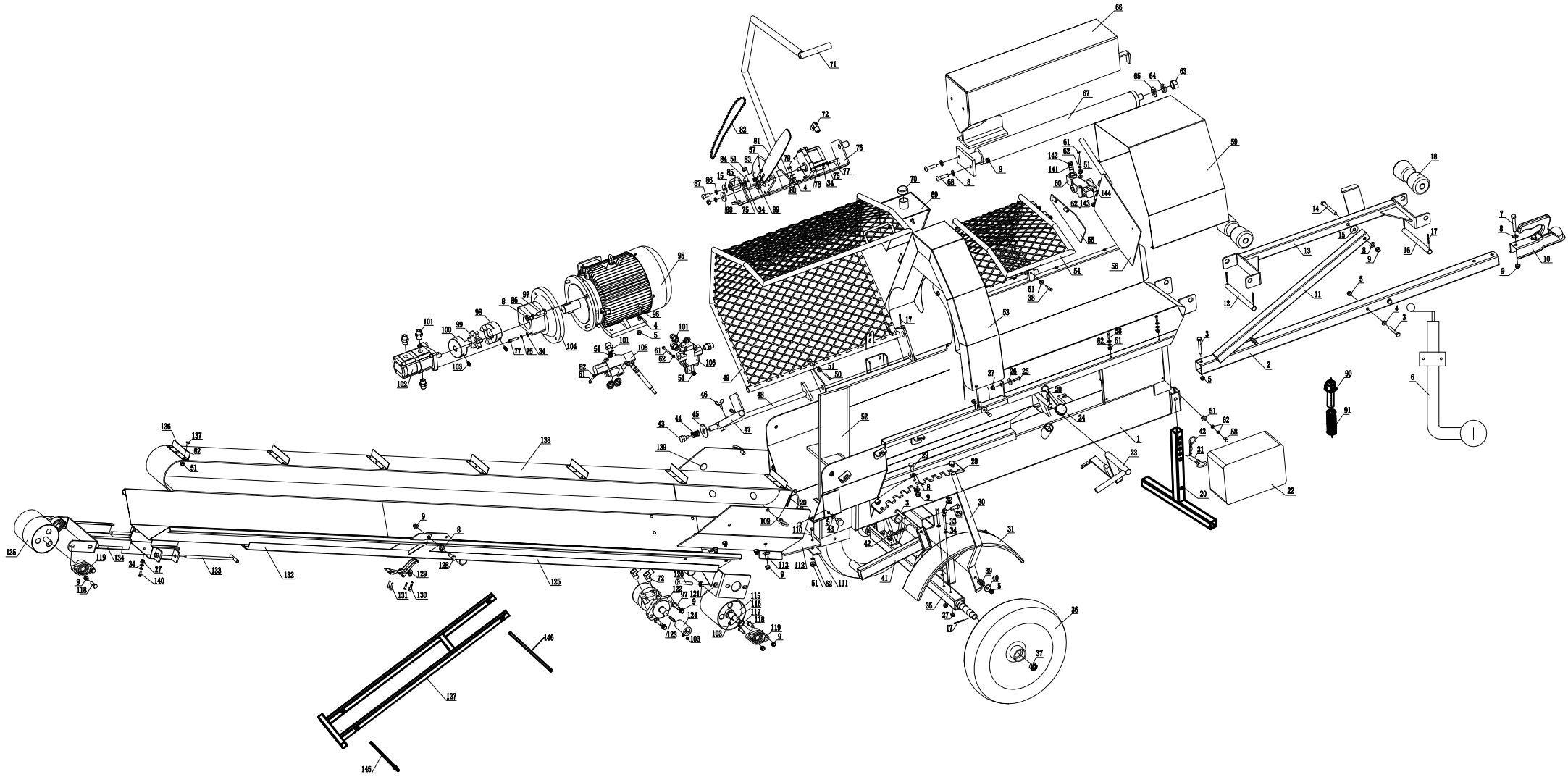


# Hawk Vedkombi 330



No	Name	Quantity	No.	Name	Quantity	No.	Name	Quantity	No.	Name
1	Main Body	1	33	MBX70 Bolt	4	65	φ24 flat washer Φ	1	102	Oil pump
2	Drawbar	1	34	Flat washer Φ8	18	66	Log pusher welding part	1	103	M8x10 set screw
3	M10X70 bolt	4	35	Axle welding part	1	67	Oil cylinder	1	104	Oil pump fixing base
4	Flat washer Φ10	9	36	Rubber wheel	2	68	M12X40 Semicircular head hexagon socket	2	105	CEBA valve
5	Self-lock nut M10	16	37	Axle nuts	2	69	lubricating oil tank welding part	1	106	CGDG2 valve
6	Manual guide wheel	1	38	M6X40 bolt	2	70	Oil filler cap	1	109	Conveyor fixed pin welding part
7	M12X70 bolt	2	39	Spring (inner diameter Φ15)	1	71	Chain saw handle welding part	1	110	carriage bolt M6×30
8	Flat washer Φ12	17	40	Φ10 spacer	1	72	Hydraulic pipe (2)	4	111	Press plate
9	Self-lock nut M12	21	41	Knife connecting tube welding part	1	73	Oil pump outer connector	2	112	Plastic sheet
10	European style cover	1	42	Spring cotter	2	76	Motor base welding part	1	113	carriage bolt M12X25 (short)
11	Roller support tube	1	43	Hopper connection plug	3	77	M8X55 hexagon screw	8	115	Roller B welding part
12	Roller shaft	1	44	Spring(inner diamete 21)	1	78	Chain Saw Oil Pump	1	116	Roller B support shaft
13	Roller welding body	1	45	Big flat washer Φ20	1	79	M10X20 bolt	2	117	Φ25 shaft ring
14	M12X100 bolt	1	46	M8X16 M8X15 Butterfly bolt	2	80	Φ10 spring washer	2	118	M12X35 bolt
15	Big flat washer Φ12	2	47	Welded base	1	81	Chain saw bar	1	119	Bearing seat FL204
16	roller shaft (2)	1	48	Welded base(1)	1	82	Saw chain 1 105 CEBA valve 1 128 Roller A welding part 1	1	120	M10X60 bolt
17	Φ3X35 cotter pin	7	49	Left guard welding part	1	83	Adjusting rivet	1	121	M10 nut
18	roller	2	50	M6X50 bolt	1	84	base	1	122	Cycloid motor
19	Outrigger welding part	1	51	M6 self-lock nut	65	85	M8X55 bolt	2	123	Flat key 8X40
20	Φ3 spring cotter	3	52	Knife welding part	1	86	φ12 spring washer	5	124	Connection set
21	Outrigger pin welding part	1	53	Chain saw guard welding part	1	87	M12X25 bolt	1	125	hopper (1) welding part
22	Distribution Box	1	54	Right guard welding part	1	88	Chain wheel cushion	1	126	Φ4 spring cotter
23	Pull rod assembly	1	55	Feed protection plate (2)	1	89	sprocket	1	127	hopper outrigger welding part
24	Fuel filler cap	1	56	Feed protection plate(1) welding part	1	90	Oil suction filter	1	128	M2X30Hexagon socket head bolts
25	M8X20 bolt	5	57	M6T60 Hexagon socket screw (full thread)	1	91	Filter screen	1	129	4003 clamp
26	Flat washer Φ8	3	58	M6X16 bolt	8	95	7.5kw electric motor	1	130	M6X16 Hexagon socket head bolts
27	M8 self-lock nut	8	59	Right guard protection plate	1	96	M10X35 bolt	4	131	M6X16 Hexagon socket head bolts
28	Wedge limit plate	1	60	Valve 2	1	97	M12X40 bolt	6	132	hopper (2) welding part
29	M12X30 nur	7	61	M6X60 bolt	6	98	Coupling (1)	1	133	Adjustment rod welding part
30	knife handle welding part	1	62	Φ6 flat washer	71	99	Coupling cushion	1	134	Adjust seat welding part
31	Fender welding part	2	63	M24 nut	1	100	Coupling (2)	1	135	Roller A welding part
32	M12 nut	8	64	Φ24 spring washer	1	101	2-G1/2 connector	8	136	Conveyor connecting board

Quantity	No.	Name	Quantity
1	137	Snap-head bolt M6X16	39
5	138	Conveyor belt (length 6800)	1
1	139	M12X35 Hexagon socket head bolts	1
1	140	M8X16 bolt	1
1	141	M10 nut	2
2	142	M10X30 bolt	1
3	143	Φ2X15 pin	5
1	144	Φ6X60 pin	4
1	145	Hopper leg shaft	1
8	146	Hopper leg shaft 1	1