



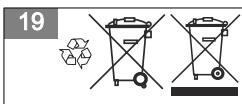
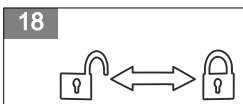
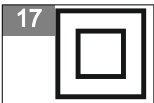
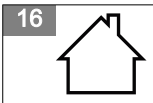
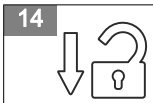
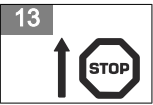
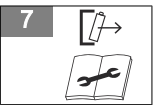
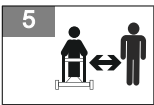
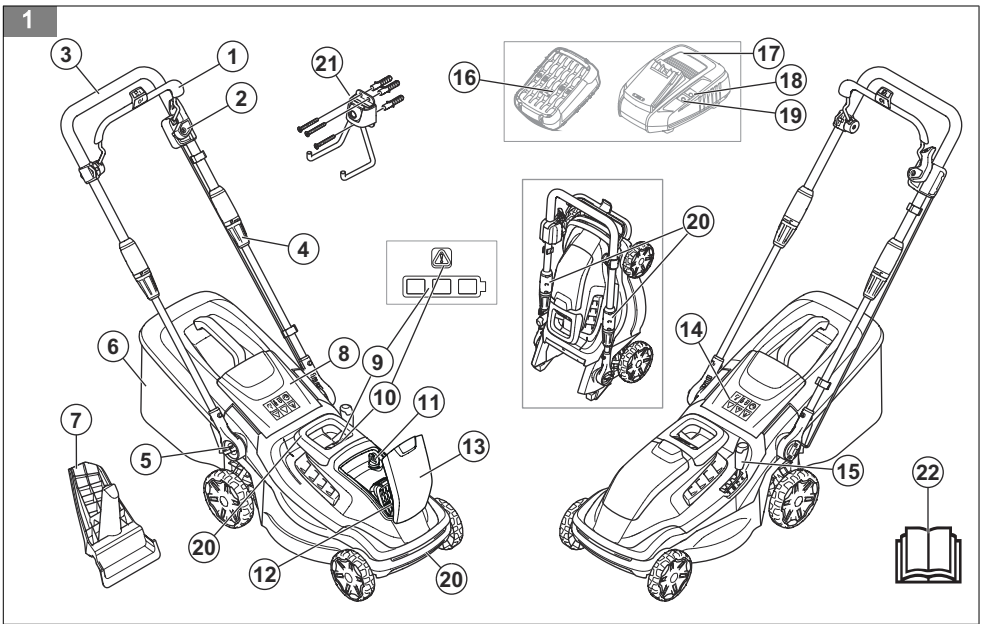
Husqvarna®



Aspire LC34-P4A



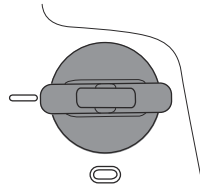
| | | |
|----|-----------------------------|---------|
| EN | Operator's manual | 7-28 |
| BG | Ръководство за експлоатация | 29-52 |
| CS | Návod k použití | 53-73 |
| DA | Brugsanvisning | 74-94 |
| DE | Bedienungsanweisung | 95-117 |
| EL | Οδηγίες χρήσης | 118-141 |
| ES | Manual de usuario | 142-164 |
| ET | Kasutusjuhend | 165-185 |
| FI | Käyttöohje | 186-206 |
| FR | Manuel d'utilisation | 207-229 |
| HR | Priručnik za korištenje | 230-250 |
| HU | Használati utasítás | 251-273 |
| IT | Manuale dell'operatore | 274-296 |
| LT | Operatoriaus vadovas | 297-318 |
| LV | Lietošanas pamācība | 319-340 |
| NL | Gebbruiksaanwijzing | 341-362 |
| NO | Bruksanvisning | 363-383 |
| PL | Instrukcja obsługi | 384-406 |
| PT | Manual do utilizador | 407-429 |
| RO | Instrucțiuni de utilizare | 430-451 |
| RU | Руководство по эксплуатации | 452-476 |
| SK | Návod na obsluhu | 477-498 |
| SL | Navodila za uporabo | 499-519 |
| SR | Priručnik za rukovaoca | 520-540 |
| SV | Bruksanvisning | 541-561 |
| TR | Kullanım kılavuzu | 562-582 |
| UK | Посібник користувача | 583-606 |



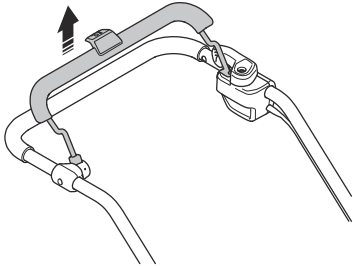
23



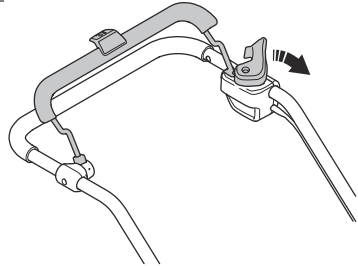
24



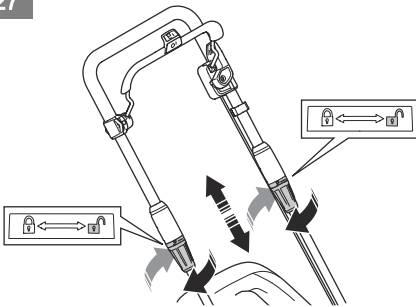
25



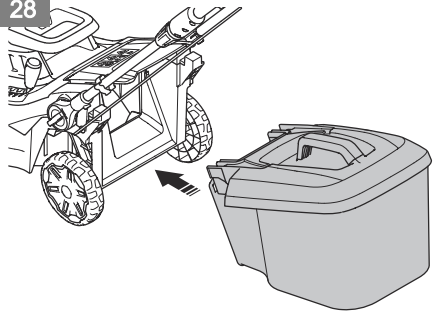
26



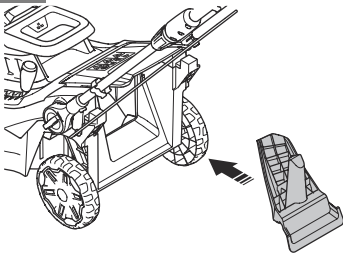
27



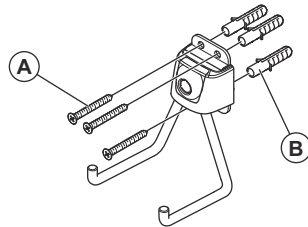
28

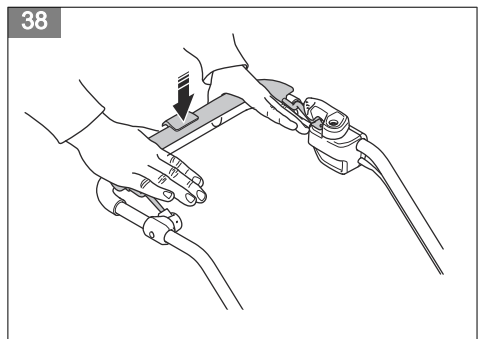
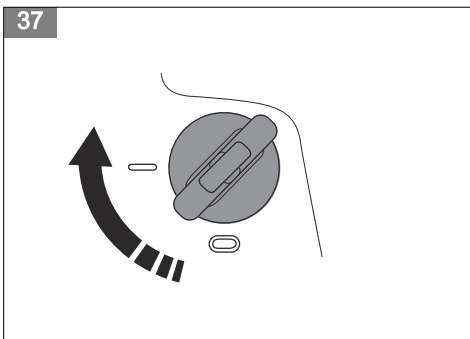
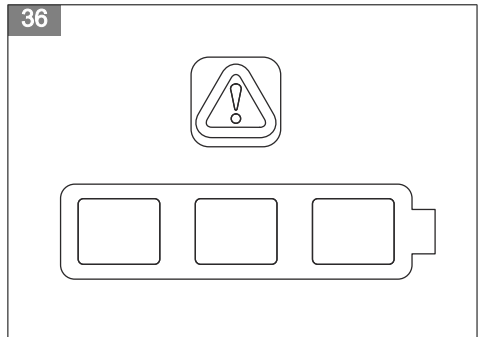
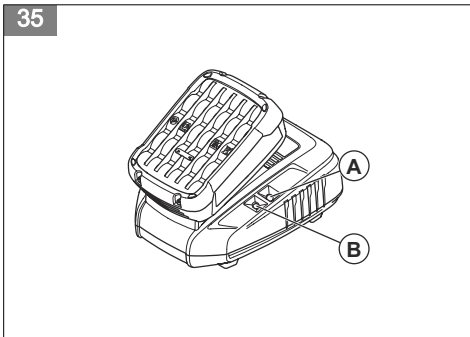
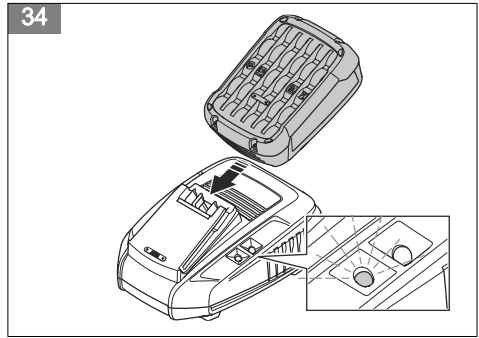
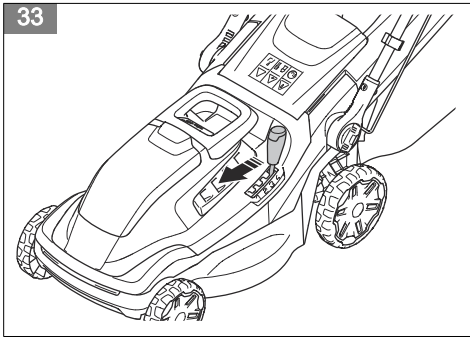
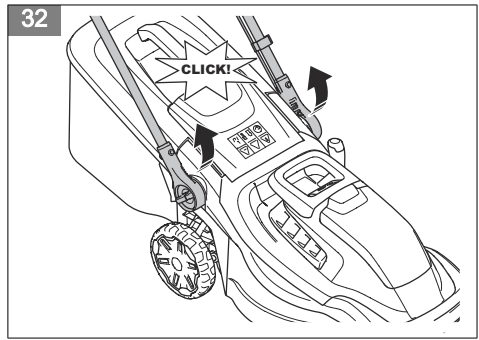
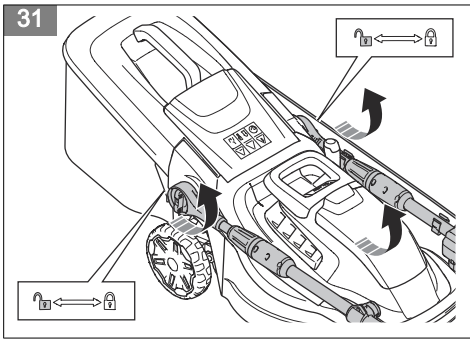


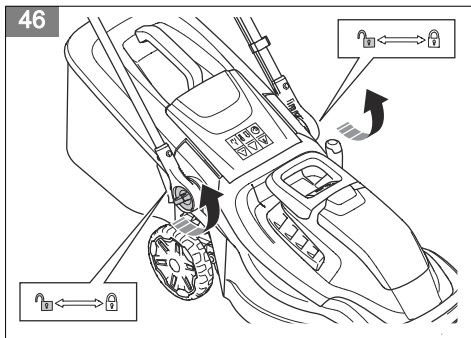
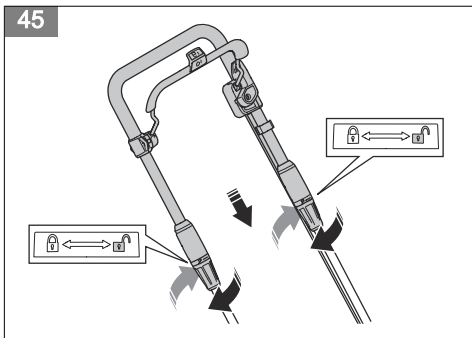
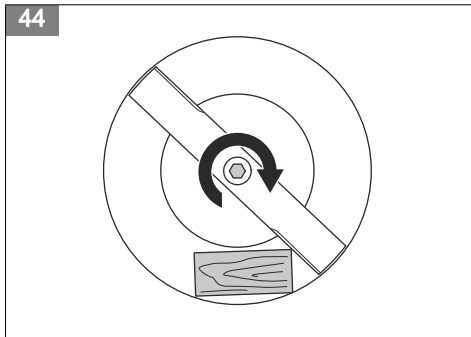
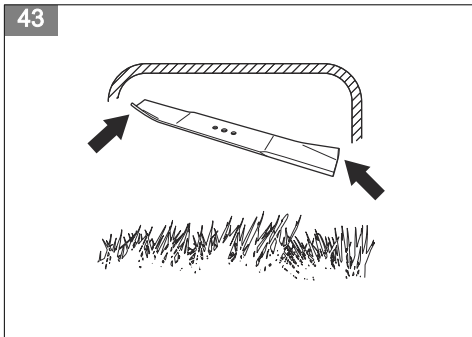
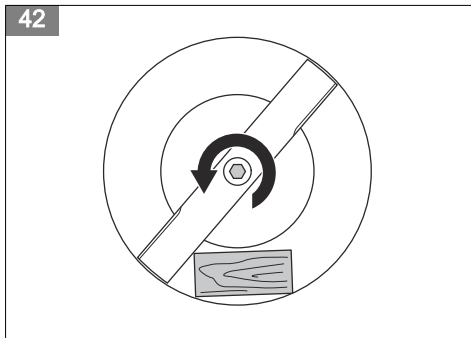
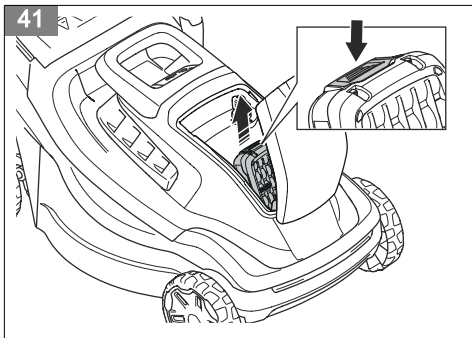
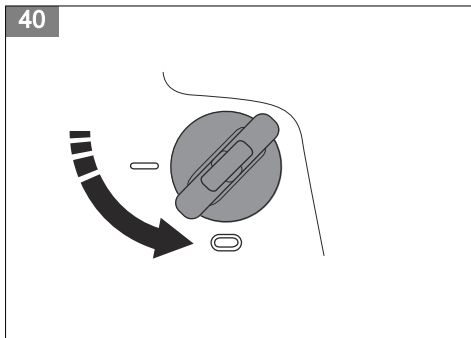
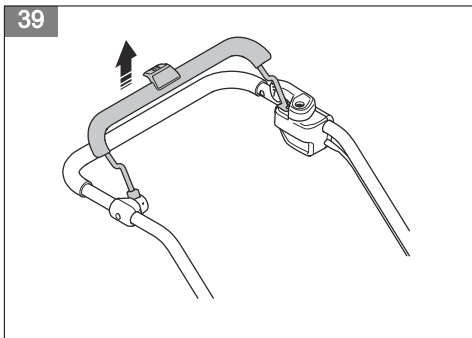
29



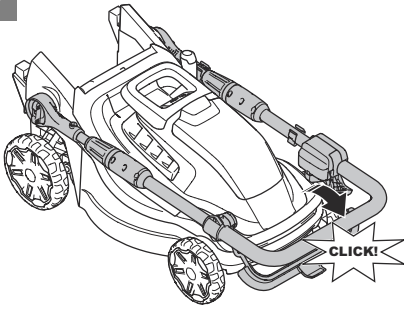
30



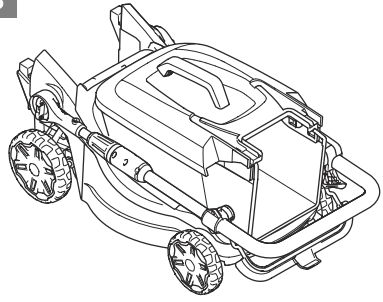




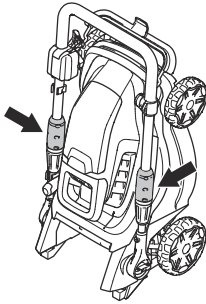
47



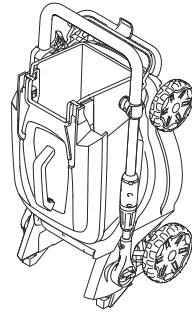
48



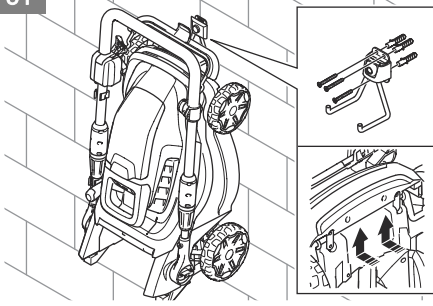
49



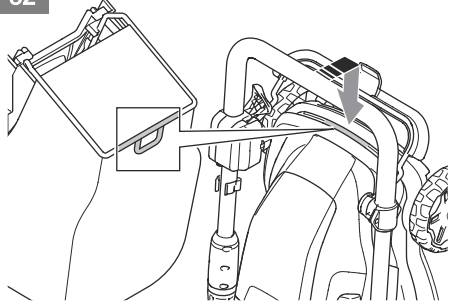
50



51



52



53



54



Contents

| | | | |
|----------------------|----|---|----|
| Introduction..... | 7 | Transportation, storage and disposal..... | 20 |
| Safety..... | 8 | Technical data..... | 22 |
| Assembly..... | 14 | Declaration of Conformity..... | 24 |
| Operation..... | 15 | Licenses..... | 26 |
| Maintenance..... | 17 | Registered trademarks..... | 28 |
| Troubleshooting..... | 18 | | |

Introduction

Product description

The product is a pedestrian-controlled rotary lawn mower. The grass is collected in a grass catcher. Remove the grass catcher to get rear discharge of the grass. Attach a mulch plug to cut the grass into fertilizer.

Intended use

Use the product to cut grass. Do not use the product for other tasks.

Quick guide

Scan the QR code for advice on how to use the product.



Product overview

(Fig. 1)

1. Motor brake handle
2. Start inhibitor
3. Handle / handlebar
4. Lock knob of the handlebar
5. Handle knobs
6. Grass catcher
7. Mulch plug
8. Rear cover
9. LED on the product
10. Warning indicator (error LED)
11. Safety key
12. Battery compartment
13. Battery lid
14. Symbols
15. Cutting height lever
16. Battery (accessory)

17. Battery charger (accessory)
18. Red LED
19. Green LED
20. Lifting points
21. Hook
22. Operator's manual

Symbols on the product

(Fig. 2) WARNING

(Fig. 3) Read the instructions.

(Fig. 4) WARNING - Beware of thrown objects.

(Fig. 5) Keep bystanders away.

(Fig. 6) WARNING – Keep hands and feet away from the blades.

(Fig. 7) WARNING – Disconnect battery before maintenance.

(Fig. 8) The product or package of the product is not domestic waste. Recycle it at a recycling station for electrical and electronic equipment.

(Fig. 9) Noise emission to the environment label as per EU and UK directives and regulations, and New South Wales legislation "Protection of the Environment Operations (Noise Control) Regulation 2017". The guaranteed sound power level of the product is specified in *Technical data on page 22* and on the label.

(Fig. 10) This attachment is in accordance with applicable EC directives.

(Fig. 11) This product conforms to applicable UK regulations.

(Fig. 12) The product is drip protected.

(Fig. 13) Release the motor brake handle to stop.

(Fig. 14) Push the motor brake handle to start the drive of the blades.

(Fig. 15) Scannable code.

(Fig. 18) Turn to lock or unlock.

Note: Other symbols/decals on the product refer to certification requirements for some markets.

Symbols on the battery and/or on the battery charger

(Fig. 19)

Recycle this product at a recycling station for electrical and electronic equipment. (Applies to Europe only)

(Fig. 20)

Use the battery only in products from POWER FOR ALL System partners.

(Fig. 21)

Protect the battery against heat, e.g. against continuous intense sunlight, fire, dirt, water and moisture. There is a risk of explosion and short-circuiting.

(Fig. 22)

(Fig. 16)

Use and keep the battery charger indoors only.

(Fig. 17)

Double insulation.

Label on the product

(Fig. 23)

DANGER – Keep hands and feet away.

Product liability

As referred to in the product liability laws, we are not liable for damages that our product causes if:

- the product is incorrectly repaired.
- the product is repaired with parts that are not from the manufacturer or not approved by the manufacturer.
- the product has an accessory that is not from the manufacturer or not approved by the manufacturer.
- the product is not repaired at an approved service center or by an approved authority.

Safety

Safety definitions

Warnings, cautions and notes are used to point out specially important parts of the manual.



WARNING: Used if there is a risk of injury or death for the operator or bystanders if the instructions in the manual are not obeyed.



CAUTION: Used if there is a risk of damage to the product, other materials or the adjacent area if the instructions in the manual are not obeyed.

Note: Used to give more information that is necessary in a given situation.

General product safety warnings



WARNING: Read all safety warnings, instructions, illustrations and specifications provided with this product. Failure to follow all instructions listed below may result in electric shock, fire and/or serious injury.

Save all warnings and instructions for future reference.

The term "product" in the warnings refers to your mains-operated (corded) product or battery-operated (cordless) product.

Work area safety

- **Keep work area clean and well lit.** Cluttered or dark areas invite accidents.
- **Do not operate the product in explosive atmospheres, such as in the presence of flammable liquids, gases or dust.** The product create sparks which may ignite the dust or fumes.
- **Keep children and bystanders away while operating the product.** Distractions can cause you to lose control.

Electrical safety

- **Product plugs must match the outlet. Never modify the plug in any way. Do not use any adapter plugs with earthed (grounded) products.** Unmodified plugs and matching outlets will reduce risk of electric shock.
- **Avoid body contact with earthed or grounded surfaces, such as pipes, radiators, ranges and refrigerators.** There is an increased risk of electric shock if your body is earthed or grounded.
- **Do not expose products to rain or wet conditions.** Water entering a product will increase the risk of electric shock.
- **Do not abuse the cord. Never use the cord for carrying, pulling or unplugging the product. Keep cord away from heat, oil, sharp edges or moving parts.** Damaged or entangled cords increase the risk of electric shock.
- **When operating a product outdoors, use an extension cord suitable for outdoor use.** Use of a cord suitable for outdoor use reduces the risk of electric shock.
- **If operating a product in a damp location is unavoidable, use a residual current device (RCD) protected supply.** Use of an RCD reduces the risk of electric shock.

Personal safety

- **Stay alert, watch what you are doing and use common sense when operating a product. Do not use a product while you are tired or under the influence of drugs, alcohol or medication.** A moment of inattention while operating products may result in serious personal injury.

- **Use personal protective equipment. Always wear eye protection.** Protective equipment such as dust mask, non-skid safety shoes, hard hat or hearing protection used for appropriate conditions will reduce personal injuries.
- **Prevent unintentional starting. Ensure the switch is in the off-position before connecting to power source and/or battery pack, picking up or carrying the product.** Carrying products with your finger on the switch or energising products that have the switch on invites accidents.
- **Remove any adjusting key or wrench before turning the product on.** A wrench or a key left attached to a rotating part of the product may result in personal injury.
- **Do not overreach. Keep proper footing and balance at all times.** This enables better control of the product in unexpected situations.
- **Dress properly. Do not wear loose clothing or jewellery. Keep your hair and clothing away from moving parts.** Loose clothes, jewellery or long hair can be caught in moving parts.
- **If devices are provided for the connection of dust extraction and collection facilities, ensure these are connected and properly used.** Use of dust collection can reduce dust-related hazards.
- **Do not let familiarity gained from frequent use of products allow you to become complacent and ignore product safety principles.** A careless action can cause severe injury within a fraction of a second.

Product use and care

- **Do not force the product. Use the correct product for your application.** The correct product will do the job better and safer at the rate for which it was designed.
- **Do not use the product if the switch does not turn it on and off.** Any product that cannot be controlled with the switch is dangerous and must be repaired.
- **Disconnect the plug from the power source and/or remove the battery pack, if detachable, from the product before making any adjustments, changing accessories, or storing products.** Such preventive safety measures reduce the risk of starting the product accidentally.
- **Store idle products out of the reach of children and do not allow persons unfamiliar with the product or these instructions to operate the product.** Products are dangerous in the hands of untrained users.
- **Maintain products and accessories. Check for misalignment or binding of moving parts, breakage of parts and any other condition that may affect the product's operation. If damaged, have the product repaired before use.** Many accidents are caused by poorly maintained products.
- **Keep cutting tools sharp and clean.** Properly maintained cutting tools with sharp cutting edges are less likely to bind and are easier to control.

- **Use the product, accessories and tool bits etc. in accordance with these instructions, taking into account the working conditions and the work to be performed.** Use of the product for operations different from those intended could result in a hazardous situation.
- **Keep handles and grasping surfaces dry, clean and free from oil and grease.** Slippery handles and grasping surfaces do not allow for safe handling and control of the product in unexpected situations.
- **Thoroughly inspect the area for wildlife where the lawnmower is to be used.** Wildlife may be injured by the lawnmower during operation.
- **Thoroughly inspect the area where the lawnmower is to be used and remove all stones, sticks, wires, bones, and other foreign objects.** Thrown objects can cause personal injury.
- **Before using the lawnmower, always visually inspect to see that the blade and the blade assembly are not worn or damaged.** Worn or damaged parts increase the risk of injury.

Battery tool use and care

- **Recharge only with the charger specified by the manufacturer.** A charger that is suitable for one type of battery pack may create a risk of fire when used with another battery pack.
- **Use products only with specifically designated battery packs.** Use of any other battery packs may create a risk of injury and fire.
- **When battery pack is not in use, keep it away from other metal objects, like paper clips, coins, keys, nails, screws or other small metal objects, that can make a connection from one terminal to another.** Shorting the battery terminals together may cause burns or a fire.
- **Under abusive conditions, liquid may be ejected from the battery; avoid contact. If contact accidentally occurs, flush with water. If liquid contacts eyes, additionally seek medical help.** Liquid ejected from the battery may cause irritations or burns.
- **Do not use a battery pack or tool that is damaged or modified.** Damaged or modified batteries may exhibit unpredictable behavior resulting in fire, explosion or risk of injury.
- **Do not expose a battery pack or tool to fire or excessive temperature.** Exposure to fire or temperature above 130 °C / 265 °F may cause explosion.
- **Follow all charging instructions and do not charge the battery pack or tool outside the temperature range specified in the instructions.** Charging improperly or at temperatures outside the specified range may damage the battery and increase the risk of fire.
- **Check the grass catcher frequently for wear or deterioration.** A worn or damaged grass catcher may increase the risk of personal injury.
- **Keep guards in place. Guards must be in working order and be properly mounted.** A guard that is loose, damaged, or is not functioning correctly may result in personal injury.
- **Keep all cooling air inlets clear of debris.** Blocked air inlets and debris may result in overheating or risk of fire.
- **While operating the lawnmower, always wear non-slip and protective footwear. Do not operate the lawnmower when barefoot or wearing open sandals.** This reduces the chance of injury to the feet from contact with the moving blade.
- **While operating the lawnmower, always wear long trousers.** Exposed skin increases the likelihood of injury from thrown objects.
- **Do not operate the lawnmower in wet grass. Walk, never run.** This reduces the risk of slipping and falling which may result in personal injury.
- **Do not operate the lawnmower on excessively steep slopes.** This reduces the risk of loss of control, slipping and falling which may result in personal injury.
- **When working on slopes, always be sure of your footing, always work across the face of slopes, never up or down and exercise extreme caution when changing direction.** This reduces the risk of loss of control, slipping and falling which may result in personal injury.
- **Use extreme caution when reversing or pulling the lawnmower towards you. Always be aware of your surroundings.** This reduces the risk of tripping during operation.
- **Do not touch blades and other hazardous moving parts while they are still in motion.** This reduces the risk of injury from moving parts.
- **When clearing jammed material or cleaning the lawnmower, make sure all power switches are off and the power cord is disconnected.** Unexpected operation of the lawnmower may result in serious personal injury.

Service

- **Have your product serviced by a qualified repair person using only identical replacement parts.** This will ensure that the safety of the product is maintained.
- **Never service damaged battery packs.** Service of battery packs should only be performed by the manufacturer or authorized service providers.

Lawnmower safety warnings

- **Do not use the lawnmower in bad weather conditions, especially when there is a risk of lightning.** This decreases the risk of being struck by lightning.

Residual current device

- Use a residual current device with a tripping current of maximum 30 mA.

General safety instructions



WARNING: Read the warning instructions that follow before you use the product.

- This product is dangerous if used incorrectly or if you are not careful. Injury or death can occur if you do not obey the safety instructions.
 - This product produces an electromagnetic field during operation. This field may under some circumstances interfere with active or passive medical implants. To reduce the risk of serious or fatal injury we recommend persons with medical implants to consult their physician and the medical implant manufacturer before operating this product.
 - Always be careful and use your common sense. If you are not sure how to operate the product in a special situation, stop and speak to your Husqvarna dealer before you continue.
 - Keep in mind that the operator will be held responsible for accidents that involve other persons or their property.
 - Keep the product clean. Make sure that you can clearly read signs and decals.
 - Never allow children or people unfamiliar with these instructions to use the appliance. Local regulations may restrict the age of the operator.
 - Always monitor a person, with decreased physical capacity or mental capacity, that uses the product. A responsible adult must be there at all times.
 - Do not use the product if you are tired, ill, or under the influence of alcohol, drugs or medicine. This has a negative effect on your vision, alertness, coordination and judgment.
 - Do not use the product if it is defective.
 - Do not change this product or use it if it is possible that it has been changed by others.
- Make sure that the blade does not hit objects such as stones and roots. This can do damage to the blade and bend the motor shaft. A bent axle causes heavy vibration and a very high risk that the blade becomes loose.
 - If the blade hits an object or if vibrations occur, stop the product immediately. Stop the motor, turn the safety key to 0 and remove the battery. Wait until moving parts stop. Examine the product for damages. Tighten loose parts. Repair damages and replace damaged parts. Let an approved service agent do the repair.
 - Never attach the motor brake handle permanently to the handle when the motor is started.
 - Put the product on a stable, flat surface and start it. Make sure that the blade does not hit the ground or other objects.
 - Always stay behind the product when you operate it.
 - Let all the wheels stay on the ground and keep 2 hands on the handle when you operate the product. Keep your hands and feet away from the rotating blades.
 - Do not tilt the product when you start the motor or during operation of the product.
 - Be careful when you pull the product rearward.
 - Never lift up the product when the motor is started. If you must lift the product, first stop the motor, turn the safety key to 0 and remove the battery.
 - Do not walk rearward when you operate the product.
 - Stop the motor when it is necessary to tilt the product for transportation or before you move across areas without grass, for example paths made of gravel, stone and asphalt.
 - Do not run with the product when the motor is started. Always walk when you operate the product.
 - Stop the motor before you change the cutting height. Never make adjustments with the motor started.
 - Never let the product stay out of view with the motor started. Stop the motor and make sure that the cutting equipment does not rotate.
 - The vibrations in the product during operation can be different from the declared vibration value in *Technical data on page 22*. The difference is caused by variations in how the product is used. If you operate the product frequently or for long periods of time, take breaks regularly to prevent injury from vibrations.

Work safety



WARNING: Read the warning instructions that follow before you use the product.

- Use this product to cut grass lawns only. It is not permitted to use it for other tasks.
- Use personal protective equipment. Refer to *Personal protective equipment on page 11*.
- Make sure that you know how to stop the motor quickly in an emergency.
- Do not operate the product in rain or wet conditions. The risk of electrical shock increases if water enters the product.
- Do not operate the product unless the blade and all covers are attached correctly. An incorrectly attached blade can come loose and cause personal injury.

Safety instructions for operation

Personal protective equipment



WARNING: Read the warning instructions that follow before you use the product.

- Personal protective equipment cannot fully prevent injury but it decreases the degree of injury if an

accident does occur. Let your dealer help you select the right equipment.

- Use heavy-duty slip-resistant boots or shoes. Do not use open shoes or go with bare feet.
- Use heavy, long pants.
- Use protective gloves when necessary, for example when you attach, examine or clean the cutting equipment.
- We recommend to use hearing protection.

Safety devices on the product



WARNING: Read the warning instructions that follow before you use the product.

- Do not use a product with defective safety devices.
- Do not remove or do modifications to safety devices.
- Do a check of the safety devices regularly. If the safety devices are defective, speak to your Husqvarna service agent.

To do a check of the cutting cover

The cutting cover decreases vibrations in the product and decreases the risk of injury from the blade.

- Examine the cutting cover to make sure that there are no damages such as cracks.

To do a check of the safety key

The safety key is below the battery lid. The safety key connects the battery that supplies the motor with power.

- Start and stop the motor to do a check of the safety key.
- If the safety key operates correctly, the motor can only start when the safety key is in position 1. (Fig. 24)

To do a check of the motor brake handle

The motor brake handle stops the motor. When the motor brake handle is released, the motor stops.

- Start the product. Refer to *To start the product on page 16*.
- Release the motor brake handle. (Fig. 25)
- Make sure that the product stops. If the motor does not stop in 3 seconds, let an approved Husqvarna service agent adjust the motor brake.

To do a check of the start inhibitor

Do a check of the start inhibitor to make sure that it prevents operation of the motor.

1. Push the motor brake handle in the direction of the handlebar. The start inhibitor stops the movement.
2. Push the start inhibitor out. (Fig. 26)
3. Release the start inhibitor and make sure that it goes back to its initial position.

Battery safety



WARNING: Read all the safety and general instructions. Failure to observe the safety and general instructions may result in electric shock, fire and / or serious injury. **Keep all the safety information and general instructions for future reference.**

- **These safety instructions apply only to 18V Li-ion rechargeable batteries for the POWER FOR ALL system.**
- **Use the rechargeable battery only in products from POWER FOR ALL System partners.** 18 V rechargeable batteries labelled with POWER FOR ALL are fully compatible with the following products:
 - All products of the 18V POWER FOR ALL battery system.
 - All 18 V products from POWER FOR ALL System partners.
- **Observe the battery recommendations in the operating manual of your product.** Only this way can the rechargeable battery and the product be operated without danger and the rechargeable batteries protected from hazardous overloading.
- **Only charge the batteries using chargers recommended by the manufacturer or by POWER FOR ALL system partners.** A charger that is suitable for one type of battery may pose a fire risk when used with a different battery.
- **The battery is supplied partially charged.** To ensure full battery capacity, fully charge the battery in the charger before using your power tool for the first time.
- **Keep battery packs out of the reach of children.**
- **Do not open the battery.** There is a risk of shortcircuiting.
- **In case of damage and improper use of the battery, vapours may be emitted. The battery can set alight or explode.** Ensure the area is well ventilated and seek medical attention should you experience any adverse effects. The vapours may irritate the respiratory system.
- **If used incorrectly or if the battery is damaged, flammable liquid may be ejected from the battery. Contact with this liquid should be avoided. If contact accidentally occurs, rinse off with water. If the liquid comes into contact with your eyes, seek additional medical attention.** Liquid ejected from the battery may cause irritation or burns.
- **If the battery is damaged liquid can be ejected and cover nearby surfaces. Check affected parts.** Clean these parts or change them if necessary.
- **Do not short-circuit the battery pack. When the battery pack is not in use, keep it away from other metal objects, like paper clips, coins, keys, nails, screws or other small metal objects, that can make a connection from one terminal to another.** Shorting

the battery terminals together may cause burns or a fire.

- **The battery can be damaged by pointed objects such as nails or screwdrivers or by force applied externally.** An internal short circuit may occur, causing the battery to burn, smoke, explode or overheat.
- **Never service damaged battery packs.** Service of battery packs should only be performed by the manufacturer or authorized service providers.
- **Protect the battery against heat, e. g. against continuous intense sunlight, fire, dirt, water and moisture.** There is a risk of explosion and short-circuiting.
- **Use the battery in the product only when the ambient temperature is between 0 °C – +40 °C.**
- **Only store the battery at an ambient temperature between -20 °C – +50 °C.** Do not leave the battery in your car in the summer, for example. At temperatures of < 0 °C some devices may experience a loss of power.
- **Only charge the battery at an ambient temperature which is between 0 °C – +35 °C. Only charge the rechargeable battery with a USB cable at an ambient temperature which is between +10 °C – +35 °C.** Charging outside of this temperature range can increase the risk of damage to the battery and pose a fire hazard.

Battery charger safety



WARNING: Read all the safety and general instructions. Failure to observe the safety and general instructions may result in electric shock, fire and / or serious injury. **Store these instructions in a safe place.** Only use the charger if you can fully evaluate all functions and carry them out without restrictions, or if you have received corresponding instructions.

- **This charger is not intended for use by children or persons with physical, sensory or mental limitations or a lack of experience or knowledge. This charger can be used by children aged 8 or older and by persons who have physical, sensory or mental limitations or a lack of experience or knowledge if a person responsible for their safety supervises them or has instructed them in the safe operation of the charger and they understand the associated dangers.** Otherwise, there is a risk of operating errors and injuries.
- **Supervise children during use, cleaning and maintenance.** This will ensure that children do not play with the charger.
- **Only charge 18V POWER FOR ALL system batteries with a capacity of 1.5 Ah. The battery voltage must match the battery charging voltage of the charger. Do not charge any non-rechargeable**

batteries. Otherwise there is a risk of fire and explosion.

- **Only use the charger in enclosed spaces and do not expose it to wet conditions.** Water entering a power tool will increase the risk of electric shock.
- **Keep the charger clean.** Dirt poses a risk of electric shock.
- **Always check the charger, cable and plug before use. Stop using the charger if you discover any damage. Do not open the charger yourself, and have it repaired only by Husqvarna or by an authorised after-sales service centre using only original replacement parts.** Damaged chargers, cables and plugs increase the risk of electric shock.
- **Do not operate the charger on an easily ignited surface (e. g. paper, textiles, etc.) or in a flammable environment.** There is a risk of fire due to the charger heating up during operation.
- **Do not cover the ventilation slots of the charger.** Otherwise, the charger may overheat and no longer function properly.
- **Recharge only with the charger specified by the manufacturer.** A charger that is suitable for one type of battery pack may create a risk of fire when used with another battery pack.
- **In case of damage and improper use of the battery, vapours may also be emitted.** Ensure the area is well ventilated and seek medical attention should you experience any adverse effects. The vapours may irritate the respiratory system.
- **Under abusive conditions, liquid may be ejected from the battery. Contact with this liquid should be avoided. If contact accidentally occurs, rinse off with water. If the liquid comes into contact with your eyes, seek additional medical attention.** Liquid ejected from the battery may cause irritation or burns.
- **Products sold in GB only:** Your product is fitted with an BS 1363/A approved electric plug with internal fuse (ASTA approved to BS 1362). If the plug is not suitable for your socket outlets, it should be cut off and an appropriate plug fitted in its place by an authorised customer service agent. The replacement plug should have the same fuse rating as the original plug. The severed plug must be disposed of to avoid a possible shock hazard and should never be inserted into a mains socket elsewhere.

Safety instructions for maintenance



WARNING: Read the warning instructions that follow before you use the product.

- To prevent accidental start during maintenance, turn the safety key to 0 and remove the battery. Wait at minimum 5 seconds before you start the maintenance.
- Only do the maintenance work written in this operator's manual. More extensive work and professional repairs must be done by an approved

service agent. Speak to your nearest service agent for more information.

- Do the maintenance work correctly to increase the lifetime of the product and decrease the risk of accidents.
- Replace damaged, worn or broken parts. Always use original spare parts from the manufacturer. Other spare parts can cause damage to the product and increase the risk of accidents.
- To prevent injury, do not remove or do modifications to safety devices.
- Put on heavy duty gloves when you use the cutting equipment. The blade is very sharp and cuts can easily occur.

- Keep the cutting edges sharp and clean for the best and safest performance.
- Let your service agent regularly examine the product and make necessary adjustments and repairs.
- Obey the instructions for how to change accessories. Only use accessories from the manufacturer.
- When not in operation, keep the product, battery and battery charger apart in a dry, indoor and locked area. Make sure that children and persons that are not approved cannot get access to the product, battery or battery charger.

Assembly

Introduction



WARNING: Before you assemble the product, read the safety chapter.



WARNING: To prevent accidental start during assembly, turn the safety key to 0, remove the battery and wait at minimum 5 seconds.

To adjust the handle height

The product has free handle height adjustment span. The handle height can be set to a applicable height between 2 set points.

1. Set the product in operation position. Refer to *To set the product in operation position on page 15*.
2. Turn the lock knobs on the handlebars counterclockwise. (Fig. 27)
3. Pull the handlebars to a suitable position.
4. Put the 2 handlebars in level.



CAUTION: If the handlebars are not in level, the product will be damaged.

5. Turn the lock knobs on the handlebars clockwise.
6. Tighten the lock knobs fully.

To install the grass catcher

1. Lift the rear cover.
2. Remove the mulch plug.

3. Attach the grass catcher to the top edge of the chassis.
4. Put the lower part of the grass catcher against the grass discharge channel. (Fig. 28)



CAUTION: Make sure that the grass catcher is sealed correctly to the chassis of the product.

To install the mulch plug

1. Lift up the rear cover and remove the grass catcher.
2. Push the mulch plug into the discharge channel until you hear a click. (Fig. 29)

To install the hook on the wall

- Install the hook indoors.
- Keep the hook out of sunlight and in ambient temperature of -10 °C to +70 °C.
- Install the hook on a drywall, wood or concrete wall.



CAUTION: Make sure that the wall can hold loads of minimum 30 kg.

- Install the hook on the wall with the 3 screws (A). Use wall plugs (B) if it is necessary. (Fig. 30)



CAUTION: Make sure that the screws are applicable for your wall type.

- Speak to your Husqvarna service agent for information about available storage accessories for your product.

Operation

Introduction



WARNING: Before you operate the product, you must read and understand the safety chapter.

Husqvarna Connect

Husqvarna Connect is a free app for your mobile device. The Husqvarna Connect app gives extended functions for your Husqvarna product:

- Extended product information.
- Information about, and help with, product parts and servicing.

To start to use Husqvarna Connect

1. Download the Husqvarna Connect app on your mobile device.
2. Register in the Husqvarna Connect app.
3. Follow the instruction steps in the Husqvarna Connect app to connect and register the product.

Note: Husqvarna Connect app is not available for download in all markets. Speak to your servicing dealer for more information.

To set the product in operation position

1. Turn the handle knobs to the unlocked position. (Fig. 31)
2. Fold the handle up until you hear a click. (Fig. 32)



CAUTION: Make sure that there is not too much tension in the cables. Too much tension can cause damage to the cable if the handle is folded into transport position.



WARNING: Make sure that the handle is fully folded up and in locked position.

3. Adjust the handle height. Refer to *To adjust the handle height on page 14*.

To set the cutting height

1. Move the cutting height lever rearward to increase the cutting height.
2. Move the cutting height lever forward to decrease the cutting height. (Fig. 33)



CAUTION: Do not set the cutting height too low. The blades can hit the ground if the surface of the lawn is not level.

Battery



WARNING: Before you use the battery, you must read and understand the safety chapter. You must also read and understand the operator's manual for the battery and the battery charger.

Keep the battery and the battery charger in correct ambient temperatures.

| | Ambient temperature |
|---|---------------------|
| Operation of the battery in the product | 0 °C – +40 °C |
| Charging of the battery | 0 °C – +35 °C |

To charge the battery

Charge the battery before the first use.

Note: The charging process is only possible when the temperature of the battery is within the permitted charging temperature range (0–45 °C).

1. Connect the power cord for the battery charger in a grounded mains.



CAUTION: Make sure that the mains has the correct voltage and frequency.

2. Put the battery in the battery charger. The battery is connected to the battery charger when the green LED flashes. (Fig. 34)
3. The battery is fully charged when the green LED on the battery charger is on. Charge the battery for maximum 24 hours.
4. Disconnect the battery charger from the mains.



CAUTION: Do not pull the power cord.

5. Remove the battery from the battery charger.

Battery status LED on the battery charger

The red LED (A) and the green LED (B) on battery charger show the battery status. Refer to *Troubleshooting of the battery charger on page 18*.

(Fig. 35)

| LED | Battery status |
|--------------------------------|---|
| The green LED flashes quickly. | The battery is charging. |
| The green LED flashes slowly. | The battery is 80% charged. |
| The green LED is on. | The battery is fully charged. |
| The red LED is on. | Refer to <i>Troubleshooting of the battery charger on page 18</i> . |
| The red LED flashes quickly. | Refer to <i>Troubleshooting of the battery charger on page 18</i> . |

Battery status LED on the product

When the battery is installed in the product, the LEDs on the product show the battery status.

(Fig. 36)

| LED | Battery status |
|-------------------------|--|
| LED 1, 2 and 3 are lit. | Fully charged. |
| LED 1 and 2 are lit. | Sufficiently charged |
| LED 1 is lit. | The battery power is low. |
| LED 1 flashes. | The battery is empty. The battery status indicator flashes. Charge the battery. Refer to <i>To charge the battery on page 15</i> . |

To start the product

1. Open the battery lid.
2. Put a charged battery in the battery holder.
3. Turn the safety key to 1. (Fig. 37)
4. Stay behind the product.
5. Loosen the start inhibitor. (Fig. 36)
6. Push the motor brake handle in the direction of the handlebar. (Fig. 38)

High load function

When the product cuts long or wet grass, the motor automatically increases rpm. The motor goes back to standard mode when high load is not necessary.

Motor stalling

During operation, the blade and motor can temporarily stop because of obstacles such as grass blockage below the cutting cover. Refer to *To clean the product on page 17*.



WARNING: Before a check of the cutting cover, release the motor brake handle, turn the safety key to 0, remove the battery and wait for a minimum of 5 seconds. There is a risk of injury if the obstacle is removed and the product accidentally starts.

To stop the product



WARNING: Turn the safety key to 0 before you let the product out of view.

1. Release the motor brake handle to stop the motor. (Fig. 39)
2. Open the battery lid and turn the safety key to 0. (Fig. 40)
3. To remove the battery, push the release button and pull out the battery. (Fig. 41)
4. Charge the battery if it is weak. For more information, refer to *To charge the battery on page 15*.

To get a good result

- Always use a sharp blade. A blunt blade gives an irregular result and the cut surface of the grass becomes yellow. A sharp blade also uses less energy than a blunt blade.
- Do not cut more than $\frac{1}{3}$ of the length of the grass. Cut first with the cutting height set high. Examine the result and lower the cutting height to an applicable level. If the grass is very long, drive slowly and cut 2 times if necessary.
- Cut in different directions each time to prevent stripes in the lawn.
- Keep the cutting cover clean. Buildup from grass and dirt on the inner side of the cutting cover can decrease the cutting result. Refer to *To clean the product on page 17*.

Maintenance

Introduction



WARNING: Before you do maintenance, you must read and understand the safety chapter.

For all servicing and repair work on the product, special training is necessary. We guarantee the availability of professional repairs and servicing. If your dealer is not a service agent, speak to them for information about the nearest service agent.

For more detailed information, refer to www.husqvarna.com.

Maintenance schedule

The maintenance intervals are calculated from daily use of the product. The intervals change if the product is not used daily.

For maintenance identified with * see instructions in *Safety on page 8*.

| | Each use | Monthly | Each season |
|---|----------|---------|-------------|
| Do a general inspection. | X | | |
| Clean the product. | X | | |
| Do a check of the start inhibitor. * | X | | |
| Make sure that the safety devices on the product are not defective. * | X | | |
| Examine the cutting equipment. | X | | |
| Examine the cutting cover. * | X | | |
| Do a check of the motor brake handle. * | X | | |
| Examine the battery for damage. | X | | |
| Do a check of the battery charge. | X | | |
| Make sure that the release button on the battery operates correctly and that the battery locks into the product. | X | | |
| Examine the battery charger for damage and make sure that it operates correctly. | | X | |
| Examine the connections between the battery and the product. Also examine the connection between the battery and the battery charger. | | | X |

To do a general inspection

- Make sure that the nuts and screws on the product are tightened.
- Make sure that the cables on the product are not in a position where they can get damaged.

To clean the product

- Clean plastic parts with a clean and dry cloth.
- Do not use water to clean the product. Water can enter the battery or the motor and cause short circuit or damage to the product.
- Do not use a high pressure washer to clean the product.
- Do not flush water directly on the motor.
- Use a brush to remove leaves, grass and dirt.

To clean the battery and the battery charger



WARNING: Do not clean the battery or the battery charger with water.



WARNING: Do not use any chemical substances to clean the battery.

- Make sure that the battery and the battery charger are clean and dry before you put the battery into the battery charger.
- Clean the battery terminals with compressed air or use a soft and dry cloth.

- Clean the surfaces of the battery and the battery charger with a soft and dry cloth.

To examine the cutting equipment



WARNING: To prevent accidental start, turn the safety key to 0, remove the battery and wait a minimum 5 seconds.



WARNING: Use protective gloves when you do maintenance on the cutting equipment. The blade is very sharp and cuts can easily occur.

1. Examine the cutting equipment for damage or cracks. Always replace a damaged cutting equipment.
2. Look at the blade to see if it is damaged or blunt.

Note: It is necessary to balance the blade after it is sharpened. Let a service center sharpen, replace and balance the blade. If you hit an obstacle that causes the product to stop, replace the damaged blade. Let the service center estimate if the blade can be sharpened or must be replaced.

To replace the blade

Refer to *Technical data on page 22* for the correct type of blade.



WARNING: Lock the blade with a block of wood to prevent injury to fingers when

you replace the blade. The blade can be moved when the motor is off and fingers can become trapped between the blade and stationary parts.

1. Lock the blade with a block of wood. (Fig. 42)
2. Remove the blade bolt.
3. Remove the blade.
4. Examine the blade support and blade bolt to see if there are damages.
5. Examine the motor shaft to make sure that it is not bent.
6. When you attach the new blade, point the angled ends of the blade in the direction of the cutting cover. (Fig. 43)
7. Make sure that the blade is aligned with the center of the motor shaft.
8. Lock the blade with a block of wood. Attach the spring washer and tighten the bolt and washer with a torque of 23-28 Nm. (Fig. 44)
9. Pull the blade around by hand and make sure that it turns freely.



WARNING: Use heavy duty gloves. The blade is very sharp and cuts can easily occur.

10. Start the product to do a test of the blade. If the blade is not correctly attached, there is vibration in the product or the cutting result is unsatisfactory.

Troubleshooting

Troubleshooting of the battery charger

| LED on the battery charger | Cause | Solution |
|--|--|---|
| The green LED is on and the red LED flashes. | The battery is not correctly installed in the battery charger. | Remove the battery from the charger and install the battery in the battery charger again. |
| | The battery connectors are dirty. | Clean the battery connectors. |
| | The charger has identified an internal error. | Ensure that all batteries are fully inserted. Remove the mains plug and reinsert. If the error occurs again, have the charger checked by an authorised after-sales service centre for Husqvarna products. |
| | The battery is defective. | Replace the battery. |
| The red LED is on and the green LED is off. | The battery temperature is outside of the charging range. | Wait until the battery temperature is back within the permitted charging temperature range (0-45°C). |

| LED on the battery charger | Cause | Solution |
|--|--|---|
| The green LED and the red LED are off. | The battery charger is not correctly connected to the mains outlet. | Connect the battery charger to a mains outlet. |
| | Faulty mains outlet. | Connect the battery charger to the voltage and frequency that is specified on the rating plate. |
| | The battery charger cable is defective. | Speak to an approved service agent. |
| | The battery charger is defective. | |
| Other errors. | If other errors occur, make sure that the product is off, remove the battery and speak to an approved service agent. | |

Troubleshooting of the lawn mower

The warning indicator (error LED) is found at the rear of the product behind the battery lid.

| Problem | Error LED (number of flashes) | Cause | Solution |
|--|-------------------------------|--|---|
| Error LED flashes. The product does not operate correctly. | 5 | The blade is blocked. | Turn the safety key to 0 to prevent accidental start. Remove the battery and wait a minimum of 5 seconds. Remove possible obstacles and make sure that the blade can rotate freely. If the problem continues, speak to an approved service agent. |
| | | The motor speed drops too much, and the motor stops. | Increase the cutting height. Refer to <i>To set the cutting height on page 15.</i> |
| | 10 | The motor control is too hot. | Stop the motor and wait until it has become cool. |

| Problem | Error LED (number of flashes) | Cause | Solution |
|---------------------------------------|---|--|---|
| Error LED flashes. The product stops. | 22 | The battery temperature is too high because the temperature in the work environment is too high. | Remove the battery from the machine and wait for it to cool down before starting the machine again. Make sure that the ambient temperature is correct. Use the battery in temperatures between 0°C - +40°C. If the problem continues, speak to an approved service agent. |
| | | The battery temperature is too high because there is overload in the motor | Increase the cutting height. Refer to <i>To set the cutting height on page 15</i> . If the problem continues, speak to an approved service agent. |
| | 0 | Battery connector failure. | Examine the battery connector. |
| | 3 | There is overload in the motor. | Increase the cutting height. Refer to <i>To set the cutting height on page 15</i> . |
| | 9 | Battery error or no signal from battery. | Put the battery in the product correctly and examine the battery connector. If the error LED on the battery flashes, refer to <i>Troubleshooting of the battery charger on page 18</i> . If the problem continues, speak to an approved service agent. |
| | 8 | The battery is weak. | Charge the battery. Refer to <i>To charge the battery on page 15</i> . |
| | 12 | Incorrect start procedure. The motor brake handle has been engaged before the motor starts. | Release the motor brake handle and wait approximately 5 seconds. Push the motor brake handle down again to start the product. |
| Other errors. | If other errors occur, turn the safety key to 0, remove the battery and speak to an approved service agent. | | |

Transportation, storage and disposal

Introduction



WARNING: To prevent accidental start during transport and storage turn the safety key to 0, remove the battery and wait a minimum of 5 seconds.

To set the product in transport position

1. Remove the grass catcher and make sure that the grass catcher is empty.
2. Turn the lock knobs on the handle counterclockwise to unlocked position. (Fig. 45)
3. Push the handle in the direction of the rear cover.
4. Turn the lock knobs on the handle clockwise to locked position.

5. Turn the handle knobs to the unlocked position. (Fig. 46)

6. Fold the handle down until you hear a click. (Fig. 47)

Refer to *To set the product in storage position on page 21* to store the product.

Transportation

- The Dangerous Goods Legislation requirements apply to the contained Li-ion batteries.
- For commercial transports special requirements on package and labels must be obeyed.
- Make sure that you obey the regulations for dangerous material when you prepare the product for transport. Local regulations can apply.
- Always remove the battery for transport.

- Put tape on the battery connectors and make sure that the battery cannot move around during transport.
- Attach the product during transport.

Storage

- Before storage, let the product become cool.
- Always remove the battery for storage.
- To prevent accidents, make sure that the battery is not connected to the product during storage.
- Keep the battery charger in a closed and dry space.
- Keep the battery and the battery charger in a dry space where there is no moisture or frost.
- Disconnect the battery from the battery charger during storage.
- Do not keep the battery where static electricity can occur. Do not keep the battery in a metal box.
- Keep the product where the ambient temperature is between -20 °C and +50 °C.
- Keep the battery where the ambient temperature is between -20 °C and +50 °C and out of sunlight.
- Store the battery charger in a dry, enclosed and frost-free place.
- Make sure that the battery is clean and charged before you put it in storage for long periods.
- Keep the product, battery and battery charger in a locked area out of reach for children and not approved persons.
- Clean the product and make sure that the grass catcher is empty.
- Do the maintenance procedures given in this operator's manual. Refer to *Maintenance on page 17*.
- Do a complete servicing before you put the product in storage for a long time.

To set the product in storage position



WARNING: To prevent accidental start during transport and storage turn the safety key to 0, remove the battery and wait a minimum of 5 seconds.

1. Remove the battery.
2. Set the product in transport position. Refer to *To set the product in transport position on page 20*.
3. Move the product to the storage location.

To store the product horizontally on the ground

1. Set the product in storage position. Refer to *To set the product in storage position on page 21*.
2. Attach the grass catcher. Refer to *To attach the grass catcher on page 21*.
3. Store the product horizontally on the ground. (Fig. 48)

To store the product vertically on the ground

1. Set the product in storage position. Refer to *To set the product in storage position on page 21*.
2. Lift the product by the lifting points on the handle and put the product vertically on level surface. (Fig. 49)



WARNING: Do not lift the product by the cutting cover. The blade is very sharp and cuts can easily occur.

3. Attach the grass catcher. Refer to *To attach the grass catcher on page 21*.
4. Make sure that the product is stable and that the 2 support legs touch the floor.
5. Store the product vertically on the ground. (Fig. 50)

To store the product vertically on the supplied hook



WARNING: Only hang the product on the wall with the supplied hook.

1. Install the supplied hook. Refer to *To install the hook on the wall on page 14*.
2. Set the product in storage position. Refer to *To set the product in storage position on page 21*.
3. Lift the product by the lifting points on the handle. (Fig. 49)



WARNING: Do not lift the product by the cutting cover. The blade is very sharp and cuts can easily occur.

4. Hang the product vertically on the supplied hook. Refer to *To install the hook on the wall on page 14*. (Fig. 51)
5. Make sure that the product hangs correctly and is stable on the 2 rods of the hook.
6. Attach the grass catcher. Refer to *To attach the grass catcher on page 21*.

To attach the grass catcher

1. Attach the grass catcher to the groove on the front of the product. (Fig. 52)
2. Push the lower part of the grass catcher against the lifting point until you hear a click. (Fig. 53)

Disposal

Symbols on the product or the packaging of the product indicate that this product cannot be handled as domestic waste. It must be submitted to an appropriate recycling station for the recovery of electrical and electronic equipment.

By ensuring that this product is taken care of correctly, you can help to counteract the potential negative impact on the environment and people that can otherwise

result through the incorrect waste management of this product. For more detailed information about recycling this product, contact your municipality, your domestic waste service or the shop from where you purchased the product.

(Fig. 54)

Only for EU countries: According to the Directive 2006/66/EC, defective or used battery packs/batteries,

must be collected separately and disposed of in an environmentally correct manner.

Only for United Kingdom: According to the Waste Batteries and Accumulators Regulations 2009 (SI 2009/890) (as amended), battery packs/batteries that are no longer usable must be collected separately and disposed of in an environmentally friendly manner.

Technical data

Technical data

| Aspire LC34-P4A | |
|--|----------------------|
| Cutting motor | |
| Motor type | BLDC (brushless) 18V |
| Motor speed – Nominal, rpm | 3000 |
| Motor speed – High load, rpm | 3500 |
| Motor output – max. kW | 0.7 |
| Motor output – Nominal, kW | 0.5 |
| Drive motor | |
| Motor output – Nominal, kW | N/A |
| Self walk speed, km/h | N/A |
| Speed adjustment levels | N/A |
| Weight | |
| Weight without bag (excl. battery), kg | 11.5 |
| Weight with bag (incl. 1x P4A 18-B72), kg | 13.5 |
| Battery | |
| Type of battery | Lithium-ion |
| Battery runtime | |
| Battery runtime, min, ¹ | 60 |
| Noise emissions ² | |
| Sound power level, measured dB (A) | 86 |
| Sound power level, guaranteed L _{WA} dB (A) | 87 |
| Sound levels ³ | |
| Sound pressure level at the operator's ear, dB (A) | 74 |

¹ (free run) with standard mode activated, with one Husqvarna 4.0 Ah battery (P4A 18-B72).

² Noise emissions in the environment measured as sound power (L_{WA}) in conformity with EC directive 2000/14/EC.

³ Reported data for noise pressure level has an uncertainty factor (K) of 1.5 dB (A).

| | |
|--------------------------------------|------------------------|
| | Aspire LC34-P4A |
| Vibration levels ⁴ | |
| Handle, m/s ² | 0.5 |
| Cutting equipment | |
| Cutting height, mm | 30-65 |
| Cutting width, cm | 34 |
| Blade Standard | Combi 5375561-10 |
| Blade accessory | N/A |
| Grass catcher capacity, l | 30 |

Approved batteries

This product can be operated with all **POWER FOR ALL** batteries. For best performance it is recommended to use batteries with a minimum of 4.0 Ah.

| Battery | P4A 18-B45 | P4A 18-B72 |
|--------------------------|-------------------|-------------------|
| Type | Lithium-ion | Lithium-ion |
| Battery capacity, Ah | 2.5 | 4.0 |
| Nominal voltage, V | 18 | 18 |
| Weight, kg | 0.35 | 0.65 |
| Number of cells (Li-Ion) | 5 | 10 |

Approved battery chargers

| Battery charger | P4A 18-C70 |
|------------------------|-------------------|
| Input voltage, V | 220–240 |
| Frequency, Hz | 50–60 |
| Power, W | 70 |

⁴ Reported data for vibration level has an uncertainty factor (K) of 1.5 m/s². The declared vibration total value has been measured in accordance with standard EN 62841-4-3, Annex I and may be used for comparing one machine with another and in a preliminary assessment of exposure.

Declaration of Conformity

EU Declaration of Conformity

We, **Husqvarna AB**, SE-561 82 Huskvarna, Sweden, tel: +46-36-146500, declare on our sole responsibility that the product:

| | |
|-----------------------|---|
| Description | Lawn Mower |
| Brand | Husqvarna |
| Type / Model | Aspire LC34-P4A |
| Identification | Serial numbers dating from 2022 and onwards |

complies fully with the following EU directives and regulations:

| Regulation | Description |
|-------------------|--|
| 2006/42/EC | "relating to machinery" |
| 2014/30/EU | "relating to electromagnetic compatibility" |
| 2000/14/EC | "relating to the noise emissions in the environment" |
| 2011/65/EU | "on the restriction of the use of certain hazardous substances in electrical and electronic equipment" |

and that the following standards and/or technical specifications are applied: EN 62841-1:2015/AC:2015, EN IEC 62841-4-3:2021/A11:2021, EN ISO 12100:2010, EN 55014-1:2021, EN 55014-2:2021, EN IEC 61000-6-2:2019, EN IEC 61000-6-3:2021, EN IEC 63000:2018

Notified Body: 0404, RISE SMP Svensk Maskinprovning AB, Box 4053, SE-904 03 Umeå, Sweden has certified conformity with the council's directive 2000/14/EC, conformity assessment procedure: Annex VI.

For information relating to noise emissions, refer to *Technical data on page 22*.

Huskvarna, 2022-10-24



Claes Losdal, Development Manager/Garden Products
Husqvarna AB

Responsible for technical documentation



UK Declaration of Conformity

We, **Husqvarna AB**, SE-561 82 Huskvarna, Sweden, tel: +46-36-146500, declare on our sole responsibility that the product:

| | |
|-----------------------|---|
| Description | Lawn Mower |
| Brand | Husqvarna |
| Type / Model | Aspire LC34-P4A |
| Identification | Serial numbers dating from 2022 and onwards |

complies fully with the following UK regulations:

| |
|--|
| Description |
| The Restriction of the Use of Certain Hazardous Substances in Electrical and Electronic Equipment Regulations 2012 |
| The Supply of Machinery (Safety) Regulations 2008 |
| The Noise Emission in the Environment by Equipment for use Outdoors Regulations 2001, schedule 9 |
| Electromagnetic Compatibility Regulations 2016 |

and that the following standards and/or technical specifications are applied: EN 62841-1:2015/AC:2015, EN IEC 62841-4-3:2021/A11:2021, EN ISO 12100:2010, EN 55014-1:2021, EN 55014-2:2021, EN IEC 61000-6-2:2019, EN IEC 61000-6-3:2021, EN IEC 63000:2018

UK Importer:
Husqvarna UK Ltd
Preston Road, Co. Durham
DL5 6UP

Notified Body: 0404, RISE SMP Svensk Maskinprovning AB, Box 4053, SE-904 03 Umeå, Sweden has certified conformity with the council's directive 2000/14/EC, conformity assessment procedure: Annex VI.

For information relating to noise emissions, refer to *Technical data on page 22*.

Husqvarna, 2022-10-24



Claes Losdal, Development Manager/Garden Products
Husqvarna AB

Responsible for technical documentation

**UK
CA**

Licenses

Copyright © 2012–2020 STMicroelectronics

The warranty does not cover defects which are the result of normal wear and tear, negligence, defective use, unauthorised repair or the suction apparatus being connected to the incorrect voltage.

All rights reserved.

Redistribution and use in source and binary forms, with or without modification, are permitted provided that the following conditions are met:

- Redistributions of source code must retain the above copyright notice, this list of conditions and the following disclaimer.
- Redistributions in binary form must reproduce the above copyright notice, this list of conditions and the following disclaimer in the documentation and/or other materials provided with the distribution.
- Neither the name of STMicroelectronics nor the names of its contributors may be used to endorse or promote products derived from this software without specific prior written permission.

THIS SOFTWARE IS PROVIDED BY THE COPYRIGHT HOLDERS AND CONTRIBUTORS "AS IS" AND ANY EXPRESS OR IMPLIED WARRANTIES, INCLUDING, BUT NOT LIMITED TO, THE IMPLIED WARRANTIES OF MERCHANTABILITY AND FITNESS FOR A PARTICULAR PURPOSE ARE DISCLAIMED. IN NO EVENT SHALL THE COPYRIGHT OWNER OR CONTRIBUTORS BE LIABLE FOR ANY DIRECT, INDIRECT, INCIDENTAL, SPECIAL, EXEMPLARY, OR CONSEQUENTIAL DAMAGES (INCLUDING, BUT NOT LIMITED TO, PROCUREMENT OF SUBSTITUTE GOODS OR SERVICES; LOSS OF USE, DATA, OR PROFITS; OR BUSINESS INTERRUPTION) HOWEVER CAUSED AND ON ANY THEORY OF LIABILITY, WHETHER IN CONTRACT, STRICT LIABILITY, OR TORT (INCLUDING NEGLIGENCE OR OTHERWISE) ARISING IN ANY WAY OUT OF THE USE OF THIS SOFTWARE, EVEN IF ADVISED OF THE POSSIBILITY OF SUCH DAMAGE.

Apache 2.0 License

Copyright © 2009-2019 Arm Limited. All rights reserved.

Version 2.0, January 2004 <http://www.apache.org/licenses/>

TERMS AND CONDITIONS FOR USE,
REPRODUCTION, AND DISTRIBUTION

1. Definitions.

"License" shall mean the terms and conditions for use, reproduction, and distribution as defined by Sections 1 through 9 of this document. **"Licensor"** shall mean the copyright owner or entity authorized by the copyright owner that is granting the License. **"Legal Entity"** shall mean the union of the acting entity and all other

entities that control, are controlled by, or are under common control with that entity. For the purposes of this definition, **"control"** means (i) the power, direct or indirect, to cause the direction or management of such entity, whether by contract or otherwise, or (ii) ownership of fifty percent (50%) or more of the outstanding shares, or (iii) beneficial ownership of such entity. **"You"** (or **"Your"**) shall mean an individual or Legal Entity exercising permissions granted by this License. **"Source"** form shall mean the preferred form for making modifications, including but not limited to software source code, documentation source, and configuration files. **"Object"** form shall mean any form resulting from mechanical transformation or translation of a Source form, including but not limited to compiled object code, generated documentation, and conversions to other media types. **"Work"** shall mean the work of authorship, whether in Source or Object form, made available under the License, as indicated by a copyright notice that is included in or attached to the work (an example is provided in the Appendix below). **"Derivative Works"** shall mean any work, whether in Source or Object form, that is based on (or derived from) the Work and for which the editorial revisions, annotations, elaborations, or other modifications represent, as a whole, an original work of authorship. For the purposes of this License, Derivative Works shall not include works that remain separable from, or merely link (or bind by name) to the interfaces of, the Work and Derivative Works thereof. **"Contribution"** shall mean any work of authorship, including the original version of the Work and any modifications or additions to that Work or Derivative Works thereof, that is intentionally submitted to Licensor for inclusion in the Work by the copyright owner or by an individual or Legal Entity authorized to submit on behalf of the copyright owner. For the purposes of this definition, **"submitted"** means any form of electronic, verbal, or written communication sent to the Licensor or its representatives, including but not limited to communication on electronic mailing lists, source code control systems, and issue tracking systems that are managed by, or on behalf of, the Licensor for the purpose of discussing and improving the Work, but excluding communication that is conspicuously marked or otherwise designated in writing by the copyright owner as **"Not a Contribution."** **"Contributor"** shall mean Licensor and any individual or Legal Entity on behalf of whom a Contribution has been received by Licensor and subsequently incorporated within the Work.

2. Grant of Copyright License.

Subject to the terms and conditions of this License, each Contributor hereby grants to You a perpetual, worldwide, non-exclusive, no-charge, royalty-free, irrevocable copyright license to reproduce, prepare Derivative Works of, publicly display, publicly perform, sublicense, and distribute the Work and such Derivative Works in Source or Object form.

3. Grant of Patent License.

Subject to the terms and conditions of this License, each Contributor hereby grants to You a perpetual, worldwide, nonexclusive, no-charge, royalty-free, irrevocable (except as stated in this section) patent license to make, have made, use, offer to sell, sell, import, and otherwise transfer the Work, where such license applies only to those patent claims licensable by such Contributor that are necessarily infringed by their Contribution(s) alone or by combination of their Contribution(s) with the Work to which such Contribution(s) was submitted. If You institute patent litigation against any entity (including a crossclaim or counterclaim in a lawsuit) alleging that the Work or a Contribution incorporated within the Work constitutes direct or contributory patent infringement, then any patent licenses granted to You under this License for that Work shall terminate as of the date such litigation is filed.

4. Redistribution.

You may reproduce and distribute copies of the Work or Derivative Works thereof in any medium, with or without modifications, and in Source or Object form, provided that You meet the following conditions:

- You must give any other recipients of the Work or Derivative Works a copy of this License; and
- You must cause any modified files to carry prominent notices stating that You changed the files; and – You must retain, in the Source form of any Derivative Works that You distribute, all copyright, patent, trademark, and attribution notices from the Source form of the Work, excluding those notices that do not pertain to any part of the Derivative Works; and
- If the Work includes a **"NOTICE"** text file as part of its distribution, then any Derivative Works that You distribute must include a readable copy of the attribution notices contained within such NOTICE file, excluding those notices that do not pertain to any part of the Derivative Works, in at least one of the following places: within a NOTICE text file distributed as part of the Derivative Works; within the Source form or documentation, if provided along with the Derivative Works; or, within a display generated by the Derivative Works, if and wherever such third-party notices normally appear. The contents of the NOTICE file are for informational purposes only and do not modify the License. You may add Your own attribution notices within Derivative Works that You distribute, alongside or as an addendum to the NOTICE text from the Work, provided that such additional attribution notices cannot be construed as modifying the License. You may add Your own copyright statement to Your modifications and may provide additional or different license terms and conditions for use, reproduction, or distribution of Your modifications, or for any such Derivative Works as a whole, provided Your use, reproduction, and distribution of the Work otherwise complies with the conditions stated in this License.

5. Submission of Contributions.

Unless You explicitly state otherwise, any Contribution intentionally submitted for inclusion in the Work by You to the Licensor shall be under the terms and conditions of this License, without any additional terms or conditions. Notwithstanding the above, nothing herein shall supersede or modify the terms of any separate license agreement you may have executed with Licensor regarding such Contributions.

6. Trademarks.

This License does not grant permission to use the trade names, trademarks, service marks, or product names of the Licensor, except as required for reasonable and customary use in describing the origin of the Work and reproducing the content of the NOTICE file.

7. Disclaimer of Warranty.

Unless required by applicable law or agreed to in writing, Licensor provides the Work (and each Contributor provides its Contributions) on an "AS IS" BASIS, WITHOUT WARRANTIES OR CONDITIONS OF ANY KIND, either express or implied, including, without limitation, any warranties or conditions of TITLE, NON-INFRINGEMENT, MERCHANTABILITY, or FITNESS FOR A PARTICULAR PURPOSE. You are solely responsible for determining the appropriateness of using or redistributing the Work and assume any risks associated with Your exercise of permissions under this License. 8. Limitation of Liability. In no event and under no legal theory, whether in tort (including negligence), contract, or otherwise, unless required by applicable law (such as deliberate and grossly negligent acts) or agreed to in writing, shall any Contributor be liable to You for damages, including any direct, indirect, special, incidental, or consequential damages of any character arising as a result of this License or out of the use or inability to use the Work (including but not limited to damages for loss of goodwill, work stoppage, computer failure or malfunction, or any and all other commercial damages or losses), even if such Contributor has been advised of the possibility of such damages.

9. Accepting Warranty or Additional Liability.

While redistributing the Work or Derivative Works thereof, You may choose to offer, and charge a fee for, acceptance of support, warranty, indemnity, or other liability obligations and/or rights consistent with this License. However, in accepting such obligations, You may act only on Your own behalf and on Your sole responsibility, not on behalf of any other Contributor, and only if You agree to indemnify, defend, and hold each Contributor harmless for any liability incurred by, or claims asserted against, such Contributor by reason of your accepting any such warranty or additional liability. END OF TERMS AND CONDITIONS

Registered trademarks

QR Code is a registered trademark of DENSO WAVE
INCORPORATED in Japan.

Съдържание

| | | | |
|-------------------------------|----|--|----|
| Въведение..... | 29 | Транспортиране, съхранение и изхвърляне..... | 45 |
| Безопасност..... | 30 | Технически данни..... | 47 |
| Монтаж..... | 37 | Декларация за съответствие..... | 49 |
| Операция..... | 38 | Лицензи..... | 50 |
| Поддръжка..... | 40 | Регистрирани търговски марки..... | 52 |
| Отстраняване на проблеми..... | 42 | | |

Въведение

Описание на продукта

Продуктът е пешеходно управлявана ротационна косачка за трева. Тревата се събира в кош за трева. Отстранете коша за трева, за да се получи задно разтоварване на тревата. Закрепете приставка за мулчиране, за да нарежете тревата на тор.

Предназначение

Използвайте продукта за косене на трева. Не използвайте продукта за други задачи.

Общ преглед на продукта

(Фиг. 1)

1. Ръкохватка за спирачката на двигателя
2. Блокировка на стартирането
3. Ръкохватка/управление
4. Фиксатор за заключване на ръкохватката
5. Въртящи се ръкохватки
6. Кош за трева
7. Приставка за мулчиране
8. Заден капак
9. Светодиод на продукта
10. Индикатор за предупреждение (светодиод за грешка)
11. Ключ за безопасност
12. Отделение за акумулаторната батерия
13. Капак на акумулаторната батерия
14. Символи
15. Лост за височината на рязане
16. Акумулаторна батерия (принадлежност)
17. Зарядно устройство за акумулаторни батерии (принадлежност)
18. Червен светодиод
19. Зелен светодиод
20. Точки на повдигане
21. Кука
22. Ръководство за оператора

Бързо ръководство

Сканирайте QR кода за съвет как да използвате продукта.



Символи върху продукта

- (Фиг. 2) ПРЕДУПРЕЖДЕНИЕ
- (Фиг. 3) Прочетете инструкциите.
- (Фиг. 4) ПРЕДУПРЕЖДЕНИЕ – пазете се от изхвърлени предмети.
- (Фиг. 5) Не допускате наблизно странични наблюдатели.
- (Фиг. 6) ПРЕДУПРЕЖДЕНИЕ – дръжте ръцете и краката си настрана от ножовете.
- (Фиг. 7) ПРЕДУПРЕЖДЕНИЕ – разкачете акумулаторната батерия преди техническо обслужване.
- (Фиг. 8) Продуктът или опаковката на продукта не е битов отпадък. Рециклирайте го в станция за рециклиране за електрическо и електронно оборудване.
- (Фиг. 9) Етикет за шумовите емисии за околната среда съгласно директивите и регламентите на ЕС и Обединеното кралство и законодателството на Нов

Южен Уелс "Регламент 2017 относно защитата от дейности, оказващи влияние на околната среда (контрол на шума)". Гарантираното ниво на звуковата мощност на продукта е посочено в *Технически данни на страница 47* и на етикета.

(Фиг. 20)

Използвайте акумулаторната батерия само с продукти от партньори на системата POWER FOR ALL.

(Фиг. 10) Тази приставка отговаря на изискванията на приложимите директиви на ЕО.

(Фиг. 21)

Пазете акумулаторната батерия от топлина, напр. от продължително излагане на интензивна слънчева светлина, огън, замърсявания, вода и влага. Съществува риск от експлозия и късо съединение.

(Фиг. 22)

(Фиг. 11) Този продукт съответства на приложимите регламенти на Обединеното кралство.

(Фиг. 12) Този продукт е защитен от капки.

(Фиг. 16)

Използвайте и дръжте зарядното устройство на акумулаторни батерии само на закрито.

(Фиг. 13) Освободете ръкохватката за спирачката на двигателя, за да спрете.

(Фиг. 17)

Двойна изолация.

(Фиг. 14) Натиснете ръкохватката за спирачката на двигателя, за да стартирате задвижването на ножовете.

Етикет върху продукта

(Фиг. 23)

ОПАСНОСТ – Дръжте ръцете и краката си настрана.

(Фиг. 15) Код с възможност за сканиране.

Отговорност за продукта

(Фиг. 18) Завъртете, за да заключите или отключите.

Както е посочено в законите за отговорност за вреди, причинени от стоки, ние не носим отговорност за щети, причинени от нашия продукт, ако:

- продуктът е неправилно ремонтиран.
- продуктът е ремонтиран с части, които не са от производителя или не са одобрени от производителя.
- продуктът има принадлежност, която не е от производителя или не е одобрена от производителя.
- продуктът не е ремонтиран в одобрен сервизен център или от одобрен орган.

Забележка: Останалите символи/стикери на продукта се отнасят до изисквания по отношение на сертификати за определени пазари.

Символи върху акумулаторната батерия и/или зарядното устройство за акумулаторни батерии

(Фиг. 19) Рециклирайте този продукт в пункт за рециклиране за електрическо и електронно оборудване. (валидно само за Европа)

Безопасност

Дефиниции за безопасност

Предупреждения, знаци за внимание и бележки се използват за указване на особено важни части на инструкцията.



ПРЕДУПРЕЖДЕНИЕ: Използвайте се, ако има опасност от нараняване или смърт за оператора или за околните, ако не се спазват инструкциите в ръководството.



ВНИМАНИЕ: Използва се, ако има опасност от повреждане на машината, други материали или съседната зона, ако не се спазват инструкциите в ръководството.

Забележка: Използва се за предоставяне на повече информация, която е необходима в дадена ситуация.

Общи предупреждения за безопасност за продукта



ПРЕДУПРЕЖДЕНИЕ: Прочетете всички предупреждения за безопасност, инструкции, илюстрации и спецификации, предоставени с този продукт. Неспазването на всички инструкции, изброени по-долу, може да доведе до електрически удар, пожар и/или сериозно нараняване.

Запазете всички предупреждения и инструкции за бъдещи справки. Терминът "продукт" в предупрежденията се отнася за продукт с електрическо задвижване (с кабел) или такъв с акумулаторна батерия (безжичен).

Безопасност на работната област

- **Поддържайте работната област работния участък чиста и добре осветена.** Мръсните и тъмните области са по-предразполагащи към инциденти.
- **Не работете с продукта в експлозивна среда, като например в присъствието на запалителни течности, газове или прах.** Продуктът създава искри, които може да запалят праха или дима.
- **Дръжте децата и околните настрана, докато работите с продукта.** Разсейването може да доведе до загуба на контрол.

Електрическа безопасност

- **Щепселите на продукта трябва да съответстват на контакта. Никога не променяйте щепселите по какъвто и да било начин. Не използвайте никакви адаптерни щепсели със заземени продукти.** Немодифицираните щепсели и съответстващи им контакти ще намалят рисковете от токов удар.
- **Избягвайте контакт на тялото със заземени или замасени повърхности, като тръби, радиатори и хладилници.** Има повишен риск от електрически удар, ако Вашето тяло е заземено или замасено.
- **Не излагайте продуктите на дъжд или мокра околна среда.** Навлизането на вода в продукта повишава риска от токов удар.
- **Не насилвайте кабела. Никога не използвайте кабела за носене, дърпане или изключване на продукта от мрежата. Пазете шнура далеч от**

топлинни източници, масло, остри ръбове или движещи се части. Повредените или заплетени кабели увеличават риска от токов удар.

- **Когато работите с продукта навън, използвайте удължителен кабел, който е подходящ за употреба на открито.** Кабелът, който е подходящ за употреба на открито, намалява риска от токов удар.
- **Ако работата с електрически инструмент на влажно място е неизбежна, използвайте захранване с устройство за дефектнотокова защита (RCD).** Използването на RCD намалява риска от електрически удар.

Лична безопасност

- **Бъдете нащрек, внимавайте какво правите и бъдете разсъдливи, когато работите с продукта. Не използвайте продукта, когато сте изморени или когато сте под влиянието на наркотици, алкохол или лекарства.** Един миг невнимание по време на работа с продуктите може да доведе до тежко телесно нараняване.
- **Използвайте лични предпазни средства. Винаги носете защитни средства за очите.** Предпазните средства като респираторна маска, негързялащи се предпазни обувки, твърда каска или антифони, използвани за съответните условия, ще намалят телесните повреди.
- **Не допускате нежелано стартиране. Уверете се, че превключателят е в изключено положение, преди да свържете захранващия източник и/или акумулаторната батерия, когато вземате или носите продукта.** Носенето на продукти с пръст на превключателя или включването в мрежата на продукти с прекъсвач във включено положение е предпоставка за злополуки.
- **Отстранете всички ключове за регулиране или гаечни ключове, преди да включите продукта.** Гаечен ключ или ключ, който е оставен присъединен към въртящата се част на продукта, може да доведе до нараняване.
- **Не се протягайте прекалено надалеч, докато работите. Поддържайте съответната стъпка и баланс през цялото време.** Това осигурява по-добър контрол на продукта в неочаквани ситуации.
- **Обличайте се подходящо. Никога не носете широки дрехи или украшения. Дръжте косата и дрехите си далеч от движещите се части на инструмента.** Свободновисящи дрехи, бижута или дълга коса могат да бъдат захванати от движещите се части.
- **Ако са предоставени устройства за свързване на изсмукване на прах и съдове за събиране, уверете се, че те са свързани и се използват правилно.** Използването на съдове за събиране на прах може да намали опасностите, свързани с праха.
- **Не позволявайте на натрупания опит от честата употреба на продукти да Ви вдъхне прекомерна**

увереност и да игнорирате принципите за безопасност. Едно нехайно действие може да причини сериозно нараняване за част от секундата.

Използване и грижа за продукта

- **Не насилвайте продукта.** Използвайте подходящия продукт за Вашето приложение. Подходящият продукт ще свърши работата по-добре и по-безопасно със скоростта, за която е бил създаден.
- **Не използвайте продукта, ако превключвателят не го включва и изключва.** Всеки продукт, който не може да се управлява с превключвателя, е опасен и трябва да бъде ремонтиран.
- **Разкачете щепсела от електрическият източник и/или премахнете акумулаторната батерия от продукта, ако може да се отстрани, преди да правите каквито и да било настройки, да смените принадлежности или да съхранявате продукти.** Тези предпазни мерки намаляват риска от нежелано стартиране на продукта.
- **Съхранявайте неизползваните продукти на недостъпно за деца място и не разрешавайте на хора, които не са запознати с продукта или с тези инструкции, да работят с него.** Продуктите са опасни в ръцете на необучени потребители.
- **Поддържайте продуктите и принадлежностите.** Проверявайте за разцентроване или задиране на движещите се части, счупвания на части или други състояния, които могат да се отразят на работата на продукта. Ако продуктът бъде повреден, дайте го за ремонт, преди да го използвате. Много инциденти възникват с лошо поддържани продукти.
- **Поддържайте режещите инструменти остри и чисти.** Правилно поддържаните режещи инструменти с остри режещи краища са по-трудни за огъване и се контролират по-лесно.
- **Използвайте продукта, принадлежностите, приставките и др. в съответствие с тези инструкции, като имате предвид условията и естеството на работата, която извършвате.** Използването на продукта за операции, различни от тези, за които е предназначен, може да доведе до опасни ситуации.
- **Поддържайте ръкохватките и повърхностите за хващане сухи, чисти и без масло и грес.** Хлъзгавите ръкохватки и повърхности за захващане не позволяват безопасно боравене и контрол над продукта при непредвидени ситуации.

Употреба и грижа за инструмента на батерия

- **Презареждайте само със зарядно устройство, определено от производителя.** Зарядно устройство, което е подходящо за един вид батерия, може да създаде опасност от злополука, когато се използва с друга батерия.

- **Използвайте продуктите само със специално определените акумулаторни батерии.** Използването на други батерии може да създаде опасност от нараняване и пожар.
- **Когато батерията не е в употреба, дръжте я далеч от други метални предмети, като кламери, монети, ключове, пирони, винтове или други, които могат да свържат едната клемма с другата.** Окъсяване на изводите на батерията може да предизвика изгаряния или пожар.
- **При злоупотреба от акумулатора може да бъде изхвърлена течност – избягвайте допир.** В случай на случаен контакт изплакнете с вода. Ако течността попадне в очите, потърсете допълнителна медицинска помощ. Течност, изхвърлена от акумулатора, може да причини раздразнения или изгаряния.
- **Не използвайте акумулаторната батерия или продукт, който е променен или повреден.** Повредените или модифицирани батерии могат да имат непредсказуемо поведение, което да доведе до пожар, експлозия или опасност от нараняване.
- **Не излагайте акумулаторната батерия или уреда на огън или прекомерна температура.** Излагането на огън или температура над 130°C/265°F може да предизвика експлозия.
- **Спазвайте всички инструкции за зареждане и не зареждайте акумулаторната батерия или уреда извън температурния диапазон, посочен в инструкциите.** Неправилното зареждане или зареждането при температури извън определения диапазон може да повредят акумулаторната батерия и да увеличат риска от пожар.

Обслужване

- **Техническото обслужване на Вашия продукт трябва да се извършва от квалифицирано лице, като се използват само идентични резервни части.** Това ще гарантира поддържането на безопасността на продукта.
- **Никога не обслужвайте повредени акумулаторни батерии.** Обслужването на акумулаторни батерии трябва да се извършва само от производителя или оторизирани сервиси.

Предупреждения за безопасност на косачката за трева

- **Не използвайте косачката за трева при лоши метеорологични условия, особено когато има риск от мълнии.** Това намалява риска да бъдете ударени от мълния.
- **Проверете внимателно площта, където ще се използва косачката за трева, за наличие на диви животни.** По време на работа косачката за трева може да нарани диви животни.
- **Проверете внимателно площта, където ще се използва косачката за трева, и отстранете всички камъни, пръчки, проводници, кости и други чужди**

предмети. Изхвърлените предмети могат да причинят телесна повреда.

- **Преди употреба винаги проверявайте визуално косачката за трева, за да се уверите, че ножът и модулът на ножа не са износени или повредени.** Износените или повредени части увеличават риска от нараняване.
- **Проверявайте често коша за трева за износвания или влошаване на качествата.** Износеният или повреден кош за трева може да увеличи риска от телесна повреда.
- **Дръжте предпазителите на място.** Предпазителите трябва да са в изправност за работа и да са правилно монтирани. Разхлабен, повреден или неправилно функциониращ предпазител може да доведе до телесна повреда.
- **Поддържайте всички входни отвори за охлаждащ въздух чисти от отпадъци.** Блокираните входни отвори за въздух и остатъците може да доведат до прегряване или риск от пожар.
- **По време на работа с косачката за трева винаги носете непълзгащи се и защитни обувки. Не работете с косачката за трева, когато сте боси или носите отворени сандали.** Това намалява вероятността от нараняване на краката при контакт с движещия се нож.
- **Когато работите с косачката за трева, винаги носете дълги панталони.** Съществува вероятност откритите части на кожата да бъдат наранени от изхвърлени предмети.
- **Не работете с косачката за трева в мокра трева. Ходете, никога не тичайте.** Това намалява риска от подхлъзване и падане, което може да доведе до телесна повреда.
- **Не работете с косачката за трева по прекалено стръмни наклони.** Това намалява риска от загуба на контрол, подхлъзване и падане, което може да доведе до телесна повреда.
- **Когато работите по наклони, винаги се уверявайте, че сте стъпили добре, винаги работете напречно на наклоните, никога нагоре или надолу, и бъдете изключително внимателни при смяна на посоката.** Това намалява риска от загуба на контрол, подхлъзване и падане, което може да доведе до телесна повреда.
- **Бъдете изключително внимателни при движение на заден ход или при дърпане на косачката за трева към себе си. Внимавайте за заобикалящата среда.** Това намалява риска от преобръщане по време на работа.
- **Не докосвайте ножовете и други опасни движещи се части, докато те все още се движат.** Това намалява риска от нараняване от движещи се части.
- **Когато отстранявате заседнал материал или почиствате косачката за трева, се уверете, че всички прекъсвачи са изключени и захранващият шнур е разкачен.** Неочакваното задействане на

косачката за трева може да доведе до сериозна телесна повреда.

Дефектнотокова защита

- Използвайте дефектнотокова защита с максимален ток на задействане от 30 mA.

Общи инструкции за безопасност



ПРЕДУПРЕЖДЕНИЕ: Прочетете следващите предупредителни указания, преди да използвате продукта.

- Този продукт е опасен, ако се използва неправилно или ако не сте внимателни. Неспазването на инструкциите за безопасност може да доведе до нараняване или смърт.
- Този продукт създава електромагнитно поле по време на работа. При някои условия това поле може да предизвика смущения в активни или пасивни медицински импланти. За да намалите риска от тежко или смъртоносно нараняване, не препоръчваме лицата с медицински импланти да говорят с лекаря си и производителя на медицинския имплант, преди да започнат да работят с тази машина.
- Винаги бъдете внимателни и подхождайте разумно. Ако не сте сигурни как да работите с продукта при специална ситуация, спрете и се обърнете към Вашия дилър на Husqvarna, преди да продължите.
- Имайте предвид, че операторът носи отговорност за нещастни случаи, включващи други хора или тяхното имущество.
- Поддържайте продукта чист. Уверете се, че разчитате ясно знаците и стикерите.
- Никога не позволявайте на деца или на хора, незапознати с тези инструкции, да използват уреда. Местните разпоредби може да поставят възрастови ограничения за оператора.
- Винаги наблюдавайте лица с намален физически или умствен капацитет, които използват продукта. През цялото време трябва да присъства отговорен възрастен.
- Не използвайте продукта, ако сте уморени, болни или под въздействието на алкохол, наркотици или лекарства. Това състояние оказва отрицателно въздействие върху Вашето зрение, бдителност, координация и преценка.
- Не използвайте продукта, ако е неизправен.
- Не променяйте този продукт или не го използвайте, ако има вероятност той да е бил променен от друг.

Безопасност при работа



ПРЕДУПРЕЖДЕНИЕ: Прочетете следващите предупредителни указания, преди да използвате продукта.

- Използвайте този продукт само за косене на морави. Не се допуска използването му за други цели.
- Използвайте лични предпазни средства. Вижте *Лични предпазни средства на страница 34*.
- Уверете се, че знаете как бързо да спрете двигателя при аварийна ситуация.
- Не използвайте продукта при дъжд или влага. Опасността от токов удар се повишава при навлизане на вода в продукта.
- Не работете с продукта, докато ножът и всички капаци не се монтират правилно. Неправилно монтираният нож може да се разхлаби и да причини телесна повреда.
- Уверете се, че ножът няма да се удря в обекти, като например камъни и корени. Това може да доведе до повреда на ножа и до огъване на двусекционния вал на двигателя. Огънатата ос предизвиква силни вибрации и има много голяма опасност ножът да се разхлаби.
- Ако ножът се удари в някакъв обект или се получат вибрации, спрете веднага продукта. Спрете двигателят, завъртете ключа за безопасност на 0 и отстранете акумулатора. Изчакайте спирането на движещите се части. Проверете продукта за повреди. Затегнете разхлабените части. Отстранете повредите и сменете повредените части. Възложете ремонта на упълномощен сервис.
- Никога не прикрепяйте ръкохватката за спирачката на двигателя за постоянно върху дръжката, когато двигателят е стартиран.
- Поставете продукта върху стабилна, равна повърхност и го стартирайте. Уверете се, че ножът не се допира в земята или в други предмети.
- Винаги стойте зад продукта, когато го използвате.
- Всички колела трябва да бъдат на земята и да държите дръжката с 2 ръце, когато работите с продукта. Дръжте ръцете и краката си далеч от въртящите се ножове.
- Не наклоняйте продукта при стартиране на двигателя или по време на работа на продукта.
- Бъдете внимателни, когато дърпате продукта назад.
- Никога не повдигайте продукта при стартиран двигател. Ако се наложи да вдигате продукта, първо спрете двигателя, завъртете ключа за безопасност на 0 и отстранете акумулатора.
- Не се движете назад при работа с продукта.
- Спрете двигателя, когато е необходимо да наклоните продукта за транспортиране или когато преминавате през области без трева, като пътеки от чакъл, камък и асфалт.
- Не тичайте с продукта, докато двигателят работи. Винаги ходете, когато работите с продукта.

- Спрете двигателя, преди да промените височината на рязане. Никога не извършвайте регулировки при работещ двигател.
- Никога не оставяйте продукта без надзор, когато двигателят работи. Спрете двигателя и се уверете, че режещото оборудване не се върти.
- Вибрациите на продукта по време на работа могат да се различават от декларираната стойност на вибрациите в *Технически данни на страница 47*. Разликата е в резултат на различните начини на използване на продукта. Ако работите с продукта често или за дълги периоди от време, правете редовно почивки, за да предотвратите нараняване от вибрации.

Инструкции за безопасност за работа

Лични предпазни средства



ПРЕДУПРЕЖДЕНИЕ: Прочетете следващите предупредителни указания, преди да използвате продукта.

- Личните предпазни средства не изключват изцяло риска от нараняване, но намаляват степента на нараняването при злополука. Нека Вашият доставчик Ви помогне да изберете подходящото оборудване.
- Носете ботуши или обувки, устойчиви на хлъзгане. Не носете отворени обувки и не ходете боси.
- Използвайте дълги панталони от здрав плат.
- Когато е необходимо, носете защитни ръкавици, например, когато закрепвате, проверявате или почиствате режещото оборудване.
- Препоръчваме използване на средства за защита на слуха.

Приспособления за безопасност на машината



ПРЕДУПРЕЖДЕНИЕ: Прочетете следващите предупредителни указания, преди да използвате продукта.

- Не използвайте машина с неизправни приспособления за безопасност.
- Не отстранявайте и не правете модификации по устройствата за безопасност.
- Проверявайте редовно приспособленията за безопасност. Ако приспособленията за безопасност са дефектни, говорете с Вашия сервис Husqvarna.

За проверка на капака срещу порязване

Капакът срещу порязване намалява вибрациите в продукта и опасността от нараняване, причинени от острието.

- Проверете капака срещу порязване, за да се уверите, че няма повреди, като например пукнатини.

За проверка на ключа за безопасност

Ключът за безопасност е под капака на акумулатора. Ключът за безопасност свързва акумулатора, който захранва двигателя с енергия.

- Стартирайте и спрете двигателя, за да извършите проверка на ключа за безопасност.
- Ако ключът за безопасност работи правилно, двигателят стартира само когато ключът е в положение 1. (Фиг. 24)

За проверка на ръкохватката на спирачката на двигателя

Ръкохватка за спирачката на двигателя спира двигателя. Когато ръкохватката за спирачката на двигателя бъде пусната, двигателят спира.

- Стартирайте продукта. Вижте *За стартиране на продукта на страница 40*.
- Освободете ръкохватката на спирачката на двигателя. (Фиг. 25)
- Уверете се, че продуктът спира. Ако двигателят не спре след 3 секунди, позволете на одобрен сервиз на Husqvarna да регулира спирачката на двигателя.

За проверка на блокировката на стартирането

Направете проверка на блокировката на стартирането, за да се уверите, че тя не допуска работата на двигателя.

1. Натиснете ръкохватката за спирачката на двигателя по посока на управлението. Блокировката на пускането спира движението.
2. Натиснете блокировката на пускането навън. (Фиг. 26)
3. Освободете блокировката на пускането и се уверете, че тя се е върнала в първоначалното си положение.

Безопасност на акумулаторната батерия



ПРЕДУПРЕЖДЕНИЕ: Прочетете всички инструкции за безопасност и общи инструкции. Неспазването на инструкциите за безопасност и общите инструкции може да доведе до токов удар, пожар и/или сериозни наранявания. **Дръжте под ръка цялата информация за безопасност и общи инструкции за бъдещи справки.**

- Тези инструкции за безопасност се отнасят само за 18 V литиевоионни акумулаторни батерии за системата POWER FOR ALL.

- **Използвайте акумулаторната батерия само с продукти от партньори на системата POWER FOR ALL.** 18 V акумулаторни батерии, обозначени с POWER FOR ALL, са напълно съвместими със следните продукти:

– Всички продукти от 18 V система за акумулаторни батерии POWER FOR ALL.

– Всички 18 V продукти от партньори на системата POWER FOR ALL.

- **Спазвайте препоръките за акумулаторната батерия в ръководството за работа на Вашия продукт.** Само по този начин акумулаторната батерия и продуктът могат да работят без опасност и акумулаторните батерии да бъдат защитени от опасно претоварване.
- **Зареждайте акумулаторните батерии само със зарядни устройства, препоръчани от производителя или от партньорите на системата POWER FOR ALL.** Зарядно устройство, което е подходящо за един вид акумулаторна батерия, може да създаде риск от пожар, когато се използва с друг вид акумулаторна батерия.
- **Акумулаторната батерия се доставя частично заредена.** За да осигурите пълен капацитет на акумулаторната батерия, заредете напълно акумулаторната батерия в зарядното устройство, преди да използвате Вашия електрически инструмент за първи път.
- **Съхранявайте акумулаторните батерии на недостъпно за деца място.**
- **Не отваряйте акумулаторната батерия.** Съществува риск от късо съединение.
- **В случай на повреда и неправилна употреба на акумулаторната батерия може да се отделят пари.** Акумулаторната батерия може да възпламени или да експлодира. Уверете се, че зоната е добре проветрена и потърсете медицинска помощ, ако усетите неразположение. Парите могат да раздразнят дихателната система.
- **Ако акумулаторната батерия се използва неправилно или ако е повредена, от нея може да се изхвърли запалима течност.** Трябва да се избягва контактът с тази течност. В случай на случаен контакт изплакнете с вода. Ако очите Ви влязат в контакт с течността, потърсете допълнителна медицинска помощ. Течността, изхвърлена от акумулаторната батерия, може да причини раздразнения или изгаряния.
- **Ако акумулаторната батерия е повредена, от нея може да бъде изхвърлена течност, която да попадне върху близките повърхности.** Проверете засегнатите части. Почистете тези части или ги заредете, ако се налага.
- **Не окъсявайте акумулаторната батерия.** Когато акумулаторната батерия не се използва, я дръжте далеч от други метални предмети, като кламери, монети, ключове, пирони, винтове или други малки метални предмети, които могат да

свържат едната клема с другата. Окъсяване на изводите на акумулаторната батерия може да предизвика изгаряния или пожар.

- **Акумулаторната батерия може да бъде повредена от заострени предмети, като пируни или отвертки, или от сила, приложена отвън.** Може да възникне вътрешно късо съединение, което да причини запалване на акумулаторната батерия, дим, експлозия или прегриване на акумулаторната батерия.
- **Никога не обслужвайте повредени акумулаторни батерии.** Обслужването на акумулаторни батерии трябва да се извършва само от производителя или оторизирани сервизни доставчици.
- **Пазете акумулаторната батерия от топлина, напр. от продължително излагане на интензивна слънчева светлина, огън, замърсявания, вода и влага.** Съществува риск от експлозия и късо съединение.
- **Използвайте акумулаторната батерия в продукта само когато околната температура е между 0 °C – +40 °C.**
- **Съхранявайте акумулаторната батерия само при околна температура между -20 °C – +50 °C.** Не оставяйте акумулаторната батерия в колата си през лятото например. При температури < 0°C някои устройства може да претърпят загуба на мощност.
- **Зареждайте акумулаторната батерия само при температура на околната среда, която е между 0°C и +35°C.** Зареждайте акумулаторната батерия с USB кабел само при температура на околната среда, която е между +10°C и +35°C. Зареждането извън този температурен диапазон може да повиши риска от повреда на акумулаторната батерия и да създаде опасност от пожар.

Инструкции за безопасност за зарядното устройство на акумулаторната батерия



ПРЕДУПРЕЖДЕНИЕ: Прочетете всички инструкции за безопасност и общи инструкции. Неспазването на инструкциите за безопасност и общите инструкции може да доведе до токов удар, пожар и/или сериозни наранявания. **Пазете тези инструкции на безопасно място.** Използвайте зарядното устройство само ако можете напълно да оцените всички функции и да ги изпълнявате без ограничения или ако сте получили съответните инструкции.

- **Това зарядно устройство не е предназначено за използване от деца или лица с физически, сетивни или умствени ограничения или липса на опит или знания.** Това зарядно устройство може да се използва от деца на възраст от 8 или повече години и от лица, които имат физически,

сетивни или умствени ограничения или липса на опит или познания, ако лице, отговорно за тяхната безопасност, ги наблюдава или ги е инструктирало относно безопасната работа със зарядното устройство и те разбират свързаните с това опасности. В противен случай съществува риск от грешки при работа и наранявания.

- **Наблюдавайте децата по време на употреба, почистване и техническо обслужване.** Това ще гарантира, че децата няма да си играят със зарядното устройство.
- **Зареждайте само 18 V акумулаторни батерии система POWER FOR ALL с капацитет 1,5 Ah.** Напрежението на акумулаторната батерия трябва да съответства на напрежението на зареждане на зарядното устройство. Не зареждайте акумулаторни батерии, които са непрезаряждаеми. В противен случай създават риск от пожар и експлозия.
- **Използвайте зарядното устройство само в затворени помещения и не го излагайте на влага.** Навлизането на вода в електрически инструмент ще увеличи риска от токов удар.
- **Поддържайте зарядното устройство чисто.** Замърсяванията създават риск от токов удар.
- **Винаги проверявайте зарядното устройство, кабели и щепсела преди употреба.** Спрете да използвате зарядното устройство, ако откриете някаква повреда. Не отваряйте сами зарядното устройство и го предоставяте за ремонт само на Husqvarna или оторизиран център по следпродажбено обслужване, като използвате само оригинални резервни части. Повредените зарядни устройства, кабели и щепсели увеличават риска от токов удар.
- **Не работете със зарядното устройство върху лесно запалими повърхности (например хартия, текстил и др.) или в запалима среда.** Има опасност от пожар поради загряване на зарядното устройство по време на работа.
- **Не покривайте вентилационните отвори на зарядното устройство.** В противен случай зарядното устройство може да прегрее и да спре да функционира правилно.
- **Презареждайте само със зарядно устройство, определено от производителя.** Зарядно устройство, което е подходящо за един вид акумулаторна батерия, може да създаде опасност от злополука, когато се използва с друга акумулаторна батерия.
- **В случай на повреда и неправилна употреба на акумулаторната батерия може да се отделят и пари.** Уверете се, че зоната е добре проветрена и потърсете медицинска помощ, ако усетите неразположение. Парите могат да раздразнят дихателната система.
- **При злоупотреба от акумулаторната батерия може да бъде изхвърлена течност.** Трябва да се избягва контакт с тази течност. В случай на случаен контакт изплакнете с вода. Ако очите

Ви влязат в контакт с течността, потърсете допълнителна медицинска помощ. Течността, изхвърлена от акумулаторната батерия, може да причини раздразнения или изгаряния.

- **Само за продукти, продавани във Великобритания:** Вашият продукт е снабден с одобрен по BS 1363/A електрически щепсел с въртешен предпазител (ASTA одобрение съгласно BS 1362). Ако щепселът не е подходящ за Вашите контакти, той трябва да бъде отрязан и на негово място да бъде поставен подходящ щепсел от упълномощен сервис. Заменящият щепсел трябва да има същите номинални параметри на защита като оригиналния щепсел. Отрязаният щепсел трябва да се изхвърли, за да се избегне възможна опасност от токов удар, и никога не трябва да се включва в стенен контакт на друго място.

Инструкции за безопасност при техническо обслужване



ПРЕДУПРЕЖДЕНИЕ: Прочетете следващите предупредителни указания, преди да използвате продукта.

- За да предотвратите случайно стартиране по време на техническо обслужване, завъртете ключа за безопасност на 0 и извадете акумулатора. Изчакайте най-малко 5 секунди преди да започнете техническото обслужване.
- Изпълнявайте стъпките от техническото обслужване, посочени в тази инструкция за експлоатация. По-значителни ремонтни дейности

и професионални ремонти трябва да се извършват от одобрен сервис. За повече информация говорете с най-близкия до Вас сервис.

- Извършете правилно техническото обслужване, за да увеличите срока на експлоатация на продукта и да намалите опасността от инциденти.
- Заменете повредени, износени или счупени части. Винаги използвайте оригинални резервни части от производителя. Други резервни части могат да доведат до повреждане на продукта и да увеличат риска от злополуки.
- За предотвратяване на нараняване не отстранявайте устройствата за безопасност и не ги модифицирайте.
- Сложете ръкавици за тежки условия, когато използвате режещото оборудване. Ножът е много остър и можете лесно да се порежете.
- Поддържайте режещите краища остри и чисти за най-добра и безопасна производителност.
- Редовно проверявайте продукта при Вашия сервис и извършвайте необходимите корекции и ремонтни дейности.
- Следвайте инструкциите за смяна на аксесоарите. Използвайте само аксесоари от производителя.
- Когато не ги използвате, съхранявайте продукта, акумулатора и зарядното устройство отделно на закрито сухо и заключено място. Уверете се, че деца и лица, които не са одобрени, не могат да получат достъп до продукта, акумулатора или зарядното устройство.

Монтаж

Въведение



ПРЕДУПРЕЖДЕНИЕ: Преди да сглобите машината, прочетете главата за безопасност.



ПРЕДУПРЕЖДЕНИЕ: За да предотвратите случайно стартиране по време на монтаж, завъртете ключа за безопасност на 0, отстранете акумулатора и изчакайте най-малко 5 секунди.

За регулиране на височината на ръкохватката

Продуктът има свободен ход за регулиране на височината на ръкохватката. Височината на ръкохватката може да се зададе на подходяща височина между 2 зададени точки.

1. Задайте продукта в положение за работа. Направете справка с *За задаване на продукта в положение за работа на страница 38*.
2. Завъртете фиксаторите за заключване на ръкохватките обратно на часовниковата стрелка. (Фиг. 27)
3. Издърпайте ръкохватките до подходящо положение.
4. Поставете 2-те ръкохватки на едно ниво.



ВНИМАНИЕ: Ако ръкохватките не са на едно ниво, продуктът ще се повреди.

5. Завъртете фиксаторите за заключване на ръкохватките по часовниковата стрелка.
6. Затегнете фиксаторите за заключване докрай.

За монтиране на коша за трева

1. Повдигнете задния капак.
2. Отстранете приставката за мулчиране.

3. Закрепете коша за трева към горния ръб на шасито.
4. Поставете долната част на коша за трева към канала за разтоварване на тревата. (Фиг. 28)



ВНИМАНИЕ: Уверете се, че кошът за трева е уплътнен правилно към шасито на продукта.

За монтиране на приставката за мулчиране

1. Повдигнете задния капак и отстранете коша за трева.
2. Натиснете приставката за мулчиране в канала за изхвърляне, докато чуete щракване. (Фиг. 29)

За монтиране на куката на стената

- Монтирайте куката в закрито помещение.
- Куката трябва да се монтира далеч от слънчева светлина и при температура на околната среда от -10°C до $+70^{\circ}\text{C}$.

- Монтирайте куката върху гипсокартон, дърво или бетонна стена.



ВНИМАНИЕ: Уверете се, че стената може да издържи товари от минимум 30 kg.

- Монтирайте продукта на стената с 3-те винта (А). Ако се налага, използвайте дюбелите (В). (Фиг. 30)



ВНИМАНИЕ: Уверете се, че винтовете са подходящи за типа на Вашата стена.

- Обърнете се към Вашия сервиз на Husqvarna за информация относно предлаганите принадлежности за съхранение за Вашия продукт.

Операция

Въведение



ПРЕДУПРЕЖДЕНИЕ: Преди работа с продукта трябва да прочетете и разберете главата за безопасност.

Husqvarna Connect

Husqvarna Connect е бесплатно приложение за Вашето мобилно устройство. Приложението Husqvarna Connect осигурява разширени функции за Вашия продукт на Husqvarna:

- Разширена продуктова информация.
- Информация и помощ за частите на продукта и сервизното обслужване.

За да започнете да използвате Husqvarna Connect

1. Изтеглете приложението Husqvarna Connect на Вашето мобилно устройство.
2. Регистрирайте се в приложението Husqvarna Connect.
3. Следвайте стъпките с инструкции в приложението Husqvarna Connect, за да свържете и регистрирате продукта.

Забележка: Приложението Husqvarna Connect не е налично за изтегляне на всички пазари. Свържете се с дистрибутор по обслужването за повече информация.

За задаване на продукта в положение за работа

1. Завъртете фиксаторите на ръкохватката в отключено положение. (Фиг. 31)
2. Сгънете ръкохватката нагоре, докато чуete щракване. (Фиг. 32)



ВНИМАНИЕ: Уверете се, че кабелите не са опънати прекалено много. Прекаленото опъване може да причини повреда на кабела, ако ръкохватката бъде сгъната в положение при транспортиране.



ПРЕДУПРЕЖДЕНИЕ: Уверете се, че ръкохватката е напълно сгъната нагоре и е в заключено положение.

3. Регулирайте височината на ръкохватката. Направете справка с *За регулиране на височината на ръкохватката на страница 37*.

За задаване на височината на рязане

1. Преместете назад лоста за височина на рязане, за да увеличите височината на рязане.
2. Преместете напред лоста за височина на рязане, за да намалите височината на рязане. (Фиг. 33)



ВНИМАНИЕ: Не задавайте твърде ниска височина на рязане. Ножовете могат да се ударят в земята, ако повърхността на моравата не е равна.

Акумулаторна батерия



ПРЕДУПРЕЖДЕНИЕ: Преди да използвате акумулаторната батерия, трябва да прочетете и разберете главата за безопасност. Трябва също така да прочетете и разберете ръководството за оператора за акумулаторната батерия и зарядното устройство.

Поддържайте подходяща околна температура за акумулаторната батерия и зарядното устройство.

| | Околна температура |
|---|--------------------|
| Работа на акумулаторната батерия в продукта | 0 °C – +40 °C |
| Зареждане на акумулаторната батерия | 0 °C – +35 °C |

За зареждане на акумулаторната батерия

Заредете акумулаторната батерия преди използване за първи път.

Забележка: Процесът на зареждане е възможен само когато температурата на акумулаторната батерия е в рамките на допустимия температурен диапазон на зареждане (0 – 45°C).

1. Свържете захранващия шнур за зарядното устройство в заземен контакт.



ВНИМАНИЕ: Уверете се, че мрежата е с правилните напрежение и честота.

2. Поставете акумулаторната батерия в зарядното устройство. Акумулаторната батерия е свързана към зарядното устройство, когато зеленият светодиод мига. (Фиг. 34)
3. Акумулаторната батерия е напълно заредена, когато зеленият светодиод на зарядното устройство свети. Зареждайте акумулаторната батерия за най-много 24 часа.
4. Разкачете зарядното устройство от мрежата.



ВНИМАНИЕ: Не дърпайте захранващия шнур.

5. Отстранете акумулаторната батерия от зарядното устройство.

Светодиод за състоянието на зарядното устройство на акумулаторната батерия

Червеният светодиод (А) и зеленият светодиод (В) на зарядното устройство показват състоянието на акумулаторната батерия. Направете справка с *Търсене и отстраняване на неизправности на зарядното устройство на страница 42.*

(Фиг. 35)

| Светодиод | Състояние на акумулаторната батерия |
|---------------------------------|--|
| Зеленият светодиод мига бързо. | Акумулаторната батерия се зарежда. |
| Зеленият светодиод мига бавно. | Акумулаторната батерия е заредена на 80%. |
| Зеленият светодиод свети. | Акумулаторната батерия е напълно заредена. |
| Червеният светодиод свети. | Направете справка с <i>Търсене и отстраняване на неизправности на зарядното устройство на страница 42.</i> |
| Червеният светодиод мига бързо. | Направете справка с <i>Търсене и отстраняване на неизправности на зарядното устройство на страница 42.</i> |

Светодиод за състояние на акумулаторната батерия на продукта

Когато акумулаторната батерия е монтирана в продукта, светодиодите на продукта показват състоянието на акумулаторната батерия.

(Фиг. 36)

| Светодиод | Състояние на акумулаторната батерия |
|-----------------------------|--|
| Светодиоди 1, 2 и 3 светят. | Напълно заредена. |
| Светодиоди 1 и 2 светят. | Достатъчно заредена |
| Светодиод 1 свети. | Нивото на зареждане на акумулаторната батерия е ниско. |

| Светодиод | Състояние на акумулаторната батерия |
|-------------------|--|
| Светодиод 1 мига. | Акумулаторната батерия е изтощена. Индикаторът за състояние на акумулаторната батерия мига. Заредете акумулаторната батерия. Направете справка с <i>За зареждане на акумулаторната батерия на страница 39.</i> |

изчакайте минимум 5 секунди. Има риск от нараняване, ако след отстраняването на препятствието продуктът стартира неочаквано.

За спиране на продукта



ПРЕДУПРЕЖДЕНИЕ: Завъртете ключа за безопасност на 0, преди да оставите продукта без надзор.

За стартиране на продукта

1. Отворете капака на акумулаторната батерия.
2. Поставете заредена акумулаторна батерия в държача за акумулаторни батерии.
3. Завъртете ключа за безопасност на 1. (Фиг. 37)
4. Останете зад продукта.
5. Разхлабете блокировката на стартирането. (Фиг. 26)
6. Натиснете ръкохватката за спиращката на двигателя по посока на управлението. (Фиг. 38)

Функция на високо натоварване

Когато продуктът реже дълга или влажна трева, двигателят автоматично повишава оборотите. Двигателят се връща към стандартен режим, когато не е необходимо голямо натоварване.

Спиране на двигателя

По време на работа ножът и двигателят могат да спрат временно поради препятствия, като например натрупване на трева под капака на режещите части. Направете справка с *За почистване на машината на страница 41.*



ПРЕДУПРЕЖДЕНИЕ: Преди да извършите проверка на капака на режещите части, освободете ръкохватката за спиращката на двигателя, завъртете ключа за безопасност на 0, отстранете акумулаторната батерия и

1. Освободете ръкохватката за спиращката на двигателя, за да спрете двигателя. (Фиг. 39)
2. Отворете капака на акумулаторната батерия и завъртете ключа за безопасност на 0. (Фиг. 40)
3. За да отстраните акумулаторната батерия, натиснете бутона за освобождаване и извадете акумулаторната батерия. (Фиг. 41)
4. Заредете акумулаторната батерия, ако е изтощена. За повече информация направете справка с *За зареждане на акумулаторната батерия на страница 39.*

За получаване на добър резултат

- Винаги използвайте остър нож. Косенето със затъпен нож е неравномерно и окосената повърхност пожълтява. При работа с остър нож също така се използва по-малко енергия отколкото при работа със затъпен нож.
- Не отрязвайте повече от $\frac{1}{2}$ от дължината на тревата. Първо, косете със зададена висока височина на рязане. Вижте какъв е резултатът и намалете височината на рязане до подходящо ниво. Ако тревата е много висока, карайте бавно и – ако е необходимо – окосете два пъти.
- Режете всеки път в различни посоки, за да избегнете образуването на линии в моравата.
- Поддържайте капака за рязане чист. Натрупването на трева и замърсявания по вътрешната страна на капака за рязане могат да намалят резултата от рязането. Вижте *За почистване на машината на страница 41.*

Поддръжка

Въведение



ПРЕДУПРЕЖДЕНИЕ: Преди да извършите техническо обслужване, трябва да прочетете и разберете раздела за безопасност.

За всички работи по поддръжката и поправката на продукта е необходимо специално обучение. Осигуряваме предлагане на професионални ремонти и обслужване. Ако Вашият дилър не

предлага сервизно обслужване, говорете с него, за да Ви даде информация за най-близкия сервиз.

За по-подробна информация направете справка с www.husqvarna.com.

Разписане за техническо обслужване

Интервалите за техническо обслужване са изчислени в зависимост от ежедневната употреба на

продукта. Интервалите се променят, ако продуктът не се използва ежедневно.

За техническо обслужване, маркирано със *, вижте инструкциите в *Безопасност на страница 30*.

| | При всяка употреба | Всеки месец | Всеки сезон |
|--|--------------------|-------------|-------------|
| Извършете обща проверка. | X | | |
| Почистете продукта. | X | | |
| Извършете проверка на блокировката на стартирането. * | X | | |
| Уверете се, че устройствата за безопасност на продукта не са дефектни. * | X | | |
| Прегледайте режещото оборудване. | X | | |
| Проверете капака на режещите части. * | X | | |
| Извършете проверка на ръкохватката за спирачката на двигателя. * | X | | |
| Проверете акумулаторната батерия за повреда. | X | | |
| Извършете проверка на заряда на акумулаторната батерия. | X | | |
| Уверете се, че бутонът за освобождаване на акумулаторната батерия работи правилно и че акумулаторната батерия се фиксира на място в продукта. | X | | |
| Проверете зарядното устройство за акумулаторни батерии за повреда и се уверете, че работи правилно. | | X | |
| Проверете връзките между акумулаторната батерия и продукта. Освен това проверете връзката между акумулаторната батерия и зарядното устройство за акумулаторни батерии. | | | X |

За извършване на обща проверка

- Уверете се, че всички гайки и винтове на продукта са затегнати.
- Уверете се, че кабелите на продукта не са в положение, в което могат да бъдат повредени.

За почистване на машината

- Почиствайте пластмасовите части със суха кърпа.
- Не използвайте вода за почистване на продукта. Водата може да навлезе в акумулатора или в двигателя и да причини късо съединение или повреда на продукта.
- Не мийте продукта с устройство за миене под високо налягане.
- Не пръскайте вода директно върху двигателя.
- За отстраняване на листа, трева и прах използвайте четка.

За почистване на акумулаторната батерия и зарядното устройство за акумулаторни батерии



ПРЕДУПРЕЖДЕНИЕ: Не почиствайте акумулаторната батерия или

зарядното устройство за акумулаторни батерии с вода.



ПРЕДУПРЕЖДЕНИЕ: Не използвайте никакви химически вещества за почистване на акумулаторната батерия.

- Преди да поставите акумулаторната батерия в зарядното устройство за акумулаторни батерии, се уверете, че акумулаторната батерия и зарядното устройство за акумулаторни батерии са чисти и сухи.
- Почистете клемите на акумулаторната батерия със състен въздух или използвайте мека и суха кърпа.
- Почистете повърхностите на акумулаторната батерия и зарядното устройство за акумулаторни батерии с мека и суха кърпа.

За проверка на режещото оборудване



ПРЕДУПРЕЖДЕНИЕ: За да предотвратите случайно стартиране, завъртете ключа за безопасност на 0,

отстранете акумулатора и изчакайте най-малко 5 секунди.



ПРЕДУПРЕЖДЕНИЕ: Носете защитни ръкавици, когато ще изпълнявате дейности, свързани с техническото обслужване на режещото оборудване. Ножът е много остър и можете лесно да се порежете.

1. Проверете режещото оборудване за повреди или пукнатини. Винаги заменяйте повреденото режещо оборудване.
2. Погледнете ножа, за да разберете дали не е повреден или затъпен.

Забележка: Необходимо е да балансирате ножа след заточване. Ножът се заточва, сменя и балансира от сервизен център. Ако ударите препятствие и вследствие на това продуктът спре, сменете повредения нож. Оставете специалистите в сервиза да преценят дали ножът ще трябва да се заточи, или да се смени.

За смяна на ножа

Направете справка с *Технически данни на страница 47* за правилния тип нож.



ПРЕДУПРЕЖДЕНИЕ: Фиксирайте ножа с дървено блокче, за да предотвратите нараняването на пръстите Ви при смяна на ножа. Когато двигателят

е изключен, ножът може да се премести и пръстите да бъдат захванати между ножа и неподвижните части.

1. Фиксирайте ножа с дървено блокче. (Фиг. 42)
2. Отстранете болта на ножа.
3. Отстранете ножа.
4. Проверете опората на ножа и болта на ножа, за да видите дали има повреди.
5. Проверете двусекционния вал на двигателя, за да се уверите, че не е огънат.
6. Когато закрепвате новия нож, насочете извитите краища на ножа по посока към капака на режещите части. (Фиг. 43)
7. Уверете се, че ножът е подравнен с центъра на двусекционния вал на двигателя.
8. Фиксирайте ножа с дървено блокче. Закрепете пружинната шайба и затегнете болта и шайбата с въртящ момент 23-28 Nm. (Фиг. 44)
9. Раздвижете ножа на ръка и се уверете, че той се върти свободно.



ПРЕДУПРЕЖДЕНИЕ:

Използвайте ръкавици с висока здравина. Ножът е много остър и можете лесно да се порежете.

10. Стартирайте продукта, за да извършите тест на ножа. Ако ножът не е закрепен правилно, продуктът вибрира или резултатът от косенето е незадоволителен.

Отстраняване на проблеми

Търсене и отстраняване на неизправности на зарядното устройство

| Светодиод на зарядното устройство | Причина | Решение |
|---|--|--|
| Зеленият светодиод свети, а червеният мига. | Акумулаторната батерия не е монтирана правилно в зарядното устройство. | Отстранете акумулаторната батерия от зарядното устройство и след това я монтирайте отново в зарядното устройство. |
| | Клемите на акумулаторната батерия са мръсни. | Почистете клемите на акумулаторната батерия. |
| | Зарядното устройство е открито вътрешна грешка. | Уверете се, че всички акумулаторни батерии са поставени докрай. Отстранете щепсела на захранването и го поставете отново. Ако грешката се появи отново, проверете зарядното устройство в оторизиран център за следпродажбено обслужване за продукти Husqvarna. |
| | Акумулаторната батерия е дефектна. | Сменете акумулаторната батерия. |

| Светодиод на зарядното устройство | Причина | Решение |
|---|---|---|
| Червеният светодиод свети, а зеленият е изгаснал. | Температурата на акумулаторната батерия е извън диапазона на зареждане. | Изчакайте, докато температурата на акумулаторната батерия се върне в рамките на допустимия температурен диапазон на зареждане (0 – 45°C). |
| Зеленият светодиод и червеният светодиод не светят. | Зарядното устройство за акумулаторни батерии не е свързано правилно към контакта на електрическата мрежа. | Свържете зарядното устройство за акумулаторни батерии към контакт на електрическата мрежа. |
| | Неизправен контакт на електрическата мрежа. | Свържете зарядното устройство на акумулаторни батерии към напрежението и честотата, посочени на табелката с данни. |
| | Кабелът на зарядното устройство за акумулаторни батерии е дефектен. | Обърнете се към одобрен сервиз. |
| | Зарядното устройство за акумулаторни батерии е дефектно. | |
| Други грешки. | Ако се проявят други грешки, уверете се, че продуктът е изключен, отстранете акумулаторната батерия и се обърнете към одобрен сервиз. | |

Търсене и отстраняване на неизправности на косачката за трева

Индикаторът за предупреждение (светодиод за грешка) се намира в задната част на продукта зад капака на акумулаторната батерия.

| Проблем | Светодиод за грешка (брой премигвания) | Причина | Решение |
|---|--|---|---|
| Светодиодът за грешка мига. Продуктът не работи правилно. | 5 | Ножът е блокиран. | Завъртете ключа за безопасност на 0, за да предотвратите случайно стартиране. Отстранете акумулаторната батерия и изчакайте минимум 5 секунди. Отстранете потенциалните препятствия и се уверете, че ножът може да се върти свободно. Ако проблемът продължава, се обърнете към одобрен сервиз. |
| | | Оборотите на двигателя спадат прекалено много и двигателят спира. | Увеличете височината на рязане. Направете справка с <i>За задаване на височината на рязане на страница 38</i> . |
| | 10 | Управлението на двигателя е прекалено горещо. | Спрете двигателя и изчакайте, докато се охлади. |

| Проблем | Светодиод за грешка (брой премигвания) | Причина | Решение |
|--|--|---|---|
| Светодиодът за грешка мига. Продуктът спира. | 22 | Температурата на акумулаторната батерия е твърде висока, тъй като температурата на работната среда е твърде висока. | Отстранете акумулаторната батерия от машината и изчакайте да изстине, преди да стартирате машината отново. Уверете се, че температурата на околната среда е правилна. Използвайте акумулаторната батерия при температури между 0°C – +40°C. Ако проблемът продължава, се обърнете към одобрен сервиз. |
| | | Температурата на акумулаторната батерия е твърде висока, тъй като има претоварване в двигателя | Увеличете височината на рязане. Направете справка с <i>За задаване на височината на рязане на страница 38</i> . Ако проблемът продължава, се обърнете към одобрен сервиз. |
| | 0 | Грешка в конектора на акумулаторната батерия. | Проверете конектора на акумулаторната батерия. |
| | 3 | Има претоварване в двигателя. | Увеличете височината на рязане. Направете справка с <i>За задаване на височината на рязане на страница 38</i> . |
| | 9 | Грешка в акумулаторната батерия или липса на сигнал от нея. | Поставете правилно акумулаторната батерия в продукта и проверете конектора на акумулаторната батерия. Ако светодиодът за грешка на акумулаторната батерия мига, направете справка с <i>Търсене и отстраняване на неизправности на зарядното устройство на страница 42</i> . Ако проблемът продължава, се обърнете към одобрен сервиз. |
| | 8 | Акумулаторната батерия е изтощена. | Заредете акумулаторната батерия. Направете справка с <i>За зареждане на акумулаторната батерия на страница 39</i> . |
| | 12 | Неправилна процедура за стартиране. Ръкохватката за спирачката на двигателя е била задействана преди стартирането на двигателя. | Освободете ръкохватката за спирачката на двигателя и изчакайте приблизително 5 секунди. Натиснете ръкохватката за спирачката на двигателя отново надолу, за да стартирате продукта. |
| Други грешки. | Ако възникнат други грешки, завъртете ключа за безопасност на 0, отстранете акумулаторната батерия и се обърнете към одобрен сервиз. | | |

Транспортиране, съхранение и изхвърляне

Въведение



ПРЕДУПРЕЖДЕНИЕ: За да предотвратите случайно стартиране по време на транспортиране и съхранение, завъртете ключа за безопасност на 0, отстранете акумулаторната батерия и изчакайте минимум 5 секунди.

За задаване на продукта в положение при транспортиране

1. Отстранете коша за трева и се уверете, че е празен.
2. Завъртете фиксаторите за заключване на ръкохватката обратно на часовниковата стрелка до отключено положение. (Фиг. 45)
3. Натиснете ръкохватката по посока на задния капак.
4. Завъртете фиксаторите за заключване на ръкохватката по часовниковата стрелка до заключено положение.
5. Завъртете фиксаторите на ръкохватката в отключено положение. (Фиг. 46)
6. Стъпнете ръкохватката надолу, докато чуете щракване. (Фиг. 47)

Направете справка с *За задаване на продукта в положение за съхранение на страница 45* за съхранение на продукта.

Транспортиране

- В сила са изискванията на Законодателството за опасни продукти, отнасящи се до литиево-йонни акумулатори.
- За търговско транспортиране трябва да се спазват специалните изисквания върху опаковката и етикетите.
- Уверете се, че спазвате разпоредбите за опасни материали, когато подготвяте продукта за транспорт. Може да са в сила местни разпоредби.
- Винаги изваждайте акумулатора при транспортиране.
- Поставете тиксо върху конекторите на акумулатора и се уверете, че акумулаторът не може да се движи по време на транспортиране.
- Закрепете продукта по време на транспортиране.

Съхранение

- Оставете продукта да се охлади, преди да го приберете за съхранение.
- Винаги отстранявайте акумулаторната батерия за съхранение.

- За да се предотвратят инциденти, се уверете, че акумулаторната батерия не е свързана към продукта по време на съхранение.
- Съхранявайте зарядното устройство за акумулаторни батерии в затворено и сухо помещение.
- Съхранявайте акумулаторната батерия и зарядното устройство за акумулаторни батерии на сухо място, където няма влага или скреж.
- При съхранение разкачете акумулаторната батерия от зарядното устройство за акумулаторни батерии.
- Не съхранявайте акумулаторната батерия на място, на което може да се натрупа статично електричество. Не съхранявайте акумулаторната батерия в метална кутия.
- Съхранявайте продукта на място, на което температурата на околната среда е между -20°C и $+50^{\circ}\text{C}$.
- Съхранявайте акумулаторната батерия на място, на което температурата на околната среда е между -20°C и $+50^{\circ}\text{C}$, и далеч от слънчева светлина.
- Съхранявайте зарядното устройство за акумулаторни батерии на сухо закрито място, без условия за замръзване.
- Преди прибиране за съхранение за дълги периоди от време се уверете, че акумулаторната батерия е чиста и заредена.
- Съхранявайте продукта, акумулаторната батерия и зарядното устройство за акумулаторни батерии в заключена площ, недостъпна за деца и неупълномощени лица.
- Почистете продукта и се уверете, че кошът за трева е празен.
- Извършвайте процедурите по техническото обслужване, посочени в това ръководство за оператора. Направете справка с *Поддръжка на страница 40*.
- Извършете цялостно сервизно обслужване, преди да приберете продукта за съхранение за дълъг период от време.

За задаване на продукта в положение за съхранение



ПРЕДУПРЕЖДЕНИЕ: За да предотвратите случайно стартиране по време на транспортиране и съхранение, завъртете ключа за безопасност на 0, отстранете акумулаторната батерия и изчакайте минимум 5 секунди.

1. Отстранете акумулаторната батерия.

2. Задайте продукта в положение при транспортиране. Направете справка с *За задаване на продукта в положение при транспортиране на страница 45*.
3. Преместете продукта на мястото на съхранение.

За съхранение на продукта хоризонтално на земята

1. Задайте продукта в положение за съхранение. Направете справка с *За задаване на продукта в положение за съхранение на страница 45*.
2. Закрепете коша за трева. Направете справка с *За закрепване на коша за трева на страница 46*.
3. Съхранявайте продукта хоризонтално на земята. (Фиг. 48)

За съхранение на продукта вертикално на земята

1. Задайте продукта в положение за съхранение. Направете справка с *За задаване на продукта в положение за съхранение на страница 45*.
2. Повдигнете продукта за точките за повдигане на ръкохватката и го поставете вертикално върху равна повърхност. (Фиг. 49)



ПРЕДУПРЕЖДЕНИЕ: Не повдигайте продукта за капака на режещите части. Ножът е много остър и можете лесно да се порежете.

3. Закрепете коша за трева. Направете справка с *За закрепване на коша за трева на страница 46*.
4. Уверете се, че продуктът е стабилен и че 2-те опорни крака докосват пода.
5. Съхранявайте продукта вертикално на земята. (Фиг. 50)

За съхранение на продукта вертикално на предоставената кука



ПРЕДУПРЕЖДЕНИЕ: Окачвайте продукта на стената само с предоставената кука.

1. Монтирайте предоставената кука. Направете справка с *За монтиране на куката на стената на страница 38*.
2. Задайте продукта в положение за съхранение. Направете справка с *За задаване на продукта в положение за съхранение на страница 45*.
3. Повдигнете продукта за точките за повдигане на ръкохватката. (Фиг. 49)



ПРЕДУПРЕЖДЕНИЕ: Не повдигайте продукта за капака на режещите части. Ножът е много остър и можете лесно да се порежете.

4. Окачете продукта вертикално на предоставената кука. Направете справка с *За монтиране на куката на стената на страница 38*. (Фиг. 51)
5. Уверете се, че продуктът е окачен правилно и е стабилен на 2-те пръчки на куката.
6. Закрепете коша за трева. Направете справка с *За закрепване на коша за трева на страница 46*.

За закрепване на коша за трева

1. Закрепете коша за трева към канала отпред на продукта. (Фиг. 52)
2. Натиснете долната част на коша за трева към точката на повдигане, докато чуете щракване. (Фиг. 53)

Изхвърляне

Символите на продукта или на неговата опаковка указват, че този продукт не може да бъде третиран като битов отпадък. Той трябва да бъде подаден в съответната станция за рециклиране на електрическо и електронно оборудване.

Подавайки този продукт на правилното място, Вие спомагате за предотвратяване на потенциалното негативно отражение върху околната среда и хората, което би могло да настъпи иначе в резултат на неправилното изхвърляне на този продукт. За по-подробна информация относно рециклирането на този продукт се свържете с местната администрация, услугите за битови отпадъци или магазина, откъдето сте закупили продукта.

(Фиг. 54)

Само за държави от ЕС: съгласно

Директива 2006/66/ЕО дефектните или използвани акумулаторни батерии трябва да се събират отделно и да се изхвърлят по подходящ за околната среда начин.

Само за Обединеното кралство: съгласно

Регламентите относно отпадъци от акумулаторни батерии и акумулатори от 2009 г. (SI 2009/890) (с изменения) акумулаторните батерии, които вече не могат да се използват, трябва да се събират отделно и да се изхвърлят по екологичен начин.

Технически данни

Технически характеристики

| | |
|---|------------------------|
| | Aspire LC34-P4A |
| Двигател на режещия апарат | |
| Тип на двигателя | BLDC (безчетков) 18 V |
| Обороти на двигателя – номинални, об/мин | 3000 |
| Обороти на двигателя – високо натоварване, об/мин | 3500 |
| Изходна мощност на двигателя – макс. kW | 0,7 |
| Изходна мощност на двигателя – номинална, kW | 0,5 |
| Задвижващ двигател | |
| Изходна мощност на двигателя – номинална, kW | Не е налично |
| Обороти за самостоятелно задвижване, km/h | Не е налично |
| Нива за регулиране на оборотите | Не е налично |
| Тегло | |
| Тегло без торба (без акумулаторна батерия), kg | 11,5 |
| Тегло с торба (вкл. 1 x P4A 18-B72), kg | 13,5 |
| Акумулаторна батерия | |
| Тип акумулаторна батерия | Литиевойонен |
| Време на работа на акумулаторната батерия | |
| Време на работа на акумулаторната батерия, мин, ⁵ | 60 |
| Шумови емисии ⁶ | |
| Ниво на звуковата мощност, измерено, измерена dB (A) | 86 |
| Ниво на звуковата мощност, гарантирано L _{WA} dB (A) | 87 |
| Нива на шума ⁷ | |
| Ниво на звуковото налягане при ухото на оператора, dB (A) | 74 |
| Нива на вибрациите ⁸ | |
| Ръкохватка, m/s ² | 0,5 |
| Режещо оборудване | |

⁵ (свободна работа) при активиран стандартен режим с една акумулаторна батерия Husqvarna 4,0 Ah (P4A 18-B72).

⁶ Емисии на шума в околната среда, измерени като звукова мощност (L_{WA}) в съответствие с директива на ЕО 2000/14/ЕО.

⁷ Отчетените данни за нивото на звуковото налягане имат фактор на несигурност (К) от 1,5 dB(A).

⁸ Отчетените данни за нивата на вибрациите имат фактор на несигурност (К) от 1,5 m/s². Обявената обща стойност на вибрациите е измерена в съответствие със стандарт EN 62841-4-3, приложение I, и може да се използва за сравняване на една машина с друга и при предварителна оценка на излагането.

| | |
|-------------------------------|------------------------|
| | Aspire LC34-P4A |
| Височина на рязане, mm | 30 – 65 |
| Ширина на рязане, cm | 34 |
| Стандартен нож | Combi 5375561-10 |
| Принадлежност за нож | Не е налично |
| Капацитет на коша за трева, l | 30 |

Одобрени акумулаторни батерии

производителност се препоръчва използването на акумулаторни батерии с минимум 4,0 Ah.

Този продукт може да работи с всички акумулаторни батерии **POWER FOR ALL**. За най-добра

| Акумулаторна батерия | P4A 18-B45 | P4A 18-B72 |
|---|-------------------|-------------------|
| Тип | Литиевойонен | Литиевойонен |
| Капацитет на акумулаторната батерия, Ah | 2,5 | 4,0 |
| Номинално напрежение, V | 18 | 18 |
| Тегло, kg | 0,35 | 0,65 |
| Брой клетки (литиевойонни) | 5 | 10 |

Одобрени зарядни устройства за акумулаторни батерии

| Зарядно устройство за акумулатора | P4A 18-C70 |
|-----------------------------------|-------------------|
| Входно напрежение, V | 220 – 240 |
| Честота, Hz | 50 – 60 |
| Мощност, W | 70 |

Декларация за съответствие

Декларация за съответствие на ЕС

Ние, **Husqvarna AB**, SE-561 82 Huskvarna, Швеция,
тел.: +46-36-146500, декларираме на своя собствена
отговорност, че продуктът:

| | |
|----------------------|----------------------------------|
| Описание | Косачка за трева |
| Марка | Husqvarna |
| Тип/модел | Aspire LC34-P4A |
| Идентификация | Серийни номера от 2022 и нататък |

отговаря напълно на следните директиви и
регламенти на ЕС:

| Регламент | Описание |
|------------|--|
| 2006/42/ЕО | "относно машините" |
| 2014/30/ЕС | "относно електромагнитната съвместимост" |
| 2000/14/ЕО | "относно шумовите емисии в околната среда" |
| 2011/65/ЕС | "по отношение на ограничението за използване на определени опасни вещества в електрическо и електронно оборудване" |

и че следните стандарти и/или технически
характеристики са приложени: EN 62841-1:2015/
AC:2015, EN IEC 62841-4-3:2021/A11:2021, EN ISO
12100:2010, EN 55014-1:2021, EN 55014-2:2021, EN
IEC 61000-6-2:2019, EN IEC 61000-6-3:2021, EN IEC
63000:2018

Нотифициран орган: 0404, RISE SMP Svensk
Maskinprovning AB, Box 4053, SE-904 03 Umeå,
Sweden, сертифицира за съответствие с Директива
на съвета 2000/14/ЕО, процедура за оценка на
съответствието: приложение VI.

За информация относно шумови емисии направете
справка с *Технически данни на страница 47*.

Huskvarna, 2022-10-24



Claes Losdal, мениджър "Разработки и развитие/
градински продукти", Husqvarna AB

Отговорен за техническата документация



Авторско право © 2012 – 2020 г. STMicroelectronics

Гаранцията не покрива дефекти, които са в резултат от нормално износване, небрежност, неправилна употреба, неотризиран ремонт или ако смукателният апарат е свързан към неправилно напрежение.

Всички права запазени.

Повторното разпространение и използването в изходна и двоична форма, със или без модификация, са разрешени, при условие че са изпълнени следните условия:

- Повторното разпространение на изходния код трябва да запазва горното уведомление за авторските права, настоящият списък с условия и следния отказ от отговорност.
- Повторното разпространение в двоична форма трябва да възпроизвежда горното уведомление за авторските права, настоящият списък с условия и следния отказ от отговорност в документацията и/или други материали, предоставени с разпространението.
- Нито името на STMicroelectronics, нито имената на неговите сътрудници може да бъдат използвани за одобрение или популяризиране на продукти, получени от този софтуер, без специално предварително писмено разрешение.

ТОЗИ СОФТУЕР СЕ ПРЕДОСТАВЯ ОТ ПРИТЕЖАТЕЛИТЕ НА АВТОРСКИТЕ ПРАВА И СЪТРУДНИЦИТЕ В "НАСТОЯЩО СЪСТОЯНИЕ" И СЕ ОТХВЪРЛЯТ ВСЯКАКВИ ИЗРИЧНИ ИЛИ КОСВЕНИ ГАРАНЦИИ, ВКЛЮЧИТЕЛНО, НО НЕ САМО, КОСВЕНИ ГАРАНЦИИ ЗА ТЪРГОВСКИ КАЧЕСТВА И ПРИГОДНОСТ ЗА ОПРЕДЕЛЕНА ЦЕЛ. В НИКАКЪВ СЛУЧАЙ СОБСТВЕНИКЪТ НА АВТОРСКИТЕ ПРАВА ИЛИ СЪТРУДНИЦИТЕ НЕ НОСЯТ ОТГОВОРНОСТ ЗА ПРЕКИ, КОСВЕНИ, СЛУЧАЙНИ, СПЕЦИАЛНИ, ТИПИЧНИ ИЛИ ПОСЛЕДВАЩИ ЩЕТИ (ВКЛЮЧИТЕЛНО, НО НЕ САМО, ПОЛУЧАВАНЕ НА ЗАМЕСТВАЩИ СТОКИ ИЛИ УСЛУГИ; ЗАГУБА НА ВЪЗМОЖНОСТ ЗА УПОТРЕБА, ДАННИ ИЛИ ПОЛЗИ; ИЛИ ПРЕКЪСВАНЕ НА ТЪРГОВСКАТА ДЕЙНОСТ), НЕЗАВИСИМО ОТ ПРИЧИНАТА И ВИДА ОТГОВОРНОСТ, НЕЗАВИСИМО ДАЛИ ПО ДОГОВОР, ОБЕКТИВНА ОТГОВОРНОСТ ИЛИ УВРЕЖДАНЕ (ВКЛЮЧИТЕЛНО НЕБРЕЖНОСТ ИЛИ ДРУГО), ПРОИЗТИЧАЩИ ПО НИКАКЪВ НАЧИН ОТ ИЗПОЛЗВАНЕТО НА ТОЗИ СОФТУЕР, ДОРИ ПРИ УВЕДОМЯВАНЕ ЗА ВЪЗМОЖНОСТТА ЗА ТАКИВА ЩЕТИ.

Лиценз на Apache 2.0

Авторско право © 2009 – 2019 г. Arm Limited. Всички права запазени.

Версия 2.0, януари 2004 г., <http://www.apache.org/licenses/>

ПРАВИЛА И УСЛОВИЯ ЗА ИЗПОЛЗВАНЕ, ВЪЗПРОИЗВЕЖДАНЕ И РАЗПРОСТРАНЕНИЕ

1. Определения.

"Лиценз" означава правилата и условията за използване, възпроизвеждане и разпространение, определени в раздели от 1 до 9 от настоящия документ. "Лицензодател" означава собственикът на авторските права или субектът, упълномощен от собственика на авторските права, който предоставя Лиценза. "Юридическо лице" означава обединението на действащия субект и всички други субекти, които контролират, се контролират от или са под общ контрол с този субект. За целите на това определение "контрол" означава (i) властта, пряка или непряка, да се ръководи или управлява такъв субект, независимо дали чрез договор или по друг начин, или (ii) собственост върху петдесет процента (50%) или повече от акциите в обръщението, или (iii) бенефициерна собственост на такъв субект. "Вие" (или "Ваш") означава физическото или Юридическо лице, упражняващо разрешението, предоставени от настоящия Лиценз. "Изходна" форма означава предпочитаната форма за извършване на модификации, включително, но не само, изходен код на софтуер, източник на документация и конфигурационни файлове. "Обектна" форма означава всяка форма, получена в резултат на механична трансформация или превод на Изходна форма, включително, но не само, компилиран обектен код, генерирана документация и преобразувания в други видове носители. "Произведение" означава авторското произведение, независимо дали е в Изходна или Обектна форма, предоставено по силата на Лиценза, както е посочено от уведомлението за авторските права, което е включено в или приложено към произведението (пример е даден в приложението по-долу). "Производни произведения" означава всяко произведение, независимо дали е в Изходна, или Обектна форма, което се основава на (или произлиза от) Произведението и за което редакциите, поясненията, уточненията или други модификации представляват като цяло оригинално авторско произведение. За целите на настоящия Лиценз Производните произведения не включват произведения, които остават отделни или просто се свързват (или обвързват по име) с интерфейсите на Произведението и Производните произведения от него. "Принос" означава всяко авторско произведение, включително оригиналната версия на Произведението и всички модификации или добавки към това Произведение или Производни произведения от него, които са умишлено предоставени на Лицензодателя за

включване в Произведението от собственика на авторските права или от физическо лице или Юридическо лице, упълномощено да предоставя от името на собственика на авторските права. За целите на това определение **"предоставено"** означава всяка форма на електронна, устна или писмена комуникация, изпратена до Лицензодателя или негови представители, включително, но не само, комуникация в списъци за електронна поща, системи за контрол на изходния код и системи за проследяване на проблеми, които се управляват от или от името на Лицензодателя с цел обсъждане и подобряване на Произведението, но с изключение на комуникация, която е видимо маркирана или по друг начин обозначена писмено от собственика на авторските права като **"Не е принос"**. **"Сътрудник"** означава Лицензодател и всяко физическо или Юридическо лице, от чието име Лицензодателят е получил Принос, който впоследствие е включен в Произведението.

2. Предоставяне на Лиценз за авторските права.

Съгласно правилата и условията на настоящия Лиценз всеки Сътрудник Ви предоставя постоянен, международен, неизключителен, безплатен, безвъзмезден, неотменим лиценз за авторските права за възпроизвеждане, изготвяне на Производни произведения, публично показване, публично изпълнение, преотстъпване и разпространение на Произведението и такива Производни произведения в Изходна или Обектна форма.

3. Предоставяне на патентен Лиценз.

Съгласно правилата и условията на настоящия Лиценз всеки сътрудник Ви предоставя постоянен, международен, неизключителен, безплатен, безвъзмезден, неотменим (освен посоченото в този раздел) патентен лиценз за изготвяне, използване, предлагане за продажба, продажба, внос или друго прехвърляне на Произведението, като такъв лиценз се прилага само за онова патентно съдържание, лицензируемо от Сътрудника, което неизбежно е нарушено от неговия(те) Принос(и) самостоятелно или чрез комбинация от неговия(те) Принос(и) и Произведението, към което е/са бил(и) предоставен(и) такъв/такива Принос(и). Ако заведете патентно дело срещу който и да било субект (включително насрещен иск или насрещен иск в съдебен процес), твърдейки, че Произведението или Приносът, включен в Произведението, представлява пряко или съпричастно нарушение на патент, тогава всички патентни лицензи, предоставени Ви съгласно настоящия Лиценз за това Произведение, ще бъдат прекратени, считано от датата на завеждане на съдебния спор.

4. Повторно разпространение.

Може да възпроизвеждате и разпространявате копия на Произведението или Производните му произведения на всеки носител със или без

модификации и в Изходна или Обектна форма, при условие че отговаряте на следните условия:

- Трябва да дадете на всички други получатели на Произведението или Производните произведения копие от настоящия Лиценз; и
- Всички модифицирани файлове трябва да съдържат видими уведомления, в които се посочва, че сте променили файловете; и – трябва да запазите в Изходната форма на всички Производни произведения, които разпространявате, всички уведомления за авторските права, патентите, търговските марки и съотнасянията от Изходната форма на Произведението, с изключение на тези уведомления, които не се отнасят до никаква част на Производните произведения; и
- Ако Произведението включва текстов файл **"УВЕДОМЛЕНИЕ"** като част от своето разпространение, тогава всички Производни произведения, които разпространявате, трябва да включват четливо копие на уведомленията за съотнасянията, съдържащи се в такъв файл за УВЕДОМЛЕНИЕ, с изключение на онези уведомления, които не се отнасят до никаква част от Производните произведения, на поне едно от следните места: в рамките на текстов файл за УВЕДОМЛЕНИЕ, разпространяван като част от Производните произведения; в рамките на Изходната форма или документация, ако е предоставена заедно с Производните произведения; или в рамките на дисплей, генериран от Производните произведения, ако и навсякъде, където такива уведомления на трети страни обикновено се появяват. Съдържанието на файла за УВЕДОМЛЕНИЕ е само за информационни цели и не променя Лиценза. Може да добавите Ваши собствени уведомления за съотнасянията в рамките на Производните произведения, които разпространявате, заедно или като допълнение към текста на УВЕДОМЛЕНИЕТО от Произведението, при условие че такива допълнителни уведомления за съотнасянията не могат да се тълкуват като изменение на Лиценза. Може да добавите Ваша собствена декларация за авторските права към Вашите модификации и може да предоставите допълнителни или различни лицензионни правила и условия за използване, възпроизвеждане или разпространение на Вашите модификации или за всякакви Производни произведения като цяло, при условие че използването, възпроизвеждането и разпространението от Ваша страна на Произведението по друг начин отговаря на условията, посочени в настоящия Лиценз.

5. Предоставяне на Приноси.

Освен ако не посочите изрично друго, всеки Принос, умислено предоставен за включване в Произведението от Вас на Лицензодателя, ще бъде съгласно правилата и условията на настоящия

Лиценз без никакви допълнителни правила или условия. Независимо от посоченото по-горе, нищо от съдържащото се в настоящия документ няма да замести или да промени условията на всяко отделно лицензионно споразумение, което може да сте сключили с Лицензодателя по отношение на такива Приноси.

6. Търговски марки.

Настоящият Лиценз не дава разрешение за използване на търговските наименования, търговските марки, марките на услугите или имената на продуктите на Лицензодателя, освен когато се изисква за разумна и обичайна употреба при описание на произхода на Произведението и възпроизвеждане на съдържанието на файла за УВЕДОМЛЕНИЕ.

7. Отказ от отговорност от гаранцията.

Освен ако не се изисква от приложимото законодателство или не е договорено в писмена форма, Лицензодателят предоставя Произведението (и всеки Сътрудник предоставя своите Приноси) на БАЗА "НАСТОЯЩО СЪСТОЯНИЕ" БЕЗ ГАРАНЦИИ ИЛИ УСЛОВИЯ ОТ КАКЪВТО И ДА БИЛО ВИД, изрични или косвени, включително, без ограничение, всякакви гаранции или условия за СОБСТВЕНОСТ, ОТСЪСТВИЕ НА НАРУШЕНИЯ, ТЪРГОВСКИ КАЧЕСТВА или ПРИГОДНОСТ ЗА ОПРЕДЕЛЕНА ЦЕЛ. Вие носите цялата отговорност за определяне на целесъобразността на използването или повторното разпространение на Произведението и поемате всички рискове, свързани с упражняването на разрешенията по настоящия Лиценз. 8. Ограничение на отговорността. В никакъв случай и

съгласно никаква законодателна база, независимо дали при увреждане (включително небрежност), по договор, или по друг начин, освен ако не се изисква от приложимото законодателство (като например умишлени и грубо небрежни действия) или договорено в писмен вид, който и да било Сътрудник не носи отговорност пред Вас за щети, включително преки, косвени, специални, случайни или последващи щети от всякакъв характер, произтичащи в резултат на настоящия Лиценз или извън употребата или невъзможността за употреба на Произведението (включително, но не само, щети, свързани със загуба на репутация, спиране на работа , повреда или неизправност на компютъра, или всички други търговски щети или загуби), дори ако Сътрудникът е бил уведомен за възможността от такива щети.

9. Приемане на гаранция или допълнителна отговорност.

При повторно разпространение на Произведението или Производните произведения от него Вие може да изберете да предложите и да начислите такса за приемане на поддръжка, гаранция, обезщетение или други задължения и/или права за отговорност в съответствие с настоящия Лиценз. Въпреки това при приемането на такива задължения Вие може да действате само от свое име и на своя лична отговорност, а не от името на който и да било Сътрудник, и само ако сте съгласни да обезщетите, защитите и предпазите всеки Сътрудник от всяка понесена отговорност или предявени искиове срещу такъв Сътрудник поради приемането от Ваша страна на такава гаранция или допълнителна отговорност. КРАЙ НА ПРАВИЛАТА И УСЛОВИЯТА

Регистрирани търговски марки

QR Code е регистрирана търговска марка на DENSO WAVE INCORPORATED в Япония.

Obsah

| | | | |
|----------------------------|----|---------------------------------------|----|
| Úvod..... | 53 | Přeprava, skladování a likvidace..... | 66 |
| Bezpečnost..... | 54 | Technické údaje..... | 68 |
| Montáž..... | 60 | Prohlášení o shodě..... | 70 |
| Provoz..... | 61 | licence..... | 71 |
| Údržba..... | 63 | Registrované ochranné známky..... | 73 |
| Odstraňování problémů..... | 64 | | |

Úvod

Popis výrobku

Výrobek je rotační sekačka na trávu s peší obsluhou. Koš na trávu slouží ke sběru posečené trávy. Chcete-li otevřít zadní výhoz trávy, sejměte koš na trávu. Připevňte mulčovací vložku, chcete-li používat posečenou trávu jako hnojivo.

Zamýšlené použití

Výrobek používejte k sečení trávy. K jiným činnostem výrobek nepoužívejte.

Popis výrobku

(Obr. 1)

1. Rukojeť brzd motoru
2. Inhibitor spuštění
3. Řídítka
4. Upevňovací knoflík řídítek
5. Knoflíky řídítek
6. Koš na trávu
7. Mulčovací vložka
8. Zadní kryt
9. Kontrolka LED na výrobku
10. Varovná kontrolka (chybová kontrolka LED)
11. Bezpečnostní klíček
12. Příhrádka na baterii
13. Víko baterie
14. Symboly
15. Páka pro nastavení výšky sečení
16. Baterie (příslušenství)
17. Nabíječka baterie (příslušenství)
18. Červená kontrolka LED
19. Zelená kontrolka LED
20. Zvedací body
21. Háč
22. Návod k používání

Symboly na výrobku

(Obr. 2) VAROVÁNÍ

Stručná příručka

Naskenujte kód QR a zjistěte, jak výrobek používat.



(Obr. 3) Přečtěte si pokyny.

(Obr. 4) **VAROVÁNÍ** – Dávejte pozor na odmrštěné předměty.

(Obr. 5) Udržujte dostatečnou vzdálenost od okolních osob.

(Obr. 6) **VAROVÁNÍ** – Ruce a nohy udržujte mimo dosah nožů.

(Obr. 7) **VAROVÁNÍ** – Před údržbou odpojte baterii.

(Obr. 8) Výrobek ani obal výrobku nelze zlikvidovat jako domácí odpad. Odevzdejte jej ve stanici pro recyklaci elektrických a elektronických zařízení.

(Obr. 9) Štítek s emisemi hluku do okolí podle směrnic a předpisů Evropské unie a Spojeného království a nařízení o regulaci hluku v australském Novém Jižním Walesu „Protection of the Environment Operations (Noise Control) Regulation 2017“. Garantovaná hladina akustického výkonu tohoto výrobku je uvedena v části *Technické údaje na strani 68* a na štítku.

(Obr. 10) Tento nástavec vyhovuje platným směrnici ES.

(Obr. 11) Tento výrobek vyhovuje platným předpisům Spojeného království.

(Obr. 12) Výrobek je chráněn proti kapající vodě.

(Obr. 13) Uvolněním rukojeti brzdy motoru zastavíte.

(Obr. 14) Stlačením rukojeti brzdy motoru nastartujete pohon nožů.

(Obr. 15) Skenovatelný kód.

(Obr. 18) Otočením zamknete nebo odemknete.

Povšimněte si: Další symboly/štítky na výrobku se týkají certifikačních požadavků pro určité obchodní trhy.

Symboly na baterii nebo na nabíječe baterií

(Obr. 19) Odevzdejte výrobek ve stanici pro recyklaci elektrických a elektronických zařízení. (Platí pouze pro Evropu)

(Obr. 20) Baterii používejte pouze ve výrobcích od partnerů systému POWER FOR ALL.

(Obr. 21) Chraňte baterii před teplem, např. před nepřetržitým intenzivním slunečním světlem, ohněm, nečistotami, vodou a vlhkostí. Hrozí nebezpečí výbuchu a zkratu.

(Obr. 16) Nabíječku baterií používejte a skladujte pouze ve vnitřních prostorech.

(Obr. 17) Dvojitá izolace.

Štítek na výrobku

(Obr. 23)

NEBEZPEČÍ – Udržujte ruce a nohy z dosahu.

Odpovědnost za výrobek

Jak uvádí zákon o odpovědnosti za výrobek, neneseme odpovědnost za žádnou škodu způsobenou našim výrobkem, pokud:

- byl výrobek nesprávně opraven.
- byl výrobek opraven pomocí součástí od jiného výrobce nebo součástí, které nejsou výrobcem schváleny.
- má výrobek příslušenství od jiného výrobce nebo příslušenství, které není výrobcem schváleno.
- výrobek nebyl opraven ve schváleném servisním středisku nebo schváleným odborníkem.

Bezpečnost

Definice týkající se bezpečnosti

Varování, upozornění a poznámky slouží jako upozornění na specifické důležité části návodu.



VÝSTRAHA: Používá se v případě nebezpečí úrazu nebo usmrcení obsluhy nebo okolních osob, pokud nejsou dodrženy pokyny uvedené v této příručce.



VAROVÁNÍ: Používá se v případě nebezpečí poškození výrobku, dalších materiálů či škod na majetku v blízkém okolí, pokud nejsou dodrženy pokyny uvedené v této příručce.

Povšimněte si: Používá se k poskytnutí dalších informací, které jsou nezbytné v dané situaci.

Obecná bezpečnostní upozornění k výrobku



VÝSTRAHA: Prohlédněte si všechny bezpečnostní pokyny, pokyny, ilustrace a technické údaje dodané s tímto výrobkem. Při nedodržení některého z pokynů uvedených níže může dojít k úrazu elektrickým proudem, požáru nebo vážnému poranění.

Uložte si veškerá upozornění a pokyny pro použití v budoucnu. Termín „výrobek“ v upozorněních označuje

přístroj napájený ze sítě (kabelem) nebo napájený baterií (bezdrátový).

Bezpečnost pracovního prostoru

- **Udržujte pracovní prostor čistý a dobře osvětlený.** Přeplněné či tmavé prostory nahrávají nehodám.
- **Nepoužívejte produkt ve výbušném prostředí, například v přítomnosti hořlavých kapalin, plynů či prachu.** Výrobek vytváří jiskry, které mohou zapálit prach nebo výpary.
- **Při práci s výrobkem musí být děti i okolostojící osoby v dostatečné vzdálenosti.** Rozptýlení může způsobit, že ztratíte kontrolu nad nástrojem.

Bezpečnost při používání el. energie

- **Zástrčky výrobku musí odpovídat použité elektrické zásuvce. Zástrčku nikdy žádným způsobem neupravujte. U uzemněných výrobků nepoužívejte žádné adaptéry.** Původní zástrčky a odpovídající zásuvky snižují nebezpečí úrazu elektrickým proudem.
- **Zabraňte tělesnému kontaktu s uzemněnými povrchy, např. trubkami, radiátory, sporáky a chladničkami.** Pokud je lidské tělo uzemněno, hrozí větší nebezpečí úrazu el. proudem.
- **Výrobek nevystavujte dešti ani vlhku.** Vniknutí vody do výrobku zvyšuje nebezpečí úrazu elektrickým proudem.
- **Nezacházejte hrubě s napájecím kabelem. Výrobek nikdy nenoste za kabel. Za kabel netahejte a výrobek neodpojujte od sítě taháním za kabel. Nevystavujte napájecí kabel působení tepla, oleje, nepoškozte ho ostrými hranami nebo pohyblivými částmi.** Poškození nebo ohnutí kabel zvyšuje nebezpečí úrazu elektrickým proudem.
- **Při používání výrobku venku použijte prodlužovací kabel určený pro venkovní použití.** Použití kabelu určeného pro venkovní použití snižuje nebezpečí úrazu elektrickým proudem.
- **Pokud je nezbytné pracovat s výrobkem ve vlhkém prostředí, použijte zdroj s proudovým chráničem.** Použití proudového chrániče snižuje nebezpečí úrazu elektrickým proudem.

Osobní bezpečnost

- **Při práci s výrobkem dávejte pozor, sledujte, co děláte, a používejte zdravý rozum. Výrobek nepoužívejte, pokud jste unaveni nebo jste pod vlivem drog, alkoholu či léků.** Při práci s výrobkem stačí okamžik nepozornosti a následkem může být vážný úraz.
- **Používejte osobní ochranné pomůcky. Vždy používejte ochranu zraku.** Ochranné vybavení, např. protiprachová maska, neklouzavá ochranná obuv, přílba nebo ochrana sluchu, použité správným způsobem snižují nebezpečí úrazu.
- **Zabraňte náhodnému spuštění. Před připojením ke zdroji napájení nebo vložením baterií, zvednutím nebo přenášením výrobku se přesvědčte, že je**

vypínač v poloze vypnuto. Přenášení výrobku s prstem na spínači nebo připojování výrobku se zapnutým spínačem ke zdroji napětí zvyšuje riziko nehody.

- **Před zapnutím výrobku odstraňte jakékoliv seřizovací nebo dotahovací klíče.** Klíč ponechaný na rotující části výrobku může způsobit úraz.
- **Nenatahujte se příliš daleko. Neustále pevně stůjte a držte rovnováhu.** Budete tak mít lepší kontrolu nad výrobkem v neočekávaných situacích.
- **Noste vhodný oděv. Nenoste volné oblečení ani šperky. Udržujte vlasy a oděv mimo dosah pohyblivých částí.** Pohyblivé části mohou zachytit volný oděv, šperky nebo dlouhé vlasy.
- **Pokud jsou zařízení přizpůsobena pro připojení odsávací a lapačů prachu, musí být připojeny a správně použity.** Použitím lapačů prachu snižujete rizika spojená s výskytem prachu.
- **Nedovoďte, aby rutina nabytá častým používáním výrobku způsobila, že začnete být neopatrní a budete ignorovat bezpečnostní zásady při zacházení s výrobkem.** Neopatrný úkon může způsobit vážné zranění ve zlomku sekundy.

Použití výrobku a péče o výrobek

- **Výrobek nepřetěžujte. Používejte výrobek, který je pro danou aplikaci určený.** Takový výrobek vykoná práci lépe, bezpečněji a rychleji, pro kterou byl navržen.
- **Výrobek nepoužívejte, pokud nefunguje přepínač pro zapnutí a vypnutí.** Každý výrobek, který nelze ovládat přepínačem, je nebezpečný a musí být opraven.
- **Před jakýmkoli nastavováním, výměnou příslušenství nebo uložení elektrického nástroje odpojte zástrčku od napájení nebo z výrobku vytáhněte baterie, pokud je to možné.** Taková preventivní bezpečnostní opatření snižují riziko náhodného spuštění výrobku.
- **Nepoužívaný výrobek ukládejte mimo dosah dětí a nedovoďte, aby s ním pracovaly osoby, které ho dobře neznají nebo si nepřečtly tento návod k použití.** Výrobky jsou v rukou neproškolených uživatelů nebezpečné.
- **Provádějte údržbu výrobku a příslušenství. Kontrolujte chybné zarovnání nebo spojení pohyblivých částí, poškození jakýchkoliv částí nebo jiné stavy, které mohou ovlivnit provoz výrobku. Pokud je výrobek poškozen, nechte ho před použitím opravit.** Mnohé nehody jsou způsobeny špatnou údržbou výrobků.
- **Udržujte řezací nástroje ostré a čisté.** Správně udržované řezací nástroje s ostrými ostřími jsou méně náchylné k „zakousnutí“ a snadněji se ovládají.
- **Používejte výrobek, příslušenství a další části podle těchto pokynů. V úvahu je třeba brát pracovní podmínky a prováděnou práci.** Použití výrobku k jinému účelu, než pro který je určen, může mít za následek vznik nebezpečné situace.

- **Rukojeti a uchopovací plochy udržujte suché, čisté a bez zbytků oleje a maziva.** Kluzké rukojeti a uchopovací plochy neumožňují bezpečné ovládání a v neočekávaných situacích může dojít ke ztrátě kontroly.

Použití nástrojů napájených z baterie a péče o ně

- **Baterii dobíjejte pouze nabíječkou specifikovanou výrobcem.** Použití nabíječky vhodné pro jeden typ baterie může pro jiný typ baterie představovat nebezpečí vzniku požáru.
- **Výrobky používejte pouze s příslušnými speciálními bateriovými moduly.** Při použití jakékoli jiné baterie hrozí riziko úrazu a požáru.
- **Když baterii nepoužíváte, udržujte ji stranou od kovových předmětů, např. kancelářských sponek, mincí, klíčů, hřebíků, šroubů nebo jiných malých kovových předmětů, které by mohly spojit kontakty baterie.** Při zkratování kontaktů baterie může dojít k popáleninám nebo k požáru.
- **V nevhodných podmínkách může dojít k vytečení kapaliny z baterie; vyvarujte se kontaktu s kapalinou.** Pokud dojde k náhodnému kontaktu, opláchněte postižené místo vodou. Při zasažení očí kapalinou vyhledejte lékařskou pomoc. Kapalina vyteká z baterie může způsobit podráždění nebo popáleniny.
- **Nepoužívejte poškozenou nebo upravenou baterii nebo výrobek.** Poškozené nebo upravené baterie mohou vykazovat neočekávané chování vedoucí k požáru, výbuchu nebo nebezpečí poranění.
- **Nevystavujte baterii ani nástroj ohni a nadměrným teplotám.** Vystavení ohni a teplotám nad 130 °C / 265 °F může způsobit explozi.
- **Dodržujte veškeré pokyny k nabíjení a nenabíjejte baterii ani nástroj mimo rozsah teplot uvedený v pokynech.** Nesprávné nabíjení nebo nabíjení při teplotách mimo uvedený rozsah může mít za následek poškození baterie a zvýšené nebezpečí požáru.

Servis

- **Servis výrobku smí provádět pouze kvalifikovaná osoba za použití identických náhradních součástek.** To zajistí udržení bezpečnosti výrobku.
- **Nikdy neprovádějte servis poškozených baterií.** Servis baterií smí provádět pouze výrobce nebo autorizovaný servis.

Bezpečnostní upozornění pro sekačku

- **Sekačku nepoužívejte při špatném počasí, zvláště pokud hrozí riziko blesku.** Snížíte tak riziko zasažení bleskem.
- **Důkladně zkontrolujte, zda se v prostoru, kde chcete sekačku používat, nenachází žádná zvířata.** Během provozu sekačky může dojít ke zranění divoké zvěře.
- **Prostor, kde chcete sekačku používat důkladně zkontrolujte a odstraňte kameny, klacky, dráty, kosti**

a další předměty. Odmrštěné předměty mohou způsobit zranění.

- **Před sekáním vždy vizuálně zkontrolujte, zda nejsou nůž, šroub nože a sestava nože opotřebené nebo poškozené.** Opotřebené nebo poškozené součásti zvyšují riziko poranění.
- **Často kontrolujte, zda není koš na trávu opotřebený nebo poškozený.** Opotřebený nebo poškozený koš na trávu může zvýšit riziko úrazu.
- **Ochranné kryty stroje musí být vždy připevněny. Ochranné kryty musí být v pořádku a správně připevněny.** Pokud je ochranný kryt uvolněný, poškozený nebo nefunguje správně, může dojít ke zranění.
- **Všechny větrací otvory udržujte čisté.** Ucpané větrací otvory mohou způsobit přehřátí nebo požár.
- **Při manipulaci se sekačkou noste vždy ochrannou protiskluzovou obuv. Sekačku neprovozujte naboso nebo v otevřených sandálech.** Tím snížíte riziko poranění nohou při kontaktu s pohybujícím se sekacím nožem.
- **Při sečení vždy noste dlouhé kalhoty.** Odhalená pokožka zvyšuje riziko zranění odletujícími předměty.
- **Sekačkou nesekejte mokrou trávu. Stroj používejte za chůze, nikdy za běhu.** Snížíte tak riziko uklouznutí, pádu a možného úrazu.
- **Se sekačkou nevjíždějte na příliš strmé svahy.** Snížíte tak riziko ztráty kontroly, uklouznutí, pádu a možného úrazu.
- **Při práci na svazích dbejte na to, abyste stáli pevně, pohybovali se napříč svahem a nikdy ne do kopce nebo z kopce.** Dbejte zvýšené opatrnosti při změně směru. Snížíte tak riziko ztráty kontroly, uklouznutí, pádu a možného úrazu.
- **Při couvání nebo přitahování sekačky k sobě buďte zvláště opatrní. Vždy dávejte pozor na své okolí.** Tím snížíte riziko zakopnutí.
- **Nedotýkejte se nožů ani jiných pohyblivých nebezpečných součástí, dokud se nezastaví.** Tím snížíte riziko poranění pohyblivými součástmi.
- **Před odstraněním uvízlého materiálu nebo čištěním sekačky se ujistěte, že je vše vypnuto a napájecí kabel je odpojen.** Nečekané spuštění sekačky může způsobit vážné zranění.

Proudový chránič

- Používejte zásuvku chráněnou proudovým chráničem s vypínacím proudem nepřesahujícím 30 mA.

Obecné bezpečnostní pokyny



VÝSTRAHA: Před použitím výrobku si přečtěte následující varování.

- Tento výrobek je nebezpečný, nepoužívá-li se správně nebo není-li věnována provozu řádná

pozornost. Nedodržení bezpečnostních pokynů může vést ke zranění nebo usmrcení.

- Tento výrobek vytváří během provozu elektromagnetické pole. Toto pole může za určitých okolností narušovat funkci aktivních či pasivních implantovaných lékařských přístrojů. Za účelem snížení rizika možného zranění nebo smrtelného úrazu doporučujeme osobám s implantovanými lékařskými přístroji poradit se před použitím výrobku s lékařem a s výrobcem implantovaného lékařského přístroje.
- Buďte stále opatrní a používejte zdravý rozum. Nejste-li si jisti, jak ovládat výrobek ve zvláštních situacích, vypněte jej a promluvte si s prodejcem Husqvarna, než budete pokračovat v práci.
- Mějte na paměti, že obsluha je odpovědná za nehody a škody vzniklé jiným osobám nebo na jejich majetku.
- Udržujte výrobek čistý. Ujistěte se, že jsou značky a štítky dobře čitelné.
- Nikdy nedovolte dětem nebo osobám, které se neseznámily s těmito pokyny, aby zařízení používaly. Věk obsluhy může být omezen místními předpisy.
- Vždy sledujte osoby s fyzickým nebo mentálním postižením při práci s výrobkem. Vždy musí být přítomna zodpovědná dospělá osoba.
- Nepoužívejte výrobek, jste-li unavení, nemocní nebo pod vlivem alkoholu, drog nebo léků. To by mohlo ovlivnit váš zrak, ostrážitost, koordinaci a úsudek.
- Nepoužívejte výrobek, pokud je vadný.
- Nikdy neupravujte výrobek a nepoužívejte jej, pokud je možné, že jej upravil někdo jiný.

Bezpečnost práce



VÝSTRAHA: Před použitím výrobku si přečtěte následující varování.

- Tento výrobek používejte výhradně k sečení trávy. Není dovoleno používat výrobek k jiným činnostem.
- Používejte osobní ochranné pomůcky. Další informace jsou uvedeny v části *Osobní ochranné prostředky na straně 57*.
- Ujistěte se, že víte, jak v případě nouze rychle zastavit motor.
- Neprovozujte výrobek v dešti a vlhku. Nebezpečí úrazu elektrickým proudem se zvyšuje, přijde-li výrobek do styku s vodou.
- Neprovozujte výrobek, pokud není správně namontovaný nůž a všechny kryty. V opačném případě by se mohl nůž uvolnit a způsobit zranění osob.
- Zajistěte, aby nůž nenarazil do předmětů, jako jsou kameny a kořeny. Mohlo by dojít k poškození nože a ohnutí hřídele motoru. Ohnutý hřídel způsobuje velké vibrace a hrozí velmi vysoké riziko uvolnění nože.

- Pokud nůž narazí do nějakého předmětu nebo se objeví vibrace, okamžitě zastavte výrobek. Zastavte motor, otočte bezpečnostní klíček do polohy 0 a vyjměte baterii. Vyčkejte na zastavení pohyblivých součástí. Zkontrolujte, zda není výrobek poškozený. Povolené díly dotáhněte. Opravte závady a vyměňte poškozené díly. Opravy by měl provést schválený servis.
- Po nastartování motoru nikdy nepřipevňujte rukojeť brzdy motoru trvale k rukojeti sekačky.
- Umístěte výrobek na stabilní, rovný povrch a nastartujte jej. Zkontrolujte, zda nůž nemůže přijít do kontaktu se zemí nebo cizími objekty.
- Při provozu vždy stůjte za výrobkem.
- Při provozu nechte všechna kola spočívat na zemi a držte rukojeť oběma rukama. Ruce a nohy udržujte mimo dosah rotujících břitů.
- Výrobek nenaklánějte při spouštění motoru nebo během provozu.
- Buďte opatrní při tažení výrobku dozadu.
- Nikdy výrobek nezvedejte, když je spuštěný motor. Pokud musíte výrobek zvednout, nejprve vypněte motor, otočte bezpečnostní klíček do polohy 0 a vyjměte baterii.
- Při provozování výrobku nechoďte směrem dozadu.
- Vypněte motor, pokud je nutné výrobek naklonit kvůli přepravě nebo před přejezdem ploch bez trávy, jako jsou cesty ze štěrku, kamenů nebo asfaltu.
- Neběhejte s výrobkem, když je spuštěný motor. Při provozu výrobku vždy pouze choďte.
- Před změnou výšky sečení vypněte motor. Nikdy neupravujte nastavení při spuštěném motoru.
- Nikdy nenechte výrobek se spuštěným motorem bez dozoru. Vypněte motor a ujistěte se, že se žací ústrojí neotáčí.
- Vibrace spuštěného výrobku se mohou lišit od hodnoty uvedené v části *Technické údaje na straně 68*. Rozdíly způsobují různá použití výrobku. Pokud výrobek provozujete často nebo po delší časové intervaly, dělejte pravidelné přestávky, abyste předešli zraněním způsobeným vibracemi.

Bezpečnostní pokyny pro provoz

Osobní ochranné prostředky



VÝSTRAHA: Před použitím výrobku si přečtěte následující varování.

- Osobní ochranné prostředky nemohou zcela eliminovat nebezpečí úrazu, ale v případě nehody pomáhají snížit míru poranění. Požádejte prodejce, aby vám pomohl vybrat správné vybavení.
- Používejte odolnou obuv s protiskluzovou podrážkou. Nepoužívejte otevřenou obuv ani nepracujte naboso.
- Používejte silné, dlouhé kalhoty.

- Při určitých činnostech používejte ochranné rukavice, například při nasazování, prohlídce nebo čištění žacího ústrojí.
- Doporučujeme používat ochranu sluchu.

Bezpečnostní zařízení na produktu



VÝSTRAHA: Před použitím výrobku si přečtěte následující varování.

- Nepoužívejte výrobek, jehož bezpečnostní zařízení jsou vadná!
- Neodstraňujte ani neupravujte bezpečnostní zařízení.
- Pravidelně kontrolujte bezpečnostní zařízení. Pokud je zařízení vadné, obraťte se na servis Husqvarna.

Kontrola krytu žacího ústrojí

Kryt žacího ústrojí snižuje vibrace výrobku a snižuje nebezpečí poranění nožem.

- Zkontrolujte kryt žacího ústrojí, aby bylo zajištěno, že nevykazuje známky poškození, např. praskliny.

Kontrola bezpečnostního klíčku

Bezpečnostní klíček se nachází pod víkem baterie. Bezpečnostní klíček připojuje baterii, která slouží jako napájecí zdroj motoru.

- Kontrolu funkce bezpečnostního klíčku provedete spuštěním a vypnutím motoru.
- V případě správné funkce bezpečnostního klíčku se motor spustí, pouze když je klíček otočený do polohy 1. (Obr. 24)

Kontrola rukojeti brzdy motoru

Rukojeť brzdy motoru slouží k zastavení motoru. Když uvolníte rukojeť brzdy motoru, motor se zastaví.

- Nastartujte výrobek. Další informace jsou uvedeny v části *Spuštění výrobku na strani 62*.
- Uvolněte rukojeť brzdy motoru. (Obr. 25)
- Ujistěte se, že se výrobek zastavil. Pokud se motor nevykypne během 3 sekund, požádejte schváleného servisního pracovníka Husqvarna o seřízení brzdy motoru.

Kontrola inhibitoru spuštění

Proveďte kontrolu inhibitoru spuštění a ujistěte se, že brání provozu motoru.

1. Zatláče rukojeť brzdy motoru směrem k řídkům. Inhibitor spuštění přeruší pohyb.
2. Zatláče inhibitor spuštění směrem ven. (Obr. 26)
3. Uvolněte inhibitor spuštění a ujistěte se, že se vrátí do své výchozí polohy.

Bezpečnostní pokyny týkající se akumulátorů



VÝSTRAHA: Přečtěte si všechny bezpečnostní a všeobecné pokyny. Při nedodržení bezpečnostních a všeobecných pokynů může dojít k úrazu elektrickým proudem, požáru nebo vážnému poranění. **Všechny bezpečnostní informace a obecné pokyny uschovejte pro budoucí použití.**

- **Tyto bezpečnostní pokyny se vztahují pouze na 18V dobíjecí Li-Ion baterie pro systém POWER FOR ALL.**
- **Dobíjecí baterii používejte pouze v produktech od partnerů systému POWER FOR ALL.** Dobíjecí 18V baterie označené symbolem POWER FOR ALL jsou plně kompatibilní s následujícími výrobky:
 - Všechny výrobky 18V bateriového systému POWER FOR ALL.
 - Všechny 18V výrobky od partnerů systému POWER FOR ALL.
- **Dodržujte doporučení týkající se baterie uvedené v návodu k používání výrobku.** Pouze tímto způsobem lze dobíjecí baterii a výrobek používat bez nebezpečí a chránit dobíjecí baterii před nebezpečným přetížením.
- **Baterie nabíjejte pouze pomocí nabíječek doporučených výrobcem nebo partnery systému POWER FOR ALL.** Nabíječka vhodná pro jeden typ baterie může při použití s jinou baterií představovat nebezpečí požáru.
- **Baterie se dodává částečně nabitá.** Aby byla zajištěna plná kapacita baterie, před prvním použitím elektrického nástroje zcela nabijte baterii v nabíječce baterií.
- **Baterie uchovávejte mimo dosah dětí.**
- **Neotevírejte baterii.** Hrozí nebezpečí zkratů.
- **V případě poškození a nesprávného použití baterie může dojít k úniku výparů. Baterie se může vznítit nebo explodovat.** Ujistěte se, že je prostor dobře větráný, a vyhledejte lékařskou pomoc, pokud se u vás vyskytnou nežádoucí účinky. Výpary mohou dráždit dýchací systém.
- **Při nesprávném použití nebo při poškození baterie může dojít k vytečení hořlavé kapaliny z baterie. Je třeba vyvarovat se kontaktu s touto kapalinou. Pokud dojde k náhodnému kontaktu, opláchněte postižené místo vodou. Pokud se kapalina dostane do kontaktu s očima, vyhledejte další lékařskou pomoc.** Kapalina vyteká z baterie může způsobit podráždění nebo popáleniny.
- **Pokud je baterie poškozená, může dojít k vytečení kapaliny, která může pokrýt okolní povrchy. Zkontrolujte příslušné díly.** Vyčistěte tyto díly nebo je v případě potřeby vyměňte.
- **Baterie se nesmí zkratovat.** Když baterii nepoužíváte, udržujte ji stranou od kovových předmětů, např. kancelářských sponek, mincí, klíčů,

hřebíků, šroubů nebo jiných malých kovových předmětů, které by mohly spojit kontakty baterie.

Při zkratování kontaktů baterie může dojít k popáleninám nebo k požáru.

- **Baterie může být poškozena špičatými předměty, jako jsou hřebíky nebo šroubováky, nebo vnější silou.** Může dojít k vnitřnímu zkratu, který způsobí, že se baterie spálí, bude kouřit, exploduje nebo se začne přehřívat.
- **Nikdy neprovádějte servis poškozených baterií.** Servis baterií smí provádět pouze výrobce nebo autorizovaný servis.
- **Chraňte baterii před teplem, např. před nepřetržitým intenzivním slunečním světlem, ohněm, nečistotami, vodou a vlhkostí.** Hrozí nebezpečí výbuchu a zkratu.
- **Baterii ve výrobku používejte pouze při okolní teplotě v rozsahu 0 °C – +40 °C.**
- **Baterii skladujte pouze při okolní teplotě v rozsahu -20 °C – +50 °C.** Například nenechávejte baterii v létě v autě. Při teplotách < 0 °C může u některých zařízeních dojít ke ztrátě výkonu.
- **Baterii nabíjejte pouze při okolní teplotě v rozsahu 0 až 35 °C.** Dobíjecí baterii nabíjejte pomocí kabelu USB pouze při okolní teplotě v rozsahu 10 až 35 °C. Nabíjení mimo tento teplotní rozsah může zvýšit riziko poškození baterie a představovat nebezpečí požáru.

Bezpečnostní pokyny pro nabíječku baterií



VÝSTRAHA: Přečtěte si všechny bezpečnostní a všeobecné pokyny. Při nedodržení bezpečnostních a všeobecných pokynů může dojít k úrazu elektrickým proudem, požáru nebo vážnému poranění. Tyto pokyny uchovávejte na bezpečném místě. Nabíječku používejte pouze v případě, že můžete plně posoudit všechny funkce a provádět je bez omezení, nebo pokud jste obdrželi příslušné pokyny.

- **Tato nabíječka není určena pro použití dětmi nebo osobami s omezenými fyzickými, smyslovými nebo duševními schopnostmi nebo nedostatkem zkušeností či znalostí.** Tuto nabíječku mohou používat děti od 8 let nebo osoby s omezenými fyzickými, smyslovými nebo duševními schopnostmi či nedostatkem zkušeností nebo znalostí pod dohledem osoby odpovědné za jejich bezpečnost nebo pokud je tato osoba poučila o bezpečném provozu nabíječky a rozumí souvisejícím nebezpečím. V opačném případě hrozí nebezpečí provozních chyb a zranění.
- **Dohlížejte na děti během používání, čištění a údržby.** Tím zajistíte, že děti si s nabíječkou nebudou hrát.
- **Nabíjejte pouze 18V baterie systému POWER FOR ALL s kapacitou 1,5 Ah. Napětí baterie musí odpovídat nabíjecímu napětí nabíječky. Nenabíjejte**

baterie, které nejsou určené k dobíjení. V opačném případě hrozí nebezpečí požáru a výbuchu.

- **Nabíječku používejte pouze v uzavřených prostorech a nevystavujte ji vlhkému prostředí.** Pokud do elektrického nástroje vnikne voda, zvyšuje se nebezpečí úrazu elektrickým proudem.
- **Udržujte nabíječku čistou.** Nečistoty představují nebezpečí úrazu elektrickým proudem.
- **Před použitím vždy zkontrolujte nabíječku, kabel a zástrčku.** Pokud zjistíte jakékoli poškození, přestaňte nabíječku používat. Neotevřete nabíječku sami a nechte ji opravit pouze společností Husqvarna nebo autorizovaným servisním střediskem pro prodeje služeb, které používá výhradně originální náhradní díly. Poškozené nabíječky, kabely a zástrčky zvyšují nebezpečí úrazu elektrickým proudem.
- **Neprovazujte nabíječku na povrchu, který se může snadno vznítit (např. na papíře, textilu atd.) nebo v hořlavém prostředí.** V důsledku zahřívání nabíječky během provozu hrozí nebezpečí požáru.
- **Nezakrývejte větrací otvory nabíječky.** V opačném případě se nabíječka může přehřát a přestane správně fungovat.
- **Baterii dobíjejte pouze nabíječkou specifikovanou výrobcem.** Použití nabíječky vhodné pro jeden typ baterie může pro jiný typ baterie představovat nebezpečí vzniku požáru.
- **V případě poškození a nesprávného použití baterie může také dojít k úniku výparů.** Ujistěte se, že je prostor dobře větráný, a vyhledejte lékařskou pomoc, pokud se u vás vyskytnou nežádoucí účinky. Výpary mohou dráždit dýchací systém.
- **V nevhodných podmínkách může dojít k vytečení kapaliny z baterie. Je třeba vyvarovat se kontaktu s touto kapalinou. Pokud dojde k náhodnému kontaktu, opláchněte postižené místo vodou. Pokud se kapalina dostane do kontaktu s očima, vyhledejte další lékařskou pomoc.** Kapalina vyteká z baterie může způsobit podráždění nebo popáleniny.
- **Produkty prodávané pouze ve Velké Británii:** Váš výrobek je vybaven elektrickou zástrčkou schválenou dle BS 1363/A s vnitřní pojistkou (schválenou dle ASTA pro BS 1362). Pokud zástrčka není vhodná pro zásuvky, je nezbytné, aby ji zástupce autorizovaného zákaznického servisu odpojil a instaloval na její místo vhodnou zástrčku. Náhradní zástrčka by měla mít stejnou jmenovitou hodnotu pojistky jako původní zástrčka. Poškozenou zástrčku je nutné zlikvidovat, aby se předešlo možnému nebezpečí úrazu elektrickým proudem a nikdy ji nevráťte do jiných elektrických zásuvek.

Bezpečnostní pokyny pro údržbu



VÝSTRAHA: Před použitím výrobku si přečtěte následující varování.

- Neúmyslnému spuštění během údržby můžete zabránit tím, že otočíte bezpečnostní klíček do polohy 0 a vyjmete baterii. Před započetím údržby vyčkejte minimálně 5 sekund.
- Provádějte pouze údržbu uvedenou v tomto návodu k používání. Rozsáhlejší zásahy a profesionální opravy musí provést schválený servisní pracovník. Pro další informace se obraťte na nejbližšího servisního pracovníka.
- Správným provedením údržby zvýšíte životnost výrobku a snížíte nebezpečí nehod.
- Poškozené, opotřeбенé či prasklé součásti vyměňte. Vždy používejte originální náhradní díly od výrobce. Jiné náhradní díly mohou výrobek poškodit a zvýšit riziko nehod.
- Abyste zabránili zranění, neodstraňujte ani neupravujte bezpečnostní zařízení.
- Při manipulaci s žacím ústrojím používejte silné rukavice. Nůž je velmi ostrý a může snadno dojít k pořezání.
- Pro dosažení nejlepšího výsledku a bezpečnosti zajistěte, aby byla ostří nože čistá a ostrá.
- Zajistěte pravidelné kontroly a provádění potřebného seřízení a oprav výrobku u servisního pracovníka.
- Dodržujte pokyny pro výměnu příslušenství. Používejte výhradně příslušenství od výrobce.
- Pokud není výrobek, baterie a nabíječka baterií právě v provozu, uchovávejte je samostatně v suchém, vnitřním a uzamčeném prostoru. Zajistěte, aby k výrobku, baterii či nabíječce baterií neměly přístup děti ani nepovolané osoby.

Montáž

Úvod



VÝSTRAHA: Před montáží produktu si přečtěte kapitolu bezpečnosti.



VÝSTRAHA: Neúmyslnému spuštění během montáže můžete zabránit tím, že otočíte bezpečnostní klíček do polohy 0, vyjmete baterii a počkáte alespoň 5 sekund.

Nastavení výšky řídítek

Výrobek má volný rozsah nastavení výšky řídítek. Řídítka lze nastavit na příslušnou výšku mezi dvěma danými body.

1. Nastavte výrobek do provozní polohy. Viz část *Nastavení výrobku do provozní polohy na strani 61*.
2. Otočte upevňovací knoflíky na řídítkách proti směru hodinových ručiček. (Obr. 27)
3. Vytáhněte řídítka do vhodné polohy.
4. Vyrovnajte obě strany řídítek.



VAROVÁNÍ: Pokud nejsou obě strany řídítek ve stejné výšce, výrobek se poškodí.

5. Otočte upevňovací knoflíky na řídítkách ve směru hodinových ručiček.
6. Upevňovací knoflíky zcela utáhněte.

Nasazení koše na trávu

1. Zvedněte zadní kryt.

2. Vyjměte mulčovací vložku.
3. Upevněte sběrací koš k hornímu okraji podvozku.
4. Umístěte spodní část koše na trávu proti kanálu výhozu trávy. (Obr. 28)



VAROVÁNÍ: Zkontrolujte, zda koš na trávu správně těsně přiléhá k šasi výrobku.

Montáž mulčovací vložky

1. Zvedněte zadní kryt a vyjměte koš na trávu.
2. Zatláčte mulčovací vložku do kanálu výhozu trávy, dokud neuslyšíte cvaknutí. (Obr. 29)

Instalace háku na stěnu

- Namontujte hák uvnitř.
- Udržujte hák mimo sluneční světlo a při okolní teplotě $-10\text{ }^{\circ}\text{C}$ až $+70\text{ }^{\circ}\text{C}$.
- Namontujte hák na sádkartonovou stěnu, dřevo nebo betonovou stěnu.



VAROVÁNÍ: Ujistěte se, že zeď unese zatížení minimálně 30 kg.

- Upevněte hák na stěnu pomocí 3 šroubů (A). V případě potřeby použijte hmoždinky (B). (Obr. 30)



VAROVÁNÍ: Ujistěte se, že jsou šrouby vhodné pro použití do konkrétního typu zdi.

- Informace o dostupném příslušenství pro skladování vašeho výrobku získáte u servisního pracovníka Husqvarna.

Provoz

Úvod



VÝSTRAHA: Před používáním produktu je třeba, abyste si přečetli a porozuměli kapitole o bezpečnosti.

Husqvarna Connect

Husqvarna Connect je bezplatná aplikace pro mobilní zařízení. Aplikace Husqvarna Connect dodá vašemu výrobku Husqvarna doplňkové funkce:

- Rozšířené informace o výrobku.
- Informace o dílech a servisu a nápověda pro tyto položky.

Jak začít používat aplikaci Husqvarna Connect

1. Stáhněte si aplikaci Husqvarna Connect do svého mobilního zařízení.
2. V aplikaci Husqvarna Connect se zaregistrujte.
3. Při připojování a registraci výrobku postupujte podle pokynů v aplikaci Husqvarna Connect.

Povšimněte si: Aplikace Husqvarna Connect není dostupná ke stažení na všech trzích. Další informace získáte u svého prodejce poskytujícího servis.

Nastavení výrobku do provozní polohy

1. Otočte knoflíky řídicího páku do nezajištěné polohy. (Obr. 31)
2. Zvedněte řídicí páku nahoru, dokud neuslyšíte cvaknutí. (Obr. 32)



VAROVÁNÍ: Zkontrolujte, zda kabely nejsou příliš napnuté. Pokud je kabel příliš napnutý, může při složení řídicího páku do přepravní polohy dojít k jeho poškození.



VÝSTRAHA: Zkontrolujte, zda jsou řídicí páka zcela vykoplena a v zajištěné poloze.

3. Nastavte výšku řídicího páku. Viz část *Nastavení výšky řídicího páku na straně 60*.

Nastavení výšky sečení

1. Chcete-li zvýšit výšku sečení, posuňte páku pro nastavení výšky sečení dozadu.
2. Posunem páky pro nastavení výšky sečení dopředu výšku sečení snížíte. (Obr. 33)



VAROVÁNÍ: Nenastavujte výšku sečení příliš nízkou. V případě, že není povrch trávníku rovinný, mohou nože přijít do styku se zemí.

Baterie



VÝSTRAHA: Před použitím baterie je třeba, abyste si přečetli a porozuměli kapitole o bezpečnosti. Rovněž je nezbytné, abyste si přečetli a pochopili návod k používání baterie a nabíječky baterií.

Baterii i nabíječku skladujte za správné okolní teploty.

| | Okolní teplota |
|---------------------------|----------------|
| Provoz baterie ve výrobku | 0 °C – +40 °C |
| Nabíjení baterie | 0 °C – +35 °C |

Nabití baterie

Před prvním použitím baterií nabijte.

Povšimněte si: Proces nabíjení je možný pouze v případě, že teplota baterie je v povoleném teplotním rozsahu pro nabíjení (0–45 °C).

1. Připojte napájecí kabel nabíječky k uzemněné zásuvce.



VAROVÁNÍ: Ujistěte se, že zásuvka má správné napětí a frekvenci.

2. Vložte baterii do nabíječky baterií. Baterie je připojena k nabíječce, když bliká zelená kontrolka LED. (Obr. 34)
3. Baterie je plně nabitá, když svítí zelená kontrolka LED na nabíječce. Baterii nabíjejte maximálně po dobu 24 hodin.
4. Odpojte nabíječku ze zásuvky.



VAROVÁNÍ: Netahejte za napájecí kabel.

5. Vyměňte baterii z nabíječky.

Kontrolka LED stavu baterie na nabíječe

Červená kontrolka LED (A) a zelená kontrolka LED (B) na nabíječe ukazují stav baterie. Viz část *Odstraňování problémů s nabíječkou baterií na strani 64*.

(Obr. 35)

| Kontrolka LED | Stav baterie |
|-------------------------------------|---|
| Zelená kontrolka LED rychle bliká. | Baterie se nabíjí. |
| Zelená kontrolka LED pomalu bliká. | Baterie je nabitá na 80 %. |
| Svítil zelená kontrolka LED. | Baterie je plně nabitá. |
| Svítil červená kontrolka LED. | Viz část <i>Odstraňování problémů s nabíječkou baterií na strani 64</i> . |
| Červená kontrolka LED rychle bliká. | Viz část <i>Odstraňování problémů s nabíječkou baterií na strani 64</i> . |

Kontrolka LED stavu baterie na výrobku

Když je baterie instalována ve výrobku, kontrolky LED na výrobku zobrazují stav baterie.

(Obr. 36)

| Kontrolka LED | Stav baterie |
|--------------------------------|--|
| Svítil kontrolky LED 1, 2 a 3. | Plně nabitá. |
| Svítil kontrolky LED 1 a 2. | Dostatečně nabitá. |
| Svítil kontrolka LED 1. | Úroveň nabití baterie je nízká. |
| Bliká kontrolka LED 1. | Baterie je vybitá. Indikátor stavu baterie bliká. Nabíjte baterii. Viz část <i>Nabití baterie na strani 61</i> . |

Spuštění výrobku

1. Otevřete víko baterie.
2. Vložte nabitou baterii do držáku baterie.
3. Otočte bezpečnostní klíček do polohy 1. (Obr. 37)
4. Postavte se za výrobek.
5. Povolte inhibitor spouštění. (Obr. 26)
6. Zatlačte rukojeť brzdy motoru směrem k řidítkům. (Obr. 38)

Funkce vysokého zatížení

Když výrobek seká dlouhou či mokrou travu, motor automaticky zvýší své otáčky. Když není režim vysokého zatížení potřeba, motor se vrátí do standardního režimu.

Zastavení motoru

Během provozu se může nůž a motor dočasně zastavit z důvodu překážek, jako je například nahromadění trávy pod krytem žacího ústrojí. Viz část *Čištění výrobku na strani 63*.



VÝSTRAHA: Před kontrolou stavu žacího ústrojí uvolněte rukojeť brzdy motoru, otočte bezpečnostní klíček do polohy 0, vyjměte baterii a počkejte minimálně 5 sekund. Pokud byste pouze odstranili překážku provozu, hrozí riziko poranění náhodným spuštěním výrobku.

Zastavení výrobku



VÝSTRAHA: Než ponecháte výrobek bez dozoru, otočte bezpečnostní klíček do polohy 0.

1. Zastavte motor uvolněním rukojeti brzdy motoru. (Obr. 39)
2. Otevřete víko baterie a otočte bezpečnostní klíček do polohy 0. (Obr. 40)
3. Chcete-li baterii vyjmout, stiskněte tlačítko pro uvolnění baterie a baterii vytáhněte. (Obr. 41)
4. Pokud je baterie slabá, nabíjte ji. Více informací naleznete v části *Nabití baterie na strani 61*.

Jak docílit dobrých výsledků

- Používejte vždy ostrý nůž. Při použití tupého nože je stříh nepravidelný a posečený povrch trávy žlutne. Ostrý nůž také vyžaduje méně energie než tupý nůž.
- Nesekejte více než 1/3 výšky trávy. Nejprve sekejte se žacími ústrojími nastavenými vysoko. Zkontrolujte výsledek a případně snižte výšku sečení na požadovanou úroveň. Pokud je tráva velmi vysoká, jezděte pomalu a v případě potřeby sekejte 2krát.
- Sekejte vždy v jiném směru, aby na trávníku nevznikly pruhy.
- Udržujte kryt žacího ústrojí čistý. Nahromaděná tráva a nečistoty na vnitřní straně krytu žacího ústrojí mohou snížit výsledek sečení. Další informace jsou uvedeny v části *Čištění výrobku na strani 63*.

Údržba

Úvod

Podrobnější informace jsou uvedeny v části www.husqvarna.com.



VÝSTRAHA: Před prováděním údržby je třeba, abyste si přečetli a porozuměli kapitole o bezpečnosti.

Pro servis a opravy výrobku je nezbytné speciální školení. Garantujeme dostupnost profesionálních oprav a servisu. Pokud neposkytuje prodejce servisní služby, požádejte jej o informace o nejbližším servisu.

Plán údržby

Intervaly údržby se vypočítávají na základě každodenního používání výrobku. Intervaly se mění, není-li výrobek používán denně.

U údržby označené symbolem * vyhledejte pokyny v části *Bezpečnost na strani 54*.

| | Každé použití | Měsíčně | Každou sezónu |
|--|---------------|---------|---------------|
| Proveďte běžnou kontrolu. | X | | |
| Vyčistěte výrobek. | X | | |
| Zkontrolujte inhibitor spuštění. * | X | | |
| Zkontrolujte, zda nejsou vadná bezpečnostní zařízení výrobku. * | X | | |
| Zkontrolujte žací ústrojí. | X | | |
| Zkontrolujte kryt žacího ústrojí. * | X | | |
| Zkontrolujte rukojeť brzdy motoru. * | X | | |
| Zkontrolujte, zda není baterie poškozena. | X | | |
| Zkontrolujte úroveň nabití baterie. | X | | |
| Zkontrolujte, zda na baterii funguje tlačítko pro uvolnění baterie a zda baterie drží ve výrobku. | X | | |
| Zkontrolujte, zda není nabíječka baterií poškozena a ujistěte se, že funguje správně. | | X | |
| Zkontrolujte připojení mezi baterií a výrobkem. Rovněž zkontrolujte připojení mezi baterií a nabíječkou baterií. | | | X |

Provedení běžné kontroly

- Zajistěte, aby byly matice a šrouby na výrobku správně dotažené.
- Zkontrolujte, že kabely výrobku nejsou na místě, kde by mohlo dojít k jejich poškození.

Čištění výrobku

- Plastové části čistěte čistou a suchou utěrkou.
- Nečistěte výrobek vodou. Voda může proniknout do baterie nebo motoru a způsobit zkrat nebo poškození výrobku.
- K čištění výrobku nepoužívejte vodu pod vysokým tlakem.
- Motor nesmí být přímo oplachován vodou.
- Pomocí kartáče odstraňte listí, trávu a nečistoty.

Čištění baterie nebo nabíječky baterií



VÝSTRAHA: Baterii ani nabíječku baterií nečistěte vodou.



VÝSTRAHA: K čištění baterie nepoužívejte žádné chemické látky.

- Než vložíte baterii do nabíječky, zkontrolujte, zda jsou baterie a nabíječka baterie čisté a suché.
- Očistěte kontakty baterie stlačeným vzduchem nebo použijte měkkou a suchou utěrkou.
- Očistěte povrch baterie a nabíječku baterie měkkou a suchou utěrkou.

Kontrola žacího ústrojí



VÝSTRAHA: Neúmyslnému spuštění můžete zabránit tak, že otočíte bezpečnostní klíček do polohy 0, vyjmete baterii a počkáte alespoň 5 sekund.



VÝSTRAHA: Při provádění údržby žacího ústrojí používejte ochranné rukavice. Nůž je velmi ostrý a může snadno dojít k pořezání.

1. Zkontrolujte žací ústrojí ohledně poškození a prasklin. Poškozené žací ústrojí vždy vyměňte.
2. Prohlédněte nůž a zkontrolujte, zda není poškozený nebo tupý.

Povšimněte si: Po ostření je nezbytné nůž vyvážit. Výměnu, ostření a vyvážení nože svěřte servisnímu středisku. Dojde-li k nárazu do překážky, po kterém dochází k vypínání výrobku, vyměňte poškozený nůž. O tom, zda je možné nůž nabrousit či zda je nutné ho vyměnit, rozhodne servisní středisko.

Postup výměny nože

Viz část *Technické údaje na strani 68*, kde naleznete informace o správném typu nože.



VÝSTRAHA: Nůž zajistěte dřevěným špalíkem, abyste při výměně zabránili

zranění prstů. Při vypnutém motoru lze nožem pohybovat a hrozí nebezpečí zachycení prstů mezi nožem a nepohyblivými součástmi.

1. Zajistěte nůž pomocí dřevěného špalíku. (Obr. 42)
2. Demontujte šroub nože.
3. Demontujte nůž.
4. Prohlédněte držák nože a šroub nože a zkontrolujte, zda nejsou poškozené.
5. Prohlédněte hřídel motoru a ujistěte se, že není ohnutý.
6. Při montáži nového nože nasměrujte zahnuté konce nože ve směru krytu žacího ústrojí. (Obr. 43)
7. Zkontrolujte, zda je nůž zarovnaný se středem hřídele motoru.
8. Zajistěte nůž pomocí dřevěného špalíku. Nasadte pružnou podložku a utáhněte šroub a podložku utahovacím momentem 23-28 Nm. (Obr. 44)
9. Otočte nožem rukou a zkontrolujte, zda se volně otáčí.



VÝSTRAHA: Používejte odolné rukavice. Nůž je velmi ostrý a může snadno dojít k pořezání.

10. Nastartujte výrobek a proveďte test nože. Pokud není nůž správně připevněn, výrobek vibruje a výsledky sečení nejsou uspokojivé.

Odstraňování problémů

Odstraňování problémů s nabíječkou baterií

| Kontrolka LED na nabíječce baterií | Příčina | Řešení |
|---|---|--|
| Zelená kontrolka LED svítí a červená kontrolka LED bliká. | Baterie není správně nainstalována v nabíječce. | Vyměňte baterii z nabíječky a znovu ji instalujte do nabíječky. |
| | Konektory baterie jsou znečištěné. | Očistěte konektory baterie. |
| | Nabíječka zjistila vnitřní chybu. | Zkontrolujte, že jsou všechny baterie zcela zasunuty. Odpojte síťovou zástrčku a znovu ji zapojte. Pokud se chyba objeví znovu, nechte nabíječku zkontrolovat v autorizovaném servisním středisku pro výrobky Husqvarna. |
| | Baterie je vadná. | Vyměňte baterii. |
| Červená kontrolka LED svítí a zelená kontrolka LED nesvítí. | Teplota baterie je mimo rozsah pro nabíjení. | Počkejte, dokud teplota baterie nebude opět v povoleném teplotním rozsahu pro nabíjení (0–45 °C). |

| Kontrolka LED na nabíječe baterií | Příčina | Řešení |
|---|---|---|
| Zelená kontrolka LED a červená kontrolka LED nesvídí. | Nabíječka není správně připojena k elektrické zásuvce. | Zapojte nabíječku baterií do síťové zásuvky. |
| | Vadná elektrická zásuvka. | Připojte nabíječku baterií ke zdroji s napětím a frekvencí uvedenými na typovém štítku. |
| | Kabel nabíječky je vadný. | Obrat'te se na schválený servis. |
| | Nabíječka baterií je vadná. | |
| Jiné chyby. | Pokud se objeví jiná chyba, ujistěte se, že je výrobek vypnutý, vyjměte baterii a obra'tte se na schváleného servisního pracovníka. | |

Odstraňování problémů se sekačkou na trávu

Varovná kontrolka (chybová kontrolka LED) se nachází v zadní části výrobku za víkem baterie.

| Problém | Chybová kontrolka LED (počet bliknutí) | Příčina | Řešení |
|---|--|---|--|
| Bliká chybová kontrolka LED. Výrobek nepracuje správně. | 5 | Nůž je zablokovaný. | Otočte bezpečnostní klíček do polohy 0, aby nedošlo k náhodnému spuštění. Vyjměte baterii a počkejte alespoň 5 sekund. Odstraňte případné překážky a zkontrolujte, zda se nůž může volně otáčet. Pokud potíže přetrvávají, obra'tte se na schváleného servisního pracovníka. |
| | | Otáčky motoru klesnou příliš nízkou a motor se zastaví. | Zvyšte výšku sečení. Viz část <i>Nastavení výšky sečení na strani 61</i> . |
| | 10 | Došlo k přehřátí ovládání motoru. | Zastavte motor a počkejte, než vychladne. |

| Problém | Chybová kontrolka LED (počet bliknutí) | Příčina | Řešení |
|---|--|---|--|
| Bliká chybová kontrolka LED. Výrobek se vypíná. | 22 | Teplota baterie je příliš vysoká, protože teplota v pracovním prostředí je příliš vysoká. | Před opětovným spuštěním stroje vyjměte baterii ze stroje a počkejte, až vychladne. Zkontrolujte, že je okolní teplota správná. Baterii používejte při teplotách od 0 °C do +40 °C. Pokud problém přetrvává, obraťte se na schváleného servisního zástupce. |
| | | Teplota baterie je příliš vysoká, protože motor je přetížený. | Zvyšte výšku sečení. Viz část <i>Nastavení výšky sečení na strani 61</i> . Pokud potíže přetrvávají, obraťte se na schváleného servisního pracovníka. |
| | 0 | Selhání konektoru baterie. | Zkontrolujte konektor baterie. |
| | 3 | Motor je přetížený. | Zvyšte výšku sečení. Viz část <i>Nastavení výšky sečení na strani 61</i> . |
| | 9 | Chyba baterie nebo žádný signál z baterie. | Vložte správně baterii do výrobku a zkontroluje konektor baterie. Pokud chybová kontrolka LED na baterii bliká, vyhledejte informace v části <i>Odstraňování problémů s nabíječkou baterii na strani 64</i> . Pokud potíže přetrvávají, obraťte se na schváleného servisního pracovníka. |
| | 8 | Baterie je slabá. | Nabijte baterii. Viz část <i>Nabití baterie na strani 61</i> . |
| | 12 | Nesprávné spuštění. Rukojeť brzd motoru byla aktivována před spuštěním motoru. | Uvolněte rukojeť brzdy motoru a počkejte přibližně 5 sekund. Opětovným zatlačením rukojeti brzdy motoru dolů výrobek spustíte. |
| Jiné chyby. | Pokud se objeví jiná chyba, otočte bezpečnostní klíček do polohy 0, vyjměte baterii a obraťte se na schváleného servisního pracovníka. | | |

Přeprava, skladování a likvidace

Úvod



VÝSTRAHA: Neúmyslnému spuštění během přepravy a skladování můžete zabránit tím, že otočíte bezpečnostní klíček do polohy 0, vyjměte baterii a počkáte alespoň 5 sekund.

Nastavení produktu do přepravní polohy

1. Sundejte koš na trávu a ujistěte se, že je prázdný.
2. Otočte upevňovací knoflíky na řídkách proti směru hodinových ručiček do nezajištěné polohy. (Obr. 45)

3. Zatlačte řídky směrem k zadnímu krytu.
4. Otočte upevňovací knoflíky na řídkách ve směru hodinových ručiček do zajištěné polohy.
5. Otočte knoflíky řídků do nezajištěné polohy. (Obr. 46)
6. Sklopte řídky, dokud neuslyšíte cvaknutí. (Obr. 47)

Viz část *Nastavení výrobku do polohy pro uskladnění na strani 67*, kde naleznete informace o skladování výrobku.

Přeprava

- Na dodané Li-ion baterie se vztahují požadavky legislativy o nebezpečném zboží.

- Při komerční přepravě musí být dodrženy speciální požadavky na balení a označení.
- Při přípravě výrobku k přepravě nezapomeňte dbát předpisů pro nebezpečné materiály. Mohou platit místní předpisy.
- Při přepravě vždy vyjměte baterii.
- Přeplepte konektory baterie páskou a zajistěte, aby se baterie při přepravě nemohla pohybovat.
- Během přepravy výrobek zajistěte.

Skladování

- Před uložením nechte výrobek vychladnout.
- Při skladování baterii vždy vyjměte.
- Abyste zabránili nehodám, zajistěte, aby při skladování nebyla baterie připojená k výrobku.
- Nabíječku baterií uchovávejte na uzavřeném a suchém místě.
- Baterii a nabíječku baterií uchovávejte na suchém místě, kde nehrozí vlhkost či mráz.
- Při skladování baterii odpojte od nabíječky baterií.
- Neskladujte baterii v místech, kde může docházet k výbojům statické elektřiny. Neskladujte baterii v kovovém obalu.
- Umístěte výrobek na místo, kde je teplota v rozsahu -20 až $+50$ °C.
- Baterii uchovávejte na místě s teplotou mezi -20 a $+50$ °C a mimo dosah slunečních paprsků.
- Nabíječku baterie skladujte na suchém a uzavřeném místě, kde nemrzne.
- Ujistěte se, že je baterie před dlouhodobým uskladněním čistá a nabitá.
- Produkt, baterii a nabíječku baterií skladujte v uzamčeném prostoru mimo dosah dětí a nepovolných osob.
- Vyčistěte výrobek a ujistěte se, že je koš na trávu prázdný.
- Proveďte postupy údržby uvedené v tomto návodu k používání. Viz část *Údržba na strani 63*.
- Před dlouhodobým skladováním proveďte kompletní údržbu výrobku.

Nastavení výrobku do polohy pro uskladnění



VÝSTRAHA: Neúmyslnému spuštění během přepravy a skladování můžete zabránit tím, že otočíte bezpečnostní klíček do polohy 0, vyjměte baterii a počkáte alespoň 5 sekund.

1. Vyjměte baterii.
2. Nastavte výrobek do přepravní polohy. Viz část *Nastavení produktu do přepravní polohy na strani 66*.
3. Přesuňte výrobek na místo skladování.

Skladování výrobku na zemi ve vodorovné poloze

1. Nastavte výrobek do polohy pro uskladnění. Viz část *Nastavení výrobku do polohy pro uskladnění na strani 67*.
2. Připevněte koš na trávu. Viz část *Připevnění koše na trávu na strani 67*.
3. Skladujte výrobek na zemi ve vodorovné poloze. (Obr. 48)

Skladování výrobku na zemi ve svislé poloze

1. Nastavte výrobek do polohy pro uskladnění. Viz část *Nastavení výrobku do polohy pro uskladnění na strani 67*.
2. Zvedněte výrobek za zvedací body na řídicích a umístěte výrobek svisle na rovný povrch. (Obr. 49)



VÝSTRAHA: Nezvedejte výrobek za kryt žacího ústrojí. Nůž je velmi ostrý a může snadno dojít k pořezání.

3. Připevněte koš na trávu. Viz část *Připevnění koše na trávu na strani 67*.
4. Zkontrolujte, zda je výrobek stabilní a obě opěrné nohy se dotýkají podlahy.
5. Skladujte výrobek na zemi ve svislé poloze. (Obr. 50)

Skladování výrobku ve svislé poloze na dodaném háku



VÝSTRAHA: Výrobek zavěste na stěnu pouze pomocí dodaného háku.

1. Namontujte dodaný hák. Viz část *Instalace háku na stěnu na strani 60*.
2. Nastavte výrobek do polohy pro uskladnění. Viz část *Nastavení výrobku do polohy pro uskladnění na strani 67*.
3. Zvedněte výrobek za zvedací body na řídicích. (Obr. 49)



VÝSTRAHA: Nezvedejte výrobek za kryt žacího ústrojí. Nůž je velmi ostrý a může snadno dojít k pořezání.

4. Zavěste výrobek svisle na dodaný hák. Viz část *Instalace háku na stěnu na strani 60*. (Obr. 51)
5. Zkontrolujte, zda výrobek správně visí a je stabilní na obou tyčích háku.
6. Připevněte koš na trávu. Viz část *Připevnění koše na trávu na strani 67*.

Připevnění koše na trávu

1. Koš na trávu připevněte k drážce na přední straně výrobku. (Obr. 52)

2. Spodní část koše na trávu zatlačte na zvedací bod, dokud neuslyšíte cvaknutí. (Obr. 53)

Likvidace

Symbole na výrobku nebo jeho obalu označují, že tento výrobek nesmí být likvidován jako domácí odpad. Musí být odevzdán do příslušné recyklační stanice pro recyklaci elektrických a elektronických zařízení.

Zajištěním odpovídající likvidace tohoto výrobku pomůžete zabránit potenciálnímu negativnímu dopadu na životní prostředí a zdraví lidí, který by jinak mohl být důsledkem nesprávné likvidace tohoto výrobku. Podrobnější informace o recyklaci tohoto výrobku

získáte na městském úřadě, u služby zajišťující zpracování domácího odpadu nebo v prodejně, kde jste výrobek zakoupili.

(Obr. 54)

Pouze pro země EU: Podle směrnice 2006/66/ES musí být vadné nebo použité bateriové zdroje nebo baterie shromažďovány odděleně a likvidovány ekologicky.

Pouze pro Spojené království: Podle nařízení o odpadních bateriích a akumulátorech z roku 2009 (SI 2009/890) (ve znění pozdějších předpisů) musí být bateriové zdroje / baterie, které již nelze používat, shromažďovány odděleně a likvidovány ekologicky.

Technické údaje

Technické údaje

| Aspire LC34-P4A | |
|---|-----------------------------|
| Žací motor | |
| Typ motoru | BLDC (bezkomutátorový) 18 V |
| Otáčky motoru – jmenovité, ot/min | 3 000 |
| Otáčky motoru – vysoké zatížení, ot/min | 3500 |
| Výkon motoru – max., kW | 0,7 |
| Výkon motoru – jmenovitý, kW | 0,5 |
| Hnací motor | |
| Výkon motoru – jmenovitý, kW | Není k dispozici |
| Rychlost vlastního pojezdu, km/h | Není k dispozici |
| Úrovně rychlosti | Není k dispozici |
| Hmotnost | |
| Hmotnost bez koše (bez baterie), kg | 11,5 |
| Hmotnost s košem (vč. 1x P4A 18-B72), kg | 13,5 |
| Baterie | |
| Typ baterie | Lithium-iontová |
| Doba provozu baterie | |
| Provozní doba baterie, min ⁹ | 60 |
| Emise hluku ¹⁰ | |
| Hladina akustického výkonu, změřená dB (A) | 86 |
| Hladina akustického výkonu, zaručená L _{WA} dB (A) | 87 |
| Hladiny hluku ¹¹ | |

⁹ (volný chod) s aktivovaným standardním režimem, s jednou baterií Husqvarna 4,0 Ah (P4A 18-B72).

¹⁰ Emise hluku do okolního prostředí měřené jako akustický výkon (L_{WA}) v souladu se směrnicí 2000/14/ES.

¹¹ Uváděná data pro hladinu akustického tlaku mají faktor odchylky (K) 1,5 dB (A).

| | |
|--|------------------------|
| | Aspire LC34-P4A |
| Hladina akustického tlaku na sluch obsluhy, dB (A) | 74 |
| Úrovně vibrací¹² | |
| Řídítka, m/s ² | 0,5 |
| Žací ústrojí | |
| Výška sečení, mm | 30–65 |
| Šířka sečení, cm | 34 |
| Nůž standardní | Combi 5375561-10 |
| Příslušenství nože | Není k dispozici |
| Kapacita koše na trávu, l | 30 |

Schválené baterie

doporučujeme používat baterie s kapacitou minimálně 4,0 Ah.

Tento výrobek lze používat se všemi bateriemi **POWER FOR ALL**. Pokud chcete dosáhnout optimálního výkonu,

| Baterie | P4A 18-B45 | P4A 18-B72 |
|-----------------------|-----------------|-----------------|
| Typ | Lithium-iontová | Lithium-iontová |
| Kapacita baterie, Ah | 2,5 | 4,0 |
| Jmenovité napětí, V | 18 | 18 |
| Hmotnost, kg | 0,35 | 0,65 |
| Počet článků (Li-ion) | 5 | 10 |

Schválené nabíječky baterií

| Nabíječka baterií | P4A 18-C70 |
|-------------------|------------|
| Vstupní napětí, V | 220–240 |
| Frekvence, Hz | 50–60 |
| Výkon, W | 70 |

¹² Uváděná data pro hladinu vibrací mají faktor odchylky (K) 1,5 m/s². Deklarovaná celková hodnota vibrací byla měřena podle normy EN 62841-4-3, příloha I a lze ji použít ke vzájemnému porovnávání strojů i k předběžnému zhodnocení působení na uživatele.

Prohlášení o shodě

Prohlášení o shodě EU

Společnost **Husqvarna AB**, SE-561 82 Huskvarna,
Švédsko, tel.: +46-36-146500, na svou výhradní
odpovědnost prohlašuje, že výrobek:

| | |
|---------------------|-----------------------------------|
| Popis | Sekačka na trávu |
| Značka | Husqvarna |
| Typ/Model | Aspire LC34-P4A |
| Identifikace | Výrobní čísla od roku 2022 a dále |

je zcela ve shodě s následujícími směrnicemi a předpisy
EU:

| Nařízení | Popis |
|-----------------|---|
| 2006/42/ES | „o strojních zařízeních“ |
| 2014/30/EU | „o elektromagnetické kompatibilitě“ |
| 2000/14/ES | „týkající se emisí hluku do okolního prostředí“ |
| 2011/65/EU | „o omezení používání některých nebezpečných látek v elektrických a elektronických zařízeních“ |

a že byly použity následující normy nebo technické
specifikace: EN 62841-1:2015/AC:2015, EN IEC
62841-4-3:2021/A11:2021, EN ISO 12100:2010,
EN 55014-1:2021, EN 55014-2:2021, EN IEC
61000-6-2:2019, EN IEC 61000-6-3:2021, EN IEC
63000:2018

Oznámený subjekt: 0404, RISE SMP Svensk
Maskinprovning AB, Box 4053, SE-904 03 Umeå,
Sweden obdržel osvědčení o shodě se směrnicí rady
2000/14/ES, postup posouzení shody: Dodatek VI.

Informace o emisích hluku najdete v části *Technické
údaje na strani 68*.

Huskvarna, 2022-10-24



Claes Losdal, ředitel vývoje zahradního sortimentu,
Husqvarna AB

Osoba odpovědná za technickou dokumentaci



Copyright © 2012–2020 STMicroelectronics

Záruka se nevztahuje na vady vzniklé běžným opotřebením, nedbalostí, vadným používáním, neautorizovanou opravou sacího zařízení připojeného k nesprávnému napětí.

Všechna práva vyhrazena.

Redistribuce a použití ve zdrojových a binárních formách, s úpravami nebo bez nich, jsou povoleny za předpokladu, že jsou splněny následující podmínky:

- Redistribuce zdrojového kódu musí obsahovat výše uvedeně upozornění na autorská práva, tento seznam podmínek a následující zřeknutí se odpovědnosti.
- Redistribuce v binární formě musí obsahovat výše uvedeně upozornění na autorská práva, tento seznam podmínek a následující zřeknutí se odpovědnosti v dokumentaci nebo jiných materiálech poskytnutých s distribucí.
- Název společnosti STMicroelectronics ani názvy jejích příspěvatelů nesmí být použity k propagaci ani v rámci reklamních aktivit spojených s výrobky odvozenými od tohoto softwaru bez předchozího písemného souhlasu.

TENTO SOFTWARE POSKYTUJÍ DRŽITELÉ AUTORSKÝCH PRÁV A PŘÍSPĚVATELÉ „TAK, JAK JE“, A VEŠKERÉ VÝSLOVNÉ ČI PŘEDPOKLÁDANÉ ZÁRUKY, VČETNĚ, MIMO JINÉ, PŘEDPOKLÁDANÝCH ZÁRUK OBCHODOVATELNOSTI A VHODNOSTI PRO KONKRÉTNÍ ÚČEL, JSOU VYLOUČENY. ZA ŽÁDNÝCH OKOLNOSTÍ NEPONESE VLASTNÍK AUTORSKÝCH PRÁV ANI PŘÍSPĚVATELÉ ZODPOVĚDNOST ZA ŽÁDNÉ PŘÍMÉ, NEPŘÍMÉ, NÁHODNÉ, ZVLÁŠTNÍ, EXEMPLÁRNÍ NEBO NÁSLEDNÉ ŠKODY (VČETNĚ, MIMO JINÉ, NÁKUPU NÁHRADNÍHO ZBOŽÍ NEBO SLUŽEB, ZTRÁTY POUŽITÍ, DAT NEBO ZISKU NEBO PŘERUŠENÍ PODNIKÁNÍ), JAKKOLI ZPŮSOBENÉ A NA ŽÁKLADĚ JAKÉKOLI TEORIE ODPOVĚDNOSTI, AŽ UŽ SMLUVNÍ, OBJEKTIVNÍ ODPOVĚDNOSTI NEBO OBČANSKOPRÁVNÍM VZTAHEM (VČETNĚ NEDBALOSTI NEBO JINAK) VYPLÝVAJÍCÍ Z POUŽÍVÁNÍ TOHOTO SOFTWARE, A TO I V PŘÍPADĚ, ŽE JSOU NA MOŽNOST TAKOVÉ ŠKODY UPOZORNĚNI.

Licence Apache 2.0

Copyright © 2009–2019 Arm Limited. Všechna práva vyhrazena.

Verze 2.0, leden 2004 <http://www.apache.org/licenses/>
PODMÍNKY POUŽITÍ, REPRODUKCE A DISTRIBUCE

1. Definice.

„**Licencí**“ se rozumí podmínky použití, reprodukce a distribuce definované v částech 1 až 9 tohoto dokumentu. „**Poskytovatelem licence**“ se rozumí vlastník autorských práv nebo subjekt oprávněný vlastníkem autorských práv, který licenci uděluje. „**Právním subjektem**“ se rozumí sdružení jednatelského subjektu a všech ostatních subjektů, které kontrolují tento subjekt, jsou kontrolovány tímto subjektem nebo jsou s tímto subjektem pod společnou kontrolou. Pro účely této definice se „**kontrolou**“ rozumí i) moc, přímá nebo nepřímá, která způsobuje řízení nebo vedení tohoto subjektu, ať už smluvně nebo jinak, nebo ii) vlastnictví padesáti procent (50 %) nebo více akcií v oběhu, nebo iii) skutečné vlastnictví takového subjektu. „**Vy***“ („**váš**“) znamená jednotlivce nebo právní subjekt využívající oprávnění udělená touto licencí. „**Zdrojovou**“ formou se rozumí upřednostněná forma pro provádění úprav, včetně, mimo jiné, zdrojového kódu softwaru, zdroje dokumentace a konfiguračních souborů. „**Cílovou**“ formou se rozumí jakákoliv forma vyplývající z mechanické transformace nebo překladu zdrojové formy, včetně, mimo jiné, sestaveného cílového kódu, vygenerované dokumentace a převodů na jiné typy médií. „**Dílem**“ se rozumí autorské dílo, ať už ve zdrojové nebo cílové formě, které je zpřístupněno v rámci licence, jak je uvedeno v upozornění na autorská práva, které je zahrnuto v díle nebo které je k němu připojeno (příklad je uveden v příloze níže). „**Odvozenými díly**“ se rozumí jakékoli dílo, ať už ve zdrojové nebo cílové formě, které je založeno na díle (nebo od něj odvozeno) a pro které redakční revize, anotace, zpracování nebo jiné úpravy představují jako celek původní autorské dílo. Pro účely této licence odvozená díla nezahnují díla, která zůstávají oddělitelná od díla nebo se pouze propojují (nebo se vážou jménem) s rozhraními díla a z něho odvozených děl. „**Příspěvkem**“ se rozumí jakékoli autorské dílo, včetně původní verze díla a jakýchkoli úprav nebo dodatků k tomuto dílu nebo z něho odvozeným dílům, které je záměrně předloženo poskytovateli licence k zařazení do díla vlastníkem autorských práv nebo jednotlivcem či právním subjektem oprávněným k předložení jménem vlastníka autorských práv. Pro účely této definice se „**předložením**“ rozumí jakákoliv forma elektronické, verbální nebo písemné komunikace zasláná poskytovateli licence nebo jeho zástupcům, včetně, mimo jiné, komunikace na seznamech elektronické pošty, systémech kontroly zdrojových kódů a systémech sledování vydání, které spravuje poskytovatel licence nebo jsou spravovány jeho jménem za účelem diskutování a zlepšení díla, avšak s výjimkou komunikace, která je jasně označena nebo jinak písemně označena vlastníkem autorských práv jako „**Není příspěvek**“. „**Příspěvatelem**“ se rozumí poskytovatel licence a jakýkoli jednotlivec nebo právní subjekt, jménem kterého poskytovatel licence obdržel příspěvek, který následně začlenil do díla.

2. Udělení licence k autorským právům.

V souladu s podmínkami této licence vám každý příspěvatel tímto uděluje trvalou, celosvětovou, nevýhradní, bezplatnou, neodvolatelnou licenci k autorským právům na reprodukci, přípravu odvozených děl, veřejné zobrazení, veřejné provedení, poskytnutí sublicence a distribuci díla a takovýchto odvozených děl ve zdrojové nebo cílové formě.

3. Udělení patentové licence.

V souladu se smluvními podmínkami této licence vám každý příspěvatel tímto uděluje trvalou, celosvětovou, nevýhradní, bezplatnou, neodvolatelnou (s výjimkou případů uvedených v této části) patentovou licenci k výrobě, nechání si vyrobit, používání, nabízení k prodeji, prodeji, importování a jinému přenosu díla, kde tato licence platí pouze pro patentové nároky licencovatelné takovýmto příspěvatelem, které jsou nezbytně porušovány samotným příspěvkem (příspěvký) nebo kombinací jejich příspěvku (příspěvků) do díla, pro které byl takovýto příspěvek (příspěvky) předložen. Pokud vedete patentový spor proti jakémukoli subjektu (včetně protizáložby nebo protinároku v soudním sporu) tvrdící, že dílo nebo příspěvek začleněný do díla představuje přímé nebo nepřímé porušení patentu, poté budou veškeré patentové licence udělené vám na základě této licence pro toto dílo ukončeny ke dni podání takového sporu.

4. Redistribuce.

Kopie díla nebo jeho odvozených děl můžete reprodukovat a distribuovat na jakémkoli médiu, s úpravami nebo bez nich a ve zdrojové nebo cílové formě za předpokladu, že splňujete následující podmínky:

- Musíte dát všem ostatním příjemcům díla nebo odvozených děl kopii této licence; a
- Musíte zajistit, že jakékoli upravené soubory budou obsahovat upozornění, že jste soubory změnili; a musíte ve zdrojové formě jakýchkoli odvozených děl, která distribuujete, ponechat veškerá oznámení o autorských právech, patentech, ochranných známkách a autorství ze zdrojové formy díla, s výjimkou těch oznámení, která se nevztahují k žádné části odvozených děl; a
- Pokud dílo obsahuje textový soubor „OZNÁMENÍ“ jako součást jeho distribuce, potom jakákoli odvozená díla, která distribuujete, musí obsahovat čitelnou kopii oznámení o autorství obsažených v tomto souboru OZNÁMENÍ, s výjimkou těch oznámení, která se nevztahují k žádné části odvozených děl, alespoň na jednom z následujících míst: v textovém souboru OZNÁMENÍ distribuovaném jako součást odvozených děl; v rámci zdrojové formy nebo dokumentace, pokud je poskytována společně s odvozenými díly; nebo v rámci zobrazení generovaného odvozenými díly, pokud a kdekoli se taková oznámení třetích stran obvykle objevují. Obsah souboru OZNÁMENÍ je pouze informativní

a neupravuje licenci. Můžete přidávat vlastní oznámení o autorství v rámci odvozených děl, která distribuujete, společně s textem OZNÁMENÍ nebo jako dodatek k textu OZNÁMENÍ z díla, za předpokladu, že taková další oznámení o autorství nelze vykládat jako úpravu licence. K vašim úpravám můžete přidat vlastní prohlášení o autorských právech a můžete poskytnout další nebo jiné licenční smluvní podmínky pro použití, reprodukci nebo distribuci vašich modifikací nebo pro jakákoli takováto odvozená díla jako celek za předpokladu, že vaše použití, reprodukce a distribuce díla jinak splňují podmínky uvedené v této licenci.

5. Předkládání příspěvků.

Pokud výslovně neuvedete jinak, jakýkoli příspěvek, který jste úmyslně předložili poskytovateli licence k zařazení do díla, musí být za smluvních podmínek této licence bez jakýchkoli dalších smluvních podmínek. Bez ohledu na výše uvedené nic v tomto dokumentu nenahrazuje ani nemění podmínky jakékoli samostatné licenční smlouvy, kterou jste mohli s poskytovatelem licence uzavřít ohledně těchto příspěvků.

6. Ochranné známky.

Tato licence neuděluje povolení používat obchodní názvy, ochranné známky, značky služeb nebo názvy produktů poskytovatele licence, s výjimkou případů, kdy je to vyžadováno pro přiměřené a obvyklé použití při popisu původu díla a reprodukci obsahu souboru OZNÁMENÍ.

7. Odmítnutí záruky.

Není-li to vyžadováno příslušným zákonem nebo dohodnuto písemně, poskytovatel licence poskytuje dílo (a každý příspěvatel poskytuje své příspěvky) „TAK, JAK JE“, BEZ ZÁRUK NEBO PODMÍNEK JAKÉHOKOLI DRUHU, at' už výslovných nebo předpokládaných, včetně, mimo jiné, jakýchkoli záruk nebo podmínek VLASTNICTVÍ, NEPORUŠENÍ PRÁV, OBCHODOVATELNOSTI nebo VHODNOSTI PRO KONKRÉTNÍ ÚČEL. Nesete výhradní odpovědnost za stanovení vhodnosti používání nebo redistribuci díla a berete na sebe veškerá rizika spojená s vašim uplatněním oprávnění v rámci této licence. 8. Omezení odpovědnosti. V žádném případě a podle žádné právní teorie, at' už občanskoprávní (včetně nedbalosti), smluvní nebo jiné, pokud to nevyžadují platné zákony (jako jsou úmyslné a hrubě nedbalé činy) nebo tak není písemně dohodnuto, vám nebude jakýkoli příspěvatel odpovědný za škody, včetně přímých, nepřímých, zvláštních, náhodných nebo následných škod jakéhokoli charakteru, vyplývající z této licence nebo z použití nebo nemožnosti použití díla (včetně, mimo jiné, poškození v důsledku ztráty dobrého jména, zastavení práce, selhání nebo nesprávné funkce počítače nebo jakýchkoli a veškerých ostatních obchodních škod nebo ztrát), i když takový příspěvatel byl informován o možnosti takových škod.

9. Přijetí záruky nebo další odpovědnosti.

Při redistribuci díla nebo jeho odvozených děl se můžete rozhodnout nabídnout a účtovat poplatek za přijetí podpory, záruky, odškodnění nebo jiných závazků odpovědnosti nebo práv v souladu s touto licencí. Při přijímání těchto závazků však můžete jednat pouze svým jménem a na svou výhradní odpovědnost,

nikoli jménem jiného přispěvatele, a pouze pokud souhlasíte s odškodněním, obranou a zbavením každého přispěvatele jakékoli odpovědnosti, která přispěvateli vznikla, nebo nároků, které vůči němu byly uplatněny, z důvodu vašeho přijetí takové záruky nebo další odpovědnosti. KONEC SMLUVNÍCH PODMÍNEK

Registrované ochranné známky

Kód QR je registrovaná ochranná známka společnosti DENSO WAVE INCORPORATED v Japonsku.

Indhold

| | | | |
|----------------------|----|---|----|
| Indledning..... | 74 | Transport, opbevaring og bortskaffelse..... | 87 |
| Sikkerhed..... | 75 | Tekniske data..... | 89 |
| Montering..... | 81 | Overensstemmelseserklæring..... | 91 |
| Drift..... | 82 | Licenser..... | 92 |
| Vedligeholdelse..... | 84 | Registrerede varemærker..... | 94 |
| Fejlfinding..... | 85 | | |

Indledning

Produktbeskrivelse

Produktet er en roterende plæneklipper med gående fører. Græsset opsamles i en græsopsamler. Fjern græsopsamleren for at få bagudkast af græsset. Monter bioklipprop, og klip græsset til gødning.

Anvendelsesformål

Brug produktet til at slå græs. Brug ikke produktet til andre opgaver.

Lynvejledning

Scan QR-koden for at få råd om, hvordan du bruger produktet.



Produktoversigt

(Fig. 1)

1. Motorbremsehåndtag
2. Startspærre
3. Styr / håndtag
4. Låsegreb på håndtaget
5. Reguleringshåndgreb
6. Græsopsamler
7. BioClip®-prop
8. Bageste dæksel
9. LED på produktet
10. Advarselsindikator (fejl-LED)
11. Sikkerhedsnøgle
12. Batterirum
13. Batterilåg
14. Symboler
15. Klippehøjdehåndtag
16. Batteri (tilbehør)
17. Batterioplader (tilbehør)
18. Rød lysdiode
19. Grøn lysdiode
20. Løftepunkter
21. Krog
22. Brugervejledning

Symboler på produktet

(Fig. 2) ADVARSEL

(Fig. 3) Læs instruktionerne.

(Fig. 4) ADVARSEL - Pas på genstande, der slynges ud.

- (Fig. 5) Hold andre personer på afstand.
- (Fig. 6) ADVARSEL - Hold hænder og fødder væk fra klingerne.
- (Fig. 7) ADVARSEL - Frakobl batteriet før vedligeholdelse.
- (Fig. 8) Produktet og produktemballagen er ikke almindeligt husholdningsaffald. Aflever det på en genbrugsstation til elektrisk og elektronisk udstyr.
- (Fig. 9) Mærkat vedrørende emission af støj til omgivelserne i henhold til direktiver og regulativer i EU og Storbritannien og New South Wales' lovgivning om "Beskyttelse af miljøet (støjbegrensning) forordning 2017". Produktets garanterede lydeffektniveau er angivet i *Tekniske data på side 89* og på mærkaten.
- (Fig. 10) Dette udstyr er i overensstemmelse med gældende CE-direktiver.
- (Fig. 11) Dette produkt er i overensstemmelse med gældende UK-bestemmelser.
- (Fig. 12) Produktet er drypbeskyttet.
- (Fig. 13) Slip motorbremsehåndtaget for at stoppe.
- (Fig. 14) Tryk på motorbremsehåndtaget for at starte drevet til bladene.
- (Fig. 15) Kode, der kan scannes.
- (Fig. 18) Drej for at låse eller låse op.

Bemærk: Andre symboler/mærkater på produktet henviser til certificeringskrav på visse markeder.

Symboler på batteriet og/eller på batteriopladeren

- (Fig. 19) Aflever produktet på en genbrugsstation for elektrisk og elektronisk udstyr. (Gælder kun Europa)
- (Fig. 20) Brug kun batteriet i produkter fra POWER FOR ALL-systempartnere.
- (Fig. 21) Beskyt batteriet mod varme, f.eks. mod konstant kraftigt sollys, ild, snavs, vand og fugt. Der er risiko for eksplosion og kortslutning.
- (Fig. 22)
- (Fig. 16) Brug og opbevar kun batteriopladeren indendørs.
- (Fig. 17) Dobbelt isolering.

Mærkat på produktet

- (Fig. 23)
FARE – Hold hænder og fødder væk.

Produktansvar

Som nævnt i produktansvarsbestemmelserne hæfter vi ikke for skader forårsaget af vores produkt, hvis:

- produktet er forkert repareret.
- produktet er repareret med dele, der ikke er fra producenten eller ikke er godkendt af producenten
- produktet har tilbehør, der ikke er fra producenten eller ikke er godkendt af producenten.
- produktet ikke er repareret på et godkendt servicecenter eller af en godkendt myndighed.

Sikkerhed

Sikkerhedsdefinitioner

Advarsler, forholdsregler og bemærkninger bruges til at pege på særligt vigtige dele af brugsanvisningen.



ADVARSEL: Bruges, hvis føreren udsætter sig selv eller omkringstående personer for risiko for personskade eller dødsfald ved tilsidesættelse af instruktionerne i brugsanvisningen.



BEMÆRK: Bruges, hvis der er risiko for skader på produktet, andre materialer eller det omgivende område ved tilsidesættelse af instruktionerne i brugsanvisningen.

Bemærk: Bruges til at give yderligere oplysninger, der er nødvendige i en given situation.

Generelle sikkerhedsadvarsler for produktet



ADVARSEL: Læs alle sikkerhedsadvarsler, instruktioner, illustrationer og specifikationer, der følger med dette produkt. Hvis du ignorerer de nedenfor anførte instruktioner, kan det medføre elektrisk stød, brand og/eller alvorlige skader.

Opbevar alle advarsler og instruktioner til senere brug. Betegnelsen "produkt" i advarslerne henviser til dit produkt, som drives af strøm fra elektricitetsnettet (med ledning) eller fra batteri (ledningfrit).

Sikkerhed i arbejdsområdet

- Hold arbejdsområdet rent og godt oplyst. Rodede eller mørke områder er en invitation til ulykker.
- Betjen ikke produktet i områder med eksplosionsfare som f.eks. i nærheden af brændbare væsker, luftarter eller støv. Produktet danner gnister, som kan antænde støvet eller dampene.
- Hold børn og omkringstående personer væk, mens produktet betjenes. Distraction kan få dig til at miste styringen.

Elektrisk sikkerhed

- Stikket på produktet skal passe til stikkontakten. Man må aldrig ændre på stikket. Benyt ikke adapterstik i forbindelse med jordet produkt. Uændrede stik og passende stikkontakter reducerer risikoen for elektrisk stød.
- Undgå kropskontakt med jordede genstande som f.eks. rør, radiatorer, komfurer og køleskabe. Der er øget risiko for elektrisk stød, hvis din krop har forbindelse til jord.
- Udsæt ikke produkter for regn eller våde omgivelser. Vand, som trænger ind i et produkt, øger risikoen for elektrisk stød.
- Behandl kablet forsigtigt. Benyt aldrig ledningen til at bære eller trække produktet eller til at trække stikket ud. Hold ledningen væk fra varme, olie, skarpe kanter eller bevægelige dele. Beskadigede eller filtrede kabler forøger risikoen for elektrisk stød.
- Når du betjener et produkt udendørs, skal du benytte en forlængerledning, der egner sig til udendørs brug. Brug af en ledning, der er egnet til udendørs brug, reducerer risikoen for elektrisk stød.
- Hvis det ikke kan undgås at arbejde med et produkt under fugtige forhold, skal der benyttes en elforsyning, som er beskyttet med en fejlstrømsafbryder (RCD). En fejlstrømsafbryder nedsætter risikoen for elektrisk stød.

Personlig sikkerhed

- Vær opmærksom, hold øje med, hvad du foretager dig, og brug sund fornuft, når du betjener et produkt.

Benyt ikke et produkt, hvis du er træt eller er påvirket af narkotika, alkohol eller medicin. Et øjeblikvis uopmærksomhed under betjening af produkter kan resultere i alvorlig personskade.

- Bær personligt beskyttelsesudstyr. Brug altid beskyttelsesbriller. Beskyttelsesudstyr som støvmaske, skridsikre sikkerhedssko, beskyttelseshjelm eller høreværn, som benyttes til de relevante formål vil nedsætte risikoen for personskade.
- Sørg for at forhindre uønsket start af værktøjet. Sørg for, at kontakten er i frakoblet position, før du slutter produktet til strømkilden og/eller batterienheden, samt når du tager eller bærer produktet. At bære produkter med fingern på kontakten eller at sætte strøm til produkter med tændt kontakt udgør en risiko for ulykker.
- Fjern alle indstillingsværktøjer og skrueøgler, før elværktøjet tændes. En skrueøgler eller et værktøj, der efterlades fastsiddende i en roterende del af produktet, kan forårsage personskade.
- Stræk dig ikke for langt. Sørg for altid at have god fodfæste og god balance. Dette sikrer bedre kontrol over produktet i uventede situationer.
- Bær det korrekte tøj. Undgå at bære løstsiddende tøj eller smykker. Hold hår og tøj væk fra bevægelige dele. Løst tøj, smykker eller langt hår kan blive fanget af bevægelige dele.
- Hvis der forefindes udstyr til støvudsugning og -opsamling, skal du sikre, at det er tilsluttet, og at det bruges korrekt. Brug af støvopsamling kan nedbringe støvelaterede farer.
- Lad ikke erfaringen fra tidligere brug af produkter gøre dig eftergivende, så du ignorerer sikkerhedsprincipperne for produktet. En uforsigtig handling kan give alvorlige skader på en brøkdæl af et sekund.

Brug og pleje af produktet

- Tving aldrig produktet. Brug det korrekte produkt til din opgave. Det korrekte produkt udfører arbejdet bedre og mere sikkert ved den hastighed, som det er konstrueret til.
- Brug ikke produktet, hvis kontakten ikke kan slå det til og fra. Ethvert produkt, som ikke kan styres med kontakten, er farligt og skal repareres.
- Tag stikket ud af stikkontakten og/eller fjern batterienheden, hvis den kan tages ud, fra produkter, før du foretager justeringer, skifter tilbehør eller sætter dem til opbevaring. Denne form for forebyggende sikkerhedsforanstaltninger nedsætter risikoen for, at produktet sættes i gang ved et uheld.
- Når de ikke er i brug, skal produkter opbevares uden for børns rækkevidde, og personer, der ikke er bekendt med produktet eller disse instruktioner, må ikke kunne komme til at betjene produktet. Produkter er farlige i hænderne på utrænede brugere.
- Vedligeholdelse af produkter og tilbehør. Kontrollér, om bevægelige dele sidder korrekt, eller om de binder. Se også efter, om der er defekte dele, og

kontrollér alle andre forhold, som kan påvirke driften af produktet. Hvis produktet er beskadiget, skal det repareres, før det bruges igen. Mange ulykker skyldes dårligt vedligeholdte produkter.

- **Hold skæreprodukter skarpe og rene.** Korrekt vedligeholdte skæreprodukter med skarpe klinger er mindre tilbøjelige til at binde og er lettere at styre.
- **Benyt produktet, tilbehøret, værktøjsbits osv. i overensstemmelse med disse instruktioner, og tag højde for arbejdsforholdene og det arbejde, der skal udføres.** Hvis produktet bruges til andre formål end de tiltænkte, kan der opstå en farlig situation.
- **Hold håndtag og gribefflader tørre, rene og frie for olie og fedt.** Glatte håndtag og gribefflader muliggør ikke sikker håndtering og kontrol af produktet i uventede situationer.

Brug og pleje af batteriredskaber

- **Genoplad kun med den oplader, som producenten foreskriver.** En oplader, der egner sig til en bestemt type batteripakke, kan medføre risiko for brand, hvis den benyttes sammen med en anden batteripakke.
- **Brug kun produkter sammen med de batterienheder, der er beregnet specifikt til dem.** Brug af andre batterienheder medfører risiko for skader og brand.
- **Når batterienheden ikke anvendes, skal du holde den væk fra andre metalgenstande, såsom papir, clips, mønter, nøgler, søm, skruer eller andre små metalgenstande, der kan kortslutte polerne.** Kortslutning af batteripolerne kan forårsage forbrændinger eller brand.
- **Under ugunstige forhold kan der sprøjte væske ud fra batteriet, undgå kontakt.** Hvis væsken alligevel berøres, skal der skylles med vand. Hvis du får væske i øjnene, skal du søge læge. Væske, der trænger ud af batteriet, kan forårsage irritation og ætsningssskader.
- **Brug ikke en batteripakke eller et værktøj, som er beskadiget eller modificeret.** Beskadigede eller modificerede batterier kan opføre sig uforudsigeligt og medføre brand, eksplosion eller risiko for personskade.
- **Udsæt ikke en batteripakke eller et værktøj for brand eller høje temperaturer.** Udsættelse for brand eller temperatur over 130 °C / 265 °F kan forårsage eksplosion.
- **Følg alle opladningsanvisninger, og oplad ikke batteripakken eller værktøjet uden for det temperaturområde, der er angivet i instruktionerne.** Forkert opladning eller opladning ved temperaturer uden for det specificerede område kan beskadige batteriet og øge risikoen for brand.

Service

- **Få en kvalificeret reparatør til at foretage service på produktet, og brug kun originale reservedele.** Dette sikrer, at produktet altid fungerer sikkert.
- **Der må aldrig udføres service på beskadigede batteripakker.** Service på batteripakker bør

kun udføres af producenten eller autoriserede serviceudbydere.

Sikkerhedsadvarsler for plæneklippere

- **Brug ikke plæneklipperen i dårligt vejr, specielt hvis der er risiko for lynnedslag.** Dette mindsker risikoen for at blive ramt af lynnedslag.
- **Undersøg grundigt det område, hvor plæneklipperen skal bruges, for at se, om der er dyr.** Vilde dyr kan komme til skade af plæneklipperen under betjening.
- **Undersøg grundigt det område, hvor plæneklipperen skal bruges, og fjern alle sten, pinde, kabler, knogler og andre uvedkommende genstande.** Udkastede genstande kan forårsage alvorlige personskader.
- **Før brug skal plæneklipperen altid efterses visuelt for at se, at kniven, knivbolten og knivheden ikke er slidte eller beskadigede.** Beskadigede eller slidte dele øger risikoen for personskade.
- **Græsopsamleren skal hyppigt kontrolleres for slitage og effektivitetsforringelse.** En slidt eller beskadiget græsopsamlere kan øge risikoen for personskade.
- **Hold skærmene på plads. Skærmene skal være i driftsklar stand og monteret korrekt.** En skærm, der er løs, beskadiget eller ikke fungerer korrekt, kan medføre personskade.
- **Hold alle køleluftsindtag fri for snavs.** Blokerede luftindtag og snavs kan medføre overophedning eller risiko for brand.
- **Brug altid skridsikkert og beskyttende fodtøj, når du betjener plæneklipperen. Betjen ikke plæneklipperen med bare fødder eller åbne sandaler.** Dette reducerer risikoen for, at fødderne kommer i kontakt med den bevægelige kniv.
- **Bær altid lange bukser, når du betjener plæneklipperen.** Blotlagt hud øger sandsynligheden for skader fra udslyngede genstande.
- **Betjen ikke plæneklipperen i vådt græs. Gå. Løb aldrig.** Dette reducerer risikoen for at glide og falde, hvilket kan medføre personskade.
- **Betjen ikke plæneklipperen på meget stejle skrånninger.** Dette reducerer risikoen for tab af kontrol og for at glide og falde, hvilket kan medføre personskade.
- **Når du arbejder på skrånninger, skal du altid være sikker på, at du står godt fast. Arbejd altid på tværs af skrånninger, aldrig op eller ned, og udvis stor forsigtighed, når du skifter retning.** Dette reducerer risikoen for tab af kontrol og for at glide og falde, hvilket kan medføre personskade.
- **Vær yderst forsigtig, når du bakker eller trækker plæneklipperen mod dig selv. Vær altid opmærksom**

på omgivelserne. Dette reducerer risikoen for at snuble under drift.

- **Rør ikke ved knive og andre farlige bevægelige dele, mens de stadig er i bevægelse.** Dette reducerer risikoen for personskade som følge af bevægelige dele.
- **Når du fjerner fastsiddende materiale eller rengør plæneklipperen, skal du sørge for, at alle kontakter er slået fra, og at netledningen er frakoblet.** Uventet betjening af plæneklipperen kan medføre alvorlig personskade.

Fejlstrømsafbryder

- Brug en fejlstrømsafbryder med en udløsningsstrøm på maks. 30 mA.

Generelle sikkerhedsinstruktioner



ADVARSEL: Læs følgende advarselsinstruktioner, inden du bruger produktet.

- Dette produkt er farligt, hvis det bruges forkert, eller hvis du ikke er forsigtig. Personskade eller dødsfald kan forekomme, hvis du ikke overholder sikkerhedsinstruktionerne.
- Dette produkt danner et elektromagnetisk felt under betjening. Dette felt kan i nogle tilfælde påvirke aktive eller passive medicinske implantater. For at reducere risikoen for alvorlige eller dødbringende kvæstelser anbefaler vi, at personer med medicinske implantater kontakter deres læge og producenten af det medicinske implantat, før de tager produktet i brug.
- Vær altid forsigtig, og brug din sunde fornuft. Hvis du ikke er sikker på, hvordan produktet betjenes en særlig situation: Stop, og kontakt Husqvarna forhandleren, inden du fortsætter.
- Vær opmærksom på, at føreren er ansvarlig for ulykker, der involverer andre personer eller disses ejendom.
- Hold produktet rent. Sørg for, at skilte og mærkater er tydeligt læsbare.
- Lad aldrig børn eller personer, der ikke kender apparatet, bruge det. Der kan være lokale regler for, hvor gammel brugeren skal være.
- Hold altid øje med personer med nedsat fysisk eller mental kapacitet, der bruger produktet. En voksen skal være til stede hele tiden.
- Brug ikke produktet, hvis du er træt, syg eller påvirket af alkohol, narkotika eller medicin. Det har en negativ virkning på synet, overblikket, koordinationsevnen og dømmekraften.
- Brug ikke produktet, hvis det er fejlbehæftet.
- Foretag ikke ændringer på produktet, og undlad at bruge det, hvis der er risiko for, at det er blevet ændret af andre.

Arbejdssikkerhed



ADVARSEL: Læs følgende advarselsinstruktioner, inden du bruger produktet.

- Brug kun produktet til græsslåning. Det er ikke tilladt at bruge det til andre opgaver.
- Bær personligt beskyttelsesudstyr. Se *Personligt beskyttelsesudstyr på side 79*.
- Sørg for, at du ved, hvordan du standser motoren hurtigt i nødstilfælde.
- Betjen ikke produktet i regn eller våde omgivelser. Risikoen for elektriske stød øges, hvis der trænger vand ind i produktet.
- Betjen ikke produktet, medmindre kniven og alle afskærmninger er monteret korrekt. En forkert monteret klinge kan løse sig og forårsage personskade.
- Sørg for, at kniven ikke rammer genstande som f.eks. sten og rødder. Det kan beskadige klingens og bøj motorakslen. En bøjet aksel giver kraftige vibrationer og stor risiko for, at kniven løsner sig.
- Hvis kniven rammer en genstand, eller der opstår vibrationer, skal du straks standse produktet. Stands motoren, drej sikkerhedsnøglen til 0, og afmonter batteriet. Vent, indtil bevægelige dele stopper. Undersøg, om produktet er blevet beskadiget. Spænd løse dele. Reparér skader, og udskift beskadigede dele. Lad et godkendt serviceværksted udføre reparationen.
- Fastgør aldrig motorbremsehåndtaget permanent på styret, når motoren er startet.
- Anbring produktet på et stabilt, fladt underlag, og start det. Sørg for, at kniven ikke rammer jorden eller andre genstande.
- Hold dig altid bag produktet, mens du betjener det.
- Lad alle hjulene blive på jorden, og hold 2 hænder på styret, når du betjener produktet. Hold hænder og fødder på sikker afstand af de roterende knive.
- Vip ikke produktet, når du starter motoren eller under betjening af produktet.
- Vær forsigtig, når du trækker produktet baglæns.
- Løft aldrig produktet, når motoren er startet. Hvis du skal løfte produktet, skal du først stoppe motoren, dreje sikkerhedsnøglen til 0 og afmontere batteriet.
- Gå ikke baglæns, når du bruger produktet.
- Stands motoren, når det er nødvendigt at vippe produktet i forbindelse med transport, eller før du kører på tværs af områder uden græs, f.eks. stier lavet af grus, sten og asfalt.
- Undlad at køre med produktet, når motoren er startet. Gå altid fremad, når du bruger produktet.
- Stands motoren, inden du ændrer klippehøjden. Udfør aldrig justeringer, mens motoren kører.
- Efterlad aldrig produktet uden opsyn, når motoren er startet. Stands motoren, og sørg for, at skæreudstyret ikke roterer.

- Vibrationerne i produktet under betjening kan være forskellige fra den angivne vibrationsværdi i *Tekniske data på side 89*. Forskellen skyldes variationer i, hvordan produktet anvendes. Hvis du bruger produktet ofte eller i længere tid ad gangen, skal du holde pauser regelmæssigt for at undgå skader som følge af vibrationer.

Sikkerhedsinstruktioner for drift

Personligt beskyttelsesudstyr



ADVARSEL: Læs følgende advarelsinstruktioner, inden du bruger produktet.

- Personligt beskyttelsesudstyr udelukker ikke fuldstændigt risikoen for personskader, men det mindsker graden af skaderne i tilfælde af, at der skulle ske en ulykke. Lad forhandleren hjælpe dig med at vælge det rigtige udstyr.
- Brug kraftige, skridsikre støvler eller sko. Brug ikke åbne sko, og gå heller ikke på bare fødder.
- Brug kraftige, lange bukser.
- Brug om nødvendigt beskyttelseshandsker, f.eks. ved montering, eftersyn eller rengøring af skæreudstyret.
- Vi anbefaler brugen af høreværn.

Sikkerhedsanordninger på produktet



ADVARSEL: Læs følgende advarelsinstruktioner, inden du bruger produktet.

- Brug ikke et produkt med defekte sikkerhedsanordninger.
- Du må ikke fjerne eller foretage ændringer af sikkerhedsanordninger.
- Kontrollér sikkerhedsanordningerne regelmæssigt. Hvis sikkerhedsanordningerne er defekte, skal du henvende dig til dit Husqvarna-serviceværksted.

Sådan kontrolleres klippeskjoldet

Klippeskjoldet mindsker vibrationer i produktet og reducerer risikoen for skader fra klingens.

- Undersøg klippeskjoldet for at sikre, at der ikke er skader såsom revner.

Sådan kontrolleres sikkerhedsnøglen

Sikkerhedsnøglen er under batterilåget.

Sikkerhedsnøglen forbinder det batteri, der forsyner motoren med strøm.

- Start og stop motoren for at kontrollere sikkerhedsnøglen.
- Hvis sikkerhedsnøglen fungerer korrekt, kan motoren kun starte, når nøglen er i position 1. (Fig. 24)

Sådan kontrolleres motorbremsehåndtaget

Motorbremsehåndtaget standser motoren. Når motorbremsehåndtaget slippes, standser motoren.

- Start produktet. Se *Sådan startes produktet på side 83*.
- Slip motorbremsehåndtaget. (Fig. 25)
- Sørg for, at produktet standser. Hvis motoren ikke standser inden for 3 sekunder, skal et godkendt Husqvarna-serviceværksted justere motorbremsen.

Sådan kontrolleres startspærren

Efterse startspærren for at sikre, at den forhindrer drift af motoren.

1. Skub bøjlen til fremtrækket i retning mod styret. Startspærren standser bevægelsen.
2. Skub startspærren ud. (Fig. 26)
3. Slip startspærren, og sørg for, at den returnerer til udgangspositionen.

Batterisikkerhed



ADVARSEL: Læs alle sikkerhedsinstrukser og generelle instruktioner. Hvis du ignorerer sikkerhedsinstrukser og generelle instruktioner, kan det medføre elektrisk stød, brand og/eller alvorlig tilskadecomst. **Gem alle sikkerhedsoplysninger og generelle instruktioner til senere brug.**

- **Denne sikkerhedsvejledning gælder kun for 18 V genopladelige li-ion-batterier til POWER FOR ALL-systemet.**
- **Brug kun det genopladelige batteri i produkter fra POWER FOR ALL-systempartnere.** 18 V genopladelige batterier, der er mærket med POWER FOR ALL, er fuldt kompatible med følgende produkter:
 - Alle produkter i 18 V POWER FOR ALL-batterisystemet.
 - Alle 18 V-produkter fra POWER FOR ALL-systempartnere.
- **Overhold batterianbefalingerne i betjeningsvejledningen til dit produkt.** Kun på denne måde kan det genopladelige batteri og produktet betjenes uden fare, og de genopladelige batterier er beskyttet mod farlig overbelastning.
- **Oplad kun batterierne ved hjælp af opladere, der anbefales af producenten eller af POWER FOR ALL-systempartnere.** En lader, der passer til én batteritype, kan udgøre en risiko for brand, når den anvendes med et andet batteri.
- **Batteriet leveres delvist opladet.** For at sikre fuld batterikapacitet skal du oplade batteriet helt i opladeren, før du bruger elværktøjet første gang.
- **Opbevar batteripakker utilgængeligt for børn.**

- **Åbn ikke batteriet.** Der er risiko for kortslutning.
- **I tilfælde af skader og forkert brug af batteriet kan der forekomme dampe.** Batteriet kan antænde eller eksplodere. Sørg for, at området er godt ventileret, og søg lægehjælp, hvis du oplever bivirkninger. Dampene kan irritere åndedrætssystemet.
- **Hvis det anvendes forkert, eller hvis batteriet bliver beskadiget, kan der sive brandfarlig væske ud af batteriet.** Kontakt med denne væske skal undgås. Hvis der alligevel sker utilsigtet kontakt med væsken, skal den skylles af med vand. Hvis væsken kommer i kontakt med øjnene, skal du søge yderligere lægehjælp. Væske, der siver ud fra batteriet, kan medføre irritation eller forbrænding.
- **Hvis batteriet er beskadiget, kan væsken sive ud og dække nærliggende overflader. Kontroller de berørte dele.** Rengør disse dele, eller udskift dem om nødvendigt.
- **Batteripakken må ikke kortsluttes.** Når batteripakken ikke anvendes, skal du holde den væk fra andre metalgenstande, såsom papir, clips, mønter, nøgler, søm, skruer eller andre små metalgenstande, der kan kortslutte polerne. Kortslutning af batteripolerne kan forårsage forbrændinger eller brand.
- **Batteriet kan blive beskadiget af spidse genstande som f.eks. søm eller skruetrækkere eller af udefrakommende kraft.** Der kan opstå en intern kortslutning, som kan få batteriet til at brænde, ryge, eksplodere eller overophede.
- **Der må aldrig udføres service på beskadigede batteripakker.** Service på batteripakker bør kun udføres af producenten eller autoriserede serviceudbydere.
- **Beskyt batteriet mod varme, f.eks. mod konstant kraftigt sollys, ild, snavs, vand og fugt.** Der er risiko for eksplosion og kortslutning.
- **Brug kun batteriet i produktet, hvis omgivelsestemperaturen er mellem 0 °C – +40 °C.**
- **Opbevar kun batteriet ved en omgivende temperatur på mellem -20 °C – +50 °C.** Efterlad f.eks. ikke batteriet i din bil om sommeren. Ved temperaturer på < 0 °C kan nogle enheder opleve strømtab.
- **Oplad kun batteriet ved en omgivende temperatur på mellem 0 °C og +35 °C.** Oplad kun det genopladelige batteri med et USB-kabel ved en omgivende temperatur på mellem +10 °C og +35 °C. Opladning uden for dette temperaturområde kan øge risikoen for beskadigelse af batteriet og udgøre en brandfare.

ud kan evaluere alle funktioner og udføre dem uden begrænsninger, eller hvis du har modtaget tilsvarende instruktioner.

- **Denne oplader er ikke beregnet til brug af børn eller personer med fysiske, sanselige eller mentale begrænsninger eller manglende erfaring eller viden.** Denne oplader kan bruges af børn på 8 år eller derover og af personer, der har fysiske, sanselige eller mentale begrænsninger eller manglende erfaring eller viden, hvis en person, der er ansvarlig for vedkommendes sikkerhed, overvåger vedkommende eller har instrueret vedkommende i sikker betjening af opladeren, og vedkommende forstår de dermed forbundne farer. Ellers er der risiko for betjeningsfejl og tilskadecomst.
- **Overvåg børn under brug, rengøring og vedligeholdelse.** Dette sikrer, at børn ikke leger med opladeren.
- **Oplad kun 18 V POWER FOR ALL-systembatterier med en kapacitet på 1,5 Ah.** Batterispændingen skal svare til opladerens batteriladepænding. Oplad ikke ikke-genopladelige batterier. Ellers er der risiko for brand og eksplosion.
- **Brug kun opladeren i lukkede rum, og udsæt den ikke for våde forhold.** Vand, som trænger ind i et elværktøj, forøger risikoen for elektrisk stød.
- **Hold opladeren ren.** Snavs udgør en risiko for elektrisk stød.
- **Kontrollér altid opladeren, kablet og stikket før brug.** Undlad at bruge opladeren, hvis du opdager skader. Åbn ikke opladeren selv, og få den kun repareret af Husqvarna eller af et autoriseret eftersalgsservicecenter, der bruger originale reservedele. Beskadigede opladere, kabler og stik øger risikoen for elektrisk stød.
- **Brug ikke opladeren på en let antændelig overflade (f.eks. papir, tekstiler osv.) eller i et brandfarligt miljø.** Der er risiko for brand, fordi opladeren bliver varm under drift.
- **Tildæk ikke opladerens ventilationsåbninger.** I modsat fald kan opladeren blive overophedet og ikke længere fungere korrekt.
- **Genoplad kun med den oplader, som producenten foreskriver.** En oplader, der egner sig til en bestemt type batteripakke, kan medføre risiko for brand, hvis den benyttes sammen med en anden batteripakke.
- **I tilfælde af skader og forkert brug af batteriet kan der også forekomme dampe.** Sørg for, at området er godt ventileret, og søg lægehjælp, hvis du oplever bivirkninger. Dampene kan irritere åndedrætssystemet.
- **Hvis batteriet bruges forkert, kan der sive væske ud af det.** Kontakt med denne væske skal undgås. Hvis der alligevel sker utilsigtet kontakt med væsken, skal den skylles af med vand. Hvis væsken kommer i kontakt med øjnene, skal du søge yderligere lægehjælp. Væske, der siver ud fra batteriet, kan medføre irritation eller forbrænding.

Batteriopladersikkerhed



ADVARSEL: Læs alle sikkerhedsinstrukser og generelle instruktioner. Hvis du ignorerer sikkerhedsinstrukser og generelle instruktioner, kan det medføre elektrisk stød, brand og/eller alvorlig tilskadecomst. **Opbevar disse instruktioner på et sikkert sted.** Brug kun opladeren, hvis du fuldt

- **Produkter, der kun sælges i Storbritannien:** Dit produkt er udstyret med et BS 1363/A-godkendt elektrisk stik med intern sikring (ASTA-godkendt iht. BS 1362). Hvis stikket ikke passer til dine stikkontakter, skal det afbrydes, og et passende stik skal monteres på stedet af en autoriseret tekniker. Det nye stik skal have samme sikringsstørrelse som det originale stik. Det fjernede stik skal bortskaffes for at undgå risiko for stød og må aldrig indsættes i en stikkontakt et andet sted.

Sikkerhedsinstruktioner for vedligeholdelse



ADVARSEL: Læs følgende advarselsinstruktioner, inden du bruger produktet.

- For at undgå utilsigtet start i forbindelse med vedligeholdelse, skal du dreje sikkerhedsnøglen til 0 og fjerne batteriet. Vent i mindst 5 sekunder, før du påbegynder vedligeholdelse.
- Foretag kun den form for vedligeholdelsesarbejde, der er angivet i denne brugsanvisning. Mere omfattende arbejde og professionelle reparationer skal udføres af et godkendt serviceværksted.
- Kontakt dit nærmeste serviceværksted for at få flere oplysninger.
- Udfør vedligeholdelsesarbejde korrekt for at øge levetiden for produktet og mindske risikoen for ulykker.
- Udskift beskadigede, slidte eller defekte dele. Brug altid originale reservedele fra producenten. Andre reservedele kan beskadige produktet og øge risikoen for ulykker.
- For at forhindre skader må du ikke fjerne eller foretage ændringer af sikkerhedsanordninger.
- Ifør dig kraftige handsker, når du anvender skæreudstyret. Kniven er meget skarp, og du kan nemt komme til at skære dig.
- Hold klingerne skarpe og rene for at sikre den bedst mulige ydeevne.
- Lad jævnligt serviceværkstedet efterse produktet og foretage de nødvendige justeringer og reparationer.
- Følg vejledningen for, hvordan du udskifter tilbehør. Brug kun tilbehør fra producenten.
- Når de ikke er i drift, skal du holde produktet, batteriet og batteriopladeren adskilt et tørt, indendørs og aflåst sted. Sørg for, at børn og personer, som ikke er godkendt, ikke kan få adgang til produktet, batteriet eller batteriopladeren.

Montering

Indledning



ADVARSEL: Før du samler produktet, skal du læse sikkerhedskapitlet.



ADVARSEL: For at undgå utilsigtet start under monteringen, skal du dreje sikkerhedsnøglen til 0, fjerne batteriet og vente i mindst 5 sekunder.

Sådan justeres styrets højde

Produktet har frit justeringsområde for håndtagets højde. Håndtagshøjden kan indstilles til en passende højde mellem 2 indstillingspunkter.

1. Sådan sættes produktet i driftsposition. Se *Sådan sættes produktet i driftstilling på side 82*.
2. Drej låseknapperne på håndtagene mod uret. (Fig. 27)
3. Træk håndtagene til en passende position.
4. Placer de 2 håndtag, så de er i vater.



BEMÆRK: Hvis håndtagene ikke er i vater, vil produktet blive beskadiget.

5. Drej låseknapperne på håndtagene med uret.

6. Spænd låseknapperne helt.

Sådan monteres græsopsamleren

1. Løft det bageste dæksel.
2. Fjern BioClip®-proppen.
3. Fastgør græsopsamleren på chassissets øverste kant.
4. Placer græsopsamlers nederste del mod græsudkastkanalen. (Fig. 28)



BEMÆRK: Kontroller, at græsopsamleren er tilsluttet korrekt til produktets chassis.

Sådan installeres findelerproppen

1. Løft det bageste dæksel, og fjern græsopsamleren.
2. Skub findelerproppen ind i udkastkanalen, indtil du hører et klik. (Fig. 29)

Sådan installeres krogen på væggen

- Installer krogen indendørs.
- Hold krogen væk fra sollys og ved en omgivende temperatur på -10 °C til +70 °C.
- Installer krogen på en gips-, træ- eller betolvæg.



BEMÆRK: Sørg for, at væggen kan bære en last på mindst 30 kg.

- Installer krogen på væggen med de 3 skruer (A). Brug rawplugs (B), hvis det er nødvendigt. (Fig. 30)



BEMÆRK: Sørg for, at skrueerne passer til din vægtype.

- Tal med din Husqvarna-servicerepræsentant for at få oplysninger om tilgængeligt tilbehør til opbevaring af dit produkt.

Drift

Indledning



ADVARSEL: Før du bruger produktet, skal du læse og forstå kapitlet om sikkerhed.

Husqvarna Connect

Husqvarna Connect er en gratis app til din mobile enhed. Appen Husqvarna Connect giver udvidede funktioner til dit Husqvarna produkt:

- Yderligere produktoplysninger.
- Oplysninger om, og hjælp til, dele og service.

Sådan kommer du i gang med at bruge Husqvarna Connect

1. Download Husqvarna Connect appen på din mobile enhed.
2. Tilmeld dig i Husqvarna Connect appen.
3. Følg instruktionerne i Husqvarna Connect-appen for at tilslutte og registrere produktet.

Bemærk: Husqvarna Connect-appen er ikke tilgængelig for download på alle markeder. Spørg en serviceforhandler for at få yderligere oplysninger.

Sådan sættes produktet i driftsstilling

1. Drej reguleringshåndgrebene til den ulåste position. (Fig. 31)
2. Løft håndtaget op, indtil du hører et klik. (Fig. 32)



BEMÆRK: Sørg for, at der ikke er for stor spænding i kablerne. For høj en spænding kan beskadige kablet, hvis styret er foldet op i transportposition.



ADVARSEL: Sørg for, at håndtaget er foldet helt op og den låste position.

3. Juster styrets højde. Se *Sådan justeres styrets højde på side 81*.

Sådan indstilles klippehøjden

1. Flyt klippehøjdehåndtaget bagud for at øge klippehøjden.

2. Flyt klippehøjdehåndtaget fremad for at mindske klippehøjden. (Fig. 33)



BEMÆRK: Indstil ikke klippehøjden for lavt. Knivene kan ramme jorden, hvis græsplanens overflade ikke er jævn.

Batteri



ADVARSEL: Inden brug af produktet skal du læse og sætte dig ind i kapitlet om sikkerhed. Du skal også læse og sætte dig ind i brugervejledningen for batteriet og batteriopladeren.

Opbevar batteriet og batteriopladeren i de korrekte omgivende temperaturer.

| | Omgivestemperatur |
|------------------------------------|-------------------|
| Betjening af batteriet i produktet | 0 °C – +40 °C |
| Opladning af batteriet | 0 °C – +35 °C |

Sådan oplades batteriet

Oplad batteriet, inden første ibrugtagning.

Bemærk: Opladning er kun mulig, når batteriets temperatur er inden for det tilladte temperaturområde for opladning (0-45 °C).

1. Tilslut strømkablet til batteriopladeren til en jordet stikkontakt.



BEMÆRK: Sørg for, at stikkontakten har den korrekte spænding og frekvens.

2. Sæt batteriet i batteriopladeren. Batteriet er tilsluttet batteriopladeren, når den grønne lysdiode blinker. (Fig. 34)
3. Batteriet er fuldt opladet, når den grønne lysdiode på batteriopladeren er tændt. Oplad batteriet i maks. 24 timer.
4. Tag batteriopladeren ud af stikkontakten.



BEMÆRK: Træk ikke i strømkablet.

- Fjern batteriet fra batteriopladeren.

Lysdiode for batteristatus på batteriopladeren

Den røde lysdiode (A) og den grønne lysdiode (B) på batteriopladeren viser batteriets ladestand. Se *Fejlfinding på batteriopladeren på side 85*.

(Fig. 35)

| Lysdiode | Batteristatus |
|---------------------------------------|--|
| Den grønne lysdiode blinker hurtigt. | Batteriet lader op. |
| Den grønne lysdiode blinker langsomt. | Batteriet er 80% ladet op. |
| Den grønne lysdiode er tændt. | Batteriet er fuldt opladet. |
| Den røde lysdiode er tændt. | Se <i>Fejlfinding på batteriopladeren på side 85</i> . |
| Den røde lysdiode blinker hurtigt. | Se <i>Fejlfinding på batteriopladeren på side 85</i> . |

Lysdiode for batteristatus på produktet

Når batteriet er installeret i produktet, viser lysdioderne på produktet batteristatus.

(Fig. 36)

| Lysdiode | Batteristatus |
|------------------------------|---|
| Lysdiode 1, 2 og 3 er tændt. | Fuldt opladet. |
| Lysdiode 1 og 2 er tændt. | Tilstrækkeligt opladet |
| Lysdiode 1 er tændt. | Batteriniveauet er lavt. |
| Lysdiode 1 blinker. | Batteriet er afladet. Batteristatusindikatoren blinker. Oplad batteriet. Se <i>Sådan oplades batteriet på side 82</i> . |

Sådan startes produktet

- Åbn batterilåget.
- Isæt et opladet batteri i batteriholderen.
- Drej sikkerhedsnøglen til 1. (Fig. 37)
- Stil dig bag produktet.
- Løsn startspærren. (Fig. 26)

- Skub bøjlen til fremtrækket i retning mod håndtaget. (Fig. 38)

Høj belastningsfunktion

Når produktet klipper langt eller vådt græs, øger motoren automatisk o/min. Motoren skifter tilbage til standardtilstand, når høj belastning ikke er nødvendigt.

Motoren stopper

Under betjening kan kniven og motoren midlertidigt stoppe på grund af forhindringer som f.eks. græsblokering under klippeskjoldet. Se *Sådan rengøres produktet på side 84*.



ADVARSEL: Før en kontrol af klippeskjoldet skal du slippe motorbremsehåndtaget, dreje sikkerhedsnøglen til 0, fjerne batteriet og vente i mindst 5 sekunder. Der er risiko for personskade, hvis forhindringen fjernes, og produktet starter ved et uheld.

Sådan standses produktet



ADVARSEL: Drej sikkerhedsnøglen til 0, før du efterlader produktet uden opsyn.

- Slip motorbremsehåndtaget for at standse motoren. (Fig. 39)
- Åbn batterilåget, og drej sikkerhedsnøglen til 0. (Fig. 40)
- Fjern batteriet ved at trykke på udløserknappen og trække batteriet ud. (Fig. 41)
- Oplad batteriet, hvis det er svagt. For yderligere oplysninger, se *Sådan oplades batteriet på side 82*.

Sådan opnår du et godt resultat

- Sørg altid for, at klingen er skarp. En sløv klinge giver et uregelmæssigt resultat, og græssets snitflade bliver gul. En skarp klinge bruger desuden mindre energi end en sløv klinge.
- Klip aldrig mere end $\frac{1}{3}$ af græssets længde. Klip først med klippehøjden indstillet højt. Efterse resultatet, og sænk derefter klippehøjden til det ønskede niveau. Hvis græsset er meget højt, skal du køre langsomt og om nødvendigt klippe 2 gange.
- Klip i forskellige retninger hver gang for at undgå striber i græsplænen.
- Hold klippeafskærmningen ren. Ophobning af græs og snavs på indersiden af klippeafskærmningen kan forringe klipperesultatet. Se *Sådan rengøres produktet på side 84*.

Vedligeholdelse

Indledning



ADVARSEL: Inden der foretages vedligeholdelse, skal du læse og forstå kapitlet om sikkerhed.

Alt service- og reparationsarbejde på produktet kræver specialuddannelse. Vi garanterer faglig korrekt reparation og service. Hvis forhandleren ikke er et serviceværksted, kan vedkommende oplyse om nærmeste serviceværksted.

Se www.husqvarna.com for at få mere detaljerede oplysninger.

Vedligeholdelsesskema

Vedligeholdelsesintervallerne er fastlagt baseret på daglig brug af produktet. Intervallerne ændres, hvis produktet ikke bruges dagligt.

For vedligeholdelse identificeret med * henvises til vejledningen i *Sikkerhed på side 75*.

| | Hver brug | Månedligt | Hver sæson |
|---|-----------|-----------|------------|
| Foretag et generelt eftersyn. | X | | |
| Rengør produktet. | X | | |
| Kontrollér startspærren. * | X | | |
| Sørg for, at sikkerhedsanordningerne på produktet ikke er defekte. * | X | | |
| Efterse klippeudstyret. | X | | |
| Efterse klippebordet. * | X | | |
| Kontrollér motorbremsehåndtaget. * | X | | |
| Efterse batteriet for skader. | X | | |
| Kontrollér batteriopladeren. | X | | |
| Sørg for, at udløserknappen på batteriet fungerer korrekt, og at batteriet låses på plads i produktet. | X | | |
| Efterse batteriopladeren for skader, og sørg for, at den fungerer korrekt. | | X | |
| Efterse forbindelserne mellem batteriet og produktet. Efterse også forbindelsen mellem batteriet og batteriopladeren. | | | X |

Sådan udføres et generelt eftersyn

- Sørg for, at møtrikker og skruer på produktet er spændt.
- Sørg for, at ledningerne på produktet ikke er placeret på en måde, så de kan blive beskadiget.

Sådan rengøres produktet

- Rengør plasticdele med en ren og tør klud.
- Brug ikke vand til rengøring af produktet. Vand kan trænge ind i batteriet eller motoren og forårsage kortslutning eller beskadigelse af produktet.
- Brug ikke en højtryksrenser til at rengøre produktet.
- Sprøjt aldrig vand direkte på motoren.
- Brug en børste til at fjerne blade, græs og snavs.

Sådan rengøres batteriet og batteriopladeren



ADVARSEL: Batteriet eller batteriopladeren må aldrig rengøres med vand.



ADVARSEL: Brug ikke kemiske stoffer til at rengøre batteriet.

- Sørg for, at batteriet og opladeren er rene og tørre, før du sætter batteriet i batteriopladeren.
- Rengør batteriets poler med trykluft eller med en blød og tør klud.

- Rens overfladerne på batteriet og batteriopladeren med en blød og tør klud.

Sådan efterses skæreudstyret



ADVARSEL: For at undgå utilsigtet start, skal du dreje sikkerhedsnøglen til 0, fjerne batteriet og vente i mindst 5 sekunder.



ADVARSEL: Brug handsker, når du udfører vedligeholdelse på skæreudstyret. Klingen er meget skarp, og du kan nemt komme til at skære dig.

1. Efterse skæreudstyret for skader eller revner. Udskift altid skæreudstyret, hvis det er beskadiget.
2. Kig på klingen for at se, om den er beskadiget eller sløv.

Bemærk: Kniven skal afbalanceres, efter den er blevet slebet. Lad et servicecenter skærpe, udskift og afbalancere klingen. Hvis du rammer en forhindring, der får produktet til at standse, udskiftes den beskadigede klinge. Lad servicecenteret vurdere, om klingen kan files, eller om den skal udskiftes.

Sådan udskiftes bladet

Se *Tekniske data på side 89* for den korrekte type blad.



ADVARSEL: Lås kniven med en træklods for at forhindre skader på fingrene,

når du udskifter kniven. Kniven kan bevæge sig, når motoren er slukket, og fingrene kan komme i klemme mellem kniven og de stationære dele.

1. Lås kniven med en træklods. (Fig. 42)
2. Fjern klingebolten.
3. Fjern bladet.
4. Efterse knivophæng og knivbolt for at se, om der er skader.
5. Efterse motorakslen for at sikre, at den ikke er bøjet.
6. Når du sætter den nye kniv på, skal knivens spidser pege i retning af klippebordet. (Fig. 43)
7. Sørg for, at klingens flugt med motorakslens centrum.
8. Lås kniven med en træklods. Monter fjederskiven, og spænd boltene og skiven med et tilspændingsmoment på 23-28 Nm. (Fig. 44)
9. Træk kniven rundt pr. håndkraft, og kontrollér, at den drejer frit.



ADVARSEL: Brug sikkerhedshandsker. Kniven er meget skarp, og du kan nemt komme til at skære dig.

10. Start produktet for at afprøve kniven. Hvis kniven ikke er korrekt fastgjort, forekommer der vibrationer i produktet, eller klipperesultatet bliver utilfredsstillende.

Fejlfinding

Fejlfinding på batteriopladeren

| Lysdiode på batteriopladeren | Årsag | Løsning |
|---|---|---|
| Den grønne lysdiode er tændt, og den røde lysdiode blinker. | Batteriet er ikke installeret korrekt i batteriopladeren. | Tag batteriet ud af batteriopladeren, og sæt batteriet i batteriopladeren igen. |
| | Batteristikkene er snavsede. | Rengør batteriforbindelserne. |
| | Opladeren har identificeret en intern fejl. | Sørg for, at alle batterier er sat helt i. Tag stikket ud, og sæt det i igen. Hvis fejlen opstår igen, skal opladeren kontrolleres af et autoriseret eftersalgsservicecenter for Husqvarna-produkter. |
| | Batteriet er defekt. | Udskift batteriet. |
| Den røde lysdiode er tændt, og den grønne lysdiode blinker. | Batteriets temperatur er uden for opladningsområdet. | Vent, indtil batteritemperaturen igen er inden for det tilladte temperaturområde for opladning (0-45 °C). |

| Lysdiode på batteriopladeren | Årsag | Løsning |
|--|---|---|
| Den grønne lysdiode og den røde lysdiode er slukket. | Batteriopladeren er ikke korrekt tilsluttet til stikkontakten. | Slut batteriopladeren til en stikkontakt. |
| | Defekt stikkontakt. | Slut batteriopladeren til en strømkilde med den spænding og frekvens, der fremgår af typeskiltet. |
| | Batteriopladerens kabel er defekt. | Kontakt et godkendt serviceværksted. |
| | Batteriopladeren er defekt. | |
| Andre fejl. | Hvis der opstår andre fejl, skal du sørge for, at produktet er slukket, fjerne batteriet og kontakte et godkendt serviceværksted. | |

Fejlfinding på plæneklipperen

Advarselsindikatoren (fejl-LED) findes bag på produktet bag batterilåget.

| Problem | Fejl-LED (antal blink) | Årsag | Løsning |
|--|------------------------|---|--|
| Fejl-LED blinker. Produktet fungerer ikke korrekt. | 5 | Klingen er blokeret. | Drej sikkerhedsnøglen til 0 for at forhindre utilsigtet start. Tag batteriet ud, og vent mindst 5 sekunder. Fjern eventuelle forhindringer, og sørg for, at klingen kan rotere frit. Hvis problemet fortsætter, skal du kontakte et autoriseret serviceværksted. |
| | | Motoromdrejningstallet falder for meget, og motoren standser. | Øg klippehøjden. Se <i>Sådan indstilles klippehøjden på side 82.</i> |
| | 10 | Kontrolenheden til motoren er for varm. | Stand motoren, og vent, indtil den er blevet kold. |

| Problem | Fejl-LED (antal blink) | Årsag | Løsning |
|---------------------------------------|--|--|---|
| Fejl-LED blinker. Produktet standser. | 22 | Batteriets temperatur er for høj, fordi temperaturen i arbejdsmiljøet er for høj. | Tag batteriet ud af maskinen, og vent, indtil det er kølet af, før maskinen startes igen. Sørg for, at den omgivende temperatur er korrekt. Brug batteriet ved temperaturer mellem 0 °C og +40 °C. Hvis problemet fortsætter, skal du kontakte et godkendt serviceværksted. |
| | | Batteriets temperatur er for høj, fordi motoren er overbelastet | Øg klippehøjden. Se <i>Sådan indstilles klippehøjden på side 82</i> . Hvis problemet fortsætter, skal du kontakte et autoriseret serviceværksted. |
| | 0 | Fejl ved batteristik. | Efterse batteristikket. |
| | 3 | Der er overbelastning i motoren. | Øg klippehøjden. Se <i>Sådan indstilles klippehøjden på side 82</i> . |
| | 9 | Batterifejl eller intet signal fra batteri. | Isæt batteriet korrekt i produktet, og efterse batteristikket. Hvis fejl-LED'en på batteriet blinker, se <i>Fejlfinding på batteriopladeren på side 85</i> . Hvis problemet fortsætter, skal du kontakte et autoriseret serviceværksted. |
| | 8 | Batteriet er svagt. | Oplad batteriet. Se <i>Sådan oplades batteriet på side 82</i> . |
| | 12 | Forkert startprocedure. Motorbremsehåndtaget er blevet aktiveret, før motoren starter. | Slip motorbremsehåndtaget, og vent ca. 5 sekunder. Tryk motorbremsehåndtaget ned igen for at starte produktet. |
| Andre fejl. | Hvis der opstår andre fejl, skal du dreje tændingsnøglen til 0, afmontere batteriet og kontakte et godkendt serviceværksted. | | |

Transport, opbevaring og bortskaffelse

Indledning



ADVARSEL: For at undgå utilsigtet start under transport og opbevaring, skal du dreje sikkerhedsnøglen til 0, fjerne batteriet og vente i mindst 5 sekunder.

Sådan sættes produktet i transportposition

- Afmonter græsopsamleren, og sørg for, at græsopsamleren er tom.
- Drej låsekapperne på håndtaget mod uret til den ulåste position. (Fig. 45)
- Skub håndtaget i retning mod det bageste dæksel.
- Drej låsekapperne på håndtaget med uret til den låste position.

- Drej reguleringshåndgrebene til den ulåste position. (Fig. 46)
- Fold håndtaget nedad, indtil du hører et klik. (Fig. 47)

Se *Sådan sættes produktet i opbevaringsposition på side 88* for opbevaring af produktet.

Transport

- Lovkravene om farligt gods gælder for de indeholdte li-ion-batterier.
- Ved kommerciel transport skal særlige krav vedrørende emballering og mærkning overholdes.
- Sørg for at overholde bestemmelserne for farligt materiale, når du klargør produktet til transport. Lokale bestemmelser kan være gældende.
- Fjern altid batteriet ved transport.

- Sæt tape på batteristikkene, og sørg for, at batteriet ikke kan rykke sig under transporten.
- Fastspænd produktet under transport.

Opbevaring

- Lad produktet køle af før opbevaring.
- Fjern altid batteriet ved opbevaring.
- For at forhindre ulykker, skal du sørge for, at batteriet ikke er tilsluttet produktet under opbevaring.
- Opbevar batteriopladeren et lukket og tørt sted.
- Opbevar batteriet og batteriopladeren et tørt sted, hvor der ikke er fugt eller frost.
- Afbryd forbindelsen mellem batteriet og batteriopladeren under opbevaring.
- Batteriet må ikke opbevares, hvor der kan forekomme statisk elektricitet. Opbevar ikke batteriet i en metalkasse.
- Opbevar produktet på et sted, hvor omgivelsestemperaturen er mellem -20 °C og +50 °C.
- Opbevar batteriet ved omgivelsestemperaturer mellem -20 °C og +50 °C og væk fra sollys.
- Opbevar batteriopladeren på et tørt og aflukket sted, hvor den ikke udsættes for frost.
- Sørg for, at batteriet er rent, og at det er opladet, før du sætter det til opbevaring i længere tid.
- Opbevar produktet, batteriet og batteriopladeren et låst sted, der er utilgængeligt for børn og ikke-godkendte personer.
- Rengør produktet, og sørg for, at græsopsamleren er tom.
- Foretag den form for vedligeholdelse, der er beskrevet i denne brugervejledning. Se *Vedligeholdelse på side 84*.
- Udfør fuld service, før du sætter produktet til opbevaring i længere tid.

Sådan sættes produktet i opbevaringsposition



ADVARSEL: For at undgå utilsigtet start under transport og opbevaring, skal du dreje sikkerhedsnøglen til 0, fjerne batteriet og vente i mindst 5 sekunder.

1. Fjern batteriet.
2. Sæt produktet i transportposition. Se *Sådan sættes produktet i transportposition på side 87*.
3. Flyt produktet til opbevaringspositionen.

Sådan opbevares produktet vandret på jorden

1. Sæt produktet i opbevaringspositionen. Se *Sådan sættes produktet i opbevaringsposition på side 88*.
2. Monter græsopsamleren. Se *Sådan monteres græsopsamleren på side 88*.
3. Opbevar produktet vandret på jorden. (Fig. 48)

Sådan opbevares produktet lodret på jorden

1. Sæt produktet i opbevaringspositionen. Se *Sådan sættes produktet i opbevaringsposition på side 88*.
2. Løft produktet ved løftepunkterne på håndtaget, og anbring produktet lodret på en plan overflade. (Fig. 49)



ADVARSEL: Løft ikke produktet i klippeskjoldet. Kniven er meget skarp, og du kan nemt komme til at skære dig.

3. Monter græsopsamleren. Se *Sådan monteres græsopsamleren på side 88*.
4. Sørg for, at produktet er stabilt, og at de 2 støtteben rører gulvet.
5. Opbevar produktet lodret på jorden. (Fig. 50)

Sådan opbevares produktet lodret på den medfølgende krog



ADVARSEL: Hæng kun produktet op på væggen med den medfølgende krog.

1. Monter den medfølgende krog. Se *Sådan installeres krogen på væggen på side 81*.
2. Sæt produktet i opbevaringspositionen. Se *Sådan sættes produktet i opbevaringsposition på side 88*.
3. Løft produktet ved løftepunkterne på håndtaget. (Fig. 49)



ADVARSEL: Løft ikke produktet i klippeskjoldet. Kniven er meget skarp, og du kan nemt komme til at skære dig.

4. Hæng produktet lodret op på den medfølgende krog. Se *Sådan installeres krogen på væggen på side 81*. (Fig. 51)
5. Sørg for, at produktet hænger korrekt og er stabilt på krogens 2 stænger.
6. Monter græsopsamleren. Se *Sådan monteres græsopsamleren på side 88*.

Sådan monteres græsopsamleren

1. Monter græsopsamleren i rillen forrest på produktet. (Fig. 52)
2. Skub den nederste del af græsopsamleren mod løftepunktet, indtil du hører et klik. (Fig. 53)

Bortskaffelse

Symbolerne på produktet eller emballagen angiver, at produktet ikke må behandles som almindeligt husholdningsaffald. Det skal afleveres til en passende genbrugsstation med henblik på genvinding af elektrisk og elektronisk udstyr.

Hvis du sørger for, at dette produkt håndteres korrekt, kan du være med til at modvirke potentielle negative

indvirkninger på mennesker og miljø, som ellers kan være et resultat af fejlagtig affaldshåndtering i forbindelse med dette produkt. Nærmere oplysninger om genanvendelse af dette produkt fås hos kommunen, det lokale renovationsselskab eller forretningen, hvor produktet er købt.

(Fig. 54)

Kun for EU-lande: I henhold til direktiv 2006/66/EF skal defekte eller brugte batteripakker/batterier indsamles

separat og bortskaffes på en miljømæssigt korrekt måde.

Kun for Storbritannien: I henhold til regulativ nr. 2009 om brugte batterier og akkumulatorer (SI 2009/890) (med ændringer) skal batteripakker/batterier, der ikke længere er brugbare, indsamles separat og bortskaffes på en miljøvenlig måde.

Tekniske data

Tekniske data

| Aspire LC34-P4A | |
|--|----------------------|
| Klippemotor | |
| Motorstype | BLDC (børsteløs) 18V |
| Motoromdrejningstal – nominelt, o/min. | 3000 |
| Motoromdrejningstal – høj belastning, o/min. | 3500 |
| Motoreffekt - maks. kW | 0,7 |
| Motoreffekt – nominel, kW | 0,5 |
| Køremotor | |
| Motoreffekt – nominel, kW | N/A |
| Selvkørende hastighed, km/t | N/A |
| Justering af hastighedsniveauer | N/A |
| Vægt | |
| Vægt uden pose (ekskl. batteri), kg | 11,5 |
| Vægt med pose (inkl. P4A 18-B72), kg | 13,5 |
| Batteri | |
| Batteritype | Lithiumion |
| Batteriets driftstid | |
| Batteriets driftstid, min., ¹³ | 60 |
| Støjemissioner ¹⁴ | |
| Lydeffektniveau, målt dB(A) | 86 |
| Lydeffektniveau, garanteret L _{WA} dB (A) | 87 |
| Lydniveauer ¹⁵ | |
| Lydtryksniveau ved brugerens øre, dB(A) | 74 |

¹³ (friløb) med standardtilstand aktiveret, med et Husqvarna 4,0 Ah batteri (P4A 18-B72).

¹⁴ Støjemissioner til omgivelserne målt som lydeffekt (L_{WA}) i henhold til EF-direktiv 2000/14/EF.

¹⁵ Rapporterede data for lydtryksniveau har en usikkerhedsfaktor (K) på 1,5 dB(A).

| | |
|---|------------------------|
| | Aspire LC34-P4A |
| Vibrationsniveauer ¹⁶ | |
| Styr, m/s ² | 0,5 |
| Skæredstyr | |
| Klippehøjde, mm | 30-65 |
| Klippebredde, cm | 34 |
| Klingestandard | Combi 5375561-10 |
| Knivtilbehør | N/A |
| Græsopsamlerens kapacitet, l | 30 |

Godkendte batterier

Dette produkt kan betjenes med alle **POWER FOR ALL**-batterier. For at opnå den bedste ydeevne anbefales det at bruge batterier med mindst 4.0 Ah.

| Batteri | P4A 18-B45 | P4A 18-B72 |
|-----------------------|-------------------|-------------------|
| Type | Lithiumion | Lithiumion |
| Batterikapacitet, Ah | 2,5 | 4,0 |
| Nominel spænding, V | 18 | 18 |
| Vægt, kg | 0,35 | 0,65 |
| Antal celler (li-ion) | 5 | 10 |

Godkendte batteriopladere

| Batterioplader | P4A 18-C70 |
|---------------------|-------------------|
| Indgangsspænding, V | 220-240 |
| Frekvens, Hz | 50-60 |
| Effekt, watt | 70 |

¹⁶ Rapporterede data for vibrationsniveau har en usikkerhedsfaktor (K) på 1,5 m/s². Den angivne samlede vibrationsværdi er målt i henhold til standard EN 62841-4-3, bilag I, og kan anvendes til at sammenligne en maskine med en anden og i en indledende vurdering af udsættelse for vibrationer.

Overensstemmelseserklæring

EU-overensstemmelseserklæring

Vi, **Husqvarna AB**, SE-561 82 Huskvarna, Sverige,
tlf.: +46-36-146500 erklærer under eneansvar, at det
pågældende produkt:

| | |
|-----------------------|------------------------------------|
| Beskrivelse | Plæneklipper |
| Varemærke | Husqvarna |
| Type / model | Aspire LC34-P4A |
| Identifikation | Serienumrene fra 2022 og fremefter |

overholder følgende EU-direktiver og bestemmelser:

| Regulativ | Beskrivelse |
|------------------|--|
| 2006/42/EF | "vedrørende maskiner" |
| 2014/30/EU | "vedrørende elektromagnetisk kompatibilitet" |
| 2000/14/EF | "vedrørende støjemissioner til omgivelserne" |
| 2011/65/EU | "om begrænsning af anvendelsen af visse farlige stoffer i elektrisk og elektronisk udstyr" |

og at følgende standarder og/eller tekniske
specifikationer anvendes: EN 62841-1:2015/AC:2015,
EN IEC 62841-4-3:2021/A11:2021, EN ISO 12100:2010,
EN 55014-1:2021, EN 55014-2:2021, EN IEC
61000-6-2:2019, EN IEC 61000-6-3:2021, EN IEC
63000:2018

Bemyndiget organ: 0404, RISE SMP Svensk
Maskinprovning AB, Box 4053, SE-904 03
Umeå, Sweden har bekræftet, at bestemmelserne
i Rådets direktiv 2000/14/EF, procedure for
overensstemmelsesvurdering: Bilag VI.

Vedr. oplysninger om støjemission, se *Tekniske data på
side 89*.

Huskvarna, 2022-10-24



Claes Losdal, udviklingschef/haveprodukter, Husqvarna
AB

Ansvarlig for teknisk dokumentation



Copyright © 2012–2020 STMicroelectronics

Garantien dækker ikke fejl, der skyldes normal slitage, uagtsomhed, defekt brug, uautoriserede reparationer eller at sugeudstyret er forbundet til forkert spænding.

Alle rettigheder forbeholdes.

Videredistribution og brug i kilde- og binære former, med eller uden ændringer, er tilladt, forudsat at følgende betingelser er opfyldt:

- Videredistribution af kildekode skal indeholde ovenstående meddelelse om ophavsret, denne liste over betingelser og følgende ansvarsfraskrivelse.
- Videredistribution i binær form skal gengive ovenstående meddelelse om ophavsret, denne liste over betingelser og følgende ansvarsfraskrivelse i dokumentationen og/eller andre materialer, der leveres sammen med distributionen.
- Hverken navnet STMicroelectronics eller navnene på deres bidragydere må benyttes til at understøtte eller promovere produkter afledt af denne software uden specifik forudgående skriftlig tilladelse.

DENNE SOFTWARE LEVERES AF INDEHAVERNE AF OPHAVSRETTE OG BIDRAGSYDERNE "SOM DEN ER OG FOREFINDES". OG ALLE UDTRYKKELIGE ELLER UNDERFORSTÅEDE GARANTIER, HERUNDER, MEN IKKE BEGRÆNSET TIL UNDERFORSTÅEDE GARANTIER FOR SALGBARHED OG EGNETHED TIL ET BESTEMT FORMÅL FRASKRIVES. UNDER INGEN OMSTÆNDIGHEDER ER INDEHAVEREN AF OPHAVSRETTE ELLER BIDRAGSYDERNE ANSVARLIGE FOR NOGEN DIREKTE, INDIREKTE, TILFÆLDIGE, SÆRLIGE, EKSEMPLARISKE ELLER FØLGESKADER (HERUNDER, MEN IKKE BEGRÆNSET TIL ANSKAFFELSE AF ERSTATNINGSVARER ELLER -TJENESTER, TAB AF BRUG, DATA ELLER FORTJENESTE ELLER DRIFTSAFBRYDELSE) UANSET ÅRSAG OG ENHVER FORM FOR ERSTATNINGANSVAR, UANSET OM DET ER I KONTRAKT, OBJEKTIVT ANSVAR ELLER SKADEVOLDENDE HANDLING (HERUNDER FØRSØMMELIGHED ELLER ANDET), DER OPSTÅR PÅ NOGEN MÅDE FRA BRUGEN AF DENNE SOFTWARE, SELV OM DET ER BLEVET OPLYST OM MULIGHEDEN FOR EN SÅDAN SKADE.

Apache 2.0 licens

Copyright © 2009-2019 Arm Limited. Alle rettigheder forbeholdes.

Version 2.0, januar 2004 <http://www.apache.org/licenses/>

VILKÅR OG BETINGELSER FOR BRUG, REPRODUKTION OG DISTRIBUTION

1. Definitioner.

"**Licens**" betyder vilkår og betingelser for brug, reproduktion og distribution som defineret i afsnit 1 til 9 i dette dokument. "**Licensgiver**" betyder ejeren af ophavsretten eller enheden, der er autoriseret af ejeren af ophavsretten, som leverer licensen. "**Juridisk enhed**" betyder samarbejdet mellem den handlende enhed og alle andre enheder, der kontrollerer, kontrolleres af eller er under fælles kontrol af den pågældende enhed. I forbindelse med denne definition betyder "**kontrol**" (i) evnen, direkte eller indirekte, til at forårsage styringen eller ledelsen af en sådan enhed, uanset om det er i henhold til kontrakt eller andet, eller (ii) ejerskab af halvtreds procent (50 %) eller mere af de udestående aktier, eller (iii) egentligt ejerskab af en sådan enhed. "**Du**" (eller "**din**") betyder en individuel eller juridisk enhed, der udøver tilladelser, som leveres af denne licens. "**Kilde**"-form betyder den foretrukne form til at foretage ændringer, herunder, men ikke begrænset til, softwarekildekode, dokumentationskilde og konfigurationsfiler. "**Objekt**"-form betyder enhver form, der er et resultat af mekanisk transformation eller oversættelse af en kildeformular, herunder, men ikke begrænset til kompileret objektkode, genereret dokumentation og konverteringer til andre medietyper. "**Arbejde**" betyder arbejdet fra forfatterskabet, uanset om det er i kilde- eller objekt-form, gjort tilgængeligt under licensen, som angivet af en meddelelse om ophavsret, der er inkluderet i eller vedhæftet arbejdet (der findes et eksempel i bilaget nedenfor). "**Afledte arbejder**" betyder alt arbejde, uanset om det er i kilde- eller objektform, som er baseret på (eller afledt af) arbejdet, og for hvilket de redaktionelle revisioner, annotationer, uddybninger eller andre modifikationer repræsenterer som helhed et originalt arbejde. I forbindelse med denne licens omfatter afledte arbejder ikke arbejder, der fortsat kan adskilles fra, eller bløt sammenkædes (eller bindes af navn) med grænsefladerne i arbejdet og afledte arbejder deraf. "**Bidrag**" betyder ethvert arbejde fra forfatterskabet, herunder den oprindelige version af arbejdet og eventuelle ændringer eller tilføjelser til dette arbejde eller afledte arbejder deraf, som bevidst indsendes til licensgiver med henblik på inkludering i arbejdet af ejeren af ophavsretten eller af en individuel eller juridisk enhed, der er autoriseret til at indsende på vegne af ejeren af ophavsretten. I forbindelse med denne definition betyder "**indsendt**" enhver form for elektronisk, verbal eller skriftlig kommunikation, der sendes til licensgiveren eller dennes repræsentanter, herunder, men ikke begrænset til kommunikation via elektroniske mail-lister, kildekodestyringssystemer og problemsporingssystemer, der administreres af eller på vegne af licensgiver med det formål at diskutere og forbedre arbejdet, men ikke kommunikation der tydeligt er markeret eller på anden måde angivet skriftligt af ejeren af ophavsretten som "**ikke et bidrag**". "**Bidragyder**" betyder licensgiver og enhver individuel eller juridisk enhed, på hvis vegne et bidrag er modtaget af licensgiver og efterfølgende indarbejdet i arbejdet.

2. Tildeling af Copyright-licens.

I henhold til vilkårene og betingelserne i denne licens giver hver bidragyder dig hermed en evig, verdensomspændende, ikke-eksklusiv, vederlagsfri, royaltifri, uigenkaldelig copyright-licens til at reproducere, forberede afledte arbejder af, offentligt vise, offentligt udføre, videreicensere og distribuere arbejdet og sådanne afledte arbejder i kilde- eller objektform.

3. Tildeling af patentlicens.

I henhold til vilkårene og betingelserne i denne licens giver hver bidragyder dig hermed en evig, verdensomspændende, ikke-eksklusiv, vederlagsfri, royaltifri, uigenkaldelig (undtagen som anført i dette afsnit) patentlicens til at fremstille, få udført, anvende, tilbyde at sælge, sælge, importere og på anden måde overføre arbejdet, hvor en sådan licens kun gælder for de patentkrav, som en sådan bidragyder har licens til, og som nødvendigvis krænes af deres bidrag alene eller ved at kombinere deres bidrag med det arbejde, som sådanne bidrag blev indsendt til. Hvis du indleder en patentretssag mod en enhed (herunder en modfordring eller et modkrav i en retssag) med påstand om, at arbejdet eller et bidrag, der er inkorporeret i arbejdet, udgør en direkte eller medvirkende patentkrænkelse, omfatter alle patentlicenser, der er givet til dig i henhold til denne licens for det pågældende arbejde fra den dato, hvor en sådan retssag er indbragt.

4. Videre distribution.

Du må reproducere og distribuere kopier af arbejdet eller afledte værker deraf i ethvert medie med eller uden ændringer og i kilde- eller objektform, forudsat at du opfylder følgende betingelser:

- Du skal give alle andre modtagere af arbejdet eller afledte arbejder en kopi af denne licens, og
- Du skal sørge for, at alle ændrede filer indeholder fremtrædende meddelelser om, at du har ændret filerne. Og du skal bevare i kildeform af ethvert afledt værk, som du distribuerer, alle ophavsrets-, patent-, varemærke- og tilskrivningsmeddelelser fra kildeformen af arbejdet, undtagen de meddelelser der ikke vedrører nogen del af de afledte arbejder.
- Hvis arbejdet omfatter en **"MEDDELELSETEKSTFIL"** som en del af dets distribution, så skal alle afledte værker, som du distribuerer inkludere en læsbar kopi af de tilføjede meddelelser indeholdt i en sådan MEDDELELSESFIL, eksklusiv de meddelelser der ikke vedrører nogen del af de afledte arbejder, på mindst ét af følgende steder: Inden for en MEDDELELSETEKSTFIL, der distribueres som en del af de afledte arbejder, inden for kildeform eller dokumentation, hvis den leveres sammen med de afledte arbejder eller inden for en visning genereret af de afledte arbejder, hvis og hvor sådanne meddelelser fra tredjeparter normalt vises. Indholdet af MEDDELELSESFILen er kun til orientering og

ændrer ikke licensen. Du kan tilføje dine egne tilskrivningsmeddelelser i afledte arbejder, som du distribuerer ved siden af eller som et tillæg til MEDDELELSETEKSTEN fra arbejdet, forudsat at sådanne yderligere tilføjede meddelelser ikke kan fortolkes som modificering af licensen. Du kan tilføje din egen erklæring om ophavsret til dine ændringer, og du kan tilbyde yderligere eller andre licensvilkår og -betingelser for brug, reproduktion eller distribution af dine modifikationer eller for ethvert sådant afledt værk som helhed, forudsat at din brug, gengivelse og distribution af arbejdet overholder de øvrige betingelserne i denne licens.

5. Indsendelse af bidrag.

Medmindre du udtrykkeligt angiver andet, skal ethvert bidrag, som du tilsigtet indsender til licensgiver med henblik på inklusion i arbejdet, være underlagt vilkårene og betingelserne i denne licens uden yderligere vilkår eller betingelser. Uanset ovenstående vil intet heri erstatte eller ændre vilkårene i en separat licensaftale, som du måtte have indgået med licensgiver vedrørende sådanne bidrag.

6. Varemærker.

Denne licens giver ikke tilladelse til at bruge licensgiverens handelsnavne, varemærker, servicemærker eller produktnavne, medmindre det er nødvendigt for rimelig og sædvanlig brug til at beskrive arbejdets oprindelse og reproducere indholdet af MEDDELELSESFILen.

7. Garantifraskrivelse.

Medmindre det kræves af gældende lovgivning eller er aftalt skriftligt, leverer licensgiveren arbejdet (og hver bidragyder leverer sine bidrag) på en "SOM DET ER OG FOREFINDES"-BASIS UDEN GARANTIER ELLER BETINGELSER AF NOGEN ART hverken udtrykkelige eller underforståede herunder og uden begrænsninger garantier eller betingelser for ADKOMST, IKKE-KRÆNKELSE, SALGBARHED ELLER EGNETHED TIL ET BESTEMT FORMÅL. Du alene er ansvarlig for at afgøre, om det er hensigtsmæssigt at bruge eller omfordele arbejdet og påtage dig eventuelle risici i forbindelse med din udøvelse af tilladelser i henhold til denne licens. 8. Ansvarsbegrænsning. Under ingen omstændigheder og under ingen juridisk form uanset om det er uden for kontrakt (herunder forsømmelighed) kontrakt eller andet, medmindre det kræves af gældende lov (f.eks. forsætlige og groft uagtsomme handlinger) eller aftalt skriftligt, er enhver bidragyder ansvarlig over for dig for skader, herunder direkte, indirekte, særlige, tilfældige eller følgeskader af nogen art, der opstår som følge af denne licens eller som følge af brug eller manglende evne til at bruge arbejdet (herunder, men ikke begrænset til skader som følge af tab af goodwill, driftsstop, computerfejl eller fejlfunktioner eller alle andre kommercielle skader eller tab), selv hvis en sådan bidragyder er blevet informeret om muligheden for sådanne skader.

9. Accept af garanti eller yderligere ansvar.

I forbindelse med omfordeling af arbejdet eller afledte arbejder deraf kan du vælge at tilbyde og opkræve et gebyr for, accept af support, garanti, erstatning eller andre ansvarsforpligtelser og/eller rettigheder i overensstemmelse med denne licens. Men når du accepterer sådanne forpligtelser, må du kun handle på

dine egne vegne og dit eget ansvar, ikke på vegne af nogen anden bidrager, og kun hvis du accepterer at skadesløsholde, forsvare og holde hver bidrager skadesløs for ethvert ansvar, som pådrages af, eller krav der fremsættes mod en sådan bidrager på grund af din accept af en sådan garanti eller yderligere ansvar.
OPHØR AF VILKÅR OG BETINGELSER

Registrerede varemærker

QR-kode er et registreret varemærke tilhørende DENSO WAVE INCORPORATED i Japan.

Inhalt

| | | | |
|---------------------|-----|---|-----|
| Einleitung..... | 95 | Transport, Lagerung und Entsorgung..... | 110 |
| Sicherheit..... | 96 | Technische Angaben..... | 111 |
| Montage..... | 103 | Konformitätserklärung..... | 114 |
| Betrieb..... | 104 | Lizenzen..... | 115 |
| Wartung..... | 106 | Eingetragene Marken..... | 117 |
| Fehlerbehebung..... | 108 | | |

Einleitung

Gerätebeschreibung

Das Gerät ist ein handgeführter Rasenmäher. Das Gras wird in einem Grasfänger gesammelt. Entfernen Sie den Grasfänger, um an den Heckauswurf des Grases zu gelangen. Befestigen Sie einen Mulcheinsatz, um das Gras in Dünger zu schneiden.

Verwendungszweck

Verwenden Sie das Gerät zum Schneiden von Gras.
Verwenden Sie das Gerät nicht für andere Aufgaben.

Kurzanleitung

Scannen Sie den QR-Code, um Hinweise zur Verwendung des Geräts zu erhalten.



Geräteübersicht

(Abb. 1)

1. Motorbremsgriff
2. Startsperr
3. Griff/Lenker
4. Verriegelungsknopf des Lenkers
5. Griffknöpfe
6. Grasfänger
7. Mulcheinsatz
8. Heckklappe
9. LED am Gerät
10. Warnanzeige (Fehler-LED)
11. Sicherheitsschlüssel
12. Akkufach
13. Akkudeckel
14. Symbole
15. Schnitthöhenhebel
16. Akku (Zubehör)
17. Akkuladegerät (Zubehör)
18. Rote LED
19. Grüne LED
20. Aufnahmepunkte
21. Haken
22. Bedienungsanleitung

Symbole auf dem Gerät

(Abb. 2) WARNUNG

(Abb. 3) Lesen Sie die Anweisungen.

(Abb. 4) WARNUNG: Achten Sie auf hochgeschleuderte Gegenstände.

(Abb. 5) Zuschauer sollten einen Sicherheitsabstand einhalten.

(Abb. 6) WARNUNG: Halten Sie Hände und Füße von den Klingen fern.

(Abb. 7) WARNUNG: Trennen Sie vor der Wartung den Akku.

(Abb. 8) Das Gerät und die Verpackung des Geräts dürfen nicht über den Hausmüll entsorgt werden. Recyceln Sie es an einer Recyclingstation für elektrische und elektronische Geräte.

(Abb. 9) Etikett mit Geräuschemissionen gemäß EU- und UK-Richtlinien und Verordnungen sowie der australischen „Protection of the Environment Operations

(Noise Control) Regulation 2017“ (Umweltschutz-/Lärmschutzbestimmung) von New South Wales. Der garantierte Schalleistungspegel des Geräts ist unter *Technische Angaben auf Seite 111* und auf dem Etikett angegeben.

(Abb. 20)

Verwenden Sie den Akku nur in Produkten von POWER FOR ALL-Systempartnern.

(Abb. 10) Dieses Anbaugerät stimmt mit den geltenden CE-Richtlinien überein.

(Abb. 21)

Schützen Sie den Akku vor Hitze, z. B. vor dauerhafter Sonneneinwirkung, Feuer, Schmutz, Wasser und Feuchtigkeit. Es besteht Explosions- und Kurzschlussgefahr.

(Abb. 22)

(Abb. 11) Dieses Gerät entspricht den geltenden UK-Richtlinien.

(Abb. 12) Das Gerät ist tropfgeschützt.

(Abb. 16)

Das Akkuladegerät darf nur in geschlossenen Räumen benutzt und aufbewahrt werden.

(Abb. 13) Lassen Sie den Motorbremsgriff los, um den Motor zu stoppen.

(Abb. 17)

Doppelt isoliert.

(Abb. 14) Drücken Sie den Motorbremsgriff, um den Antrieb der Klingen zu starten.

Etikett auf dem Gerät

(Abb. 15) Scanbarer Code.

(Abb. 23)

GEFAHR: Halten Sie mit Händen und Füßen sicheren Abstand.

(Abb. 18) Zum Verriegeln oder Entriegeln drehen.

Produkthaftung

Im Sinne der Produkthaftungsgesetze übernehmen wir keine Haftung für Schäden, die unser Gerät verursacht, wenn...

- das Gerät nicht ordnungsgemäß repariert wird.
- das Gerät mit Teilen repariert wird, die nicht vom Hersteller stammen oder nicht vom Hersteller zugelassen sind.
- ein Zubehörteil mit dem Gerät verwendet wird, das nicht vom Hersteller stammt oder nicht vom Hersteller zugelassen ist.
- das Gerät nicht bei einem zugelassenen Service Center oder von einem zugelassenen Fachmann repariert wird.

Hinweis: Sonstige Symbole/Aufkleber auf dem Gerät beziehen sich auf Zertifizierungsanforderungen, die in einigen Märkten gelten.

Symbole auf dem Akku und/oder auf dem Ladegerät

(Abb. 19)

Recyceln Sie dieses Gerät an einer Recyclingstation für elektrische und elektronische Geräte. (Gilt nur für Europa)

Sicherheit

Sicherheitsdefinitionen

Warnungen, Vorsichtsmaßnahmen und Hinweise werden verwendet, um auf besonders wichtige Teile der Bedienungsanleitung hinzuweisen.



WARNUNG: Wird verwendet, wenn bei Nichtbeachtung der Anweisungen in diesem Handbuch die Gefahr von Verletzung oder Tod des Bedieners oder anderer Personen besteht.



ACHTUNG: Wird verwendet, wenn bei Nichtbeachtung der Anweisungen in diesem Handbuch die Gefahr von Schäden am Gerät, an anderen Materialien oder in der Umgebung besteht.

Hinweis: Für weitere Informationen, die in bestimmten Situationen nötig sind.

Allgemeine Sicherheitshinweise zum Gerät



WARNUNG: Beachten Sie alle für das Gerät vorgesehenen Sicherheitshinweise, Anleitungen, Abbildungen und technischen Daten. Wenn Sie die unten stehenden Anweisungen nicht befolgen, kann dies zu elektrischen Schlägen, Brand und/oder schweren Verletzungen führen.

Bewahren Sie alle Warnhinweise und Anweisungen für spätere Referenzzwecke auf. Die Bezeichnung „Gerät“ in den Warnhinweisen bezieht sich auf ein Gerät mit Netzbetrieb (über ein Kabel) oder Akkubetrieb (kabellos).

Sicherheit im Arbeitsbereich

- **Sorgen Sie für einen sauberen und gut ausgeleuchteten Arbeitsbereich.** Durch zugestellte oder dunkle Arbeitsbereiche steigt die Unfallgefahr stark an.
- **Betreiben Sie das Gerät niemals an Orten, an denen Explosionsgefahr besteht, z. B. in der Nähe von leicht entzündlichen Flüssigkeiten, Gasen oder Staubansammlungen.** Bei der Arbeit mit dem Gerät kann es zu Funkenbildung kommen, wodurch sich Stäube oder Dämpfe entzünden können.
- **Sorgen Sie bei der Arbeit mit dem Gerät dafür, dass sich keine Kinder oder unbefugte Personen in der Nähe befinden.** Durch Ablenkungen können Sie die Kontrolle über das Werkzeug verlieren.

Elektrische Sicherheit

- **Die Netzstecker des Geräts müssen zur Steckdose passen. Der Netzstecker darf in keiner Weise verändert werden. Verwenden Sie bei Geräten mit Schutzkontakt (geerdet) niemals Adapterstecker.** Nicht modifizierte Stecker und Steckdosen reduzieren das Risiko eines Elektroschocks.
- **Vermeiden Sie Körperkontakt mit geerdeten Gegenständen wie Rohrleitungen, Heizungen, Herden oder Kühlschränken.** Bei Körperkontakt mit geerdeten Gegenständen besteht ein erhöhtes Stromschlagrisiko.
- **Setzen Sie das Gerät weder Regen noch Feuchtigkeit aus.** Wenn Wasser in das Gerät eindringt, erhöht sich das Stromschlagrisiko.
- **Verwenden Sie das Anschlusskabel nicht missbräuchlich. Verwenden Sie das Anschlusskabel niemals zum Tragen oder Heranziehen des Geräts, und ziehen Sie den Stecker nicht am Anschlusskabel aus der Steckdose. Halten Sie das Kabel fern von Hitzequellen, Öl, scharfen Kanten und beweglichen Teilen.** Beschädigte oder verdrehte Anschlusskabel erhöhen das Stromschlagrisiko.
- **Wenn Sie das Gerät im Freien benutzen, verwenden Sie ein für den Außeneinsatz geeignetes Verlängerungskabel.** Die Verwendung eines für den

Außeneinsatz geeigneten Kabels verringert das Risiko eines elektrischen Schlags.

- **Falls der Einsatz des Geräts in einer feuchten Umgebung nicht zu vermeiden ist, benutzen Sie eine Stromversorgung mit FI-Schutzschalter (RCD).** Die Verwendung eines FI-Schutzschalters verringert das Risiko eines Stromschlags.

Persönliche Sicherheit

- **Blieben Sie aufmerksam, achten Sie auf das, was Sie tun, und setzen Sie Ihren gesunden Menschenverstand ein, wenn Sie mit dem Gerät arbeiten. Verwenden Sie das Gerät nicht, wenn Sie müde sind oder unter dem Einfluss von Drogen, Alkohol oder Medikamenten stehen.** Bei der Arbeit mit dem Gerät können bereits kurze Phasen der Unaufmerksamkeit zu schweren Verletzungen führen.
- **Tragen Sie eine persönliche Schutzausrüstung. Tragen Sie stets einen Augenschutz.** Schutzausrüstung wie Atemschutzmaske, rutschsichere Sicherheitsschuhe, Schutzhelm und Gehörschutz senkt bei angemessenem Einsatz das Verletzungsrisiko.
- **Vermeiden Sie ein versehentliches Starten. Achten Sie darauf, dass sich der Schalter in der AUS-Stellung befindet, bevor Sie das Gerät an die Stromversorgung und/oder den Akku anschließen oder es hochheben oder herumtragen.** Durch Herumtragen des Geräts mit dem Finger am Schalter bzw. das Einstecken des Steckers bei betätigtem Schalter erhöht sich das Unfallrisiko.
- **Entfernen Sie sämtliche Einstellschlüssel, bevor Sie das Gerät einschalten.** Ein an einem beweglichen Teil des Geräts angebrachter Schlüssel kann zu Verletzungen führen.
- **Arbeiten Sie nicht über die normale Reichweite hinaus. Achten Sie jederzeit darauf, sicher zu stehen und das Gleichgewicht zu bewahren.** Dadurch haben Sie das Gerät in unerwarteten Situationen besser im Griff.
- **Kleiden Sie sich richtig. Tragen Sie niemals lose sitzende Kleidung oder Schmuck. Halten Sie Haar und Kleidung von beweglichen Teilen fern.** Lose sitzende Kleidung, Schmuck oder langes Haar kann von beweglichen Teilen erfasst werden.
- **Wenn Anschlüsse für Staubabsaug- und Staubsammelvorrichtungen vorhanden sind, sorgen Sie dafür, dass diese richtig angeschlossen und eingesetzt werden.** Die Verwendung von Staubsammelvorrichtungen kann staubbedingte Gefahren verringern.
- **Auch wenn Sie durch häufige Verwendung bestens mit dem Gerät vertraut sind, dürfen Sie keinesfalls nachlässig werden und die Sicherheitsgrundsätze ignorieren.** Eine achtlose Handlung kann im Bruchteil einer Sekunde zu schweren Verletzungen führen.

Produktverwendung und -pflege

- **Wenden Sie keine Gewalt an. Beschränken Sie sich für Ihren Einsatz auf das korrekte Gerät.** Das korrekte Gerät wird die Aufgabe besser und sicherer und mit der Leistung ausführen, für die es ausgelegt ist.
- **Benutzen Sie das Gerät nicht, wenn es sich nicht am Schalter ein- und ausschalten lässt.** Jedes Gerät, das nicht mit dem Schalter betätigt werden kann, stellt eine Gefahr dar und muss repariert werden.
- **Trennen Sie das Gerät von der Stromversorgung bzw. entfernen Sie den Akku, bevor Sie Einstellungen vornehmen, Zubehörteile austauschen oder das Gerät verstauen.** Mit diesen Präventivmaßnahmen reduzieren Sie das Risiko eines versehentlichen unkontrollierten Starts des Gerätes.
- **Lagern Sie nicht benutzte Geräte außerhalb der Reichweite von Kindern, und lassen Sie nicht zu, dass Personen das Gerät bedienen, die nicht mit dem Gerät selbst und/oder diesen Anweisungen vertraut sind.** Die Geräte stellen in ungeschulten Händen eine Gefahr dar.
- **Pflegen Sie das Gerät und das Zubehör.** Prüfen Sie, ob bewegliche Teile falsch eingestellt sind oder klemmen und ob Teile gebrochen oder so weit beschädigt sind, dass der sichere Betrieb des Geräts beeinträchtigt werden kann. Bei Beschädigungen lassen Sie das Gerät reparieren, bevor Sie es benutzen. Viele Unfälle sind auf schlechte Gerätewartung zurückzuführen.
- **Halten Sie Schneidwerkzeuge scharf und sauber.** Ordnungsgemäß gewartete Schneidwerkzeuge mit scharfen Schneidkanten bleiben seltener hängen und sind einfacher zu bedienen.
- **Benutzen Sie das Gerät, Zubehör, Werkzeugspitzen und Ähnliches in Übereinstimmung mit diesen Anweisungen und auf die für das jeweilige Elektrowerkzeug bestimmungsgemäße Weise und beachten Sie dabei die jeweiligen Arbeitsbedingungen und die Art der auszuführenden Arbeiten.** Der Einsatz des Geräts für bestimmungswidrige Zwecke kann zu Gefahrensituationen führen.
- **Halten Sie die Handgriffe und Griffflächen trocken, sauber und frei von Öl und Fett.** Wenn Handgriffe und Griffflächen rutschig sind, kann das Gerät in unerwarteten Situationen nicht sicher bedient und kontrolliert werden.

Verwendung und Pflege von akkubetriebenen Werkzeugen

- **Eine Aufladung darf nur mit dem vom Hersteller vorgeschriebenen Ladegerät durchgeführt werden.** Durch ein für einen bestimmten Akkutyp geeignetes Ladegerät kann Brandgefahr entstehen, wenn es für einen anderen Akku verwendet wird.
- **Verwenden Sie Geräte nur mit speziell für sie ausgezeichneten Akkus.** Die Verwendung anderer

Akkus kann zu Verletzungs- und Brandgefahr führen.

- **Wird der Akku nicht verwendet, halten Sie ihn von Metallgegenständen wie Büroklammern, Münzen, Schlüsseln, Nägeln, Schrauben oder anderen kleineren Metallobjekten fern, da es zu einer Überbrückung der Kontakte kommen könnte.** Durch Kurzschluss der Akkuklemmen kann es zu Verbrennungen oder Bränden kommen.
- **Unter missbräuchlichen Bedingungen kann Flüssigkeit aus dem Akku austreten; vermeiden Sie Kontakt damit. Bei versehentlichem Hautkontakt sofort mit Wasser abspülen. Sollten Ihre Augen damit in Berührung gekommen sein, suchen Sie sofort ärztliche Hilfe auf.** Durch austretende Flüssigkeit aus dem Akku kann es zu Reizungen oder Verbrennungen kommen.
- **Verwenden Sie keinen Akku und kein Werkzeug, der bzw. das defekt ist oder modifiziert wurde.** Beschädigte oder modifizierte Akkus können ein unvorhersehbares Verhalten aufweisen, welches zu Feuer, Explosionen oder Verletzungsgefahren führen kann.
- **Setzen Sie Akku oder Werkzeug niemals Feuer oder sehr hohen Temperatur aus.** Feuer oder Temperaturen über 130 °C/265 °F können zu einer Explosion führen.
- **Befolgen Sie die Ladeanweisungen und laden Sie den Akku oder das Werkzeug niemals bei Temperaturen außerhalb den in der Anleitung angegebenen Temperaturbereichen auf.** Unsachgemäßes Aufladen oder Aufladen bei Temperaturen außerhalb des angegebenen Bereichs kann den Akku beschädigen und die Brandgefahr erhöhen.

Service

- **Lassen Sie Ihr Gerät von einem qualifizierten Fachmann reparieren, und bestehen Sie darauf, dass nur Originalersatzteile verwendet werden.** Auf diese Weise wird die Sicherheit des Geräts nicht beeinträchtigt.
- **Warten Sie niemals beschädigte Akkus.** Akkus dürfen nur vom Hersteller oder von autorisierten Serviceanbietern gewartet werden.

Sicherheitshinweise für Rasenmäher

- **Verwenden Sie den Rasenmäher nicht bei schlechten Wetterverhältnissen, insbesondere dann, wenn das Risiko eines Blitzeinschlags besteht.** Dadurch wird die Gefahr eines Blitzschlags reduziert.
- **Untersuchen Sie den Bereich, in dem der Rasenmäher eingesetzt werden soll, sorgfältig auf Tiere.** Tiere können im Betrieb durch den Rasenmäher verletzt werden.
- **Inspizieren Sie sorgfältig das Gelände, in dem der Rasenmäher eingesetzt werden soll, und entfernen Sie alle losen Gegenstände wie Steine, Stöcke, Kabel, Knochen und sonstige Fremdoobjekte.**

Aufgeschleuderte Gegenstände können schwere Verletzungen verursachen.

- **Bevor Sie den Rasenmäher verwenden, stellen Sie sicher, dass Klinge und Klingeneinheit nicht abgenutzt oder beschädigt sind.** Abgenutzte oder beschädigte Teile erhöhen das Verletzungsrisiko.
- **Überprüfen Sie den Grasfänger regelmäßig auf Verschleiß und abnehmende Leistung.** Ein abgenutzter oder beschädigter Grasfänger kann das Risiko von Verletzungen erhöhen.
- **Nehmen Sie keine Veränderungen an den Schutzvorrichtungen vor. Die Schutzvorrichtungen müssen funktionstüchtig und ordnungsgemäß angebracht sein.** Eine lose, beschädigte oder nicht ordnungsgemäß funktionierende Schutzvorrichtung kann zu Verletzungen führen.
- **Halten Sie alle Kühllufteinlässe frei von Verunreinigungen.** Verstopfte Luftpfeifen und Verunreinigungen können zu Überhitzung oder Brandgefahr führen.
- **Tragen Sie beim Betrieb des Rasenmähers stets rutschfeste Sicherheitsschuhe. Bedienen Sie den Rasenmäher nicht barfuß oder mit offenen Sandalen.** Dadurch wird die Gefahr von Verletzungen an den Füßen durch Kontakt mit der rotierenden Klinge verringert.
- **Tragen Sie beim Betrieb des Rasenmähers stets eine lange Hose.** Freiliegende Haut erhöht die Wahrscheinlichkeit von Verletzungen durch aufgeschleuderte Gegenstände.
- **Verwenden Sie den Rasenmäher nicht in feuchtem Gras. Gehen Sie, auf keinen Fall dürfen Sie laufen.** So reduzieren Sie die Verletzungsgefahr durch Wegrutschen und Stürze.
- **Betreiben Sie den Rasenmäher nicht an übermäßig steilen Hängen.** So reduzieren Sie die Verletzungsgefahr durch Kontrollverlust, Wegrutschen oder Stürze.
- **Achten Sie bei Arbeiten an Hängen immer auf festen Stand, arbeiten Sie immer quer statt längs zum Hang, und gehen Sie beim Richtungswechsel mit äußerster Vorsicht vor.** So reduzieren Sie die Verletzungsgefahr durch Kontrollverlust, Wegrutschen oder Stürze.
- **Lassen Sie besondere Vorsicht walten, wenn Sie den Rasenmäher rückwärts bewegen oder zum Körper ziehen. Achten Sie stets auf Ihre Umgebung.** So reduzieren Sie die Stolpergefahr im Betrieb.
- **Berühren Sie keine Klängen und andere gefährliche bewegliche Teile, während diese sich noch bewegen.** So reduzieren Sie die Verletzungsgefahr durch bewegliche Teile.
- **Stellen Sie beim Beseitigen von eingeklemmtem Material oder beim Reinigen des Rasenmähers sicher, dass alle Schalter ausgeschaltet sind und das Netzkabel getrennt ist.** Ein unerwarteter Start des Rasenmähers kann zu schweren Verletzungen führen.

Fehlerstromschutzschalter

- Verwenden Sie einen Fehlerstromschutzschalter mit einem Auslösestrom von maximal 30 mA.

Allgemeine Sicherheitshinweise



WARNUNG: Lesen Sie die folgenden Warnhinweise, bevor Sie das Gerät benutzen.

- Dieses Gerät ist gefährlich, wenn es falsch bedient wird oder Sie unvorsichtig sind. Wenn die Sicherheitshinweise nicht befolgt werden, kann dies zu Verletzungen oder zum Tod führen.
- Dieses Gerät erzeugt beim Betrieb ein elektromagnetisches Feld. Dieses Feld kann sich unter bestimmten Bedingungen auf die Funktionsweise aktiver oder passiver medizinischer Implantate auswirken. Um die Gefahr von Situationen, die zu schweren oder tödlichen Verletzungen führen können, zu reduzieren, sollten Personen mit einem medizinischen Implantat vor der Nutzung dieses Geräts ihren Arzt und den Hersteller des Implantats konsultieren.
- Lassen Sie immer Vorsicht walten, und arbeiten Sie mit gesundem Menschenverstand. Wenn Sie sich nicht sicher sind, wie das Gerät in einer bestimmten Situation zu bedienen ist, unterbrechen Sie die Arbeit und wenden sich an Ihren Husqvarna-Händler, bevor Sie fortfahren.
- Denken Sie daran, dass der Bediener für Unfälle mit anderen Personen oder deren Eigentum verantwortlich ist.
- Halten Sie das Gerät sauber. Stellen Sie sicher, dass Symbole und Aufkleber deutlich lesbar sind.
- Verhindern Sie, dass Kinder oder Personen, die mit den Anweisungen nicht vertraut sind, das Gerät benutzen. Unter Umständen gelten gesetzlich vorgeschriebene Altersbeschränkungen für den Bediener.
- Stellen Sie sicher, dass Personen mit verminderter physischer oder psychischer Leistungsfähigkeit dieses Gerät nicht unbeobachtet verwenden. Es muss immer ein verantwortlicher Erwachsener anwesend sein.
- Verwenden Sie das Gerät nicht, wenn Sie müde oder krank sind oder unter Einfluss von Alkohol, Drogen oder Medikamenten stehen. Dies wirkt sich negativ auf Ihre Sehkraft, Ihre Aufmerksamkeit sowie Ihr Koordinations- und Urteilsvermögen aus.
- Verwenden Sie das Gerät nicht, wenn es defekt ist.
- Verändern oder verwenden Sie dieses Gerät nicht, wenn die Möglichkeit besteht, dass andere es verändert haben.

Arbeitssicherheit



WARNUNG: Lesen Sie die folgenden Warnhinweise, bevor Sie das Gerät benutzen.

- Verwenden Sie dieses Gerät nur zum Mähen von Rasenflächen. Es ist nicht erlaubt, das Gerät für andere Aufgaben zu verwenden.
- Tragen Sie eine persönliche Schutzausrüstung. Siehe *Persönliche Schutzausrüstung auf Seite 100*.
- Stellen Sie sicher, dass Sie wissen, wie der Motor in einem Notfall schnell gestoppt werden kann.
- Verwenden Sie das Gerät nicht im Regen oder in feuchter Umgebung. Das Risiko eines elektrischen Schlags wird erhöht, wenn Wasser in das Gerät eindringt.
- Starten Sie das Gerät nicht, bevor die Klinge und alle Abdeckungen korrekt befestigt sind. Eine falsch befestigte Klinge kann sich lösen und Verletzungen verursachen.
- Stellen Sie sicher, dass die Klinge nicht auf Gegenstände wie Steine und Wurzeln trifft. Dies kann die Klinge beschädigen und die Motorwelle verbiegen. Eine verbogene Achse führt zu starken Vibrationen und birgt ein hohes Risiko, dass die Klinge sich löst.
- Wenn die Klinge auf ein Objekt trifft oder Vibrationen auftreten, müssen Sie das Gerät sofort abstellen. Stoppen Sie den Motor, drehen Sie den Sicherheitsschlüssel auf 0 und nehmen Sie den Akku heraus. Warten Sie, bis die beweglichen Teile stillstehen. Das Gerät auf Beschädigungen untersuchen. Befestigen Sie alle lockeren Teile. Reparieren bzw. ersetzen Sie alle beschädigten Teile. Lassen Sie die Reparatur von einer zugelassenen Servicewerkstatt durchführen.
- Befestigen Sie den Motorbremsbügel niemals fest am Griff, wenn der Motor läuft.
- Stellen Sie das Gerät auf eine stabile, flache Oberfläche und starten Sie es. Stellen Sie sicher, dass die Klinge nicht den Boden oder ein anderes Objekt berührt.
- Bleiben Sie immer hinter dem Gerät, wenn Sie es betreiben.
- Lassen Sie alle Räder auf dem Boden bleiben, und halten Sie den Griff mit beiden Händen, wenn Sie das Gerät betreiben. Halten Sie Hände und Füße von den rotierenden Klingen fern.
- Kippen Sie das Gerät nicht, wenn Sie den Motor starten oder das Gerät betreiben.
- Seien Sie vorsichtig, wenn Sie das Gerät nach hinten ziehen.
- Heben Sie das Gerät nicht hoch, wenn der Motor läuft. Wenn Sie das Produkt anheben müssen, stoppen Sie zuerst den Motor, drehen Sie den Sicherheitsschlüssel auf 0 und nehmen Sie den Akku heraus.

- Gehen Sie nicht rückwärts, wenn Sie das Gerät betreiben.
- Stellen Sie den Motor ab, wenn das Gerät für den Transport gekippt oder auf grasfreien Flächen (z. B. Kies-, Pflaster- oder Asphaltwege) bewegt werden soll.
- Rennen Sie nicht mit dem Gerät, wenn der Motor läuft. Gehen Sie immer, wenn Sie das Gerät benutzen.
- Stellen Sie den Motor ab, bevor Sie die Schnitthöhe verändern. Verändern Sie die Einstellungen niemals, wenn der Motor läuft.
- Lassen Sie das Gerät niemals aus den Augen, wenn der Motor läuft. Stellen Sie den Motor ab und stellen Sie sicher, dass sich die Schneid-ausrüstung nicht dreht.
- Die Vibrationen des Geräts im Betrieb können von dem in *Technische Angaben auf Seite 111* angegebenen Vibrationswert abweichen. Diese Abweichung entsteht durch die verschiedenen Nutzungsweisen des Geräts. Wenn Sie das Gerät häufig oder über längere Zeit betreiben, legen Sie regelmäßig Pausen ein, um Verletzungen durch Vibrationen zu vermeiden.

Sicherheitshinweise für den Betrieb

Persönliche Schutzausrüstung



WARNUNG: Lesen Sie die folgenden Warnhinweise, bevor Sie das Gerät benutzen.

- Die persönliche Schutzausrüstung kann Verletzungen nicht vollständig vermeiden, vermindert aber den Umfang der Verletzungen und Schäden bei einem Unfall. Lassen Sie sich bei der Auswahl der richtigen Ausrüstung von Ihrem Händler beraten.
- Tragen Sie rutschfeste Sicherheitstiefel oder -schuhe. Verwenden Sie keine offenen Schuhe, und gehen Sie nicht barfuß.
- Tragen Sie schwere, lange Hosen.
- Tragen Sie bei Bedarf Schutzhandschuhe, beispielsweise bei der Montage, der Untersuchung oder der Reinigung der Schneid-ausrüstung.
- Wir empfehlen die Verwendung eines Gehörschutzes.

Sicherheitsvorrichtungen am Gerät



WARNUNG: Lesen Sie die folgenden Warnhinweise, bevor Sie das Gerät benutzen.

- Benutzen Sie kein Gerät mit defekten Sicherheitsvorrichtungen.
- Sicherheitsvorrichtungen dürfen nicht entfernt oder verändert werden.

- Führen Sie regelmäßig eine Überprüfung der Sicherheitsvorrichtungen durch. Wenn die Sicherheitsvorrichtungen defekt sind, wenden Sie sich an Ihre Husqvarna-Servicewerkstatt.

So überprüfen Sie den Schneidschutz

Der Schneidschutz verringert Vibrationen im Gerät und das Verletzungsrisiko durch die Klinge.

- Untersuchen Sie die Schneidewerkabdeckung, um sicherzustellen, dass es keine Beschädigungen wie zum Beispiel Risse gibt.

So kontrollieren Sie den Sicherheitsschlüssel

Der Sicherheitsschlüssel befindet sich unter der Akkuabdeckung. Mit dem Sicherheitsschlüssel wird der Akku angeschlossen, der den Motor mit Strom versorgt.

- Starten und stoppen Sie den Motor, um den Sicherheitsschlüssel zu kontrollieren.
- Wenn der Sicherheitsschlüssel ordnungsgemäß funktioniert, kann der Motor nur starten, wenn der Sicherheitsschlüssel auf Position 1 steht. (Abb. 24)

Motorbremsgriff prüfen

Der Motorbremsgriff stoppt den Motor. Wenn der Motorbremsgriff losgelassen wird, stoppt der Motor.

- Starten Sie das Gerät. Siehe *So starten Sie das Gerät auf Seite 105*.
- Lassen Sie den Motorbremsgriff los. (Abb. 25)
- Vergewissern Sie sich, dass das Gerät zum Stehen gekommen ist. Wenn der Motor nicht innerhalb von 3 Sekunden stoppt, lassen Sie die Motorbremse von einer autorisierten Husqvarna-Servicewerkstatt einstellen.

Startsperre prüfen

Führen Sie eine Prüfung der Startsperre durch, um sicherzustellen, dass diese den Betrieb des Motors verhindert.

1. Drücken Sie den Motorbremsgriff in Richtung des Lenkers. Die Startsperre stoppt die Bewegung.
2. Drücken Sie die Startsperre heraus. (Abb. 26)
3. Lösen Sie die Startsperre, und stellen Sie sicher, dass sie sich zurück in die Ausgangsstellung bewegt.

Sicherer Umgang mit Akkus



WARNUNG: Lesen Sie alle Sicherheitshinweise und allgemeinen Anweisungen. Wenn Sie die Sicherheitshinweise und allgemeinen Anweisungen nicht beachten, kann dies zu Stromschlägen, Brand und/oder schweren Verletzungen führen. **Bewahren Sie alle Sicherheitshinweise und allgemeinen Anweisungen zur späteren Verwendung auf.**

- **Diese Sicherheitshinweise gelten nur für 18-V-Lithium-Ionen-Akkus für das POWER FOR ALL-System.**
- **Verwenden Sie den Akku nur in Produkten von POWER FOR ALL Systempartnern.** Mit POWER FOR ALL gekennzeichnete 18-V-Akkus sind mit folgenden Geräten vollständig kompatibel:
 - Alle Geräte des 18-V-POWER FOR ALL-Akkusystems.
 - Alle 18-V-Geräte von POWER FOR ALL-Systempartnern.
- **Beachten Sie die Akkuempfehlungen in der Betriebsanleitung Ihres Geräts.** Nur so können Akku und Gerät gefahrlos betrieben und die Akkus vor gefährlicher Überlastung geschützt werden.
- **Laden Sie die Akkus nur mit vom Hersteller oder von POWER FOR ALL-Systempartnern empfohlenen Ladegeräten auf.** Ein Ladegerät, das für einen bestimmten Akkutyp geeignet ist, kann bei Verwendung mit einem anderen Akku ein Brandrisiko darstellen.
- **Der Akku wird teilweise aufgeladen ausgeliefert.** Laden Sie den Akku im Ladegerät für volle Akkukapazität vollständig auf, bevor Sie das Elektrowerkzeug zum ersten Mal benutzen.
- **Bewahren Sie die Akkus für Kinder unzugänglich auf.**
- **Öffnen Sie den Akku nicht.** Es besteht Kurzschlussgefahr.
- **Bei Beschädigung und unsachgemäßer Verwendung des Akkus können Dämpfe freigesetzt werden. Der Akku kann sich entzünden oder explodieren.** Stellen Sie sicher, dass der Bereich gut belüftet ist, und suchen Sie einen Arzt auf, falls Sie negative Auswirkungen bemerken. Die Dämpfe können die Atemwege reizen.
- **Bei unsachgemäßer Verwendung oder bei Beschädigung kann brennbare Flüssigkeit aus dem Akku entweichen. Hautkontakt mit dieser Flüssigkeit ist zu vermeiden. Bei versehentlichem Hautkontakt, spülen Sie die Stelle sofort mit Wasser ab. Bei versehentlichem Kontakt mit den Augen, suchen Sie zusätzlich einen Arzt auf.** Austretende Akkufflüssigkeit kann Reizungen oder Verätzungen verursachen.
- **Wenn der Akku beschädigt wird, kann Flüssigkeit austreten und sich auf Oberflächen in der Nähe verteilen. Überprüfen Sie die betroffenen Teile.** Reinigen Sie diese Teile, oder ersetzen Sie sie bei Bedarf.
- **Den Akku nicht kurzschließen.** Wird der Akku nicht verwendet, halten Sie ihn von Büroklammern, Münzen, Schlüsseln, Nägeln, Schrauben oder anderen kleineren Metallgegenständen fern, da es zu einer Überbrückung der Kontakte kommen könnte. Durch Kurzschluss der Akkuklemmen kann es zu Verbrennungen oder Bränden kommen.
- **Der Akku kann durch spitze Gegenstände wie Nägel oder Schraubendreher oder durch Kraffeinwirkung**

von außen beschädigt werden. Es kann ein interner Kurzschluss auftreten, der zu Verbrennung, Rauchentwicklung, Explosion oder Überhitzung des Akkus führen kann.

- **Warten Sie niemals beschädigte Akkus.** Akkus dürfen nur vom Hersteller oder von autorisierten Serviceanbietern gewartet werden.
- **Schützen Sie den Akku vor Hitze, z. B. vor dauerhafter Sonneneinwirkung, Feuer, Schmutz, Wasser und Feuchtigkeit.** Es besteht Explosions- und Kurzschlussgefahr.
- **Der Akku darf nur im Gerät verwendet werden, wenn die Umgebungstemperatur zwischen 0 °C – +40 °C liegt.**
- **Lagern Sie den Akku nur bei einer Umgebungstemperatur zwischen -20 °C – +50 °C.** Lassen Sie den Akku beispielsweise im Sommer nicht im Auto. Bei Temperaturen unter 0 °C kann es bei einigen Geräten zu einem Leistungsverlust kommen.
- **Laden Sie den Akku nur bei einer Umgebungstemperatur zwischen 0 °C und +35 °C auf. Laden Sie den wiederaufladbaren Akku nur bei einer Umgebungstemperatur zwischen +10 °C und +35 °C mit einem USB-Kabel auf.** Das Laden außerhalb dieses Temperaturbereichs kann die Gefahr einer Beschädigung des Akkus erhöhen und eine Brandgefahr darstellen.

Sicherer Umgang mit dem Ladegerät



WARNUNG: Lesen Sie alle Sicherheitshinweise und allgemeinen Anweisungen.

Wenn Sie die Sicherheitshinweise und allgemeinen Anweisungen nicht beachten, kann dies zu Stromschlägen, Brand und/oder schweren Verletzungen führen. **Bewahren Sie diese Anleitung an einem sicheren Ort auf.**

Verwenden Sie das Ladegerät nur, wenn Sie alle Funktionen vollständig beurteilen und ohne Einschränkungen nutzen können oder wenn Sie entsprechende Anweisungen erhalten haben.

- **Dieses Ladegerät ist nicht für die Verwendung durch Kinder oder Personen mit eingeschränkten körperlichen, sensorischen oder geistigen Fähigkeiten oder Mangel an Erfahrung oder Know-how vorgesehen. Dieses Ladegerät kann von Kindern ab 8 Jahren und von Personen mit eingeschränkten körperlichen, sensorischen oder geistigen Fähigkeiten oder Mangel an Erfahrung oder Knowhow verwendet werden, wenn eine für ihre Sicherheit verantwortliche Person sie überwacht oder sie in den sicheren Betrieb des Ladegeräts eingewiesen hat und sie die damit verbundenen Gefahren verstanden haben.** Andernfalls besteht die Gefahr von Bedienungsfehlern und Verletzungen.

- **Beaufsichtigen Sie Kinder während der Verwendung, Reinigung und Wartung.** Dadurch wird verhindert, dass Kinder mit dem Ladegerät spielen.
- **Laden Sie 18 V POWER FOR ALL-Systemakkus ausschließlich mit einer Kapazität von 1,5 Ah auf. Die Akkuspannung muss mit der Ladespannung des Ladegeräts übereinstimmen. Laden Sie keine nicht wiederaufladbaren Batterien auf.** Andernfalls besteht Brand- und Explosionsgefahr.
- **Verwenden Sie das Ladegerät nur in geschlossenen Räumen und setzen Sie es keiner Feuchtigkeit aus.** Wenn Wasser in ein Elektrowerkzeug eindringt, erhöht sich das Stromschlagrisiko.
- **Halten Sie das Ladegerät sauber.** Durch Schmutz besteht Stromschlaggefahr.
- **Überprüfen Sie vor Gebrauch das Ladegerät, das Kabel und den Stecker. Verwenden Sie das Ladegerät nicht mehr, wenn Sie Beschädigungen feststellen. Öffnen Sie das Ladegerät nicht selbst, und lassen Sie es nur von Husqvarna oder einem autorisierten Kundendienstzentrum unter ausschließlicher Verwendung von Original-Ersatzteilen reparieren.** Beschädigte Ladegeräte, Kabel und Stecker erhöhen die Stromschlaggefahr.
- **Verwenden Sie das Ladegerät nicht auf leicht entzündlichen Oberflächen (z. B. Papier, Textilien usw.) oder in einer entzündlichen Umgebung.** Durch das Aufheizen des Ladegeräts während des Betriebs besteht Brandgefahr.
- **Bedecken Sie die Lüftungsschlitze des Ladegeräts nicht.** Andernfalls kann sich das Ladegerät überhitzen und funktioniert nicht mehr ordnungsgemäß.
- **Eine Aufladung darf nur mit dem vom Hersteller vorgeschriebenen Ladegerät durchgeführt werden.** Durch ein für einen bestimmten Akkutyp geeignetes Ladegerät kann Brandgefahr entstehen, wenn es für einen anderen Akku verwendet wird.
- **Bei Beschädigung und unsachgemäßer Verwendung des Akkus können ebenfalls Dämpfe freigesetzt werden.** Stellen Sie sicher, dass der Bereich gut belüftet ist, und suchen Sie einen Arzt auf, falls Sie negative Auswirkungen bemerken. Die Dämpfe können die Atemwege reizen.
- **Bei falschem Gebrauch kann Flüssigkeit aus dem Akku austreten. Hautkontakt mit dieser Flüssigkeit ist zu vermeiden. Bei versehentlichem Hautkontakt, spülen Sie die Stelle sofort mit Wasser ab. Bei versehentlichem Kontakt mit den Augen, suchen Sie zusätzlich einen Arzt auf.** Austretende Akkufflüssigkeit kann Reizungen oder Verätzungen verursachen.
- **Nur in GB verkaufte Geräte:** Das Gerät ist mit einem nach BS 1363/A zugelassenen elektrischen Stecker mit interner Sicherung ausgestattet (ASTA-Zulassung gemäß BS 1362). Wenn der Stecker nicht für Ihre Steckdosen geeignet ist, sollte er von einem autorisierten Kundendienstmitarbeiter abgeschnitten und durch einen geeigneten Stecker ersetzt werden. Der Ersatzstecker sollte die gleiche

Sicherungsleistung wie der Originalstecker haben. Der abgetrennte Stecker muss entsorgt werden, um das Risiko eines Stromschlags zu vermeiden, und darf niemals in eine andere Steckdose gesteckt werden.

Sicherheitshinweise für die Wartung



WARNUNG: Lesen Sie die folgenden Warnhinweise, bevor Sie das Gerät benutzen.

- Um ein unbeabsichtigtes Starten während der Wartung zu vermeiden, drehen Sie den Sicherheitsschlüssel auf 0 und nehmen Sie den Akku heraus. Warten Sie mindestens 5 Sekunden, bevor Sie mit der Wartung beginnen.
- Führen Sie die Wartung nur gemäß dieser Betriebsanleitung durch. Größere Eingriffe und professionelle Reparaturen sind von einer zugelassenen Servicewerkstatt auszuführen. Weitere Informationen erhalten Sie von Ihrer Servicewerkstatt.
- Führen Sie die Wartungsarbeiten zur Erhöhung der Lebensdauer des Geräts und Verringerung der Unfallgefahr ordnungsgemäß aus.
- Ersetzen Sie beschädigte, abgenutzte oder defekte Teile. Verwenden Sie nur die vom Hersteller angebotenen Originalersatzteile. Andere Ersatzteile können das Gerät beschädigen und die Unfallgefahr erhöhen.
- Um Verletzungen zu vermeiden, entfernen oder verändern Sie keine Sicherheitsvorrichtungen.
- Tragen Sie beim Umgang mit der Schneidausrüstung schwere Arbeitshandschuhe. Die Klinge ist sehr scharf, und man schneidet sich sehr leicht.
- Halten Sie die Schnittkanten sauber und scharf für die beste und sicherste Leistung.
- Ihre Servicewerkstatt sollte das Gerät regelmäßig überprüfen und notwendige Einstellungen und Reparaturen vornehmen.
- Befolgen Sie die Anweisungen für das Auswechseln von Zubehörteilen. Verwenden Sie nur Zubehör vom Gerätehersteller.
- Wenn es nicht in Betrieb ist, bewahren Sie Gerät, Akku und Ladegerät getrennt an einem trockenen und abgeschlossenen Ort auf. Achten Sie darauf, dass Kinder und unbefugte Personen keinen Zugriff auf das Gerät, den Akku oder das Ladegerät haben.

Montage

Einleitung



WARNUNG: Lesen Sie das Kapitel über Sicherheit vor der Montage des Produkts.



WARNUNG: Um ein unbeabsichtigtes Starten bei der Montage zu verhindern, drehen Sie den Sicherheitsschlüssel auf 0, entfernen Sie den Akku und warten Sie mindestens 5 Sekunden.

So stellen Sie die Handgriffhöhe ein

Das Gerät verfügt über eine frei einstellbare Griffhöhe. Die Griffhöhe kann auf eine geeignete Position zwischen 2 Sollwerten eingestellt werden.

1. Bringen Sie das Gerät in Betriebsposition. Siehe *So bringen Sie das Gerät in die Betriebsposition auf Seite 104*.
2. Drehen Sie die Verriegelungsknöpfe an den Lenkern gegen den Uhrzeigersinn. (Abb. 27)
3. Ziehen Sie die Lenker in eine geeignete Position.
4. Stellen Sie die beiden Lenker auf gleiche Höhe.



ACHTUNG: Wenn die Lenker nicht auf gleicher Höhe sind, wird das Gerät beschädigt.

5. Drehen Sie die Verriegelungsknöpfe an den Lenkern im Uhrzeigersinn.
6. Ziehen Sie die Verriegelungsknöpfe vollständig fest.

So montieren Sie den Grasfänger

1. Heben Sie die hintere Abdeckung an.
2. Entfernen Sie den Mulcheinsatz.
3. Befestigen Sie den Grasfänger an der Oberkante des Chassis.
4. Setzen Sie den unteren Teil des Grasfängers in den Grasaustrittskanal. (Abb. 28)



ACHTUNG: Stellen Sie sicher, dass der Grasfänger korrekt am Chassis des Geräts anliegt.

So montieren Sie den Mulcheinsatz

1. Heben Sie die hintere Abdeckung an, und entfernen Sie den Grasfänger.
2. Drücken Sie den Mulcheinsatz in den Grasaustrittskanal, bis ein Klicken zu hören ist. (Abb. 29)

So installieren Sie den Haken an einer Wand

- Installieren Sie den Haken im Innenbereich.
- Schützen Sie den Haken vor Sonnenlicht, und setzen Sie ihn nur Umgebungstemperaturen von $-10\text{ }^{\circ}\text{C}$ bis $+70\text{ }^{\circ}\text{C}$ aus.
- Installieren Sie den Haken an einer Trockenbau-, Holz- oder Betonwand.



ACHTUNG: Stellen Sie sicher, dass die Wand Lasten von mindestens 30 kg aufnehmen kann.

- Installieren Sie den Haken mit den drei Schrauben (A) an der Wand. Verwenden Sie bei Bedarf Dübel (B). (Abb. 30)



ACHTUNG: Stellen Sie sicher, dass die Schrauben für Ihren Wandtyp geeignet sind.

- Kontaktieren Sie Ihren Husqvarna Servicemitarbeiter, um Informationen über das verfügbare Lagerungszubehör für Ihr Gerät zu erhalten.

Betrieb

Einleitung



WARNUNG: Vor dem Betrieb des Gerätes müssen Sie die Sicherheitsinformationen lesen und verstehen.

Spannung kann zu Schäden am Kabel führen, wenn sich der Griff in der Transportposition befindet.



WARNUNG: Stellen Sie sicher, dass der Handgriff vollständig nach oben geklappt und verriegelt ist.

Husqvarna Connect

Husqvarna Connect ist eine kostenlose App für Ihr Mobilgerät. Die Husqvarna Connect App bietet erweiterte Funktionen für Ihr Gerät:

- Erweiterte Produktinformationen
- Informationen über Produktteile und -wartung sowie entsprechende Hilfe dazu.

3. Stellen Sie die Handgriffhöhe ein. Siehe *So stellen Sie die Handgriffhöhe ein auf Seite 103.*

Erste Verwendung von Husqvarna Connect

1. Laden Sie die Husqvarna Connect-App auf Ihr Mobiltelefon.
2. Anmeldung bei der Husqvarna Connect-App.
3. Befolgen Sie die Anweisungen in der Husqvarna Connect-App, um sich zu verbinden und das Gerät zu registrieren.

So stellen Sie die Schnitthöhe ein

1. Bewegen Sie den Schnitthöhenhebel nach hinten, um die Schnitthöhe zu erhöhen.
2. Bewegen Sie den Schnitthöhenhebel nach vorne, um die Schnitthöhe zu verringern. (Abb. 33)



ACHTUNG: Stellen Sie die Schnitthöhe nicht zu niedrig ein. Die Klängen können auf den Boden treffen, wenn die Oberfläche des Rasens nicht eben ist.

Hinweis: Die Husqvarna Connect-App ist nicht überall zum Download erhältlich. Ihr Servicehändler steht Ihnen gerne für weitere Informationen zur Verfügung.

So bringen Sie das Gerät in die Betriebsposition

1. Drehen Sie die Knöpfe am Handgriff in die entriegelte Position. (Abb. 31)
2. Klappen Sie den Handgriff nach oben, bis ein Klicken zu hören ist. (Abb. 32)



ACHTUNG: Stellen Sie sicher, dass die Kabel nicht zu sehr unter Spannung stehen. Eine zu hohe

Akku



WARNUNG: Vor dem Betrieb des Akkus müssen Sie die Sicherheitsinformationen lesen und verstehen. Sie müssen außerdem Bedienungsanleitung für den Akku und das Ladegerät lesen und verstehen.

Sorgen Sie für die richtigen Umgebungstemperaturen von Akku und Ladegerät.

| | Umgebungstemperatur |
|----------------------------|---|
| Betrieb des Akkus im Gerät | $0\text{ }^{\circ}\text{C}$ – $+40\text{ }^{\circ}\text{C}$ |
| Laden des Akkus | $0\text{ }^{\circ}\text{C}$ – $+35\text{ }^{\circ}\text{C}$ |

So laden Sie den Akku

Laden Sie den Akku vor dem ersten Gebrauch.

Hinweis: Der Ladevorgang ist nur möglich, wenn die Temperatur des Akkus innerhalb des zulässigen Ladetemperaturbereichs (0-45 °C) liegt.

1. Schließen Sie das Netzkabel für das Ladegerät an eine geerdete Netzsteckdose an.



ACHTUNG: Stellen Sie sicher, dass die Netzspannung und -frequenz korrekt sind.

2. Legen Sie den Akku in das Ladegerät. Wenn die grüne LED blinkt, ist der Akku mit dem Ladegerät verbunden. (Abb. 34)
3. Der Akku ist vollständig aufgeladen, wenn die grüne LED am Ladegerät leuchtet. Laden Sie den Akku für maximal 24 Stunden.
4. Trennen Sie das Ladegerät von der Netzsteckdose.



ACHTUNG: Ziehen Sie nicht am Netzkabel.

5. Nehmen Sie den Akku aus dem Ladegerät.

LED für den Akkuzustand am Ladegerät

Die rote LED (A) und die grüne LED (B) am Ladegerät zeigen den Akkuzustand an. Siehe *Fehlerbehebung des Ladegeräts auf Seite 108*.

(Abb. 35)

| LED-Anzeige | Akkuladezustand |
|--------------------------|--|
| LED blinkt schnell grün. | Der Akku lädt. |
| LED blinkt langsam grün. | Der Akku ist zu 80 % geladen. |
| LED leuchtet grün. | Der Akku ist vollständig geladen. |
| LED leuchtet rot. | Siehe <i>Fehlerbehebung des Ladegeräts auf Seite 108</i> . |
| LED blinkt schnell rot. | Siehe <i>Fehlerbehebung des Ladegeräts auf Seite 108</i> . |

LED für den Akkuzustand am Gerät

Wenn der Akku im Gerät eingesetzt ist, zeigen die LEDs am Gerät den Akkustatus an.

(Abb. 36)

| LED-Anzeige | Akkuladezustand |
|--------------------------|---|
| LED 1, 2 und 3 leuchten. | Vollständig geladen. |
| LED 1 und 2 leuchten. | Ausreichend geladen |
| LED 1 leuchtet. | Die Akkuladung ist niedrig. |
| LED 1 blinkt. | Der Akku ist leer. Die Akkuzustandsanzeige blinkt. Laden Sie den Akku auf. Siehe <i>So laden Sie den Akku auf Seite 105</i> . |

So starten Sie das Gerät

1. Öffnen Sie den Akkudeckel.
2. Legen Sie einen aufgeladenen Akku in das Akkufach ein.
3. Drehen Sie den Sicherheitsschlüssel auf 1. (Abb. 37)
4. Halten Sie sich immer hinter dem Gerät auf.
5. Lösen Sie die Startsperr. (Abb. 26)
6. Drücken Sie den Motorbremsgriff in Richtung des Lenkers. (Abb. 38)

Funktion für hohe Belastung

Wenn das Produkt langes oder nasses Gras schneidet, wird die Motordrehzahl automatisch erhöht. Der Motor wechselt zurück zum normalen Modus, wenn eine hohe Belastung nicht erforderlich ist.

Motor stirbt ab

Im Betrieb können Klinge und Motor durch Hindernisse (z. B. Verstopfung durch Gras unter der Schneidwerkabdeckung) blockiert und abgewürgt werden. Siehe *So reinigen Sie das Gerät auf Seite 107*.



WARNUNG: Bevor Sie die Schneidwerkabdeckung prüfen, lösen Sie den Motorbremsgriff, drehen den Sicherheitsschlüssel auf 0, entnehmen den Akku und warten mindestens 5 Sekunden. Wenn das Hindernis entfernt wird, besteht Verletzungsgefahr durch einen versehentlichen Neustart des Geräts.

So stoppen Sie das Gerät



WARNUNG: Stellen Sie den Sicherheitsschlüssel auf 0, bevor Sie das Gerät unbeaufsichtigt lassen.

1. Lösen Sie den Motorbremsgriff, um den Motor auszuschalten. (Abb. 39)
2. Öffnen Sie die Akkuabdeckung, und drehen Sie den Sicherheitsschlüssel auf 0. (Abb. 40)

3. Um den Akku zu entfernen, drücken Sie die Entriegelungstaste und ziehen den Akku heraus. (Abb. 41)
4. Laden Sie den Akku, wenn er schwach ist. Weitere Informationen finden Sie unter *So laden Sie den Akku auf Seite 105*.

- Schneiden Sie nicht mehr als $\frac{1}{3}$ der Länge des Grasses ab. Mähen Sie zuerst mit einer hohen Schnitthöhe. Überprüfen Sie das Ergebnis, und senken Sie die Schnitthöhe auf eine entsprechende Stufe. Wenn das Gras sehr lang ist, fahren Sie langsam und mähen bei Bedarf 2-mal.
- Mähen Sie bei jedem Mal in eine andere Richtung, um Streifen auf dem Rasen zu vermeiden.
- Halten Sie die Schneidwerkabdeckung sauber. Ansammlungen von Gras und Schmutz auf der Innenseite der Schneidwerkabdeckung können das Schneidergebnis beeinträchtigen. Siehe *So reinigen Sie das Gerät auf Seite 107*.

So erhalten Sie ein gutes Arbeitsergebnis

- Benutzen Sie immer eine scharfe Klinge. Eine stumpfe Klinge liefert ein unregelmäßiges Ergebnis, und die Schnittfläche des Grasses wird gelb. Eine scharfe Klinge verbraucht außerdem weniger Energie als eine stumpfe Klinge.

Wartung

Einleitung



WARNUNG: Bevor Sie eine Wartung durchführen, müssen Sie das Kapitel über die Sicherheit lesen und verstehen.

Für alle Wartungs- und Reparaturarbeiten am Produkt ist eine spezielle Schulung erforderlich. Wir garantieren die Verfügbarkeit von professionellen Reparaturen und Wartungsarbeiten. Wenn Ihr Händler keine Servicewerkstatt ist, sprechen Sie mit ihm, um Informationen über die nächste Servicewerkstatt zu erhalten.

Genauere Informationen finden Sie unter www.husqvarna.com.

Wartungsplan

Die Wartungsintervalle werden anhand der täglichen Nutzung des Geräts berechnet. Die Intervalle ändern sich, wenn das Gerät nicht täglich verwendet wird.

Für Wartungsarbeiten, die mit * gekennzeichnet sind, siehe Anweisungen in *Sicherheit auf Seite 96*.

| | Nach jedem Einsatz | Monatlich | Zu jeder Jahreszeit |
|--|--------------------|-----------|---------------------|
| Allgemeine Inspektion durchführen. | X | | |
| Das Gerät reinigen. | X | | |
| Die Startsperrle prüfen. * | X | | |
| Sicherstellen, dass die Sicherheitsvorrichtungen am Gerät nicht beschädigt sind. * | X | | |
| Die Schneidausrüstung prüfen. | X | | |
| Die Schneidwerkabdeckung prüfen. * | X | | |
| Den Motorbremsgriff prüfen. * | X | | |
| Den Akku auf Schäden kontrollieren. | X | | |
| Den Ladezustand des Akkus überprüfen. | X | | |
| Sicherstellen, dass die Entriegelungstaste am Akku richtig funktioniert und der Akku in das Gerät einrastet. | X | | |
| Das Ladegerät auf Beschädigungen überprüfen und sicherstellen, dass es ordnungsgemäß funktioniert. | | X | |

| | Nach jedem Einsatz | Monatlich | Zu jeder Jahreszeit |
|---|--------------------|-----------|---------------------|
| Die Verbindungen zwischen Akku und Gerät überprüfen. Die Verbindung zwischen Akku und Ladegerät ebenfalls überprüfen. | | | X |

So führen Sie eine allgemeine Inspektion durch

- Stellen Sie sicher, dass die Muttern und Schrauben am Produkt nicht beschädigt sind.
- Stellen Sie sicher, dass die Kabel an dem Produkt nicht so liegen, dass sie beschädigt werden könnten.

So reinigen Sie das Gerät

- Kunststoffteile mit einem sauberen und trockenen Tuch reinigen.
- Verwenden Sie kein Wasser zur Reinigung des Produkts. Wasser kann in den Akku oder den Motor eindringen und einen Kurzschluss oder andere Schäden am Produkt verursachen.
- Reinigen Sie das Gerät nicht mit einem Hochdruckreiniger.
- Lassen Sie kein Wasser direkt auf den Motor gelangen.
- Verwenden Sie einen Pinsel, um Blätter, Gras und Schmutz zu entfernen.

So reinigen Sie den Akku und das Ladegerät



WARNUNG: Reinigen Sie weder den Akku noch das Ladegerät mit Wasser.



WARNUNG: Verwenden Sie keine chemischen Substanzen zum Reinigen des Akkus.

- Stellen Sie sicher, dass der Akku und das Ladegerät sauber und trocken sind, bevor Sie den Akku in das Ladegerät einlegen.
- Reinigen Sie die Akkuklemmen mit Druckluft oder einem weichen, trockenen Tuch.
- Reinigen Sie die Oberflächen des Akkus und des Ladegeräts mit einem weichen, trockenen Tuch.

So prüfen Sie die Schneidausrüstung



WARNUNG: Um ein unbeabsichtigtes Starten zu verhindern, drehen Sie den Sicherheitsschlüssel auf 0, entfernen Sie den Akku und warten Sie mindestens 5 Sekunden.



WARNUNG: Tragen Sie Schutzhandschuhe, wenn Sie an der Schneidausrüstung eine Wartung durchführen. Die Klinge ist sehr scharf und man schneidet sich sehr leicht.

1. Prüfen Sie die Schneidausrüstung auf Beschädigungen oder Risse. Wechseln Sie eine beschädigte Schneidausrüstung unbedingt aus.
2. Schauen Sie sich die Klinge an, um festzustellen, ob sie beschädigt oder stumpf ist.

Hinweis: Nach dem Schärfen muss die Klinge ausbalanciert werden. Lassen Sie eine Servicewerkstatt die Klinge schärfen, ersetzen und ausbalancieren. Wenn Sie auf ein Hindernis treffen, das das Produkt zum Halten bringt, ersetzen Sie die beschädigte Klinge. Lassen Sie die Werkstatt beurteilen, ob die Klinge geschliffen werden kann oder ersetzt werden muss.

So tauschen Sie die Klinge aus

Siehe *Technische Angaben auf Seite 111* für weitere Informationen zum richtigen Klingentyp.



WARNUNG: Sichern Sie die Klinge mit einem Holzblock, um Verletzungen der Finger beim Austausch der Klinge zu vermeiden. Die Klinge lässt sich bei ausgeschaltetem Motor bewegen, sodass die Finger zwischen Klinge und feststehenden Teilen eingeklemmt werden können.

1. Arretieren Sie die Klinge mit einem Holzblock. (Abb. 42)
2. Entfernen Sie den Bolzen der Klinge.
3. Entfernen Sie die Klinge.
4. Prüfen Sie die Halterung und den Bolzen der Klinge, um festzustellen, ob Beschädigungen vorliegen.
5. Prüfen Sie die Motorwelle, um sicherstellen, dass sie nicht geknickt ist.
6. Wenn Sie die neue Klinge montieren, zeigen die abgewinkelten Enden der Klinge in die Richtung der Schneidwerkabdeckung. (Abb. 43)
7. Stellen Sie sicher, dass die Klinge mit der Mitte der Motorwelle ausgerichtet ist.

8. Arretieren Sie die Klinge mit einem Holzblock. Befestigen Sie die Federscheibe, und ziehen Sie die Schraube und die Unterlegscheibe mit einem Drehmoment von 23-28 Nm an. (Abb. 44)
9. Drehen Sie die Klinge mit der Hand, um sicherzustellen, dass sie sich einwandfrei dreht.

sehr scharf, und man schneidet sich sehr leicht.

10. Starten Sie das Gerät, um die Klinge zu prüfen. Wenn die Klinge nicht richtig befestigt ist, gibt es im Gerät Vibrationen, oder das Schneidergebnis ist unbefriedigend.



WARNUNG: Tragen Sie Sicherheitshandschuhe. Die Klinge ist

Fehlerbehebung

Fehlerbehebung des Ladegeräts

| Die LED am Akkula- degerät | Ursache | Lösung |
|--|--|--|
| Die grüne LED leuchtet und die rote LED blinkt. | Der Akku wurde nicht korrekt in das Ladegerät eingesetzt. | Nehmen Sie den Akku aus dem Ladegerät und setzen Sie den Akku wieder in das Ladegerät ein. |
| | Die Akkusteckverbinder sind verschmutzt. | Reinigen Sie die Akkusteckverbinder. |
| | Das Ladegerät hat einen internen Fehler erkannt. | Stellen Sie sicher, dass alle Akkus vollständig eingelegt sind. Ziehen Sie den Netzstecker, und stecken Sie ihn wieder ein. Wenn der Fehler erneut auftritt, lassen Sie das Ladegerät von einem autorisierten Kundendienstzentrum für Husqvarna Geräte überprüfen. |
| | Der Akku ist defekt. | Den Akku ersetzen. |
| Die rote LED leuchtet und die grüne LED ist aus. | Die Akkutemperatur liegt außerhalb des Ladebereichs. | Warten Sie, bis die Akkutemperatur wieder im zulässigen Ladetemperaturbereich (0-45 °C) liegt. |
| Die grüne und die rote LED leuchten nicht. | Das Ladegerät ist nicht richtig an die Netzsteckdose angeschlossen. | Schließen Sie das Ladegerät an eine Steckdose an. |
| | Defekte Netzsteckdose. | Schließen Sie das Akkuladegerät an eine Quelle mit der auf dem Typenschild angegebenen Spannung und Frequenz an. |
| | Das Kabel des Ladegeräts ist defekt. | Bitte eine autorisierte Servicewerkstatt kontaktieren. |
| | Das Ladegerät ist defekt. | |
| Andere Fehler. | Wenn andere Fehler auftreten, schalten Sie das Gerät aus, entfernen den Akku und wenden sich an eine zugelassene Servicewerkstatt. | |

Fehlerbehebung des Rasenmähers

Die Warnanzeige (Fehler-LED) befindet sich auf der Rückseite des Geräts hinter dem Akkudeckel.

| Problem | Fehler-LED (Blinkanzahl) | Ursache | Lösung |
|--|--|--|--|
| Fehler-LED blinkt. Das Gerät arbeitet nicht korrekt. | 5 | Die Klinge ist blockiert. | Den Sicherheitsschlüssel auf 0 drehen, um ein versehentliches Starten zu verhindern. Den Akku entfernen und mindestens 5 Sekunden warten. Mögliche Hindernisse entfernen und sicherstellen, dass sich die Klinge frei drehen kann. Falls das Problem weiter besteht, eine autorisierte Servicewerkstatt kontaktieren. |
| | | Die Motordrehzahl fällt zu stark ab, und der Motor stoppt. | Die Schnitthöhe erhöhen. Siehe <i>So stellen Sie die Schnitthöhe ein auf Seite 104.</i> |
| | 10 | Die Motorsteuerung ist zu heiß. | Den Motor abschalten und warten, bis er sich abgekühlt hat. |
| Fehler-LED blinkt. Das Gerät schaltet sich ab. | 22 | Die Akkutemperatur ist zu hoch, weil die Temperatur der Arbeitsumgebung zu hoch ist. | Entfernen Sie den Akku aus dem Gerät, und warten Sie, bis er abgekühlt ist, bevor Sie das Gerät erneut starten. Stellen Sie sicher, dass die Umgebungstemperatur korrekt ist. Verwenden Sie den Akku bei Temperaturen zwischen 0 °C und 40 °C. Wenn das Problem weiterhin besteht, wenden Sie sich an eine zugelassene Servicewerkstatt. |
| | | Die Akkutemperatur ist zu hoch, weil der Motor überlastet ist | Die Schnitthöhe erhöhen. Siehe <i>So stellen Sie die Schnitthöhe ein auf Seite 104.</i> Falls das Problem weiter besteht, eine autorisierte Servicewerkstatt kontaktieren. |
| | 0 | Akku-Anschluss defekt. | Akku-Anschluss überprüfen. |
| | 3 | Der Motor ist überlastet. | Die Schnitthöhe erhöhen. Siehe <i>So stellen Sie die Schnitthöhe ein auf Seite 104.</i> |
| | 9 | Akkufehler oder kein Signal vom Akku. | Den Akku korrekt in das Gerät einsetzen und den Akku-Anschluss überprüfen. Wenn die Fehler-LED am Akku blinkt, siehe <i>Fehlerbehebung des Ladegeräts auf Seite 108.</i> Falls das Problem weiter besteht, eine autorisierte Servicewerkstatt kontaktieren. |
| | 8 | Der Akku ist schwach. | Akku aufladen. Siehe <i>So laden Sie den Akku auf Seite 105.</i> |
| | 12 | Falsche Vorgehensweise beim Anlassen. Der Motorbremsgriff wurde vor dem Motorstart betätigt. | Den Motorbremsgriff lösen und ca. 5 Sekunden warten. Den Motorbremsgriff erneut nach unten drücken, um das Gerät zu starten. |
| Andere Fehler. | Wenn andere Fehler auftreten, stellen Sie den Sicherheitsschlüssel auf 0, entfernen den Akku und wenden sich an eine zugelassene Servicewerkstatt. | | |

Transport, Lagerung und Entsorgung

Einleitung



WARNUNG: Um ein unbeabsichtigtes Starten bei Transport und Lagerung zu verhindern, drehen Sie den Sicherheitsschlüssel auf 0, entfernen den Akku und warten mindestens 5 Sekunden.

So bringen Sie das Gerät in die Transportposition

1. Entfernen Sie den Grasfänger, und stellen Sie sicher, dass der Grasfänger leer ist.
2. Drehen Sie die Verriegelungsknöpfe am Handgriff gegen den Uhrzeigersinn in die entriegelte Position. (Abb. 45)
3. Drücken Sie den Handgriff in Richtung der hinteren Abdeckung.
4. Drehen Sie die Verriegelungsknöpfe am Handgriff im Uhrzeigersinn in die verriegelte Position.
5. Drehen Sie die Knöpfe am Handgriff in die entriegelte Position. (Abb. 46)
6. Klappen Sie den Handgriff nach unten, bis ein Klicken zu hören ist. (Abb. 47)

Siehe *So bringen Sie das Gerät in die Lagerungsposition auf Seite 110* für die Lagerung des Geräts.

Transport

- Die enthaltenen Lithium-Ionen-Batterien unterliegen den gesetzlichen Bestimmungen zu gefährlichen Gütern.
- Für gewerbliche Transporte müssen besondere Anforderungen bei Verpackung und Kennzeichnung eingehalten werden.
- Stellen Sie sicher, dass Sie sich an die Vorschriften für gefährliche Güter halten, wenn Sie das Produkt für den Transport vorbereiten. Gegebenenfalls gelten örtliche Vorschriften.
- Entnehmen Sie die für den Transport stets den Akku.
- Decken Sie die Akkustecker mit Klebeband ab und stellen Sie sicher, dass der Akku sich während des Transports nicht bewegen kann.
- Sichern Sie das Produkt während des Transports.

Lagerung

- Lassen Sie das Gerät vor der Lagerung abkühlen.
- Entnehmen Sie für die Lagerung stets den Akku.
- Stellen Sie zur Vermeidung von Unfällen sicher, dass der Akku während der Lagerung nicht an das Gerät angeschlossen bleibt.

- Bewahren Sie das Ladegerät an einem geschlossenen und trockenen Ort auf.
- Bewahren Sie den Akku und das Ladegerät an einem trockenen Ort ohne Feuchtigkeit oder Frost auf.
- Trennen Sie den Akku während der Lagerung vom Ladegerät.
- Lagern Sie den Akku nicht an einem Ort, an dem es zu elektrostatischen Entladungen kommen kann. Bewahren Sie den Akku nicht in einem Metallkasten auf.
- Lagern Sie das Gerät an einem Ort mit einer Umgebungstemperatur zwischen -20 °C und +50 °C.
- Lagern Sie den Akku an einem Ort mit einer Umgebungstemperatur zwischen -20 °C und +50 °C, und setzen Sie ihn nicht direkter Sonneneinstrahlung aus.
- Lagern Sie das Ladegerät an einem trockenen, abgeschlossenen und frostfreien Ort.
- Stellen Sie sicher, dass der Akku sauber und geladen ist, bevor Sie das Gerät für längere Zeit einlagern.
- Bewahren Sie das Gerät, den Akku und das Ladegerät an einem verschließbaren Ort und für Kinder und unbefugte Personen unzugänglich auf.
- Reinigen Sie das Gerät, und stellen Sie sicher, dass der Grasfänger leer ist.
- Führen Sie die Wartungsarbeiten durch, die in dieser Betriebsanleitung beschrieben sind. Siehe *Wartung auf Seite 106*.
- Führen Sie eine vollständige Wartung durch, bevor Sie das Gerät für längere Zeit einlagern.

So bringen Sie das Gerät in die Lagerungsposition



WARNUNG: Um ein unbeabsichtigtes Starten bei Transport und Lagerung zu verhindern, drehen Sie den Sicherheitsschlüssel auf 0, entfernen den Akku und warten mindestens 5 Sekunden.

1. Entfernen Sie den Akku.
2. Bringen Sie das Gerät in die Transportposition. Siehe *So bringen Sie das Gerät in die Transportposition auf Seite 110*.
3. Bringen Sie das Gerät zum Lagerungsort.

So lagern Sie das Gerät horizontal auf dem Boden

1. Bringen Sie das Gerät in die Lagerungsposition. Siehe *So bringen Sie das Gerät in die Lagerungsposition auf Seite 110*.

2. Bringen Sie den Grasfänger an. Siehe *So montieren Sie den Grasfänger auf Seite 111*.
3. Lagern Sie das Gerät horizontal auf dem Boden. (Abb. 48)

So lagern Sie das Gerät vertikal auf dem Boden

1. Bringen Sie das Gerät in die Lagerungsposition. Siehe *So bringen Sie das Gerät in die Lagerungsposition auf Seite 110*.
2. Heben Sie das Gerät an den Aufnahmepunkten am Handgriff an, und stellen Sie es vertikal auf eine ebene Fläche. (Abb. 49)



WARNUNG: Heben Sie das Gerät nicht an der Schneidwerkabdeckung an. Die Klinge ist sehr scharf, und man schneidet sich sehr leicht.

3. Bringen Sie den Grasfänger an. Siehe *So montieren Sie den Grasfänger auf Seite 111*.
4. Stellen Sie sicher, dass das Gerät stabil ist und die beiden Stützbeine den Boden berühren.
5. Lagern Sie das Gerät vertikal auf dem Boden. (Abb. 50)

So lagern Sie das Gerät vertikal am mitgelieferten Haken



WARNUNG: Hängen Sie das Gerät nur mit dem mitgelieferten Haken an die Wand.

1. Montieren Sie den mitgelieferten Haken. Siehe *So installieren Sie den Haken an einer Wand auf Seite 104*.
2. Bringen Sie das Gerät in die Lagerungsposition. Siehe *So bringen Sie das Gerät in die Lagerungsposition auf Seite 110*.
3. Heben Sie das Gerät an den Aufnahmepunkten am Handgriff an. (Abb. 49)



WARNUNG: Heben Sie das Gerät nicht an der Schneidwerkabdeckung an.

Die Klinge ist sehr scharf, und man schneidet sich sehr leicht.

4. Hängen Sie das Gerät vertikal am mitgelieferten Haken an. Siehe *So installieren Sie den Haken an einer Wand auf Seite 104*. (Abb. 51)
5. Stellen Sie sicher, dass das Gerät korrekt und stabil an den beiden Hakenstangen hängt.
6. Bringen Sie den Grasfänger an. Siehe *So montieren Sie den Grasfänger auf Seite 111*.

So montieren Sie den Grasfänger

1. Befestigen Sie den Grasfänger in der Nut an der Vorderseite des Geräts. (Abb. 52)
2. Drücken Sie den unteren Teil des Grasfängers gegen den Aufnahmepunkt, bis Sie ein Klicken hören. (Abb. 53)

Entsorgen

Durch Symbole auf dem Gerät oder seiner Verpackung wird angezeigt, dass dieses Gerät nicht über den Hausmüll entsorgt werden darf. Es ist einer entsprechenden Recycling-Einrichtung zuzuführen, damit elektrische und elektronische Komponenten wiedergewonnen werden können.

Dadurch, dass Sie sicherstellen, dass Sie mit diesem Gerät sorgfältig umgehen, können Sie helfen, den potentiellen negativen Auswirkungen auf die Umwelt und Ihre Mitmenschen entgegenzuwirken, die sich andernfalls durch eine unsachgemäße Entsorgung dieses Geräts ergeben können. Genauere Informationen über die ordnungsgemäße Entsorgung dieses Geräts erhalten Sie bei Ihrer Stadtverwaltung, Ihrem Abfallentsorgungsunternehmen oder dem Geschäft, in dem Sie Ihr Gerät gekauft haben.

(Abb. 54)

Nur für EU-Länder: Gemäß Richtlinie 2006/66/EG müssen defekte oder gebrauchte Akkus getrennt gesammelt und umweltgerecht entsorgt werden.

Nur für Großbritannien: Gemäß Altbatterien- und Akkumulatorverordnung 2009 (SI 2009/890) (in der jeweils gültigen Fassung) müssen nicht mehr verwendbare Akkus getrennt gesammelt und umweltgerecht entsorgt werden.

Technische Angaben

Technical data

| | Aspire LC34-P4A |
|---------------------------------------|-----------------------|
| Schneidmotor | |
| Motortyp | BLDC (bürstenlos) 18V |
| Motordrehzahl – Nennwert, U/min | 3000 |
| Motordrehzahl – hohe Belastung, U/min | 3500 |

| | |
|--|------------------------|
| | Aspire LC34-P4A |
| Motorleistung – max. kW | 0,7 |
| Motorleistung – Nennwert, kW | 0,5 |
| Antriebsmotor | |
| Motorleistung – Nennwert, kW | k.A. |
| Eigene Gehgeschwindigkeit, km/h | k.A. |
| Anpasswerte Geschwindigkeit | k.A. |
| Gewicht | |
| Gewicht ohne Beutel (ohne Akku), kg | 11,5 |
| Gewicht mit Beutel (inkl. 1x P4A 18-B72), kg | 13,5 |
| Akku | |
| Akkutyp | Lithium-Ionen |
| Akkulaufzeit | |
| Akkulaufzeit, Min. ¹⁷ | 60 |
| Geräuschemissionen ¹⁸ | |
| Schalleistungspegel, gemessen dB (A) | 86 |
| Schalleistungspegel, garantiert L _{WA} dB (A) | 87 |
| Schallpegel ¹⁹ | |
| Schalldruckpegel am Ohr des Bedieners, dB (A) | 74 |
| Vibrationspegel ²⁰ | |
| Griff, m/s ² | 0,5 |
| Schneidausrüstung | |
| Schnitthöhe, mm | 30-65 |
| Schnittbreite, cm | 34 |
| Klinge, Standard | Combi 5375561-10 |
| Klingenzubehör | k.A. |
| Grasfängervolumen, l | 30 |

Zugelassene Akkus

Dieses Gerät kann mit allen **POWER FOR ALL**-Akkus betrieben werden. Für optimale Leistung wird empfohlen, Akkus mit mindestens 4,0 Ah zu verwenden.

¹⁷ (Leerlauf) mit aktiviertem Standardmodus, mit einem Husqvarna 4,0-Ah-Akku (P4A 18-B72).

¹⁸ Umweltbelastende Geräuschemissionen, gemessen als Schalleistung (L_{WA}) gemäß EG-Richtlinie 2000/14/EG.

¹⁹ Die für den Schalldruckpegel angegebenen Werte haben einen Messunsicherheitsfaktor von 1,5 dB(A).

²⁰ Die für den Vibrationspegel angegebenen Werte haben einen Messunsicherheitsfaktor von 1,5 m/s². Der angegebene Vibrationsgesamtwert wurde gemäß EN 62841-4-3, Anhang 1 gemessen und kann zum Maschinenvergleich sowie für eine vorläufige Beurteilung der Exposition herangezogen werden.

| Akku | P4A 18-B45 | P4A 18-B72 |
|----------------------------|-------------------|-------------------|
| Typ | Lithium-Ionen | Lithium-Ionen |
| Akkukapazität, Ah | 2,5 | 4,0 |
| Nennspannung, V | 18 | 18 |
| Gewicht, kg | 0,35 | 0,65 |
| Anzahl der Zellen (Li-Ion) | 5 | 10 |

Zugelassene Ladegeräte

| Akkuladegerät | P4A 18-C70 |
|----------------------|-------------------|
| Eingangsspannung, V | 220–240 |
| Frequenz, Hz | 50–60 |
| Leistung, W | 70 |

Konformitätserklärung

EU-Konformitätserklärung

Die **Husqvarna AB**, SE-561 82 Huskvarna, Schweden,
Tel.: +46-36-146500, erklärt in alleiniger Verantwortung,
dass das Gerät:

| | |
|------------------------|-----------------------|
| Beschreibung | Rasenmäher |
| Marke | Husqvarna |
| Typ/Modell | Aspire LC34-P4A |
| Identifizierung | Seriennummern ab 2022 |

die folgenden EU-Richtlinien und -Verordnungen erfüllt:

| Verordnung | Beschreibung |
|-------------------|--|
| 2006/42/EG | „Maschinenrichtlinie“ |
| 2014/30/EG | „EMV-Richtlinie“ |
| 2000/14/EG | „über umweltbelastende Geräuschemissionen von zur Verwendung im Freien vorgesehenen Geräten und Maschinen“ |
| 2011/65/EG | „zur Beschränkung der Verwendung bestimmter gefährlicher Stoffe in Elektro- und Elektronikgeräten“ |

und dass die folgenden Normen und/oder technischen Daten angewendet werden: EN 62841-1:2015/AC:2015, EN IEC 62841-4-3:2021/A11:2021, EN ISO 12100:2010, EN 55014-1:2021, EN 55014-2:2021, EN IEC 61000-6-2:2019, EN IEC 61000-6-3:2021, EN IEC 63000:2018

Benannte Stelle: 0404, RISE SMP Svensk Maskinprovning AB, Box 4053, SE-904 03 Umeå, Schweden bestätigte die Konformität mit der Richtlinie 2000/14/EG, Konformitätsbewertungsverfahren nach: Anhang VI.

Informationen zu Geräuschemissionen finden Sie unter *Technische Angaben auf Seite 111*.

Huskvarna, 2022-10-24



Claes Losdal, Entwicklungsleiter/Gartenprodukte,
Husqvarna AB

Verantwortlich für die technische Dokumentation



Lizenzen

Copyright © 2012–2020 STMicroelectronics

Die Garantie deckt keine Schäden, die sich aus normalem Verschleiß, Fahrlässigkeit, unzulässigem Einsatz, unbefugten Reparaturen oder Anschluss der Ansaugvorrichtung an eine falsche Spannung ergeben.

Alle Rechte vorbehalten.

Verbreitung und Verwendung in Quell- und Binärform, mit oder ohne Änderungen, sind zulässig, sofern folgende Bedingungen erfüllt sind:

- Bei der Verbreitung von Quellcode müssen der obige Copyright-Hinweis, diese Liste der Bedingungen und folgender Haftungsausschluss enthalten sein.
- Bei der Verbreitung in Binärform müssen der obige Copyright-Hinweis, diese Liste der Bedingungen und folgender Haftungsausschluss in den Unterlagen und/oder anderen Materialien, die bei der Verbreitung bereitgestellt werden, enthalten sein.
- Weder der Name von STMicroelectronics noch die Namen seiner Mitwirkenden dürfen ohne vorherige schriftliche Genehmigung zur Bewerbung von Produkten verwendet werden, die auf Grundlage dieser Software erstellt wurden.

DIESE SOFTWARE WIRD VON DEN URHEBERRECHTSINHABERN UND DAZU BEITRAGENDEN IN DER VORLIEGENDEN FORM ZUR VERFÜGUNG GESTELLT, UND ALLE AUSDRÜCKLICHEN ODER STILLSCHWEIGENDEN GARANTIEEN, EINSCHLIEßLICH, ABER NICHT BESCHRÄNKT AUF DIE STILLSCHWEIGENDEN GARANTIEEN DER MARKTGÄNGIGKEIT UND EIGNUNG FÜR EINEN BESTIMMTEN ZWECK, WERDEN AUSGESCHLOSSEN. IN KEINEM FALL HAFTET DER URHEBERRECHTSINHABER ODER DAZU BEITRAGENDE FÜR UNMITTELBARE, MITTELBARE, BEILÄUFIG ENTSTANDENE, KONKRETE ODER FOLGESCHÄDEN MIT STRAFZWECK ODER OHNE (EINSCHLIEßLICH, ABER NICHT BESCHRÄNKT AUF BESCHAFFUNG VON ERSATZGÜTERN ODER -DIENSTLEISTUNGEN, VERLUST VON NUTZUNG, DATEN ODER GEWINNEN ODER BETRIEBSUNTERBRECHUNGEN), DIE AUF BELIEBIGE WEISE VERURSACHT WURDEN UND FÜR DIE EINE THEORETISCHE HAFTBARKEIT BESTEHT, SEI ES DURCH EINEN VERTRAG, ERFOLGSHAFTUNG ODER SCHADENERSATZRECHT (EINSCHLIEßLICH FAHRLÄSSIGKEIT ODER ANDEREM), DIE IN IRGENDWEINER WEISE AUS DER NUTZUNG DIESER SOFTWARE ENTSTEHEN, SELBST WENN AUF DIE MÖGLICHKEIT EINES SOLCHEN SCHADENS HINGEWIESEN WURDE.

Apache 2.0 Lizenz

Copyright © 2009–2019 Arm Limited. Alle Rechte vorbehalten.

Version 2.0, Januar 2004 <http://www.apache.org/licenses/>

GESCHÄFTSBEDINGUNGEN FÜR DIE NUTZUNG, VERVIELFÄLTIGUNG UND VERBREITUNG

1. Definitionen.

„**Lizenz**“ bezeichnet die in den Abschnitten 1 bis 9 dieses Dokuments definierten Bedingungen für die Nutzung, Vervielfältigung und Verbreitung. „**Lizenzgeber**“ bezeichnet den Urheberrechtsinhaber oder die durch den Urheberrechtsinhaber bevollmächtigte juristische Person, die die Lizenz vergibt. „**Juristische Person**“ bezeichnet die Gesamtheit der handelnden juristischen Person und aller anderen juristischen Personen, die diese juristische Person kontrollieren, von ihr kontrolliert werden oder mit ihr unter gemeinsamer Kontrolle stehen. Im Sinne dieser Definition bedeutet „**Kontrolle**“ (i) die direkte oder indirekte Befugnis, die Leitung oder Verwaltung dieser juristischen Person durch Vertrag oder anderweitig zu veranlassen, oder (ii) Besitz eines Anteils von mindestens fünfzig Prozent (50 %) der in Umlauf befindlichen Aktien oder (iii) nutznießender Besitz dieser juristischen Person. „**Sie**“ (oder „**Ihr**“, „**Ihre**“, „**Ihren**“, „**Ihres**“, „**Ihnen**“) bezeichnet eine natürliche oder juristische Person, die die durch diese Lizenz gewährten Berechtigungen ausübt. „**Quell**“-Form bezeichnet die bevorzugte Form für Änderungen, einschließlich, aber nicht beschränkt auf Software-Quellcode, Dokumentationsquelle und Konfigurationsdateien. „**Maschinen**“-Form bezeichnet jede Form, die sich aus der maschinellen Umwandlung oder Übersetzung einer Quellform ergibt, einschließlich, aber nicht beschränkt auf kompilierten Maschinencode, generierte Dokumentation und Umwandlungen in andere Medientypen. „**Werk**“ bezeichnet das urheberrechtlich geschützte Werk in Quell- oder Maschinenform, das im Rahmen der Lizenz zur Verfügung gestellt wird, wie durch einen Urheberrechtsvermerk angegeben, der in dem Werk enthalten oder diesem beigefügt ist (ein Beispiel ist im Anhang unten angegeben). „**Abgeleitete Werke**“ sind alle Werke, ob in Quell- oder Maschinenform, denen das Werk zugrunde liegt (oder von diesem abgeleitet wurden) und für die die redaktionellen Überarbeitungen, Anmerkungen, Ausarbeitungen oder sonstigen Änderungen insgesamt ein urheberrechtliches Originalwerk darstellen. Für die Zwecke dieser Lizenz schließen abgeleitete Werke keine Werke ein, die von den Schnittstellen des Werks und der davon abgeleiteten Werke getrennt bleiben oder lediglich mit diesen verknüpft werden können (oder namentlich gebunden sind). „**Beitrag**“ bezeichnet alle urheberrechtlich geschützten Werke, einschließlich der Originalversion des Werks und aller Änderungen oder Ergänzungen dieses Werks oder davon abgeleiteter Werke, die vom Urheberrechtsinhaber oder von

einer natürlichen oder juristischen Person, die zur Einreichung im Namen des Urheberrechtlichsinhabers berechtigt ist, absichtlich bei dem Lizenzgeber zur Aufnahme in das Werk eingereicht wird. Im Sinne dieser Definition bezeichnet „**eingereicht**“ jede Form von elektronischer, mündlicher oder schriftlicher Kommunikation, die an den Lizenzgeber oder seine Vertreter gesendet wird, einschließlich, aber nicht beschränkt auf Kommunikation auf elektronischen Verteilerlisten, Quellcode-Kontrollsystemen und Problemverfolgungssystemen, die vom Lizenzgeber oder in dessen Namen verwaltet werden, um das Werk zu besprechen und zu verbessern, jedoch ohne Kommunikation, die vom Urheberrechtlichsinhaber mit „**Kein Beitrag**“ oder anderweitig schriftlich gekennzeichnet sind. „**Beitragender**“ bezeichnet den Lizenzgeber und jede natürliche oder juristische Person, für die ein Beitrag vom Lizenzgeber eingegangen und anschließend in das Werk integriert wurde.

2. Erteilung einer Urheberrechtlichlizenz.

Vorbehaltlich der Bedingungen dieser Lizenz gewährt Ihnen jeder Beitragende hiermit eine unbefristete, weltweite, nicht exklusive, kostenlose, gebührenfreie, unwiderrufliche Urheberrechtlichlizenz zur Vervielfältigung, Vorbereitung abgeleiteter Werke, öffentlichen Ausstellung, öffentlichen Ausführung, Unterlizenzierung und Verbreitung des Werks und solcher abgeleiteter Werke in Quell- oder maschineller Form.

3. Erteilung einer Patentlichenz.

Vorbehaltlich der Bedingungen dieser Lizenz gewährt Ihnen jeder Beitragende hiermit eine unbefristete, weltweite, nicht exklusive, kostenlose, unwiderrufliche (außer wie in diesem Abschnitt angegeben) Patentlichenz zur Herstellung, zur Herstellung durch Dritte, zum Verkauf, zur Nutzung, zur Einfuhr und anderweitigen Übertragung des Werks, wobei diese Lizenz nur für Patentansprüche gilt, die von dem Beitragenden lizenziert werden können und die notwendigerweise allein oder durch eine Kombination seiner Beiträge am Werk, an das diese Beiträge übermittelt wurden, verletzt werden. Wenn Sie Patentstreitigkeiten gegen eine juristische Person (einschließlich Widerklage oder Gegenklage in einem Rechtsstreit) anstellen, aufgrund der Annahme, dass das Werk oder ein im Werk enthaltener Beitrag eine unmittelbare oder mittelbare Patentverletzung darstellt, dann enden alle Ihnen im Rahmen dieser Lizenz für dieses Werk gewährten Patentlizenzen mit dem Datum, an dem ein solches Verfahren eingereicht wird.

4. Verbreitung.

Sie dürfen Kopien des Werks oder davon abgeleiteter Werke in jedem Medium, mit oder ohne Änderungen sowohl in Quell- oder Maschinenform vervielfältigen und verbreiten, sofern Sie folgende Bedingungen erfüllen:

- Sie müssen allen anderen Empfängern des Werks oder abgeleiteter Werke eine Kopie dieser Lizenz überlassen und
- Sie müssen dafür sorgen, dass alle geänderten Dateien mit gut sichtbaren Hinweisen versehen werden, die darauf hinweisen, dass Sie die Dateien geändert haben. Weiterhin müssen Sie in der Quellform aller abgeleiteten Werke, die Sie verbreiten, alle Urheber-, Patent-, Marken- und Zuschreibungshinweise aus der Quellform des Werks bewahren, mit Ausnahme der Hinweise, die sich nicht auf einen Teil der abgeleiteten Werke beziehen und
- Wenn das Werk im Rahmen seiner Verbreitung eine Textdatei mit dem Namen „**NOTICE**“ enthält, müssen alle abgeleiteten Werke, die Sie verbreiten, eine lesbare Kopie der in dieser NOTICE-Datei enthaltenen Zuschreibungshinweise enthalten, mit Ausnahme derjenigen Hinweise, die sich nicht auf irgendeinen Teil der abgeleiteten Werke beziehen, und zwar an mindestens einer der folgenden Stellen: innerhalb einer NOTICE-Textdatei, die als Teil der abgeleiteten Werke verbreitet wird, innerhalb des Quellformulars oder der Dokumentation, wenn diese zusammen mit den abgeleiteten Werken bereitgestellt werden, oder innerhalb einer von den abgeleiteten Werken generierten Anzeige, falls und wo auch immer solche Hinweise Dritter normalerweise erscheinen. Der Inhalt der NOTICE-Datei dient nur zu Informationszwecken und ändert die Lizenz nicht. Sie können Ihre eigenen Zuschreibungshinweise in von Ihnen verbreiten abgeleiteten Werken neben oder als Ergänzung zum NOTICE-Text des Werks hinzufügen, vorausgesetzt, dass solche zusätzlichen Zuschreibungshinweise nicht als Änderung der Lizenz ausgelegt werden können. Sie können Ihre eigene Urheberrechtserklärung zu Ihren Änderungen hinzufügen und zusätzliche oder andere Lizenzbedingungen für die Verwendung, Reproduktion oder Verbreitung Ihrer Änderungen oder für alle abgeleiteten Werke als Ganzes bereitstellen, vorausgesetzt, Sie verwenden, reproduzieren und vertreiben das Werk ansonsten in Übereinstimmung mit den in dieser Lizenz genannten Bedingungen.

5. Einreichung von Beiträgen.

Sofern Sie nicht ausdrücklich etwas anderes angeben, unterliegt jeder Beitrag, den Sie absichtlich zur Aufnahme in das Werk beim Lizenzgeber eingereicht haben, ohne zusätzliche Bedingungen den Bedingungen dieser Lizenz. Ungeachtet der vorstehenden Bestimmungen darf keine der hier aufgeführten Bestimmungen die Bedingungen einer separaten Lizenzvereinbarung, die Sie möglicherweise mit dem Lizenzgeber in Bezug auf solche Beiträge geschlossen haben, ersetzen oder ändern.

6. Warenzeichen.

Diese Lizenz erteilt keine Erlaubnis zur Verwendung von Markennamen, Marken, Dienstleistungsmarken oder Produktbezeichnungen des Lizenzgebers, außer wenn dies für eine angemessene und übliche Verwendung zur Beschreibung der Herkunft des Werkes und zur Reproduktion des Inhalts der NOTICE-Datei erforderlich ist.

7. Gewährleistungsausschluss.

Sofern nicht durch geltendes Recht vorgeschrieben oder schriftlich vereinbart, stellt der Lizenzgeber das Werk (und jeder Beitragende seine Beiträge) IN DER VORLIEGENDEN FORM zur Verfügung, OHNE GARANTIE ODER BEDINGUNGEN JEGLICHER ART, sei es ausdrücklich oder stillschweigend, einschließlich, aber nicht beschränkt auf Garantien oder Bedingungen des EIGENTUMSRECHTS, DER NICHTVERLETZUNG von RECHTEN, der MARKTGÄNGIGKEIT, oder EIGNUNG FÜR EINEN BESTIMMTEN ZWECK. Sie sind allein dafür verantwortlich, die Angemessenheit der Nutzung oder Weiterverbreitung des Werkes zu bestimmen und alle Risiken zu übernehmen, die mit der Ausübung von Berechtigungen im Rahmen dieser Lizenz verbunden sind. 8. Haftungsbeschränkung. Unter keinen Umständen und unter keinem rechtlichen Gesichtspunkt, ob unerlaubte Handlung (einschließlich Fahrlässigkeit), Vertrag oder anderem, es sei denn, dies ist nach geltendem Recht erforderlich (z. B. vorsätzliche und grob fahrlässige Handlungen) oder dies wurde schriftlich vereinbart, haftet irgendein Beitragender Ihnen gegenüber für

Schäden, einschließlich unmittelbarer, mittelbarer, konkrete, beiläufig entstandene oder Folgeschäden jeglicher Art, die sich aus dieser Lizenz oder aus der Nutzung oder der Unmöglichkeit der Nutzung des Werkes ergeben (einschließlich, aber nicht beschränkt auf Schäden aufgrund von Verlust des Geschäftswert, Arbeitsunterbrechung, Computerausfall oder -fehlfunktion oder alle anderen kommerziellen Schäden oder Verluste), selbst wenn der Beitragende von der Möglichkeit solcher Schäden in Kenntnis gesetzt wurde.

9. Annahme von Gewährleistung oder zusätzlicher Haftung.

Bei der Weiterverbreitung des Werkes oder der davon abgeleiteten Werke können Sie entscheiden, die Annahme von Unterstützung, Gewährleistung, Schadloshaltung oder andere Haftungsverpflichtungen und/oder -rechte, die mit dieser Lizenz übereinstimmen, anzubieten und eine Gebühr dafür zu erheben. Bei der Annahme dieser Verpflichtungen dürfen Sie jedoch nur in Ihrem eigenen Namen und in Ihrer alleinigen Verantwortung handeln, nicht im Namen eines anderen Beitragenden, und nur dann, wenn Sie zustimmen, jeden Beitragenden von jeglicher Haftung oder Ansprüchen auszuschließen, ihn dagegen zu verteidigen und davon schadlos zu halten, die durch oder gegen diesen Beitragenden geltend gemacht werden, weil Sie eine solche Gewährleistung oder zusätzliche Haftung akzeptieren. ENDE DER GESCHÄFTSBEDINGUNGEN

Eingetragene Marken

QR Code ist eine eingetragene Marke von DENSO WAVE INCORPORATED in Japan.

Περιεχόμενα

| | | | |
|-------------------------------|-----|--|-----|
| Εισαγωγή..... | 118 | Μεταφορά, αποθήκευση και απόρριψη..... | 133 |
| Ασφάλεια..... | 119 | Τεχνικά στοιχεία..... | 135 |
| Συναρμολόγηση..... | 126 | Δήλωση Συμμόρφωσης..... | 138 |
| Λειτουργία..... | 127 | Άδειες..... | 139 |
| Συντήρηση..... | 129 | Σήματα κατατεθέντα..... | 141 |
| Αντιμετώπιση προβλημάτων..... | 131 | | |

Εισαγωγή

Περιγραφή προϊόντος

Το προϊόν είναι ένα ωθούμενο χλοοκοπτικό πεζού χειριστή με κύλινδρο. Το χορτάρι συλλέγεται σε έναν συλλέκτη χόρτου. Αφαιρέστε τον συλλέκτη χορταριού για να εξαγάγετε το χόρτο από την πίσω πλευρά. Συνδέστε ένα πώμα χορτολιπάσματος για κοπή του χόρτου σε λίσσασμα.

Προβλεπόμενη χρήση

Χρησιμοποιήστε το προϊόν για την κοπή γρασιδιού. Μην χρησιμοποιείτε το προϊόν για άλλες εργασίες.

Επισκόπηση προϊόντος

(Εικ. 1)

1. Λαβή φρένου μοτέρ
2. Αναστολέας εκκίνησης
3. Λαβή / χειρολαβή
4. Κουμπί ασφάλισης της χειρολαβής
5. Χειρόβιδες λαβής
6. Συλλέκτης χόρτου
7. Πώμα χορτολιπάσματος
8. Πίσω κάλυμμα
9. Λυχνία LED πάνω στο προϊόν
10. Προειδοποιητική λυχνία (LED σφάλματος)
11. Κλειδί ασφαλείας
12. Χώρος μπαταρίας
13. Καπάκι μπαταρίας
14. Σύμβολα
15. Μοχλός ρύθμισης του ύψους κοπής
16. Μπαταρία (αξεσουάρ)
17. Φορτιστής μπαταρίας (αξεσουάρ)
18. Κόκκινη λυχνία LED
19. Πράσινη λυχνία LED
20. Σημεία ανύψωσης
21. Άγκιστρο
22. Εγχειρίδιο χρήσης

Γρήγορος οδηγός

Σαρώστε τον κωδικό QR για συμβουλές σχετικά με τον τρόπο χρήσης του προϊόντος.



Σύμβολα στο προϊόν

- (Εικ. 2) ΠΡΟΕΙΔΟΠΟΙΗΣΗ
- (Εικ. 3) Διαβάστε τις οδηγίες.
- (Εικ. 4) ΠΡΟΕΙΔΟΠΟΙΗΣΗ - Προσοχή σε αντικείμενα που εκτοξεύονται.
- (Εικ. 5) Απομακρύνετε τυχόν παριστάμενα άτομα.
- (Εικ. 6) ΠΡΟΕΙΔΟΠΟΙΗΣΗ – Κρατήστε τα χέρια και τα πόδια σας μακριά από τις λεπίδες.
- (Εικ. 7) ΠΡΟΕΙΔΟΠΟΙΗΣΗ – Αποσυνδέστε την μπαταρία πριν από τη συντήρηση.
- (Εικ. 8) Το προϊόν ή η συσκευασία του προϊόντος δεν αποτελεί οικιακό απόρριμμα. Ανακυκλώστε το σε κέντρο ανακύκλωσης ηλεκτρικού και ηλεκτρονικού εξοπλισμού.
- (Εικ. 9) Ετικέτα εκπομπών θορύβου στο περιβάλλον σύμφωνα με οδηγίες και κανονισμούς της ΕΕ και του Η.Β. και τη νομοθεσία της Νότιας Νέας Ουαλίας "Κανονισμός για την προστασία των περιβαλλοντικών δράσεων (έλεγχος

θορύβου) του 2017". Η εγγυημένη στάθμη θορύβου του προϊόντος καθορίζεται στην ενότητα *Τεχνικά στοιχεία στη σελίδα 135* και στην επικέτα.

(Εικ. 20)

Η μπαταρία πρέπει να χρησιμοποιείται μόνο σε προϊόντα από τους συνεργάτες του συστήματος POWER FOR ALL.

(Εικ. 10) Αυτό το εξάρτημα συμμορφώνεται με τις ισχύουσες οδηγίες ΕΚ.

(Εικ. 11) Αυτό το προϊόν συμμορφώνεται με τις ισχύουσες οδηγίες του Η.Β.

(Εικ. 12) Το προϊόν διαθέτει προστασία από διαρροές νερού.

(Εικ. 13) Για να διακόψετε τη λειτουργία, αφήστε τη λαβή του φρένου του μοτέρ.

(Εικ. 14) Πίστετε τη λαβή του φρένου του μοτέρ για να αρχίσουν να κινούνται οι λεπίδες.

(Εικ. 15) Κωδικός με δυνατότητα σάρωσης.

(Εικ. 18) Περιστρέψτε για κλείδωμα ή ξεκλείδωμα.

(Εικ. 21)
(Εικ. 22) Προστατέψτε την μπαταρία από τη θερμότητα, π.χ. από το συνεχές έντονο ηλιακό φως, τη φωτιά, τη βρωμιά, το νερό και την υγρασία. Υπάρχει κίνδυνος έκρηξης και βραχυκυκλώματος.

(Εικ. 16) Χρησιμοποιείτε και φυλάσσετε το φορτιστή μπαταρίας μόνο σε εσωτερικούς χώρους.

(Εικ. 17) Διπλή μόνωση.

Επικέτα στο προϊόν

(Εικ. 23)

KINΔΥΝΟΣ – Μην πλησιάζετε τα χέρια και τα πόδια σας.

Ευθύνη προϊόντος

Όπως αναφέρεται στη νομοθεσία περί ευθύνης για τα προϊόντα, δεν φέρουμε καμία ευθύνη για ζημιές που οφείλονται στο προϊόν μας εάν:

- Το προϊόν έχει επισκευαστεί λανθασμένα.
- Το προϊόν έχει επισκευαστεί με εξαρτήματα που δεν προέρχονται από τον κατασκευαστή ή που δεν έχουν εγκριθεί από τον κατασκευαστή.
- Το προϊόν διαθέτει ένα αξεσουάρ που δεν προέρχεται από τον κατασκευαστή ή που δεν έχει εγκριθεί από τον κατασκευαστή.
- Το προϊόν δεν έχει επισκευαστεί σε εγκεκριμένο κέντρο σέρβις ή από εγκεκριμένη αρχή.

Περιεχόμενα Άλλα σύμβολα/σήματα που υπάρχουν στο προϊόν αναφέρονται σε απαιτήσεις πιστοποίησης για ορισμένες αγορές.

Σύμβολα στην μπαταρία ή/και στον φορτιστή της μπαταρίας

(Εικ. 19)

Ανακυκλώστε αυτό το προϊόν σε κέντρο ανακύκλωσης ηλεκτρικού και ηλεκτρονικού εξοπλισμού. (Ισχύει μόνο για την Ευρώπη)

Ασφάλεια

Ορισμοί για την ασφάλεια

Για την επισήμανση ειδικών σημαντικών τμημάτων του εγχειριδίου χρησιμοποιούνται προειδοποιήσεις, συστάσεις προσοχής και σημειώσεις.



ΠΡΟΕΙΔΟΠΟΙΗΣΗ: Χρησιμοποιείται όταν υπάρχει κίνδυνος τραυματισμού ή θανάτου του χειριστή ή άλλων παριστάμενων ατόμων, αν δεν τηρηθούν οι οδηγίες που παρέχονται στο εγχειρίδιο.



ΠΡΟΣΟΧΗ: Χρησιμοποιείται όταν υπάρχει κίνδυνος πρόκλησης ζημιάς στο προϊόν, σε άλλα υλικά ή στον παρακείμενο χώρο, αν δεν τηρηθούν οι οδηγίες που παρέχονται στο εγχειρίδιο.

Περιεχόμενα Χρησιμοποιείται για παροχή περισσότερων πληροφοριών, οι οποίες χρειάζονται σε μια δεδομένη κατάσταση.

Γενικές προειδοποιήσεις ασφαλείας για το προϊόν



ΠΡΟΕΙΔΟΠΟΙΗΣΗ: Διαβάστε όλες τις προειδοποιήσεις, τις οδηγίες, τις εικόνες και τις προδιαγραφές ασφαλείας που παρέχονται με αυτό το προϊόν. Η μη τήρηση όλων των οδηγιών που αναφέρονται παρακάτω μπορεί να προκαλέσει ηλεκτροπληξία, πυρκαγιά ή/και σοβαρό τραυματισμό.

Φυλάξτε τις προειδοποιήσεις και τις οδηγίες για μελλοντική αναφορά. Ο όρος "πρόϊόν" που χρησιμοποιείται στις προειδοποιήσεις αναφέρεται σε προϊόν που τροφοδοτείται από το δίκτυο ρεύματος (με καλώδιο) ή σε προϊόν που τροφοδοτείται από μπαταρία (χωρίς καλώδιο).

Ασφάλεια στο χώρο εργασίας

- Διατηρείτε το χώρο εργασίας καθαρό και με καλό φωτισμό. Οι ακατάστατοι ή σκοτεινοί χώροι ενέχουν τον κίνδυνο ατυχημάτων.
- Μην χειρίζεστε το προϊόν σε εκρηκτικές ατμόσφαιρες, π.χ. στον ίδιο χώρο με εύφλεκτα υγρά, αέρια ή σωματίδια σκόνης. Το προϊόν δημιουργεί σπινθήρες, οι οποίοι ενδέχεται να προκαλέσουν την ανάφλεξη των σωματιδίων σκόνης ή των καπνών.
- Κατά τον χειρισμό του προϊόντος, δεν πρέπει να βρίσκονται κοντά παιδιά ή άλλοι παρευρισκόμενοι. Ενδέχεται να αποσπάσουν την προσοχή σας, με αποτέλεσμα να χάσετε τον έλεγχο.

Ασφάλεια με το ηλεκτρικό ρεύμα

- Το βύσμα του προϊόντος πρέπει να ταιριάζει στην πρίζα. Μην τροποποιείτε ποτέ το βύσμα. Μην χρησιμοποιείτε προσαρμογείς με γειωμένα προϊόντα. Η χρήση μη τροποποιημένων φιν και αντίστοιχων πριζών μειώνει τον κίνδυνο ηλεκτροπληξίας.
- Αποφεύγετε την επαφή του σώματος με γειωμένες επιφάνειες, όπως σωλήνες, καλοριφέρ, κουζίνες και ψυγεία. Υπάρχει αυξημένος κίνδυνος ηλεκτροπληξίας, αν το σώμα σας έρθει σε επαφή με τη γείωση.
- Μην εκθέτετε τα προϊόντα στη βροχή ή σε συνθήκες υγρασίας. Σε περίπτωση εισχώρησης νερού στο προϊόν, αυξάνεται ο κίνδυνος ηλεκτροπληξίας.
- Μην προκαλείτε φθορά στο καλώδιο. Μην χρησιμοποιείτε ποτέ το καλώδιο για τη μεταφορά, το τράβηγμα ή την αποσύνδεση του προϊόντος. Φυλάσσετε το καλώδιο μακριά από θερμότητα, λάδια, αιχμηρές άκρες ή κινούμενα εξαρτήματα. Εάν το καλώδιο καταστραφεί ή εμπλακεί, αυξάνεται ο κίνδυνος ηλεκτροπληξίας.
- Όταν χρησιμοποιείτε ένα προϊόν σε εξωτερικό χώρο, χρησιμοποιήστε ένα καλώδιο προέκτασης που είναι κατάλληλο για χρήση σε εξωτερικό χώρο. Η χρήση καλωδίου κατάλληλου για εξωτερικό χώρο μειώνει τον κίνδυνο ηλεκτροπληξίας.

- Αν η χρήση ενός προϊόντος σε χώρο με υγρασία είναι αναπόφευκτη, χρησιμοποιήστε παροχή ρεύματος με διάταξη προστασίας από ρεύματα διαρροής (RCD). Η χρήση μιας συσκευής RCD μειώνει τον κίνδυνο ηλεκτροπληξίας.

Προσωπική ασφάλεια

- Να είστε σε εγρήγορση, να παρακολουθείτε αυτό που κάνετε και να χρησιμοποιείτε την κοινή λογική όταν χρησιμοποιείτε ένα προϊόν. Μην χρησιμοποιείτε προϊόντα όταν είστε κουρασμένοι ή υπό την επίδραση ναρκωτικών, αλκοόλ ή φαρμάκων. Μια στιγμή απροσεξίας κατά τον χειρισμό των προϊόντων μπορεί να οδηγήσει σε σοβαρό τραυματισμό.
 - Πρέπει να χρησιμοποιείτε προσωπικό εξοπλισμό προστασίας. Φοράτε πάντοτε προστατευτικά γυαλιά. Ο εξοπλισμός προστασίας, όπως προστατευτική μάσκα αναπνοής, αντιολισθητικά παπούτσια ασφαλείας, κράνος ή προστατευτικά ακοής σε κατάλληλες συνθήκες, μειώνει τον κίνδυνο τραυματισμών.
 - Φροντίστε ώστε να μην είναι εφικτή η ακούσια εκκίνηση. Βεβαιωθείτε ότι ο διακόπτης βρίσκεται στη θέση Off προτού συνδέσετε το προϊόν στην πηγή τροφοδοσίας ή/και στην μπαταρία και προτού πάσετε ή μεταφέρετε το προϊόν. Η μεταφορά των προϊόντων, ενώ έχετε το χέρι σας στον διακόπτη, ή η σύνδεση ενεργοποιημένων προϊόντων σε πρίζα ενέχει κίνδυνο ατυχήματος.
 - Αφαιρέστε τυχόν κλειδιά προσαρμογής ή σύσφιξης, προτού ενεργοποιήσετε το προϊόν. Ένα κλειδί σύσφιξης ή ρύθμισης που παραμένει προσαρτημένο σε κινούμενο μέρος του προϊόντος μπορεί να προκαλέσει τραυματισμό.
 - Μην τεντώνετε υπερβολικά. Να πατάτε καλά τα πόδια σας και να διατηρείτε την ισορροπία σας συνεχώς. Έτσι επιτυγχάνεται καλύτερος έλεγχος του προϊόντος σε τυχόν απρόβλεπτες καταστάσεις.
 - Φοράτε κατάλληλα ρούχα. Μην φοράτε φαρδιά ρούχα ή κοσμήματα. Φροντίστε τα μαλλιά και τα ρούχα σας να βρίσκονται σε απόσταση από τα κινούμενα εξαρτήματα. Τα φαρδιά ρούχα, τα κοσμήματα ή τα μακριά μαλλιά ενδέχεται να πιαστούν σε κινούμενα μέρη.
 - Εάν παρέχονται διατάξεις για τη σύνδεση συστημάτων συλλογής και απομάκρυνσης σκόνης, βεβαιωθείτε ότι αυτές έχουν συνδεθεί και χρησιμοποιούνται σωστά. Να χρησιμοποιείτε σύστημα συλλογής σκόνης για να μειώσετε τους κινδύνους που σχετίζονται με τη σκόνη.
 - Ακόμη και αν χρησιμοποιείτε συχνά και είστε εξοικειωμένοι με τα προϊόντα, μην επαναπαύεστε και μην παραβλέπετε τις αρχές ασφαλείας των εργαλείων. Μια απρόσεκτη ενέργεια μπορεί να προκαλέσει σοβαρό τραυματισμό σε κλάσμα του δευτερολέπτου.
- ### Χρήση και φροντίδα προϊόντος
- Μην ασκείτε δύναμη το προϊόν. Χρησιμοποιήστε το κατάλληλο προϊόν για την εφαρμογή σας.

Το κατάλληλο προϊόν θα προσφέρει υψηλότερη απόδοση και ασφάλεια κατά την εργασία σας στο βαθμό για τον οποίο έχει σχεδιαστεί.

- **Μην χρησιμοποιείτε το προϊόν, εάν δεν μπορεί να ενεργοποιηθεί και να απενεργοποιηθεί με τον διακόπτη.** Ένα προϊόν που δεν μπορεί να ελεγχθεί από τον διακόπτη είναι επικίνδυνο και πρέπει να επισκευαστεί.
- **Αποσυνδέστε το βύσμα από την πηγή τροφοδοσίας ή/και αφαιρέστε την μπαταρία, αν είναι αποσπώμενη, από το προϊόν πριν από την πραγματοποίηση ρυθμίσεων, την αλλαγή αξεσουάρ ή την αποθήκευση ηλεκτρικών εργαλείων.** Αυτά τα προληπτικά μέτρα ασφαλείας μειώνουν τον κίνδυνο ακούσιας εκκίνησης του προϊόντος.
- **Φυλάσσετε τα προϊόντα που βρίσκονται σε αδράνεια μακριά από παιδιά και μην επιτρέπετε σε άτομα που δεν είναι εξοικειωμένα με αυτά ή με τις οδηγίες να χρησιμοποιούν το προϊόν.** Τα προϊόντα είναι επικίνδυνα στα χέρια μη εκπαιδευμένων χρηστών.
- **Συντηρείτε τα προϊόντα και τα αξεσουάρ.** Ελέγξτε το προϊόν για τυχόν εσφαλμένη ευθυγράμμιση ή κινούμενα εξαρτήματα που μαγκώνουν, σπασμένα εξαρτήματα ή άλλες καταστάσεις που ενδέχεται να επηρεάσουν τη λειτουργία του προϊόντος. Σε περίπτωση ζημιάς, φροντίστε για την επισκευή του προϊόντος προτού το χρησιμοποιήσετε. Πολλά ατυχήματα προκαλούνται από προϊόντα που δεν συντηρούνται σωστά.
- **Διατηρείτε τα εργαλεία κοπής αιχμηρά και καθαρά.** Εάν τα εργαλεία κοπής συντηρούνται σωστά, με αιχμηρές άκρες κοπής, είναι λιγότερο πιθανή η εμπλοκή τους και πιο εύκολος ο έλεγχός τους.
- **Χρησιμοποιείτε το προϊόν, τα εξαρτήματα και τα τρυπάνια σύμφωνα με τις οδηγίες αυτές, λαμβάνοντας υπόψη τις συνθήκες εργασίας και την εργασία που πρέπει να εκτελεστεί.** Η χρήση του προϊόντος για εργασίες διαφορετικές από αυτές για τις οποίες προορίζεται μπορεί να οδηγήσει σε επικίνδυνες καταστάσεις.
- **Διατηρήστε τις χειρολαβές και τις επιφάνειες κρατήματος στεγνές και καθαρές, χωρίς λάδια και γράσο.** Οι ολισθηρές λαβές ή επιφάνειες κρατήματος δεν επιτρέπουν τον ασφαλή χειρισμό και έλεγχο του προϊόντος σε απρόβλεπτες καταστάσεις.

Χρήση και φροντίδα εργαλείων μπαταρίας

- **Να επαναφορτίζετε μόνο με το φορτιστή που ορίζεται από τον κατασκευαστή.** Ένας φορτιστής κατάλληλος για έναν τύπο συστοιχίας μπαταριών μπορεί να δημιουργήσει κίνδυνο φωτιάς κατά τη χρήση με άλλη συστοιχία μπαταριών.
- **Χρησιμοποιείτε προϊόντα μόνο με τις προδιαγραφόμενες μπαταρίες.** Η χρήση οποιασδήποτε άλλης μπαταρίας μπορεί να προκαλέσει κίνδυνο τραυματισμού ή πυρκαγιάς.
- **Όταν η μπαταρία δεν χρησιμοποιείται, πρέπει να την φυλάσσετε μακριά από άλλα μεταλλικά αντικείμενα, όπως συνδετήρες, νομίσματα, κλειδιά, καρφιά, βίδες ή άλλα μικρά μεταλλικά αντικείμενα, που μπορεί να**

προκαλέσουν ένωση των πόλων. Η βραχυκύκλωση των ακροδεκτών της μπαταρίας μεταξύ τους μπορεί να προκαλέσει εγκαύματα ή πυρκαγιά.

- **Σε περίπτωση ακατάλληλου χειρισμού, μπορεί να εκπαισθεί υγρό από την μπαταρία.** Αποφεύγετε κάθε επαφή. Σε περίπτωση τυχαίας επαφής, ξεπλύνετε με νερό. Εάν το υγρό έρθει σε επαφή με τα μάτια, ζητήστε επίσημη ιατρική βοήθεια. Η εκτόξευση υγρού από την μπαταρία μπορεί να προκαλέσει ερεθισμούς ή εγκαύματα.
- **Μην χρησιμοποιείτε μπαταρίες ή εργαλεία που έχουν υποστεί ζημιά ή μετατροπές.** Οι μπαταρίες που έχουν υποστεί ζημιά ή τροποποίηση μπορεί να παρουσιάσουν απρόβλεπτη συμπεριφορά με αποτέλεσμα να προκληθεί κίνδυνος πυρκαγιάς, έκρηξης ή τραυματισμού.
- **Μην εκθέτε τις μπαταρίες ή τα εργαλεία σε φωτιά ή υπερβολική θερμοκρασία.** Η έκθεση σε φωτιά ή θερμοκρασίες πάνω από 130 °C/265 °F μπορεί να προκαλέσει έκρηξη.
- **Ακολουθήστε όλες τις οδηγίες φόρτισης και μην φορτίζετε τις μπαταρίες ή τα εργαλεία εκτός του εύρους θερμοκρασίας που προδιαγράφεται στις οδηγίες.** Η φόρτιση με λανθασμένο τρόπο ή σε θερμοκρασίες εκτός του προδιαγραφόμενου εύρους μπορεί να προκαλέσει ζημιά στην μπαταρία και αυξάνει τον κίνδυνο πυρκαγιάς.

Υπηρεσία

- **Αναθέστε το σέρβις του προϊόντος σας σε εξειδικευμένο τεχνικό για επισκευή με τη χρήση μόνο πανομοιότυπων ανταλλακτικών.** Έτσι διασφαλίζεται η ασφάλεια του προϊόντος.
- **Μην εκτελείτε εργασίες σέρβις σε κατεστραμμένες μπαταρίες.** Οι εργασίες σέρβις σε μπαταρίες θα πρέπει να εκτελούνται μόνο από τον κατασκευαστή ή από εξουσιοδοτημένα καταστήματα σέρβις.

Προειδοποιήσεις ασφαλείας για το ωθούμενο χλοοκοπτικό

- **Μην χρησιμοποιείτε το ωθούμενο χλοοκοπτικό σε κακές καιρικές συνθήκες, ιδιαίτερα όταν υπάρχει κίνδυνος κεραυνού.** Έτσι μειώνεται ο κίνδυνος να σας χτυπήσει κεραυνός.
- **Επιθεωρήστε προσεκτικά την περιοχή όπου θα χρησιμοποιηθεί το ωθούμενο χλοοκοπτικό για ύπαρξη πανίδας.** Η πανίδα μπορεί να τραυματιστεί από το ωθούμενο χλοοκοπτικό κατά τη διάρκεια της λειτουργίας.
- **Επιθεωρήστε προσεκτικά την περιοχή όπου θα χρησιμοποιηθεί το ωθούμενο χλοοκοπτικό και αφαιρέστε όλες τις πέτρες, τα κλαδιά, τα καλώδια, τα κόκκαλα και οποιαδήποτε άλλα ξένα αντικείμενα.** Τα αντικείμενα που εκτοξεύονται μπορούν να προκαλέσουν τραυματισμό.
- **Πριν από τη χρήση, επιθεωρείτε πάντα οπτικά το ωθούμενο χλοοκοπτικό για να βεβαιωθείτε ότι η λεπίδα και το συγκρότημα λεπίδας δεν έχουν φθαρεί ή καταστραφεί.** Τα εξαρτήματα που έχουν υποστεί φθορά ή ζημιά αυξάνουν τον κίνδυνο τραυματισμού.

- **Ελέγχετε συχνά τον συλλέκτη χόρτου για φθορά ή μειωμένη απόδοση.** Ο φθαρμένος ή κατεστραμμένος συλλέκτης χόρτου μπορεί να αυξήσει τον κίνδυνο προσωπικού τραυματισμού.
- **Διατηρείτε τα προστατευτικά στη θέση τους. Τα προστατευτικά πρέπει να βρίσκονται σε λειτουργική κατάσταση και να είναι σωστά τοποθετημένα.** Εάν ένα προστατευτικό είναι χαλαρό, έχει υποστεί ζημιά ή δεν λειτουργεί σωστά, μπορεί να προκληθεί τραυματισμός.
- **Διατηρήστε όλες τις εισαγωγές αέρα ψύξης καθαρές από υπολείμματα.** Οι φραγμένες εισαγωγές αέρα και τα υπολείμματα μπορεί να προκαλέσουν υπερθέρμανση ή κίνδυνο πυρκαγιάς.
- **Κατά τη λειτουργία του ωθούμενου χλοοκοπτικού, φοράτε πάντα αντολισθητικά και προστατευτικά παπούτσια. Μην χρησιμοποιείτε το ωθούμενο χλοοκοπτικό με γυμνά πόδια ή φορώντας σανδάλια.** Αυτό μειώνει την πιθανότητα τραυματισμού των ποδιών από επαφή με την κινούμενη λεπίδα.
- **Κατά τη λειτουργία του ωθούμενου χλοοκοπτικού, φοράτε πάντα μακριά παντελόνια.** Το εκτεθειμένο δέρμα αυξάνει την πιθανότητα τραυματισμού από αντικείμενα που εκτινάσσονται.
- **Μην χρησιμοποιείτε το ωθούμενο χλοοκοπτικό σε υψωτό γρασίδι. Περπατάτε, ποτέ μην τρέχετε.** Αυτό μειώνει τον κίνδυνο ολίσθησης και πτώσης, γεγονός που μπορεί να οδηγήσει σε τραυματισμό.
- **Μην χρησιμοποιείτε το ωθούμενο χλοοκοπτικό σε υπερβολικά απότομα πρανή.** Αυτό μειώνει τον κίνδυνο απώλειας ελέγχου, ολίσθησης και πτώσης, γεγονός που μπορεί να οδηγήσει σε τραυματισμό.
- **Κατά την εργασία σε πρανή, πρέπει πάντα να είστε σίγουροι πού πατάτε, να εργάζεστε πάντα κινούμενοι εγκάρσια στις επιφάνειες με κλίση, ποτέ προς τα πάνω ή προς τα κάτω, και να είστε ιδιαίτερα προσεκτικοί κατά την αλλαγή κατεύθυνσης.** Αυτό μειώνει τον κίνδυνο απώλειας ελέγχου, ολίσθησης και πτώσης, γεγονός που μπορεί να οδηγήσει σε τραυματισμό.
- **Πρέπει να είστε εξαιρετικά προσεκτικοί κατά την οπισθοπορεία ή όταν τραβάτε το ωθούμενο χλοοκοπτικό προς το μέρος σας. Να είστε πάντα προσεκτικοί με το περιβάλλον σας.** Αυτό μειώνει τον κίνδυνο παραπατήματος στη διάρκεια της λειτουργίας.
- **Μην αγγίζετε τις λεπίδες και άλλα επικίνδυνα κινούμενα μέρη ενώ βρίσκονται ακόμη σε κίνηση.** Αυτό μειώνει τον κίνδυνο τραυματισμού από κινούμενα μέρη.
- **Όταν απομακρύνετε υλικά που μπλοκάρουν τη λειτουργία ή όταν καθαρίζετε το ωθούμενο χλοοκοπτικό, βεβαιωθείτε ότι όλοι οι διακόπτες ισχύος είναι σβηστοί και ότι το καλώδιο παροχής ρεύματος είναι αποσυνδεδεμένο.** Η μη αναμενόμενη λειτουργία του ωθούμενου χλοοκοπτικού μπορεί να οδηγήσει σε σοβαρό τραυματισμό.

Διάταξη προστασίας από ρεύματα διαρροής

- Χρησιμοποιήστε μια διάταξη προστασίας από ρεύματα διαρροής με ρεύμα ενεργοποίησης το ανώτερο έως 30 mA.

Γενικές οδηγίες ασφαλείας



ΠΡΟΕΙΔΟΠΟΙΗΣΗ: Προτού χρησιμοποιήσετε το προϊόν, διαβάστε τις παρακάτω προειδοποιητικές οδηγίες.

- Αυτό το προϊόν είναι επικίνδυνο αν δεν χρησιμοποιηθεί σωστά ή αν δεν είστε προσεκτικοί. Αν δεν τηρείτε τις οδηγίες ασφαλείας, μπορεί να προκληθεί τραυματισμός ή θάνατος.
- Αυτό το προϊόν παράγει ηλεκτρομαγνητικό πεδίο κατά τη λειτουργία του. Το πεδίο αυτό, υπό ορισμένες συνθήκες, μπορεί να προκαλέσει παρεμβολές σε ενεργά ή παθητικά ιατρικά εμφυτεύματα. Για να μειωθεί ο κίνδυνος σοβαρών ή θανατηφόρων τραυματισμών, συνιστούμε στα άτομα με ιατρικά εμφυτεύματα να συμβουλευούνται το θεράποντα ιατρό τους και τον κατασκευαστή του ιατρικού εμφυτεύματος, προτού θέσουν το προϊόν σε λειτουργία.
- Πρέπει πάντα να προσέχετε και να χρησιμοποιείτε την κοινή λογική. Αν δεν είστε βέβαιοι πώς να χειριστείτε το προϊόν σε μια ιδιαίτερη κατάσταση, σταματήστε και μιλήστε με τον αντιπρόσωπο της Husqvarna προτού συνεχίσετε.
- Πρέπει να θυμάστε ότι ο χειριστής θεωρείται υπεύθυνος για ατυχήματα που μπορεί να προκληθούν σε άλλα άτομα ή στην περιουσία τους.
- Να διατηρείτε το προϊόν καθαρό. Βεβαιωθείτε ότι μπορείτε να διαβάσετε καθαρά τις ενδείξεις και τα σήματα.
- Μην επιτρέπετε ποτέ σε παιδιά ή άλλα άτομα, που δεν έχουν εξοικειωθεί με αυτές τις οδηγίες, να χρησιμοποιήσουν τη συσκευή. Οι τοπικοί κανονισμοί μπορεί να θέτουν περιορισμούς για την ηλικία του χειριστή.
- Αν το προϊόν χρησιμοποιείται από ένα άτομο με μειωμένη σωματική ή διανοητική ικανότητα, θα πρέπει πάντα να το επιβλέπετε. Πρέπει να είναι παρών ένας υπεύθυνος ενήλικας ανά πάσα στιγμή.
- Μην χρησιμοποιείτε το προϊόν, αν είστε κουρασμένοι, άρρωστοι ή υπό την επήρεια αλκοόλ, ναρκωτικών ή φαρμάκων. Αυτά έχουν αρνητικές συνέπειες στην όραση, την αυτοσυγκέντρωση, τον συντονισμό και την κρίση σας.
- Μην τροποποιείτε το προϊόν, αν είναι ελαττωματικό.
- Μην τροποποιείτε το προϊόν και μην το χρησιμοποιείτε αν είναι εμφανές ότι έχει τροποποιηθεί από άλλους.

Ασφάλεια στην εργασία



ΠΡΟΕΙΔΟΠΟΙΗΣΗ: Προτού χρησιμοποιήσετε το προϊόν, διαβάστε τις παρακάτω προειδοποιητικές οδηγίες.

- Να χρησιμοποιείτε το προϊόν μόνο για την κοπή χόρτου γκαζόν. Δεν επιτρέπεται η χρήση του για άλλες εργασίες.
- Πρέπει να χρησιμοποιείτε προσωπικό εξοπλισμό προστασίας. Ανατρέξτε στην ενότητα *Προσωπικός εξοπλισμός προστασίας στη σελίδα 123*.
- Βεβαιωθείτε ότι γνωρίζετε πώς να σταματήσετε τον κινητήρα γρήγορα σε περίπτωση έκτακτης ανάγκης.
- Μην χρησιμοποιείτε το προϊόν σε συνθήκες βροχής ή υγρασίας. Αν εισέλθει νερό στο προϊόν, αυξάνεται ο κίνδυνος ηλεκτροπληξίας.
- Μην λειτουργείτε το προϊόν αν δεν είναι σωστά συνδεδεμένη η λεπίδα και όλα τα καλύμματα. Αν η λεπίδα δεν είναι σωστά συνδεδεμένη, μπορεί να χαλαρώσει και να προκληθεί προσωπικός τραυματισμός.
- Να βεβαιώνετε ότι ο δίσκος δεν χτυπάει αντικείμενα, όπως πέτρες και ρίζες. Αυτό μπορεί να προκαλέσει ζημιά στη λεπίδα και να λυγίσει τον άξονα του κινητήρα. Ο λυγισμένος άξονας προκαλεί ισχυρή δόνηση και πολύ υψηλό κίνδυνο χαλάρωσης της λεπίδας.
- Σε περίπτωση πρόσκρουσης της λεπίδας σε αντικείμενο ή αν διαπιστώσετε κραδασμούς, διακόψτε αμέσως τη λειτουργία του προϊόντος. Σβήστε τον κινητήρα, γυρίστε το κλειδί ασφαλείας στη θέση "0" και αφαιρέστε την μπαταρία. Περιμένετε μέχρι να σταματήσουν τα κινούμενα μέρη. Ελέγξτε το προϊόν για ζημιές. Σφίξτε τα χαλαρωμένα εξαρτήματα. Επισκευάστε τις ζημιές και αντικαταστήστε τα κατεστραμμένα εξαρτήματα. Η επισκευή θα πρέπει να γίνεται από εγκεκριμένο αντιπρόσωπο σέρβις.
- Μην συνδέετε ποτέ μόνιμα τη λαβή φρένου του κινητήρα στη λαβή όταν έχει εκκινήσει ο κινητήρας.
- Τοποθετήστε το προϊόν σε μια σταθερή, επίπεδη επιφάνεια και εκκινήστε το. Να βεβαιώνετε ότι η λεπίδα δεν χτυπάει στο έδαφος ή σε άλλα αντικείμενα.
- Να παραμένετε πάντα πίσω από το προϊόν κατά τη λειτουργία.
- Κατά τη λειτουργία του προϊόντος, θα πρέπει όλοι οι τροχοί να ακουμπούν στο έδαφος και να διατηρείτε και τα 2 χέρια πάνω στη λαβή. Φροντίστε τα χέρια και τα πόδια σας να βρίσκονται μακριά από τις περιστρεφόμενες λεπίδες.
- Μην γέρνετε το προϊόν όταν εκκινείτε τον κινητήρα ή όταν το προϊόν λειτουργεί.
- Να είστε προσεκτικοί όταν τραβάτε το προϊόν προς τα πίσω.
- Μην ανασηκώνετε ποτέ το προϊόν όταν έχει εκκινήσει ο κινητήρας. Αν πρέπει να ανασηκώσετε το προϊόν,

σβήστε πρώτα τον κινητήρα, γυρίστε το κλειδί ασφαλείας στη θέση "0" και αφαιρέστε την μπαταρία.

- Μην περπατάτε προς τα πίσω όταν χρησιμοποιείτε το προϊόν.
- Σταματήστε τον κινητήρα όταν πρέπει να γείρετε το προϊόν για μεταφορά ή πριν να μετακινηθείτε σε περιοχές χωρίς χορτάρι, για παράδειγμα σε μονοπάτια από χαλίκι, πέτρα και άσφαλτο.
- Μην τρέχετε με το προϊόν όταν έχει εκκινήσει ο κινητήρας. Να περπατάτε πάντα προς τα εμπρός όταν χρησιμοποιείτε το προϊόν.
- Σβήστε τον κινητήρα προτού αλλάξετε το ύψος κοπής. Μην προβαίνετε ποτέ σε ρυθμίσεις ενώ έχει εκκινήσει ο κινητήρας.
- Μην αφήνετε ποτέ το προϊόν εκτός του οπτικού πεδίου ενώ έχει εκκινήσει ο κινητήρας. Βεβαιωθείτε ότι ο εξοπλισμός κοπής δεν περιστρέφεται, προτού σβήσετε τον κινητήρα.
- Οι δονήσεις στο προϊόν στη διάρκεια της λειτουργίας μπορεί να διαφέρουν από την αναγραφόμενη τιμή δόνησης στο *Τεχνικά στοιχεία στη σελίδα 135*. Η διαφορά οφείλεται σε διακυμάνσεις στον τρόπο χρήσης του προϊόντος. Εάν χρησιμοποιείτε το προϊόν συχνά ή για μεγάλα χρονικά διαστήματα, πρέπει να κάνετε τακτικά διαλείμματα για να αποφύγετε τραυματισμούς από δονήσεις.

Οδηγίες ασφαλείας για τη λειτουργία

Προσωπικός εξοπλισμός προστασίας



ΠΡΟΕΙΔΟΠΟΙΗΣΗ: Προτού χρησιμοποιήσετε το προϊόν, διαβάστε τις παρακάτω προειδοποιητικές οδηγίες.

- Ο προσωπικός εξοπλισμός προστασίας δεν μπορεί να εξαλείψει τον κίνδυνο τραυματισμών, ωστόσο μειώνει τη σοβαρότητά τους σε περίπτωση ατυχήματος. Ο αντιπρόσωπος θα σας βοηθήσει να επιλέξετε το σωστό εξοπλισμό.
- Να χρησιμοποιείτε αντλιοσηθικές μπότες ή παπούτσια βαρέος τύπου. Να μην χρησιμοποιείτε το προϊόν με ανοιχτά παπούτσια ή ξυπόλυτοι.
- Χρησιμοποιήστε χοντρά, μακριά παντελόνια.
- Όταν χρειάζεται, να χρησιμοποιείτε προστατευτικά γάντια, για παράδειγμα κατά την τοποθέτηση, την επιθεώρηση ή τον καθαρισμό του εξοπλισμού κοπής.
- Συνιστάται η χρήση προστατευτικών ακοής.

Συσκευές ασφαλείας στο προϊόν



ΠΡΟΕΙΔΟΠΟΙΗΣΗ: Προτού χρησιμοποιήσετε το προϊόν, διαβάστε τις παρακάτω προειδοποιητικές οδηγίες.

- Μην χρησιμοποιείτε ποτέ το προϊόν, αν υπάρχουν ελαττωματικές συσκευές ασφαλείας.
- Μην αφαιρείτε και μην τροποποιείτε τις συσκευές ασφαλείας.

- Πρέπει να κάνετε τακτικά έλεγχο των συσκευών ασφαλείας. Αν οι συσκευές ασφαλείας είναι ελαττωματικές, απευθυνθείτε στον αντιπρόσωπο σέρβις της Husqvarna.

Για τον έλεγχο του καλύμματος κοπής

Το κάλυμμα κοπής μειώνει τους κραδασμούς στο προϊόν και μειώνεται ο κίνδυνος τραυματισμού από τη λεπίδα.

- Εξετάστε το κάλυμμα κοπής για να βεβαιωθείτε ότι δεν υπάρχουν φθορές όπως ρωγμές.

Έλεγχος του κλειδιού ασφαλείας

Το κλειδί ασφαλείας βρίσκεται κάτω από το καπάκι της μπαταρίας. Το κλειδί ασφαλείας συνδέει την μπαταρία που τροφοδοτεί με ρεύμα τον κινητήρα.

- Για να ελέγξετε το κλειδί ασφαλείας, εκκινήστε και σβήστε τον κινητήρα.
- Αν το κλειδί ασφαλείας λειτουργεί σωστά, ο κινητήρας μπορεί να εκκινήσει μόνο όταν το κλειδί ασφαλείας βρίσκεται στη θέση 1. (Εικ. 24)

Έλεγχος της λαβής του φρένου του κινητήρα

Χρησιμοποιήστε τη λαβή φρένου του κινητήρα, για να σβήσετε τον κινητήρα. Εάν απελευθερώσετε τη λαβή φρένου του κινητήρα, ο κινητήρας σβήνει.

- Θέστε το προϊόν σε λειτουργία. Ανατρέξτε στην ενότητα *Εκκίνηση του προϊόντος στη σελίδα 128*.
- Απελευθερώστε τη λαβή φρένου του κινητήρα. (Εικ. 25)
- Βεβαιωθείτε ότι το προϊόν σταματά. Αν ο κινητήρας δεν σβήσει εντός 3 δευτερολέπτων, απευθυνθείτε σε έναν εγκεκριμένο αντιπρόσωπο σέρβις της Husqvarna για τη ρύθμιση του φρένου του κινητήρα.

Έλεγχος του αναστολέα εκκίνησης

Ελέγξτε τον αναστολέα εκκίνησης για να βεβαιωθείτε ότι εμποδίζει τη λειτουργία του κινητήρα.

1. Σπρώξτε τη λαβή φρένου του κινητήρα προς την κατεύθυνση της χειρολαβής. Ο αναστολέας εκκίνησης σταματά να κινείται.
2. Σπρώξτε τον αναστολέα εκκίνησης προς τα έξω. (Εικ. 26)
3. Αφήστε τον αναστολέα εκκίνησης και βεβαιωθείτε ότι επιστρέφει στην αρχική του θέση.

Ασφάλεια μπαταρίας



ΠΡΟΕΙΔΟΠΟΙΗΣΗ: Διαβάστε όλες τις οδηγίες ασφαλείας και τις γενικές οδηγίες. Η μη τήρηση των οδηγιών ασφαλείας και των γενικών οδηγιών μπορεί να προκαλέσει ηλεκτροπληξία, πυρκαγιά ή/και σοβαρό τραυματισμό. **Φυλάξτε όλες τις πληροφορίες ασφαλείας και τις γενικές οδηγίες για μελλοντική αναφορά.**

- Αυτές οι οδηγίες ασφαλείας ισχύουν μόνο για τις επαναφορτιζόμενες μπαταρίες ιόντων λιθίου 18 V για το σύστημα POWER FOR ALL.
- Η επαναφορτιζόμενη μπαταρία πρέπει να χρησιμοποιείται μόνο σε προϊόντα από τους συνεργάτες του συστήματος POWER FOR ALL. Οι επαναφορτιζόμενες μπαταρίες 18 V που φέρουν την ένδειξη POWER FOR ALL είναι πλήρως συμβατές με τα ακόλουθα προϊόντα:
 - Όλα τα προϊόντα του συστήματος μπαταριών POWER FOR ALL 18 V.
 - Όλα τα προϊόντα 18 V από τους συνεργάτες του συστήματος POWER FOR ALL.
- Πρέπει να τηρείτε τις συστάσεις για την μπαταρία που παρέχονται στο εγχειρίδιο χρήσης του προϊόντος. Μόνο με αυτόν τον τρόπο μπορεί η επαναφορτιζόμενη μπαταρία και το προϊόν να λειτουργούν χωρίς κίνδυνο και να προστατεύονται οι επαναφορτιζόμενες μπαταρίες από επικίνδυνη υπερφόρτωση.
- Πρέπει να φορτίζετε τις μπαταρίες μόνο με τους φορτιστές που συνιστώνται από τον κατασκευαστή ή από τους συνεργάτες του συστήματος POWER FOR ALL. Ένας φορτιστής που είναι κατάλληλος για έναν τύπο μπαταρίας μπορεί να δημιουργήσει κίνδυνο πυρκαγιάς εάν χρησιμοποιηθεί σε διαφορετική μπαταρία.
- Η μπαταρία παρέχεται μερικώς φορτισμένη. Για να αξιοποιήσετε την πλήρη χωρητικότητα της μπαταρίας, πρέπει να φορτίσετε την μπαταρία πλήρως με το φορτιστή προτού χρησιμοποιήσετε το ηλεκτρικό εργαλείο για πρώτη φορά.
- Να κρατάτε τις μπαταρίες μακριά από παιδιά.
- Μην ανοίγετε την μπαταρία. Υπάρχει κίνδυνος πρόκλησης βραχυκυκλώματος.
- Σε περίπτωση ζημιάς και ακατάλληλης χρήσης της μπαταρίας, ενδέχεται να εκλυθούν αναθυμιάσεις. Η μπαταρία μπορεί να πυρακτωθεί ή να εκραγεί. Βεβαιωθείτε ότι η περιοχή αερίζεται καλά και αναζητήστε ιατρική βοήθεια σε περίπτωση που αντιμετωπίσετε ανεπιθύμητες ενέργειες. Οι αναθυμιάσεις μπορεί να ερεθίσουν το αναπνευστικό σύστημα.
- Σε περίπτωση ακατάλληλης χρήσης ή ζημιάς της μπαταρίας, μπορεί να εκπιναχθεί εύλεκτο υγρό από την μπαταρία. Η επαφή με αυτό το υγρό θα πρέπει να αποφεύγεται. Σε περίπτωση ακούσιας επαφής, ξεπλύνετε με νερό. Εάν το υγρό έρθει σε επαφή με τα μάτια σας, ζητήστε επιπλέον ιατρική βοήθεια. Το υγρό που εκτοξεύεται από την μπαταρία μπορεί να προκαλέσει ερεθισμό ή εγκαύματα.
- Εάν η μπαταρία έχει υποστεί ζημιά, μπορεί να εκπιναχθεί υγρό και να καλύψει τις κοντινές επιφάνειες. Ελέγξτε τα εξαρτήματα που επηρεάζονται. Καθαρίστε αυτά τα εξαρτήματα ή, εάν χρειάζεται, αντικαταστήστε τα.
- Μην βραχυκυκλώνετε την μπαταρία. Όταν δεν χρησιμοποιείτε την μπαταρία, πρέπει να την φυλάσσετε μακριά από άλλα μεταλλικά αντικείμενα,

όπως συνδετήρες, νομίσματα, κλειδιά, καρφιά, βίδες ή άλλα μικρά μεταλλικά αντικείμενα, που μπορεί να προκαλέσουν ένωση των πόλων. Η βραχυκύκλωση των ακροδεκτών της μπαταρίας μεταξύ τους μπορεί να προκαλέσει εγκαύματα ή πυρκαγιά.

- Η μπαταρία μπορεί να υποστεί ζημιά από αιχμηρά αντικείμενα, όπως καρφιά ή κατσαβίδια ή με άσκηση δύναμης εξωτερικά. Ενδέχεται να προκύψει εσωτερικό βραχυκύκλωμα προκαλώντας καύση, καπνό, έκρηξη ή υπερθέρμανση της μπαταρίας.
- Μην εκτελείτε εργασίες σέρβρις σε κατεστραμμένες μπαταρίες. Οι εργασίες σέρβρις σε μπαταρίες θα πρέπει να εκτελούνται μόνο από τον κατασκευαστή ή από εξουσιοδοτημένα καταστήματα σέρβρις.
- Προστατέψτε την μπαταρία από τη θερμότητα, π.χ. από το συνεχές έντονο ηλιακό φως, τη φωτιά, τη βρομιά, το νερό και την υγρασία. Υπάρχει κίνδυνος έκρηξης και βραχυκυκλώματος.
- Η μπαταρία πρέπει να χρησιμοποιείται στο προϊόν μόνο όταν η θερμοκρασία περιβάλλοντος είναι μεταξύ 0 °C – +40 °C.
- Η μπαταρία πρέπει να αποθηκεύεται μόνο σε θερμοκρασίες περιβάλλοντος μεταξύ -20 °C – +50 °C. Για παράδειγμα, μην αφήνετε την μπαταρία μέσα στο αυτοκίνητό σας το καλοκαίρι. Σε θερμοκρασίες < 0 °C, ορισμένες συσκευές μπορεί να αντιμετωπίσουν απώλεια ισχύος.
- Η μπαταρία πρέπει να φορτίζεται σε θερμοκρασίες περιβάλλοντος μεταξύ 0 °C – +35 °C. Η μπαταρία πρέπει να φορτίζεται μόνο με καλώδιο USB σε θερμοκρασίες περιβάλλοντος μεταξύ +10 °C – +35 °C. Η φόρτιση εκτός αυτού του εύρους θερμοκρασιών μπορεί να αυξήσει τον κίνδυνο ζημιάς στην μπαταρία και να δημιουργήσει κίνδυνο πυρκαγιάς.

Ασφάλεια φορτιστή μπαταρίας



ΠΡΟΕΙΔΟΠΟΙΗΣΗ: Διαβάστε όλες τις οδηγίες ασφαλείας και τις γενικές οδηγίες. Η μη τήρηση των οδηγιών ασφαλείας και των γενικών οδηγιών μπορεί να προκαλέσει ηλεκτροπληξία, πυρκαγιά ή/και σοβαρό τραυματισμό. Αποθηκεύστε αυτές τις οδηγίες σε ασφαλές μέρος. Χρησιμοποιείτε τον φορτιστή μόνο εάν μπορείτε να αξιολογήσετε πλήρως όλες τις λειτουργίες και να τις εκτελέσετε χωρίς περιορισμούς ή εάν έχετε λάβει τις αντίστοιχες οδηγίες.

- Αυτός ο φορτιστής δεν προορίζεται για χρήση από παιδιά ή άτομα με φυσικούς, αισθητηριακούς ή διανοητικούς περιορισμούς ή έλλειψη εμπειρίας ή τεχνογνωσίας. Αυτός ο φορτιστής μπορεί να χρησιμοποιηθεί από παιδιά 8 ετών και άνω, καθώς και από άτομα με φυσικούς, αισθητηριακούς ή διανοητικούς περιορισμούς ή έλλειψη εμπειρίας ή τεχνογνωσίας εάν ένα άτομο υπεύθυνο για την ασφάλειά τους τα επιβλέπει ή έχει δώσει σχετικές οδηγίες για την ασφαλή λειτουργία του φορτιστή και κατανοεί τους σχετικούς κινδύνους. Διαφορετικά,

υπάρχει κίνδυνος σφαλμάτων και τραυματισμών κατά τον χειρισμό.

- Να επιβλέπετε τα παιδιά κατά τη διάρκεια της χρήσης, του καθαρισμού και της συντήρησης του προϊόντος. Έτσι θα βεβαιωθείτε ότι τα παιδιά δεν θα παίζουν με τον φορτιστή.
- Φορτίζετε μόνο μπαταρίες συστήματος POWER FOR ALL 18V με χωρητικότητα 1,5 Ah. Η τάση μπαταρίας πρέπει να συμφωνεί με την τάση φόρτισης της μπαταρίας του φορτιστή. Μην φορτίζετε τις μη επαναφορτιζόμενες μπαταρίες. Διαφορετικά, υπάρχει κίνδυνος πυρκαγιάς και έκρηξης.
- Χρησιμοποιείτε τον φορτιστή μόνο σε κλειστούς χώρους και μην τον εκθέτετε σε υγρές συνθήκες. Σε περίπτωση εισχώρησης νερού σε ηλεκτρικό εργαλείο, αυξάνεται ο κίνδυνος ηλεκτροπληξίας.
- Να διατηρείτε τον φορτιστή καθαρό. Η βρομιά μπορεί να προκαλέσει ηλεκτροπληξία.
- Να ελέγχετε πάντα τον φορτιστή, το καλώδιο και το βύσμα πριν από τη χρήση. Σταματήστε τη χρήση του φορτιστή εάν διαπιστώσετε οποιαδήποτε ζημιά. Μην ανοίγετε μόνοι σας τον φορτιστή και αναθέστε την επεξεύση του μόνο στην Husqvarna ή σε εξουσιοδοτημένο κέντρο σέρβρις χρησιμοποιώντας μόνο γνήσια ανταλλακτικά. Αν οι φορτιστές, τα καλώδια και τα βύσματα υποστούν ζημιά, αυξάνεται ο κίνδυνος ηλεκτροπληξίας.
- Μην χρησιμοποιείτε τον φορτιστή σε επιφάνειες που αναφλέγονται εύκολα (π.χ. χαρτί, υφάσματα κ.λπ.) ή σε εύφλεκτο περιβάλλον. Υπάρχει κίνδυνος πυρκαγιάς λόγω της θέρμανσης του φορτιστή κατά τη λειτουργία.
- Μην καλύπτετε τις οπές εξαερισμού του φορτιστή. Διαφορετικά, ο φορτιστής μπορεί να υπερθερμανθεί και να μην λειτουργεί πλέον σωστά.
- Να επαναφορτίζετε μόνο με το φορτιστή που ορίζεται από τον κατασκευαστή. Ένας φορτιστής κατάλληλος για έναν τύπο συστοιχίας μπαταριών μπορεί να δημιουργήσει κίνδυνο φωτιάς κατά τη χρήση με άλλη συστοιχία μπαταριών.
- Σε περίπτωση ζημιάς και ακατάλληλης χρήσης της μπαταρίας, ενδέχεται επίσης να εκλυθούν αναθυμιάσεις. Βεβαιωθείτε ότι η περιοχή αερίζεται καλά και αναζητήστε ιατρική βοήθεια σε περίπτωση που αντιμετωπίσετε ανεπιθύμητες ενέργειες. Οι αναθυμιάσεις μπορεί να ερεθίσουν το αναπνευστικό σύστημα.
- Σε συνθήκες κακής χρήσης, μπορεί να εκπνεασθεί υγρό από τη μπαταρία. Η επαφή με αυτό το υγρό θα πρέπει να αποφεύγεται. Σε περίπτωση ακούσιας επαφής, ξεπλύνετε με νερό. Εάν το υγρό έρθει σε επαφή με τα μάτια σας, ζητήστε επιπλέον ιατρική βοήθεια. Το υγρό που εκτοξεύεται από την μπαταρία μπορεί να προκαλέσει ερεθισμό ή εγκαύματα.
- Προϊόντα που πωλούνται μόνο στο ΗΒ: Το προϊόν σας διαθέτει ενεργητικό ηλεκτρικό βύσμα BS 1363/A με εσωτερική ασφάλεια (ASTA εγκεκριμένο κατά BS 1362). Αν το βύσμα δεν είναι κατάλληλο για τις πρίζες σας, θα πρέπει να κοπεί και να τοποθετηθεί στη θέση του ένα κατάλληλο

βύσμα από έναν εξουσιοδοτημένο αντιπρόσωπο σέρβις. Το ανταλλακτικό βύσμα πρέπει να έχει ασφάλεια με την ίδια ονομαστική τιμή που έχει το εργοστασιακό βύσμα. Το κομμένο βύσμα πρέπει να απορρίπτεται για να αποφευχθεί ενδεχόμενος κίνδυνος ηλεκτροπληξίας και δεν πρέπει ποτέ να τοποθετείται σε πρίζα τοίχου σε άλλο σημείο.

Οδηγίες ασφαλείας για τη συντήρηση



ΠΡΟΕΙΔΟΠΟΙΗΣΗ: Προτού χρησιμοποιήσετε το προϊόν, διαβάστε τις παρακάτω προειδοποιητικές οδηγίες.

- Για την αποφυγή ακούσιας εκκίνησης κατά τις εργασίες συντήρησης, γυρίστε το κλειδί ασφαλείας στη θέση "0" και αφαιρέστε την μπαταρία. Περιμένετε τουλάχιστον για 5 δευτερόλεπτα προτού ξεκινήσετε τις εργασίες συντήρησης.
- Να πραγματοποιείτε μόνο τις εργασίες συντήρησης που περιλαμβάνονται στο παρόν εγχειρίδιο χρήσης. Οι εκτεταμένες εργασίες και οι επαγγελματικές επισκευές πρέπει να εκτελούνται από εγκεκριμένο αντιπρόσωπο σέρβις. Επικοινωνήστε με τον πλησιέστερο αντιπρόσωπο σέρβις για περισσότερες πληροφορίες.
- Να εκτελείτε σωστά τις εργασίες συντήρησης για να αυξήσετε τη διάρκεια ζωής του προϊόντος και να μειώσετε τον κίνδυνο ατυχημάτων.

- Φροντίστε να αντικαθιστάτε τυχόν κατεστραμμένα, φθαρμένα ή σπασμένα εξαρτήματα. Να χρησιμοποιείτε πάντα γνήσια ανταλλακτικά από τον κατασκευαστή. Άλλα ανταλλακτικά μπορεί να προκαλέσουν ζημιά στο προϊόν και να αυξήσουν τον κίνδυνο ατυχημάτων.
- Για την αποφυγή τραυματισμών, μην αφαιρείτε και μην τροποποιείτε τις συσκευές ασφαλείας.
- Φοράτε ανθεκτικά γάντια όταν χρησιμοποιείτε τον εξοπλισμό κοπής. Η λεπίδα είναι πολύ κοφτερή και μπορεί εύκολα να κοπείτε.
- Διατηρείτε την κοπτική ακμή αιχμηρή και καθαρή για καλύτερη απόδοση και μεγαλύτερη ασφάλεια.
- Να αναθέτετε στον αντιπρόσωπο σέρβις να ελέγχει συχνά το προϊόν και να κάνει τις απαραίτητες ρυθμίσεις και επισκευές.
- Τηρείτε τις οδηγίες για την αλλαγή των αξεσουάρ. Χρησιμοποιήστε μόνο αξεσουάρ του κατασκευαστή.
- Αποθηκεύετε το προϊόν, την μπαταρία και τον φορητή μπαταρίας ξεχωριστά σε κλειδωμένο εσωτερικό χώρο χωρίς υγρασία, όταν δεν τα χρησιμοποιείτε. Βεβαιωθείτε ότι τα παιδιά και τα μη εξουσιοδοτημένα άτομα δεν έχουν πρόσβαση στο προϊόν, την μπαταρία ή τον φορητή μπαταρίας.

Συναρμολόγηση

Εισαγωγή



ΠΡΟΕΙΔΟΠΟΙΗΣΗ: Πριν συναρμολογήσετε το προϊόν, διαβάστε το κεφάλαιο για την ασφάλεια.



ΠΡΟΕΙΔΟΠΟΙΗΣΗ: Για την αποφυγή ακούσιας εκκίνησης κατά τη συναρμολόγηση, γυρίστε το κλειδί ασφαλείας στη θέση "0", αφαιρέστε την μπαταρία και περιμένετε τουλάχιστον για 5 δευτερόλεπτα.

Ρύθμιση ύψους της λαβής

Το προϊόν έχει ελεύθερο εύρος ρύθμισης του ύψους της λαβής. Το ύψος της λαβής μπορεί να ρυθμιστεί κατάλληλα μεταξύ 2 σημείων.

1. Βάλτε το προϊόν στη θέση λειτουργίας. Ανατρέξτε στην ενότητα *Τοποθέτηση του προϊόντος στη θέση λειτουργίας στη σελίδα 127*.
2. Γυρίστε προς τα αριστερά τις χειρόβιδες ασφάλισης στα δύο τμήματα της λαβής. (Εικ. 27)
3. Τραβήξτε τα τμήματα της λαβής στην κατάλληλη θέση.

4. Τοποθετήστε τα 2 τμήματα της λαβής στο ίδιο ύψος.



ΠΡΟΣΟΧΗ: Εάν τα τμήματα της λαβής δεν είναι στο ίδιο ύψος, το προϊόν θα υποστεί ζημιά.

5. Γυρίστε προς τα δεξιά τις χειρόβιδες ασφάλισης στα δύο τμήματα της λαβής.
6. Σφίξτε πλήρως τις χειρόβιδες ασφάλισης.

Τοποθέτηση του συλλέκτη χόρτου

1. Ανασηκώστε το πίσω κάλυμμα.
2. Αφαιρέστε το πώμα χορτολιπάσματος.
3. Συνδέστε τον συλλέκτη χόρτου στο επάνω άκρο του σασί.
4. Τοποθετήστε το κάτω τμήμα του συλλέκτη χόρτου πάνω στο κανάλι εκτόξευσης γρασιδιού. (Εικ. 28)



ΠΡΟΣΟΧΗ: Βεβαιωθείτε ότι ο συλλέκτης χόρτου έχει σφραγιστεί σωστά στο σασί του προϊόντος.

Τοποθέτηση του πώματος χορτολιπάσματος

1. Ανασηκώστε το πώμα κάλυμμα και αφαιρέστε τον συλλέκτη χόρτου.
2. Σπρώξτε το πώμα χορτολιπάσματος μέσα στο κανάλι εκτόξευσης μέχρι να ακούσετε ένα κλικ. (Εικ. 29)

Τοποθέτηση του άγκιστρου στον τοίχο

- Τοποθετήστε το άγκιστρο σε εσωτερικό χώρο.
- Κρατήστε το άγκιστρο μακριά από το ηλιακό φως και σε θερμοκρασία περιβάλλοντος από -10 °C έως +70 °C.
- Τοποθετήστε το άγκιστρο σε γυψοσανίδα, ξύλο ή τσιμεντένιο τοίχο.



ΠΡΟΣΟΧΗ: Βεβαιωθείτε ότι ο τοίχος μπορεί να αντέξει φορτία τουλάχιστον 30 kg.

- Τοποθετήστε το άγκιστρο στον τοίχο με 3 βίδες (Α). Αν χρειάζεται, χρησιμοποιήστε βύσματα τοίχου (Β). (Εικ. 30)



ΠΡΟΣΟΧΗ: Βεβαιωθείτε ότι οι βίδες είναι κατάλληλες για τον τύπο του τοίχου σας.

- Επικοινωνήστε με τον αντιπρόσωπο σέρβις της Husqvarna για πληροφορίες σχετικά με τα διαθέσιμα αξεσουάρ αποθήκευσης για το προϊόν σας.

Λειτουργία

Εισαγωγή



ΠΡΟΕΙΔΟΠΟΙΗΣΗ: Προτού χρησιμοποιήσετε το προϊόν, πρέπει να διαβάσετε και να κατανοήσετε το κεφάλαιο για την ασφάλεια.

Husqvarna Connect

Η Husqvarna Connect είναι μια δωρεάν εφαρμογή για τη φορητή συσκευή σας. Η εφαρμογή Husqvarna Connect παρέχει εκτεταμένες λειτουργίες για το προϊόν σας Husqvarna:

- Περισσότερες πληροφορίες για το προϊόν.
- Πληροφορίες και βοήθεια για τα ανταλλακτικά και το σέρβις του προϊόντος.

Εκκίνηση χρήσης του Husqvarna Connect

1. Κατεβάστε την εφαρμογή Husqvarna Connect στη φορητή συσκευή σας.
2. Εγγραφείτε στην εφαρμογή Husqvarna Connect.
3. Ακολουθήστε τα βήματα των οδηγιών που θα βρείτε στην εφαρμογή Husqvarna Connect για να συνδέσετε και να καταχωρήσετε το προϊόν.

Περιεχόμενα Η εφαρμογή Husqvarna Connect δεν είναι διαθέσιμη για λήψη σε όλες τις αγορές. Απευθυνθείτε στον αντιπρόσωπο σέρβις για περισσότερες πληροφορίες.

Τοποθέτηση του προϊόντος στη θέση λειτουργίας

1. Γυρίστε τις χειρόβιδες της λαβής στη θέση απασφάλισης. (Εικ. 31)
2. Διπλώστε τη λαβή προς τα πάνω μέχρι να ακούσετε ένα κλικ. (Εικ. 32)



ΠΡΟΣΟΧΗ: Βεβαιωθείτε ότι οι ντίζες δεν είναι πολύ τενωμένες. Σε περίπτωση πολύ υψηλής μηχανικής τάσης, μπορεί να προκληθεί ζημιά στην ντίζα, εάν διπλωθεί η λαβή στη θέση μεταφοράς.



ΠΡΟΕΙΔΟΠΟΙΗΣΗ: Βεβαιωθείτε ότι η λαβή έχει διπλώσει τελείως προς τα πάνω και βρίσκεται στη θέση ασφάλισης.

3. Προσαρμόστε το ύψος της λαβής. Ανατρέξτε στην ενότητα *Ρύθμιση ύψους της λαβής στη σελίδα 126*.

Ρύθμιση του ύψους κοπής

1. Μετακινήστε τον μοχλό ύψους κοπής προς τα πίσω για να αυξήσετε το ύψος κοπής.
2. Μετακινήστε τον μοχλό ύψους κοπής προς τα εμπρός για να μειώσετε το ύψος κοπής. (Εικ. 33)



ΠΡΟΣΟΧΗ: Μην ρυθμίζετε το ύψος κοπής πολύ χαμηλά. Οι λεπίδες μπορεί να χτυπήσουν στο έδαφος αν η επιφάνεια του χλοοτάπητα δεν είναι επίπεδη.

Μπαταρία



ΠΡΟΕΙΔΟΠΟΙΗΣΗ: Προτού χρησιμοποιήσετε την μπαταρία, πρέπει να διαβάσετε και να κατανοήσετε το κεφάλαιο σχετικά με την ασφάλεια. Πρέπει επίσης να διαβάσετε και να κατανοήσετε το εγχειρίδιο χρήσης για την μπαταρία και τον φορτιστή της μπαταρίας.

Διατηρείτε την μπαταρία και τον φορτιστή μπαταρίας στις σωστές θερμοκρασίες περιβάλλοντος.

| | Θερμοκρασία περιβάλλοντος |
|-------------------------------------|---------------------------|
| Λειτουργία της μπαταρίας στο προϊόν | 0 °C – +40 °C |
| Φόρτιση μπαταρίας | 0 °C – +35 °C |

Φόρτιση της μπαταρίας

Φορτίστε την μπαταρία πριν από την πρώτη χρήση.

Περιεχόμενα Η διαδικασία φόρτισης είναι δυνατή μόνο όταν η θερμοκρασία της μπαταρίας βρίσκεται εντός του επιτρεπτού εύρους θερμοκρασίας φόρτισης (0–45 °C).

1. Συνδέστε το καλώδιο ρεύματος του φορτιστή μπαταρίας σε γειωμένο δίκτυο.



ΠΡΟΣΟΧΗ: Βεβαιωθείτε ότι το δίκτυο έχει σωστή τάση και συχνότητα.

2. Τοποθετήστε την μπαταρία στο φορτιστή μπαταρίας. Η μπαταρία είναι συνδεδεμένη στον φορτιστή όταν η πράσινη λυχνία LED αναβοσβήνει. (Εικ. 34)
3. Η μπαταρία είναι πλήρως φορτισμένη όταν η πράσινη λυχνία LED στον φορτιστή είναι αναμμένη. Ο μέγιστος χρόνος φόρτισης της μπαταρίας δεν θα πρέπει να υπερβαίνει τις 24 ώρες.
4. Αποσυνδέστε τον φορτιστή μπαταρίας από την πρίζα.



ΠΡΟΣΟΧΗ: Μην τραβάτε το καλώδιο.

5. Αφαιρέστε την μπαταρία από το φορτιστή.

Λυχνία LED κατάστασης μπαταρίας στον φορτιστή μπαταρίας

Η κόκκινη λυχνία LED (A) και η πράσινη λυχνία LED (B) στον φορτιστή μπαταρίας υποδεικνύουν την κατάσταση της μπαταρίας. Ανατρέξτε στην ενότητα *Αντιμετώπιση προβλημάτων φορτιστή μπαταρίας στη σελίδα 131*.

(Εικ. 35)

| Λυχνία LED | Κατάσταση μπαταρίας |
|---|---------------------------------------|
| Η πράσινη λυχνία LED αναβοσβήνει γρήγορα. | Η μπαταρία φορτίζεται. |
| Η πράσινη λυχνία LED αναβοσβήνει αργά. | Η μπαταρία είναι φορτισμένη κατά 80%. |
| Η πράσινη λυχνία LED είναι αναμμένη. | Η μπαταρία είναι πλήρως φορτισμένη. |

| Λυχνία LED | Κατάσταση μπαταρίας |
|---|--|
| Η κόκκινη λυχνία LED είναι αναμμένη. | Ανατρέξτε στην ενότητα <i>Αντιμετώπιση προβλημάτων φορτιστή μπαταρίας στη σελίδα 131</i> . |
| Η κόκκινη λυχνία LED αναβοσβήνει γρήγορα. | Ανατρέξτε στην ενότητα <i>Αντιμετώπιση προβλημάτων φορτιστή μπαταρίας στη σελίδα 131</i> . |

Λυχνία LED κατάστασης μπαταρίας στο προϊόν

Όταν η μπαταρία είναι τοποθετημένη στο προϊόν, οι λυχνίες LED στο προϊόν υποδεικνύουν την κατάσταση της μπαταρίας.

(Εικ. 36)

| Λυχνία LED | Κατάσταση μπαταρίας |
|--|--|
| Οι λυχνίες LED 1, 2 και 3 είναι αναμμένες. | Πλήρως φορτισμένη. |
| Οι λυχνίες LED 1 και 2 είναι αναμμένες. | Επαρκώς φορτισμένη |
| Η λυχνία LED 1 είναι αναμμένη. | Η στάθμη ισχύος της μπαταρίας είναι χαμηλή. |
| Η λυχνία LED 1 αναβοσβήνει. | Η μπαταρία είναι άδεια. Η λυχνία κατάστασης της μπαταρίας αναβοσβήνει. Φορτίστε την μπαταρία. Ανατρέξτε στην ενότητα <i>Φόρτιση της μπαταρίας στη σελίδα 128</i> . |

Εκκίνηση του προϊόντος

1. Ανοίξτε το καπάκι της μπαταρίας.
2. Τοποθετήστε μία φορτισμένη μπαταρία στη θήκη της μπαταρίας.
3. Γυρίστε το κλειδί ασφαλείας στη θέση "1". (Εικ. 37)
4. Παραμείνετε πίσω από το προϊόν.
5. Χαλαρώστε τον αναστολέα εκκίνησης. (Εικ. 26)
6. Σπρώξτε τη λαβή του φρένου του μοτέρ προς την κατεύθυνση της χειρολαβής. (Εικ. 38)

Λειτουργία υψηλού φορτίου

Οι σ.α.λ. του κινητήρα αυξάνονται αυτόματα, όταν το προϊόν κόβει μακρύ ή υψηλό χορτάρι. Ο κινητήρας επιστρέφει σε κανονική λειτουργία όταν δεν απαιτείται υψηλό φορτίο.

Σβήσιμο του μοτέρ

Στη διάρκεια της λειτουργίας, η λεπίδα και το μοτέρ μπορεί να σταματήσουν προσωρινά, λόγω εμποδίων

όπως το μπλοκάρισμα του χορταριού κάτω από το κάλυμμα κοπής. Ανατρέξτε στην ενότητα *Καθαρισμός του προϊόντος στη σελίδα 130*.



ΠΡΟΕΙΔΟΠΟΙΗΣΗ: Πριν από τον έλεγχο του καλύμματος κοπής, αφήστε τη λαβή του φρένου του μοτέρ, γυρίστε το κλειδί ασφαλείας στη θέση 0, αφαιρέστε την μπαταρία και περιμένετε τουλάχιστον 5 δευτερόλεπτα. Υπάρχει κίνδυνος τραυματισμού σε περίπτωση αφαίρεσης του εμποδίου και της τυχασίας εκκίνησης του προϊόντος.

Διακοπή λειτουργίας του προϊόντος



ΠΡΟΕΙΔΟΠΟΙΗΣΗ: Γυρίστε το κλειδί ασφαλείας στη θέση "0" προτού αφήσετε το προϊόν εκτός του οπτικού σας πεδίου.

1. Αφήστε τη λαβή του φρένου του μοτέρ για να σβήσετε τον κινητήρα. (Εικ. 39)
2. Ανοίξτε το καπάκι της μπαταρίας και γυρίστε το κλειδί ασφαλείας στη θέση "0". (Εικ. 40)
3. Για να αφαιρέσετε την μπαταρία, πατήστε το κουμπί απασφάλισης και τραβήξτε την μπαταρία προς τα έξω. (Εικ. 41)

4. Φορτίστε την μπαταρία, αν η στάθμη φόρτισης είναι πολύ χαμηλή. Για περισσότερες πληροφορίες, ανατρέξτε στην ενότητα *Φόρτιση της μπαταρίας στη σελίδα 128*.

Για ένα καλό αποτέλεσμα

- Να χρησιμοποιείτε πάντα μια ακονισμένη λεπίδα. Η στομωμένη λεπίδα δίνει ένα ακανόνιστο αποτέλεσμα και η επικάλυψη κοπής του γρασιδιού γίνεται κίτρινη. Επίσης, η ακονισμένη λεπίδα χρησιμοποιεί λιγότερη ενέργεια από μια στομωμένη λεπίδα.
- Να μην κόβετε ποτέ πάνω από το 1/2 του μήκους του γρασιδιού. Να κόβετε πρώτα με το ύψος κοπής ρυθμισμένο σε υψηλό. Εξετάστε το αποτέλεσμα και χαμηλώστε το ύψος κοπής σε κατάλληλο επίπεδο. Αν το γρασίδι είναι πολύ μακρύ, οδηγήστε αργά και κόψτε 2 φορές, αν είναι απαραίτητο.
- Να κόβετε κάθε φορά σε διαφορετικές κατευθύνσεις για να αποφεύγετε τις ρίγες στο γκαζόν.
- Διατηρείτε το κάλυμμα κοπής καθαρό. Η συσσώρευση γρασιδιού και ακαθαρσιών στην εσωτερική πλευρά του καλύμματος κοπής μπορεί να μειώσει το αποτέλεσμα κοπής. Ανατρέξτε στην ενότητα *Καθαρισμός του προϊόντος στη σελίδα 130*.

Συντήρηση

Εισαγωγή



ΠΡΟΕΙΔΟΠΟΙΗΣΗ: Προτού εκτελέσετε εργασίες συντήρησης, πρέπει να διαβάσετε και να κατανοήσετε το κεφάλαιο για την ασφάλεια.

Για όλες τις εργασίες συντήρησης και επισκευής στο προϊόν, είναι απαραίτητη ειδική εκπαίδευση. Μπορούμε να εγγυηθούμε για τη διαθεσιμότητα των επαγγελματικών επισκευών και τη συντήρηση. Αν ο αντιπρόσωπός σας δεν είναι αντιπρόσωπος σέρβις,

μιλήστε του για πληροφορίες σχετικά με τον πλησιέστερο αντιπρόσωπο σέρβις.

Για λεπτομερέστερες πληροφορίες, ανατρέξτε στη σελίδα www.husqvarna.com.

Πρόγραμμα συντήρησης

Τα διαστήματα συντήρησης υπολογίζονται με βάση την καθημερινή χρήση του προϊόντος. Τα διαστήματα αλλάζουν αν το προϊόν δεν χρησιμοποιείται καθημερινά.

Για τις εργασίες συντήρησης που επισημαίνονται με *, βλ. οδηγίες στην ενότητα *Ασφάλεια στη σελίδα 119*.

| | Σε κάθε χρήση | Κάθε μήνα | Σε κάθε σεζόν |
|---|---------------|-----------|---------------|
| Πραγματοποιήστε γενική επιθεώρηση. | X | | |
| Καθαρίστε το προϊόν. | X | | |
| Ελέγξτε τον αναστολέα εκκίνησης. * | X | | |
| Βεβαιωθείτε ότι οι συσκευές ασφαλείας στο προϊόν δεν είναι ελαττωματικές. * | X | | |
| Έλεγχος του εξοπλισμού κοπής. | X | | |
| Ελέγξτε το κάλυμμα κοπής. * | X | | |

| | Σε κάθε χρήση | Κάθε μήνα | Σε κάθε σεζόν |
|---|---------------|-----------|---------------|
| Ελέγξτε τη λαβή του φρένου του μοτέρ. * | X | | |
| Ελέγξτε την μπαταρία για ζημιά. | X | | |
| Έλεγχος της φόρτισης της μπαταρίας. | X | | |
| Ελέγξτε για τη σωστή λειτουργία του κουμπιού απασφάλισης της μπαταρίας και για την ασφάλιση της μπαταρίας μέσα στο προϊόν. | X | | |
| Ελέγξτε τον φορτιστή μπαταρίας για τυχόν ζημιές και βεβαιωθείτε ότι λειτουργεί σωστά. | | X | |
| Ελέγξτε τις συνδέσεις μεταξύ της μπαταρίας και του προϊόντος. Επιπλέον, ελέγξτε τη σύνδεση μεταξύ της μπαταρίας και του φορτιστή μπαταρίας. | | | X |

Εκτέλεση γενικής επιθεώρησης

- Βεβαιωθείτε ότι τα παζιμάδια και οι βίδες πάνω στο προϊόν είναι σφιγμένα.
- Βεβαιωθείτε ότι τα καλώδια στο προϊόν δεν βρίσκονται σε σημείο όπου μπορούν να υποστούν ζημιά.

Καθαρισμός του προϊόντος

- Καθαρίζετε τα πλαστικά εξαρτήματα με καθαρό και στεγνό πανί.
- Μην χρησιμοποιείτε νερό για να καθαρίσετε το προϊόν. Το νερό μπορεί να εισχωρήσει στην μπαταρία ή στον κινητήρα και να προκαλέσει βραχυκύκλωμα ή ζημιά στο προϊόν.
- Μην χρησιμοποιείτε σύστημα πλύσης με υψηλή πίεση για να καθαρίσετε το προϊόν.
- Μην ρίχνετε νερό απευθείας επάνω στον κινητήρα.
- Χρησιμοποιήστε μια βούρτσα για να αφαιρέσετε φύλλα, γρασίδι και ακαθαρσίες.

Καθαρισμός της μπαταρίας και του φορτιστή μπαταρίας



ΠΡΟΕΙΔΟΠΟΙΗΣΗ: Μην καθαρίζετε την μπαταρία ή τον φορτιστή μπαταρίας με νερό.



ΠΡΟΕΙΔΟΠΟΙΗΣΗ: Μην χρησιμοποιείτε χημικές ουσίες για τον καθαρισμό της μπαταρίας.

- Βεβαιωθείτε ότι η μπαταρία και ο φορτιστής είναι καθαροί και στεγνοί προτού τοποθετήσετε την μπαταρία στον φορτιστή.
- Καθαρίστε τους πόλους της μπαταρίας με πετρελασμένο αέρα ή χρησιμοποιήστε μαλακό και στεγνό πανί.
- Καθαρίστε τις επιφάνειες της μπαταρίας και του φορτιστή της μπαταρίας με μαλακό και στεγνό πανί.

Έλεγχος εξοπλισμού κοπής



ΠΡΟΕΙΔΟΠΟΙΗΣΗ: Για την αποφυγή ακούσιας εκκίνησης, γυρίστε το κλειδί ασφαλείας στη θέση "0", αφαιρέστε την μπαταρία και περιμένετε τουλάχιστον για 5 δευτερόλεπτα.



ΠΡΟΕΙΔΟΠΟΙΗΣΗ: Να χρησιμοποιείτε προστατευτικά γάντια όταν κάνετε συντήρηση του εξοπλισμού κοπής. Η λεπίδα είναι πολύ κοφτερή και μπορεί εύκολα να κοπείτε.

1. Ελέγξτε τον εξοπλισμό κοπής για ζημιές ή ρωγμές. Πρέπει πάντα να αντικαθιστάτε τον εξοπλισμό κοπής, αν έχει υποστεί ζημιά.
2. Κοιτάξτε τη λεπίδα για να δείτε εάν είναι φθαρμένη ή στομαυμένη.

Περιεχόμενα Είναι απαραίτητο να ζυγοσταθμίσει η λεπίδα μετά το ακόνισμα. Να αναθέτετε το ακόνισμα, την αντικατάσταση και τη ζυγοστάμιση της λεπίδας σε ένα κέντρο σέρβις. Αν χτυπήσετε κάποιο εμπόδιο και σταματήσετε το προϊόν, αντικαταστήστε τη φθαρμένη λεπίδα. Το κέντρο σέρβις θα αξιολογήσει αν η λεπίδα μπορεί να ακονιστεί ή πρέπει να αντικατασταθεί.

Αντικατάσταση της λεπίδας

Ανατρέξτε στην ενότητα *Τεχνικά στοιχεία στη σελίδα 135* για τον σωστό τύπο λεπίδας.



ΠΡΟΕΙΔΟΠΟΙΗΣΗ: Ασφαλίστε τη λεπίδα με ένα κομμάτι ξύλο για να αποφύγετε τον τραυματισμό των δαχτύλων σας κατά την αντικατάσταση της λεπίδας. Η λεπίδα μπορεί να μετακινηθεί όταν το μοτέρ είναι σβηστό και τα δάχτυλά σας μπορεί να παγιδευτούν ανάμεσα στη λεπίδα και τα μη κινούμενα εξαρτήματα.

1. Ασφαλίστε τη λεπίδα με έναν ξύλινο τάκο. (Εικ. 42)
2. Αφαιρέστε τη βίδα της λεπίδας.
3. Αφαιρέστε τη λεπίδα.
4. Εξετάστε την υποστήριξη και τη βίδα της λεπίδας για να δείτε εάν υπάρχουν φθορές.
5. Βεβαιωθείτε ότι ο άξονας του μοτέρ δεν είναι λυγισμένος.
6. Όταν συνδέετε μια καινούργια λεπίδα, στρέψτε τα άκρα της λεπίδας που σχηματίζουν γωνία προς την κατεύθυνση του καλύμματος κοπής. (Εικ. 43)
7. Βεβαιωθείτε ότι η λεπίδα είναι ευθυγραμμισμένη με το κέντρο του άξονα του μοτέρ.
8. Ασφαλίστε τη λεπίδα με έναν ξύλινο τάκο. Τοποθετήστε τη ροδέλα του ελατηρίου και σφίξτε τη βίδα και τη ροδέλα με ροπή 23-28 Nm. (Εικ. 44)
9. Περιστρέψτε τη λάμα με το χέρι και βεβαιωθείτε ότι μπορεί να περιστραφεί χωρίς προβλήματα.



ΠΡΟΕΙΔΟΠΟΙΗΣΗ:

Χρησιμοποιείτε γάντια βαρέος τύπου. Η λεπίδα είναι πολύ κοφτερή και μπορεί εύκολα να κοπείτε.

10. Εκκινήστε το προϊόν για να δοκιμάσετε τη λεπίδα. Αν η λεπίδα δεν είναι σωστά συνδεδεμένη, θα υπάρχουν κραδασμοί στο προϊόν ή το αποτέλεσμα κοπής δεν θα είναι ικανοποιητικό.

Αντιμετώπιση προβλημάτων

Αντιμετώπιση προβλημάτων φορτιστή μπαταρίας

| Λυχνία LED στον φορτιστή της μπαταρίας | Αιτία | Λύση |
|--|--|---|
| Η πράσινη λυχνία LED είναι αναμμένη και η κόκκινη λυχνία LED αναβοσβήνει. | Η μπαταρία δεν έχει τοποθετηθεί σωστά στον φορτιστή μπαταρίας. | Αφαιρέστε την μπαταρία από τον φορτιστή και, στη συνέχεια, επανατοποθετήστε την. |
| | Οι σύνδεσμοι μπαταρίας είναι βρώμικοι. | Καθαρίστε τους συνδέσμους της μπαταρίας. |
| | Ο φορτιστής εντόπισε εσωτερικό σφάλμα. | Βεβαιωθείτε ότι όλες οι μπαταρίες έχουν τοποθετηθεί πλήρως. Αφαιρέστε το φινιρίσμα και τοποθετήστε το ξανά. Εάν το σφάλμα εμφανιστεί ξανά, απευθυνθείτε σε ένα εξουσιοδοτημένο κέντρο σέρβις για τα προϊόντα Husqvarna. |
| | Η μπαταρία είναι ελαττωματική. | Αντικαταστήστε την μπαταρία. |
| Η κόκκινη λυχνία LED είναι αναμμένη και η πράσινη λυχνία LED είναι σβηστή. | Η θερμοκρασία της μπαταρίας είναι εκτός του εύρους φόρτισης. | Περιμένετε μέχρι η θερμοκρασία της μπαταρίας να επανέλθει εντός του επιτρεπτού εύρους θερμοκρασίας φόρτισης (0-45°C). |
| Η πράσινη λυχνία LED και η κόκκινη λυχνία LED είναι σβηστές. | Ο φορτιστής μπαταρίας δεν είναι σωστά συνδεδεμένος στην πρίζα. | Συνδέστε τον φορτιστή μπαταρίας σε μια πρίζα ρεύματος. |
| | Ελαττωματική πρίζα. | Συνδέστε τον φορτιστή μπαταρίας σύμφωνα με την τάση και τη συχνότητα που προδιαγράφονται στην πινακίδα στοιχείων. |
| | Το καλώδιο του φορτιστή μπαταρίας είναι ελαττωματικό. | Επικοινωνήστε με έναν εγκεκριμένο αντιπρόσωπο σέρβις. |
| | Ο φορτιστής μπαταρίας είναι ελαττωματικός. | |
| Άλλα σφάλματα. | Εάν προκύψουν άλλα σφάλματα, βεβαιωθείτε ότι το προϊόν είναι απενεργοποιημένο, αφαιρέστε την μπαταρία και απευθυνθείτε σε έναν εγκεκριμένο αντιπρόσωπο σέρβις. | |

Επίλυση προβλημάτων του ωθούμενου χλοοκοπτικού

Η προειδοποιητική ένδειξη (λυχνία LED σφάλματος) βρίσκεται στο πίσω μέρος του προϊόντος πίσω από το καπάκι της μπαταρίας.

| Πρόβλημα | Λυχνία LED σφάλματος (αριθμός αναβοσβησίματος) | Αιτία | Λύση |
|--|--|---|--|
| Η ενδεικτική λυχνία LED σφάλματος αναβοσβήνει. Το προϊόν δεν λειτουργεί σωστά. | 5 | Η λεπίδα έχει μπλοκάρει. | Γυρίστε το κλειδί ασφαλείας στη θέση 0 για να εμποδίσετε την ακούσια εκκίνηση. Αφαιρέστε την μπαταρία και περιμένετε τουλάχιστον 5 δευτερόλεπτα. Αφαιρέστε τυχόν εμπόδια και βεβαιωθείτε ότι η λεπίδα μπορεί να περιστραφεί ελεύθερα. Αν το πρόβλημα εξακολουθεί να εμφανίζεται, επικοινωνήστε με έναν εξουσιοδοτημένο αντιπρόσωπο σέρβις. |
| | | Η ταχύτητα του μοτέρ μειώνεται υπερβολικά και το μοτέρ σταματά. | Αυξήστε το ύψος κοπής. Ανατρέξτε στην ενότητα <i>Ρύθμιση του ύψους κοπής στη σελίδα 127</i> . |
| | 10 | Το σύστημα ελέγχου του μοτέρ έχει ζεσταθεί πολύ. | Σταματήστε το μοτέρ και περιμένετε μέχρι να κρυώσει. |

| Πρόβλημα | Λυχνία LED σφάλματος (αριθμός αναβοσβησίματος) | Αιτία | Λύση |
|---|--|--|--|
| Η ενδεικτική λυχνία LED σφάλματος αναβοσβήνει. Το προϊόν σταματά να λειτουργεί. | 22 | Η θερμοκρασία της μπαταρίας είναι πολύ υψηλή, επειδή η θερμοκρασία στο περιβάλλον εργασίας είναι πολύ υψηλή. | Αφαιρέστε την μπαταρία από το μηχανήμα και περιμένετε να κρυώσει προτού εκκινήσετε ξανά το μηχανήμα. Βεβαιωθείτε ότι η θερμοκρασία περιβάλλοντος είναι σωστή. Χρησιμοποιείτε την μπαταρία σε θερμοκρασίες μεταξύ 0°C - +40°C. Εάν το πρόβλημα παραμένει, απευθυνθείτε σε έναν εγκεκριμένο αντιπρόσωπο σέρβις. |
| | | Η θερμοκρασία της μπαταρίας είναι υπερβολικά υψηλή, διότι υπάρχει υπερφόρτωση στον κινητήρα | Αυξήστε το ύψος κοπής. Ανατρέξτε στην ενότητα <i>Ρύθμιση του ύψους κοπής στη σελίδα 127</i> . Αν το πρόβλημα εξακολουθεί να εμφανίζεται, επικοινωνήστε με έναν εξουσιοδοτημένο αντιπρόσωπο σέρβις. |
| | 0 | Βλάβη συνδέσμου μπαταρίας. | Ελέγξτε τον σύνδεσμο της μπαταρίας. |
| | 3 | Υπάρχει υπερφόρτωση στο μοτέρ. | Αυξήστε το ύψος κοπής. Ανατρέξτε στην ενότητα <i>Ρύθμιση του ύψους κοπής στη σελίδα 127</i> . |
| | 9 | Σφάλμα μπαταρίας ή έλλειψη σήματος από την μπαταρία. | Τοποθετήστε σωστά την μπαταρία στο προϊόν και ελέγξτε τον σύνδεσμο της μπαταρίας. Αν η λυχνία LED σφάλματος στην μπαταρία αναβοσβήνει, ανατρέξτε στην ενότητα <i>Αντιμετώπιση προβλημάτων φορτιστή μπαταρίας στη σελίδα 131</i> . Αν το πρόβλημα εξακολουθεί να εμφανίζεται, επικοινωνήστε με έναν εξουσιοδοτημένο αντιπρόσωπο σέρβις. |
| | 8 | Η μπαταρία έχει χαμηλή στάθμη φόρτισης. | Φορτίστε την μπαταρία. Ανατρέξτε στην ενότητα <i>Φόρτιση της μπαταρίας στη σελίδα 128</i> . |
| | 12 | Λανθασμένη διαδικασία εκκίνησης. Η λαβή του φρένου του μοτέρ πατήθηκε προτού εκκινήσει το μοτέρ. | Αφήστε τη λαβή του φρένου του μοτέρ και περιμένετε περίπου 5 δευτερόλεπτα. Πιέστε ξανά τη λαβή του φρένου του μοτέρ προς τα κάτω για να εκκινήσετε το προϊόν. |
| Άλλα σφάλματα. | Εάν προκύψουν άλλα σφάλματα, γυρίστε το κλειδί ασφαλείας στη θέση 0, αφαιρέστε την μπαταρία και απευθυνθείτε σε έναν εγκεκριμένο αντιπρόσωπο σέρβις. | | |

Μεταφορά, αποθήκευση και απόρριψη

Εισαγωγή

στη θέση 0, αφαιρέστε την μπαταρία και περιμένετε τουλάχιστον για 5 δευτερόλεπτα.



ΠΡΟΕΙΔΟΠΟΙΗΣΗ: Για να μην εκκινήσει κατά λάθος το προϊόν κατά τη διάρκεια της μεταφοράς και της αποθήκευσης, γυρίστε το κλειδί ασφαλείας

Ρύθμιση του προϊόντος στη θέση μεταφοράς

1. Αφαιρέστε τον συλλέκτη χόρτου και βεβαιωθείτε ότι είναι άδειος.
2. Γυρίστε τις χειρόβιδες ασφάλισης στη λαβή προς τα αριστερά, στη θέση απασφάλισης. (Εικ. 45)
3. Πιέστε τη λαβή προς την κατεύθυνση του πίσω καλύμματος.
4. Γυρίστε τις χειρόβιδες ασφάλισης στη λαβή προς τα δεξιά, στη θέση ασφάλισης.
5. Γυρίστε τις χειρόβιδες της λαβής στη θέση απασφάλισης. (Εικ. 46)
6. Διπλώστε τη λαβή προς τα κάτω μέχρι να ακούσετε ένα κλικ. (Εικ. 47)

Ανατρέξτε στην ενότητα *Τοποθέτηση του προϊόντος στη θέση αποθήκευσης στη σελίδα 134* για την αποθήκευση του προϊόντος.

Μεταφορά

- Οι απαιτήσεις της νομοθεσίας περί μεταφοράς επικίνδυνων εμπορευμάτων ισχύει για τις μπαταρίες ιόντων λιθίου που περιλαμβάνονται.
- Για τις εμπορικές μεταφορές πρέπει να τηρούνται οι ειδικές απαιτήσεις που αναγράφονται στη συσκευασία και στις επικετέες.
- Βεβαιωθείτε ότι τηρείτε τους κανονισμούς για επικίνδυνα υλικά κατά τη μεταφορά του προϊόντος. Μπορεί να ισχύουν τοπικοί κανονισμοί.
- Για τη μεταφορά, πρέπει πάντα να αφαιρείτε την μπαταρία.
- Τοποθετήστε ταινία στους συνδέσμους της μπαταρίας και βεβαιωθείτε ότι η μπαταρία δεν μπορεί να μετακινήθει κατά τη μεταφορά.
- Στερεώστε το προϊόν κατά τη μεταφορά.

Αποθήκευση

- Πριν από την αποθήκευση, αφήστε το προϊόν να κρυώσει.
- Για την αποθήκευση, πρέπει πάντα να αφαιρείτε την μπαταρία.
- Για την αποφυγή ατυχημάτων, βεβαιωθείτε ότι η μπαταρία δεν είναι συνδεδεμένη στο προϊόν κατά την αποθήκευση.
- Αποθηκεύστε τον φορτιστή της μπαταρίας σε κλειστό χώρο χωρίς υγρασία.
- Αποθηκεύστε την μπαταρία και τον φορτιστή σε χώρο χωρίς υγρασία ή παγετό.
- Αποσυνδέστε την μπαταρία από τον φορτιστή προτού την αποθηκεύσετε.
- Μην αποθηκεύετε την μπαταρία σε χώρους όπου μπορεί να προκληθεί στατικός ηλεκτρισμός. Μην αποθηκεύετε την μπαταρία σε μεταλλικό κουτί.
- Αποθηκεύστε το προϊόν μόνο σε χώρο όπου η θερμοκρασία περιβάλλοντος είναι μεταξύ -20°C και $+50^{\circ}\text{C}$.

- Αποθηκεύστε την μπαταρία σε χώρο όπου η θερμοκρασία κυμαίνεται μεταξύ -20°C και $+50^{\circ}\text{C}$, μακριά από την ηλιακή ακτινοβολία.
- Αποθηκεύστε τον φορτιστή της μπαταρίας σε κλειστό χώρο χωρίς υγρασία, σε σημείο προστατευμένο από τον παγετό.
- Προτού αποθηκεύσετε την μπαταρία για μεγάλες χρονικές περιόδους, βεβαιωθείτε ότι είναι καθαρή και φορτισμένη.
- Αποθηκεύστε το προϊόν, την μπαταρία και τον φορτιστή μπαταρίας σε χώρο που κλειδώνεται, ώστε να μην έχουν πρόσβαση παιδιά και μη εξουσιοδοτημένα άτομα.
- Καθαρίστε το προϊόν και βεβαιωθείτε ότι ο συλλέκτης χόρτου είναι άδειος.
- Εκτελείτε τις εργασίες συντήρησης που περιγράφονται σε αυτό το εγχειρίδιο χρήσης. Ανατρέξτε στην ενότητα *Συντήρηση στη σελίδα 129*.
- Πραγματοποιήστε πλήρες σέρβις του προϊόντος προτού το αποθηκεύσετε για μεγάλο χρονικό διάστημα.

Τοποθέτηση του προϊόντος στη θέση αποθήκευσης



ΠΡΟΕΙΔΟΠΟΙΗΣΗ: Για να μην εκκινήσει κατά λάθος το προϊόν κατά τη διάρκεια της μεταφοράς και της αποθήκευσης, γυρίστε το κλειδί ασφαλείας στη θέση 0, αφαιρέστε την μπαταρία και περιμένετε τουλάχιστον για 5 δευτερόλεπτα.

1. Αφαιρέστε την μπαταρία.
2. Τοποθετήστε το προϊόν στη θέση μεταφοράς. Ανατρέξτε στην ενότητα *Ρύθμιση του προϊόντος στη θέση μεταφοράς στη σελίδα 134*.
3. Μετακινήστε το προϊόν στη θέση αποθήκευσης.

Αποθήκευση του προϊόντος οριζόντια πάνω στο έδαφος

1. Τοποθετήστε το προϊόν στη θέση αποθήκευσης. Ανατρέξτε στην ενότητα *Τοποθέτηση του προϊόντος στη θέση αποθήκευσης στη σελίδα 134*.
2. Τοποθετήστε τον συλλέκτη χόρτου. Ανατρέξτε στην ενότητα *Τοποθέτηση του συλλέκτη χόρτου στη σελίδα 135*.
3. Τοποθετήστε το προϊόν οριζόντια πάνω στο έδαφος. (Εικ. 48)

Αποθήκευση του προϊόντος κατακόρυφα πάνω στο έδαφος

1. Τοποθετήστε το προϊόν στη θέση αποθήκευσης. Ανατρέξτε στην ενότητα *Τοποθέτηση του προϊόντος στη θέση αποθήκευσης στη σελίδα 134*.
2. Ανασηκώστε το προϊόν από τα σημεία ανύψωσης στη λαβή και τοποθετήστε το κατακόρυφα πάνω σε μια οριζόντια επιφάνεια. (Εικ. 49)



ΠΡΟΕΙΔΟΠΟΙΗΣΗ: Μην ανυψώσετε το προϊόν από το κάλυμμα κοπής. Η λεπίδα είναι πολύ κοφτερή και μπορεί εύκολα να κοπείτε.

3. Τοποθετήστε τον συλλέκτη χόρτου. Ανατρέξτε στην ενότητα *Τοποθέτηση του συλλέκτη χόρτου στη σελίδα 135*.
4. Βεβαιωθείτε ότι το προϊόν είναι σταθερό και ότι τα 2 πέλματα στήριξης ακουμπούν στο δάπεδο.
5. Αποθηκεύστε το προϊόν κατακόρυφα πάνω στο έδαφος. (Εικ. 50)

Αποθήκευση του προϊόντος κατακόρυφα στο παρεχόμενο άγκιστρο



ΠΡΟΕΙΔΟΠΟΙΗΣΗ: Η ανάρτηση του προϊόντος στον τοίχο πρέπει να γίνεται μόνο με το παρεχόμενο άγκιστρο.

1. Τοποθετήστε το παρεχόμενο άγκιστρο. Ανατρέξτε στην ενότητα *Τοποθέτηση του άγκιστρου στον τοίχο στη σελίδα 127*.
2. Τοποθετήστε το προϊόν στη θέση αποθήκευσης. Ανατρέξτε στην ενότητα *Τοποθέτηση του προϊόντος στη θέση αποθήκευσης στη σελίδα 134*.
3. Ανασηκώστε το προϊόν από τα σημεία ανύψωσης στη λαβή. (Εικ. 49)



ΠΡΟΕΙΔΟΠΟΙΗΣΗ: Μην ανυψώσετε το προϊόν από το κάλυμμα κοπής. Η λεπίδα είναι πολύ κοφτερή και μπορεί εύκολα να κοπείτε.

4. Κρεμάστε το προϊόν κατακόρυφα στο παρεχόμενο άγκιστρο. Ανατρέξτε στην ενότητα *Τοποθέτηση του άγκιστρου στον τοίχο στη σελίδα 127*. (Εικ. 51)
5. Βεβαιωθείτε ότι το προϊόν κρέμεται σωστά και είναι σταθερό πάνω στις 2 ράβδους του γάντζου.
6. Τοποθετήστε τον συλλέκτη χόρτου. Ανατρέξτε στην ενότητα *Τοποθέτηση του συλλέκτη χόρτου στη σελίδα 135*.

Τοποθέτηση του συλλέκτη χόρτου

1. Τοποθετήστε τον συλλέκτη χόρτου στην εγκοπή στο μπροστινό μέρος του προϊόντος. (Εικ. 52)
2. Πιέστε το κάτω μέρος του συλλέκτη χόρτου πάνω στο σημείο ανύψωσης μέχρι να ακούσετε ένα κλικ. (Εικ. 53)

Απόρριψη

Τα σύμβολα που υπάρχουν πάνω στο προϊόν ή στη συσκευασία του, υποδεικνύουν ότι δεν πρέπει να μεταχειρισθείτε το συγκεκριμένο προϊόν ως οικιακό απόρριμμα. Αντιθέτως, πρέπει να το παραδώσετε σε κατάλληλο σταθμό ανακύκλωσης για ανάκτηση του ηλεκτρικού και ηλεκτρονικού εξοπλισμού.

Εξασφαλίζοντας τη σωστή απόρριψη του προϊόντος, συνεισφέρετε στην αντιμετώπιση πιθανών αρνητικών επιπτώσεων που θα μπορούσε να έχει στο περιβάλλον και τους ανθρώπους η λανθασμένη απόρριψη αυτού του προϊόντος. Για περισσότερες πληροφορίες σχετικά με την ανακύκλωση αυτού του προϊόντος, απευθυνθείτε στο δήμο σας, την τοπική υπηρεσία συλλογής απορριμμάτων ή το κατάστημα από το οποίο αγοράσατε το προϊόν.

(Εικ. 54)

Μόνο για τις χώρες της ΕΕ: Σύμφωνα με την οδηγία 2006/66/ΕΚ, οι ελαττωματικές ή χρησιμοποιημένες συστοιχίες μπαταριών/μπαταρίες πρέπει να συλλέγονται ξεχωριστά και να απορρίπτονται με ορθό τρόπο για το περιβάλλον.

Μόνο για το Ηνωμένο Βασίλειο: Σύμφωνα με τους κανονισμούς για τα απορρίμματα μπαταριών και συσσωρευτών 2009 (SI 2009/890) (όπως τροποποιήθηκε), οι συστοιχίες μπαταριών/μπαταρίες που δεν χρησιμοποιούνται πλέον πρέπει να συλλέγονται ξεχωριστά και να απορρίπτονται με τρόπο φιλικό προς το περιβάλλον.

Τεχνικά στοιχεία

Τεχνικά στοιχεία

| | Aspire LC34-P4A |
|---------------------------------------|----------------------------|
| Μοτέρ κοπής | |
| Τύπος μοτέρ | BLDC (χωρίς ψήκτρεις) 18 V |
| Ταχύτητα μοτέρ - Ονομαστική, σ.α.λ. | 3000 |
| Ταχύτητα μοτέρ - Υψηλό φορτίο, σ.α.λ. | 3500 |
| Ισχύς μοτέρ – μέγ. kW | 0,7 |

| | |
|--|------------------------|
| | Aspire LC34-P4A |
| Ισχύς μοτέρ - Ονομαστική, kW | 0,5 |
| Μοτέρ πορείας | |
| Ισχύς μοτέρ - Ονομαστική, kW | Δ/Υ |
| Ταχύτητα αυτόματης πορείας, km/h | Δ/Υ |
| Επίπεδα ρύθμισης ταχύτητας | Δ/Υ |
| Βάρος | |
| Βάρος χωρίς σακούλα (χωρίς μπαταρία), kg | 11,5 |
| Βάρος με σακούλα (περιλ. 1 x P4A 18-B72), kg | 13,5 |
| Μπαταρία | |
| Τύπος μπαταρίας | Ιόντων λιθίου |
| Χρόνος λειτουργίας μπαταρίας | |
| Χρόνος λειτουργίας μπαταρίας, λεπτά, ²¹ | 60 |
| Εκπομπές θορύβου ²² | |
| Στάθμη ηχητικής ισχύος, μετρούμενη τιμή σε dB (A) | 86 |
| Στάθμη ηχητικής ισχύος, εγγυημένη L _{WA} dB (A) | 87 |
| Στάθμες ήχου ²³ | |
| Στάθμη ηχητικής πίεσης στο αυτί του χειριστή, σε dB (A) | 74 |
| Στάθμες κραδασμών ²⁴ | |
| Λαβή, m/s ² | 0,5 |
| Εξοπλισμός κοπής | |
| Ύψος κοπής, mm | 30-65 |
| Πλάτος κοπής, cm | 34 |
| Λεπίδα, βασικός εξοπλισμός | Combi 5375561-10 |
| Λεπίδα, αξεσουάρ | Δ/Υ |
| Χωρητικότητα συλλέκτη χόρτου, λίτρα | 30 |

Εγκεκριμένες μπαταρίες

Αυτό το προϊόν μπορεί να λειτουργήσει με όλες τις μπαταρίες **POWER FOR ALL**. Για βέλτιστη

απόδοση, συνιστάται η χρήση μπαταριών με ελάχιστη χωρητικότητα 4,0 Ah.

²¹ (ελεύθερη διαδρομή) με ενεργοποιημένη την τυπική λειτουργία, με μία μπαταρία Husqvarna 4,0 Ah (P4A 18-B72).

²² Οι εκπομπές θορύβου στο περιβάλλον μετρούνται ως ηχητική ισχύς (L_{WA}) σε συμμόρφωση με την Οδηγία 2000/14/EK.

²³ Ο συντελεστής αβεβαιότητας (K) των αναφερόμενων δεδομένων για το επίπεδο πίεσης θορύβου είναι 1,5 dB (A).

²⁴ Ο συντελεστής αβεβαιότητας (K) των αναφερόμενων δεδομένων για τη στάθμη δόνησης είναι 1,5 m/s². Η δηλωθείσα συνολική τιμή κραδασμών μετρήθηκε σύμφωνα με το πρότυπο EN 62841-4-3, Παράρτημα I, και μπορεί να χρησιμοποιηθεί για τη σύγκριση μηχανημάτων και στην προκαταρκτική αξιολόγηση της έκθεσης.

| Μπαταρία | P4A 18-B45 | P4A 18-B72 |
|----------------------------|-------------------|-------------------|
| Τύπος | Ιόντων λιθίου | Ιόντων λιθίου |
| Χωρητικότητα μπαταρίας, Ah | 2,5 | 4,0 |
| Ονομαστική τάση, V | 18 | 18 |
| Βάρος, κιλά | 0,35 | 0,65 |
| Αριθμός στοιχείων (Li-ion) | 5 | 10 |

Εγκεκριμένοι φορτιστές μπαταρίας

| Φορτιστής μπαταρίας | P4A 18-C70 |
|----------------------------|-------------------|
| Τάση εισόδου, V | 220–240 |
| Συχνότητα, Hz | 50–60 |
| Ισχύς, W | 70 |

Δήλωση Συμμόρφωσης

Δήλωση συμμόρφωσης ΕΕ

Εμείς, η **Husqvarna AB**, SE-561 82 Huskvarna, Σουηδία,
τηλ.: +46-36-146500, δηλώνουμε με αποκλειστική μας
ευθύνη ότι το προϊόν:

| | |
|------------------------|---|
| Περιγραφή | Ωθούμενο χλοοκοπτικό |
| Μάρκα | Husqvarna |
| Τύπος / Μοντέλο | Aspire LC34-P4A |
| Αναγνώριση | Αριθμοί σειράς με ημερομηνία από το 2022 και έπειτα |

συμμορφώνεται πλήρως με τις ακόλουθες οδηγίες και
τους κανονισμούς της ΕΕ:

| Κανονισμός | Περιγραφή |
|-------------------|--|
| 2006/42/EK | "σχετικά με τα μηχανήματα" |
| 2014/30/EE | "σχετικά με την ηλεκτρομαγνητική συμβατότητα" |
| 2000/14/EK | "σχετικά με τις εκπομπές θορύβου στο περιβάλλον" |
| 2011/65/EE | "σχετικά με τον περιορισμό της χρήσης ορισμένων επικίνδυνων ουσιών σε είδη ηλεκτρικού και ηλεκτρονικού εξοπλισμού" |

και ότι εφαρμόζονται τα παρακάτω πρότυπα ή/και
τεχνικές προδιαγραφές: EN 62841-1:2015/AC:2015, EN
IEC 62841-4-3:2021/A11:2021, EN ISO 12100:2010,
EN 55014-1:2021, EN 55014-2:2021, EN IEC
61000-6-2:2019, EN IEC 61000-6-3:2021, EN IEC
63000:2018

Κοινοποιημένος φορέας: O 0404, RISE SMP Svensk
Maskinprovning AB, Box 4053, SE-904 03 Umeå,
Sweden έχει πιστοποιήσει τη συμμόρφωση με
την οδηγία 2000/14/EK του Συμβουλίου, διαδικασία
αξιολόγησης συμμόρφωσης: Παράρτημα VI.

Για πληροφορίες σχετικά με τις εκπομπές θορύβου,
ανατρέξτε στην ενότητα *Τεχνικά στοιχεία στη σελίδα 135*.

Huskvarna, 2022-10-24



Claes Losdal, Υπεύθυνος ανάπτυξης/Προϊόντα κήπου
Husqvarna AB

Υπεύθυνος για την τεχνική τεκμηρίωση



Copyright © 2012–2020 STMicroelectronics

Η παρούσα εγγύηση δεν καλύπτει ελαττώματα που είναι αποτέλεσμα φυσιολογικής φθοράς, αμέλειας, ελαττωματικής χρήσης, μη εξουσιοδοτημένης επισκευής ή εάν η συσκευή αναρρόφησης είναι συνδεδεμένη σε λανθασμένη τάση.

Με την επιφύλαξη παντός δικαιώματος.

Η αναδιανομή και η χρήση σε πηγαία και δυαδική μορφή, με ή χωρίς τροποποίηση, επιτρέπονται εάν πληρούνται οι ακόλουθες προϋποθέσεις:

- Στις αναδιανομές του πηγαίου κώδικα πρέπει να διατηρείται η παραπάνω σημείωση περί πνευματικών δικαιωμάτων, η παρούσα λίστα προϋποθέσεων και η ακόλουθη αποποίηση ευθυνών.
- Στις αναδιανομές σε δυαδική μορφή πρέπει να υπάρχει αντίγραφο της παραπάνω σημείωσης περί πνευματικών δικαιωμάτων, της παρούσας λίστας προϋποθέσεων και της ακόλουθης αποποίησης ευθυνών στα έγγραφα τεκμηρίωσης ή/και σε οποιοδήποτε άλλο υλικό παρέχεται μαζί με τη διανομή.
- Δεν επιτρέπεται η χρήση του ονόματος της STMicroelectronics και των άλλων συντελεστών για την προσυπογραφή ή προώθηση προϊόντων που προκύπτουν από το παρόν λογισμικό χωρίς προηγούμενη γραπτή άδεια.

ΤΟ ΠΑΡΟΝ ΛΟΓΙΣΜΙΚΟ ΠΑΡΕΧΕΤΑΙ ΑΠΟ ΤΟΥΣ ΚΑΤΟΧΟΥΣ ΤΩΝ ΠΝΕΥΜΑΤΙΚΩΝ ΔΙΚΑΙΩΜΑΤΩΝ ΚΑΙ ΤΟΥΣ ΑΛΛΟΥΣ ΣΥΝΤΕΛΕΣΤΕΣ "ΩΣ ΕΧΕΙ" ΚΑΙ ΑΠΟΠΟΙΟΥΜΕΘΑ ΟΠΟΙΑΔΗΠΟΤΕ ΡΗΤΗ Ή ΣΙΩΠΗΡΗ ΕΓΓΥΗΣΗ, ΣΥΜΠΕΡΙΛΑΜΒΑΝΟΜΕΝΩΝ, ΕΝΔΕΙΚΤΙΚΑ, ΤΩΝ ΣΙΩΠΗΡΩΝ ΕΓΓΥΗΣΕΩΝ ΕΜΠΟΡΕΥΣΙΜΟΤΗΤΑΣ ΚΑΙ ΚΑΤΑΛΛΗΛΟΤΗΤΑΣ ΓΙΑ ΣΥΓΚΕΚΡΙΜΕΝΟ ΣΚΟΠΟ. ΣΕ ΚΑΜΙΑ ΠΕΡΙΠΤΩΣΗ Ο ΚΑΤΟΧΟΣ ΤΩΝ ΠΝΕΥΜΑΤΙΚΩΝ ΔΙΚΑΙΩΜΑΤΩΝ Ή ΟΙ ΑΛΛΟΙ ΣΥΝΤΕΛΕΣΤΕΣ ΔΕΝ ΘΑ ΕΙΝΑΙ ΥΠΕΥΘΥΝΟΙ ΓΙΑ ΟΠΟΙΑΔΗΠΟΤΕ ΑΜΕΣΗ, ΕΜΜΕΣΗ, ΣΥΜΠΤΩΜΑΤΙΚΗ, ΕΙΔΙΚΗ, ΠΑΡΑΔΕΙΓΜΑΤΙΚΗ Ή ΕΠΑΚΟΛΟΥΘΗ ΖΗΜΙΑ (ΣΥΜΠΕΡΙΛΑΜΒΑΝΟΜΕΝΩΝ, ΜΕΤΑΞΥ ΑΛΛΩΝ, ΤΗΣ ΠΡΟΜΗΘΕΙΑΣ ΥΠΟΚΑΤΑΣΤΑΤΩΝ ΑΓΑΘΩΝ Ή ΥΠΗΡΕΣΙΩΝ, ΤΗΣ ΑΠΩΛΕΙΑΣ ΧΡΗΣΗΣ, ΔΕΔΟΜΕΝΩΝ Η ΚΕΡΔΩΝ Η ΤΗΣ ΔΙΑΚΟΠΗΣ ΤΩΝ ΕΠΙΧΕΙΡΗΜΑΤΙΚΩΝ ΔΡΑΣΤΗΡΙΟΤΗΤΩΝ), ΑΝΕΞΑΡΤΗΤΑ ΑΠΟ ΤΟΝ ΤΡΟΠΟ ΠΟΥ ΠΡΟΚΛΗΘΗΚΕ ΚΑΙ ΑΠΟ ΟΠΟΙΑΔΗΠΟΤΕ ΘΕΩΡΙΑ ΕΥΘΥΝΗΣ, ΕΙΤΕ ΒΑΣΕΙ ΣΥΜΒΑΣΗΣ ΕΙΤΕ ΒΑΣΕΙ ΑΝΤΙΚΕΙΜΕΝΙΚΗΣ ΕΥΘΥΝΗΣ Ή ΛΟΓΩ ΑΔΙΚΟΠΡΑΞΙΑΣ (ΣΥΜΠΕΡΙΛΑΜΒΑΝΟΜΕΝΗΣ ΤΗΣ ΑΜΕΛΕΙΑΣ Η ΑΛΛΩΣ) ΠΟΥ ΠΡΟΚΥΠΤΕΙ ΚΑΤΑ ΟΠΟΙΟΔΗΠΟΤΕ ΤΡΟΠΟ ΑΠΟ ΤΗ ΧΡΗΣΗ ΤΟΥ ΠΑΡΟΝΤΟΣ ΛΟΓΙΣΜΙΚΟΥ, ΑΚΟΜΑ ΚΙ ΑΝ ΕΧΕΙ ΕΝΗΜΕΡΩΘΕΙ ΓΙΑ ΤΗΝ ΠΙΘΑΝΟΤΗΤΑ ΠΡΟΚΛΗΣΗΣ ΤΕΤΟΙΩΝ ΖΗΜΙΩΝ.

Άδεια χρήσης Apache 2.0

Copyright © 2009-2019 Arm Limited. Με την επιφύλαξη παντός δικαιώματος.

Έκδοση 2.0, Ιανουάριος 2004, <http://www.apache.org/licenses/>

ΟΡΟΙ ΚΑΙ ΠΡΟΫΠΟΘΕΣΕΙΣ ΧΡΗΣΗΣ, ΑΝΑΠΑΡΑΓΩΓΗΣ ΚΑΙ ΔΙΑΝΟΜΗΣ

1. Ορισμοί.

Ως **"Άδεια χρήσης"** νοούνται οι όροι και οι προϋποθέσεις χρήσης, αναπαραγωγής και διανομής, όπως ορίζονται στις ενότητες 1 έως 9 του παρόντος εγγράφου.

Ως **"Χορηγός της άδειας χρήσης"** νοείται ο κάτοχος των πνευματικών δικαιωμάτων ή ο φορέας που έχει εξουσιοδοτηθεί από τον κάτοχο των πνευματικών δικαιωμάτων για τη χορήγηση της άδειας χρήσης.

Ως **"Νομική οντότητα"** νοείται η ένωση της ενεργούσας οντότητας και όλων των άλλων οντοτήτων που ελέγχουν, ελέγχονται ή τελούν υπό κοινό έλεγχο με την εν λόγω οντότητα. Για τους σκοπούς του παρόντος ορισμού, ως **"έλεγχος"** νοείται i) η εξουσία, άμεση ή έμμεση, για τη διεύθυνση ή διαχείριση της εν λόγω οντότητας είτε βάσει σύμβασης είτε με άλλο τρόπο, ή ii) η κυριότητα του πενήντα τοις εκατό (50%) ή περισσότερων εν κυκλοφορία μετοχών, ή iii) η πραγματική κυριότητα της εν λόγω οντότητας. Με τον όρο **"Εσείς"** (ή **"Σας"**) νοείται ένα φυσικό ή νομικό πρόσωπο που ασκεί δικαιώματα τα οποία εκχωρούνται από την παρούσα Άδεια χρήσης.

Ως **"Πηγαία μορφή"** νοείται η προτιμώμενη μορφή για την εκτέλεση τροποποιήσεων και συμπεριλαμβάνει, ενδεικτικά, τον πηγαίο κώδικα του λογισμικού, την πηγή τεκμηρίωσης και τα αρχεία διαμόρφωσης. Ως **"Μορφή αντικειμένου"** νοείται κάθε μορφή που προκύπτει από τον μηχανικό μετασχηματισμό ή μετάφραση μιας πηγαίας μορφής και συμπεριλαμβάνει, ενδεικτικά, τον μεταγλωττισμένο αντικειμενικό κώδικα, την παραγόμενη τεκμηρίωση και τις μετατροπές σε άλλους τύπους μέσων.

Ως **"Έργο"** νοείται το έργο ενός δημιουργού, είτε σε πηγαία μορφή είτε σε μορφή αντικειμένου, το οποίο διατίθεται βάσει της Άδειας χρήσης, όπως υποδεικνύεται από μια γνωστοποίηση περί πνευματικών δικαιωμάτων που περιλαμβάνεται ή επισυνάπτεται στο έργο (ένα παράδειγμα παρέχεται στο παρακάτω Παράρτημα). Ως **"Παράγωγα έργα"** νοείται κάθε έργο, είτε σε πηγαία μορφή είτε σε μορφή αντικειμένου, που βασίζεται στο (ή προέρχεται από το) έργο και για το οποίο οι συντακτικές αναθεωρήσεις, τα σχόλια, οι επεξηγήσεις ή άλλες τροποποιήσεις αντιπροσωπεύουν, συνολικά, ένα πρωτότυπο έργο δημιουργού. Για τους σκοπούς της παρούσας Άδειας χρήσης, τα Παράγωγα έργα δεν περιλαμβάνουν έργα που παραμένουν διαχωρισμένα από ή απλώς συνδέονται (ή συνδέονται κατά όνομα) με τις διεπαφές του Έργου και των Παράγωγων έργων αυτού. Ως **"Συνεισφορά"** νοείται κάθε έργο δημιουργού, συμπεριλαμβανομένης της αρχικής έκδοσης του έργου και τυχόν τροποποιήσεων ή προσθηκών στο έργο αυτό ή σε παράγωγα έργα του, που υποβάλλεται σκόπιμα στον Χορηγό της άδειας χρήσης

για να συμπεριληφθεί στο Έργο από τον κάτοχο των πνευματικών δικαιωμάτων ή από ένα άτομο ή μια Νομική οντότητα που έχει εξουσιοδοτηθεί για υποβολή εκ μέρους του κατόχου των πνευματικών δικαιωμάτων. Για τους σκοπούς του παρόντος ορισμού ως **"υποβληθείσα"** νοείται κάθε μορφή ηλεκτρονικής, προφορικής ή γραπτής επικοινωνίας που αποστέλλεται στον Χορηγό της άδειας χρήσης ή στους εκπροσώπους του, συμπεριλαμβανομένης, μεταξύ άλλων, της επικοινωνίας σε ηλεκτρονικές λίστες αλληλογραφίας, συστήματα ελέγχου πηγαίου κώδικα και συστήματα παρακολούθησης προβλημάτων τα οποία διαχειρίζεται ο Χορηγός της άδειας χρήσης ή άλλα μέρη για λογαριασμό του, με σκοπό τη συζήτηση και τη βελτίωση του Έργου, εξαιρουμένης της επικοινωνίας που επισημαίνεται εμφανώς ή ορίζεται με άλλο τρόπο εγγράφως από τον κάτοχο των πνευματικών δικαιωμάτων ως **"Μη αποτελούσα συνεισφορά"**. Ως **"Συντελεστής"** νοείται ο Χορηγός της άδειας χρήσης και κάθε φυσικό ή Νομικό πρόσωπο για λογαριασμό του οποίου έχει ληφθεί μια συνεισφορά από τον Χορηγό της άδειας χρήσης, η οποία, στη συνέχεια, έχει ενσωματωθεί στο Έργο.

2. Εκχώρηση άδειας χρήσης πνευματικών δικαιωμάτων.

Σύμφωνα με τους όρους και τις προϋποθέσεις της παρούσας Άδειας χρήσης, κάθε Συντελεστής Σας εκχωρεί δια του παρόντος μια μόνιμη, παγκόσμια, μη αποκλειστική, δωρεάν και χωρίς υποχρέωση καταβολής δικαιωμάτων εκμετάλλευσης, ανέκκλητη άδεια χρήσης πνευματικών δικαιωμάτων για την αναπαραγωγή, τη δημιουργία παράγωγων έργων, τη δημόσια προβολή, τη δημόσια εκτέλεση, την παροχή επιμέρους αδειών χρήσης και τη διανομή του έργου και των εν λόγω παράγωγων έργων σε πηγαία μορφή ή σε μορφή αντικειμένου.

3. Χορήγηση άδειας χρήσης διπλώματος ευρεσιτεχνίας.

Σύμφωνα με τους όρους και τις προϋποθέσεις της παρούσας Άδειας χρήσης, κάθε Συντελεστής Σας εκχωρεί δια του παρόντος μια μόνιμη, παγκόσμια, μη αποκλειστική, δωρεάν και χωρίς υποχρέωση καταβολής δικαιωμάτων εκμετάλλευσης, αμετάκλητη (εκτός από όσα αναφέρονται στην παρούσα ενότητα) άδεια χρήσης διπλώματος ευρεσιτεχνίας για την παραγωγή, τη χρήση, την προσφορά πώλησης, την πώληση, την εξαγωγή και με άλλο τρόπο μεταφορά του Έργου, όταν η εν λόγω άδεια ισχύει μόνο για τις αξιώσεις περί διπλωμάτων ευρεσιτεχνίας που επιτρέπει ο εν λόγω συντελεστής και οι οποίες παραβιάζονται απαραίτητα από τη Συνεισφορά ή τις Συνεισφορές τους μόνο ή με συνδυασμό της Συνεισφοράς ή των Συνεισφορών τους με το Έργο στο οποίο υποβλήθηκε η εν λόγω Συνεισφορά ή Συνεισφορές. Επαισιόδοξα αγνωγία για δίπλωμα ευρεσιτεχνίας κατά οποιαδήποτε οντότητας (συμπεριλαμβανομένης διασταυρούμενης αξιολόγησης ή ανταγωγής σε αγωγή) ισχυριζόμενοι ότι το Έργο ή μια Συνεισφορά που έχει ενσωματωθεί στο Έργο συνιστά άμεση ή συμμετοχή σε παραβίαση διπλώματος ευρεσιτεχνίας, οποιασδήποτε άδειες χρήσης διπλώματος ευρεσιτεχνίας Σας έχουν εκχωρηθεί στο πλαίσιο της

παρούσας Άδειας χρήσης για το Έργο αυτό θα παύσουν να ισχύουν από την ημερομηνία κατάθεσης της εν λόγω αγωγής.

4. Αναδιανομή.

Επιτρέπεται να αναπαράγεται και να διανέμεται αντίγραφο του Έργου ή των Παράγωγων έργων αυτού σε οποιοδήποτε μέσο, με ή χωρίς τροποποιήσεις, και σε πηγαία μορφή ή μορφή αντικειμένου, εάν πληρούνται οι ακόλουθες προϋποθέσεις:

- Πρέπει να παρέχετε σε οποιοδήποτε άλλο παραλήπτη του Έργου ή των Παράγωγων έργων ένα αντίγραφο της παρούσας Άδειας χρήσης, και
- Πρέπει να φροντίσετε οποιοδήποτε τροποποιημένο αρχείο να φέρει εμφανείς γνωστοποιήσεις που θα δηλώνουν ότι έχετε αλλάξει τα αρχεία και πρέπει να διατηρήσετε, στην πηγαία μορφή οποιωνδήποτε Παράγωγων έργων που διανέμετε, όλες τις γνωστοποιήσεις περί πνευματικών δικαιωμάτων, διπλωμάτων ευρεσιτεχνίας, εμπορικών σημάτων και απόδοσης δικαιωμάτων από την Πηγαία μορφή του Έργου, με εξαίρεση τις ειδοποιήσεις που δεν αφορούν οποιοδήποτε τμήμα των Παράγωγων έργων και
- Εάν το έργο περιλαμβάνει ένα αρχείο κειμένου με τίτλο **"ΓΝΩΣΤΟΠΟΙΗΣΗ"** στη διεύθυνση του, οποιαδήποτε Παράγωγα έργα διανέμετε Εσείς πρέπει να περιλαμβάνουν ένα αναγνώσιμο αντίγραφο των γνωστοποιήσεων απόδοσης δικαιωμάτων που περιέχονται στο εν λόγω αρχείο με τίτλο ΓΝΩΣΤΟΠΟΙΗΣΗ, με εξαίρεση τις γνωστοποιήσεις που δεν αφορούν οποιοδήποτε τμήμα των Παράγωγων έργων, σε τουλάχιστον ένα από τα ακόλουθα σημεία: εντός ενός αρχείου κειμένου με τίτλο ΓΝΩΣΤΟΠΟΙΗΣΗ που διανέμεται μαζί με τα Παράγωγα έργα, εντός της Πηγαίας μορφής ή της τεκμηριώσης, εάν παρέχεται μαζί με τα Παράγωγα έργα, ή εντός μιας απεικόνισης που θα δημιουργείται από τα Παράγωγα έργα, εάν και όπου εμφανίζονται κανονικά οι εν λόγω γνωστοποιήσεις από τρίτα μέρη. Τα περιεχόμενα του αρχείου με τίτλο ΓΝΩΣΤΟΠΟΙΗΣΗ παρέχονται μόνο για ενημερωτικούς σκοπούς και δεν τροποποιούν την Άδεια χρήσης. Μπορείτε να προσθέσετε τις δικές Σας γνωστοποιήσεις απόδοσης δικαιωμάτων σε Παράγωγα έργα που διανέμετε Εσείς, παράλληλα ή ως συμπλήρωμα στο κείμενο ΓΝΩΣΤΟΠΟΙΗΣΗ από το Έργο, υπό την προϋπόθεση ότι αυτές οι πρόσθετες γνωστοποιήσεις απόδοσης δικαιωμάτων δεν μπορούν να ερμηνευτούν ως τροποποίηση της Άδειας χρήσης. Μπορείτε να προσθέσετε τη δική Σας δήλωση περί πνευματικών δικαιωμάτων στις τροποποιήσεις σας και να ορίσετε πρόσθετους ή διαφορετικούς όρους και προϋποθέσεις για τη χρήση, την αναπαραγωγή ή τη διανομή των τροποποιήσεων Σας ή για οποιαδήποτε τέτοια Παράγωγα έργα συνολικά, με την προϋπόθεση ότι η χρήση, αναπαραγωγή και η διανομή του Έργου από Εσάς συμμορφώνεται με τις προϋποθέσεις που αναφέρονται στην παρούσα Άδεια χρήσης.

5. Υποβολή συνεισφορών.

Εκτός εάν δηλώσετε ρητά κάτι διαφορετικό, οποιαδήποτε Συνεισφορά που υποβάλλεται σκόπιμα για συμπερίληψη στο Έργο από εσάς στον Χορηγό της άδειας χρήσης υπόκειται στους όρους και τις προϋποθέσεις της παρούσας Άδειας χρήσης, χωρίς οποιουδήποτε πρόσθετους όρους ή προϋποθέσεις. Με την επιφύλαξη των παραπάνω, τίποτα από όσα περιλαμβάνονται στο παρόν έγγραφο δεν αντικαθιστά ή τροποποιεί τους όρους οποιασδήποτε ξεχωριστής συμφωνίας άδειας χρήσης που μπορεί να έχετε συνάψει με τον Χορηγό της άδειας χρήσης σχετικά με αυτές τις Συνεισφορές.

6. Εμπορικά σήματα.

Η παρούσα Άδεια χρήσης δεν εκχωρεί την άδεια χρήσης των εμπορικών ονομάτων, των εμπορικών σημάτων, των σημάτων υπηρεσιών ή των ονομάτων προϊόντων του Χορηγού της άδειας χρήσης, εκτός εάν απαιτείται για την εύλογη και συνήθη χρήση κατά την περιγραφή της προέλευσης του έργου και την αναπαραγωγή του περιεχομένου του αρχείου ΓΝΩΣΤΟΠΟΙΗΣΗ.

7. Δήλωση αποποίησης εγγύησης.

Εκτός εάν απαιτείται από την ισχύουσα νομοθεσία ή έχει συμφωνηθεί γραπτώς, ο Χορηγός της άδειας χρήσης παρέχει το Έργο (και κάθε Συντελεστής παρέχει τις συνεισφορές του) "ΩΣ ΕΧΕΙ", ΧΩΡΙΣ ΚΑΜΙΑ ΕΓΓΥΗΣΗ Ή ΠΡΟΫΠΟΘΕΣΗ ΟΠΟΙΟΥΔΗΠΟΤΕ ΕΙΔΟΥΣ, ρητή ή σιωπηρή, συμπεριλαμβανομένων, ενδεικτικά, οποιωνδήποτε εγγυήσεων ή προϋποθέσεων για τον ΤΙΤΛΟ, τη ΜΗ ΠΑΡΑΒΙΑΣΗ ΔΙΚΑΙΩΜΑΤΩΝ, την ΕΜΠΟΡΕΥΣΙΜΟΤΗΤΑ ή την ΚΑΤΑΛΛΗΛΟΤΗΤΑ ΓΙΑ ΣΥΓΚΕΚΡΙΜΕΝΟ ΣΚΟΠΟ. Είστε αποκλειστικά υπεύθυνοι για τον προσδιορισμό της καταλληλότητας χρήσης ή αναδιανομής του Έργου και αναλαμβάνετε κάθε κίνδυνο που σχετίζεται με την άσκηση

των δικαιωμάτων Σας στο πλαίσιο της παρούσας Άδειας χρήσης. 8. Περιορισμός ευθύνης. Σε καμία περίπτωση και βάσει καμίας νομικής θεωρίας, είτε εξ αδικοπραξίας (συμπεριλαμβανομένης της αμέλειας) είτε βάσει σύμβασης ή άλλως, εκτός εάν απαιτείται από το εφαρμοστέο δίκαιο (όπως εσκεμμένες και αμελείς πράξεις) ή εάν έχει συμφωνηθεί γραπτώς, δεν θα είναι υπεύθυνος οποιοσδήποτε Συντελεστής έναντι Σας για τυχόν ζημιές, συμπεριλαμβανομένων των άμεσων, έμμεσων, ειδικών, συμπωματικών ή επακόλουθων ζημιών οποιοδήποτε χαρακτήρα, οι οποίες μπορεί να προκύψουν ως αποτέλεσμα της παρούσας άδειας χρήσης ή λόγω της χρήσης ή της αδυναμίας χρήσης του Έργου (συμπεριλαμβανομένων, ενδεικτικά, ζημιών για απώλεια καλής θέλησης, διακοπή εργασιών, βλάβη ή δυσλειτουργία υπολογιστών ή οποιαδήποτε άλλη εμπορική ζημία ή απώλεια), ακόμα και αν ο εν λόγω Συντελεστής έχει ενημερωθεί για την πιθανότητα τέτοιων ζημιών.

9. Αποδοχή εγγύησης ή πρόσθετης ευθύνης.

Κατά την αναδιανομή του Έργου ή των Παράγωγων έργων αυτού, μπορείτε να επιλέξετε να προσφέρετε και να χρεώνετε μια αμοιβή για την αποδοχή της υποστήριξης, της εγγύησης, της αποζημίωσης ή άλλων υποχρεώσεων ή/και δικαιωμάτων που συνάδουν με την παρούσα Άδεια χρήσης. Ωστόσο, κατά την αποδοχή αυτών των υποχρεώσεων, μπορείτε να ενεργείτε μόνο για δικό Σας λογαριασμό και με αποκλειστικά δική σας ευθύνη, όχι για λογαριασμό οποιουδήποτε άλλου Συντελεστή, και μόνο εάν συμφωνείτε να αποζημιώσετε, να υπερασπιστείτε και να προστατεύσετε κάθε Συντελεστή έναντι οποιασδήποτε ευθύνης που προκύπτει από, ή από αξιώσεις που εγείρονται κατά του εν λόγω Συντελεστή λόγω της αποδοχής από Εσάς οποιασδήποτε τέτοιας εγγύησης ή πρόσθετης ευθύνης. ΤΕΛΟΣ ΤΩΝ ΟΡΩΝ ΚΑΙ ΠΡΟΫΠΟΘΕΣΕΩΝ

Σήματα κατατεθέντα

Ο κωδικός QR είναι σήμα κατατεθέν της DENSO WAVE INCORPORATED στην Ιαπωνία.

Contenido

| | | | |
|------------------------------|-----|---|-----|
| Introducción..... | 142 | Transporte, almacenamiento y eliminación..... | 156 |
| Seguridad..... | 143 | Datos técnicos..... | 158 |
| Montaje..... | 150 | Declaración de conformidad..... | 161 |
| Funcionamiento..... | 150 | Licencias..... | 162 |
| Mantenimiento..... | 152 | Marcas registradas..... | 164 |
| Resolución de problemas..... | 154 | | |

Introducción

Descripción del producto

El producto es un cortacésped giratorio conducido a pie. La hierba se recoge en un recogedor de césped. Retire el recogedor de césped para utilizar la descarga trasera de hierba. Instale un accesorio triturador para desmenuzar la hierba y utilizarla como abono.

Uso previsto

Utilice el producto para cortar hierba. No utilice el producto para otras tareas.

Descripción del producto

(Fig. 1)

1. Palanca del freno del motor
2. Inhibidor de arranque
3. Manillar
4. Mando de bloqueo del manillar
5. Tuercas mariposa del manillar
6. Recogedor de césped
7. Accesorio triturador
8. Cubierta trasera
9. LED del producto
10. Indicador de advertencia (LED de error)
11. Llave de seguridad
12. Compartimento de la batería
13. Tapa de la batería
14. Símbolos
15. Palanca de altura de corte
16. Batería (accesorio)
17. Cargador de batería (accesorio)
18. LED rojo
19. LED verde
20. Puntos de elevación
21. Gancho
22. Manual de usuario

Guía rápida

Escanee el código QR para obtener información sobre cómo utilizar el producto.



Símbolos que aparecen en el producto

- (Fig. 2) ADVERTENCIA
- (Fig. 3) Lea las instrucciones.
- (Fig. 4) ADVERTENCIA: Tenga cuidado con los objetos que salen despedidos.
- (Fig. 5) Mantenga alejados a los transeúntes.
- (Fig. 6) ADVERTENCIA: Mantenga los pies y las manos alejados de las cuchillas.
- (Fig. 7) ADVERTENCIA: Desconecte la batería antes de realizar el mantenimiento.
- (Fig. 8) Ni el producto ni su embalaje son residuos domésticos. Recíclelos en un centro de reciclaje para equipos eléctricos y electrónicos.
- (Fig. 9) Etiqueta de emisiones sonoras al medio ambiente conforme con las directivas y normativas europeas y del Reino Unido, y con la regulación de 2017 sobre de protección del medioambiente (control de ruidos) (Protection of the

Environment Operations - Noise Control) de la legislación de Nueva Gales del Sur. El nivel de potencia acústica garantizado del producto se especifica en el apartado *Datos técnicos en la página 158* y en la etiqueta.

(Fig. 20)

Use la batería solamente en productos de socios que utilicen el sistema POWER FOR ALL.

(Fig. 10) Este equipo cumple con las directivas CE vigentes.

(Fig. 21)

Proteja la batería del calor, por ejemplo, de la luz solar directa y continua, del fuego, de la suciedad, del agua y de la humedad. Existe riesgo de explosión o cortocircuito.

(Fig. 22)

(Fig. 11) Este producto cumple con las directivas del Reino Unido vigentes.

(Fig. 12) El producto está protegido contra salpicaduras.

(Fig. 16)

Utilice y guarde el cargador de baterías únicamente en interiores.

(Fig. 13) Suelte la palanca del freno del motor para detenerse.

(Fig. 17)

Doble aislamiento.

(Fig. 14) Empuje la palanca del freno motor para accionar las cuchillas.

Etiqueta del producto

(Fig. 23)

PELIGRO: Mantenga las manos y los pies alejados.

(Fig. 15) Código escaneable.

Responsabilidad sobre el producto

(Fig. 18) Gire para bloquear o desbloquear.

Como se estipula en las leyes de responsabilidad del producto, no nos hacemos responsables de los daños y perjuicios causados por nuestro producto si:

- El producto se ha reparado incorrectamente.
- El producto se ha reparado con piezas que no eran del fabricante o no autorizadas por el fabricante.
- El producto tiene un accesorio que no es del fabricante o no está autorizado por este.
- El producto no se ha reparado en un centro de servicio autorizado o por un organismo homologado.

Nota: Los demás símbolos y etiquetas que aparecen en el producto corresponden a requisitos de homologación específicos en algunos mercados.

Símbolos que aparecen en la batería o en el cargador de la batería

(Fig. 19)

Recicle el producto en un centro de reciclaje para equipos eléctricos y electrónicos. (Aplicable solo para Europa)

Seguridad

Definiciones de seguridad

Las advertencias, precauciones y notas se utilizan para destacar información especialmente importante del manual.



PRECAUCIÓN: Indica un riesgo de daños en el producto, otros materiales o el área adyacente si no se respetan las instrucciones del manual.



ADVERTENCIA: Indica un riesgo de lesiones o incluso de muerte del usuario o de las personas cercanas si no se respetan las instrucciones del manual.

Nota: Se usa para proporcionar más información necesaria en una situación determinada.

Instrucciones generales de seguridad del producto



ADVERTENCIA: Lea todas las advertencias de seguridad, instrucciones, ilustraciones y especificaciones que se incluyen con este producto. Si no se siguen las instrucciones que aparecen a continuación, puede producirse una descarga eléctrica, un incendio o lesiones graves.

Conserve todas las advertencias e instrucciones para su consulta. El término «producto» empleado en las advertencias hace referencia tanto al producto que funciona con conexión eléctrica a la red (con cable) como al que funciona con batería (inalámbrico).

Seguridad en el área de trabajo

- **Mantenga el área de trabajo limpia y bien iluminada.** Las zonas abarrotadas de cosas u oscuras favorecen los accidentes.
- **No utilice el producto en ambientes explosivos como aquellos en los que hay líquidos, gases o polvo inflamables.** El producto produce chispas que pueden inflamar el polvo o los vapores.
- **Mantenga alejados a los niños y a otras personas mientras utiliza el producto.** Las distracciones pueden hacer que pierda el control de esta.

Seguridad eléctrica

- **El enchufe del producto debe ser apto para la toma de corriente utilizada. Nunca modifique el enchufe. No utilice adaptadores en productos con conexión a tierra.** Los enchufes sin modificar y las tomas de corriente del mismo tipo ayudan a reducir el riesgo de descarga eléctrica.
- **Evite el contacto de su cuerpo con superficies puestas a tierra como tuberías, radiadores, cocinas y neveras.** Si su cuerpo está en contacto con el suelo, existe un mayor riesgo de descarga eléctrica.
- **No exponga el producto a la lluvia ni a ambientes húmedos.** Si entra agua en el producto, aumentará el riesgo de recibir descargas eléctricas.
- **Maneje el cable con cuidado. No lo utilice nunca para transportar el producto, tirar de él o desenchufarlo.** Manténgalo alejado de fuentes de calor, aceite, aristas vivas o piezas móviles. Los cables dañados o enredados incrementan el riesgo de descarga eléctrica.
- **Cuando trabaje con un producto en exteriores, utilice un alargador apto para exteriores.** Utilizar un cable adecuado para su uso en exteriores reduce el riesgo de descarga eléctrica.
- **Si es necesario utilizar el producto en un lugar húmedo, utilice un interruptor diferencial como protección.** La utilización de un interruptor diferencial reduce el riesgo de descargas eléctricas.

Seguridad personal

- **Esté siempre atento, fíjese en lo que está haciendo y utilice el sentido común cuando maneje el producto. No utilice el producto si está cansado o bajo los efectos de estupefacientes, alcohol o medicamentos.** Un momento de descuido puede causar lesiones graves.
- **Utilice el equipo de protección personal. Protéjase siempre los ojos.** El equipo de protección, como la mascarilla antipolvo, los zapatos de seguridad antideslizantes, el casco o los protectores auditivos, utilizados en función de las condiciones de trabajo, reducirá el riesgo de lesiones.
- **Evite el encendido accidental de la herramienta. Asegúrese de que el interruptor está en la posición de apagado antes de conectar el producto a la fuente de alimentación o la batería, cogerlo o transportarlo.** Transportar el producto con el dedo puesto sobre el interruptor o conectar la alimentación con el interruptor en la posición de encendido puede provocar accidentes.
- **Quite todas las clavijas de ajuste o llaves de tuercas antes de encender el producto.** Una llave de tuercas o clavija de ajuste que se ha dejado colocada en una pieza giratoria del producto puede causar lesiones.
- **No se estire demasiado. Mantenga una posición correcta y el equilibrio en todo momento.** Así podrá controlar mejor el producto en situaciones imprevistas.
- **Utilice la ropa adecuada. No utilice nunca ropa amplia ni joyas. Mantenga el pelo y la ropa alejados de las piezas móviles.** La ropa holgada, las joyas o el pelo largo pueden quedar atrapados en las piezas móviles.
- **Si se suministran equipos de aspiración o captación de polvo, asegúrese de que estén conectados y se utilicen correctamente.** El uso de estos equipos puede reducir los riesgos derivados del polvo.
- **Evite que la familiaridad adquirida con el uso frecuente del producto le lleve a confiarse e ignorar las medidas de seguridad del mismo.** Una acción negligente puede causar lesiones graves en una fracción de segundo.

Uso y cuidado del producto

- **No fuerce el producto. Utilice el producto adecuado para el trabajo que deba realizar.** Con el producto apropiado hará el trabajo mejor y con mayor seguridad a la potencia para la que fue diseñado.
- **No utilice el producto si el interruptor no funciona.** Los productos que no se puedan controlar con el interruptor son peligrosos y deben repararse.
- **Desconecte el enchufe de la fuente de alimentación o quite la batería del producto, si se puede, antes de realizar cualquier ajuste, cambiar accesorios o guardar el producto.** Las medidas de seguridad preventivas reducen el riesgo de poner en marcha el producto de forma accidental.

- **Si no utiliza el producto, guárdelo fuera del alcance de los niños y no permita que personas no familiarizadas con su uso o con estas instrucciones lo manejen.** El producto puede ser peligroso en manos de usuarios no cualificados.
- **Efectúe el mantenimiento del producto y de los accesorios.** Compruebe que no haya partes móviles mal alineadas o trabadas, piezas rotas o cualquier otra circunstancia que pueda afectar al funcionamiento del producto. Si detecta daños, lleve el producto a reparar antes de usarlo. Muchos accidentes se deben al uso de productos que carecen de un mantenimiento adecuado.
- **Mantenga las herramientas de corte afiladas y limpias.** Las herramientas de corte con aristas afiladas y un mantenimiento adecuado tienen menos probabilidades de trabarse y son más fáciles de controlar.
- **Utilice el producto, accesorios, útiles, etc., según se indica en estas instrucciones, teniendo en cuenta las condiciones de trabajo y la tarea que debe realizar.** El uso del producto para trabajos distintos a aquellos para los que fue diseñado podría dar lugar a situaciones peligrosas.
- **Mantenga los mangos y superficies de agarre secos, limpios y sin aceite ni grasa.** Las superficies de agarre y los mangos resbaladizos no permiten manejar y controlar de forma segura el producto ante cualquier imprevisto.

Uso y cuidado de la herramienta con batería

- **Efectúe las recargas únicamente con el cargador especificado por el fabricante.** Un cargador apto para un tipo de batería puede comportar riesgo de incendio al utilizarse con otra batería distinta.
 - **Utilice los productos exclusivamente con su batería específica.** El uso de otra batería puede comportar riesgo de lesiones e incendio.
 - **Cuando no utilice la batería, manténgala alejada de objetos metálicos que puedan conectar un terminal a otro, como clips, monedas, llaves, clavos, tornillos u otros objetos metálicos pequeños.** Un cortocircuito en los terminales de la batería puede causar quemaduras o un incendio.
 - **En condiciones extremas, el líquido puede salir expulsado de la batería; evite cualquier contacto. Si se produjera un contacto accidentalmente, enjuáguese con agua. Además, si el líquido entra en contacto con los ojos, busque asistencia médica.** El líquido expulsado de la batería puede causar irritaciones o quemaduras.
 - **No utilice una batería o herramienta defectuosa, dañada o modificada.** Las baterías dañadas o modificadas pueden comportarse de forma impredecible y provocar incendios, explosiones o riesgo de lesiones.
 - **No exponga la batería o la herramienta al fuego ni a temperaturas excesivas.** La exposición al fuego o a temperaturas superiores a 130 °C/265 °F puede causar una explosión.
- **Siga todas las instrucciones de carga y no cargue la batería o herramienta fuera del rango de temperatura especificado en las instrucciones.** La carga incorrecta o a temperaturas fuera del intervalo especificado puede dañar la batería y aumentar el riesgo de incendio.

Servicio

- **Solo técnicos cualificados que utilicen piezas de repuesto originales deben llevar a cabo las tareas de mantenimiento del producto.** De este modo se garantiza la seguridad del producto.
- **No revise baterías dañadas.** La revisión de las baterías solo debe realizarla el fabricante o un proveedor de servicio autorizado.

Advertencias de seguridad sobre el cortacésped

- **No utilice el cortacésped con condiciones meteorológicas adversas, especialmente si hay riesgo de tormenta eléctrica.** Así disminuirá el riesgo de recibir un rayo.
- **Inspeccione a fondo la zona donde se va a utilizar el cortacésped por si hubiera animales.** El cortacésped puede ser peligroso para los animales durante su funcionamiento.
- **Inspeccione a fondo la zona donde va a utilizar el cortacésped y retire todas las piedras, palos, alambres, huesos y cualquier otro objeto extraño.** Los objetos que salen despedidos pueden provocar lesiones.
- **Antes de utilizar el cortacésped, inspecciónelo visualmente para comprobar que la cuchilla y el conjunto de la cuchilla no están desgastados ni dañados.** Las piezas dañadas o desgastadas aumentan el riesgo de lesiones.
- **Compruebe el recogedor de césped con frecuencia para ver si presenta desgaste o deterioro.** Un recogedor de césped desgastado o dañado puede aumentar el riesgo de lesiones.
- **Mantenga las protecciones colocadas en su lugar. Las protecciones deben estar en buen estado y montadas correctamente.** Una protección suelta, dañada o que no funcione correctamente puede provocar lesiones.
- **Mantenga las entradas de refrigeración limpias de todo tipo de suciedad.** Las entradas de aire obstruidas y los residuos pueden provocar el sobrecalentamiento de la máquina o riesgo de incendio.
- **Durante el funcionamiento del cortacésped, use siempre calzado antideslizante y de protección. No utilice el cortacésped sin calzado o con sandalias abiertas.** Así reducirá la posibilidad de sufrir lesiones en los pies por contacto con la cuchilla.
- **Cuando utilice el cortacésped, use siempre pantalones largos.** La piel expuesta aumenta la probabilidad de sufrir lesiones por objetos que pueden salir despedidos.

- **No utilice el cortacésped en hierba húmeda. Camine, en ningún caso corra.** Así reducirá el riesgo de resbalones y caídas, lo que puede provocar lesiones.
- **No utilice el cortacésped en pendientes excesivamente pronunciadas.** Así reducirá el riesgo de perder el control, resbalar o caer, lo que puede provocar lesiones.
- **Cuando trabaje en pendientes, asegúrese siempre de tener los pies firmemente asentados, trabaje siempre en perpendicular a la superficie de las pendientes, nunca hacia arriba o hacia abajo, y extreme la precaución al cambiar de dirección.** Así reducirá el riesgo de perder el control, resbalar o caer, lo que puede provocar lesiones.
- **Sea extremadamente prudente cuando dé marcha atrás o tire del cortacésped hacia usted. Sea siempre consciente del espacio que le rodea.** Así reducirá el riesgo de tropezar durante el uso de la máquina.
- **No toque las cuchillas ni otras piezas peligrosas mientras estén en movimiento.** Así reducirá el riesgo de sufrir lesiones por contacto con piezas móviles.
- **Al retirar material atascado o limpiar el cortacésped, asegúrese de que todos los interruptores de alimentación estén apagados y el cable de alimentación esté desconectado.** El funcionamiento imprevisto del cortacésped puede provocar lesiones graves.
- Tenga en cuenta que el usuario será el responsable de los accidentes que involucren a otras personas o a su propiedad.
- Mantenga el producto limpio. Asegúrese de que puede leer claramente las etiquetas.
- No permita que niños ni adultos que no estén familiarizados con estas instrucciones utilicen el aparato. La legislación local puede restringir la edad del operador.
- Si una persona con discapacidad física o mental usa el producto, asegúrese de supervisarla en todo momento. Debe haber presente en todo momento una persona mayor de edad responsable.
- No utilice el producto si está cansado, enfermo o si se encuentra bajo los efectos de alcohol, drogas o medicamentos. Esto tiene un efecto negativo en su visión, vigilancia, coordinación y capacidad de decisión.
- No utilice el producto si está defectuoso.
- No modifique este producto ni lo utilice si puede haber sido modificado por otras personas.

Seguridad en el trabajo



ADVERTENCIA: Lea las siguientes instrucciones de advertencia antes de utilizar el producto.

- Utilice este producto para cortar solamente césped. No está permitido utilizar el producto para otras tareas.
- Utilice el equipo de protección personal. Consulte la sección *Equipo de protección personal en la página 147*.
- Asegúrese de que sabe cómo detener el motor rápidamente en caso de emergencia.
- No utilice el producto bajo la lluvia ni en ambientes húmedos. El riesgo de sacudida eléctrica aumenta si entra agua en el producto.
- No utilice el producto a menos que la cuchilla y todas las cubiertas estén fijadas correctamente. Una cuchilla fijada incorrectamente puede soltarse y provocar daños personales.
- Asegúrese de que la cuchilla no golpea ningún objeto, como piedras y raíces. Esto puede causar daños a la cuchilla y doblar el eje del motor. Un eje doblado causa vibraciones excesivas y un riesgo muy alto de que la cuchilla se suelte.
- Si la cuchilla choca con algún objeto o si se producen vibraciones, pare el producto inmediatamente. Detenga el motor, gire la llave de seguridad a la posición 0 y retire la batería. Espere hasta que las piezas móviles se detengan. Examine el producto para comprobar si presenta daños. Apriete las piezas sueltas. Repare los daños y cambie las piezas dañadas. Lleve el cortacésped a un taller de servicio homologado para que hagan las reparaciones.

Interruptor diferencial

- Utilice un interruptor diferencial con una corriente de activación máxima de 30 mA.

Instrucciones generales de seguridad



ADVERTENCIA: Lea las siguientes instrucciones de advertencia antes de utilizar el producto.

- Este producto es una herramienta peligrosa si se usa incorrectamente o si no se tiene cuidado. Puede causar lesiones graves o incluso la muerte si no siguen las instrucciones de seguridad.
- Este producto genera un campo electromagnético durante el funcionamiento. Este campo puede, en determinadas circunstancias, interferir en implantes médicos activos o pasivos. Para reducir el riesgo de que se den condiciones que provocarían lesiones graves o letales, las personas que utilizan implantes médicos deben consultar con su médico y con el fabricante del implante antes de poner en marcha este producto.
- Proceda siempre con cuidado y utilice siempre el sentido común. Si no está seguro de cómo manejar el producto en una situación especial, pare y consulte con su distribuidor Husqvarna antes de continuar.

- No acople la palanca del freno del motor permanentemente al manillar cuando el motor esté encendido.
- Ponga el producto en una superficie plana y estable, y arránquelo. Asegúrese de que la cuchilla no entre en contacto con el suelo u otros objetos.
- Manténgase siempre detrás del producto durante su uso.
- Mientras utilice el producto, mantenga todas las ruedas apoyadas en el suelo y las dos manos en el manillar. Mantenga alejadas las manos y los pies de las hojas giratorias.
- No incline el producto cuando arranque el motor ni durante su uso.
- Tenga cuidado cuando tire del producto hacia atrás.
- Nunca levante el producto con el motor en marcha. Si tiene que levantar el producto, en primer lugar detenga el motor, gire la llave de seguridad a la posición 0 y retire la batería.
- No camine hacia atrás mientras utiliza el producto.
- Pare el motor cuando sea necesario inclinar el producto para transportarlo o para llevarlo por zonas sin hierba, como caminos de grava, piedra y asfalto.
- No corra con el producto con el motor en marcha. Camine siempre mientras utiliza el producto.
- Detenga el motor antes de cambiar la altura de corte. Nunca realice ajustes con el motor en marcha.
- No deje el producto desatendido con el motor en marcha. Pare el motor y asegúrese de que el equipo de corte no gire.
- Las vibraciones del producto durante el funcionamiento pueden ser diferentes del valor de vibraciones declarado en *Datos técnicos en la página 158*. La diferencia se debe a las variaciones en la forma en la que se utiliza el producto. Si utiliza el producto con frecuencia o durante largos periodos de tiempo, haga descansos con frecuencia para evitar lesiones por vibraciones.

Instrucciones de seguridad para el funcionamiento

Equipo de protección personal



ADVERTENCIA: Lea las siguientes instrucciones de advertencia antes de utilizar el producto.

- El equipo de protección personal no elimina completamente el riesgo de lesiones, pero reduce la gravedad de las lesiones en caso de accidente. Deje que el distribuidor le ayude a seleccionar el equipo adecuado.
- Utilice botas o zapatos de trabajo antideslizantes. No utilice calzado abierto ni vaya descalzo.
- Utilice pantalones largos gruesos.
- Utilice guantes protectores cuando sea necesario, por ejemplo, para el montaje, inspección o limpieza del equipo de corte.

- Recomendamos utilizar protectores auriculares.

Dispositivos de seguridad en el producto



ADVERTENCIA: Lea las siguientes instrucciones de advertencia antes de utilizar el producto.

- No utilice un producto que tenga dispositivos de seguridad defectuosos.
- No retire los dispositivos de seguridad ni realice cambios en ellos.
- Realice una comprobación de los dispositivos de seguridad con frecuencia. Si los dispositivos de seguridad están defectuosos, hable con su taller de servicio Husqvarna.

Comprobación de la cubierta del equipo de corte

La cubierta del equipo de corte disminuye las vibraciones en el producto y el riesgo de lesiones provocadas por la cuchilla.

- Examine la cubierta de corte para asegurarse de que no haya daños como, por ejemplo, grietas.

Comprobación de la llave de seguridad

La llave de seguridad se encuentra debajo de la tapa de la batería. La llave de seguridad conecta la batería que suministra electricidad al motor.

- Arranque y detenga el motor para realizar una comprobación de la llave de seguridad.
- Si la llave de seguridad funciona correctamente, el motor solo arranca cuando la llave está en la posición 1. (Fig. 24)

Comprobación de la maneta de freno del motor

La maneta del freno del motor detiene el motor. Cuando se suelta la maneta del freno del motor, el motor se para.

- Arranque el producto. Consulte la sección *Puesta en marcha del producto en la página 152*.
- Suelte la palanca del freno del motor. (Fig. 25)
- Asegúrese de que el producto se detiene. Si el motor no se detiene en 3 segundos, lleve el producto a un taller de servicio Husqvarna autorizado para realizar el ajuste del freno del motor.

Comprobación del inhibidor de arranque

Compruebe el inhibidor de arranque para verificar que evita el funcionamiento del motor.

1. Empuje la palanca del freno del motor hacia el manillar. El inhibidor de arranque impide el movimiento.
2. Empuje el inhibidor de arranque hacia fuera. (Fig. 26)

3. Suelte el inhibidor de arranque y asegúrese de que regresa a su posición inicial.

Seguridad de la batería



ADVERTENCIA: Lea tanto las instrucciones de seguridad como las generales. No atender a estas instrucciones puede provocar descargas eléctricas, incendios o lesiones graves. **Conservar toda la información de seguridad y las instrucciones generales para futuras consultas.**

- Estas instrucciones de seguridad son válidas solamente para las baterías recargables de ion-litio de 18 V que utilicen el sistema POWER FOR ALL.
- Use la batería recargable solamente en productos de socios que utilicen el sistema POWER FOR ALL. Las baterías recargables de 18 V con la etiqueta POWER FOR ALL son totalmente compatibles con los siguientes productos:
 - Todos los productos que utilicen el sistema de batería POWER FOR ALL de 18 V.
 - Todos los productos de 18 V de socios que utilicen el sistema POWER FOR ALL.
- Siga las recomendaciones sobre la batería que se encuentran en el libro de instrucciones del producto. Solo de esta forma se podrán utilizar la batería recargable y el producto sin peligro alguno, y las baterías recargables estarán protegidas contra sobrecargas peligrosas.
- Cargue las baterías únicamente con cargadores recomendados por el fabricante o por los socios que utilicen el sistema POWER FOR ALL. Un cargador adecuado para un tipo de batería puede suponer un riesgo de incendio si se utiliza con una batería diferente.
- La batería se suministra parcialmente cargada. Para garantizar la máxima capacidad de la batería, cárguela completamente con el cargador antes de utilizar la herramienta eléctrica por primera vez.
- Guarde las baterías fuera del alcance de los niños.
- No abra la batería. Existe riesgo de cortocircuito.
- En caso de daños o uso inadecuado, la batería puede emitir vapores. La batería puede incendiarse o explotar. Si experimenta cualquier efecto adverso, asegúrese de que la zona esté bien ventilada y busque atención médica. Los vapores pueden irritar el sistema respiratorio.
- Si la batería se utiliza de forma incorrecta o si está dañada, puede expulsar líquido inflamable. Debe evitarse el contacto con este líquido. Si se produjera un contacto accidental, enjuague con agua. Si el líquido entra en contacto con los ojos, busque atención médica. El líquido expulsado de la batería puede causar irritaciones o quemaduras.
- Si la batería está dañada, puede expulsar líquido y cubrir las superficies cercanas. Compruebe las

piezas afectadas. Limpie esas piezas o cámbielas si es necesario.

- No provoque cortocircuitos en la batería. Cuando no utilice la batería, manténgala alejada de objetos metálicos que puedan poner en contacto un terminal con otro, como clips, monedas, llaves, clavos, tornillos u otros objetos metálicos pequeños. Un cortocircuito en los terminales de la batería puede causar quemaduras o un incendio.
- La batería puede resultar dañada por objetos puntiagudos, como clavos o destornilladores, o por fuerza aplicada externamente. Se puede producir un cortocircuito interno que provoque que la batería se incendie, humee, explote o se sobrecaliente.
- No realice ningún mantenimiento en baterías dañadas. La revisión y reparación de las baterías solo debe realizarla el fabricante o proveedores de servicios autorizados.
- Proteja la batería del calor, por ejemplo, de la luz solar directa y continua, del fuego, la suciedad, el agua y la humedad. Existe riesgo de explosión o cortocircuito.
- Utilice la batería en el producto únicamente cuando la temperatura ambiente sea de 0 °C – +40 °C.
- Guarde la batería únicamente a una temperatura ambiente de -20 °C – +50 °C. Por ejemplo, no deje la batería en el coche en verano. Con temperaturas por debajo de los 0 °C, algunos dispositivos pueden experimentar una pérdida de potencia.
- Cargue la batería únicamente a una temperatura ambiente comprendida entre 0 °C y +35 °C. Cargue la batería recargable con un cable USB únicamente a una temperatura ambiente comprendida entre +10 °C y +35 °C. La carga fuera de este intervalo de temperaturas puede aumentar el riesgo de daños en la batería y suponer un riesgo de incendio.

Seguridad del cargador de batería



ADVERTENCIA: Lea tanto las instrucciones de seguridad como las generales. No atender a estas instrucciones puede provocar descargas eléctricas, incendios o lesiones graves. **Conservar estas instrucciones en un lugar seguro.** Utilice el cargador únicamente si puede evaluar todas las funciones y utilizarlas sin restricciones o si ha recibido las instrucciones correspondientes.

- Este cargador no ha sido diseñado para ser utilizado por niños o personas con limitaciones físicas, sensoriales o mentales o con falta de experiencia o conocimientos. Este cargador puede ser utilizado por niños mayores de 8 años y por personas con limitaciones físicas, sensoriales o mentales o con falta de experiencia o conocimientos solo bajo la supervisión de una persona responsable de su seguridad o si han recibido instrucciones sobre el funcionamiento seguro del cargador y

comprenden los peligros asociados. De lo contrario, existe el riesgo de que se produzcan errores de funcionamiento y lesiones.

- **Supervise a los niños durante el uso, limpieza y mantenimiento.** Esto garantizará que los niños no jueguen con el cargador.
- **Cargue exclusivamente las baterías del sistema POWER FOR ALL de 18 V con una capacidad de 1,5 Ah. La tensión de la batería debe coincidir con la tensión de carga del cargador. No cargue nunca baterías no recargables.** De otro modo, existe el riesgo de que se incendien o exploten.
- **Utilice el cargador solo en espacios cerrados y no lo exponga a la humedad.** El riesgo de recibir descargas eléctricas aumentará si penetra agua en la herramienta eléctrica.
- **Mantenga el cargador limpio.** La suciedad supone un riesgo de descarga eléctrica.
- **Compruebe siempre el cargador, el cable y el enchufe antes de su uso. Deje de utilizar el cargador si detecta algún daño. No desmonte el cargador. Solo Husqvarna o un taller de servicio postventa autorizado pueden realizar las reparaciones necesarias exclusivamente con piezas de repuesto originales.** Los cargadores, cables y enchufes dañados aumentan el riesgo de descarga eléctrica.
- **No utilice el cargador sobre una superficie fácilmente inflamable (por ejemplo, papel, tejidos, etc.) ni en un entorno inflamable.** Existe riesgo de incendio debido al calentamiento del cargador durante el funcionamiento.
- **No cubra las ranuras de ventilación del cargador.** De lo contrario, podría sobrecalentarse y dejar de funcionar correctamente.
- **Efectúe las recargas únicamente con el cargador especificado por el fabricante.** Un cargador apto para un tipo de batería puede comportar riesgo de incendio al utilizarse con otra batería distinta.
- **En caso de daños o uso inadecuado, la batería también puede emitir vapores.** Si experimenta cualquier efecto adverso, asegúrese de que la zona esté bien ventilada y busque atención médica. Los vapores pueden irritar el sistema respiratorio.
- **En condiciones extremas, la batería puede expulsar líquido. Debe evitarse el contacto con este líquido. Si se produjera un contacto accidental, enjuague con agua. Si el líquido entra en contacto con los ojos, busque atención médica.** El líquido expulsado de la batería puede causar irritaciones o quemaduras.
- **Productos vendidos sólo en Reino Unido:** Su producto está equipado con un enchufe eléctrico con homologación BS 1363/A con fusible interno (aprobación ASTA conforme a BS 1362). Si el enchufe no es adecuado para sus tomas

de corriente, un agente de atención al cliente autorizado deberá sustituirlo por un enchufe apropiado. El enchufe de repuesto debe tener un fusible del mismo valor nominal que el enchufe original. El enchufe cortado debe desecharse para evitar posibles descargas eléctricas y nunca debe insertarse en una toma eléctrica en otro lugar.

Instrucciones de seguridad para el mantenimiento



ADVERTENCIA: Lea las siguientes instrucciones de advertencia antes de utilizar el producto.

- Para evitar el arranque accidental durante el mantenimiento, gire la llave de seguridad a la posición 0 y retire la batería. Espere al menos 5 segundos antes de empezar los trabajos de mantenimiento.
- Realice únicamente las tareas de mantenimiento que figuran en este manual de usuario. Las tareas de mayor envergadura y las reparaciones profesionales se deben realizar en un taller de servicio autorizado. Póngase en contacto con su taller de servicio más cercano para obtener más información.
- Realice los trabajos de mantenimiento correctamente para aumentar la vida útil del producto y reducir el riesgo de accidentes.
- Cambie las piezas dañadas, desgastadas o rotas. Utilice siempre piezas de repuesto originales del fabricante. Si utiliza otras piezas de repuesto podría dañar el producto y aumentaría el riesgo de accidentes.
- No retire los dispositivos de seguridad ni realice cambios en ellos para prevenir lesiones.
- Utilice guantes resistentes al utilizar el equipo de corte. La cuchilla está muy afilada y se pueden producir cortes con mucha facilidad.
- Mantenga los bordes cortantes afilados y limpios para obtener los mejores resultados con la máxima seguridad.
- Diríjase a su taller de servicio para que examine el producto regularmente y para que realice ajustes y reparaciones necesarios.
- Respete las instrucciones correspondientes al cambio de accesorios. Utilice únicamente los accesorios del fabricante.
- Cuando no esté en funcionamiento, mantenga el producto, la batería y cargador de batería aparte en un lugar seco, interior y bajo llave. Asegúrese de que los niños y personas que no cuenten con autorización no puedan acceder al producto, la batería o el cargador de batería.

Montaje

Introducción



ADVERTENCIA: Antes de montar este producto, lea el capítulo sobre seguridad.



ADVERTENCIA: Para evitar un arranque accidental durante el montaje, gire la llave de seguridad hasta la posición 0, retire la batería y espere al menos 5 segundos.

Regulación de la altura del manillar

El producto tiene un intervalo de ajuste de altura del manillar. La altura del manillar puede ajustarse dentro de un intervalo comprendido entre 2 puntos de ajuste.

1. Coloque el producto en la posición de funcionamiento. Consulte *Ajuste del producto en la posición de funcionamiento en la página 151*.
2. Gire los mandos de bloqueo del manillar hacia la izquierda. (Fig. 27)
3. Tire del manillar hasta una posición adecuada.
4. Nivele los 2 extremos del manillar.



PRECAUCIÓN: Si el manillar no está nivelado, el producto se dañará.

5. Gire los mandos de bloqueo del manillar hacia la derecha.
6. Apriete los mandos de bloqueo a fondo.

Instalación del recogedor de césped

1. Levante la cubierta trasera.
2. Retire el accesorio triturador.

3. Encaje el recogedor de césped en el borde superior del chasis.
4. Coloque la parte inferior del recogedor de césped contra el canal de descarga. (Fig. 28)



PRECAUCIÓN: Asegúrese de que el recogedor de césped está correctamente fijado al chasis del producto.

Instalación del accesorio triturador

1. Levante la cubierta trasera y extraiga el recogedor de césped.
2. Inserte el accesorio triturador en el canal de descarga hasta que oiga un clic. (Fig. 29)

Instalación del gancho en la pared

- Instale el gancho solo en interiores.
- Mantenga el gancho alejado de la luz solar y a una temperatura ambiente de entre -10 °C y +70 °C.
- Instale el gancho en una pared hecha de placas de cartón yeso, madera, ladrillo u hormigón.



PRECAUCIÓN: Asegúrese de que la pared pueda soportar cargas de al menos 30 kg.

- Instale el producto en la pared con los 3 tornillos (A). Utilice tacos (B) si es necesario. (Fig. 30)



PRECAUCIÓN: Asegúrese de que los tornillos son adecuados para su tipo de pared.

- Póngase en contacto con el representante de Husqvarna para obtener información sobre los accesorios de almacenamiento disponibles para el producto.

Funcionamiento

Introducción



ADVERTENCIA: Antes de utilizar el producto, debe leer y entender el capítulo sobre seguridad.

Husqvarna Connect

Husqvarna Connect es una aplicación gratuita para su dispositivo móvil. La aplicación Husqvarna Connect proporciona más funciones para su producto Husqvarna:

- Información ampliada sobre el producto.

- Información y asistencia sobre piezas y mantenimiento de productos.

Uso de Husqvarna Connect

1. Descargue la aplicación Husqvarna Connect en su dispositivo móvil.
2. Registre una cuenta en la aplicación Husqvarna Connect.
3. Siga las instrucciones de la aplicación Husqvarna Connect para conectarse y registrar el producto.

Nota: La aplicación Husqvarna Connect no se puede descargar en todos los mercados. Póngase

en contacto con su distribuidor para obtener más información.

Ajuste del producto en la posición de funcionamiento

1. Gire las tuercas mariposa del manillar a la posición de desbloqueo. (Fig. 31)
2. Despliegue el manillar hacia arriba hasta que oiga un clic. (Fig. 32)



PRECAUCIÓN: Asegúrese de que los cables no estén demasiado tensos. Una tensión excesiva puede provocar daños en el cable si el manillar se pliega en la posición de transporte.



ADVERTENCIA: Asegúrese de que el manillar está completamente plegado y bloqueado.

3. Regule la altura del manillar. Consulte *Regulación de la altura del manillar en la página 150*.

Ajuste de la altura de corte

1. Mueva la palanca de altura de corte hacia atrás para aumentar la altura de corte.
2. Mueva la palanca de altura de corte hacia delante para reducir la altura de corte. (Fig. 33)



PRECAUCIÓN: No ajuste una altura de corte demasiado baja. Las cuchillas pueden golpear el suelo si la superficie del césped no está nivelada.

Batería



ADVERTENCIA: Antes de usar la batería, debe leer y entender el capítulo sobre seguridad. También debe leer y comprender el manual de usuario de la batería y el cargador de batería.

Mantenga la batería y el cargador de batería en lugares con una temperatura ambiente correcta.

| | Temperatura ambiente |
|---|----------------------|
| Funcionamiento de la batería en el producto | 0 °C – +40 °C |
| Carga de la batería | 0 °C – +35 °C |

Carga de la batería

Cargue la batería antes de utilizarla por primera vez.

Nota: El proceso de carga solo es posible cuando la temperatura de la batería se encuentra dentro del intervalo de temperaturas de carga permitido (de 0 °C a 45 °C).

1. Conecte el cable de alimentación del cargador de batería a una toma de corriente con tierra.



PRECAUCIÓN: Asegúrese de que la red eléctrica tiene la tensión y la frecuencia correctas.

2. Coloque la batería en el cargador. La batería está conectada al cargador de batería cuando el LED verde parpadea. (Fig. 34)
3. La batería está completamente cargada cuando el LED verde del cargador se enciende. Cargue la batería durante un máximo de 24 horas.
4. Desenchufe el cargador de batería de la red eléctrica.



PRECAUCIÓN: No tire del cable de alimentación.

5. Retire la batería del cargador.

LED de estado de la batería en el cargador de batería

El LED rojo (A) y el LED verde (B) del cargador de batería muestran el estado de la batería. Consulte *Resolución de problemas del cargador de batería en la página 154*.

(Fig. 35)

| LED | Estado de la batería |
|------------------------------------|--|
| El LED verde parpadea rápidamente. | La batería está cargando. |
| El LED verde parpadea lentamente. | La batería tiene una carga del 80 %. |
| El LED verde está encendido fijo. | La batería está completamente cargada. |
| El LED rojo está encendido. | Consulte <i>Resolución de problemas del cargador de batería en la página 154</i> . |
| El LED rojo parpadea rápidamente. | Consulte <i>Resolución de problemas del cargador de batería en la página 154</i> . |

LED de estado de la batería en el producto

Cuando la batería está instalada en el producto, los LED del producto muestran el estado de la batería.

(Fig. 36)

| LED | Estado de la batería |
|--------------------------|--|
| LED 1, 2 y 3 encendidos. | Completamente cargada. |
| LED 1 y 2 encendidos. | Carga suficiente |
| LED 1 encendido. | La carga de la batería es baja. |
| LED 1 parpadeando. | La batería está descargada. El indicador de estado de la batería parpadea. Cargue la batería. Consulte <i>Carga de la batería en la página 151</i> . |

Puesta en marcha del producto

1. Abra la tapa de la batería.
2. Coloque una batería cargada en el compartimento de la batería.
3. Gire la llave de seguridad a la posición 1. (Fig. 37)
4. Permanezca detrás del producto.
5. Afloje el inhibidor de arranque. (Fig. 26)
6. Empuje la palanca del freno del motor hacia el manillar. (Fig. 38)

Función de carga alta

Cuando el producto corta hierba larga o húmeda, el motor aumenta automáticamente las revoluciones. El motor regresa al modo normal cuando no se necesitan cargas altas.

Parada del motor

Durante el funcionamiento, la cuchilla y el motor pueden detenerse temporalmente debido a obstáculos como la acumulación de hierba bajo la cubierta del equipo de corte. Consulte *Limpieza del producto en la página 153*.



ADVERTENCIA: Antes de inspeccionar la cubierta del equipo de corte,

suelte la palanca del freno del motor, gire la llave de seguridad a la posición 0, retire la batería y espere al menos 5 segundos. Si al intentar retirar los obstáculos, el producto se pusiera en marcha accidentalmente, podría sufrir lesiones.

Parada del producto



ADVERTENCIA: Gire la llave de seguridad a la posición 0 antes de dejar el producto fuera de la vista.

1. Suelte la palanca del freno del motor para detener el motor. (Fig. 39)
2. Abra la tapa de la batería y gire la llave de seguridad a la posición 0. (Fig. 40)
3. Para extraer la batería, presione el botón de liberación y tire de ella hacia fuera. (Fig. 41)
4. Cargue la batería si el nivel de carga es bajo. Para obtener más información, consulte *Carga de la batería en la página 151*.

Para obtener un buen resultado

- Use siempre una cuchilla afilada. Una cuchilla roma proporciona un resultado irregular y la superficie de corte de la hierba adquiere un tono amarillo. Una cuchilla afilada también utiliza menos energía que una cuchilla roma.
- No corte más de $\frac{1}{3}$ de la longitud del césped. Corte primero con una altura de corte alta. Examine el resultado y baje la altura de corte al nivel que corresponda. Si la hierba está muy larga, vaya despacio y corte dos veces si es necesario.
- Corte en direcciones distintas cada vez para evitar crear rayas en el césped.
- Mantenga limpia la cubierta del equipo de corte. La acumulación de hierba y suciedad en el interior de esta cubierta puede reducir el resultado del corte. Consulte la sección *Limpieza del producto en la página 153*.

Mantenimiento

Introducción



ADVERTENCIA: Antes de realizar cualquier trabajo de mantenimiento, debe leer y entender el capítulo sobre seguridad.

Para todos los trabajos de mantenimiento y reparación del producto, es necesario realizar una formación especial. Nosotros garantizamos que los trabajos de mantenimiento y reparación sean realizados por profesionales. Si su distribuidor no es un taller de servicio, pídale información sobre el taller de servicio más cercano.

Programa de mantenimiento

Los intervalos de mantenimiento se calculan a partir del uso diario del producto. Los intervalos cambian si el producto no se utiliza a diario.

| | En cada uso | Mensualmente | Cada temporada |
|---|-------------|--------------|----------------|
| Realice una inspección general. | X | | |
| Limpie el producto. | X | | |
| Compruebe el inhibidor de arranque. * | X | | |
| Asegúrese de que los dispositivos de seguridad del producto no estén defectuosos. * | X | | |
| Examine el equipo de corte. | X | | |
| Examine la cubierta del equipo de corte. * | X | | |
| Compruebe la palanca del freno del motor. * | X | | |
| Examine la batería en busca de posibles daños. | X | | |
| Compruebe la carga de la batería. | X | | |
| Compruebe que el botón de liberación de la batería funciona correctamente y que la batería se acopla al producto. | X | | |
| Examine el cargador de batería en busca de posibles daños y asegúrese de que funciona correctamente. | | X | |
| Examine las conexiones entre la batería y el producto. Examine también la conexión entre la batería y el cargador de batería. | | | X |

Para realizar una inspección general

- Asegúrese de que las tuercas y los tornillos del producto estén bien apretados.
- Asegúrese de que los cables del producto no están en una posición en la que puedan resultar dañados.

Limpieza del producto

- Limpie las piezas de plástico con un paño limpio y seco.
- No utilice agua para limpiar el producto. El agua puede entrar en la batería o el motor y causar un cortocircuito o daños en el producto.
- No utilice un equipo de limpieza a alta presión para limpiar el producto.
- No vierta agua directamente sobre el motor.
- Use un cepillo para retirar las hojas, la hierba y la suciedad.

Limpieza de la batería y el cargador de batería



ADVERTENCIA: No limpie la batería ni el cargador con agua.



ADVERTENCIA: No utilice sustancias químicas para limpiar la batería.

- Asegúrese de que la batería y el cargador estén limpios y secos antes de colocar la batería en el cargador.
- Limpie los bornes de la batería con aire comprimido o con un paño suave y seco.
- Limpie las superficies de la batería y el cargador con un paño suave y seco.

Para inspeccionar el equipo de corte



ADVERTENCIA: Para evitar un arranque accidental, gire la llave de seguridad hasta la posición 0, retire la batería y espere al menos 5 segundos.



ADVERTENCIA: Utilice guantes protectores cuando realice el mantenimiento del equipo de corte. La cuchilla está muy afilada y se pueden producir cortes con mucha facilidad.

1. Inspeccione el equipo de corte para comprobar si presenta daños o grietas. Sustituya siempre un equipo de corte dañado.
2. Inspeccione la cuchilla para comprobar si está dañada o roma.

Nota: Después de afilar la cuchilla, es necesario equilibrarla. El afilado, la sustitución y el equilibrado de la cuchilla deben realizarse en un centro de servicio. Si choca con un obstáculo que haga que el producto se pare, sustituya la cuchilla dañada. Lleve el producto a un centro de servicio, donde estimarán si la cuchilla puede afilarse o debe sustituirse.

Sustitución de la cuchilla

Consulte *Datos técnicos en la página 158* para saber cuál es el tipo de cuchilla correcto.



ADVERTENCIA: Bloquee la cuchilla con un bloque de madera para evitar

lesiones en los dedos mientras la sustituye. La cuchilla podría moverse con el motor apagado y los dedos podrían quedar atrapados entre la cuchilla y las piezas fijas.

1. Bloquee la cuchilla con un bloque de madera. (Fig. 42)
2. Retire el tornillo de la cuchilla.
3. Extraiga la cuchilla.
4. Examine el soporte de la cuchilla y el tornillo de la cuchilla para comprobar si presentan daños.
5. Examine el eje del motor para asegurarse de que no está doblado.
6. Cuando instale la nueva cuchilla, colóquela con los extremos en ángulo en dirección a la cubierta del equipo de corte. (Fig. 43)
7. Asegúrese de que la cuchilla quede alineada con el centro del eje del motor.
8. Bloquee la cuchilla con un bloque de madera. Coloque la arandela de presión, y apriete el tornillo y la arandela a un par de 23-28 Nm. (Fig. 44)
9. Mueva la cuchilla en distintas direcciones manualmente y compruebe que gira libremente.



ADVERTENCIA: Utilice guantes de protección de alta resistencia. La cuchilla está muy afilada y se pueden producir cortes con mucha facilidad.

10. Arranque el producto para hacer una prueba de la cuchilla. Si la cuchilla no está correctamente fijada, se producirán vibraciones en el producto o el resultado del corte no será satisfactorio.

Resolución de problemas

Resolución de problemas del cargador de batería

| LED del cargador de batería | Causa | Solución |
|--|--|--|
| El LED verde está encendido fijo y el LED rojo parpadea. | La batería no está correctamente instalada en el cargador. | Extraiga la batería del cargador e introdúzcala de nuevo. |
| | Los conectores de la batería están sucios. | Limpie los conectores de la batería. |
| | El cargador ha identificado un error interno. | Asegúrese de que todas las baterías están correctamente colocadas. Desenchufe la clavija y vuelva a enchufarla. Si el error vuelve a producirse, haga que un taller de servicio postventa autorizado de Husqvarna compruebe el cargador. |
| | La batería está defectuosa. | Sustituya la batería. |

| LED del cargador de batería | Causa | Solución |
|---|---|---|
| El LED rojo está encendido y el LED verde está apagado. | La temperatura de la batería está fuera del intervalo de carga. | Espera hasta que la temperatura de la batería vuelva a estar dentro del intervalo de temperaturas de carga permitido (de 0 °C a 45 °C). |
| El LED verde y el LED rojo están apagados. | El cargador de batería no está enchufado correctamente a la toma de corriente. | Conecte el cargador de batería a una toma de corriente. |
| | Toma de corriente averiada. | Conecte el cargador de batería con la tensión y la frecuencia que se indican en la placa de características. |
| | El cable del cargador de batería está defectuoso. | Acuda a un taller de servicio autorizado. |
| | El cargador de batería está defectuoso. | |
| Otros errores. | Si se producen otros errores, asegúrese de que el producto está apagado, quite la batería y hable con un taller de servicio autorizado. | |

Resolución de problemas del cortacésped

El indicador de advertencia (LED de error) se encuentra en la parte trasera del producto, detrás de la tapa de la batería.

| Problema | LED de error (número de parpadeos) | Causa | Solución |
|--|------------------------------------|---|--|
| El LED de error parpadea. El producto no funciona correctamente. | 5 | La cuchilla está bloqueada. | Gire la llave de seguridad a la posición 0 para evitar un arranque accidental. Extraiga la batería y espere al menos 5 segundos. Retire todos los obstáculos posibles y asegúrese de que la cuchilla pueda girar libremente. Si el problema persiste, diríjase a un taller de servicio autorizado. |
| | | El régimen del motor desciende demasiado y el motor se detiene. | Aumente la altura de corte. Consulte <i>Ajuste de la altura de corte en la página 151</i> . |
| | 10 | El control del motor está demasiado caliente. | Detenga el motor y espere hasta que se haya enfriado. |

| Problema | LED de error (número de parpadeos) | Causa | Solución |
|---|--|--|--|
| El LED de error parpadea. El producto se detiene. | 22 | La temperatura de la batería es demasiado alta debido a que la temperatura del entorno de trabajo es demasiado alta. | Retire la batería de la máquina y espere a que se enfríe antes de volver a arrancar la máquina. Asegúrese de que la temperatura ambiente sea adecuada. Utilice la batería a temperaturas entre 0 °C y +40 °C. Si el problema persiste, póngase en contacto con un taller de servicio autorizado. |
| | | La temperatura de la batería es demasiado alta debido a sobrecarga del motor | Aumente la altura de corte. Consulte <i>Ajuste de la altura de corte en la página 151</i> . Si el problema persiste, diríjase a un taller de servicio autorizado. |
| | 0 | Fallo del conector de la batería. | Examine el conector de la batería. |
| | 3 | Se ha producido una sobrecarga en el motor. | Aumente la altura de corte. Consulte <i>Ajuste de la altura de corte en la página 151</i> . |
| | 9 | Error de batería o ausencia de señal de la batería. | Coloque la batería en el producto correctamente y examine el conector de la batería. Si el LED de error de la batería parpadea, consulte <i>Resolución de problemas del cargador de batería en la página 154</i> . Si el problema persiste, diríjase a un taller de servicio autorizado. |
| | 8 | El nivel de carga de la batería es bajo. | Cargue la batería. Consulte <i>Carga de la batería en la página 151</i> . |
| | 12 | Procedimiento de arranque incorrecto. La palanca del freno del motor se ha activado antes del arranque del motor. | Suelte la palanca del freno del motor y espere aproximadamente 5 segundos. Baje la palanca del freno del motor para volver a arrancar el producto. |
| Otros errores. | Si se producen otros errores, gire la llave de seguridad a la posición 0, retire la batería y diríjase a un taller de servicio autorizado. | | |

Transporte, almacenamiento y eliminación

Introducción



ADVERTENCIA: Para evitar un arranque accidental durante el transporte o el almacenamiento, gire la llave de seguridad a la posición 0, retire la batería y espere al menos 5 segundos.

Ajuste del producto en la posición de transporte

1. Retire el recogedor de césped y asegúrese de vaciarlo.
2. Gire los mandos de bloqueo del manillar hacia la izquierda hasta la posición de desbloqueo. (Fig. 45)
3. Empuje el manillar hacia la cubierta trasera.
4. Gire los mandos de bloqueo del manillar hacia la derecha hasta la posición de bloqueo.
5. Gire las tuercas mariposa del manillar a la posición de desbloqueo. (Fig. 46)

6. Pliegue el manillar hacia abajo hasta que oiga un clic. (Fig. 47)

Consulte *Ajuste del producto en la posición de almacenamiento en la página 157* para almacenar el producto.

Transporte

- Las disposiciones de la legislación sobre mercancías peligrosas se aplican a las baterías de iones de litio incluidas en el producto.
- Para los transportes comerciales, se deben acatar los requisitos especiales sobre embalajes y etiquetas.
- Asegúrese de que se cumplan las disposiciones sobre materiales peligrosos cuando prepare el producto para su transporte. Se pueden aplicar las regulaciones locales.
- No olvide extraer la batería para el transporte.
- Coloque cinta aislante en los conectores de la batería y asegúrese de que la batería no se desplace durante el transporte.
- Fije el producto durante el transporte.

Almacenamiento

- Antes de guardarlo, espere a que el producto se enfríe.
- Extraiga siempre la batería para el almacenamiento.
- Para evitar accidentes, asegúrese de que la batería no esté conectada al producto durante los periodos de almacenamiento.
- Mantenga el cargador de batería en un lugar cerrado y seco.
- Mantenga la batería y el cargador de batería en un lugar seco donde no haya humedad ni escarcha.
- Cuando guarde la batería, desconéctela del cargador.
- No almacene la batería en lugares donde pueda generarse electricidad estática. No guarde la batería en una caja metálica.
- Cuando guarde el producto, hágalo en un lugar con una temperatura ambiente comprendida entre -20°C y $+50^{\circ}\text{C}$.
- Guarde la batería en un lugar con una temperatura ambiente comprendida entre -20°C y $+50^{\circ}\text{C}$, y protegida de la luz solar.
- Guarde el cargador de batería en un lugar seco, cerrado y sin riesgo de heladas.
- Asegúrese de que la batería esté limpia y cargada antes de almacenarla durante largos periodos de tiempo.
- Mantenga el producto, la batería y el cargador de batería en un lugar bajo llave fuera del alcance de niños y personas no autorizadas.
- Limpie el producto y no olvide vaciar el recogedor de césped.

- Lleve a cabo las tareas de mantenimiento que se indican en este manual de usuario. Consulte *Mantenimiento en la página 152*.
- Realice un mantenimiento completo del producto antes de almacenarlo durante un largo periodo de tiempo.

Ajuste del producto en la posición de almacenamiento



ADVERTENCIA: Para evitar un arranque accidental durante el transporte o el almacenamiento, gire la llave de seguridad a la posición 0, retire la batería y espere al menos 5 segundos.

1. Retire la batería.
2. Coloque el producto en la posición de transporte. Consulte *Ajuste del producto en la posición de transporte en la página 156*.
3. Traslade el producto al lugar de almacenamiento.

Almacenamiento del producto en posición horizontal en el suelo

1. Coloque el producto en la posición de almacenamiento. Consulte *Ajuste del producto en la posición de almacenamiento en la página 157*.
2. Instale el recogedor de césped. Consulte *Instalación del recogedor de césped en la página 158*.
3. Coloque el producto horizontalmente en el suelo para almacenarlo. (Fig. 48)

Almacenamiento del producto en posición vertical en el suelo

1. Coloque el producto en la posición de almacenamiento. Consulte *Ajuste del producto en la posición de almacenamiento en la página 157*.
2. Levante el producto por los puntos de elevación del manillar y colóquelo en posición vertical sobre una superficie nivelada. (Fig. 49)



ADVERTENCIA: No levante el producto por la cubierta del equipo de corte. La cuchilla está muy afilada y se pueden producir cortes con mucha facilidad.

3. Instale el recogedor de césped. Consulte *Instalación del recogedor de césped en la página 158*.
4. Asegúrese de que el producto esté en una posición estable y que las 2 patas de soporte estén en contacto con el suelo.
5. Coloque el producto verticalmente en el suelo para almacenarlo. (Fig. 50)

Almacenamiento del producto en posición vertical en el gancho suministrado



ADVERTENCIA: Cuelgue el producto en la pared únicamente con el gancho suministrado.

1. Instale el gancho suministrado. Consulte *Instalación del gancho en la pared en la página 150*.
2. Coloque el producto en la posición de almacenamiento. Consulte *Ajuste del producto en la posición de almacenamiento en la página 157*.
3. Levante el producto por los puntos de elevación del manillar. (Fig. 49)



ADVERTENCIA: No levante el producto por la cubierta del equipo de corte. La cuchilla está muy afilada y se pueden producir cortes con mucha facilidad.

4. Cuelgue el producto verticalmente en el gancho suministrado. Consulte *Instalación del gancho en la pared en la página 150*. (Fig. 51)
5. Asegúrese de que el producto cuelgue correctamente y esté estable en las 2 varillas del gancho.
6. Instale el recogedor de césped. Consulte *Instalación del recogedor de césped en la página 158*.

Instalación del recogedor de césped

1. Encaje el recogedor de césped en la ranura de la parte delantera del producto. (Fig. 52)

2. Empuje la parte inferior del recogedor de césped contra el punto de elevación hasta que oiga un clic. (Fig. 53)

Eliminación

Los símbolos del producto o en su embalaje indican que este producto no puede desecharse como residuo doméstico. Debe enviarse a una estación de reciclaje apropiada para la recuperación de piezas eléctricas y electrónicas.

Garantizar un tratamiento correcto de este producto puede ayudar a contrarrestar el posible impacto negativo para el medioambiente y las personas que podría ocasionarse por una gestión incorrecta de los residuos del mismo. Si desea información más detallada sobre el reciclaje de este producto, póngase en contacto con su ayuntamiento, el servicio de recogida de basuras o la tienda donde lo adquirió.

(Fig. 54)

Solo para países de la UE: De acuerdo con la Directiva 2006/66/CE, las baterías defectuosas o usadas deben recogerse por separado y desecharse de forma respetuosa con el medioambiente.

Solo para el Reino Unido: De acuerdo con la Normativa sobre residuos de aparatos eléctricos y electrónicos de 2009 (SI 2009/890, en su versión modificada), las baterías que ya no se puedan utilizar deben recogerse por separado y desecharse de forma respetuosa con el medioambiente.

Datos técnicos

Datos técnicos

| Aspire LC34-P4A | |
|-------------------------------------|----------------------------|
| Motor de corte | |
| Tipo de motor | BLDC (sin escobillas) 18 V |
| Régimen del motor (nominal), rpm | 3000 |
| Régimen del motor (carga alta), rpm | 3500 |
| Potencia del motor (máx.), kW | 0,7 |
| Potencia del motor (nominal), kW | 0,5 |
| Motor de accionamiento | |
| Potencia del motor (nominal), kW | N/P |
| Velocidad de movimiento, km/h | N/P |
| Niveles de ajuste de velocidad | N/P |
| Peso | |

| | |
|--|------------------------|
| | Aspire LC34-P4A |
| Peso sin bolsa (ni batería), kg | 11,5 |
| Peso con bolsa (y batería P4A 18-B72), kg | 13,5 |
| Batería | |
| Tipo de batería | iones de litio |
| Duración de la batería | |
| Duración de la batería, min. ²⁵ | 60 |
| Emisiones de ruido ²⁶ | |
| Nivel de potencia acústica medido, dB(A) | 86 |
| Nivel de potencia acústica garantizado L _{WA} dB(A) | 87 |
| Niveles acústicos ²⁷ | |
| Nivel de presión sonora en el oído del usuario, dB(A) | 74 |
| Niveles de vibración ²⁸ | |
| Manillar, m/s ² | 0,5 |
| Equipo de corte | |
| Altura de corte, mm | 30-65 |
| Anchura de corte, cm | 34 |
| Cuchilla estándar | Combi 5375561-10 |
| Cuchilla auxiliar | N/P |
| Capacidad del recogedor de césped, l | 30 |

Baterías homologadas

se recomienda utilizar baterías con un mínimo de 4,0 Ah.

Este producto se puede utilizar con todas las baterías **POWER FOR ALL**. Para obtener el mejor rendimiento,

| Batería | P4A 18-B45 | P4A 18-B72 |
|------------------------------|----------------|----------------|
| Tipo | iones de litio | iones de litio |
| Capacidad de la batería, Ah | 2,5 | 4,0 |
| Tensión nominal, V | 18 | 18 |
| Peso, kg | 0,35 | 0,65 |
| Número de celdas (Ion Litio) | 5 | 10 |

²⁵ (funcionamiento continuo) con modo estándar activado y una batería Husqvarna de 4,0 Ah (P4A 18-B72).

²⁶ Emisiones sonoras en el entorno medidas como potencia acústica (L_{WA}) según la directiva 2000/14/CE.

²⁷ Los datos indicados sobre el nivel de presión acústica tienen un factor de incertidumbre (K) de 1,5 dB(A).

²⁸ Los datos indicados sobre los niveles de vibración tienen un factor de incertidumbre (K) de 1,5 m/s². El valor total de vibración indicado se ha medido según el Anexo I de la norma EN 62841-4-3 y puede utilizarse para comparar máquinas y para realizar una evaluación preliminar de la exposición.

Cargadores de batería homologados

| Cargador de batería | P4A 18-C70 |
|----------------------------|-------------------|
| Tensión de entrada, V | 220–240 |
| Frecuencia, Hz | 50–60 |
| Potencia, W | 70 |

Declaración de conformidad

Declaración de conformidad CE

Nosotros, **Husqvarna AB**, SE-561 82 Huskvarna (Suecia), tel. +46-36-146500, declaramos bajo nuestra exclusiva responsabilidad que el producto:

| | |
|-----------------------|--|
| Descripción | Cortacésped |
| Marca | Husqvarna |
| Tipo/Modelo | Aspire LC34-P4A |
| Identificación | Números de serie a partir del año 2022 |

Cumple las siguientes directivas y normas de la UE:

| Norma | Descripción |
|--------------|---|
| 2006/42/CE | "relativa a las máquinas" |
| 2014/30/UE | "relativa a la compatibilidad electromagnética" |
| 2000/14/CE | "relativa a las emisiones sonoras en el entorno" |
| 2011/65/UE | "relativa a restricciones de utilización de determinadas sustancias peligrosas en aparatos eléctricos y electrónicos" |

Y que se aplican las especificaciones técnicas o los estándares siguientes: EN 62841-1:2015/AC:2015, EN IEC 62841-4-3:2021/A11:2021, EN ISO 12100:2010, EN 55014-1:2021, EN 55014-2:2021, EN IEC 61000-6-2:2019, EN IEC 61000-6-3:2021, EN IEC 63000:2018

Organismo notificado: 0404, RISE SMP Svensk Maskinprovning AB, Box 4053, SE-904 03 Umeå, Sweden ha certificado la conformidad con la Directiva del Consejo 2000/14/CE, Procedimiento de evaluación de conformidad: Anexo VI.

Para obtener información respecto a las emisiones sonoras, consulte *Datos técnicos en la página 158*.

Huskvarna, 2022-10-24



Claes Losdal, director de desarrollo/productos para jardín de Husqvarna AB

Responsable de la documentación técnica



Copyright © 2012–2020 STMicroelectronics

La garantía no cubre desperfectos resultantes de un deterioro y desgaste normales, negligencia, uso inapropiado, reparación no autorizada o si el aparato de aspiración se conecta a la tensión incorrecta.

Todos los derechos reservados.

Se permite la redistribución y el uso del código fuente o el código binario, modificado o no, siempre que se cumplan las siguientes condiciones:

- La redistribución del código fuente debe conservar el aviso de copyright anterior, esta lista de condiciones y la siguiente exención de responsabilidad.
- La redistribución del código binario debe reproducir el aviso de copyright anterior, esta lista de condiciones y la siguiente exención de responsabilidad en la documentación o en otros materiales proporcionados con la distribución.
- Ni el nombre de STMicroelectronics ni los nombres de sus colaboradores pueden utilizarse para promocionar productos derivados de este software sin un permiso específico previo por escrito.

LOS TITULARES DEL COPYRIGHT Y LOS COLABORADORES PROPORCIONAN ESTE SOFTWARE "TAL CUAL", Y SE RENUNCIA A CUALQUIER GARANTÍA EXPRESA O IMPLÍCITA, INCLUIDAS, ENTRE OTRAS, LAS GARANTÍAS IMPLÍCITAS DE COMERCIABILIDAD E IDONEIDAD PARA UN FIN DETERMINADO. EN NINGÚN CASO SE RESPONSABILIZARÁ AL TITULAR DEL COPYRIGHT NI A LOS COLABORADORES POR NINGÚN DAÑO DIRECTO, INDIRECTO, FORTUITO, ESPECIAL, EJEMPLAR O DERIVADO (INCLUIDOS, ENTRE OTROS, LA PROPORCIÓN DE BIENES O SERVICIOS DE SUSTITUCIÓN; LA PÉRDIDA DE USO, DATOS O BENEFICIOS; O LA INTERRUPCIÓN DE LA ACTIVIDAD EMPRESARIAL), SEA CUAL SEA SU CAUSA O TIPO, YA SEA DE FORMA CONTRACTUAL, EXTRA CONTRACTUAL O POR RESPONSABILIDAD ESTRUCTA (INCLUIDA NEGLIGENCIA U OTRO TIPO), Y COMO CONSECUENCIA DEL USO DE ESTE SOFTWARE, AUNQUE SE HAYA ADVERTIDO DE LA POSIBILIDAD DE QUE SE PRODUZCAN TALES DAÑOS.

Licencia de Apache 2.0

Copyright © 2009-2019 Arm Limited. Todos los derechos reservados.

Versión 2.0, enero de 2004 <http://www.apache.org/licenses/>

TÉRMINOS Y CONDICIONES DE USO,
REPRODUCCIÓN Y DISTRIBUCIÓN

1. Definiciones.

"**Licencia**" hace referencia a los términos y condiciones de uso, reproducción y distribución, según la definición establecida en las secciones 1 a 9 de este documento.

"**Licenciador**" hace referencia al titular del copyright, o a la entidad autorizada por el mismo, que otorga la licencia.

"**Entidad legal**" hace referencia a la unión de la entidad actuante y todas las demás entidades que la controlan, son controladas por ella o están sujetas a un control común con dicha entidad. A los efectos de esta definición, el "**control**" es (i) la potestad directa o indirecta para dirigir o gestionar dicha entidad, ya sea mediante contrato o de otro modo; o (ii) la titularidad de al menos el cincuenta por ciento (50 %) de las acciones; o (iii) la propiedad efectiva de dicha entidad.

"**Usted**" (o "**su**") hace referencia a una persona o entidad legal que ejerza los permisos otorgados por esta licencia. El formato de "**código fuente**" hace referencia al formato preferente para realizar modificaciones, incluidos, entre otros, el código fuente del software, el código fuente de la documentación y los archivos de configuración. El formato de "**objeto**" hace referencia al formato resultante de la transformación mecánica o traducción del código fuente, lo cual incluye, entre otros, el código de objeto compilado, la documentación generada y las conversiones a otros tipos de soportes.

"**Obra**" hace referencia a la obra del autor, ya sea en formato de código fuente o de objeto, disponible en virtud de esta licencia, según se indica en un aviso de copyright incluido o incorporado a la obra (se facilita un ejemplo en el apéndice más adelante).

"**Obras derivadas**" hace referencia a cualquier obra, en formato de código fuente o de objeto, que esté basada en la obra (o derive de ella), y en la que el conjunto de las revisiones editoriales, anotaciones, elaboraciones u otras modificaciones representen una obra de autoría original. A los efectos de esta licencia, las obras derivadas no incluirán las obras que sea posible separar o que compartan un simple vínculo (o unión por nombre) con las interfaces de la obra y de las obras derivadas de la misma. "**Colaboración**" hace referencia a cualquier obra de autor, incluida la versión original de la obra y cualquier modificación o adición a dicha obra u obras derivadas de la misma, que se envíen intencionadamente al licenciador para su inclusión en la obra por parte del titular del copyright o por una persona o entidad legal autorizada para ello en representación del titular del copyright. A los efectos de esta definición, "**enviar**" hace referencia a cualquier forma de comunicación electrónica, verbal o escrita enviada al licenciador o a sus representantes, incluida, entre otras, la comunicación en listas de correo electrónico, sistemas de control de código fuente y sistemas de seguimiento de problemas gestionados por o en representación del licenciador con el fin de comentar y mejorar la obra, a excepción de las comunicaciones descritas claramente o designadas por escrito como "**No colaboración**" por el titular del copyright. "**Colaborador**" hace referencia al licenciador

o cualquier persona o entidad legal en cuyo nombre haya recibido el licenciador una colaboración que se incorporará posteriormente a la obra.

2. Concesión de licencia de copyright.

De acuerdo con los términos y condiciones de esta licencia, por la presente, cada colaborador le otorga una licencia de copyright perpetua, global, no exclusiva, sin cargas ni regalías e irrevocable para reproducir, preparar obras derivadas, mostrar u operar públicamente, sublicenciar y distribuir la obra y dichas obras derivadas en formato de código fuente u objeto.

3. Concesión de licencia de patente.

De acuerdo con los términos y condiciones de esta licencia, por la presente, cada colaborador le otorga una licencia de patente perpetua, global, no exclusiva, sin cargas ni regalías e irrevocable (excepto en los casos indicados en esta sección) para utilizar o hacer utilizar, vender, ofertar, importar y transferir de otro modo la obra, siendo de aplicación esta licencia solamente a las solicitudes de patente otorgables por un colaborador que afecten exclusivamente a sus colaboraciones o combinación de colaboraciones a la obra a la que se incorporaron. Si usted iniciara un proceso legal contra cualquier entidad (incluidas las contrademandas en un proceso) alegando que la obra o una colaboración incorporada a la obra constituye una infracción directa o contributiva de una patente, todas las licencias de patentes otorgadas a usted en virtud de esta licencia sobre esa obra cesarán a partir de la fecha en que se instituya dicho proceso.

4. Redistribución.

Usted podrá reproducir y distribuir copias de la obra o de las obras derivadas de la misma en cualquier medio, con o sin modificaciones, en formato de código fuente o de objeto, siempre que cumpla las siguientes condiciones:

- Deberá facilitar a todos los demás receptores de la obra u obras derivadas una copia de esta Licencia.
- Deberá indicar claramente las modificaciones que haya realizado en los archivos. Deberá conservar en el formato de código fuente de todas las obras derivadas que usted distribuya todos los avisos relativos al copyright, patentes, marcas comerciales y atribuciones en la forma de código fuente de la obra, salvo los avisos que no pertenezcan a ninguna parte de las obras derivadas.
- Si la obra incluye un archivo de texto de **"AVISO"** como parte de su distribución, todas las obras derivadas que usted distribuya deberán incluir una copia legible de los avisos de atribución contenidos en dicho archivo de AVISO, salvo aquellos avisos que no pertenezcan a ninguna parte de las obras derivadas, en al menos uno de los lugares siguientes: en el contenido del archivo de texto de AVISO distribuido como parte de la obra derivada; en el contenido del formato de código fuente o en la documentación, si estos se facilitan junto con

las obras derivadas; o mediante un elemento visual generado por las obras derivadas, en el lugar en que normalmente aparezcan tales avisos externos. El contenido del archivo de AVISO es meramente informativo y no modifica la licencia. Usted podrá añadir sus propios avisos de atribución en las obras derivadas que usted distribuya, junto con el texto de AVISO de la obra, o como adición al mismo, siempre que estos avisos de atribución adicionales no puedan interpretarse como una modificación de la licencia. Usted podrá añadir su propia declaración con respecto al copyright en sus modificaciones y podrá añadir términos y condiciones diferentes en la licencia para el uso, la reproducción o la distribución de sus modificaciones o de las obras derivadas en conjunto, siempre que su uso, reproducción y distribución de la obra cumpla las condiciones establecidas en esta licencia.

5. Envío de colaboraciones.

A menos que usted indique explícitamente lo contrario, todas las colaboraciones que envíe deliberadamente al licenciador para su inclusión en la obra estarán sujetas a los términos y condiciones de esta licencia sin términos y condiciones adicionales. Sin perjuicio de lo anterior, nada de lo aquí expuesto sustituirá ni modificará los términos de cualquier otro acuerdo de licencia independiente que haya suscrito con el licenciador en relación con tales colaboraciones.

6. Marcas comerciales.

Esta licencia no autoriza el uso de nombres comerciales, marcas comerciales, marcas de servicio o nombres de productos del licenciador, excepto cuando lo requiera el uso razonable y habitual en la descripción del origen de la obra y la reproducción del contenido del archivo de AVISO.

7. Renuncia de garantía.

A menos que lo exijan las leyes pertinentes o se acuerde por escrito, el licenciador ofrece la obra (y cada colaborador ofrece sus colaboraciones) "TAL CUAL", SIN GARANTÍAS NI CONDICIONES DE NINGÚN TIPO, ya sean expresas o implícitas, como por ejemplo, cualquier garantía o condición sobre TÍTULO, NO INFRACCIÓN, COMERCIABILIDAD o IDONEIDAD PARA UN FIN PARTICULAR. Usted es el único responsable de determinar si es apropiado utilizar o redistribuir la obra y asume todos los riesgos asociados a su ejercicio de los permisos otorgados en virtud de esta licencia. 8. Limitación de responsabilidad. Bajo ninguna circunstancia ni fundamento legal, ya sea extracontractual (incluida la negligencia), contractual o de otro tipo, a menos que lo exijan las leyes pertinentes (como en el caso de actos de negligencia deliberados y graves) o se haya acordado por escrito, será responsable ningún colaborador ante usted por daños de ningún tipo, ya sean directos, indirectos, especiales, fortuitos o derivados ocasionados como resultado de esta licencia o por el uso o imposibilidad

de uso de la obra (como por ejemplo los daños por pérdida de clientes, pérdida de actividad, avería o mal funcionamiento de los ordenadores o cualquier otra forma de daños o pérdidas comerciales), incluso si dicho colaborador hubiese sido advertido de la posibilidad de tales daños.

9. Aceptación de garantías o responsabilidad adicional.

Al redistribuir la obra o las obras derivadas de la misma, usted podrá ofrecer y cobrar por la aceptación de asistencia, garantías, indemnización u

otras obligaciones de responsabilidad o derechos en virtud de esta licencia. No obstante, al aceptar tales obligaciones, usted podrá actuar solamente en su propio nombre y bajo su propia responsabilidad, no en nombre de ningún otro colaborador, y solamente si usted accede a indemnizar, defender y eximir a cada colaborador de cualquier tipo de responsabilidad o disputas contra dicho colaborador como resultado de su aceptación de tales garantías o responsabilidades adicionales. FIN DE LOS TÉRMINOS Y CONDICIONES

Marcas registradas

QR Code es una marca registrada de DENSO WAVE INCORPORATED en Japón.

Sisukord

| | | | |
|-------------------|-----|--|-----|
| Sissejuhatus..... | 165 | Transportimine, hoiulepanek ja utiliseerimine..... | 177 |
| Ohutus..... | 166 | Tehnilised andmed..... | 179 |
| Kokkupanek..... | 172 | Vastavusdeklaratsioon..... | 182 |
| Töö..... | 172 | Litsentsid..... | 183 |
| Hooldamine..... | 174 | Registreeritud kaubamärgid..... | 185 |
| Veotsing..... | 176 | | |

Sissejuhatus

Toote kirjeldus

Tooteks on lükatav ja pöörlev muruniiduk. Muru kogutakse rohukogurisse. Kui soovite, et muru väljutataks tagant, eemaldage rohukogur. Selleks et muru lõigataks väetiseks, paigaldage multšikork.

Kasutusotstarve

Kasuta toodet muru pügamiseks. Ära kasuta toodet muude tööde tegemiseks.

Lühijuhend

Skaneerige QR-kood, et saada nõu toote kasutamise kohta.



Toote tutvustus

(Joon. 1)

1. Mootori pidurikäepide
2. Käivitustõkesti
3. Käepide/juhtraud
4. Käepideme lukustusnupp
5. Juhtraua nupud
6. Rohukogur
7. Multšikork
8. Tagumine kate
9. Toote LED-tuli
10. Hoiatuse indikaator (tõrke LED-tuli)
11. Ohutusüliliit
12. Akusahtel
13. Akukaas
14. Sümbolid
15. Lõikekõrguse hoob

16. Aku (lisatarvik)
17. Akulaadija (lisatarvik)
18. Punane LED-märgutuli
19. Roheline LED-märgutuli
20. Tõstepunktid
21. Kinnitus
22. Kasutusjuhend

Sümbolid tootel

(Joon. 2) HOIATUS!

(Joon. 3) Lugege läbi juhised.

(Joon. 4) HOIATUS! Olge tähelepanelik paiskuvate esemete suhtes.

- (Joon. 5) Hoidke kõrvalseisjad eemale.
- (Joon. 6) HOIATUS! Hoidke käed ja jalad teradest eemal.
- (Joon. 7) HOIATUS! Enne hooldamist ühendage aku lahti.
- (Joon. 8) Toode või toote pakend ei kuulu olmejäätmete hulka. Toimetage see elektri- ja elektroonikajäätmete vastuvõtupunkti.
- (Joon. 9) Müraremissioonile viitav keskkonnasilt vastavalt ELi ja UK direktiividele ja määrustele ja Uus Lõuna-Walesi õigusaktile „Protection of the Environment Operations (Noise Control) Regulation 2017”. Toote garanteeritud helivõimsuse taseme andmed leiata jaotisest *Tehnilised andmed lk 179* ja sildil.
- (Joon. 10) See löikeosa vastab EL-i kehtivatele direktiividele.
- (Joon. 11) See toode vastab kehtivatele UK direktiividele.
- (Joon. 12) Toode on pritsmekindel.
- (Joon. 13) Seiskamiseks vabastage mootori pidurikäepide.
- (Joon. 14) Lõiketerade ajami käivitamiseks lükake mootori pidurikäepidet.
- (Joon. 15) Skannitav kood.
- (Joon. 18) Keerake lukustamiseks või lukuvabastuseks.

Akul ja/või akulaadijal olevad sümbolid

- (Joon. 19) Toimetage seade elektri- ja elektroonikajäätmete ringlustuskeskusesse. (Kehtib vaid Euroopas)
- (Joon. 20) Kasutage akut ainult POWER FOR ALL süsteemi partnerite toodetes.
- (Joon. 21) Kaitske akut kuumuse eest, nt pideva intensiivse päikesevalguse, tule, mustuse, vee ja niiskuse eest. Esineb plahvatus- ja lühiseoht.
- (Joon. 22)
- (Joon. 16) Kasutage ja hoiustage akulaadijat ainult siseruumides.
- (Joon. 17) Topeltisolatsioon.

Silt seadmel

(Joon. 23)

OHT! Hoidke käed ja jalad eemal.

Tootevastutus

Tootevastutusseaduste alusel ei vastuta me tootest tingitud kahjustuste eest, kui:

- toodet on valesti parandatud;
- toote parandamisel on kasutatud osi, mis ei ole tootja poolt valmistatud või heaks kiidetud;
- tootel on kasutatud tarvikut, mis ei ole tootja poolt valmistatud või heaks kiidetud;
- toodet ei ole parandatud volitatud hoolduskeskuses või volitatud isiku poolt.

Märkus: Ülejäänud seadmel toodud sümbolid/ tähised vastavad teatud riikides kehtivatele sertifitseerimisnõuetele.

Ohutus

Ohutuse määratlused

Mõistetega „hoiatus”, „ettevaatus” ja „märkus” juhitakse tähelepanu eriti olulistele kohtadele kasutusjuhendis.



HOIATUS: Tähistab kasutusjuhendi juhiste eiramise korral kasutaja või

kõrvalseisjate kehavigastuse või surmaga lõppeva õnnetuse ohtu.



ETTEVAATUST: Tähistab kasutusjuhendi juhiste eiramise korral seadme, muude esemete või läheduses asuvate objektide kahjustamise ohtu.

Märkus: Tähistab antud olukorras vajalikku lisateavet.

Üldised tooteohutuse hoiatused



HOIATUS: Lugege läbi kõik tootega kaasas olevad hoiatused, juhised, tehnilised andmed ning tutvuge joonistega. Alltoodud juhiste eiramine võib põhjustada elektrilöögi, tulekahju ja/või ohtlikku kehavigastuse.

Hoidke kõik ohutuslased märkused ja juhised edasiseks kasutamiseks alles. Hoiatuses kasutatud mõiste „toode“ tähistab võrgutoitelt (juhtmega) elektritööriista või akutoitelt (juhtmeta) elektritööriista.

Tööala ohutus

- Hoidke tööala puhas ja tagage hea valgustus. Segamini või hämarad alad on õnnetusealdisid.
- Ärge kasutage toodet plahvatusohtlikus keskkonnas, näiteks tuleohtlike vedelike, gaaside või tolmude läheduses. Toode võib tekitada sädemeid, mis võivad tolmude või aurude süüdata.
- Hoidke toote kasutamise ajal lapsed ja kõrvalseisjad tööalast eemale. Tähelepanu hajumine võib põhjustada kontrolli kaotamist.

Elektriohutus

- Elektritööriista pistikud peavad pistikupesaga ühilduma. Ärge muutke pistikut mis tahes viisil. Ärge kasutage maandusega toodete puhul adapterpistikuid. Muutmata pistikud ja sobivad pistikupesad vähendavad elektrilöögi ohtu.
- Välti kehalist kokkupuudet maandatud pindadega (nt torud, radiaatorid, elektriliidid ja külmikud). Keha maandamise korral on elektrilöögi oht suurem.
- Ärge laske toodetel kokku puutuda vihma ega niiskusega. Toote sisse tunginud vesi suurendab elektrilöögi ohtu.
- Kasutage juhete õigesti. Ärge kunagi kasutage kaablit toote kandmiseks, tõmbamiseks või pistikupesast eemaldamiseks. Kaitske juhete kuumuse, õli, teravate servade ja liikuvate osade eest. Kahjustatud või sõlmes juhte suurendab elektrilöögi ohtu.
- Tootega õues töötamisel kasutage välistingimustes kasutamiseks sobivat pikendusjuhet. Välistingimustes kasutamiseks sobiva pikendusjuhtme kasutamine vähendab elektrilöögi ohtu.
- Kui toote kasutamine niiskes keskkonnas on vältimatu, kasutage rikevoolukaitsmega (RCD) kaitsitud toidete. RCD kasutamine vähendab elektrilöögi ohtu.

Inimeste kaitsmine

- Olge toote kasutamisel tähelepanelik, jälgige oma tegevust ja kasutage tervet mõistust. Ärge kasutage toodet, kui olete väsinud või uimastite, alkoholi

või ravimite mõju all. Hetkeline tähelepanematus toote kasutamise ajal võib lõppeda raskete kehavigastustega.

- **Kasuta isikukaitsevahendeid. Kasutage alati kaitseprille.** Asjakohastes tingimustes kaitsevahendite (nt tolmumask, mittelibisevad turvajalatsid, kiiver või kõrvaklapid) kasutamine vähendab kehavigastuste ohtu.
- **Vältige soovimatut käivitumist. Enne toote ühendamist toiteallika ja/või akuga, üles tõstmist või kandmist veenduge, et lüliti oleks väljalülitatud asendis.** Kui kannate toodet nii, et sõrm on toitelülilil, või ühendate toote vooluvõrku, kui toitelüliti on sisse lülitatud, võib see lõppeda õnnetusega.
- **Eemaldage enne seadme sisselülitamist kõik reguleerimis- ja mutrivõtmed.** Seadme pöörleva osa külge jäetud mutri- või muu võti võib tekitada kehavigastusi.
- **Ärge küünitage liiga kaugele. Säilitage kogu aeg kindel jalgealune ja tasakaal.** See tagab ootamatutes olukordades seadme üle parema kontrolli.
- **Kandke nõuetekohaseid riideid. Ärge kandke lahtiseid rõivaid ega ehteid.** Hoidke juuksed ja rõivad liikuvatest osadest eemal. Lahtised rõivad, ehted või pikad juuksed võivad liikuvate osade vahele kinni jääda.
- **Kui seadmel on ühendus tolmueemaldus- ja kogumisseadmete jaoks, veenduge, et need on ühendatud ja neid kasutatakse õigesti.** Tolmukogumise kasutamise abil saab vähendada tolmuga seotud ohte.
- **Ärge muutuge tööriistade sagedasest kasutusest hooletuks ning ärge eirake tööriistade ohutu kasutamise põhimõtteid.** Hooletu tegevus võib ka murdosajaks sekundijooksul põhjustada tõsiseid kehavigastusi.

Toote kasutamine ja hooldamine

- **Ärge koormake toodet üle. Kasutage rakenduse jaoks õiget toodet.** Õige toode teeb töö ära paremini, ohutumalt ja ettenähtud kiirusel.
- **Ärge kasutage toodet, kui see lüliti vajutamisel ei lülitu sisse ega välja.** Mis tahes toode, mida pole võimalik lüliti abil juhtida, on ohtlik ja tuleb viivitamatult parandada.
- **Enne toote reguleerimist, tarvikute vahetamist või hoiustamist eemaldage pistik toiteallikast ja/või eemaldage toote küljest aku, kui see on eemaldatav.** Taolised ennetavad ohutusmeetmed vähendavad toote tahtmatu käivitamise ohtu.
- **Hoidke toodet, mida te parasjagu ei kasuta, lastele kättesaamatus kohas ning ärge lubage toodet kasutada isikutel, kes ei oska seda kasutada või pole neid juhiseid läbi lugenud.** Tooted on väljaõppeta kasutajate käes ohtlikud.
- **Hooldage tooteid ja lisatarvikuid.** Kontrollige liikuvate osade joondust ja kinnitust, osade purunemist või muid toote kasutamist mõjutavaid võlvaid tegureid. Kahjustuse korral laske seade enne kasutamist

remontida. Paljude õnnetuste põhjuseks on toote puudulik hooldus.

- **Hoidke lõikevahendid teravad ja puhtad.** Nõuetekohaselt hooldatud teravate lõikeservadega lõikevahendite kinnikiilumise tõenäosus on väiksem ja neid on hõlpsam juhtida.
- **Järgige toote, tarvikute, tööriistade kasutamisel neid juhiseid ning arvestage töötingimuste ja -ülesandega.** Toote kasutamine muuks kui ettenähtud otstarbeks võib põhjustada ohtliku olukorra.
- **Hoidke käepidemed ja haardepinnad kuivad, puhtad ning õli- ja määrdevabad.** Libedate käepidemete ja haardepindade korral ei ole ootamatutes olukordades võimalik toodet ohutult käsitseda ja juhtida.

Akutööriistade kasutamine ja hooldamine

- **Kasutage laadimiseks ainult tootja soovitatud laadijat.** Ühte tüüpi aku laadimiseks sobiv laadija võib koos teist tüüpi akuga kasutades tuleohtu põhjustada.
- **Kasutage toodetega vaid spetsiaalselt neile loodud akusid.** Teisi akukogumeid kasutades riskite vigastuste ja tulekahjuga.
- **Kui aku pole hetkel kasutuses, hoidke seda eemal teistest metall-esemetest (nt kirjaklambrid, mündid, võtmed, naelad, kruvid vms väiksed metall-esemed), mis võiksid akukemme omavahel ühendada.** Akuklemmide lühistamine võib põhjustada põletushaavu või tulekahju.
- **Väärkasutamise korral võib akut vedelikku lekkida; vältige kokkupuudet.** Kokkupuute korral loputage kannatada saanud kohta veega. Kui vedelik satub silma, loputage silma veega ja pöörduge arsti poole. Akust lekkinud vedelik võib põhjustada ärritust või põletushaavu.
- **Ärge kasutage defektset või muudetud akut või tööriista.** Kahjustatud või muudetud akud võivad käituda ettearvamatult ning põhjustada tule-, plahvatus- või vigastusohtu.
- **Ärge laske akut või tööriista puutuda kokku tulega või liiga kõrgete temperatuuridega.** Kokkupuude üle 130 °C temperatuuriga võib põhjustada plahvatuse.
- **Järgige kõiki laadimisjuhiseid ja ärge vahetage akut või tööriista temperatuuril, mis jääb väljapoole juhistes kirjeldatud temperatuurivahemikku.** Aku laadimine valesti või väljaspool selleks ettenähtud temperatuurivahemikku võib akut kahjustada ja suurendada tuleohtu.

Teenus

- **Laske toodet hooldada kvalifitseeritud remonditehnikul, kasutades ainult identseid varuosi.** See tagab toote ohutuse säilimise.
- **Ärge kunagi hooldage kahjustatud akusid.** Akusid võib hooldada üksnes tootja või volitatud teenusepakkuja.

Muruniiduki ohutusalaused hoiatused

- **Ärge kasutage muruniidukit halva ilmaga (eelkõige äikesetormi ajal).** See vähendab pikselöögi ohtu.
- **Kontrollige põhjalikult, kas muruniiduki kasutuskohas on elusloodust.** Muruniiduk võib töötades elusloodust kahjustada.
- **Kontrollige hoolikalt muruniiduki kasutuskohta ning eemaldage seal kõik kivid, oksad, traadid, luud ja muud võõrkehad.** Ohku paiskuvad esemed võivad tekitada kehavigastusi.
- **Enne muruniiduki kasutamist kontrollige alati visuaalselt, et lõiketera, terapolt või terakoost ei oleks kulunud ega kahjustatud.** Kulunud või kahjustatud osad suurendavad kehavigastuse ohtu.
- **Kontrollige rohukogurit sageli kulumise või kahjustumise suhtes.** Kulunud või kahjustatud rohukogur võib suurendada kehavigastuse ohtu.
- **Hoidke kaitsmed paigaldatuna.** Kaitsmed peavad olema töökorras ja õigesti paigaldatud. Kaitse, mis on lahti tulnud, kahjustunud või ei tööta korralikult, võib tekitada kehavigastusi.
- **Hoidke kõik jahutusõhu sisselaskeavad prahist puhtad.** Blokeeritud õhu sisselaskeavad ja praht võivad põhjustada ülekuumenemist või tuleohtu.
- **Kandke muruniiduki kasutamisel alati libisemiskindlaid kaitsejalatseid.** Ärge kasutage muruniidukit paljajalu ega lahtiste sandaalidega. See vähendab liikuva lõiketeraga kokkupuutel jalalabade vigastusohtu.
- **Kandke muruniidukiga töötamisel alati pikki pükse.** Katmata naha korral suureneb paiskuvatest esemetest tingitud vigastusoht.
- **Muruniidukit ei tohi kasutada märja muru korral.** Kõndige ja ärge kunagi jookske. See vähendab libisemis- ja kukkumisohtu, mis võib lõppeda kehavigastusega.
- **Ärge kasutage muruniidukit liiga järskuldel kallakutel.** See vähendab kontrolli kaotamise ning libisemis- ja kukkumisohtu, mis võib lõppeda kehavigastusega.
- **Kallakul töötades tagage alati kindel asend, töötage masinaga risti üle kallaku, mitte otse üles või alla, ning olge suuna muutmisel äärmiselt ettevaatlik.** See vähendab kontrolli kaotamise ning libisemis- ja kukkumisohtu, mis võib lõppeda kehavigastusega.
- **Tagurdamisel ja muruniiduki enda poole tõmbamisel olge väga ettevaatlik. Olge tähelepanelik oma ümbruse suhtes.** See vähendab töötamise komistamisohu.
- **Ärge puudutage lõiketerasid ja muid ohtlikke liikuvaid osi, kui need alles liiguvad.** See vähendab liikuvate osade põhjustatud vigastusohtu.
- **Kui eemaldate kinnikiilunud materjali või puhastate muruniidukit, veenduge, et kõik toitelülitid oleks välja lülitatud ja toitekaabel oleks lahti ühendatud.** Muruniiduki ootamatu tööle hakkamine võib tekitada raske kehavigastuse.

Rikkevoolukaitse

- Kasutage rikkevoolukaitset, mille rakendusvool on kuni 30 mA.

Üldised ohutuseeskirjad



HOIATUS: Enne toote kasutamist loe läbi järgnevad hoiatused.

- Toode on ohtlik, kui seda kasutada valesti või ettevaatamatult. Ohutuseeskirjade eiramine võib põhjustada kehavigastuse või surma.
- Toode tekitab töötades elektromagnetvälja. Teatud tingimustel võib väli häirida aktiivsete või passiivsete meditsiiniliste implantaatide tööd. Raskete või surmaga lõppevate kehavigastuste ohu vähendamiseks soovitakse meditsiinilisi implantaate kasutataval inimestel pidada enne selle seadme kasutamist nõu oma arsti ja implantaadi valmistajaga.
- Olge alati ettevaatlik ja toimige arukalt. Kui te pole kindel, kuidas toodet eriolukorras kasutada, lõpetage töö ja pidage enne jätkamist nõu Husqvarna edasimüüjaga.
- Arvestage, et teiste isikute ja nende varaga seotud õnnetuste korral kannab vastutust seadme kasutaja.
- Hoidke toode puhas. Veenduge, et märgid ja tähised oleksid selgelt loetavad.
- Ärge kunagi lubage lastel või nende juhustega mittetutvunud inimestel seadet kasutada. Kohalikud kehtivad eeskirjad võivad piirata kasutaja lubatud vanust.
- Kui toodet kasutab piiratud füüsiliste või vaimsete võimetega isik, peab ta olema kogu aeg järelevalve all. Vastutusvõimeline täiskasvanu peab kogu aeg kasutaja juures viibima.
- Ärge kasutage toodet, kui olete väsinud, haige või tarvitanud alkoholi, narkootikume või ravimeid. Sellel on negatiivne mõju teie nägemisele, tähelepanuvõimele, liikumisele ja otsustamisvõimele.
- Ärge kasutage toodet, kui see on kahjustatud.
- Ärge muutke toodet ega kasutage seda, kui keegi teine võib olla seda muutnud.

Tööohutus



HOIATUS: Enne toote kasutamist loe läbi järgnevad hoiatused.

- Kasutage seda toodet ainult muru niitmiseks. Muude toimingute tegemiseks toodet kasutada ei tohi.
- Kasuta isikukaitsevahendeid. Vt jaotist *Isikukaitsevahendid lk 169*.
- Veenduge, et teate, kuidas hädaolukorras mootorit kiiresti seisata.

- Toodet ei tohi kasutada vihma käes või märjas keskkonnas. Toote sisse pääsenud vesi suurendab elektrilöögi ohtu.
- Ärge kasutage toodet enne, kui lõiketera ja katted on õigesti kinnitatud. Valesti kinnitatud lõiketera võib lahti tulla ja inimesi vigastada.
- Veenduge, et lõiketera ei puutuks kokku esemetega (nt kivide ja juurtega). See võib lõiketera kahjustada ja põhjustada mootori võlli väändumist. Paindega telg põhjustab tugevat vibratsiooni ja suurt lõiketera lahtitulemise ohtu.
- Kui lõiketera puutub kokku mõne esemega või esineb vibratsioon, peatage toode viivitamatult. Seisake mootor, keerake ohutuslülitit asendisse 0 ja eemaldage aku. Oodake, kuni liikuva osad peatuvad. Kontrollige toodet kahjustuste suhtes. Kinnitage lahtised osad korralikult. Parandage kahjustused ja asendage kahjustatud osad. Laske parandustöid teha volitatud hooldustöökojas.
- Kui mootor töötab, ärge kinnitage kunagi mootori pidurikäepidet püsivalt käepideme külge.
- Asetage toode stabiilsele ja tasasele pinnale ning käivitage see. Veenduge, et lõiketera ei puutuks vastu maad ega muid esemeid.
- Olge toote kasutamisel alati toote taga.
- Toodet kasutamisel hoidke mõlema käega käepidemest ja kõik toote rattad maas. Hoiu käed ja jalad pöörlevatest teradest eemal.
- Vältige mootori käivitamisel või toote kasutamisel toote kallutamist.
- Olge toote tagasisuunas tõmbamisel ettevaatlik.
- Kui mootor on käivitatud, ärge tõstke toodet. Kui teil on vaja toode üles tõsta, seisake esmalt mootor, keerake ohutuslülitit asendisse 0 ja eemaldage aku.
- Ärge kõndige toote kasutamise ajal tagurpidi.
- Seisake mootor, kui toodet on vaja transportimiseks kallutada või kui peate ületama ilma muruta ala, näiteks kruusa-, kivi- või asfalteed.
- Ärge lükake toodet joostes, kui mootor on käivitatud. Toodet kasutamise ajal kõndige.
- Enne lõikamiskõrguse muutmist seisake mootor. Ärge kunagi tehke reguleerimisi, kui mootor töötab.
- Ärge laske toodet silmist, kui mootor töötab. Seisake mootor ja veenduge, et lõikeosa ei pöörleks.
- Toodet kasutamise ajal esinev vibratsioon võib jaotises *Tehnilised andmed lk 179* esitatud vibratsiooniväärtusest erineda. Erinevus tuleneb toote erinevatest kasutusviisidest. Kui kasutate toodet sageli või kaua aega, tehke regulaarselt pause, et vältida vibratsioonist tingitud vigastusi.

Ohutusjuhised kasutamisel

Isikukaitsevahendid



HOIATUS: Enne toote kasutamist loe läbi järgnevad hoiatused.

- Isikukaitsevarustus ei välista täielikult kehavigastuste ohtu, kuid vähendab õnnetusjuhtumi korral kehavigastuse raskusastet. Õige varustuse valimiseks pöörduge edasimüüja poole.
- Kandke vastupidavaid saapaid või jalatseid, mis on libisemiskindlad. Ärge kandke avatud jalatseid ega olge paljajalu.
- Kandke tugevaid pikki pükse.
- Vajaduse korral kandke kaitsekindaid, näiteks löikeosa kinnitades, kontrollides või puhastades.
- Soovitame kasutada kuulmiskaitset.

Toote ohutusseadised



HOIATUS: Enne toote kasutamist loe läbi järgnevad hoiatused.

- Ärge kunagi kasutage seadet, kui selle ohutusseadised on defektsed.
- Ärge eemaldage ohutusseadmeid ega tehke neile muudatusi.
- Kontrollige ohutusseadiseid regulaarselt. Kui ohutusseadised on defektsed, pöörduge Husqvarna hooldustöökotta.

Löikeosa katte kontrollimine

Löikeosa kate vähendab toote vibratsiooni ja löiketerast tingitud vigastuste ohtu.

- Kontrollige löikeosa kahjustuste (nt pragude) suhtes.

Ohutuslüli kontrollimine

Ohutuslüli asub akukaane all. Ohutuslüli abil ühendatakse aku, mis varustab mootori toitega.

- Ohutuslüli kontrollimiseks käivitage ja seisake mootor.
- Kui ohutuslüli on töökorras, siis käivitub mootor üksnes ohutuslüli keeramisel asendisse 1. (Joon. 24)

Mootori pidurikäepideme kontrollimine

Mootori pidurikäepideme abil saab mootori seisata. Mootori pidurikäepideme vabastamisel mootor seiskub.

- Käivitage seade. Vt jaotist *Toote käivitamine lk 174*.
- Vabasta mootori pidurikäepideme. (Joon. 25)
- Veendu, et toode on seiskunud. Kui mootor kolme sekundi jooksul ei seisku, laske mootoripidurit Husqvarna volitatud hooldustöökogas reguleerida.

Käivitustökesti kontrollimine

Kontrollige, kas käivitustökesti takistab mootori tööd.

1. Lükake mootori pidurikäepidest juhtraua suunas. Käivitustökesti peatab liikumise.
2. Lükake käivitustökesti välja. (Joon. 26)
3. Laske käivitustökesti lahti ja veenduge, et see läheks tagasi lähteasendisse.

Aku ohutus



HOIATUS: Lugege läbi kõik ohutus- ja üldjuhised. Ohutus- ja üldjuhiste eiramine võib põhjustada elektrilöögi, tulekahju ja/või ohtlikke kehavigastusi. **Hoidke kogu ohutusteave ja üldjuhised edaspidiseks kasutamiseks alles.**

- **Need ohutusjuhised kehtivad ainult POWER FOR ALL süsteemi 18 V liitium-ioonakudele.**
- **Kasutage laetavat akut ainult POWER FOR ALL süsteemi partnerite toodetes.** POWER FOR ALL märgisega 18 V laetavad akud ühilduvad täielikult järgmiste toodetega:
 - Kõik 18V POWER FOR ALL akusüsteemi tooted.
 - Kõik POWER FOR ALL süsteemi partnerite 18 V tooted.
- **Järgige oma toote kasutusjuhendis toodud aku soovitusi.** Ainult nii saab laetavat akut ja toodet ohutult kasutada ning akusid kaitsta ohtliku ülekoormuse eest.
- **Laadige akusid ainult tootja või POWER FOR ALL süsteemi partneri soovitatud laadijatega.** Üht tüüpi akudele sobiv laadija võib põhjustada tuleohtu, kui seda kasutatakse koos erineva akuga.
- **Aku on ostuhetkel osaliselt laetud.** Aku täismahutavuse tagamiseks laadige aku laadijas täielikult enne, kui elektrilist tööriista esimest korda kasutate.
- **Hoidke akud lastele kättesaamatus kohas.**
- **Ärge võtke akut lahti.** Esineb lühise oht.
- **Kahjustuste ja aku ebaõige kasutamise korral võivad eralduda aaurud. Aku võib süttida või plahvatada.** Veenduge, et ala on hästi ventileeritud ja kui teie tervises esineb kõrvalnähte, pöörduge arsti poole. Aaurud võivad ärritada hingamisteid.
- **Kui akut kasutatakse valesti või aku on kahjustatud, võib akust pritsida tuleohtlikku vedelikku.** Vältige kokkupuudet selle vedelikuga. Juhusliku kokkupuute korral loputage kokkupuutekohta veega. Kui vedelik satub silma, pöörduge arsti poole. Akust lekkinud vedelik võib põhjustada ärritust või põletushaavu.
- **Kui aku on kahjustatud, võib vedelik väljja pritsida ja imbuda läheduses olevatele pindadele.** Kontrollige mõjutatud osi. Puhastage need osad või vahetage vajadusel välja.
- **Akusid ei tohi lühistada. Kui aku pole hetkel kasutusel, hoidke seda eemal teistest metalliesemetest (nt kirjakiambriid, mündid, võtmed, naelad, kruvid vms väiksed metallised), mis võiksid akuklemme omavahel ühendada.** Akuklemmide lühistamine võib põhjustada põletushaavu või tulekahju.
- **Akut võivad kahjustada teravad esemed (nt naelad või kruvikeerajad) või väljastpoolt rakendatav jõud.** Võib tekkida sisemine lühis, mis põhjustab

aku põlemise, suitsemise, plahvatuse või ülekuumenemise.

- **Ärge kunagi hooldage kahjustatud akusid.** Akusid võivad hooldada üksnes tootja või volitatud teenusepakkujad.
- **Kaitske akut kuumuse eest, nt pideva intensiivse päikesevalguse, tule, mustuse, vee ja niiskuse eest.** Esineb plahvatus- ja lühiseoht.
- **Kasutage toote akut üksnes juhul, kui õhutemperatuur on vahemikus 0 °C – +40 °C.**
- **Hoidke akut ainult temperatuuril vahemikus -20 °C – +50 °C.** Ärge jätke akut näiteks suvel autosse. Kui temperatuur on alla 0 °C, võib mõnel seadmel võimsus väheneda.
- **Laadige akut ainult õhutemperatuuril, mis jääb vahemikku 0 °C kuni +35 °C. Laadige laetavat akut USB-kaabliga ainult õhutemperatuuril, mis jääb vahemikku +10 °C kuni +35 °C.** Väljaspool seda temperatuurivahemikku laadimine võib suurendada aku kahjustamise ohtu ja põhjustada tuleohtu.

Akulaadija ohutus



HOIATUS: Lugege läbi kõik ohutus- ja üldjuhised. Ohutus- ja üldjuhiste eiramine võib põhjustada elektrilöögi, tulekahju ja/või ohtlikke kehavigastusi. **Hoidke neid juhiseid kindlas kohas.** Kasutage laadijat ainult siis, kui saate kõiki funktsioone täielikult hinnata ja piiranguteta teostada või kui olete saanud vastavad juhised.

- **See laadija ei ole mõeldud kasutamiseks lastele ega nõrgemate füüsiliste, sensoorsete või vaimsete võimetega või puudulike kogemuste või teadmistega inimestele.** Seda laadijat võivad kasutada 8-aastased ja vanemad lapsed ning isikud, kellel on nõrgemad füüsilised, sensoorsed või vaimsed võimed või puudulikud kogemused või teadmised, kui nende ohutuse eest vastutav isik jälgib neid või on juhendanud laadija ohutut kasutamist ja nad mõistavad kaasnevat ohte. Vastasel juhul tekib kasutamisevigade ja kehavigastuste oht.
- **Jälgige lapsi seadme kasutamise, puhastamise ja hoolduse ajal.** Nii ei saa lapsed laadijaga mängida.
- **Laadige ainult 18 V POWER FOR ALL süsteemi akusid mahuga 1,5 Ah.** Aku pinge peab ühtima laadija aku laadimisingega. **Ärge laadige mitteleetavaid akusid.** Vastasel juhul tekib tulekahju- ja plahvatusoht.
- **Kasutage laadijat ainult suletud ruumides ja ärge jätke seda märga keskkonda.** Tööriista pääsenud vesi suurendab elektrilöögi ohtu.
- **Hoidke laadija puhas.** Mustus tekitab elektrilöögi ohtu.
- **Enne kasutamist kontrollige alati laadijat, kaablit ja pistikut.** Lõpetage laadija kasutamine, kui leiate kahjustusi. **Ärge avage laadijat ise ja laske seda parandada ainult Husqvarna või volitatud müüjärgisel teeninduskeskusel, kasutades ainult**

originaalvaruosi. Kahjustatud laadijad, kaablid ja pistikud suurendavad elektrilöögi ohtu.

- **Ärge kasutage laadijat kergesti süttival pinnal (nt paber, tekstiil jne) ega tuleohtlikus keskkonnas.** Laadija kuumeneb töötamise ajal ning tekitab tulekahjuohtu.
- **Ärge katke laadija ventiilatsiooniavasid kinni.** Vastasel juhul võib laadija üle kuumeneda ja ei tööta enam korralikult.
- **Kasutage laadimiseks ainult tootja soovitatud laadijat.** Ühte tüüpi aku laadimiseks sobiv laadija võib koos teist tüüpi akuga kasutades tuleohtu põhjustada.
- **Kahjustuste ja aku ebaõige kasutamise korral võivad ka aurud eralduda.** Veenduge, et ala on hästi ventileeritud ja kui teie tervises esineb kõrvalnähte, pöörduge arsti poole. Aurud võivad ärritada hingamisteid.
- **Väärkasutamise korral võib akut vedelikku lekkida. Vältige kokkupuudet selle vedelikuga. Juhusliku kokkupuute korral loputage kokkupuutekohta veega. Kui vedelik satub silma, pöörduge arsti poole.** Akust lekkinud vedelik võib põhjustada ärritust või põletushaavu.
- **Ainult Ühendkuningriigis müüvad tooted:** Teie toode on varustatud BS 1363/A heakskiidetud sisemise kaitsmega elektripistikuga (ASTA heakskiiduga BS 1362 järgi). Kui pistik ei sobi teie pistikupesaga, tuleb volitatud klienditeenindajal see ära lõigata ja selle asemele paigaldada sobiv pistik. Asenduspistiku kaitsme väärtus peab olema sama kui originaalpistikul. Katkestatud pistik tuleb võimaliku loogiohu vältimiseks kõrvaldada ja seda ei tohi kunagi mujale pistikupesasse ühendada.

Ohutusjuhised hooldamisel



HOIATUS: Enne toote kasutamist loe läbi järgnevad hoiatused.

- Hooldustööde ajal juhusliku käivitumise vältimiseks keerake ohutusüliti asendisse 0 ja eemaldage aku. Enne hooldustööde alustamist oodake vähemalt viis sekundit.
- Hooldage toodet ainult selle kasutusjuhendi järgi. Põhjalikumad ja keerukamad tööd laske teha volitatud hooldustöökojas. Lisateavet küsige lähimast hooldustöökojast.
- Tootes kasutusea tõstmiseks ja õnnetuste ohu vähendamiseks tehke kõik hooldustööd korrektselt.
- Asendage kahjustatud, kulunud ja katkised osad. Kasutage alati tootja originaalvaruosi. Muud varuosad võivad toodet kahjustada ja suurendada õnnetuste ohtu.
- Vigastuste vältimiseks ärge eemaldage ohutusseadmeid ega tehke neile muudatusi.
- Lõikeosa käsitsedes kandke alati tugevaid kindaid. Lõiketera on väga terav ja võib kergesti põhjustada lõikevigastusi.

- Parima ja ohutuima töö tagamiseks hoidke lõikeservad teravana ja puhtana.
- Laske hooldustöökojas toodet korrapäraselt kontrollida ning teha vajalikke seadistamisi ja parandusi.
- Järgige tarvikute vahetamise juhiseid. Kasutage ainult tootja valmistatud tarvikuid.

- Kui toodet ei kasutata, eraldage toode, aku ja akulaadija ning hoidke neid kuivas ja lukustatud siseruumis. Veenduge, et lastel ja ilma vastava volitusega kõrvalistel isikutel puuduks juurdepääs tootele, akule ja akulaadijale.

Kokkupanek

Sissejuhatus



HOIATUS: Enne toote kokkupanemist lugege läbi ohutust puudutav peatükk.



HOIATUS: Kokkupanemise ajal juhusliku käivitumise vältimiseks keerake ohutuslüüti asendisse 0, eemaldage aku ja oodake vähemalt viis sekundit.

2. Eemaldage multšikork.
3. Kinnitage rohukogur raami ülaservale.
4. Asetage rohukoguri alaosa vastu muru väljaviskekanalit. (Joon. 28)



ETTEVAATUST: Veenduge, et rohukogur on toote raami külge korralikult kinnitatud.

Multšikorgi paigaldamine

1. Kergitage tagakaant ja eemaldage rohukogur.
2. Lükake multšikork väljaviskekanalisse, kuni kuulete klõpsatust. (Joon. 29)

Konksu seinale paigaldamine

- Paigaldage konks siseruumides.
- Hoidke konksu päikesevalguse eest ja õhutemperatuuril -10 °C kuni +70 °C.
- Paigaldage konks kipsplaadile, puit- või betoonseinale.



ETTEVAATUST: Veenduge, et sein mahutab vähemalt 30 kg raskusi.

- Paigaldage konks 3 kruviga (A) seinale. Vajadusel kasutage seinakorke (B). (Joon. 30)



ETTEVAATUST: Veenduge, et kruvid sobivad teie seinatüübiga.

- Toote hoiustamistarvikute kohta lisateabe saamiseks pöörduge Husqvarna teenindusagendi poole.

Käepideme kõrguse reguleerimine

Käepideme kõrguse seadistamisel on vaba ulatus. Käepideme saab kõrguse kahe sättepunkti vahel määrata sobivasse kõrgusesse.

1. Seadke toode tööasendisse. Vt jaotist *Toote seadmine tööasendisse lk 173*.
2. Keerake käepidemete lukustusnuppe vastupäeva. (Joon. 27)
3. Tõmmake käepidemed sobivasse asendisse.
4. Seadke kaks käepidet ühetasa.



ETTEVAATUST: Kui käepidemed pole loodis, siis saab toode kahjustada.

5. Keerake käepidemete lukustusnuppe päripäeva.
6. Keerake lukustusnupud korralikult kinni.

Rohukoguri paigaldamine

1. Kergitage tagakaant.

Töö

Sissejuhatus



HOIATUS: Enne seadme kasutamist lugege põhjalikult läbi ohutust puudutav jaotis.

Husqvarna Connect

Husqvarna Connect on mobiilsideseadmetele mõeldud tasuta rakendus. Rakendus Husqvarna Connect annab teie Husqvarna tootele lisafunktsionaalsuse:

- Täiendav tooteteave.
- Toote osade ja hoolduse alane teave ja abi.

Toote Husqvarna Connect kasutamise alustamine

1. Laadi rakendusHusqvarna Connect oma mobiilsideseadmesse.
2. Registreerige Husqvarna Connect rakenduses.
3. Toote ühendamiseks ja registreerimiseks järgige Husqvarna Connect rakenduse juhiseid.

Märkus: Kõigis riikides ei saa rakendust Husqvarna Connect alla laadida. Lisateabe saamiseks võta ühendust hooldusesindajaga.

Toote seadmine tööasendisse

1. Keerake käepideme nupud lukust avatud asendisse. (Joon. 31)
2. Klappige käepide üles, kuni kuulete klõpsu. (Joon. 32)



ETTEVAATUST: Veenduge, et trossid pole liiga pingul. Liigne pingsus võib kahjustada kaablit, kui käepidemed pannakse transpordiasendisse.



HOIATUS: Veenduge, et käepide on täielikult üles klappitud ja lukustatud asendis.

3. Reguleerige käepideme kõrgust. Vt jaotist *Käepideme kõrguse reguleerimine lk 172.*

Lõikamiskõrguse reguleerimine

1. Lõikamiskõrguse suurendamiseks tõmmake lõikamiskõrguse hooba tagasisuunas.
2. Lõikamiskõrguse vähendamiseks lükake lõikamiskõrguse hooba edasisuunas. (Joon. 33)



ETTEVAATUST: Ärge seadistage lõikamiskõrgust liiga madalaks. Kui muru pole tasane, võivad lõiketerad puutuda vastu maad.

Aku



HOIATUS: Enne aku kasutamist lugege läbi ohutust puudutav jaotis ja veenduge, et oleksite kõigest aru saanud. Samuti tuleb läbi lugeda aku ja akulaadija kasutusjuhend ning veenduda, et kogu teave on arusaadav.

Hoidke akut ja akulaadijat õigel õhutemperatuuril.

| | Õhutemperatuur |
|------------------------|----------------|
| Aku kasutamine seadmes | 0 °C – +40 °C |

| | Õhutemperatuur |
|---------------|----------------|
| Aku laadimine | 0 °C – +35 °C |

Aku laadimine

Enne esimest kasutuskorda laadige aku täis.

Märkus: Laadimisprotsess on võimalik ainult siis, kui aku temperatuur jääb lubatud laadimistemperatuuri vahemikku (0–45 °C).

1. Ühendage akulaadija toitejuhe maandatud vooluvõrku.



ETTEVAATUST: Veenduge, et vooluvõrgu pinge ja sagedus oleksid õiged.

2. Asetage aku akulaadijasse. Aku on ühendatud akulaadijaga, kui roheline LED-märgutuli vilgub. (Joon. 34)
3. Aku on täielikult laetud, kui akulaadija roheline LED-märgutuli põleb. Ärge laadige akut kauem kui 24 tundi.
4. Lahutage akulaadija vooluvõrgust.



ETTEVAATUST: Ära tõmba toitejuhet.

5. Eemaldage aku laadijast.

Aku oleku LED-märgutuli akulaadijal

Akulaadija punane LED-märgutuli (A) ja roheline LED-märgutuli (B) näitavad aku olekut. Vt jaotist *Akulaadija tõrkeotsing lk 176.*

(Joon. 35)

| LED-tuli | Aku olek |
|--|--|
| Roheline LED-märgutuli vilgub kiiresti. | Aku laeb. |
| Roheline LED-märgutuli vilgub aeglaselt. | Aku on laetud 80%. |
| Põleb roheline LED-märgutuli. | Aku on täis laetud. |
| Törke LED-märgutuli põleb. | Vt jaotist <i>Akulaadija tõrkeotsing lk 176.</i> |
| Punane LED-märgutuli vilgub kiiresti. | Vt jaotist <i>Akulaadija tõrkeotsing lk 176.</i> |

Aku oleku LED-märgutuli tootel

Kui aku on tootesse paigaldatud, näitavad toote LED-märgutuled aku olekut.

(Joon. 36)

| LED-tuli | Aku olek |
|------------------------------|--|
| LED-tuled 1, 2 ja 3 põlevad. | Täielikult laetud. |
| LED 1 ja 2 süttivad. | Piisavalt laetud |
| LED 1 põleb. | Aku tase on madal. |
| Vilgub LED-tuli 1. | Aku on tühi. Aku oleku indikaator vilgub. Laadige akut. Vt jaotist <i>Aku laadimine lk 173</i> . |

Toote käivitamine

1. Avage akukaas.
2. Asetage laetud aku akupessa.
3. Keerake ohutuslüüti asendisse 1. (Joon. 37)
4. Olge toote taga.
5. Avage käivitustõkesti. (Joon. 26)
6. Lükake mootori pidurikäepidet juhtraua suunas. (Joon. 38)

Suure koormuse funktsioon

Kui seade niidab märga või pikka rohtu, suureneb mootori pöörete arv minutis automaatselt. Kui koormus langeb, lülitub mootor automaatselt tagasi tavarežiimile.

Mootori seiskumine

Kasutamise ajal võivad lõikeketera ja mootor takistuste tõttu ajutiselt seiskuda, näiteks kui lõikekorpuse all tekib muruummistus. Vt jaotist *Toote puhastamine lk 175*.



HOIATUS: Enne lõikekorpuse kontrollimist vabastage mootori

pidurikäepide, keerake ohutuslüüti asendisse 0, eemaldage aku ja oodake vähemalt viis sekundit. Takistuse eemaldamise ja toote ootamatu käivitumise korral esineb vigastusohu.

Toote seiskamine



HOIATUS: Keera ohutuslüüti asendisse 0, enne kui lasete tootel eemale liikuda.

1. Mootori seiskamiseks vabastage mootori pidurikäepide. (Joon. 39)
2. Avage akukaas ja keerake ohutuslüüti asendisse 0. (Joon. 40)
3. Aku eemaldamiseks vajutage vabastusnuppu ja tõmmake aku välja. (Joon. 41)
4. Laadige akut, kui see on tühjenenud. Lisateavet vt *Aku laadimine lk 173*.

Hea tulemuse saavutamiseks

- Kasutage vahedat lõikeketera. Nüri tera annab ebaühtlase tulemuse ja muru lõigatud osa muutub kollaseks. Terav lõikeketera on nüri teraga võrreldes energiasäästlikum.
- Lõigake kuni pool muru pikkusest. Niitke kõigepealt kõrgele reguleeritud lõikamiskõrgusega. Vaadake tulemust ja seadistage lõikamiskõrgus soovitud madalamale tasemele. Kui muru on väga pikk, sõitke aeglaselt ja vajadusel niitke kaks korda.
- Niitke iga kord erinevas suunas, et ära hoida triipude tekkimist murule.
- Hoidke lõikamiskatte puhtana. Lõikamiskatte siseküljele kogunevad rohuäägid ja mustus võivad lõikamise tõhusust vähendada. Vt jaotist *Toote puhastamine lk 175*.

Hooldamine

Sissejuhatus



HOIATUS: Enne seadme hooldamist lugege põhjalikult läbi ohutus puudutav peatükk.

Seadme hooldamiseks ja remontimiseks on vaja erioskusi. Tagame asjatundliku remondi- ja hooldustöö. Kui edasimüüjal, kellelt toote ostsite, pole hooldustöökoda, küsige neilt teavet lähima hooldustöökoha kohta.

Lisateavet vt www.husqvarna.com.

Hooldusgraafik

Hooldusintervallide arvutamisel on aluseks võetud seadme igapäevane kasutamine. Intervallid muutuvad, kui seadet igapäevaselt ei kasutata.

Tärniga (*) tähistatud hooldustööde kohta leiuate juhised peatükist *Ohutus lk 166*.

| | Igal kasutuskorral | Iga kuu | Igal hooajal |
|--|--------------------|---------|--------------|
| Tehke üldkontroll. | X | | |
| Puhastage toode. | X | | |
| Kontrollige käivitustökestit. * | X | | |
| Veenduge, et toote ohutusseadistel poleks defekte. * | X | | |
| Kontrollige löikeosa. | X | | |
| Kontrolli löikekorpust. * | X | | |
| Kontrollige mootori pidurikäpedit. * | X | | |
| Veenduge, et aku poleks kahjustusi. | X | | |
| Kontrollige aku laetust. | X | | |
| Veenduge, et aku vabastusnupp töötaks korralikult ning et aku lukustuks kindlat seadme külge. | X | | |
| Veenduge, et akulaadija poleks kahjustusi ja et see töötaks korrektselt. | | X | |
| Kontrollige aku ja seadme vahelisi ühendusi. Samuti kontrollige aku ja akulaadija vahelisi ühendusi. | | | X |

Üldkontrolli läbiviimine

- Veenduge, et toote mutrid ja kruvid oleksid pingutatud.
- Veenduge, et toote juhtmed ei oleks sellises asendis, kus need võiksid kahjustada saada.

Toote puhastamine

- Puhastage plastosi puhta ja kuiva lapiga.
- Ärge puhastage seadet veega. Vesi võib pääseda aku või mootori sisse ja põhjustada lühise või kahjustada toodet.
- Ärge kasutage seadme puhastamiseks survepesurit.
- Ärge valage vett otse mootorile.
- Eemaldage lehed, muru ja pori harja abil.

Aku ja akulaadija puhastamine



HOIATUS: Ärge puhastage akut või akulaadijat veega.



HOIATUS: Ärge kasutage aku puhastamiseks mis tahes kemikaale.

- Enne aku asetamist akulaadijasse veenduge, et aku ja akulaadija oleksid puhtad ja kuivad.
- Puhastage akuklemmid suruõhu või pehme ja kuiva riidelapiga.

- Puhastage aku ja akulaadija välispinnad pehme ja kuiva riidelapiga.

Löikeosa kontrollimine



HOIATUS: Juhusliku käivitumise vältimiseks keerake ohutuslüüti asendisse 0, eemaldage aku ja oodake vähemalt viis sekundit.



HOIATUS: Löikeosa hooldamisel kandke kaitsekindaid. Lõiketera on väga terav ja võib kergesti põhjustada löikevigastusi.

1. Kontrollige löikeosa kahjustuste ja mõrade suhtes. Kahjustatud löikeosa tuleb alati välja vahetada.
2. Kontrollige, kas lõiketera on kahjustatud või nürri.

Märkus: Teritamise järel tuleb lõiketera tasakaalustada. Lõiketera teritamine, asendamine ja tasakaalustamine usaldage hooldustehnikule. Kui toode pörkub vastu eset, mis põhjustab toote seiskumise, vahetage välja kahjustatud lõiketera. Laste hoolduskeskuses hinnata, kas tera saab teritada või tuleb see välja vahetada.

Lõiketera vahetamine

Vt jaotist *Tehnilised andmed lk 179* õiget tüüpi lõiketera leidmiseks.



HOIATUS: Lukustage lõiketera mõne puuklotsiga, et vältida lõiketera vahetamisel sõrmede vigastamist. Lõiketera võib liikuda, kui mootor on välja lülitatud, ning sõrmed võivad lõiketera ja liikumatute osade vahele jääda.

1. Lukustage lõiketera mõne puuklotsiga. (Joon. 42)
2. Eemaldage lõiketera polt.
3. Eemaldage lõiketera.
4. Eemaldage lõiketera tugi ja polt ning kontrollige, kas esineb kahjustusi.
5. Kontrollige mootori võlli ja veenduge, et see poleks väändunud.
6. Uue lõiketera kinnitamisel suunake nurksed otsad lõikekorpuse poole. (Joon. 43)

7. Veenduge, et lõiketera ja mootori võlli kese oleksid kohakuti.
8. Lukustage lõiketera mõne puuklotsiga. Kinnitage vedruseib ning pingutage polti ja seibi momendiga 23-28 Nm. (Joon. 44)
9. Keerake tera käega, veendumaks, et see pöörleb vabalt.



HOIATUS: Kasutage tugevaid kindaid. Lõiketera on väga terav ja võib kergesti põhjustada lõikevigastusi.

10. Tera katsetamiseks käivitage toode. Kui tera on valesti kinnitatud, siis toode vibreerib ja niitmistulemus pole rahuldav.

Veatsing

Akulaadija tõrkeotsing

| Akulaadija LED-tuli | Põhjus | Lahendus |
|---|--|---|
| Roheline LED-tuli põleb ja punane LED-tuli vilgub. | Aku ei ole akulaadijasse õigesti paigaldatud. | Eemaldage aku laadijast ja paigaldage aku uuesti aku laadijasse. |
| | Akukonnektorid on määratud. | Puhastage akukonnektorid. |
| | Laadija tuvastas sisemise tõrke. | Veenduge, et kõik akud on korrektselt sisestatud. Eemaldage toitepistik ja sisestage uuesti. Kui tõrge kordub, laske laadija Husqvarna toodete volitatud müügiärgses teeninduskeskuses üle kontrollida. |
| | Aku on defektne. | Vahetage aku välja. |
| Punane LED-tuli põleb ja roheline LED-tuli ei põle. | Aku temperatuur on väljaspool laadimisvahemikku. | Oodake, kuni aku temperatuur on taas lubatud laadimistemperatuuri vahemikus (0-45°C). |
| Roheline LED-tuli ja punane LED-tuli on kustunud. | Akulaadija ei ole korralikult vooluvõrku ühendatud. | Ühendage akulaadija vooluvõrgu pesasse. |
| | Vigane pistikupes. | Ühendage akulaadija andmesildil näidatud pinge ja saagedusega võrku. |
| | Akulaadija kaabel on defektne. | Pöörduge volitatud hooldustöökoja poole. |
| | Akulaadija on defektne. | |
| Muud tõrked. | Muude tõrgete ilmumise korral veenduge, et toode on välja lülitatud, eemaldage aku ja võtke ühendust volitatud hooldustöökojaga. | |

Muruniiduki tõrkeotsing

Hoiatustuli (tõrke LED-tuli) asub toote tagaosas akukatte taga.

| Probleem | Tõrke LED-tuli (vilkumiste arv) | Põhjus | Lahendus |
|--|--|--|--|
| Tõrke-LED-tuli vilgub. Toode ei tööta korralikult. | 5 | Lõiketera liikumine on takistatud. | Keera ohutuslüli asendisse 0, et vältida juhuslikku käivitumist. Eemalda aku ja oota vähemalt 5 sekundit. Eemalda võimalikud takistused ja veendu, kas terad liiguvad vabalt. Probleemi püsimisel pöördu volitatud hooldustöökoja poole. |
| | | Mootori kiirus langeb liigselt ja mootor seiskub. | Suurendage lõikamiskõrgust. Vt jaotist <i>Lõikamiskõrguse reguleerimine lk 173</i> . |
| | 10 | Mootori juhtseade on liiga kuum. | Seisake mootor ja oodake, kuni see on jahtunud. |
| Tõrke-LED-tuli vilgub. Seade seiskub. | 22 | Aku temperatuur on liiga kõrge, kuna töökeskkonna temperatuur on liiga kõrge. | Eemaldage aku masinast ja oodake enne masina uuesti käivitamist, kuni see jahtub. Veenduge, et õhutemperatuur on õige. Kasutage akut temperatuurivahemikus 0°C kuni +40°C. Probleemi püsimisel pöörduge volitatud hooldustöökoja poole. |
| | | Aku temperatuur on liiga kõrge, kuna mootor on ülekoormatud | Suurendage lõikamiskõrgust. Vt jaotist <i>Lõikamiskõrguse reguleerimine lk 173</i> . Probleemi püsimisel pöördu volitatud hooldustöökoja poole. |
| | 0 | Akukonnektori tõrge. | Kontrollige akukonnektorit. |
| | 3 | Mootor on ülekoormatud. | Suurendage lõikamiskõrgust. Vt jaotist <i>Lõikamiskõrguse reguleerimine lk 173</i> . |
| | 9 | Aku tõrge või aku signaali pole. | Asetage aku õigesti seadmesse ja kontrollige akukonnektorit. Kui aku tõrke LED-tuli vilgub, vt <i>Akulaadja tõrkeotsing lk 176</i> . Probleemi püsimisel pöördu volitatud hooldustöökoja poole. |
| | 8 | Aku on tühjenenud. | Laadige akut. Vt jaotist <i>Aku laadimine lk 173</i> . |
| | 12 | Vale käivitustoiming. Mootori pidurikäpide on rakendatud enne mootori käivitumist. | Vabastage mootori pidurikäpide ja oodake umbes 5 sekundit. Lükka mootori pidurikäpide uuesti alla toote käivitamiseks. |
| Muud tõrked. | Muude tõrgete ilmnemise korral keerake ohutuslüli asendisse 0, eemaldage aku ja võtke ühendust volitatud hooldustöökojaga. | | |

Transportimine, hoiulepanek ja utiliseerimine

Sissejuhatus

0, eemaldage aku ja oodake vähemalt viis sekundit.



HOIATUS: Transportimise ja hoiustamise ajal juhusliku käivitumise vältimiseks keerake ohutuslüli asendisse

Seadme seadmine transportasendisse

1. Eemaldage rohkogur ja veenduge, et see oleks tühi.
2. Keerake käepideme lukustusnuppe vastupäeva (avatud asendisse). (Joon. 45)
3. Lükake käepidet tagakaane suunas.
4. Keerake käepideme lukustusnupud päripäeva (lukus asendisse).
5. Keerake käepideme nupud lukust avatud asendisse. (Joon. 46)
6. Klappige käepide alla, kuni kuulete klõpsatust. (Joon. 47)

Vt jaotist *Toote seadmine hoiuasendisse lk 178* toote hoiustamiseks.

Transportimine

- Liitium-ioonakudele kehtivad ohtlike kaupade veonõuded.
- Kaubandusliku transpordi korral tuleb järgida pakendamise ja märgistamise erinõudeid.
- Toote transportimiseks ettevalmistamisel järgige kindlasti ohtlikele ainetele kehtivaid eeskirju. Kehtida võivad ka kohalikud eeskirjad.
- Transpordi ajaks tuleb aku alati eemaldada.
- Katke akukonnektorid isoleerteibiga ja veenduge, et aku ei saaks transportimise ajal liikuma hakata.
- Kinnitage seade transportimise ajaks.

Hoiustamine

- Enne hoiustamist laske tootel jahtuda.
- Hoiustamise ajaks tuleb aku alati eemaldada.
- Õnnetuste vältimiseks veenduge, et aku ja seade poleks hoiustamise ajal ühendatud.
- Hoidke akulaadijat suletud ja kuivas kohas.
- Hoidke akut ja akulaadijat kuivas kohas, kus pole niiskust ja miinuskraade.
- Ladustamise ajaks lahutage aku akulaadija küljest.
- Ärge hoidke akut kohas, kus võib tekkida staatiline elekter. Ärge hoidke akut metallkastis.
- Hoidke toodet kohas, kus õhutemperatuur jääb vahemikku -20 °C kuni $+50\text{ °C}$.
- Hoidke akut kohas, kus õhutemperatuur jääb vahemikku -20 °C kuni $+50\text{ °C}$ ja kuhu ei paista otsene päikesevalgus.
- Hoidke akulaadijat kuivas ja mittekülmavas ruumis.
- Enne aku pikemaajalist hoiustamist veenduge, et see on puhas ja laetud.
- Hoidke seadet, akut ja akulaadijat suletud ruumis, kuhu ei pääse lapsed ja volitamata kõrvalised isikud.
- Puhastage toode ja veenduge, et rohkogur oleks tühi.
- Tehke kasutusjuhendis toodud hooldustoimingud. Vt jaotist *Hooldamine lk 174*.

- Enne toote pikaajalist hoiustamist tehke sellele täishooldus.

Toote seadmine hoiuasendisse



HOIATUS: Transportimise ja hoiustamise ajal juhusliku käivitumise vältimiseks keerake ohutuslülitid asendisse 0, eemaldage aku ja oodake vähemalt viis sekundit.

1. Eemaldage aku.
2. Seadme transportasendisse seadmine. Vt jaotist *Seadme seadmine transportasendisse lk 178*.
3. Viige toode hoiukohta.

Toote hoiustamine horisontaalselt maapinnal

1. Seadke see hoiuasendisse. Vt jaotist *Toote seadmine hoiuasendisse lk 178*.
2. Kinnitage rohkogur. Vt jaotist *Rohkoguri kinnitamine lk 179*.
3. Hoiustage toodet horisontaalselt maapinnal. (Joon. 48)

Toote hoiustamine vertikaalselt maapinnal

1. Seadke see hoiuasendisse. Vt jaotist *Toote seadmine hoiuasendisse lk 178*.
2. Tõstke toode käepideme tõstepunktide abil üles ja seadke toode vertikaalselt ühetasasele maapinnale. (Joon. 49)



HOIATUS: Ärge tõstke toodet löikekorpusest. Lõiketera on väga terav ja võib gergesti põhjustada löikevigastusi.

3. Kinnitage rohkogur. Vt jaotist *Rohkoguri kinnitamine lk 179*.
4. Veenduge, et toode on stabiilne ja kaks tugijalga puudutavad maapinda.
5. Hoiustage toodet vertikaalselt maapinnal. (Joon. 50)

Toote vertikaalne hoiustamine komplekti kuuluva konksuga



HOIATUS: Riputage toode seinale üksnes komplekti kuuluva konksu abil.

1. Paigaldage komplekti kuuluv konks. Vt jaotist *Konksu seinale paigaldamine lk 172*.
2. Seadke see hoiuasendisse. Vt jaotist *Toote seadmine hoiuasendisse lk 178*.
3. Tõstke toodet käepideme tõstepunktide abil. (Joon. 49)



HOIATUS: Ärge tõstke toodet lõikekorpusest. Lõiketera on väga terav ja võib kergesti põhjustada lõikevigastusi.

- Riputage toode komplekti kuuluva konksu abil vertikaalselt. Vt jaotist *Konksu seinale paigaldamine lk 172*. (Joon. 51)
- Veenduge, et toode ripub õigesti ja on konksu küljes stabiilselt.
- Kinnitage rohukogur. Vt jaotist *Rohukoguri kinnitamine lk 179*.

Rohukoguri kinnitamine

- Kinnitage rohukogur toote esiküljel olevasse soonde. (Joon. 52)
- Lükake rohukoguri alumist osa tõstepunkti vastu, kuni kuulete klõpsatust. (Joon. 53)

Utiliseerimine

Tootel või selle pakendil olevad sümbolid viitavad, et toodet ei tohi visata olmeprügi hulka. See tuleb

toimetada ettenähtud vastuvõtupunkti, kus elektri- ja elektroonikaseadmed võetakse uuesti ringlusesse.

Hoolitsedes toote eest õigel viisil, aitate vähendada võimalikke negatiivseid mõjusid keskkonnale ja inimestele, mis võivad avalduda toote vale käitlemise korral. Lisateabe saamiseks toote ringlussevõtu kohta pöörduge vastava kohaliku ametkonna, jäätmeäitlusettevõtte või toote müünud kaupluse poole.

(Joon. 54)

Ainult ELI riikide jaoks: Vastavalt direktiivile 2006/66/EÜ tuleb defektsed akud või kasutatud pakendid/akud eraldi kokku koguda ja utiliseerida keskkonnasõbralikul viisil.

Ainult Ühendkuningriigi jaoks: Vastavalt 2009. aasta patareide ja akude jäätmemäärustele (SI 2009/890) (muudetud kujul) tuleb kasutusest eemaldatud akud/patareid koguda kokku eraldi ja kõrvaldada keskkonnasõbralikul viisil.

Tehnilised andmed

Tehnilised andmed

| | Aspire LC34-P4A |
|--|-----------------------|
| Lõikemootor | |
| Mootori tüüp | BLDC (harjadeta) 18 V |
| Mootori pöörlemissagedus – nimisagedus, p/min | 3000 |
| Mootori pöörlemissagedus – suur koormus, p/min | 3500 |
| Mootori väljundvõimsus – max kW | 0,7 |
| Mootori väljundvõimsus – nimivõimsus, kW | 0,5 |
| Veomootor | |
| Mootori väljundvõimsus – nimivõimsus, kW | – |
| Iseliikumiskiirus, km/h | – |
| Reguleeritavad kiirusetasemed | – |
| Kaal | |
| Mass ilma kotita (v.a aku), kg | 11,5 |
| Kaal koos kotiga (sh 1 x P4A 18-B72), kg | 13,5 |
| Aku | |
| Aku tüüp | Liitiumioonaku |
| Aku tööaeg | |

| | |
|--|------------------------|
| | Aspire LC34-P4A |
| Aku tööaeg, min, ²⁹ | 60 |
| Müratasemed ³⁰ | |
| Helivõimsuse tase, mõõdetud dB(A) | 86 |
| Helivõimsuse tase, garanteeritud L _{WA} dB(A) | 87 |
| Helitasemed ³¹ | |
| Helirõhutase kasutaja kõrva juures, dB(A) | 74 |
| Vibratsioonitase ³² | |
| Käepide, m/s ² | 0,5 |
| Lõikeosa | |
| Lõikekõrgus, mm | 30-65 |
| Niitmislaius, cm | 34 |
| Lõiketera, standardne | Combi 5375561-10 |
| Lõiketera, lisatarvik | – |
| Rohukoguri maht, l | 30 |

Heakskiidetud akud

Seda toodet saab kasutada kõigi **POWER FOR ALL** akudega. Parima jõudluse saavutamiseks on soovitatav kasutada minimaalselt 4,0 Ah akusid.

| Aku | P4A 18-B45 | P4A 18-B72 |
|----------------------------------|----------------|----------------|
| Tüüp | Liitiumioonaku | Liitiumioonaku |
| Aku mahtuvus, Ah | 2,5 | 4,0 |
| Nimipinge, V | 18 | 18 |
| Kaal, kg | 0,35 | 0,65 |
| Elementide arv (liitium-ioonaku) | 5 | 10 |

Heakskiidetud akulaadijad

| Akulaadija | P4A 18-C70 |
|----------------|------------|
| Sisendpinge, V | 220–240 |

²⁹ (vabajooksul) aktiveeritud standardrežiimi ja ühe Husqvarna 4,0 Ah akuga (P4A 18-B72).

³⁰ Müraemissioon ümbritsevasse keskkonda, mõõdetud helivõimsuse tasemena (L_{WA}) vastavalt EÜ direktiivile 2000/14/EÜ

³¹ Helirõhu taseme kohta esitatud andmete määramatuse tegur (K) on 1,5 dB(A).

³² Vibratsioonitasemete kohta esitatud andmete määramatuse tegur (K) on 1,5 m/s². Esitatud vibratsiooni koguväärtust on mõõdetud vastavalt standardi EN 62841-4-3 lisale I ning seda võidakse kasutada masinate omavaheliseks võrdlemiseks ja kokkupuute esialgseks hindamiseks.

| | |
|-------------------|-------------------|
| Akulaadija | P4A 18-C70 |
| Sagedus, Hz | 50-60 |
| Võimsus, W | 70 |

Vastavusdeklaratsioon

EÜ vastavusdeklaratsioon

Husqvarna AB, SE-561 82 Huskvarna, Rootsi, tel: +46
3614 6500, kinnitab ainuvastutusel, et toode:

| | |
|---------------------------|------------------------------------|
| Kirjeldus | Muruniiduk |
| Kaubamärk | Husqvarna |
| Tüüp/mudel | Aspire LC34-P4A |
| Identifitseerimine | Seerianumbrid alates 2022. aastast |

vastab täielikult järgmistele EÜ direktiividele ja määrustele:

| Määrus | Kirjeldus |
|------------|---|
| 2006/42/EÜ | „masinadirektiiv“ |
| 2014/30/EL | „elektromagnetilise ühilduvuse direktiiv“ |
| 2000/14/EÜ | „seadmete müra kohta käiv direktiiv“ |
| 2011/65/EL | „elektri- ja elektroonikaseadmetes teatavate ohtlike ainete kasutamise piiramise direktiiv“ |

ja et kohalduvad järgmised standardid ja/või tehnilised spetsifikatsioonid: EN 62841-1:2015/AC:2015, EN IEC 62841-4-3:2021/A11:2021, EN ISO 12100:2010, EN 55014-1:2021, EN 55014-2:2021, EN IEC 61000-6-2:2019, EN IEC 61000-6-3:2021, EN IEC 63000:2018

Teavitatud asutus: 0404, RISE SMP Svensk Maskinprovning AB, Box 4053, SE-904 03 Umeå, Sweden kinnitab vastavust nõukogu direktiivile 2000/14/EÜ, vastavushindamise menetlus: lisa VI.

Lisateavet mürataseme kohta vt *Tehnilised andmed lk 179*.

Huskvarna, 2022-10-24



Claes Losdal, aiandustoodete arendusdirektor,
Husqvarna AB

Tehnilise dokumentatsiooni eest vastutaja



Autoriõigus © 2012–2020 STMicroelectronics

Garantiid alla ei kuulu defektid, mis on tingitud tavalisest kulumisest, seadmega hooletust ümberkäämisest, valel otstarbel kasutamisest, volitamata remontimisest või imemisseadme ühendamisest vale pingega.

Kõik õigused kaitstud.

Edasi levitamine ja kasutamine lähte- ja kahendvormingus, muudatustega või ilma, on lubatud, kui on täidetud järgmised tingimused:

- Lähtekoodi edasilevitamisel tuleb säilitada ülalloodud autoriõiguse teatis, käesolev tingimuste loend ja järgmine lahtiütlus.
- Kahendvormingus levitamisel tuleb dokumentatsioonis ja/või muudes levitamiseks kaasas olevates materjalides reprodutseerida ülalloodud autoriõiguse teatis, käesolev tingimuste loend ja järgmine lahtiütlus.
- STMicroelectronicsi ega ka selle kaasautorite nimesid ei tohi kasutada sellest tarkvarast tuletatud toodete toetamiseks ega reklaamimiseks ilma eelneva kirjaliku loata.

SEDA TARKVARA PAKUVAD AUTORIOIGUSTE OMANIKUD JA KAASAUTORID SELLENA NAGU SEE ON NING MIS TAHES OTSESTEST VÕI KAUDSETEST GARANTIIDEST (SEAHULGAS KAUDSED GARANTIID KAUBELDAVUSE JA KONKREETSEKS OTSTARBEKS SOBIVUSE KOHTA) LOOBUTAKSE. AUTORIOIGUSE OMANIK VÕI KAASAUTORID EI VASTUTA MITTE MINGIL JUHUL OTSESTE, KAUDSETE, JUHUSLIKE, ERILISTE, NÄITLIKE EGA TEKINUD KAHJUDE EEST (SEAHULGAS ASENDUSKAUPADE VÕI -TEENUSTE HANKIMINE; KASUTAMISE, ANDMETE VÕI KASUMI KADU; VÕI ÄRIKATKESTUS) OLENEMATA PÕHJUSEST JA MIS TAHES VASTUTUSE TEOORIAST, OLENEMATA SELLEST, KAS SEE ON LEPINGULINE, RANGE VASTUTUS VÕI KAHJU (KAASA ARVATUD HOOLETUSEST VÕI MUUL VIISIL TEKINUD), MIS TULENEVAD MIS TAHES VIISIL SELLE TARKVARA KASUTAMISEST, ISEGI KUI SELLISE KAHJU VÕIMALUSEST TEAVITATAKSE.

Apache 2.0 litsents

Autoriõigus © 2009–2019 Arm Limited. Kõik õigused kaitstud.

Versioon 2.0, jaanuar 2004 <http://www.apache.org/licenses/>

KASUTAMISE, REPRODUTSEERIMISE JA LEVITAMISE TINGIMUSED

1. Mõisted.

„**Litsents**“ tähendab kasutamise, reprodutseerimise ja levitamise tingimusi, nagu on määratletud käesoleva dokumendi jaotistes 1–9. „**Litsentsiandja**“ tähendab

autoriõiguse omanikku või autoriõiguse omaniku volitatud üksust, kes litsentsi välja annab. „**Juridiline isik**“ tähendab tegutseva üksuse ja kõigi teiste üksuste liitu, mis seda üksust kontrollivad, mida kontrollib see üksus või mis on selle üksusega ühise kontrolli all. Selle määratluse tähenduses tähendab „**kontroll**“ (i) otsest või kaudset õigust panna sellist üksust juhtima kas lepingu alusel või muul viisil või (ii) viiskümmend protsenti (50%) või rohkem käibelolevate aktsiate omandiõigusest või (iii) sellise üksuse tegelikku tulu. „**Teie**“ tähendab füüsilist või juriidilist isikut, kes kasutab selle litsentsiga antud õigusi. „**Allikas**“ tähendab eelistatud vormi muudatuste tegemiseks, sealhulgas tarkvara lähtekoodi, dokumentatsiooni allika ja konfiguratsioonifailide tegemiseks. „**Objekt**“ vorm tähendab mis tahes vormi, mis tuleneb lähtevormi mehaanilisest teisendamisest või tõlkimisest, sealhulgas kompleeritud objektikood, loodud dokumentatsioon ja teisendused muudele meediumitüüpidele. „**Tees**“ tähendab litsentsi alusel kättesaadavaks tehtud autoriteost, olgu see siis allika või objekti kujul, nagu on näidatud teosesse lisatuna või lisana kaasatud autoriõiguse märkusest (näide on toodud allolevas lisas). „**Tuletatud teosed**“ tähendab mis tahes allika või objekti vormis teost, mis põhineb teosel või on sellest tuletatud ja mille toimetuskäitlikud muudatused, annotatsioonid, täiendused või muud muudatused kujutavad endast tervikuna originaalteost autorlusest. Selle litsentsi tähenduses ei hõlma tuletatud teosed selliseid teoseid, mis jäävad teose ja tuletatud teoste liidestest eraldatavaks või on nendega ainult lingivad (või nime järgi seovad). „**Kaastöö**“ tähendab mis tahes autoriteost, kaasa arvatud teose algversioon ja selle teose või selle tuletatud teoste muudatused või täiendused, mille autoriõiguse omanik, tema volitatud isik või juriidiline isik on tahtlikult esitanud litsentsiandjale teosesse lisamiseks. Selle määratluse tähenduses tähendab „**esitatud**“ mis tahes vormis elektroonilist, suulist või kirjalikku suhtlust, mis saadetakse litsentsiandjale või tema esindajatele, sealhulgas e-postiloendites, lähtekoodi juhtimissüsteemides ja väljaannete jälgimissüsteemides, mida haldab litsentsiandja või litsentsiandja volitatud isik teose diskussiooni ja täiustamise eesmärgil, kuid välja arvatud suhtlus, mille autoriõiguse omanik on selgelt märkinud või muul viisil kirjalikult tähistanud kui „**Ei ole kaastöö**“. „**Kaasautor**“ tähendab litsentsiandjat ja mis tahes füüsilist või juriidilist isikut, kelle nimel litsentsiandja on kaastöö vastu võtnud ja seejärel teosesse lisanud.

2. Autoriõiguse litsentsi andmine.

Vastavalt selle litsentsi tingimustele annab iga kaasautor teile alalise, ülemaailmse, mitteeksklusiivse, tasuta, kasutus tasuta ja tühistamatu autoriõiguse litsentsi, et reprodutseerida, valmistada ette tuletatud teoseid, avalikult kuvada, avalikult esitada, all-litsentsida ja

levitada teost ja selliseid tuletatud teoseid allika või objekti kujul.

3. Patendilitsentsi andmine.

Vastavalt selle litsentsi tingimustele annab iga kaasautor teile alalise, ülemaailmse, mitteeksklusiivse, tasuta, kasutustasuta, tühistamatu (välja arvatud selles jaotises märgitud) patendilitsentsi, et teha, lasta teha, kasutada pakkuda teost müüa, müüa, impordida ja muul viisil üle anda, kui selline litsents kehtib ainult nende patendiõuete suhtes, mida see kaasautor litsentsib ja mida kaasautor rikub tingimata oma kaastöö(de)ga üksi või nende kaastöö(de) ja teosega ühiselt, millele selline/sellised kaastöö/kaastööd esitati. Kui algata te patendivaidluse mis tahes üksuse vastu (sealhulgas vastuhagi või vastuhagi kohtuasjas), väites, et teos või teoses sisalduv kaastöö kujutab endast otsest või kaastöö patendirikumist, lõpetavad teile selle teose jaoks selle litsentsi alusel antud patendilitsentsid kehtivuse kohtuvaidluse esitamise kuupäevast alates.

4. Ümberjaotus.

Võite reprodutseerida ja levitada teose või selle tuletatud teoste koopiaid mis tahes kandjal, muudatustega või ilma, ja allika või objekti kujul, tingimusel, et täidate järgmised tingimused:

- Peate andma kõigile teistele teose või tuletatud teoste saajatele selle litsentsi koopia; ja
- kõik muudetud failid peavad sisaldama konkreetseid märkuseid selle kohta, et muutsite faile; ja – peate säilitama mis tahes levitatavate tuletatud teoste lähtevormis kõik autoriõiguse, patendi, kaubamärgi ja omistamise märkused teose allika vormist, välja arvatud need märkused, mis ei puuduta tuletatud teoste ühegi osa. ; ja
- kui teos sisaldab levitamise osana tekstifaili „MÄRKUS“, peavad kõik teie levitatavad tuletatud teosed sisaldama loetavat koopiat sellises MÄRKUS-failis sisalduvatest omistamismärkustest, välja arvatud need märkused, mis ei puuduta tuletatud teose ühtegi osa vähemalt ühes järgmistest kohtadest: tekstifailis MÄRKUS, mida levitatakse tuletatud teoste osana; allika vormis või dokumentatsioonis, kui see esitatakse koos tuletatud teostega; või tuletatud teoste loodud kuvall, kui ja kus iganes sellised kolmanda osapoole märkused tavaliselt ilmuvad. MÄRKUSE faili sisu on ainult informatiivsel eesmärgil ega muuda litsentsi. Võite lisada oma omistumärkuseid tuletatud teostesse, mida levitate, koos teose MÄRKUSE tekstiga või selle lisana, eeldusel, et selliseid täiendavaid omistamismärkuseid ei saa tõlgendada litsentsi muutmisena. Võite lisada oma muudatustele oma autoriõiguse avalduse ja pakkuda täiendavaid või erinevaid litsentsitingimusi teie muudatuste kasutamiseks, reprodutseerimiseks või levitamiseks või mis tahes sellisele tuletatud teosele tervikuna, tingimusel et kasutate, reprodutseerite ja levitate muul viisil teost, mis vastab käesolevas litsentsis sätestatud tingimustele.

5. Kaastööde esitamine.

Kui te ei ole sõnaselgelt teatanud teisiti, kehtib teie poolt litsentsiandjale tahtlikult töösse lisamiseks esitatud kaastöö selle litsentsi tingimuste ja täiendavate tingimusteta. Olenemata ülaltoodust ei asenda ega muuda miski siinkirjeldatud eraldi litsentsilepingu tingimusi, mille olete litsentsiandjaga selliste kaastööde osas sõlminud.

6. Kaubamärgid.

See litsents ei anna luba kasutada litsentsiandja kaubanimi, kaubamärke, teenusemärke või tootenimesid, välja arvatud juhul, kui see on vajalik mõistlikuks ja tavapäraseks kasutamiseks töö päritolu kirjeldamisel ja MÄRKUSE faili sisu reprodutseerimisel.

7. Garantiist loobumine.

Välja arvatud juhul, kui kohaldatav seadus seda nõuab või kirjalikult kokku lepitud ei ole, annab litsentsiandja teose kasutusse (ja iga kaasautor annab oma kaastöö) SELLISELT, NAGU SEE ON, ILMA MIS TAHES otseste või kaudsete GARANTIIDETA VÕI TINGIMUSTETA (sealhulgas ilma piiranguteta mis tahes OMANDIÕIGUSE, MITTERIKKUMISE, TURUSTATAVUSE või TEATUD OTSTARBEKS SOBIVUSE garantiideta või tingimusteta). Te vastutate ainuisikuliselt teose kasutamise või edasilevitamise asjakohasuse kindlaksmääramise eest ja võtate endale kõik selle litsentsi alusel antud lubade kasutamise seotud riskid. 8. Piiratud vastutus. Mitte mingil juhul ja ühegi õigusteooria alusel, s.o. kahjnuõuete (sealhulgas hooletuse), lepingu või muul viisil, välja arvatud juhul, kui kohaldatav seadus seda nõuab (nt tahtlikud ja tõsised hooletud teod) või kirjalike kokkulepeteta, ei vastuta kaasautor teie ees kahjude eest, sealhulgas mis tahes otsesed, kaudsed, erilised, juhuslikud või kaudsed kahjud, mis tulenevad sellest litsentsist või teose kasutamisest või suutmatuses seda kasutada (sealhulgas kahjud, mis tulenevad firmaväärtuse kadumisest, tööseisakust, arvutirikkest või talitlushäirest, või mis tahes muud ärilised kahjud või kaotused), isegi kui sellist kaasautorit on selliste kahjude võimalikkusest teavitatud.

9. Garantii või lisavastutuse aktsepteerimine.

Teose või sellest tuletatud teoste edasilevitamisel võite valida, kas soovite pakkuda toetust, garantiid, hüvitist või muid käesoleva litsentsiga koosõlas olevaid kohustusi ja/või õigusi ning võtta selle eest tasu. Selliseid kohustusi vastu võttes võite tegutseda ainult enda nimel ja oma ainuvastutusel, mitte ühegi teise kaasautori nimel ja ainult siis, kui nõustute hüvitama, kaitsma ja hoidma iga kaasautorit mis tahes vastutuse eest, mis on tekkinud: või nõuded, mis on sellise kaasautori vastu esitatud, kuna nõustute mis tahes sellise garantii või lisavastutusega. TINGIMUSTE LÕPP

Registreeritud kaubamärgid

QR-kood on DENSO WAVE INCORPORATED
registreeritud kaubamärk Jaapanis.

Sisällys

| | | | |
|-------------------|-----|---|-----|
| Johdanto..... | 186 | Kuljettaminen, säilyttäminen ja hävittäminen..... | 199 |
| Turvallisuus..... | 187 | Tekniset tiedot..... | 200 |
| Asentaminen..... | 193 | Vaatimustenmukaisuusvakuutus..... | 203 |
| Käyttö..... | 193 | Lisenssit..... | 204 |
| Huolto..... | 195 | Rekisteröidyt tavaramerkit..... | 206 |
| Vianmääritys..... | 197 | | |

Johdanto

Tuotekuvaus

Tuote on kävellen ohjattava ja pyörivä ruohonleikkuri. Leikattu ruoho kerätään ruohonkerääjään. Voit ottaa ruohon taaksehoitotoiminnon käyttöön irrottamalla ruohonkerääjän. Voit tehdä ruohon leikkuujätteestä lannoitetta liittämällä ruohonleikkuriin silppurin.

Käyttötarkoitus

Käytä laitetta ruohon leikkuuseen. Älä käytä laitetta muihin tehtäviin.

Tuotteen kuvaus

(Kuva 1)

1. Moottorin jarrukahva
2. Käynnistyksenesto
3. Kahva/kahvasto
4. Kahvaston lukitusnappi
5. Kahvan nupit
6. Ruohonkerääjä
7. Silppurin tulppa
8. Takasuojus
9. Laitteen LED-valo
10. Varoitusmerkkivalo (vian merkkivalo)
11. Turva-avain
12. Akkukotelo
13. Akun kansi
14. Symbolit
15. Leikkuukorkeuden säätövipu
16. Akku (lisävaruste)
17. Akkulaturi (lisävaruste)
18. Punainen merkkivalo
19. Vihreä merkkivalo
20. Nostokohdat
21. Koukku
22. Käyttöohje

Laitteen symbolit

(Kuva 2) VAROITUS

Pikaopas

Avaa tuotteen käyttöohjeet skannaamalla QR-koodi.



(Kuva 3) Lue ohjeet.

(Kuva 4) VAROITUS – Varo sinkoutuvia esineitä.

(Kuva 5) Pidä sivulliset loitolla.

(Kuva 6) VAROITUS – Pidä kätesi ja jalkasi poissa terien läheisyydestä.

(Kuva 7) VAROITUS – Irrota akku ennen huoltoimenpiteitä.

(Kuva 8) Laitetta tai sen pakkausta ei saa hävittää kotitalousjätteen mukana. Vie se asianmukaiseen sähkö- ja elektroniikkalaitteiden keräyspisteeseen.

(Kuva 9) Melupäästöt ympäristöön -tarra EU:n ja Yhdistyneen kuningaskunnan direktiivien ja säädösten mukaisesti sekä Uuden Etelä-Walesin "Protection of the Environment Operations (Noise Control) Regulation 2017" -asetuksen mukaisesti. Laitteen taattu äänentehotaso on määritelty kohdassa *Tekniset tiedot sivulla 200* ja arvokilvessä.

(Kuva 10) Tämä lisälaite täyttää sovellettavien EY-direktiivien vaatimukset.

- (Kuva 11) Tämä tuote täyttää sovellettavien UK-säästösten vaatimukset.
- (Kuva 12) Laite on suojattu pystysuoraan tippuvalta vedeltä.
- (Kuva 13) Pysäytä vapauttamalla moottorin jarrukahva.
- (Kuva 14) Käynnistä terien veto työntämällä moottorin jarrukahvaa.
- (Kuva 15) Skannattava koodi.
- (Kuva 18) Lukitse tai avaa kääntämällä.

Huomautus: Muita laitteen symboleita/tarroja tarvitaan joillakin markkina-alueilla ilmaisemaan sertifiointivaatimuksia.

Akun ja/tai akkulaturin symbolit

- (Kuva 19) Vie tämä tuote asianmukaiseen sähkö- ja elektroniikkalaitteiden keräyspisteeseen. (Vain Eurooppa)

- (Kuva 20) Käytä akkua vain POWER FOR ALL-järjestelmäkumppanien tuotteissa.
- (Kuva 21) Suojaa akku tulelta, liialta, vedeltä, kosteudelta ja kuumuudelta, kuten jatkuvalta voimakkaalta auringonvalolta. Akku voi räjähtää tai voi aiheutua oikosulku.
- (Kuva 16) Käytä ja säilytä akkulaturia ainoastaan sisätiloissa.
- (Kuva 17) Kaksoiseristys.

Laiteen tarra

- (Kuva 23) VAARA – Pidä kädet ja jalat etäällä.

Tuotevastuu

Tuotevastuulain mukaisesti emme ole vastuussa tuotteen aiheuttamasta vaurioista, jos

- tuote on korjattu virheellisesti
- tuotteen korjaamiseen on käytetty muita kuin valmistajan omia tai sen hyväksymiä osia
- tuotteessa on muu kuin valmistajan oma tai sen hyväksymä lisävaruste
- tuotetta ei ole korjattu valtuutetussa huoltopisteessä tai hyväksytyllä asiantuntijalla.

Turvallisuus

Turvallisuusmääritelmät

Varoituksia, huomioita ja huomautuksia käytetään, kun jotakin käyttöohjeen osaa halutaan erityisesti korostaa.



VAROITUS: Tätä käytetään, jos käyttöohjeen noudattamatta jättämisestä voi seurata käyttäjän tai sivullisen vamma tai kuolema.



HUOMAUTUS: Tätä käytetään, jos käyttöohjeen noudattamatta jättämisestä voi seurata koneen, muiden materiaalien tai ympäristön vaurioituminen.

Huomautus: Tätä käytetään tietyissä tilanteissa tarvittavien lisätietojen antamiseen.

Yleiset tuoteturvavaroitukset



VAROITUS: Lue kaikki tämän laitteen mukana tulevat turvavaroitukset, ohjeet, kuvat ja tekniset tiedot. Alla olevien ohjeiden noudattamatta jättäminen voi johtaa sähköiskuun, tulipalloon ja/tai vakavaan tapaturmaan.

Säästä kaikki varoitukset ja ohjeet tulevaa käyttöä varten. Termillä "laite" tarkoitetaan varoituksissa verkkosähköllä toimivaa (johdollista) laitetta tai akkukäyttöistä (johdotonta) laitetta.

Työalueen turvallisuus

- **Pidä työalue siistinä ja hyvin valaistuna.** Sotkuiset tai hämärät alueet ovat alltiita onnettomuuksille.
- **Älä käytä laitetta räjähdysriskissä ympäristössä, esimerkiksi herkästi syttyvien nesteiden, kaasujen tai pölyn läheisyydessä.** Laitteesta lähtevät kipinät voivat sytyttää pölyn tai kaasut.

- **Pidä lapset ja sivulliset poissa, kun käytät laitetta.** Häiriöt voivat saada sinut menettämään työkalun hallinnan.

Sähköturvallisuus

- **Laitteen pistokkeen on sovittava pistorasiaan. Älä koskaan muuta pistoketta millään tavoin. Älä käytä mitään pistokesovittimia maadoitettujen laitteiden kanssa.** Muuttamattomat pistokkeet ja sopivat pistorasiat vähentävät sähköiskun vaaraa.
- **Varo koskettamasta maadoitettuja pintoja, kuten putkia, pattereita, liesiä ja jääkaappeja.** Sähköiskun riski kasvaa, jos käyttäjän keho on maadoitettu.
- **Älä altista laitteita sateelle tai märille olosuhteille.** Laitteeseen päässyt vesi lisää sähköiskun vaaraa.
- **Älä vahingoita johtoa. Älä koskaan käytä johtoa laitteen kantamiseen, vetämiseen tai irrottamiseen pistorasiasta. Pidä johto etäällä kuumuudesta, öljystä, terävistä reunoista tai liikkuvista osista.** Vialliset tai solmussa olevat johdot lisäävät sähköiskuvaaraa.
- **Kun käytät laitetta ulkona, käytä ulkotiloihin sopivaa jatkojohtoa.** Ulkokäyttöön sopivan johdon käyttäminen vähentää sähköiskun vaaraa.
- **Mikäli laitteen käyttämistä kosteassa ei voida välttää, käytä virtalähdettä, jossa on vikavirtasuojakytkin (RCD).** Vikavirtasuojakytkimen käyttäminen vähentää sähköiskuvaaraa.

Henkilökohtainen turvallisuus

- **Pysy valppaana, katso mitä teet ja käytä tervettä järkeä käyttäessäsi laitetta. Älä käytä laitetta väsyneenä tai alkoholin, huumeiden tai lääkityksen vaikutuksen alaisena.** Hetken epähuomio laitteita käytettäessä voi johtaa vakavaan henkilövahinkoon.
- **Käytä henkilökohtaisia suojavarusteita. Pidä aina silmäsuojia.** Hengityssuojain, luistamattomat turvakengät, kypärä, kuulosuojaimet ja muut suojavarusteet niitä vaativissa oloissa käytettyinä vähentävät henkilövahinkoja.
- **Estä tahaton käynnistys. Varmista, että katkaisin on OFF-asennossa ennen virtalähteen ja/tai akun kytkemistä, laitteeseen tarttumista tai sen kantamista.** Laitteiden kantaminen sormi kytkimellä tai virran kytkeminen laitteeseen, kun kytkin on käyttöasennossa, altistaa onnettomuuksille.
- **Irrota mahdolliset säätöavaimet ennen virran kytkemistä laitteeseen.** Laitteen pyöriivään osaan kiinnitetty avain voi aiheuttaa henkilövahingon.
- **Älä kurota. Säilytä aina tukeva asento ja tasapaino.** Tämä mahdollistaa laitteen paremman hallinnan odottamattomissa tilanteissa.
- **Pukeudu oikein. Älä käytä löysästi istuvia vaatteita tai koruja. Pidä hiukset ja vaatteet etäällä liikkuvista osista.** Löysät vaatteet, korut tai pitkät hiukset voivat tarttua liikkuviin osiin.
- **Jos käytettävissä on kytkentämahdollisuus pölypoistojärjestelmälle, varmista, että se kytketään**

ja että sitä käytetään oikein. Pölypoistojärjestelmän käyttö voi vähentää pölyyn liittyviä riskejä.

- **Vaikka olisit käyttänyt laitetta usein ja tuntisit ne hyvin, muista aina ottaa huomioon laitteen turvamaaraykset.** Huolimaton toiminta voi aiheuttaa vakavia vahinkoja sekunnin murto-osassa.

Laitteen käyttäminen ja huoltaminen

- **Älä käytä laitetta väkisin. Käytä käyttötarkoitukseen sopivaa laitetta.** Oikea laite tekee työn paremmin ja turvallisemmin nopeudella, jota varten se on suunniteltu.
- **Älä käytä laitetta, jos virtaa ei voi kytkeä ja katkaista virtakytkimellä.** Mikä tahansa laite, jota ei voi hallita virtakytkimellä, on vaarallinen, ja se pitää korjata.
- **Irrota pistoke pistorasiasta ja/tai akku laitteesta, mikäli mahdollista, ennen kuin teet mitään säätöjä, vaihdat lisävarusteita tai varastoit laitteita.** Nämä ennakoivat turvatoimet vähentävät laitteen vahingossa käynnistymisen vaaraa.
- **Varastoi käyttämättömät laitteet pois lasten ulottuvilta äläkä anna henkilöiden, jotka eivät tunne laitetta tai näitä ohjeita, käyttää laitetta.** Laitteet ovat vaarallisia taitamattomien käyttäjien käsissä.
- **Pidä laitteet ja lisävarusteet hyvässä kunnossa.** Tarkista, etteivät liikkuvat osat ole pois kohdaltaan tai juuttuneet, että mikään osa ei ole rikkoutunut ja että mikään muu olosuhde ei vaikuta laitteen toimintaan. Jos laite on vahingoittunut, korjauta se ennen käyttöä. Monet onnettomuudet johtuvat huonosti huolletusta laitteesta.
- **Pidä leikkaustyökalut terävinä ja puhtaina.** Oikein huolletut leikkaustyökalut, joiden leikkausreunat ovat terävät, eivät juutu kiinni niin helposti ja ovat helpommin hallittavissa.
- **Käytä laitetta, lisävarusteita, teriä jne. näiden ohjeiden mukaisesti ottaen huomioon työskentelyolosuhteet ja suoritettavan työn laadun.** Laitteen käyttäminen ennakoituista poikkeavissa olosuhteissa voi johtaa vaaratilanteeseen.
- **Pidä kahvat ja tarttumapinnat kuivina, puhtaina ja öljyttömänä sekä puhtaana vasellinista.** Liukkaat kahvat ja tarttumapinnat eivät mahdollista laitteen turvallista käsittelyä ja hallintaa odottamattomissa tilanteissa.

Akkukäyttöisten työkalujen käyttö ja huolto

- **Lataa akku ainoastaan valmistajan tarkoitukseen nimeämällä laturilla.** Tietynlaiseen akustoon soveltuva laturi voi aiheuttaa toisen akuston lataamiseen käytettynä tulipalon vaaran.
- **Liitä tuotteisiin ainoastaan niissä käytettäviksi hyväksytyjä akkuja.** Muunlaisten akkujen käyttö voi aiheuttaa tapaturmien tai tulipalon vaaran.
- **Kun akkua ei käytetä, pidä se etäällä metalliesineistä, kuten paperiliittimistä, kolikoista, avaimista, nauloista, ruuveista tai muista pienistä metalliesineistä, jotka saattavat aiheuttaa kosketuksen liittinten välillä.** Akkuliittinten saattaminen

keskenään oikosulkuun voi aiheuttaa palovammoja tai tulipalon.

- **Akusta voi tihkua nestettä väärissä olosuhteissa.** Vältä kosketusta akkuneesteeseen. Jos akkuneestettä joutuu iholle, huuhtele ihoalue vedellä. Jos neste joutuu kosketuksiin silmien kanssa, ota myös yhteys lääkäriin. Akkuneeste voi aiheuttaa ihoärsytystä tai palovammoja.
- **Älä käytä vaurioitunutta tai muutettua akkua tai työkalua.** Jos tuotteessa käytetään vaurioituneita tai muutettuja akkuja, tuote ei välttämättä toimi asianmukaisesti. Seurauksena saattaa olla tulipalo, räjähdys tai tapaturma.
- **Älä atista akkua tai työkalua tullele tai korkeille lämpötiloille.** Laitteen altistuminen tullelle tai yli 130 °C:n lämpötilalle voi aiheuttaa räjähdyksen.
- **Noudata kaikkia latausohjeita äläkä lataa akkua tai työkalua ohjeissa määritetyn lämpötila-alueen ulkopuolella.** Akun lataaminen väärin tai sallituista lämpötiloista poikkeavissa olosuhteissa voi vahingoittaa akkua ja lisätä tulipalorisksiä.

Palvelu

- **Anna laitteen korjaaminen pätevän korjaajan tehtäväksi.** Koneessa saa käyttää vain täysin samanlaisia varaosia. Näin taataan, että laitteen käyttöturvallisuus säilyy ennallaan.
- **Älä koskaan huolla vahingoittuneita akkuja.** Akkuja saavat huoltaa vain valmistaja ja valtuutetut palveluntarjoajat.

Ruohonleikkurin turvavaroitukset

- **Älä käytä ruohonleikkuria epäsuotuisissa sääolosuhteissa, etenkin jos salamointi on mahdollista.** Näin pienennät salamaniskujen riskiä.
- **Tarkista ruohonleikkurin käyttöalue perusteellisesti eläimien varalta.** Eläimet voivat loukkaantua ruohonleikkurin käytön aikana.
- **Tarkista ruohonleikkurin käyttöalue huolellisesti ennen käyttöä ja poista kaikki kivet, risut, johdot, luut ja muut vierasesineet.** Sinkoutuvat esineet voivat aiheuttaa henkilövahinkoja.
- **Tarkasta aina ennen ruohonleikkurin käyttöä silmämääräisesti, että terä ja teräkokoospano eivät ole kuluneet tai vaurioituneet.** Vaurioituneet tai kuluneet osat lisäävät loukkaantumisvaaraa.
- **Tarkasta ruohonkerääjä usein kulumisen tai heikkenemisen varalta.** Kulunut tai vaurioitunut ruohonkerääjä voi lisätä loukkaantumisriskiä.
- **Pidä suojukset paikoillaan. Suojusten on oltava toimintakunnossa ja oikein asennettuina.** Irallinen, vaurioitunut tai huonosti toimiva suojus voi aiheuttaa henkilövahinkoja.
- **Pidä kaikki jäähdytysilman tuloaukot puhtaina roskista.** Tukkeutuneet tuloaukot ja roskat voivat aiheuttaa ylikuumenemista tai tulipalon vaaran.
- **Käytä aina ruohonleikkurin käytön aikana luistamattomia suojajalkineita. Älä käytä ruohonleikkuria avojaloin tai avoimet sandaalit**

jalassa. Tämä vähentää jalkojen loukkaantumisen vaaraa, jos ne osuvat liikkuviin teriin.

- **Käytä pitkiä housuja aina ruohonleikkuria käyttäessäsi.** Paljas iho lisää lentävistä esineistä aiheutuvan loukkaantumisen todennäköisyyttä.
- **Älä käytä ruohonleikkuria märällä nurmikolla.** Liiku kävelyvauhtia, älä juosten. Tämä vähentää liukastumisen ja kaatumisen vaaraa, josta voi aiheutua henkilövahinkoja.
- **Älä käytä ruohonleikkuria hyvin jyrkissä rinteissä.** Tämä vähentää hallinnan menettämisen, liukastumisen ja kaatumisen vaaraa, josta voi aiheutua henkilövahinkoja.
- **Kun työskentelet rinteissä, pidä jalkasi tukevasti maassa.** Käytä konetta aina sivusuunnassa rinteeseen nähden äläkä koskaan ala- tai yläsuunnassa. Ole erittäin varovainen, kun vaihdat suuntaa. Tämä vähentää hallinnan menettämisen, liukastumisen ja kaatumisen vaaraa, josta voi aiheutua henkilövahinkoja.
- **Noudata äärimmäistä varovaisuutta, kun peruutat tai vedät ruohonleikkuria itseesi päin. Tarkkaile aina ympäristöäsi.** Tämä vähentää kompastumisriskiä käytön aikana.
- **Älä koske teriin tai muihin vaarallisiin liikkuviin osiin, kun ne liikkuvat.** Tämä vähentää liikkuvista osista aiheutuvan loukkaantumisen riskiä.
- **Kun irrotat juuttunutta materiaalia tai puhdistat ruohonleikkuria, varmista, että kaikki virtakytkimet on asetettu OFF-asentoon ja virtajohto on irrotettu.** Ruohonleikkurin odottamaton käynnistyminen voi aiheuttaa vakavia henkilövahinkoja.

Vikavirtasuojakytkin

- Käytä vikavirtasuojakytkintä, jonka laukaisuvirta on enintään 30 mA.

Yleiset turvaohjeet



VAROITUS: Lue seuraavat varoitusohjeet ennen laitteen käyttämistä.

- Tämä laite on vaarallinen, jos sitä käytetään huolimattomasti tai virheellisesti. Turvaohjeiden noudattamatta jättäminen voi aiheuttaa vammoja tai kuoleman.
- Laitte muodostaa käytön aikana sähkömagneettisen kentän. Kenttä saattaa joissakin olosuhteissa häiritä aktiivisten tai passiivisten lääketieteellisten implanttien toimintaa. Vakavien tai hengenvaarallisten tapaturmien ehkäisemiseksi kehotamme lääketieteellisiä implanteja käyttäviä henkilöitä neuvottelemaan lääkäriin ja lääketieteellisen implantin valmistajan kanssa ennen laitteen käyttämistä.
- Ole aina varovainen ja käytä tervettä järkeä. Jos et ole varma, miten laitetta käytetään erityisilanteessa, sammuta laite ja ota yhteys Husqvarna-jälleenmyyjään, ennen kuin jatkat.

- Muista, että käyttäjä on vastuussa muille ihmisille tai heidän omaisuudelleen aiheutuvista vahingoista.
- Pidä laite puhtaana. Varmista, että tuotteen merkit ja tarrat ovat luettavissa.
- Älä anna lasten tai näitä ohjeita tuntemattomien henkilöiden käyttää laitetta. Paikalliset määräykset saattavat rajoittaa käyttäjän ikää.
- Valvo aina laitetta käyttävää henkilöä, jonka fyysiset tai psyykkiset taidot ovat heikentyneet. Vastuullisen aikuisen on oltava aina paikalla.
- Älä käytä laitetta ollessasi väsynyt tai sairas tai jos olet alkoholin, huumaavien aineiden tai lääkkeiden vaikutuksen alaisena. Niillä on negatiivinen vaikutus näkökykyysi, vireyteesi, harkintakykyysi ja kehosi hallintaan.
- Älä käytä konetta, jos se on viallinen.
- Älä tee koneeseen muutoksia tai käytä konetta, mikäli epäilet jonkun muun muuttaneen sitä.

- Älä kallista laitetta, kun käynnistät moottorin tai käytät laitetta.
- Ole varovainen vetäessäsi laitetta taaksepäin.
- Älä koskaan nosta laitetta moottorin käynnistykseen aikana. Jos laite on nostettava, sammuta ensin moottori, käännä turvakytkin asentoon 0 ja irrota akku.
- Älä kävele taaksepäin käyttäessäsi laitetta.
- Pysäytä moottori, kun tuotetta on kallistettava kuljetusta varten tai ennen kuin siirryt alueille, joilla ei ole ruohoa, esimerkiksi sorasta, kivistä tai asfaltista tehdyille poluille.
- Älä juokse laitteen kanssa, kun moottoria käynnistetään. Kävele aina, kun käytät laitetta.
- Sammuta moottori ennen kuin muutat leikkuukorkeutta. Älä koskaan tee säästöjä moottorin käytössä.
- Älä koskaan jätä laitetta ilman valvontaa moottorin käydessä. Sammuta moottori ja varmista, ettei terävarustus pyöri.
- Laitteen tärinä käytön aikana voi erota kohdassa *Tekniset tiedot sivulla 200* ilmoitetusta tärinäarvosta. Ero johtuu tuotteen käyttötavan vaihtelusta. Jos käytät laitetta usein tai pitkään, pidä taukoja säännöllisesti, jotta tärinä ei aiheuta vammoja.

Työturvallisuus



VAROITUS: Lue seuraavat varoitusohjeet ennen laitteen käyttämistä.

- Käytä tätä tuotetta ainoastaan nurmikoiden leikkaamiseen. Laitetta ei saa käyttää muihin käyttötarkoituksiin.
- Käytä henkilökohtaisia suojavarusteita. Katso kohta *Henkilökohtainen suojavarustus sivulla 190*.
- Opettele pysäyttämään moottori nopeasti hätätilassa.
- Älä käytä laitetta sateella tai märissä olosuhteissa. Sähköiskun vaara kasvaa, jos laitteeseen pääsee vettä.
- Älä käytä tuotetta, ellei sen terää ja kaikkia suojuksia ole kiinnitetty asianmukaisesti. Virheellisesti kiinnitetty terä saattaa irrota ja aiheuttaa henkilövahinkoja.
- Varmista, ettei terä osu kiviin ja juuriin. Tämä voi vaurioittaa terää, ja moottorin akseli voi vääntyä. Vääntynyt akseli aiheuttaa voimakasta tärinää. Tällöin on erittäin suuri riski, että terä irtoaa.
- Jos terä osuu esineeseen tai alkaa täräistä, pysäytä tuote välittömästi. Sammuta moottori, käännä turvakytkin asentoon 0 ja irrota akku. Odota, kunnes liikkuvat osat pysähtyvät. Tarkista laite vaurioiden varalta. Kiristä löystyneet osat. Korjaa vauriot ja vaihda vaurioituneet osat. Anna huoltotyö valtuutetun huoltoliikkeen tehtäväksi.
- Älä koskaan liitä moottorin jarrukahvaa pysyvästi kahvaan moottoria käynnistettäessä.
- Aseta laite kiinteälle, tasaiselle alustalle ja käynnistä se. Varmista, ettei terä pääse osumaan maahan tai mihinkään esineeseen.
- Ole aina laitteen takana käyttäessäsi sitä.
- Pidä kaikki renkaat maassa ja molemmat kätesi työntöaisalla käyttäessäsi laitetta. Pidä kädet ja jalat poissa pyörivien terien läheisyydestä.

Turvallisuusohjeet käyttöä varten

Henkilökohtainen suojavarustus



VAROITUS: Lue seuraavat varoitusohjeet ennen laitteen käyttämistä.

- Henkilökohtaiset suojavarusteet eivät poista tapaturmien vaaraa, mutta ne lieventävät vammoja onnettomuustilanteessa. Anna jälleenmyyjän auttaa oikeiden varusteiden valinnassa.
- Käytä kestäviä luistamattomia saappaita tai kenkiä. Älä käytä avonaisia jalkineita tai kulje paljain jaloin.
- Käytä vahvakankaisia, pitkiä housuja.
- Käytä suojakäsineitä tarvittaessa, esimerkiksi terävarustuksen asennuksen, tarkastuksen ja puhdistuksen aikana.
- Suosittelemme kuulonsuojaimien käyttöä.

Tuotteen turvalaitteet



VAROITUS: Lue seuraavat varoitusohjeet ennen laitteen käyttämistä.

- Älä käytä laitetta, jos jokin sen turvalaitteista on rikki.
- Älä poista turvalaitteita tai tee niihin muutoksia.
- Tarkasta turvalaitteet säännöllisesti. Jos turvalaitteissa on vikoja, ota yhteyttä Husqvarna-huoltoliikkeeseen.

Leikkuusuojuksen tarkistaminen

Leikkuusuojuus vähentää laitteen tärinää ja terän aiheuttamaa tapaturmavaaraa.

- Tarkista leikkuusuojuus vaurioiden, kuten halkeamien, varalta.

Turva-avaimen tarkistaminen

Turva-avain on akun kannen alla. Turva-avain kytkee akun, joka tuottaa tehoa moottorille.

- Tarkista turva-avaimen toiminta käynnistämällä ja sammuttamalla moottori.
- Jos turva-avain toimii oikein, moottori käynnistyy vain, kun avain on käännetty asentoon 1. (Kuva 24)

Moottorin jarrukahvan tarkistaminen

Moottorin jarrukahva pysäyttää moottorin. Kun moottorin jarrukahva vapautetaan, moottori pysähtyy.

- Käynnistä laite. Katso kohta *Laitteen käynnistäminen sivulla 194*.
- Vapauta moottorin jarrukahva. (Kuva 25)
- Varmista, että laite pysähtyy. Jos moottori ei pysähdy 3 sekunnissa, anna valtuutetun Husqvarna-huoltoliikkeen säätää moottorijarru.

Käynnistykseneston tarkistaminen

Tarkista käynnistyksenesto ja varmista, että se estää moottorin toiminnan.

1. Työnnä moottorin jarrukahvaa kahvaston suuntaan. Käynnistyksenesto pysäyttää liikkeen.
2. Työnnä käynnistyksenesto ulos. (Kuva 26)
3. Vapauta käynnistyksenesto ja varmista, että se palaa alkuasentoonsa.

Akkuturvallisuus



VAROITUS: Lue kaikki turvallisuus- ja yleisohteet. Turvallisuus- ja yleisohteiden noudattamisen laiminlyöminen voi johtaa sähköiskuun, tulipaloon ja/tai vakavaan tapaturmaan. **Säilytä turvallisuus- ja yleisohteet tulevaa käyttöä varten.**

- Turvallisuusohjeet koskevat vain järjestelmän POWER FOR ALL 18 V:n ladattavia litiumioniakkuja.
- Käytä ladattavaa akkua vain POWER FOR ALL-järjestelmäkumppanien tuotteissa. Ladattavat 18 V:n akut, joissa on merkintä POWER FOR ALL, ovat täysin yhteensopivia seuraavien tuotteiden kanssa:
 - Kaikki 18 V:n POWER FOR ALL-akkujärjestelmän tuotteet.
 - Kaikki 18 V:n tuotteet POWER FOR ALL-järjestelmäkumppaneilta.
- Noudata tuotteen käyttöoppaassa annettuja akkusuosituksia. Tämä on ainoa keino varmistaa ladattavan akun ja tuotteen turvallinen käyttö ja suojavaara akku vaaralliselta ylikuormitukselta.
- **Lataa akut vain valmistajan tai POWER FOR ALL-järjestelmäkumppanien suosittelemilla laaturilla.** Muuhun akkutyyppiin sopiva laaturi voi aiheuttaa käytettäessä tulipalovaaran.
- **Akku toimitetaan osittain ladattuna.** Jotta akun kapasiteetti olisi paras mahdollinen, lataa akku täyteen ennen kuin käytät sähkötyökalua ensimmäisen kerran.
- **Säilytä akut poissa lasten ulottuvilta.**
- **Älä avaa akkua.** Tämä aiheuttaa oikosulkuvaaran.
- **Jos akku vaurioituu tai sitä käytetään väärin, akusta voi vapautua höyryjä. Akku voi syttyä tuleen tai räjähtää.** Varmista, että alue on hyvin tuuletettu, ja hakeudu lääkäriin, jos havaitset haittavaikutuksia. Höyryt voivat ärsyttää hengityselimiä.
- **Jos akkua käytetään väärin tai se on vahingoittunut, akusta voi tihkuva syttyviä nestettä. Vältä kontaktia tällaisen nesteen kanssa. Jos nestettä joutuu vahingossa iholle, huuhtele se vedellä. Jos nestettä joutuu silmiin, hakeudu lisäksi lääkärin hoitoon.** Akkuneste voi aiheuttaa ihoärsytystä tai palovammoja.
- **Jos akku on vaurioitunut, nestettä voi purkautua ja valua lähellä oleville pinnoille.** Tarkista vaurioituneet osat. Puhdista osat ja vaihda ne tarvittaessa.
- **Älä aiheuta akuston oikosulkuja.** Kun akkua ei käytetä, pidä se etäällä metalliesineistä, kuten paperiliittimistä, kolkoista, avaimista, nautoista, ruuveista tai muista pienistä metalliesineistä, jotka saattavat aiheuttaa kosketuksen liittinten välillä. Akkuliittinten saattaminen keskenään oikosulkuun voi aiheuttaa palovammoja tai tulipalon.
- **Akku voi vahingoittua siihen kohdistuvasta voimasta tai terävistä esineistä, kuten nautoista tai ruuvimeisseleistä.** Sisäinen oikosulku voi aiheuttaa akun palamisen, savuamisen, räjähtämisen tai ylikuumentumisen.
- **Älä koskaan huolla vahingoittuneita akkuja.** Akkuja saavat huoltaa vain valmistaja ja valtuutetut palveluntarjoajat.
- Suojaa akku tulta, liialta, vedeltä, kosteudelta ja kuumuudelta, kuten jatkuvalta voimakkaalta auringonvaloilta. Akku voi räjähtää tai voi aiheuttaa oikosulkuja.
- Käytä tuotteen akkua ainoastaan lämpötiloissa 0 °C – +40 °C.
- Säilytä akkua vain lämpötilassa -20 °C – +50 °C. Älä esimerkiksi jätä akkua autoon kesällä. Kun lämpötila on < 0 °C, joidenkin laitteiden teho voi heiketä.
- **Lataa akkua vain lämpötilassa 10–35 °C.** Lataa ladattavaa akkua USB-kaapelilla vain ympäristön lämpötilan ollessa +10–35 °C. Akun lataaminen tämän lämpötila-alueen ulkopuolella voi lisätä akun vaurioitumisriskiä ja aiheuttaa palovaaran.



VAROITUS: Lue kaikki turvallisuus- ja yleisohteet. Turvallisuus- ja yleisohteiden noudattamisen laiminlyöminen voi johtaa sähköiskuun, tulipaloon ja/tai vakavaan tapaturmaan. **Säilytä nämä ohjeet turvallisessa paikassa.** Käytä laturia vain, jos pystyt täysin arvioimaan kaikki toiminnot ja suorittamaan ne rajoituksetta tai jos olet saanut vastaavat ohjeet.

- Tätä laturia ei ole tarkoitettu lasten tai sellaisten henkilöiden käyttöön, joilla on ruumiillisia, aisteihin liittyviä tai henkisiä rajoitteita tai joilla ei ole riittävästi kokemusta tai tietämystä sen käytöstä. Tätä laturia voivat käyttää vähintään 8-vuotiaat lapset ja henkilöt, joilla on ruumiillisia, aisteihin liittyviä tai henkisiä rajoitteita tai joilla ei ole riittävästi kokemusta tai tietämystä sen käytöstä, jos heidän turvallisuudestaan vastaava henkilö valvoo heitä tai on opastanut heitä laturin turvallisessa käytössä ja he ymmärtävät siihen liittyvät vaarat. Muussa tapauksessa on olemassa käyttövirheiden ja loukkaantumisen vaara.
- Valvo lapsia laitteen käytön, puhdistuksen ja huollon aikana. Näin voidaan varmistaa, että lapset eivät leiki laturilla.
- Lataa vain 18 voltin POWER FOR ALL-järjestelmän akkuja, joiden kapasiteetti on 1,5 Ah. Akun jännitteen on vastattava laturin akun latausjännitettä. Älä lataa akkuja, jotka eivät sovellu uudelleenlataukseen. Muuten on olemassa tulipalon ja räjähdyksen vaara.
- Käytä laturia vain suljetussa tilassa, äläkä altista sitä kosteille olosuhteille. Sähkötyökaluun tunkeutunut vesi lisää sähköiskun vaaraa.
- Pidä laturi puhtaana. Lika aiheuttaa sähköiskun vaaran.
- Tarkista aina laturi, kaapeli ja pistoke ennen käyttöä. Lopeta laturin käyttö, jos havaitset vaurioita. Älä avaa laturia itse, vaan vie se korjattavaksi Husqvarna-huoltoilikkeeseen tai valtuutettuun huoltoilikkeeseen, joka käyttää ainoastaan alkuperäisiä varaosia. Vaurioituneet laturit, kaapelit ja pistokkeet lisäävät sähköiskun vaaraa.
- Älä käytä laturia helposti syttyvällä pinnalla (esim. paperi, tekstiilit) tai helposti syttyvässä ympäristössä. Laturi kuumenee käytön aikana, mikä aiheuttaa tulipalon vaaran.
- Älä peitä laturin ilmanvaihtoaukkoja. Muuten laturi voi ylikuumentua eikä se enää toimi kunnolla.
- Lataa akku ainoastaan valmistajan tarkoitukseen nimeämällä laturilla. Tietynlaiseen akustoon soveltuva laturi voi aiheuttaa tulipalon vaaran, jos sitä käytetään toisenlaisen akuston lataamiseen.
- Jos akku vaurioituu tai sitä käytetään väärin, akusta voi myös vapautua höyryjä. Varmista, että

alue on hyvin tuuletettu, ja hakeudu lääkäriin, jos havaitset haittavaikutuksia. Höyryt voivat ärsyttää hengityselimiä.

- Akusta voi tihkuu nestettä väärissä olosuhteissa. Vältä kontaktia tällaisen nesteen kanssa. Jos nestettä joutuu vahingossa iholle, huuhtele se vedellä. Jos nestettä joutuu silmiin, hakeudu lisäksi lääkäriin hoitoon. Akkuneste voi aiheuttaa ihoärsytystä tai palovammoja.
- Vain Iossassa-Britanniassa myytävät tuotteet: Laitteesi on varustettu BS 1363/A -standardin mukaisella sähköpistokkeella, jossa on sisäinen sulake (ASTA-sertifioitu BS 1362 -standardin mukaisesti). Jos pistoke ei sovi pistorasiaan, pistoke on katkaistava ja valtuutetun huoltohenkilön on asennettava sen tilalle sopiva pistoke. Vaihtopistokkeessa on oltava sama sulakeluokitus kuin alkuperäisessä pistokkeessa. Katkaisu pistoke on hävitettävä sähköiskun vaaran välttämiseksi, eikä sitä saa koskaan enää laittaa pistorasiaan.

Turvaohjeet huoltoa varten



VAROITUS: Lue seuraavat varoitusohjeet ennen laitteen käyttämistä.

- Jotta laite ei käynnisty vahingossa huollon aikana, käännä turvakytin asentoon 0 ja irrota akku. Odota vähintään viisi sekuntia ennen huollon aloittamista.
- Tee laitteelle ainoastaan käyttöohjekirjassa mainitut huoltotoimenpiteet. Laajemmat toimenpiteet ja ammattimaiset korjaukset on teetettävä valtuutetussa huoltoilikkeessä. Kysy lisätietoja lähimmästä huoltoilikkeestä.
- Laitteen oikeanlainen huoltaminen pidentää sen käyttöikä ja pienentää onnettomuusvaaraa.
- Vaihda vaurioituneet, kuluneet tai rikkoutuneet osat. Käytä aina valmistajan alkuperäisiä varaosia. Muut varaosat voivat vahingoittaa laitetta ja lisätä onnettomuusrisiä.
- Älä poista turvalaitteita tai tee niihin muutoksia vammojen ennaltaehkäisemiseksi.
- Käytä työrukkasia, kun käsittelet terävarustusta. Terä on erittäin terävä ja aiheuttaa helposti haavoja.
- Pidä leikkausreunat terävinä ja puhtaina, jotta laitteen suorituskyky ja turvallisuus pysyvät mahdollisimman hyvänä.
- Anna huoltoilikkeeseen tarkastaa laite säännöllisesti ja tarvittaessa säätää ja korjata se.
- Noudata lisävarusteiden vaihtoa koskevia ohjeita. Käytä ainoastaan valmistajan lisävarusteita.
- Kun laitetta ei käytetä, säilytä se, akku ja akkulaturi erillään kuivassa ja lukitussa sisätilassa. Varmista, että lapset ja asiattomat henkilöt eivät pääse käsiksi laitteeseen, akkuun tai akkulaturiin.

Asentaminen

Johdanto



VAROITUS: Ennen kuin kokoat tuotteen, lue turvallisuutta koskeva luku.



VAROITUS: Jotta kone ei käynnisty vahingossa asennuksen aikana, käännä turva-avain asentoon 0, irrota akku ja odota vähintään viisi sekuntia.

Kahvan korkeuden säätäminen

Laitteessa on vapaa kahvan korkeuden säätöväli. Kahvan korkeuden voi säätää sopivalle korkeudelle kahden pisteen välillä.

1. Aseta laite käyttöasentoon. Katso kohta *Laitteen asettaminen käyttöasentoon sivulla 193*.
2. Käännä kahvaston lukitusnuppeja vastapäivään. (Kuva 27)
3. Säädä kahvat sopivaan asentoon.
4. Säädä molemmat kahvat samaan tasoon.



HUOMAUTUS: Jos kahvat eivät ole samassa tasossa, laite vaurioituu.

5. Käännä kahvaston lukitusnuppeja myötäpäivään.
6. Kiristä lukitusnupit kokonaan.

Ruohonkerääjän asentaminen

1. Nosta takasuojus ylös.
2. Irrota silppurin tulppa.

3. Kiinnitä ruohonkerääjä rungon yläreunaan.
4. Aseta ruohonkerääjän alempi osa ruohon ulosheittokanavaa vasten. (Kuva 28)



HUOMAUTUS: Varmista, että ruohonkerääjä on kiinnitetty oikein laitteen runkoon.

Silppurin tulpan asentaminen

1. Nosta takasuojus ylös ja irrota ruohonkerääjä.
2. Työnnä silppurin tulppa ulosheittokanavaan niin, että se napsahtaa paikalleen. (Kuva 29)

Koukun kiinnitys seinään

- Kiinnitä koukku seinään sisätiloissa.
- Älä aseta koukkuja suoraan auringonpaisteeseen. Lämpötilan tulee olla -10 °C–70 °C.
- Koukku voidaan asentaa kipsilevy-, puu- tai betoniseinään.



HUOMAUTUS: Varmista, että seinä kestää vähintään 30 kg:n kuorman.

- Kiinnitä tuote seinään kolmella ruuvilla (A). Käytä tarvittaessa ruuvitulppia (B). (Kuva 30)



HUOMAUTUS: Varmista, että ruuvit sopivat seinän materiaaliin.

- Lisätietoa tuotteellesi saatavana olevista varustoinnin lisävarusteista saat ottamalla yhteyttä Husqvarna-huoltoon.

Käyttö

Johdanto



VAROITUS: Lue turvallisuutta käsittelevä luku niin, että ymmärrät sen sisällön, ennen laitteen käyttämistä.

Husqvarna Connect

Husqvarna Connect on ilmainen mobiililaitesovellus. Husqvarna Connect -sovellus saat lisätoimintoja Husqvarna-koneeseen:

- Enemmän tuotetietoja.
- Tietoja koneen osista ja huolto-ohjeita.

Husqvarna Connect -käytön aloittaminen

1. Lataa Husqvarna Connect -sovellus mobiililaitteeseesi.
2. Rekisteröi Husqvarna Connect -sovelluksessa.
3. Liitä ja rekisteröi laite Husqvarna Connect -sovelluksen ohjeiden mukaan.

Huomautus: Husqvarna Connect -sovellus ei ole ladattavissa kaikilla markkina-alueilla. Lisätietoja saat huoltoliikkeestä.

Laitteen asettaminen käyttöasentoon

1. Käännä kahvan nupit lukitsemattomaan asentoon. (Kuva 31)

2. Taita kahvaa ylös niin, että se napsahtaa paikalleen. (Kuva 32)



HUOMAUTUS: Varmista, että kaapelit eivät ole liian kireällä. Kiristäminen liian tiukalle voi vahingoittaa kaapelia, kun kahva käännetään kuljetusasentoon.



VAROITUS: Varmista, että kahva on taitettu kokonaan ylös ja se on lukitusasennossa.

3. Säädä kahvan korkeus. Katso kohta *Kahvan korkeuden säätäminen sivulla 193*.

Leikkuukorkeuden asettaminen

1. Lisää leikkuukorkeutta siirtämällä leikkuukorkeuden säätövipua taaksepäin.
2. Vähennä leikkuukorkeutta siirtämällä leikkuukorkeuden säätövipua eteenpäin. (Kuva 33)



HUOMAUTUS: Älä aseta leikkuukorkeutta liian alhaiseksi. Jos ruohikon pinta ei ole tasainen, terät voivat osua maahan.

Akku



VAROITUS: Ennen kuin käytät akkua, lue turvallisuutta käsittelevä luku niin, että ymmärrät sen sisällön. Lue myös akun ja akkulaturin käyttöohje niin, että ymmärrät sen sisällön.

Säilytä akku ja laturi oikeassa lämpötilassa.

| | Ympäristön lämpötila |
|-----------------------------|----------------------|
| Akun käyttäminen laitteessa | 0 °C – +40 °C |
| Akun lataaminen | 0 °C – +35 °C |

Akun lataaminen

Lataa akku ennen ensimmäistä käyttökertaa.

Huomautus: Lataaminen on mahdollista vain, kun akun lämpötila on sallitun vaihteluvälin (0–45 °C) rajoissa.

1. Kytke sitten akkulaturin virtajohto maadoitettuun pistorasiaan.



HUOMAUTUS: Varmista, että verkkovirrassa on oikea jännite ja taajuus.

2. Aseta akku akkulaturiin. Akku on liitetty akkulaturiin, kun vihreä merkkivalo vilkkuu. (Kuva 34)
3. Akku on ladattu täyteen, kun akkulaturin vihreä merkkivalo palaa. Lataa akkua enintään 24 tuntia.
4. Irrota akkulaturi verkkovirrasta.



HUOMAUTUS: Älä vedä virtajohtosta.

5. Irrota akku akkulaturista.

Akun tilan merkkivalo akkulaturissa

Akkulaturin punainen merkkivalo (A) ja vihreä merkkivalo (B) ilmaisevat akun tilan. Katso kohta *Akkulaturin vianmääritys sivulla 197*.

(Kuva 35)

| Merkkivalo | Akun tila |
|---------------------------------------|---|
| Vihreä merkkivalo vilkkuu nopeasti. | Akkua ladataan. |
| Vihreä merkkivalo vilkkuu hitaasti. | Akun varaustaso on 80 %. |
| Vihreä merkkivalo palaa. | Akku on ladattu täyteen. |
| Punainen merkkivalo palaa. | Katso kohta <i>Akkulaturin vianmääritys sivulla 197</i> . |
| Punainen merkkivalo vilkkuu nopeasti. | Katso kohta <i>Akkulaturin vianmääritys sivulla 197</i> . |

Akun tilan merkkivalo laitteessa

Kun akku on asennettu laitteeseen, laitteen merkkivalot ilmaisevat akun tilan.

(Kuva 36)

| Merkkivalo | Akun tila |
|--------------------------------|---|
| Merkkivalot 1, 2 ja 3 palavat. | Täyteen ladattu. |
| Merkkivalot 1 ja 2 palavat. | Riittävästi ladattu |
| Merkkivalo 1 palaa. | Akun virta on vähissä. |
| Merkkivalo 1 vilkkuu. | Akku on tyhjä. Akun lataustilan ilmaisimien vilkkuu. Lataa akku. Katso kohta <i>Akun lataaminen sivulla 194</i> . |

Laitteen käynnistäminen

1. Avaa akun kansi.
2. Aseta ladattu akku akun pidikkeeseen.
3. Käännä turva-avain asentoon 1. (Kuva 37)
4. Seiso laitteen takana.

5. Avaa käynnistyksenesto. (Kuva 26)
6. Työnnä moottorin jarrukahvaa kahvaston suuntaan. (Kuva 38)

Suuri kuormitus -toiminto

Kun laitteella leikataan korkeaa tai märkää ruohoa, moottori lisää automaattisesti kierrosnopeutta. Moottori siirtyy takaisin normaaliin tilaan, kun suuri kuormitus ei ole tarpeen.

Moottori sammuu

Käytön aikana terä ja moottori voivat pysähtyä väliaikaisesti esimerkiksi leikkuusuojuksen alla olevan ruohotukoksen vuoksi. Katso kohdasta *Laitteen puhdistaminen sivulla 196*.



VAROITUS: Ennen kuin tarkistat leikkuusuojuksen, vapauta moottorin jarrukahvaa, käännä turva-avain asentoon 0, irrota akku ja odota vähintään viisi sekuntia. Jos este poistetaan ja laite käynnistyy vahingossa, seurauksena on loukkaantumisvaara.

Laitteen pysäyttäminen



VAROITUS: Käännä turva-avain asentoon 0, ennen kuin jätät laitteen ilman valvontaa.

1. Pysäytä moottori vapauttamalla moottorin jarrukahvaa. (Kuva 39)
2. Avaa akun kansi ja käännä turva-avain asentoon 0. (Kuva 40)
3. Irrota akku painamalla vapautuspainiketta ja vetämällä akku ulos. (Kuva 41)
4. Lataa akku, jos sen lataustaso on alhainen. Katso lisätietoja kohdasta *Akun lataaminen sivulla 194*.

Hyvän tuloksen saavuttaminen

- Käytä aina hyvin teroitettua terää. Tylsä terä leikkaa epätasaisesti ja ruohosta tulee keltaista leikatun pinnan kohdalta. Hyvin teroitettu terä käyttää myös tylsää terää vähemmän energiaa.
- Älä leikkaa enempää kuin 1/3 ruohon pituudesta. Aseta leikkuukorkeus ensimmäisellä leikkuukerralla korkeaksi. Tutkituasi leikkuutuloksen voit laskea leikkuukorkeuden haluamallesi tasolle. Jos ruoho on erittäin pitkää, kulje hitaasti ja leikkaa nurmikko tarvittaessa kaksi kertaa.
- Leikkaa joka kerta eri suuntiin, jotta nurmikkoon ei tule raitoja.
- Pidä leikkuusuojus puhtaana. Leikkuusuojuksen sisäpuolelle kertynyt ruoho ja lika voivat heikentää leikkuutuloksia. Katso kohta *Laitteen puhdistaminen sivulla 196*.

Huolto

Johdanto



VAROITUS: Ennen minkäänlaisten huoltotöiden aloittamista sinun on luettava turvallisuutta käsittelevä luku niin, että ymmärrät sen sisällön.

Kaikkiin tuotteelle tehtäviin huolto- ja korjaustöihin tarvitaan erityiskoulutus. Takaamme, että tuotteemme huolletaan ja korjataan ammattimaisesti. Jos jälleenmyyjäsi ei ole huoltoliike, pyydä jälleenmyyjää neuvomaan lähin huoltoliike.

Katso lisätietoja kohdasta www.husqvarna.com.

Huoltokaavio

Huoltovälit on laskettu koneen päivittäisen käytön perusteella. Välit voivat muuttua, jos konetta ei käytetä päivittäin.

Saat lisätietoja *-merkillä merkityistä huolloista kohdasta *Turvallisuus sivulla 187*.

| | Jokaisella käyttökerralla | Kuukausittain | Kerran käyttökaudessa |
|--|---------------------------|---------------|-----------------------|
| Tee yleistarkastus. | X | | |
| Puhdista laite. | X | | |
| Tarkista käynnistyksenesto. * | X | | |
| Varmista, että laitteen turvalaitteissa ei ole vikoja. * | X | | |
| Tarkista terävarustus. | X | | |

| | Jokaisella käyttökerralla | Kuukausittain | Kerran käyttökaudessa |
|--|---------------------------|---------------|-----------------------|
| Tarkista leikkuusuojus. * | X | | |
| Tarkista moottorin jarrukahva. * | X | | |
| Tarkista akku vaurioiden varalta. | X | | |
| Tarkista akun varaustila. | X | | |
| Tarkista, että akun vapautuspainike toimii asianmukaisesti ja että akku lukittuu laitteeseen. | X | | |
| Tarkista akkulaturi vaurioiden varalta ja varmista, että se toimii asianmukaisesti. | | X | |
| Tarkista akun ja laitteen väliset kytkennät. Tarkista myös akun ja akkulaturin välinen kytkentä. | | | X |

Yleistarkastus

- Varmista, että tuotteen kaikki ruuvit ja mutterit on kiristetty.
- Varmista, että laitteen kaapelit on asennettu siten, että ne eivät vahingoitu.

Laitteen puhdistaminen

- Puhdista muoviosat puhtaalla ja kuivalla liinalla.
- Älä käytä vettä, kun puhdistat laitetta. Vesi voi päästä akkuun tai moottoriin ja vaurioittaa laitetta tai aiheuttaa oikosulun.
- Älä käytä laitteen puhdistamiseen painepesuria.
- Älä suihkuta vettä suoraan moottorin päälle.
- Poista lehdet, ruoho ja lika harjalla.

Akun ja akkulaturin puhdistaminen



VAROITUS: Älä pese akkua tai akkulaturia vedellä.



VAROITUS: Älä puhdista akkua kemiallisilla aineilla.

- Varmista, että akku ja akkulaturi ovat puhtaita ja kuivia ennen kuin laitat akun akkulaturiin.
- Puhdista akun liittimet paineilmalla tai pehmeällä, kuivalla liinalla.
- Puhdista akun ja akkulaturin pinnat pehmeällä, kuivalla liinalla.

Terävarustuksen tarkistaminen



VAROITUS: Jotta kone ei käynnisty vahingossa, käännä turva-avain asentoon 0, irrota akku ja odota vähintään viisi sekuntia.



VAROITUS: Käytä suojakäsineitä huoltaessasi terävarustusta. Terä on erittäin terävä ja aiheuttaa helposti haavoja.

- Tutki terävarustus vaurioiden tai halkeamien varalta. Vaurioitunut terävarustus on aina vaihdettava.
- Tarkista, onko terä vaurioitunut tai tylsä.

Huomautus: Terä on tasapainotettava oikein teroituksen jälkeen. Anna huoltoliikkeen teroittaa, vaihtaa ja tasapainottaa terä. Jos osut esteeseen niin, että tuote pysähtyy, vaihda vaurioitunut terä. Anna huoltoliikkeen arvioida, voiko terän teroittaa vai onko se vaihdettava.

Terän vaihtaminen

Katso kohta *Tekniset tiedot sivulla 200* tarkistaaksesi oikean terätyyppin.



VAROITUS: Lukitse terä puukiillalla, jotta sormet eivät pääse vahingoittumaan terää vaihdettaessa. Terää voi liikuttaa, kun moottori on sammutettu, ja sormet voivat jäädä terän ja liikkumattomien osien väliin.

- Lukitse terä puukiillalla. (Kuva 42)
- Irrota teräpultti.
- Irrota terä.
- Tutki terän tuki ja teräpultti vaurioiden varalta.
- Tutki moottorin akseli ja varmista, ettei se ole vääntynyt.
- Asenna uusi terä siten, että terän taitetut kulmat osoittavat leikkuusuojuksen suuntaan. (Kuva 43)
- Varmista, että terä on kohdistettu moottorin akselin keskiosan kanssa.

8. Lukitse terä puukillalla. Kiinnitä jousialuslevy paikalleen ja kiristä pultti ja aluslevy momenttiin 23-28 Nm. (Kuva 44)
9. Pyöritä terää käsin ja varmista, että se pyörii vapaasti.

10. Testaa terää käynnistämällä laite. Jos terä ei ole kiinnitetty asianmukaisesti, laite tärisee tai sen leikkuutullos ei ole tyydyttävä.



VAROITUS: Käytä paksuja käsineitä. Terä on erittäin terävä ja aiheuttaa helposti haavoja.

Vianmääritys

Akkulaturin vianmääritys

| Akkulaturin merkkivalo | Syy | Ratkaisu |
|---|---|--|
| Vihreä merkkivalo palaa ja punainen merkkivalo vilkkuu. | Akkua ei ole asennettu oikein akkulaturiin. | Poista akku laturista ja asenna akku uudelleen akkulaturiin. |
| | Akkuliittimet ovat liikaisia. | Puhdista akkuliittimet. |
| | Laturi on havainnut sisäisen virheen. | Varmista, että kaikki akut on asetettu paikoilleen. Irrota pistoke ja aseta se takaisin paikalleen. Jos virhe toistuu, tarkistuta laturi valtuutetussa Husqvarna-tuotteiden huoltopisteessä. |
| | Akku on viallinen. | Vaihda akku. |
| Punainen merkkivalo palaa ja vihreä merkkivalo ei pala. | Akun lämpötila on vaihteluvälin ulkopuolella. | Odotä, kunnes akun lämpötila on taas sallitun vaihteluvälin (0–45 °C) rajoissa. |
| Vihreä ja punainen merkkivalo eivät pala. | Akkulaturia ei ole kytketty oikein pistorasiaan. | Liitä akkulaturi pistorasiaan. |
| | Viallinen pistorasia. | Kytke akkulaturi tyyppikilven mukaiseen verkkovirtaan ja taajuuteen. |
| | Akkulaturin kaapeli on viallinen. | Ota yhteys valtuutettuun huoltoliikkeeseen. |
| | Akkulaturi on viallinen. | |
| Muut virheet. | Jos muita virheitä ilmenee, sammuta tuote, irrota akku ja ota yhteys valtuutettuun huoltoliikkeeseen. | |

Ruohonleikkurin vianetsintä

Varoitusmerkkivalo (vian merkkivalo) on laitteen takaosassa akun kannen takana.

| Ongelma | Vian merkkivalo (vilkahdusten määrä) | Syy | Ratkaisu |
|--|--------------------------------------|---|--|
| Vian merkkivalo vilkkuu. Laitteessa on toimintahäiriö. | 5 | Terä on jumissa. | Käännä turva-avain asentoon 0, jotta laite ei käynnisty vahingossa. Irrota akku ja odota vähintään viisi sekuntia. Poista mahdolliset esteet ja varmista, että terä pyörii vapaasti. Jos ongelma jatkuu, ota yhteys hyväksytyyn huoltoliikkeeseen. |
| | | Moottorin nopeus laskee liikaa ja moottori pysähtyy. | Nosta leikkuukorkeutta. Katso <i>Leikkuukorkeuden asettaminen sivulla 194</i> . |
| | 10 | Moottorin ohjaus on liian kuumaa. | Sammuta moottori ja odota, että se jäähtyy. |
| Vian merkkivalo vilkkuu. Laite pysähtyy. | 22 | Akun lämpötila on liian korkea, koska työympäristön lämpötila on liian korkea. | Poista akku koneesta ja odota, että se jäähtyy ennen koneen uudelleenkäynnistystä. Varmista, että ympäristön lämpötila on koneen käyttöön sopiva. Akkua voidaan käyttää lämpötilassa 0°C - +40 °C. Jos ongelma jatkuu, ota yhteys hyväksytyyn huoltoliikkeeseen. |
| | | Akun lämpötila on liian korkea, koska moottori on ylikuormittunut. | Nosta leikkuukorkeutta. Katso <i>Leikkuukorkeuden asettaminen sivulla 194</i> . Jos ongelma jatkuu, ota yhteys hyväksytyyn huoltoliikkeeseen. |
| | 0 | Akkuliitinvika. | Tarkista akkuliitin. |
| | 3 | Moottori on ylikuormittunut. | Nosta leikkuukorkeutta. Katso <i>Leikkuukorkeuden asettaminen sivulla 194</i> . |
| | 9 | Akkuvika tai akusta ei saada signaalia. | Aseta akku laitteeseen asianmukaisesti ja tarkista akkuliitin. Jos akun vian merkkivalo vilkkuu, katso <i>Akkulaturin vianmääritys sivulla 197</i> . Jos ongelma jatkuu, ota yhteys hyväksytyyn huoltoliikkeeseen. |
| | 8 | Akun varaus on heikko. | Lataa akku. Katso <i>Akun lataaminen sivulla 194</i> . |
| | 12 | Väärä käynnistysmenettely. Moottorin jarrukahva on kytketty ennen moottorin käynnistymistä. | Vapauta moottorin jarrukahva ja odota noin viisi sekuntia. Käynnistä laite painamalla moottorin jarrukahva uudelleen alas. |
| | Muut virheet. | Jos muita virheitä ilmenee, käännä turva-avain asentoon 0, irrota akku ja ota yhteys valtuutettuun huoltoliikkeeseen. | |

Kuljettaminen, säilyttäminen ja hävittäminen

Johdanto



VAROITUS: Jotta kone ei käynnisty vahingossa korjaus- ja huoltotöiden aikana, käännä turva-avain asentoon 0, irrota akku ja odota vähintään viisi sekuntia.

Laitteen asettaminen kuljetusasentoon

1. Poista ruohonkerääjä ja varmista, että se on tyhjä.
2. Käännä kahvan lukitusnuppeja vastapäivään lukitsemattomaan asentoon. (Kuva 45)
3. Työnnä kahvaa takasuojuksen suuntaan.
4. Käännä kahvan lukitusnuppeja myötäpäivään lukitusasentoon.
5. Käännä kahvan nupit lukitsemattomaan asentoon. (Kuva 46)
6. Taita kahvaa alas, kunnes kuulet napsahduksen. (Kuva 47)

Katso kohta *Laitteen asettaminen säilytysasentoon sivulla 199* saadaksesi lisätietoja laitteen säilytyksestä.

Kuljettaminen

- Vaarallisten aineiden lainsäädännön määräykset koskevat tuotteessa olevia litiumioniakkuja.
- Tavarakuljetuksessa on noudatettava pakkausta ja merkintöjä koskevia erityismääräyksiä.
- Muista noudattaa vaarallisia aineita koskevia määräyksiä, kun valmisteleet laitetta kuljetukseen. Myös mahdollisia paikallisia määräyksiä on noudatettava.
- Irrota akku aina kuljetuksen ajaksi.
- Teippaa akkuliittimet ja varmista, että akku ei pääse liikkumaan kuljetuksen aikana.
- Kiinnitä laite kuljetuksen ajaksi.

Säilytys

- Anna tuotteen jäähtyä ennen säilytystä.
- Irrota akku aina säilytyksen ajaksi.
- Onnettomuuksien välttämiseksi varmista, ettei akku ole kytkettyä tuotteeseen säilytyksen aikana.
- Säilytä akkulaturia suljetussa ja kuivassa paikassa.
- Säilytä akkua ja akkulaturia kuivassa paikassa, jossa lämpötila ei laske pakkasen puolelle.
- Irrota akku akkulaturista säilytyksen ajaksi.
- Älä säilytä akkua paikassa, jossa on staattista sähköä. Älä säilytä akkua metallilaatikossa.
- Säilytä tuotetta paikassa, jonka lämpötila on -20–50 °C.
- Säilytä akkua -20–50 °C:n lämpötilassa ja poissa suorasta auringonvalosta.

- Säilytä akkulaturia kuivassa ja suljetussa paikassa pakkaselta suojattuna.
- Varmista, että akku on puhdas ja ladattu ennen pitkäaikaista säilytystä.
- Säilytä tuotetta, akkua ja akkulaturia lukitussa tilassa lasten ja asiaankuulumattomien henkilöiden ulottumattomissa.
- Puhdista tuote ja varmista, että ruohonkerääjä on tyhjä.
- Huolla tuote käyttöohjekirjassa annettujen ohjeiden mukaisesti. Katso kohdasta *Huolto sivulla 195*.
- Tee täysi huolto ennen pitkäaikaista säilytystä.

Laitteen asettaminen säilytysasentoon



VAROITUS: Jotta kone ei käynnisty vahingossa korjaus- ja huoltotöiden aikana, käännä turva-avain asentoon 0, irrota akku ja odota vähintään viisi sekuntia.

1. Irrota akku.
2. Aseta laite kuljetusasentoon. Katso kohta *Laitteen asettaminen kuljetusasentoon sivulla 199*.
3. Siirrä laite säilytystilaan.

Laitteen säilyttäminen vaakatasossa maassa

1. Aseta laite säilytysasentoon. Katso kohta *Laitteen asettaminen säilytysasentoon sivulla 199*.
2. Kiinnitä ruohonkerääjä. Katso kohta *Ruohonkerääjän kiinnittäminen sivulla 200*.
3. Säilytä laitetta vaakatasossa maassa. (Kuva 48)

Laitteen säilyttäminen pystyasennossa maassa

1. Aseta laite säilytysasentoon. Katso kohta *Laitteen asettaminen säilytysasentoon sivulla 199*.
2. Nosta laitetta kahvan nostokohdista ja aseta laite pystyasentoon tasaiselle alustalle. (Kuva 49)



VAROITUS: Älä nosta laitetta leikkuusuojasta. Terä on erittäin terävä ja aiheuttaa helposti haavoja.

3. Kiinnitä ruohonkerääjä. Katso kohta *Ruohonkerääjän kiinnittäminen sivulla 200*.
4. Varmista, että laite on tuettu vakaaksi niin, että molemmat tukijalat osuvat lattiaan.
5. Säilytä laitetta pystyasennossa maassa. (Kuva 50)

Laitteen säilyttäminen pystyasennossa mukana toimitetussa kourussa



VAROITUS: Ripusta tuote seinälle vain mukana toimitetulla kourulla.

1. Asenna mukana toimitettu koukku. Katso kohdasta *Koukun kiinnitys seinään sivulla 193*.
2. Aseta tuote säilytysasentoon. Katso kohdasta *Laitteen asettaminen säilytysasentoon sivulla 199*.
3. Nosta tuotetta kahvan nostokohdista. (Kuva 49)



VAROITUS: Älä nosta tuotetta leikkusuojasta. Terä on erittäin terävä ja aiheuttaa helposti haavoja.

4. Ripusta tuote pystysuunnassa mukana toimitettuun koukkuun. Katso kohdasta *Koukun kiinnitys seinään sivulla 193*. (Kuva 51)
5. Varmista, että tuote roikkuu asianmukaisesti ja pysyy vakaasti paikallaan koukun kahden tangon avulla.
6. Kiinnitä ruohonkerääjä. Katso kohdasta *Ruohonkerääjän kiinnittäminen sivulla 200*.

Ruohonkerääjän kiinnittäminen

1. Kiinnitä ruohonkerääjä laitteen etuosassa olevaan uraan. (Kuva 52)

2. Työnnä ruohonkerääjän alaosaa nostokohtaa vasten, kunnes se napsahtaa paikalleen. (Kuva 53)

Hävittäminen

Tuotteessa tai sen pakkauksessa olevat symbolit osoittavat, ettei tuotetta saa hävittää kotitalousjätteen mukana. Se on toimitettava asianmukaiseen sähkö- ja elektroniikkalaitteiden keräyspisteeseen.

Varmistamalla tuotteen asianmukaisen hävittämisen autat vähentämään mahdollisia negatiivisia ympäristövaikutuksia, joita tämän tuotteen virheellisestä hävittämisestä koituisi. Lisätietoja tämän tuotteen kierrätyksestä saat ottamalla yhteyden kotikuntasi viranomaisiin, jätehuoltoon tai tuotteen myyneeseen liikkeeseen.

(Kuva 54)

Vain EU-maat: Direktiivin 2006/66/EY mukaan vialliset tai käytetyt akut/paristot on kerättävä erikseen ja hävitettävä ympäristöä säästävällä tavalla.

Vain Yhdistynyt kuningaskunta: Vuoden 2009 käytettyjä paristoja ja akkuja koskevien säädösten (SI 2009/890) (sellaisena kuin se on muutettuna) mukaan akut ja paristot, joita ei enää voida käyttää, on kerättävä erikseen ja hävitettävä ympäristöystävällisellä tavalla.

Tekniset tiedot

Tekniset tiedot

| | Aspire LC34-P4A |
|---|----------------------|
| Leikkumoottori | |
| Moottorityyppi | BLDC (harjaton) 18 V |
| Moottorin nopeus – nimellinen, r/min | 3 000 |
| Moottorin nopeus – suuri kuormitus, r/min | 3 500 |
| Moottorin teho – enintään, kW | 0,7 |
| Moottorin teho – nimellisteho, kW | 0,5 |
| Ajomoottori | |
| Moottorin teho – nimellisteho, kW | – |
| Liikkumisnopeus, km/h | – |
| Nopeuden säätötasot | – |
| Paino | |
| Paino ilman laukkuja (ilman akkuja), kg | 11,5 |
| Paino laukun kanssa (sis. 1 x P4A 18-B72), kg | 13,5 |
| Akku | |

| | |
|--|------------------------|
| | Aspire LC34-P4A |
| Akkutyyppe | Litiumioni |
| Akun käyttöaika | |
| Akun käyttöaika, minuuttia ³³ | 60 |
| Melupäästöt ³⁴ | |
| Äänentehotaso, mitattu dB(A) | 86 |
| Äänentehotaso, taattu L _{WA} dB(A) | 87 |
| Äänitasot ³⁵ | |
| Äänenpainetaso käyttäjän korvan tasalla, dB(A) | 74 |
| Tärinätasot ³⁶ | |
| Työntöaia, m/s ² | 0,5 |
| Terävarustus | |
| Leikkuukorkeus, mm | 30–65 |
| Leikkuuleveys, cm | 34 |
| Terä, vakio | Combi 5375561-10 |
| Terälisävaruste | – |
| Ruohonkerääjän tilavuus, litraa | 30 |

Hyväksytyt akut

Tuotetta voidaan käyttää kaikkien **POWER FOR ALL** -akkujen kanssa. Parhaan suorituskyvyn takaamiseksi on suositeltavaa käyttää vähintään 4,0 Ah:n akkuja.

| Akku | P4A 18-B45 | P4A 18-B72 |
|-------------------------|------------|------------|
| Tyyppi | Litiumioni | Litiumioni |
| Akun kapasiteetti, Ah | 2,5 | 4,0 |
| Nimellisjännite, V | 18 | 18 |
| Paino, kg | 0,35 | 0,65 |
| Kennojen määrä (Li-ion) | 5 | 10 |

³³ (joutokäynti) normaali tila käytössä, Husqvarna 4,0 Ah:n akku (P4A 18-B72).

³⁴ Melupäästö ympäristöön äänitehona (L_{WA}) EY-direktiivin 2000/14/EY mukaisesti mitattuna.

³⁵ Äänenpainetaso ilmoitettujen tietojen tyyppillinen epävarmuus on K eli 1,5 dB(A).

³⁶ Tärinätasojen ilmoitettujen tietojen tyyppillinen epävarmuus on K eli 1,5 m/s². Ilmoitettu tärinän kokonaisarvo on mitattu standardin EN 62841-4-3 liitteen I mukaisesti, ja sen avulla laitteita voi verrata keskenään ja sitä voi käyttää myös altistuksen alustavassa arvioinnissa.

Hyväksytyt akkulaturit

| Akkulaturi | P4A 18-C70 |
|----------------|------------|
| Tulojännite, V | 220–240 |
| Taajuus, Hz | 50–60 |
| Teho, W | 70 |

Vaatimustenmukaisuusvakuutus

EU-vaatimustenmukaisuusvakuutus

Husqvarna AB, SE-561 82 Huskvarna, Ruotsi, puh. +46
36 146500, vakuuttaa täten, että tuote:

| | |
|---------------------|-----------------------------------|
| Kuvaus | Ruohonleikkuri |
| Tuotemerkki | Husqvarna |
| Tyyppi/malli | Aspire LC34-P4A |
| Tunniste | Sarjanumerot vuodesta 2022 alkaen |

vastaavat täysin seuraavien EU:n direktiivien ja
asetusten vaatimuksia:

| Asetus | Kuvaus |
|---------------|---|
| 2006/42/EC | konedirektiivi |
| 2014/30/EU | EMC-direktiivi |
| 2000/14/EC | Melupäästädirektiivi |
| 2011/65/EU | Direktiivi tiettyjen vaarallisten aineiden käytön rajoittamisesta sähkö- ja elektroniikkalaitteissa |

ja että asiassa sovelletaan seuraavia standardeja
ja/tai teknisiä tietoja: EN 62841-1:2015/AC:2015, EN
IEC 62841-4-3:2021/A11:2021, EN ISO 12100:2010,
EN 55014-1:2021, EN 55014-2:2021, EN IEC
61000-6-2:2019, EN IEC 61000-6-3:2021, EN IEC
63000:2018

Ilmoitettu tarkastuslaitos: 0404, RISE SMP
Svensk Maskinprovning AB, Box 4053, SE-904
03 Umeå, Sweden vakuuttaa yhdenmukaisuuden
neuvoston direktiivin 2000/14/EY mukaisesti,
vaatimustenmukaisuuden arviointimenettely: liite VI.

Katso lisätietoja melupäästöistä osiosta *Tekniset tiedot*
sivulla 200.

Huskvarna, 2022-10-24



Claes Losdal, kehityspäällikkö/puutarhatuotteet,
Husqvarna AB

Teknisestä dokumentaatiosta vastaava edustaja



Copyright © 2012-2020 STMicroelectronics

Takuu ei koske vikoja, jotka johtuvat normaalista kulumisesta, laiminlyönnistä, virheellisestä käytöstä, luvattomasta korjauksesta tai siitä, että imulaitteisto on liitetty virheelliseen jännitteeseen.

Kaikki oikeudet pidätetään.

Jakelu ja käyttö lähde- ja binäärimuodoissa, muutoksitta tai muuttamatta, on sallittua edellyttäen, että seuraavat ehdot täyttyvät:

- Lähdekoodin uudelleenjakeluihin on sisällytettävä edellä oleva tekijänoikeusilmoitus, tämä ehtoluettelo ja jäljempänä oleva vastuuvapauslauseke.
- Binäärimuodossa olevien uudelleenjakeluiden mukana toimitettavaan dokumentaatioon ja/tai muuhun materiaaliin on sisällytettävä edellä oleva tekijänoikeusilmoitus, tämä ehtoluettelo ja seuraava vastuuvapauslauseke.
- STMicroelectronicsin nimeä tai sen toimittajien nimiä ei saa käyttää ohjelmistosta johdettujen tuotteiden mainostamiseen tai suositeluun ilman etukäteen saatua nimenomaista kirjallista lupaa.

TÄMÄN OHJELMISTON TARJOAVAT TEKIJÄNOIKEUKSIEN HALTIJAT JA YHTEISTYÖKUMPPANIT "SELLAISENAAN". KAIKKI VASTUUT NIMENOMAISISTA TAI OLETETUISTA TAKUISTA, MUKAAN LUKIEN OLETETUT TAKUUT MYYNTIKELPOISUUDESTA JA SOVELTUVUUDESTA TIETTYYN TARKOITUKSEEN, KIELLETÄÄN. TEKIJÄNOIKEUKSIEN OMISTAJA TAI TOIMITTAJAT EIVÄT MISSÄÄN TILANTEESSA OLE VASTUUSSA MISTÄÄN SUORISTA, EPÄSUORISTA, SATUNNAISISTA, ERITYISISTÄ, ESIMERKILLISISTÄ TAI VÄLILLISISTÄ VAHINGOISTA (MUKAAN LUKIEN KORVAAVIEN HYÖDYKKEIDEN TAI PALVELUJEN HANKINTA, KÄYTETTÄVYYDEN, TIETOJEN TAI TUOTTOJEN MENETYS TAI LIIKETOIMINNAN KESKEYTYMINEN) TAPAHTUNEEN SYYSTÄ TAI VASTUUTEORIASTA RIIPPUMATTA (SOPIMUKSEEN LIITTYVÄ TAI OBJEKTIIVINEN VASTUU TAI RIKKOMUS, MUKAAN LUKIEN LAIMINLYÖNTI), JOTKA JOHTUVAT JOLLAKIN TAVALLA TÄMÄN OHJELMISTON KÄYTTÖSTÄ, VAIKKA TÄLLAISTEN VAHINKOJEN MAHDOLLISUUDESTA OLISI ILMOITETTU.

Apache 2.0 -lisenssi

Copyright © 2009-2019 Arm Limited. Kaikki oikeudet pidätetään.

Versio 2.0, tammikuu 2004 <http://www.apache.org/licenses/>

KÄYTTÖ-, MONISTUS- JA JAKELUEHDOT

1. Määritelmät.

"**Lisenssi**" tarkoittaa tämän asiakirjan kohdissa 1–9 määritettyjä käyttö-, monistus- ja jakeluehtoja.

"**Lisenssinantaja**" tarkoittaa tekijänoikeuden omistajaa tai tekijänoikeuden haltijan valtuuttamaa tahoa, joka myöntää lisenssin. "**Oikeushenkilö**" tarkoittaa yhteinliittymää, johon kuuluvat kyseinen taho ja kaikki muut tahot, jotka hallinnoivat tehoa, ovat sen hallinnassa tai kuuluvat sen kanssa samaan hallintoon. Tässä määritelmässä "**hallinnoinnilla**" tarkoitetaan (i) suoraa tai epäsuoraa määräysvaltaa yhteisön johtoon ja johtamiseen (sopimukseen tai muuhun seikkaan perustuen) tai (ii) vähintään 50 %:n omistusosuutta saatavilla olevista osakkeista tai (iii) yhteisön tosiasiallista omistajuutta. "**Sinä**" tarkoittaa luonnollista henkilöä tai oikeushenkilöä, joka käyttää tämän lisenssin mukaisia oikeuksia. "**Lähdemuoto**" tarkoittaa suositeltavaa muotoa muutosten tekemiseen esimerkiksi ohjelmiston lähdekoodiin, dokumentaatiolähteeseen ja määrittystiedostoihin. "**Kohdemuoto**" tarkoittaa kaikkia muotoja, jotka saadaan Lähdemuodon mekaanisen muuntamisen tai kääntämisen tuloksena, mukaan lukien koostettu kohdekoodi, luotu dokumentaatio ja muuntaminen muihin mediatyyppisiin. "**Teos**" tarkoittaa Lähde- tai Kohdemuodossa olevaa alkuperäisteosta, joka saatetaan saataville Lisenssin perusteella teokseen sisällytetyn tai liitetyn tekijänoikeusilmoituksen mukaisesti (esimerkki alla olevassa liitteessä).

"**Johdannaisteokset**" tarkoittavat kaikkia Lähde- tai Kohdemuodossa olevia teoksia, jotka perustuvat (tai jotka on johdettu) Teoksesta ja joihin tehdyt toimitukselliset muutokset, huomautukset, kehitystoimet tai muut muokkaukset muodostavat kokonaisuudessaan alkuperäisteoksen. Lisenssiä sovellettaessa Johdannaisteokset eivät sisällä teoksia, jotka ovat erotettavissa teoksesta tai jotka yhdistyvät (tai liittyvät vain nimen perusteella) Teoksen ja sen Johdannaisteosten rajapintoihin. "**Panos**" tarkoittaa mitä tahansa teosta, mukaan lukien Teoksen alkuperäinen versio ja Teoksen tai sen Johdannaisteosten muokkaukset tai laajennukset, joita tekijänoikeuden haltija, yksilö tai oikeushenkilö, jolla on valtuus lähettää muokaus tai laajennus, lähettää tarkoituksella Lisenssinhaltijalle sisällytettäväksi Teokseen. Tässä määritelmässä "**lähettäminen**" tarkoittaa mitä tahansa sähköistä, sanallista tai kirjallista viestintää, joka lähetetään Lisenssinhaltijalle tai sen edustajille, mukaan lukien viestintä sähköisellä postitustavalla, lähdekoodien hallintajärjestelmissä ja ongelmien seurantarjestelmissä, joita Lisenssinhaltija hallinnoi tai joita hallinnoidaan lisenssinantajan puolesta, tarkoituksena keskustella Teoksesta ja parantaa sitä, lukuun ottamatta viestintää, jonka tekijänoikeuksien omistaja on selvästi merkinnyt tai muutoin osoittanut kirjallisesti olevan "**Muu kuin Panos**". "**Toimittaja**" tarkoittaa Lisenssinhaltijaa tai mitä tahansa yksilöä tai oikeushenkilöä, jonka puolesta Lisenssinhaltija on vastaanottanut Panoksen ja sisällyttänyt sen Teokseen.

2. Tekijänoikeuden myöntäminen.

Kukin Toimittaja myöntää Sinulle lisenssin käyttöehtojen mukaisesti pysyvän, maailmanlaajuisen, ei-yksinomaisen, ilmaisen, rojaltivapaan ja peruuttamattoman tekijänoikeuslisenssin monistaa, laatia johdannaisteoksia, esittää ja suorittaa julkisesti, alilisensoida ja jaella Teosta ja asiaankuuluvia Johdannaisteoksia Lähde- tai Kohdemuodossa.

3. Patenttilisenssin myöntäminen.

Kukin Toimittaja myöntää Sinulle tämän lisenssin käyttöehtojen mukaisesti pysyvän, maailmanlaajuisen, ei-yksinomaisen, ilmaisen, rojaltivapaan, peruuttamattoman (pois lukien tämän kappaleen ehdot) patenttilisenssin Teoksen valmistamiseen, valmistuttamiseen, käyttöön, myyntiin tarjoamiseen, myyntiin, tuontiin ja Teoksen siirtoon muulla tavoin tilanteissa, joissa lisenssiä sovelletaan vain sellaisiin patenttivaatimuksiin, jotka ovat kyseisen Toimittajan lisensoitavissa ja jotka välttämättä loukkaavat patenttia pelkillä Teokseen liittyvillä Panoksillaan tai Panosten yhdistelmällä, jotka toimitettiin Teosta varten. Jos panet vireille patenttiriidan mitä tahansa tahoa vastaan (mukaan lukien liitännäiskanne tai vastakanne oikeudenkäynnissä) väittäen, että Teos tai Teokseen sisällytetty Panos on suora tai myötävaikuttava patenttirikkomus, kaikki Sinulle Lisenssin perusteella myönnetty patenttilisenssit päättyvät päivänä, jona kyseinen riita-asia tulee vireille.

4. Uudelleenjakelu.

Voit monistaa ja jaella Teoksen tai Johdannaisteosten kopioita missä tahansa muodossa muokattuina tai muokkaamattomina ja Lähde- tai Kohdemuodoissa, jos seuraavat ehdot täyttyvät:

- Sinun on annettava Teoksen tai Johdannaisteosten vastaanottajille kopio tästä Lisenssistä; ja
- Sinun on lisättävä kaikkiin mukautettuihin tiedostoihin selkeä ilmoitus, että olet muuttanut tiedostoja; ja Sinun on säilytettävä kaikissa Lähdemuodossa jakelemissasi Johdannaisteoksissa kaikki tekijänoikeus-, patenti-, tuotemerkki- ja jakelusekä attribuutioilmoitukset Teoksen Lähdemuodosta pois lukien ilmoitukset, jotka eivät liity mihinkään Johdannaisteosten osiin; ja
- Jos Teoksen jakelu sisältää tekstitiedoston **"ILMOITUS"**, kaikissa jakelemissasi Johdannaisteoksissa on oltava luettavissa oleva kopio ILMOITUS-tiedostossa olevista attribuutioilmoituksista, jotka eivät liity mihinkään Johdannaisteosten osiin. Kopio on oltava vähintään yhdessä seuraavista sijainneista: Johdannaisteoksen osana jaeltavassa ILMOITUS-tiedostossa, Lähdemuodossa tai dokumentaatiossa (jos sellainen toimitetaan Johdannaisteosten kanssa) tai Johdannaisteosten luomassa näytössä sijainnissa, jossa kolmannen osapuolen ilmoitukset yleensä näytetään (jos ilmoituksia on). ILMOITUS-tiedoston sisältö annetaan vain tiedoksi. Se ei muokkaa Lisenssiä. Voit lisätä omia

attribuutioilmoituksia jakelemissi Johdannaisteoksiin Teoksen ILMOITUS-tekstin oheen tai sen liitteeksi, jos lisäattribuutioilmoituksia ei voida tulkitä Lisenssin muutoksiksi. Voit lisätä oman tekijänoikeuslausekkeen muokkauksiisi ja ilmoittaa lisenssiin liittyvistä lisäehdoista tai muista käyttöehdoista, jotka koskevat muokkauksesi käyttöä, monistamista tai jakelua tai Johdannaisteoksia kokonaisuudessaan, edellyttäen että käytät, monistat ja jakelet Teosta muutoin tässä Lisenssissä esitettyjen ehtojen mukaisesti.

5. Panosten lähettäminen.

Ellei nimenomaisesti toisin ilmoiteta, kaikki Sinulle tai Lisenssinhaltijalle tarkoituksella toimitetut Teokseen sisällytettäväksi tarkoitetut Panokset ovat näiden käyttöehtojen alaisia ilman lisäehtoja. Edellä mainitusta huolimatta mikään tässä asiakirjassa mainittu seikka ei korvaa tai muokkaa minkään sellaisen erillisen lisenssisopimuksen ehtoja, jonka olet mahdollisesti solminut Lisenssinhaltijan kanssa kyseessä olevista Panoksista.

6. Tavaramerkit.

Lisenssi ei anna lupaa käyttää Lisenssinantajan tuotenimiä, tavaramerkkejä, palvelumerkkeitä tai tuotenimiä, paitsi jos se on välttämätöntä ja tavanomaista Teoksen alkuperän kuvaamiseksi ja ILMOITUS-tiedoston sisällön monistamiseksi.

7. Takuun vastuuvapauslauseke.

Ellei sovellettavassa lainsäädännössä toisin säädetä tai ellei kirjallisesti ole toisin sovittu, Lisenssinantaja antaa Teoksen (ja kaikki Toimittajat antavat Panoksensa) "SELLAISENAAN" ILMAN TAKUITA TAI EHTOJA (nimenomaisia tai oletettuja), mukaan lukien takuut ja ehdot, jotka koskevat OMISTUSOIKEUTTA, OIKEUKSIEN LOUKKAAMATTOMUUTTA, MYYNTIKELPOISUUTTA tai SOVELTUVUUTTA TIETTYYN TARKOITUKSEEN. Vastaat yksin sen määrittämisestä, onko Teoksen käyttö tai uudelleenjakelu tarkoituksenmukaista, ja vastaat kaikista Lisenssin mukaisten oikeuksien käyttämiseen liittyvistä riskeistä. 8. Vastuunrajoitus. Missään tapauksessa ja minkään juridisen teorian mukaan johtuen rikkomuksesta (mukaan lukien laiminlyönti), sopimuksesta tai muusta seikasta, pois lukien lainsäädännön vaatimat tilanteet (kuten tahalliset ja törkeän huolimattomat toimet) tai kirjallisesti sovitut tilanteet, yksikään Toimittaja ei ole vastuussa Sinulle koituneista vahingoista, mukaan lukien kaikki suorat, epäsuorat, erityiset, esimerkilliset tai välilliset vahingot, jotka johtuvat Lisenssistä tai Teoksen käytöstä tai kykenemättömyydestä käyttää sitä (mukaan lukien mutta rajoittumatta vahingot, jotka liittyvät liikearvon menetykseen, töiden keskeytymiseen, tietokoneen vioittumiseen tai vikaan tai muihin kaupallisiin vahinkoihin tai tappioihin), vaikka Toimittajalle olisi kerrottu kyseisten vahinkojen mahdollisuudesta.

9. Takuun tai lisävastuun hyväksyminen.

Teoksen tai Johdannaisteoksen uudelleenjakelun yhteydessä voit halutessasi tarjota ja periä palkkion tuen, takuun, korvausvastuun tai muiden velvoitteiden ja/tai oikeuksien hyväksymisestä Lisenssin mukaisesti. Velvoitteiden hyväksymiseen liittyen voit kuitenkin toimia vain omaan lukuusi ja omalla vastuullasi

(et minkään muun Toimittajan lukuun) ja vain jos suostut vapauttamaan vastuusta kunkin Toimittajan, puolustamaan ja pitämään kutakin Toimittajaa syyttömänä sellaisten vaatimusten osalta, jotka Toimittaja on aiheuttanut tai josta Toimittajaa syytetään, koska hyväksyit kyseessä olevat takuut tai lisävastuut.
KÄYTTÖEHTOJEN LOPPU

Rekisteröidyt tavaramerkit

QR-koodi on yhtiön DENSO WAVE INCORPORATED rekisteröity tavaramerkki Japanissa.

Sommaire

| | | | |
|-------------------|-----|--|-----|
| Introduction..... | 207 | Transport, entreposage et mise au rebut..... | 221 |
| Sécurité..... | 208 | Caractéristiques techniques..... | 223 |
| Montage..... | 215 | Déclaration de conformité..... | 226 |
| Utilisation..... | 215 | Licences..... | 227 |
| Entretien..... | 217 | Marques déposées..... | 229 |
| Dépannage..... | 219 | | |

Introduction

Description du produit

Le produit est une tondeuse rotative à pousser. L'herbe est recueillie dans un bac de ramassage. Retirez le bac de ramassage pour permettre l'éjection arrière de l'herbe. Fixez un obturateur de broyeur pour broyer l'herbe et la transformer en engrais.

Utilisation prévue

Utilisez le produit pour couper l'herbe. N'utilisez pas ce produit pour d'autres travaux.

Guide rapide

Scannez le code QR pour obtenir des conseils sur l'utilisation du produit.



Aperçu du produit

(Fig. 1)

1. Poignée de frein moteur
2. Antidémarrage
3. Poignée/Guidon
4. Bouton de verrouillage du guidon
5. Boutons de poignée
6. Bac de ramassage
7. Obturateur du broyeur
8. Capot arrière
9. LED sur le produit
10. Témoin d'avertissement (LED d'erreur)
11. Clé de sécurité
12. Compartiment de batterie
13. Couvercle de batterie
14. Symboles
15. Levier de hauteur de coupe
16. Batterie (accessoire)
17. Chargeur de batterie (accessoire)
18. LED rouge
19. LED verte
20. Points de levage
21. Crochet
22. Manuel d'utilisation

Symboles concernant le produit

- (Fig. 2) **AVERTISSEMENT**
- (Fig. 3) Lisez les instructions.
- (Fig. 4) **AVERTISSEMENT** - Prenez garde aux projections d'objets.
- (Fig. 5) Éloignez les personnes à proximité.
- (Fig. 6) **AVERTISSEMENT** - Maintenez vos mains et vos pieds à distance des lames.
- (Fig. 7) **AVERTISSEMENT** - Débranchez la batterie avant l'entretien.
- (Fig. 8) Le produit ou son emballage ne font pas partie des ordures ménagères. Déposez-le dans une station de recyclage pour équipements électriques et électroniques.
- (Fig. 9) Étiquette relative aux émissions sonores dans l'environnement selon les directives et réglementations européennes et du Royaume-Uni et la législation de la Nouvelle-Galles du Sud « Protection of the Environment Operations (Noise

Control) Regulation 2017 ». Le niveau de puissance sonore garanti du produit est spécifié à la section *Caractéristiques techniques à la page 223* et sur l'étiquette.

- (Fig. 10) Cet accessoire est conforme aux directives CE en vigueur.
- (Fig. 11) Ce produit est conforme aux directives applicables en vigueur au Royaume-Uni.
- (Fig. 12) Le produit est protégé contre les gouttes d'eau.
- (Fig. 13) Relâchez la poignée de frein moteur pour arrêter.
- (Fig. 14) Poussez la poignée de frein moteur pour lancer l'entraînement des lames.
- (Fig. 15) Code optiquement lisible.
- (Fig. 18) Tournez pour verrouiller ou déverrouiller.

Remarque: les autres symboles/autocollants présents sur le produit concernent des exigences de certification spécifiques à certains marchés.

Symboles sur la batterie et/ou son chargeur

- (Fig. 19) Déposez ce produit dans une station de recyclage pour équipements électriques et électroniques. (Concerne seulement l'Europe)

- (Fig. 20) Utilisez la batterie uniquement dans les produits des partenaires du système POWER FOR ALL.
- (Fig. 21) Protégez la batterie de la chaleur, par exemple contre la lumière intense du soleil, le feu, la saleté, l'eau et l'humidité. Il existe un risque d'explosion et de court-circuit.
- (Fig. 22)
- (Fig. 16) Utilisez et stockez le chargeur de batterie en intérieur uniquement.
- (Fig. 17) Double isolation.

Étiquette sur le produit

- (Fig. 23) DANGER - Gardez les mains et les pieds à l'écart.

Responsabilité

Conformément à la loi sur la responsabilité du fait des produits, nous déclinons toute responsabilité pour tout dommage causé par notre produit si :

- le produit n'est pas correctement réparé ;
- le produit est réparé avec des pièces qui ne proviennent pas du fabricant ou qui ne sont pas homologuées par le fabricant ;
- le produit est équipé d'un accessoire qui ne provient pas du fabricant ou qui n'est pas homologué par le fabricant ;
- le produit n'est pas réparé par un centre d'entretien agréé ou par une autorité homologuée.

Sécurité

Définitions de sécurité

Des avertissements, des recommandations et des remarques sont utilisés pour souligner des parties spécialement importantes du manuel.



AVERTISSEMENT: Symbole utilisé en cas de risque de blessures ou de mort pour l'opérateur ou les personnes à proximité si les instructions du manuel ne sont pas respectées.



REMARQUE: Symbole utilisé en cas de risque de dommages pour le produit, d'autres matériaux ou les environs si les instructions du manuel ne sont pas respectées.

Remarque: Symbole utilisé pour donner des informations supplémentaires pour une situation donnée.

Consignes générales de sécurité des produits



AVERTISSEMENT: Lisez l'ensemble des avertissements de sécurité, des consignes, des illustrations et des spécifications fournies avec ce produit. Le non-respect des consignes énumérées ci-dessous peut être à l'origine d'un choc électrique, d'un incendie et/ou de blessures graves.

Conservez toutes ces consignes et instructions pour toute consultation ultérieure. Le terme « produit » utilisé dans les avertissements fait référence à votre produit sur secteur (filaire) ou à votre produit alimenté par batterie (sans fil).

Sécurité dans l'espace de travail

- **Maintenez un espace de travail propre et bien éclairé.** Les espaces encombrés ou sombres exposent à des accidents.
- **Ne l'utilisez pas dans des atmosphères explosives, en présence de gaz, de poussières ou de liquides inflammables par exemple.** Le produit provoque des étincelles qui peuvent enflammer la poussière ou les vapeurs.
- **Tenez les enfants et les spectateurs à distance lorsque le produit est en marche.** Un moment d'inattention peut vous faire perdre le contrôle.

Sécurité électrique

- **Les fiches des produits doivent être compatibles avec la prise. N'apportez jamais de modifications à la fiche. N'utilisez pas d'adaptateurs avec des produits mis à la terre.** Des fiches non modifiées et des prises compatibles réduisent le risque de choc électrique.
- **Évitez tout contact physique avec les surfaces mises à la terre telles que les tuyaux, les radiateurs, les cuisinières et les réfrigérateurs.** Le risque d'électrocution est plus important si le corps est relié à la terre.
- **Protégez les produits de la pluie et de l'humidité.** Toute infiltration d'eau dans un produit augmente le risque d'électrocution.
- **Ne malmenez pas le cordon. N'utilisez jamais le cordon pour porter, tirer ou débrancher le produit. Maintenez le cordon d'alimentation à l'écart de la chaleur, de bords tranchants ou de pièces en mouvement.** Les fils endommagés ou emmêlés augmentent le risque de choc électrique.
- **Lorsqu'un produit est utilisé en extérieur, installez une rallonge adaptée à un usage extérieur.** L'utilisation d'un cordon d'alimentation pour usage extérieur réduit le risque d'électrocution.
- **Si vous n'avez pas d'autre choix que d'utiliser un produit dans un endroit humide, utilisez une alimentation protégée par un disjoncteur différentiel**

de fuite à la terre (RCD). L'utilisation d'un RCD réduit le risque de choc électrique.

Sécurité du personnel

- **Restez attentif, regardez ce que vous faites et ayez recours à votre bon sens lorsque vous utilisez un produit. N'utilisez pas un produit si vous êtes fatigué ou sous l'emprise de drogues, d'alcool ou de médicaments.** Un moment d'inattention pendant l'utilisation des produits peut entraîner des blessures corporelles graves.
 - **Utilisez un équipement de protection personnelle. Travaillez toujours avec des lunettes de protection.** Les équipements de protection tels que le masque anti-poussière, les chaussures de sécurité antidérapantes, le casque ou le protège-oreilles utilisés dans des conditions appropriées réduisent les blessures corporelles.
 - **Évitez tout démarrage intempestif. Vérifiez que l'interrupteur est en position d'arrêt avant de brancher le produit sur l'alimentation et/ou la batterie, de le ramasser ou de le transporter.** Le fait de garder le doigt sur l'interrupteur pendant le transport des produits ou de mettre les produits sous tension alors que l'interrupteur est en position de marche entraîne un risque d'accident.
 - **Retirez toute clé ou clavette de réglage avant de mettre le produit sous tension.** Une clé ou une clavette reliée à une pièce rotative du produit peut entraîner des blessures corporelles.
 - **Ne vous éloignez pas trop. Restez toujours en équilibre et sur vos appuis.** Cela favorise le contrôle du produit dans les situations inattendues.
 - **Habilitez-vous correctement. Ne portez jamais de vêtements amples ou de bijoux. Éloignez vos cheveux et vos vêtements des pièces mobiles.** Les vêtements amples, les bijoux et les cheveux longs peuvent être happés par les pièces en mouvement.
 - **Si des dispositifs sont fournis pour raccorder des systèmes de collecte et d'extraction de la poussière, vérifiez qu'ils sont correctement branchés et utilisés.** L'utilisation de systèmes de collecte de poussière peut réduire les risques associés à la poussière.
 - **La connaissance des produits, acquise par l'usage fréquent de ces derniers, ne doit pas vous dispenser d'être prudent et d'appliquer les principes de sécurité.** Une action inconsidérée peut provoquer de graves blessures en une fraction de seconde.
- ### Utilisation et entretien du produit
- **Ne forcez pas le produit. Utilisez le produit convenant à l'application.** Le produit approprié réalisera mieux son travail et de façon plus sûre, à la vitesse pour laquelle il a été conçu.
 - **N'utilisez pas le produit si l'interrupteur ne permet pas la mise sous tension ou l'arrêt.** Tout produit impossible à commander avec l'interrupteur est dangereux et doit être réparé.
 - **Débranchez la fiche de la prise et/ou retirez la batterie, si celle-ci est amovible, avant de procéder**

aux réglages, de changer les accessoires ou de stocker les produits. Ces mesures de sécurité préventive réduisent le risque de mise sous tension accidentelle du produit.

- **Rangez les produits hors de la portée des enfants et ne laissez pas des personnes qui ne connaissent pas le produit ou ces consignes utiliser le produit.** Les produits sont dangereux s'ils se retrouvent entre les mains d'utilisateurs non formés.
- **Veillez à entretenir les produits et leurs accessoires. Vérifiez que des pièces en mouvement ne sont pas désalignées ou grippées, que des composants ne sont pas cassés ou détériorés de façon telle à nuire au bon fonctionnement du produit.** S'il est endommagé, faites réparer le produit avant toute réutilisation. De nombreux accidents sont dus à des produits mal entretenus.
- **Maintenez les outils tranchants aiguisés et propres.** Des outils tranchants correctement entretenus avec des bords aiguisés sont moins susceptibles de se coincer et sont plus faciles à contrôler.
- **Utilisez le produit, les accessoires, les mèches, etc. en suivant ces consignes et en tenant compte des conditions de travail et de la tâche à réaliser.** L'utilisation du produit pour des opérations autres que celles pour lesquelles il a été prévu peut entraîner des situations dangereuses.
- **Les poignées et les surfaces de maintien doivent toujours être propres, sèches et sans traces d'huile ni de graisse.** Les poignées et les surfaces de maintien glissantes ne permettent pas une manipulation et un contrôle sûrs du produit dans des situations inattendues.

Utilisation et entretien d'un outil à batterie

- **Ne rechargez la machine qu'avec le chargeur indiqué par le fabricant.** Un chargeur convenant à un type de bloc de batteries particulier peut entraîner un risque d'incendie s'il est utilisé avec un autre bloc.
- **Utilisez les produits uniquement avec les batteries spécifiquement préconisées.** L'utilisation d'une autre batterie peut entraîner un risque de blessure et d'incendie.
- **Lorsque la batterie n'est pas utilisée, maintenez-la à distance d'objets métalliques, tels que des trombones, pièces de monnaie, clés, clous, vis, ou autres petits objets en métal risquant de relier une borne à l'autre.** Court-circuiter les bornes de batterie entraîne un risque de brûlures et d'incendie.
- **En cas d'utilisation abusive, du liquide peut s'échapper de la batterie ; évitez tout contact. En cas de contact accidentel, rincez à l'eau. En cas de contact avec les yeux, consultez un médecin.** Le liquide échappé de la batterie peut causer irritations et brûlures.
- **N'utilisez pas un bloc batterie ou un outil endommagé ou modifié.** Les batteries endommagées ou modifiées peuvent présenter un comportement imprévisible pouvant provoquer un incendie, une explosion ou un risque de blessure.

- **N'exposez pas un bloc batterie ou un outil au feu ou à des températures trop élevées.** L'exposition au feu ou à des températures supérieures à 130 °C / 265 °F peut provoquer une explosion.
- **Respectez toutes les instructions de charge et ne chargez pas le bloc batterie ou l'outil en dehors de la plage de température spécifiée dans les instructions.** Ne pas charger la batterie correctement ou la charger à des températures comprises en dehors de la plage spécifiée peut endommager la batterie et augmenter le risque d'incendie.

Service

- **Confiez l'entretien de votre produit à un mécanicien qualifié qui utilisera uniquement des pièces de rechange identiques.** Cela permet de garantir la sécurité du produit.
- **Ne jamais entretenir des batteries endommagées.** L'entretien des batteries doit être effectué uniquement par le fabricant ou des fournisseurs de services agréés.

Consignes de sécurité de la tondeuse

- **N'utilisez pas la tondeuse par mauvais temps, en particulier lorsqu'il y a un risque de foudre.** Cela permet de réduire le risque d'être frappé par la foudre.
- **Inspectez soigneusement la zone où la tondeuse doit être utilisée, afin de repérer la faune éventuelle.** En effet, elle peut être blessée par la tondeuse pendant son fonctionnement.
- **Inspectez attentivement la zone où la tondeuse doit être utilisée et retirez toutes les pierres, les bouts de bois, les câbles, les os et autres corps étrangers.** Les objets projetés peuvent entraîner des blessures.
- **Avant toute utilisation de la tondeuse, effectuez toujours une inspection visuelle pour vérifier que la lame et l'ensemble de lame ne sont ni usés ni endommagés.** L'utilisation de pièces usées ou endommagées augmente le risque de blessure.
- **Contrôlez régulièrement le bac de ramassage pour détecter tout signe d'usure ou de détérioration.** Un bac de ramassage usé ou endommagé peut augmenter le risque de blessures.
- **Maintenez les protections en place. Les protections doivent être en bon état de marche et correctement montées.** Une protection desserrée, endommagée ou ne fonctionnant pas correctement peut entraîner des blessures.
- **Veillez à ce qu'aucun débris ne se loge dans les arrivées d'air de refroidissement.** L'obstruction des arrivées d'air et la présence de débris peuvent entraîner une surchauffe ou un risque d'incendie.
- **Lors de l'utilisation de la tondeuse, portez toujours des chaussures de protection et antidérapantes. N'utilisez pas la tondeuse si vous êtes pieds nus ou si vous portez des sandales.** Cela réduit le risque de blessure aux pieds en cas de contact avec la lame en mouvement.

- **Lorsque vous utilisez la tondeuse, portez toujours un pantalon.** Le risque de blessures dues à la projection d'objets est plus grand lorsque la peau est exposée.
- **La tondeuse ne doit pas être utilisée sur de l'herbe humide. Marchez, ne courez jamais.** Vous risquez de glisser et de tomber, ce qui peut entraîner des blessures.
- **Évitez d'utiliser la tondeuse sur des pentes trop raides.** Vous limitez ainsi le risque de perte de contrôle, de glissade et de chute, sources de blessures éventuelles.
- **Lorsque vous travaillez sur une pente, veillez toujours à garder l'équilibre, en tondant l'herbe latéralement et non verticalement. Soyez prudent lorsque vous changez de direction.** Vous limitez ainsi le risque de perte de contrôle, de glissade et de chute, sources de blessures éventuelles.
- **Soyez extrêmement vigilant lorsque vous reculez ou tirez la tondeuse vers vous. Soyez toujours conscient de l'environnement qui vous entoure.** Vous limitez ainsi le risque que vous trébuchiez pendant l'utilisation.
- **Ne touchez pas les lames et les autres pièces mobiles dangereuses lorsqu'elles sont encore en mouvement.** Vous réduisez ainsi le risque de blessures dues aux pièces mobiles.
- **Lorsque vous dégagez les débris de végétaux coincés ou que vous procédez au nettoyage de la tondeuse, assurez-vous que tous les interrupteurs d'alimentation sont en position d'arrêt et que le cordon d'alimentation est débranché.** Une utilisation inappropriée de la tondeuse peut entraîner des blessures graves.

Disjoncteur différentiel de fuite à la terre

- Utilisez un disjoncteur différentiel de fuite à la terre avec un courant de déclenchement de 30 mA maximum.

Instructions générales de sécurité



AVERTISSEMENT: Lisez les instructions qui suivent avant d'utiliser le produit.

- Ce produit est dangereux s'il est utilisé de manière incorrecte ou imprudente. Des blessures graves ou mortelles peuvent se produire si vous ne respectez pas les instructions de sécurité.
- Ce produit génère un champ électromagnétique durant son fonctionnement. Ce champ peut dans certaines circonstances perturber le fonctionnement d'implants médicaux actifs ou passifs. Pour réduire le risque de blessures graves ou mortelles, les personnes portant des implants médicaux doivent consulter leur médecin et le fabricant de leur implant avant d'utiliser ce produit.
- Soyez toujours prudent et utilisez votre bon sens. Si vous ne savez pas comment faire fonctionner le produit dans une situation particulière, ne l'utilisez pas et contactez votre Husqvarna revendeur avant de poursuivre.
- N'oubliez pas que l'opérateur sera tenu responsable des accidents occasionnés à des tiers et à leurs biens.
- Maintenez le produit propre. Assurez-vous que vous pouvez lire clairement les avertissements et les autocollants.
- N'autorisez jamais des enfants ou des personnes qui ne sont pas familiarisées avec ces instructions à se servir de cet appareil. Les réglementations locales peuvent limiter l'âge de l'utilisateur.
- Surveillez constamment les personnes aux capacités physiques ou mentales réduites qui utilisent ce produit. Un adulte responsable doit être présent à tout moment.
- N'utilisez jamais l'appareil si vous êtes fatigué ou malade, ou si vous êtes sous l'emprise d'alcool, de drogues ou de médicaments. Cela a un effet négatif sur votre vision, votre vigilance, votre coordination et votre jugement.
- N'utilisez pas le produit si celui-ci est défectueux.
- Ne modifiez jamais le produit et ne l'utilisez jamais s'il est susceptible d'avoir été modifié par un tiers.

Sécurité du travail



AVERTISSEMENT: Lisez les instructions qui suivent avant d'utiliser le produit.

- Utilisez le produit uniquement pour couper les pelouses. Il est interdit d'utiliser le produit pour d'autres travaux.
- Utilisez un équipement de protection personnelle. Reportez-vous à la section *Équipement de protection individuel* à la page 212.
- Assurez-vous de savoir comment couper le moteur rapidement en cas d'urgence.
- Le produit ne doit pas être exposé à la pluie ou à l'humidité. Le risque de choc électrique augmente si de l'eau pénètre dans le produit.
- Faites fonctionner le produit uniquement si la lame et tous les couvercles sont fixés correctement. Une lame fixée de manière inadéquate risque de se détacher et de causer des blessures personnelles.
- Assurez-vous que la lame ne touche pas des objets tels que des pierres et des racines. Cela peut endommager la lame et tordre l'arbre du moteur. Un arbre tordu génère de fortes vibrations, il y a alors un risque important que la lame se détache.
- Arrêtez immédiatement le produit s'il vibre ou bute sur un objet. Arrêtez le moteur, tournez la clé de sécurité sur 0 et déposez la batterie. Attendez l'arrêt des pièces mobiles. Vérifiez que le produit n'est pas endommagé. Serrez les pièces desserrées. Réparez les dommages et remplacez les pièces endommagées. Faites réaliser les réparations par un agent d'entretien agréé.

- N'attachez jamais la poignée de frein moteur en permanence à la poignée de commande quand le moteur est mis en marche.
- Placez le produit sur une surface stable et plane, puis lancez-le. Vérifiez que la lame ne touche pas le sol ou tout autre objet.
- Restez toujours derrière le produit lorsque vous l'utilisez.
- Faites reposer toutes les roues sur le sol et conservez vos deux mains sur la poignée lorsque vous faites fonctionner le produit. maintenez les mains et les pieds à distance des lames en rotation.
- N'inclinez pas le produit lorsque vous démarrez le moteur ou pendant le fonctionnement du produit.
- Soyez prudent lorsque vous tirez le produit vers l'avant.
- Ne soulevez jamais le produit quand le moteur est mis en marche. Si vous devez soulever le produit, arrêtez d'abord le moteur, tournez la clé de contact sur 0 et déposez la batterie.
- Ne marchez pas vers l'arrière lorsque vous utilisez le produit.
- Arrêtez le moteur lorsqu'il est nécessaire d'incliner le produit pour le transport ou avant de vous déplacer dans des zones sans herbe, par exemple des chemins avec des graviers, des pierres et en asphalte.
- Ne courez pas lorsque vous utilisez le produit et que le moteur est mis en marche. Vous devez toujours marcher lorsque vous utilisez le produit.
- Arrêtez le moteur avant de modifier la hauteur de coupe. N'effectuez jamais de réglages pendant que le moteur tourne.
- Ne quittez jamais le produit des yeux pendant que le moteur tourne. Arrêtez le moteur et assurez-vous que l'équipement de coupe ne tourne pas.
- Les vibrations dans le produit pendant le fonctionnement peuvent être différentes de la valeur de vibration déclarée ici *Caractéristiques techniques à la page 223*. Cette différence est due à des variations dans la façon d'utiliser le produit. Si vous utilisez le produit fréquemment ou pendant de longues périodes, faites régulièrement des pauses pour éviter les blessures dues aux vibrations.

- Portez des bottes ou chaussures antidérapantes à usage intensif. Ne portez pas de chaussures ouvertes et ne soyez pas pieds nus lorsque vous utilisez le produit.
- Utilisez des pantalons longs et épais.
- Portez des gants de protection en cas de besoin, par exemple lorsque vous fixez, examinez ou nettoyez l'équipement de coupe.
- Nous vous recommandons d'utiliser une protection auditive.

Dispositifs de sécurité sur le produit



AVERTISSEMENT: Lisez les instructions qui suivent avant d'utiliser le produit.

- N'utilisez pas un produit avec des dispositifs de sécurité défectueux.
- Ne retirez ou ne modifiez pas les dispositifs de sécurité.
- Contrôlez les dispositifs de sécurité régulièrement. Si les dispositifs de sécurité sont défectueux, parlez-en à votre agent d'entretien Husqvarna.

Pour contrôler le capot de coupe

Le capot de coupe réduit les vibrations dans le produit et réduit le risque de blessures provoquées par la lame.

- Examinez le capot de coupe pour vous assurer qu'il ne présente pas de dommages tels que des fissures.

Pour contrôler la clé de sécurité

La clé de sécurité se trouve sous le couvercle de la batterie. La clé de sécurité est reliée à la batterie qui alimente le moteur.

- Démarrez et arrêtez le moteur pour contrôler la clé de sécurité.
- Si la clé de sécurité fonctionne correctement, le moteur démarre seulement lorsque la clé de sécurité est en position 1. (Fig. 24)

Pour contrôler la poignée du frein moteur

La poignée de frein moteur arrête le moteur. Lorsque la poignée de frein moteur est relâchée, le moteur s'arrête.

- Faites démarrer le produit. Reportez-vous à la section *Pour démarrer le produit à la page 217*.
- Relâchez la poignée de frein moteur. (Fig. 25)
- Assurez-vous que le produit s'arrête. Si le moteur ne s'arrête pas au bout de 3 secondes, demandez à un atelier Husqvarna spécialisé agréé de régler le frein moteur.

Pour contrôler l'antidémarrage

Contrôlez l'antidémarrage afin de vous assurer qu'il empêche le fonctionnement du moteur.

1. Poussez la poignée de frein moteur en direction du guidon. L'antidémarrage arrête le mouvement.

Consignes de sécurité le fonctionnement

Équipement de protection individuel



AVERTISSEMENT: Lisez les instructions qui suivent avant d'utiliser le produit.

- L'équipement de protection individuel ne protège pas complètement des blessures, mais il diminue la gravité des blessures en cas d'accident. Faites appel à votre revendeur pour vous aider à sélectionner l'équipement adéquat.

2. Poussez l'antidémarrage. (Fig. 26)
3. Relâchez l'antidémarrage et assurez-vous qu'il revient dans sa position initiale.

Consignes de sécurité relatives à l'utilisation de la batterie



AVERTISSEMENT: Lisez toutes les instructions générales et de sécurité. Le non-respect des instructions générales et de sécurité peut être à l'origine d'un choc électrique, d'un incendie et/ou de blessures graves. **Conservez toutes les consignes de sécurité et les instructions générales pour vous y référer ultérieurement.**

- **Ces consignes de sécurité s'appliquent uniquement aux batteries rechargeables Li-ion 18 V du système POWER FOR ALL.**
- **Utilisez la batterie rechargeable uniquement dans les produits des partenaires du système POWER FOR ALL.** Les batteries rechargeables 18 V portant l'étiquette POWER FOR ALL sont entièrement compatibles avec les produits suivants :
 - Tous les produits du système de batterie POWER FOR ALL 18 V.
 - Tous les produits 18 V des partenaires du système POWER FOR ALL.
- **Respectez les recommandations relatives à la batterie dans le manuel d'utilisation de votre produit.** Seule cette méthode permet d'utiliser la batterie rechargeable et le produit sans danger et de protéger les batteries rechargeables contre les surcharges dangereuses.
- **Chargez les batteries uniquement à l'aide des chargeurs recommandés par le fabricant ou par les partenaires du système POWER FOR ALL.** Un chargeur compatible avec un type de batterie peut présenter un risque d'incendie s'il est utilisé avec une autre batterie.
- **La batterie est fournie partiellement chargée.** Pour garantir une capacité optimale de la batterie, chargez-la complètement dans le chargeur avant d'utiliser votre outil électrique la première fois.
- **Conservez les batteries hors de portée des enfants.**
- **N'ouvrez pas la batterie.** Il existe un risque de court-circuit.
- **Tout dommage ou utilisation incorrecte de la batterie peut provoquer des émanations de vapeurs. La batterie peut s'enflammer ou exploser.** Assurez-vous que la zone est bien ventilée et consultez un médecin en cas d'effets indésirables. Ces vapeurs peuvent irriter le système respiratoire.
- **En cas d'utilisation inadéquate ou si la batterie est endommagée, du liquide inflammable peut être éjecté de la batterie. Évitez tout contact avec ce liquide. En cas de contact accidentel, rincez à l'eau. Si le liquide entre en contact avec les**

yeux, consultez un médecin. Le liquide éjecté de la batterie peut provoquer des irritations ou brûlures.

- **Si la batterie est endommagée, du liquide peut être éjecté et recouvrir les surfaces environnantes. Vérifiez les pièces concernées.** Nettoyez ces pièces ou remplacez-les si nécessaire.
- **Ne court-circuitez pas la batterie. Lorsque la batterie n'est pas utilisée, maintenez-la à distance d'objets métalliques, tels que des trombones, pièces de monnaie, clés, clous, vis, ou autres petits objets en métal risquant de relier une borne à l'autre.** Court-circuiter les bornes de batterie entraîne un risque de brûlures et d'incendie.
- **La batterie peut être endommagée par des objets pointus tels que des clous ou des tournevis, ou par une force appliquée depuis l'extérieur.** Un court-circuit interne peut se produire, entraînant la combustion, l'émission de fumée, l'explosion ou la surchauffe de la batterie.
- **N'entretenez jamais des batteries endommagées.** L'entretien des batteries doit être effectué uniquement par le fabricant ou des fournisseurs de services agréés.
- **Protégez la batterie de la chaleur, par exemple contre la lumière intense du soleil, le feu, la saleté, l'eau et l'humidité.** Il existe un risque d'explosion et de court-circuit.
- **N'utilisez la batterie du produit que si la température ambiante est comprise entre 0 °C – +40 °C.**
- **Stockez la batterie uniquement à une température ambiante comprise entre -20 °C – +50 °C.** Ne laissez pas la batterie dans votre voiture en été, par exemple. À des températures inférieures à 0 °C, certains appareils peuvent subir une perte de puissance.
- **Chargez la batterie uniquement à une température ambiante comprise entre 0 °C et +35 °C. Chargez la batterie rechargeable uniquement avec un câble USB à une température ambiante comprise entre +10 °C et +35 °C.** Toute charge en dehors de cette plage de température peut augmenter le risque d'endommagement de la batterie et présenter un risque d'incendie.

Consignes de sécurité relatives au chargeur de batterie



AVERTISSEMENT: Lisez toutes les instructions générales et de sécurité. Le non-respect des instructions générales et de sécurité peut être à l'origine d'un choc électrique, d'un incendie et/ou de blessures graves. **Conservez ces instructions en lieu sûr.** Utilisez le chargeur uniquement si vous pouvez évaluer toutes les fonctions et les excécuter sans restrictions, ou si vous avez reçu les instructions correspondantes.

- **Ce chargeur n'est pas destiné à une utilisation par des enfants ou des personnes ayant des handicaps**

physiques, sensoriels ou mentaux ou manquant d'expérience et de connaissances. Ce chargeur peut être utilisé par des enfants de 8 ans ou plus et des personnes ayant des handicaps physiques, sensoriels ou mentaux ou manquant d'expérience et de connaissances à condition qu'une personne responsable de leur sécurité les supervise ou leur ait enseigné le fonctionnement en toute sécurité du chargeur et si elles sont conscientes des dangers associés. Sinon, il y a un risque d'erreurs de manipulation et de blessures.

- **Surveillez les enfants pendant l'utilisation, le nettoyage et l'entretien**, et ce afin de s'assurer qu'ils ne jouent pas avec le chargeur.
- **Chargez uniquement les batteries du système POWER FOR ALL 18 V d'une capacité de 1,5 Ah. La tension de la batterie doit correspondre à la tension de charge de la batterie du chargeur. Ne chargez pas les batteries non rechargeables.** Dans le cas contraire, il existe un risque d'incendie et d'explosion.
- **Utilisez le chargeur uniquement dans des espaces clos et ne l'exposez pas à l'humidité.** L'infiltration d'eau dans un outil électrique augmente le risque d'électrocution.
- **Maintenez le chargeur propre.** La saleté présente un risque de choc électrique.
- **Vérifiez systématiquement le chargeur, le câble et la fiche avant utilisation. Cessez d'utiliser le chargeur si vous constatez des dommages. N'ouvrez pas le chargeur vous-même et faites-le réparer uniquement par Husqvarna ou par un centre de service après-vente agréé n'utilisant que des pièces de rechange d'origine.** Les chargeurs, câbles et fiches endommagés augmentent le risque de choc électrique.
- **N'utilisez pas le chargeur sur une surface facilement inflammable (par exemple du papier, des textiles, etc.) ou dans un environnement inflammable.** Il existe un risque d'incendie en raison du réchauffement du chargeur pendant le fonctionnement.
- **Ne couvrez pas les fentes d'aération du chargeur.** Dans le cas contraire, le chargeur risque de surchauffer et de ne plus fonctionner correctement.
- **Ne rechargez la machine qu'avec le chargeur indiqué par le fabricant.** Un chargeur convenant à un type de bloc de batteries particulier peut entraîner un risque d'incendie s'il est utilisé avec un autre bloc.
- **Tout dommage ou utilisation incorrecte de la batterie peut également provoquer des émanations de vapeurs.** Assurez-vous que la zone est bien ventilée et consultez un médecin en cas d'effets indésirables. Ces vapeurs peuvent irriter le système respiratoire.
- **En cas d'utilisation abusive, du liquide peut s'échapper de la batterie. Évitez tout contact avec ce liquide. En cas de contact accidentel, rincez à l'eau. Si le liquide entre en contact avec les yeux, consultez un médecin.** Le liquide éjecté de la batterie peut provoquer des irritations ou brûlures.

- **Produits vendus en Grande-Bretagne uniquement :** votre produit est équipé d'une fiche électrique homologuée BS 1363/A avec fusible interne (homologué ASTA conformément à BS 1362). Si la fiche n'est pas adaptée à vos prises, elle doit être coupée et une fiche appropriée doit être installée à sa place par un agent du service client agréé. La fiche de rechange doit avoir la même capacité de fusible que la fiche d'origine. La fiche coupée doit être mise au rebut pour éviter tout risque d'électrocution et ne doit jamais être insérée dans une autre prise de courant murale.

Instructions de sécurité pour l'entretien



AVERTISSEMENT: Lisez les instructions qui suivent avant d'utiliser le produit.

- Afin d'éviter tout démarrage accidentel pendant l'entretien, tournez la clé de sécurité sur 0 et retirez la batterie. Attendez au moins 5 secondes avant de commencer l'entretien.
- Effectuez uniquement les tâches d'entretien décrites dans le présent manuel d'utilisation. Les interventions plus poussées et les réparations professionnelles doivent être effectuées par un agent d'entretien agréé. Contactez votre agent d'entretien le plus proche pour plus d'informations.
- Effectuez l'entretien correctement afin de prolonger la durée de vie du produit et de réduire les risques d'accident.
- Remplacez les pièces endommagées, usées ou cassées. Utilisez toujours des pièces de rechange d'origine du fabricant. L'utilisation d'autres pièces de rechange peut endommager le produit et augmenter le risque d'accident.
- Afin de limiter les risques de blessure, ne retirez ou ne modifiez pas les dispositifs de sécurité.
- Portez des gants de protection robustes lorsque vous manipulez l'équipement de coupe. La lame est très tranchante et des coupures peuvent survenir facilement.
- Maintenez les bords tranchants aiguisés et propres pour obtenir des performances optimales et sûres.
- Laissez à l'agent d'entretien le soin de contrôler régulièrement le produit et d'effectuer les réglages et les réparations nécessaires.
- Respectez les instructions relatives au remplacement des accessoires. Utilisez uniquement des accessoires obtenus auprès du fabricant.
- Lorsqu'ils ne sont pas utilisés, conservez le produit avec la batterie et le chargeur de batterie à part dans un endroit sec, en intérieur et verrouillé. Veillez à ce que les enfants et les personnes non autorisées ne puissent avoir accès au produit, à la batterie ou au chargeur de batterie.

Montage

Introduction



AVERTISSEMENT: Avant d'installer le produit, consultez le chapitre sur la sécurité.



AVERTISSEMENT: Pour éviter tout démarrage accidentel lors du montage, tournez la clé de sécurité sur 0, retirez la batterie et attendez au moins 5 secondes.

Pour régler la hauteur de la poignée

La hauteur de la poignée du produit peut être réglée librement. La hauteur de la poignée peut être réglée à une hauteur applicable comprise entre deux points définis.

1. Réglez le produit en position de fonctionnement. Reportez-vous à la section *Pour régler le produit en position de fonctionnement à la page 216*.
2. Tournez les boutons de verrouillage des guidons dans le sens contraire des aiguilles d'une montre. (Fig. 27)
3. Tirez les barres du guidon dans une position appropriée.
4. Mettez les 2 barres du guidon au même niveau.



REMARQUE: Si les barres du guidon ne sont pas au même niveau, le produit risque d'être endommagé.

5. Tournez les boutons de verrouillage des barres du guidon dans le sens des aiguilles d'une montre.
6. Serrez les boutons de verrouillage à fond.

Pour installer le bac de ramassage

1. Soulevez le capot arrière.

2. Retirez l'obturateur du broyeur.
3. Fixez le bac de ramassage au bord supérieur du châssis.
4. Placez la partie inférieure du bac de ramassage contre le canal d'éjection de l'herbe. (Fig. 28)



REMARQUE: Assurez-vous que le bac de ramassage est bien fixé au corps du produit.

Pour installer l'obturateur du broyeur

1. Relevez le capot arrière et retirez le bac de ramassage.
2. Poussez l'obturateur du broyeur dans le canal d'éjection jusqu'à entendre un clic. (Fig. 29)

Installation murale du crochet

- Installez le crochet à l'intérieur.
- Conservez le crochet à l'abri de la lumière du soleil et à une température ambiante comprise entre -10 °C et +70 °C.
- Installez le crochet sur une cloison sèche, un mur en bois ou en béton.



REMARQUE: Assurez-vous que le mur peut supporter des charges d'au moins 30 kg.

- Installez le crochet sur le mur à l'aide des 3 vis (A). Utilisez des chevilles murales (B) si nécessaire. (Fig. 30)



REMARQUE: Assurez-vous que les vis sont compatibles avec votre type de mur.

- Contactez votre agent d'entretien Husqvarna pour en savoir plus sur les accessoires de remisage disponibles pour votre produit.

Utilisation

Introduction



AVERTISSEMENT: Avant d'utiliser le produit, vous devez lire et comprendre le chapitre sur la sécurité.

Husqvarna Connect

Husqvarna Connect est une application gratuite pour votre appareil mobile. L'application Husqvarna Connect offre des fonctions étendues à votre produit Husqvarna :

- Informations produit détaillées.

- Informations et aide sur les pièces et l'entretien du produit.

Pour commencer à utiliser Husqvarna Connect

1. Téléchargez l'application Husqvarna Connect sur votre appareil mobile.
2. Enregistrez-vous sur l'application Husqvarna Connect.
3. Suivez les instructions de l'application Husqvarna Connect pour vous connecter et enregistrer le produit.

Remarque: L'application Husqvarna Connect n'est pas disponible au téléchargement sur tous les marchés. Pour davantage d'informations, contactez votre atelier d'entretien.

Pour régler le produit en position de fonctionnement

1. Tournez les boutons du guidon en position déverrouillée. (Fig. 31)
2. Relevez le guidon jusqu'à entendre un clic. (Fig. 32)



REMARQUE: Assurez-vous que la tension n'est pas trop élevée dans les câbles. Une tension trop élevée peut endommager le câble si la poignée est repliée en position de transport.



AVERTISSEMENT: Assurez-vous que le guidon est complètement replié et en position verrouillée.

3. Réglez la hauteur de la poignée. Reportez-vous à la section *Pour régler la hauteur de la poignée à la page 215*.

Pour régler la hauteur de coupe

1. Déplacez le levier de hauteur de coupe vers l'arrière pour augmenter la hauteur de coupe.
2. Déplacez le levier de hauteur de coupe vers l'avant pour diminuer la hauteur de coupe. (Fig. 33)



REMARQUE: La hauteur de coupe ne doit pas être réglée trop bas. Les lames peuvent toucher le sol si la surface de la pelouse n'est pas plane.

Batterie



AVERTISSEMENT: Avant d'utiliser la batterie, vous devez lire et comprendre le chapitre sur la sécurité. Vous devez également lire et comprendre le manuel d'utilisation de la batterie et du chargeur de batterie.

Maintenez la batterie et le chargeur de batterie à des températures ambiantes correctes.

| | Température ambiante |
|---|----------------------|
| Fonctionnement de la batterie dans le produit | 0 °C – +40 °C |
| Charge de la batterie | 0 °C – +35 °C |

Pour charger la batterie

Chargez la batterie avant la première utilisation.

Remarque: Le processus de charge n'est possible que lorsque la température de la batterie se trouve dans la plage de température de charge autorisée (0 à 45 °C).

1. Branchez le cordon d'alimentation du chargeur de batterie dans une prise secteur mise à la masse.



REMARQUE: Assurez-vous que la tension et la fréquence du secteur sont correctes.

2. Placez la batterie dans le chargeur de batterie. La batterie est connectée au chargeur de batterie lorsque la LED verte clignote. (Fig. 34)
3. La batterie est complètement chargée lorsque la LED verte du chargeur de batterie est allumée. Chargez la batterie pendant 24 heures au maximum.
4. Débranchez le chargeur de batterie du secteur.



REMARQUE: Ne tirez pas le cordon d'alimentation.

5. Dégagez la batterie du chargeur de batterie.

LED d'état de la batterie sur le chargeur de batterie

La LED rouge (A) et la LED verte (B) du chargeur de batterie indiquent l'état de la batterie. Reportez-vous à la section *Recherche de pannes sur le chargeur de batterie à la page 219*.

(Fig. 35)

| LED | État de la batterie |
|-----------------------------------|---|
| La LED verte clignote rapidement. | La batterie se charge. |
| La LED verte clignote lentement. | La batterie est chargée à 80 %. |
| La LED verte est allumée. | La batterie est complètement chargée. |
| La LED rouge est allumée. | Reportez-vous à la section <i>Recherche de pannes sur le chargeur de batterie à la page 219</i> . |
| La LED rouge clignote rapidement. | Reportez-vous à la section <i>Recherche de pannes sur le chargeur de batterie à la page 219</i> . |

LED d'état de la batterie sur le produit

Lorsque la batterie est installée dans le produit, les LED du produit indiquent l'état de la batterie.

(Fig. 36)

| LED | État de la batterie |
|----------------------------------|---|
| Les LED 1, 2 et 3 sont allumées. | Complètement chargée. |
| Les LED 1 et 2 sont allumées. | Suffisamment chargée |
| La LED 1 est allumée. | La puissance de la batterie est faible. |
| La LED 1 clignote. | La batterie est vide. L'alerte batterie faible clignote. Rechargez la batterie. Reportez-vous à la section <i>Pour charger la batterie à la page 216.</i> |

Pour démarrer le produit

1. Ouvrez le couvercle de la batterie.
2. Insérez une batterie chargée dans le support de batterie.
3. Tournez la clé de sécurité sur 1. (Fig. 37)
4. Restez derrière le produit.
5. Relâchez l'antidémarrage. (Fig. 26)
6. Poussez la poignée de frein moteur en direction du guidon. (Fig. 38)

Fonction charge élevée

Lorsque le produit coupe de l'herbe haute ou humide, le régime moteur augmente automatiquement. Le moteur repasse en mode standard lorsqu'une charge élevée n'est plus requise.

Calage du moteur

Au cours de l'utilisation, la lame et le moteur peuvent s'arrêter temporairement en raison d'obstacles tels qu'un bourrage d'herbe sous le carter de coupe. Reportez-vous à la section *Pour nettoyer le produit à la page 218.*



AVERTISSEMENT: Avant de contrôler le carter de coupe, relâchez la poignée du frein moteur, tournez la clé de sécurité sur 0, retirez la batterie et attendez au moins 5 secondes. Il existe un risque de blessure si l'obstacle est retiré et que le produit démarre accidentellement.

Pour arrêter le produit



AVERTISSEMENT: Tournez la clé de sécurité sur 0 avant de quitter le produit des yeux.

1. Relâchez la poignée de frein moteur pour arrêter le moteur. (Fig. 39)
2. Ouvrez le couvercle de batterie et tournez la clé de sécurité sur 0. (Fig. 40)
3. Pour retirer la batterie, appuyez sur le bouton de déverrouillage et sortez la batterie. (Fig. 41)
4. Chargez la batterie si son niveau est faible. Pour plus d'informations, reportez-vous à la section *Pour charger la batterie à la page 216.*

Pour obtenir de bons résultats

- Utilisez toujours une lame correctement affûtée. Une lame émoussée produit un résultat irrégulier et l'herbe jaunira à la surface de la coupe. De plus, une lame affûtée consomme moins d'énergie qu'une lame émoussée.
- Ne coupez pas plus d'un tiers de la longueur de l'herbe. Coupez d'abord avec une hauteur de coupe élevée. Examinez le résultat et abaissez la hauteur de coupe à un niveau convenable. Si l'herbe est très longue, tondez lentement, et deux fois si nécessaire.
- Tondez toujours dans différentes directions afin d'éviter de faire des lignes dans la pelouse.
- Assurez-vous que le carter de coupe reste propre. L'accumulation d'herbe et de saleté sur la face intérieure du carter de coupe peut réduire la qualité du résultat de coupe. Reportez-vous à la section *Pour nettoyer le produit à la page 218.*

Entretien

Présentation



AVERTISSEMENT: Avant d'effectuer des travaux d'entretien, vous devez lire et comprendre le chapitre sur la sécurité.

Une formation spécifique est nécessaire pour effectuer tous les travaux d'entretien et de réparation du produit. Nous garantissons qu'il vous est possible d'obtenir

des services de réparation et d'entretien effectués par des professionnels. Si votre concessionnaire n'est pas un atelier spécialisé, demandez-lui des informations à propos de l'atelier spécialisé le plus proche.

Pour des informations plus détaillées, reportez-vous à www.husqvarna.com.

Calendrier d'entretien

Les intervalles d'entretien sont calculés selon une utilisation quotidienne du produit. Les intervalles sont différents si le produit n'est pas utilisé tous les jours.

Pour les travaux d'entretien suivis d'un astérisque (*), consultez les instructions dans la section *Sécurité à la page 208*.

| | Toutes utilisations | Mensuel | À chaque saison |
|--|---------------------|---------|-----------------|
| Faites une inspection générale. | X | | |
| Nettoyez le produit. | X | | |
| Contrôlez l'antidémarrage. * | X | | |
| Assurez-vous que les dispositifs de sécurité sur le produit ne sont pas défectueux. * | X | | |
| Inspectez l'équipement de coupe. | X | | |
| Inspectez le capot de coupe. * | X | | |
| Contrôlez la poignée du frein moteur. * | X | | |
| Examinez la batterie afin de détecter d'éventuels dommages. | X | | |
| Contrôlez le niveau de charge de la batterie. | X | | |
| Vérifiez que le bouton de déverrouillage de la batterie fonctionne correctement et que la batterie se fixe dans le produit. | X | | |
| Examinez le chargeur de batterie afin de détecter d'éventuels dommages et assurez-vous qu'il fonctionne correctement. | | X | |
| Examinez les connexions entre la batterie et le produit. Examinez également la connexion entre la batterie et le chargeur de batterie. | | | X |

Pour faire une inspection générale

- Assurez-vous que les vis et les écrous du produit sont serrés.
- Assurez-vous que les câbles sur le produit ne sont pas dans une position où ils risquent d'être endommagés.

Pour nettoyer le produit

- Nettoyez les éléments en plastique avec un chiffon sec et propre.
- N'utilisez pas d'eau pour nettoyer le produit. L'eau pourrait pénétrer dans la batterie ou le moteur et provoquer un court-circuit ou endommager le produit.
- N'utilisez pas de nettoyeur haute pression pour le nettoyage du produit.
- Ne jetez pas d'eau directement sur le moteur.
- Utilisez une brosse pour enlever les feuilles, l'herbe et la saleté.

Pour nettoyer la batterie et le chargeur de batterie



AVERTISSEMENT: Ne nettoyez pas la batterie ou le chargeur de batterie avec de l'eau.



AVERTISSEMENT: N'utilisez pas de substances chimiques pour nettoyer la batterie.

- Assurez-vous que la batterie et le chargeur de batterie sont propres et secs avant de placer la batterie dans le chargeur de batterie.
- Nettoyez les bornes de la batterie avec de l'air comprimé ou un chiffon sec et doux.
- Nettoyez les surfaces de la batterie et du chargeur de batterie avec un chiffon sec et doux.

Pour inspecter l'équipement de coupe



AVERTISSEMENT: Pour éviter tout démarrage accidentel, tournez la clé de sécurité sur 0, retirez la batterie et attendez au moins 5 secondes.



AVERTISSEMENT: Utilisez des gants de protection lorsque vous procédez à l'entretien de l'équipement de coupe. La lame est très tranchante et des coupures peuvent survenir facilement.

1. Inspectez l'équipement de coupe afin de détecter d'éventuels dommages ou fissures. Remplacez toujours un équipement de coupe endommagé.
2. Inspectez la lame pour voir si elle est endommagée ou émoussée.

Remarque: Il est nécessaire d'équilibrer la lame après l'avoir affûtée. Demandez à un centre d'entretien d'affûter, de remplacer et d'équilibrer la lame. Si vous heurtez un obstacle qui entraîne l'arrêt du produit, remplacez la lame endommagée. Demandez au centre d'entretien d'évaluer si la lame peut être affûtée ou si elle doit être remplacée.

Pour remplacer la lame

Reportez-vous à la section *Caractéristiques techniques* à la page 223 pour connaître le type de lame approprié.



AVERTISSEMENT: Bloquez la lame avec une cale en bois pour éviter

de vous blesser les doigts lors du remplacement de la lame. La lame peut entrer en mouvement lorsque le moteur est éteint et vos doigts peuvent se retrouver coincés entre la lame et les pièces fixes.

1. Bloquez la lame avec une cale en bois. (Fig. 42)
 2. Retirez le boulon de lame.
 3. Retirez la lame.
 4. Examinez le support de lame et le boulon de lame pour voir s'ils sont endommagés.
 5. Examinez l'arbre du moteur pour vous assurer qu'il n'est pas tordu.
 6. Lorsque vous fixez la nouvelle lame, orientez le tranchant en direction du capot de coupe. (Fig. 43)
 7. Assurez-vous que la lame est alignée par rapport au centre de l'arbre du moteur.
 8. Bloquez la lame avec une cale en bois. Fixez la rondelle ressort, puis serrez le boulon et la rondelle à un couple de 23-28 Nm. (Fig. 44)
 9. Déplacez la lame à la main et vérifiez qu'elle tourne librement.
10. Démarrez le produit pour tester la lame. Si la lame n'est pas correctement fixée, le produit vibre ou le résultat de coupe n'est pas satisfaisant.



AVERTISSEMENT: Utilisez des gants de travail épais. La lame est très tranchante et des coupures peuvent survenir facilement.

Dépannage

Recherche de pannes sur le chargeur de batterie

| LED sur le chargeur de batterie | Cause | Solution |
|--|--|---|
| La LED verte est allumée et la LED rouge clignote. | La batterie n'est pas correctement installée dans le chargeur de batterie. | Retirez la batterie du chargeur et réinstallez-la dans le chargeur de batterie. |
| | Les connecteurs de batterie sont sales. | Nettoyez les connecteurs de la batterie. |
| | Le chargeur a identifié une erreur interne. | Assurez-vous que toutes les batteries sont complètement insérées. Retirez la fiche secteur, puis insérez-la à nouveau. Si l'erreur se reproduit, faites contrôler le chargeur par un centre de service après-vente agréé pour les produits Husqvarna. |
| | La batterie est défectueuse. | Remplacez la batterie. |

| LED sur le chargeur de batterie | Cause | Solution |
|---|---|---|
| La LED rouge est allumée et la LED verte est éteinte. | La température de la batterie est en dehors de la plage de charge. | Attendez que la température de la batterie revienne dans la plage de température de charge autorisée (0 à 45 °C). |
| La LED verte et la LED rouge sont éteintes. | Le chargeur de batterie n'est pas correctement branché sur la prise secteur. | Branchez le chargeur de batterie à une prise secteur. |
| | Prise secteur défectueuse. | Branchez le chargeur de batterie sur une prise électrique dont les caractéristiques de tension et de fréquence correspondent aux spécifications mentionnées sur la plaque signalétique. |
| | Le câble du chargeur de batterie est défectueux. | Adressez-vous à un atelier de réparation agréé. |
| | Le chargeur de batterie est défectueux. | |
| Autres erreurs. | Si d'autres erreurs se produisent, assurez-vous que le produit est éteint, retirez la batterie et adressez-vous à un agent d'entretien agréé. | |

Recherche de pannes de la tondeuse

Le témoin d'avertissement (LED d'erreur) se trouve à l'arrière du produit, derrière le couvercle de la batterie.

| Problème | LED d'erreur (nombre de clignotements) | Cause | Solution |
|--|--|--|--|
| La LED d'erreur clignote. Le produit ne fonctionne pas correctement. | 5 | La lame est bloquée. | Tournez la clé de sécurité sur 0 pour éviter tout démarrage accidentel. Retirez la batterie et attendez au moins 5 secondes. Retirez les obstacles éventuels et assurez-vous que la lame peut tourner librement. Si le problème persiste, contactez un atelier spécialisé agréé. |
| | | La vitesse du moteur chute trop et le moteur s'arrête. | Augmentez la hauteur de coupe. Reportez-vous à la section <i>Pour régler la hauteur de coupe</i> à la page 216. |
| | 10 | La commande du moteur est trop chaude. | Arrêtez le moteur et attendez qu'il refroidisse. |

| Problème | LED d'erreur (nombre de clignotements) | Cause | Solution |
|--|---|--|--|
| La LED d'erreur clignote. Le produit s'arrête. | 22 | La température de la batterie est trop élevée, car la température de l'environnement de travail est trop élevée. | Retirez la batterie de la machine et laissez-la refroidir avant de redémarrer la machine. Assurez-vous que la température ambiante est correcte. Utilisez la batterie à des températures comprises entre 0 °C et +40°C. Si le problème persiste, contactez un atelier agréé. |
| | | La température de la batterie est trop élevée en raison d'une surcharge dans le moteur | Augmentez la hauteur de coupe. Reportez-vous à la section <i>Pour régler la hauteur de coupe à la page 216</i> . Si le problème persiste, contactez un atelier spécialisé agréé. |
| | 0 | Défaillance du connecteur de batterie. | Examinez le connecteur de batterie. |
| | 3 | Il y a une surcharge dans le moteur. | Augmentez la hauteur de coupe. Reportez-vous à la section <i>Pour régler la hauteur de coupe à la page 216</i> . |
| | 9 | Erreur de batterie ou pas de signal de batterie. | Placez la batterie dans le produit correctement et examinez le connecteur de batterie. Si la LED d'erreur de la batterie clignote, reportez-vous à la section <i>Recherche de pannes sur le chargeur de batterie à la page 219</i> . Si le problème persiste, contactez un atelier spécialisé agréé. |
| | 8 | La batterie est faible. | Rechargez la batterie. Reportez-vous à la section <i>Pour charger la batterie à la page 216</i> . |
| | 12 | Procédure de démarrage incorrecte. La poignée du frein moteur a été engagée avant le démarrage du moteur. | Relâchez la poignée du frein moteur et attendez environ 5 secondes. Appuyez de nouveau sur la poignée du frein moteur pour démarrer le produit. |
| Autres erreurs. | Si d'autres erreurs se produisent, tournez la clé de sécurité sur 0, retirez la batterie et parlez à un agent spécialisé agréé. | | |

Transport, entreposage et mise au rebut

Introduction



AVERTISSEMENT: Pour éviter tout démarrage accidentel lors du transport et du remisage, tournez la clé de sécurité sur 0, retirez la batterie et attendez au moins 5 secondes.

Pour régler le produit en position de transport

1. Retirez le bac de ramassage et assurez-vous qu'il est vide.
2. Tournez les boutons de verrouillage du guidon dans le sens contraire des aiguilles d'une montre jusqu'à atteindre la position déverrouillée. (Fig. 45)
3. Poussez le guidon dans le sens du capot arrière.

4. Tournez les boutons de verrouillage du guidon dans le sens des aiguilles d'une montre jusqu'à atteindre la position verrouillée.
5. Tournez les boutons du guidon en position déverrouillée. (Fig. 46)
6. Rabattez le guidon jusqu'à entendre un clic. (Fig. 47)

Reportez-vous à la section *Pour régler le produit en position de remisage* à la page 222 pour remiser le produit.

Transport

- La législation sur les marchandises dangereuses s'applique aux batteries au lithium-ion fournies.
- Les exigences spécifiques au transport commercial indiquées sur l'emballage et les étiquettes doivent être respectées.
- Assurez-vous de toujours respecter la législation sur les matières dangereuses lorsque vous préparez le produit pour le transport. Des réglementations locales peuvent s'appliquer.
- Retirez toujours la batterie lorsque vous déplacez le produit.
- Posez du ruban adhésif sur les connecteurs de batterie et assurez-vous que la batterie ne puisse pas bouger pendant le transport.
- Sécurisez le produit pendant le transport.

Remisage

- Avant de remiser le produit, laissez-le refroidir.
- Retirez toujours la batterie lorsque vous remisez le produit.
- Pour éviter tout accident, assurez-vous que la batterie n'est pas reliée au produit au moment du remisage.
- Conservez le chargeur de batterie dans un endroit sec et fermé.
- Conservez la batterie et le chargeur de batterie dans un endroit sec, à l'abri de l'humidité et du gel.
- Débranchez la batterie du chargeur lors du remisage.
- Ne conservez pas la batterie dans un endroit présentant un risque d'électricité statique. Ne conservez pas la batterie dans une boîte métallique.
- Conservez le produit à une température ambiante comprise entre -20 °C et +50 °C.
- Entreposez la batterie dans un endroit où la température ambiante est comprise entre -20 °C et +50 °C, à l'abri du soleil.
- Remisez le chargeur de batterie dans un endroit sec, fermé et à l'abri du gel.
- Assurez-vous que la batterie est propre et chargée avant de la remiser pendant de longues périodes.
- Conservez le produit, la batterie et le chargeur de batterie dans un endroit verrouillé, hors de portée des enfants et des personnes non autorisées.
- Nettoyez le produit et assurez-vous que le bac de ramassage est vide.

- Effectuez les tâches d'entretien décrites dans le présent manuel d'utilisation. Reportez-vous à la section *Entretien* à la page 217.
- Effectuez un entretien complet avant de remiser le produit pendant de longues périodes.

Pour régler le produit en position de remisage



AVERTISSEMENT: Pour éviter tout démarrage accidentel lors du transport et du remisage, tournez la clé de sécurité sur 0, retirez la batterie et attendez au moins 5 secondes.

1. Retirez la batterie.
2. Réglez le produit en position de transport. Reportez-vous à la section *Pour régler le produit en position de transport* à la page 221.
3. Placez le produit en position de remisage.

Pour remiser le produit horizontalement sur le sol

1. Réglez le produit en position de remisage. Reportez-vous à la section *Pour régler le produit en position de remisage* à la page 222.
2. Fixez le bac de ramassage. Reportez-vous à la section *Pour fixer le bac de ramassage* à la page 223.
3. Remisez le produit horizontalement sur le sol. (Fig. 48)

Pour remiser le produit verticalement sur le sol

1. Réglez le produit en position de remisage. Reportez-vous à la section *Pour régler le produit en position de remisage* à la page 222.
2. Soulevez le produit par les points de levage du guidon et placez-le verticalement sur une surface plane. (Fig. 49)



AVERTISSEMENT: Ne soulevez pas le produit par le carter de coupe. La lame est très tranchante et des coupures peuvent survenir facilement.

3. Fixez le bac de ramassage. Reportez-vous à la section *Pour fixer le bac de ramassage* à la page 223.
4. Assurez-vous que le produit est stable et que les 2 pieds de support touchent le sol.
5. Remisez le produit verticalement sur le sol. (Fig. 50)

Pour remiser le produit verticalement sur le crochet fourni



AVERTISSEMENT: Accrochez le produit au mur uniquement avec le crochet fourni.

1. Installez le crochet fourni. Reportez-vous à la section *Installation murale du crochet à la page 215*.
2. Réglez le produit en position de remisage. Reportez-vous à la section *Pour régler le produit en position de remisage à la page 222*.
3. Soulevez le produit par les points de levage du guidon. (Fig. 49)



AVERTISSEMENT: Ne soulevez pas le produit par le carter de coupe. La lame est très tranchante et des coupures peuvent survenir facilement.

4. Accrochez le produit verticalement sur le crochet fourni. Reportez-vous à la section *Installation murale du crochet à la page 215*. (Fig. 51)
5. Assurez-vous que le produit est correctement suspendu et stable sur les 2 tiges du crochet.
6. Fixez le bac de ramassage. Reportez-vous à la section *Pour fixer le bac de ramassage à la page 223*.

Pour fixer le bac de ramassage

1. Fixez le bac de ramassage à la rainure située à l'avant du produit. (Fig. 52)
2. Poussez la partie inférieure du bac de ramassage contre le point de levage jusqu'à entendre un clic. (Fig. 53)

Mise au rebut

Les symboles figurant sur le produit ou l'emballage indiquent que ce produit ne peut pas être traité comme un déchet domestique ordinaire. Il doit être déposé dans un site de recyclage prévu pour la récupération d'équipements électriques et électroniques.

En prenant soin correctement de ce produit, vous contribuez à compenser l'éventuel effet négatif sur l'environnement et les personnes, qui autrement pourrait être engendré par la mauvaise gestion de la mise au rebut du produit. Pour obtenir de plus amples informations sur le recyclage de ce produit, contactez votre municipalité, votre service des ordures ménagères ou le magasin où vous avez acheté ce produit.

(Fig. 54)

Uniquement pour les pays de l'UE : Conformément à la directive 2006/66/CE, les batteries défectueuses ou usagées doivent être collectées séparément et mises au rebut dans le respect de l'environnement.

Uniquement pour le Royaume-Uni : Conformément à la réglementation 2009 sur les déchets de batteries et accumulateurs (SI 2009/890) (telle que modifiée), les batteries qui ne sont plus utilisables doivent être collectées séparément et mises au rebut dans le respect de l'environnement.

Caractéristiques techniques

Caractéristiques techniques

| | Aspire LC34-P4A |
|---|-------------------------|
| Moteur de coupe | |
| Type de moteur | BLDC (sans balais) 18 V |
| Vitesse du moteur - nominale, tr/min | 3 000 |
| Vitesse du moteur - charge élevée, tr/min | 3 500 |
| Sortie du moteur - max. kW | 0,7 |
| Sortie moteur - nominale, kW | 0,5 |
| Moteur d'entraînement | |
| Sortie moteur - nominale, kW | N/A |
| Vitesse de marche, km/h | N/A |
| Niveaux de réglage de la vitesse | N/A |
| Poids | |
| Poids sans sac (sans batterie), kg | 11,5 |
| Poids avec sac (y compris 1 x P4A 18-B72), kg | 13,5 |

| | |
|---|------------------------|
| | Aspire LC34-P4A |
| Batterie | |
| Type de batterie | Lithium-ion |
| Durée de fonctionnement de la batterie | |
| Durée de fonctionnement de la batterie, min, ³⁷ | 60 |
| Émissions sonores ³⁸ | |
| Niveau de puissance acoustique mesuré, dB (A) | 86 |
| Niveau de puissance acoustique garanti L _{WA} , dB (A) | 87 |
| Niveaux sonores ³⁹ | |
| Niveau de pression sonore à l'oreille de l'utilisateur, dB(A) | 74 |
| Niveaux de vibrations ⁴⁰ | |
| Poignée, m/s ² | 0,5 |
| Équipement de coupe | |
| Hauteur de coupe, mm | 30-65 |
| Largeur de coupe, cm | 34 |
| Lame standard | Combi 5375561-10 |
| Lame accessoire | N/A |
| Capacité du bac de ramassage, l | 30 |

Batteries homologuées

Ce produit peut être utilisé avec toutes les batteries **POWER FOR ALL**. Pour des performances optimales,

il est recommandé d'utiliser des batteries d'au moins 4,0 Ah.

| Batterie | P4A 18-B45 | P4A 18-B72 |
|-----------------------------|-------------|-------------|
| Type | Lithium-ion | Lithium-ion |
| Capacité de la batterie, Ah | 2,5 | 4,0 |
| Tension nominale, V | 18 | 18 |
| Poids, kg | 0,35 | 0,65 |
| Nombre de cellules (Li-Ion) | 5 | 10 |

³⁷ (fonctionnement libre) avec le mode standard activé et une batterie Husqvarna 4,0 Ah (P4A 18-B72).

³⁸ Émissions sonores dans l'environnement mesurées comme puissance acoustique (L_{WA}) selon la directive européenne CE 2000/14/CE.

³⁹ Les données reportées pour le niveau de pression sonore présentent un facteur d'incertitude (K) de 1,5 dB (A).

⁴⁰ Les données reportées pour le niveau de vibration présentent un facteur d'incertitude (K) de 1,5 m/s². La valeur totale déclarée des vibrations résulte d'une mesure conforme à la norme EN 62841-4-3, Annexe I, et peut être utilisée pour comparer une machine à une autre et dans le cadre d'une évaluation préliminaire de l'exposition.

Chargeurs de batterie homologués

| Chargeur de batterie | P4A 18-C70 |
|-----------------------------|-------------------|
| Tension d'entrée, V | 220-240 |
| Fréquence, Hz | 50-60 |
| Puissance, W | 70 |

Déclaration de conformité

Déclaration de conformité UE

Nous, **Husqvarna AB**, SE-561 82 Huskvarna, Suède,
tél : +46-36-146500, déclarons sous notre entière
responsabilité que le produit :

| | |
|-----------------------|---|
| Description | Tondeuse |
| Marque | Husqvarna |
| Type/Modèle | Aspire LC34-P4A |
| Identification | Les numéros de série à partir de 2022 et ultérieurs |

est entièrement conforme à la réglementation et aux
directives de l'UE suivantes :

| Réglementation | Description |
|----------------|--|
| 2006/42/EC | « relative aux machines » |
| 2014/30/UE | « relative à la compatibilité électromagnétique » |
| 2000/14/EC | « relative aux émissions sonores dans l'environnement » |
| 2011/65/UE | « relative à la limitation de l'utilisation de certaines substances dangereuses au sein d'équipements électriques et électroniques » |

et que les normes et/ou les spécifications techniques
suivantes sont appliquées : EN 62841-1:2015/AC:2015,
EN IEC 62841-4-3:2021/A11:2021, EN ISO 12100:2010,
EN 55014-1:2021, EN 55014-2:2021, EN IEC
61000-6-2:2019, EN IEC 61000-6-3:2021, EN IEC
63000:2018

Organisme notifié : 0404, RISE SMP Svensk
Maskinprovning AB, Box 4053, SE-904 03 Umeå,
Sweden a certifié être conforme à la Directive du
Conseil 2000/14/CE, procédure d'évaluation de la
conformité : Annexe VI.

Pour toute information relative aux émissions sonores,
voir *Caractéristiques techniques à la page 223*.

Huskvarna, 2022-10-24



Claes Losdal, Directeur du développement/Articles de
jardinage Husqvarna AB

Responsable de la documentation technique



Copyright © 2012-2020 STMicroelectronics

La garantie ne couvre pas les défauts résultant de l'usure normale, de la négligence, d'une utilisation inappropriée, de la réparation non autorisée ou du branchement de l'appareil d'aspiration à une tension électrique inadaptée.

Tous droits réservés.

La redistribution et l'utilisation sous format source et binaire, avec ou sans modification, sont autorisées à condition que les conditions suivantes soient remplies :

- Les redistributions du code source doivent conserver l'avis de droit d'auteur ci-dessus, la présente liste de conditions et la clause de non-responsabilité suivante.
- Les redistributions sous format binaire doivent reproduire l'avis de droit d'auteur ci-dessus, la présente liste de conditions et la clause de non-responsabilité suivante dans la documentation et/ou les autres documents fournis avec la distribution.
- Ni le nom de STMicroelectronics, ni les noms de ses contributeurs ne peuvent être utilisés pour soutenir ou promouvoir des produits dérivés de ce logiciel sans autorisation écrite préalable spécifique.

CE LOGICIEL EST FOURNI « EN L'ÉTAT » PAR LES DÉTENTEURS DU DROIT D'AUTEUR ET LES CONTRIBUTEURS ET TOUTE GARANTIE EXPRESSE OU IMPLICITE, Y COMPRIS, MAIS SANS S'Y LIMITER, LES GARANTIES IMPLICITES DE QUALITÉ MARCHANDE ET D'ADÉQUATION À UN USAGE PARTICULIER, EST EXCLUE. EN AUCUN CAS LE DÉTENTEUR DU DROIT D'AUTEUR OU LES CONTRIBUTEURS NE POURRONT ÊTRE TENUS RESPONSABLES DE TOUT DOMMAGE DIRECT, INDIRECT, ACCESSOIRE, SPÉCIAL, EXEMPLAIRE OU CONSÉCUTIF (Y COMPRIS, MAIS SANS S'Y LIMITER, L'ACHAT DE BIENS OU SERVICES DE SUBSTITUTION ; LA PERTE D'UTILISATION, DE DONNÉES OU DE BÉNÉFICES ; OU L'INTERRUPTION D'ACTIVITÉ), QUELLE QU'EN SOIT LA CAUSE ET SELON TOUTE THÉORIE DE RESPONSABILITÉ, QUE CE SOIT DANS LE CADRE D'UN CONTRAT, D'UNE RESPONSABILITÉ STRICTE OU D'UN DÉLIT (Y COMPRIS UNE NÉGLIGENCE OU AUTRE) DÉCOULANT DE QUELQUE MANIÈRE QUE CE SOIT DE L'UTILISATION DE CE LOGICIEL, MÊME SI LA POSSIBILITÉ D'UN TEL DOMMAGE A ÉTÉ PORTÉE À LA CONNAISSANCE DU CLIENT.

Licence Apache 2.0

Copyright © 2009-2019 Arm Limited. Tous droits réservés.

Version 2.0, Janvier 2004 <http://www.apache.org/licenses/>

CONDITIONS GÉNÉRALES D'UTILISATION, DE REPRODUCTION ET DE DISTRIBUTION

1. Définitions.

« **Licence** » désigne les conditions générales d'utilisation, de reproduction et de distribution telles que définies par les sections 1 à 9 du présent document.

« **Concédant** » désigne le détenteur du droit d'auteur ou l'entité autorisée par ce dernier qui accorde la Licence.

« **Entité juridique** » désigne conjointement l'entité agissant et toutes les autres entités qui contrôlent, sont contrôlées par ou sont sous contrôle commun avec cette entité. Aux fins de la présente définition, « **Contrôle** » désigne (i) le pouvoir, direct ou indirect, d'orienter ou de gérer cette entité, que ce soit par contrat ou autrement, ou (ii) la détention de cinquante pour cent (50 %) ou plus des actions en circulation, ou (iii) la propriété effective de cette entité. « **Vous** » (ou « **votre** ») désigne une personne physique ou entité juridique exerçant les autorisations accordées par la présente Licence. Le format « **Source** » désigne le format privilégié pour apporter des modifications, y compris, mais sans s'y limiter, le code source du logiciel, la source de la documentation et les fichiers de configuration. Le format « **Objet** » désigne tout format résultant de la transformation mécanique ou de la traduction d'un format Source, y compris, mais sans s'y limiter, le code objet compilé, la documentation générée et les conversions vers d'autres types de support. « **Œuvre** » désigne l'œuvre de création, sous format Source ou Objet, mise à disposition dans le cadre de la Licence, comme indiqué par un avis de droit d'auteur inclus ou joint à l'œuvre (un exemple est fourni dans l'Annexe ci-dessous).

« **Œuvres dérivées** » désigne toute œuvre, sous format Source ou Objet, basée sur (ou dérivée de) l'Œuvre et pour laquelle les révisions, annotations, élaborations ou autres modifications éditoriales représentent, dans leur ensemble, une œuvre originale de création. Aux fins de la présente Licence, les Œuvres dérivées ne doivent pas inclure les œuvres qui peuvent être séparées ou rattachées (ou reliées par leur nom) aux interfaces de l'Œuvre et des Œuvres dérivées de celle-ci. « **Contribution** » désigne toute œuvre de création, y compris la version originale de l'Œuvre et toute modification ou tout ajout à cette Œuvre ou Œuvre Dérivée de celle-ci, qui est intentionnellement soumise au Concédant pour être incluse dans l'Œuvre par le détenteur du droit d'auteur ou par une personne ou une entité juridique autorisée à soumettre au nom du détenteur du droit d'auteur. Aux fins de la présente définition, « **soumis** » désigne toute forme de communication électronique, verbale ou écrite envoyée au Concédant ou à ses représentants, y compris, mais sans s'y limiter, la communication via des listes de diffusion électroniques, des systèmes de contrôle du code source et des systèmes de suivi des problèmes gérés par ou pour le compte du Concédant dans le but de discuter de et d'améliorer l'Œuvre, à l'exclusion des communications qui sont clairement marquées ou

désignées par écrit par le détenteur du droit d'auteur par la mention « **Ne constitue pas une contribution** ». « **Contributeur** » désigne le Concédant et toute personne physique ou entité juridique pour le compte de laquelle une contribution a été reçue par le Concédant et incorporée ultérieurement dans l'Œuvre.

2. Octroi de licence de droit d'auteur.

Sous réserve des termes et conditions de cette Licence, chaque Contributeur vous accorde par la présente une licence de droit d'auteur perpétuelle, mondiale, non exclusive, gratuite, libre de droits et irrévocable pour reproduire, préparer des Œuvres dérivées, afficher publiquement, exécuter publiquement, concéder en sous-licence et distribuer l'Œuvre et ses Œuvres dérivées sous format Source ou Objet.

3. Octroi de licence de brevet.

Sous réserve des termes et conditions de cette Licence, chaque Contributeur vous accorde par la présente une licence de brevet perpétuelle, mondiale, non exclusive, gratuite, libre de droits et irrévocable (sauf mention contraire dans la présente section) pour fabriquer, faire fabriquer, utiliser, proposer à la vente, vendre, importer et transférer l'Œuvre, lorsque cette licence s'applique uniquement aux demandes de brevet concédées sous licence par le Contributeur concerné qui sont nécessairement violées du fait de leur(s) Contribution(s) seule(s) ou du fait de la combinaison de leur(s) Contribution(s) avec l'Œuvre pour laquelle cette ou ces Contribution(s) ont été soumises. Si vous déposez une demande à l'encontre de toute entité pour un litige sur un brevet (y compris une réclamation croisée ou une contre-réclamation dans le cadre d'une action en justice) alléguant que l'Œuvre ou une Contribution intégrée à l'Œuvre constitue une violation de brevet directe ou contributive, toutes les licences de brevets qui vous sont accordées en vertu de la présente Licence pour cette Œuvre seront résiliées à la date à laquelle la demande pour litige est déposée.

4. Redistribution.

Vous pouvez reproduire et distribuer des copies de l'Œuvre ou des Œuvres dérivées sur tout support, avec ou sans modification, sous format Source ou Objet, à condition de satisfaire aux conditions suivantes :

- Vous devez remettre à tout autre destinataire de l'Œuvre ou des Œuvres dérivées une copie de la présente Licence ; et
- Vous devez faire en sorte que tous les fichiers modifiés comportent des mentions visibles indiquant que vous avez modifié les fichiers ; et vous devez conserver, sous format Source de toute Œuvre dérivée que vous distribuez, tous les avis de droit d'auteur, de brevet, de marque commerciale et d'attribution du format Source de l'Œuvre, à l'exception des mentions qui ne se rapportent à aucune partie des Œuvres dérivées ; et
- Si l'œuvre comprend un fichier texte « **MENTION** » dans le cadre de sa distribution, toute Œuvre

Dérivée que vous distribuez doit alors inclure une copie lisible des mentions d'attribution contenus dans ce fichier MENTION, à l'exclusion des mentions qui ne se rapportent à aucune partie des Œuvres dérivées, dans au moins l'un des emplacements suivants : dans un fichier texte MENTION distribué dans le cadre des Œuvres dérivées ; dans le format ou la documentation Source, si fourni avec les Œuvres dérivées ; ou dans un affichage généré par les Œuvres dérivées, si et où ces mentions tierces apparaissent normalement. Le contenu du fichier MENTION est fourni à titre d'information uniquement et ne modifie pas la Licence. Vous pouvez ajouter vos propres mentions d'attribution dans les Œuvres dérivées que vous distribuez, en parallèle ou en tant qu'annexe au texte MENTION de l'Œuvre, à condition que ces mentions d'attribution supplémentaires ne puissent pas être interprétées comme modifiant la Licence. Vous pouvez ajouter votre propre déclaration de droit d'auteur sur vos modifications et fournir des conditions générales de licence supplémentaires ou différentes pour l'utilisation, la reproduction ou la distribution de vos modifications, ou pour toute Œuvre dérivée dans son ensemble, à condition que votre utilisation, reproduction, et distribution de l'Œuvre soit conforme aux conditions énoncées dans la présente Licence.

5. Soumission de contributions.

Sauf indication contraire explicite de votre part, toute Contribution que vous soumettez intentionnellement pour l'Œuvre au Concédant de licence sera soumise aux conditions générales de la présente Licence, sans aucune condition supplémentaire. Nonobstant ce qui précède, rien dans le présent document ne remplace ou ne modifie les termes de tout contrat de licence distinct que vous avez signé avec le Concédant de licence concernant ces contributions.

6. Marques commerciales.

La présente Licence n'autorise pas l'utilisation des noms commerciaux, marques commerciales, marques de service ou noms de produits du Concédant, sauf lorsque cela est nécessaire pour une utilisation raisonnable et habituelle dans la description de l'origine de l'Œuvre et la reproduction du contenu du fichier MENTION.

7. Exclusion de Garantie.

Sauf si la loi en vigueur l'exige ou si le Concédant de licence l'accepte par écrit, le Concédant fournit l'Œuvre (et chaque Contributeur fournit ses contributions) « EN L'ÉTAT », SANS GARANTIE NI CONDITION D'AUCUNE SORTIE, expresse ou implicite, y compris, sans s'y limiter, toute garantie ou condition de TITRE, NON-VIOLATION, QUALITÉ MARCHANDE, ou ADÉQUATION À UN USAGE PARTICULIER. Vous êtes seul responsable de déterminer la pertinence de l'utilisation ou de la redistribution de l'Œuvre et assumez tous les risques associés à l'exercice d'autorisations

en vertu de la présente Licence. 8. Limitation de responsabilité. En aucun cas et sous aucune théorie de droit, que ce soit de manière délictuelle (y compris par négligence), contractuelle ou autre, sauf si requis par la loi en vigueur (par exemple pour des actes délibérés et grossièrement négligents) ou convenu par écrit, un Contributeur ne sera tenu responsable envers vous de dommages, y compris tout dommage direct, indirect, spécial, accidentel, ou consécutif de quelque nature que ce soit résultant de la présente Licence ou de l'utilisation ou de l'incapacité à utiliser l'Œuvre (y compris, mais sans s'y limiter, les dommages pour perte de clientèle, arrêt de travail, défaillance ou dysfonctionnement de l'ordinateur, ou tout autre dommage ou perte commercial), même si le Contributeur a été informé de la possibilité de tels dommages.

Lors de la redistribution de l'Œuvre ou des Œuvres dérivées de celle-ci, vous pouvez choisir d'offrir et de facturer tout accord quant à l'assistance, la garantie, l'indemnité ou d'autres obligations de responsabilité et/ou droits liés à la présente Licence. Toutefois, en acceptant de telles obligations, vous ne pouvez agir que pour votre propre compte et sous votre seule responsabilité, et non pour le compte d'un autre Contributeur, et uniquement si vous acceptez d'indemniser, de défendre et de dégager chaque Contributeur de toute responsabilité engagée par, ou de toute réclamation faite à l'encontre de ce Contributeur en raison de votre accord quant à une telle garantie ou responsabilité supplémentaire. FIN DES CONDITIONS GÉNÉRALES

9. Acceptation de la garantie ou de la responsabilité supplémentaire.

Marques déposées

Le code QR est une marque déposée de DENSO WAVE INCORPORATED au Japon.

Sadržaj

| | | | |
|--------------------------|-----|---|-----|
| Uvod..... | 230 | Prijevoz, spremanje i zbrinjavanje..... | 243 |
| Sigurnost..... | 231 | Tehnički podaci..... | 244 |
| Sastavljanje..... | 237 | Izjava o sukladnosti..... | 247 |
| Rad..... | 237 | Licence..... | 248 |
| Održavanje..... | 239 | Registrirani zaštitni znakovi..... | 250 |
| Rješavanje problema..... | 241 | | |

Uvod

Opis proizvoda

Proizvod je rotacijska kosilica za travu kojom upravlja pješak. Trava se skuplja u sakupljaču trave. Uklonite sakupljač trave kako biste omogućili izbacivanje trave na stražnjoj strani. Postavite priključak za sječku kako biste rezali travu u gnojivo.

Namjena

Proizvod upotrebljavajte za rezanje trave. Proizvod nemojte upotrebljavati za druge zadatke.

Pregled proizvoda

(Sl. 1)

1. Ručica kočnice motora
2. Blokada pokretanja
3. Ručka/upravljač
4. Pričvrtni kotačić upravljača
5. Kotačići ručke
6. Sakupljač trave
7. Priključak za sječku
8. Stražnji poklopac
9. LED indikator na proizvodu
10. Indikator upozorenja (LED svjetlo pogreške)
11. Sigurnosni ključ
12. Odjeljak za bateriju
13. Poklopac baterije
14. Simboli
15. Poluga za visinu rezanja
16. Baterija (dodatna oprema)
17. Punjač baterije (dodatna oprema)
18. Crveni LED indikator
19. Zeleni LED indikator
20. Točke za podizanje
21. Kuka
22. Korisnički priručnik

Kratke upute

Skenirajte QR kod kako biste saznali kako upotrebljavati proizvod.



Simboli na proizvodu

- (Sl. 2) UPOZORENJE
- (Sl. 3) Pročitajte upute.
- (Sl. 4) UPOZORENJE – pazite na izbačene predmete.
- (Sl. 5) Promatračima onemogućite pristup.
- (Sl. 6) UPOZORENJE – šake i stopala držite podalje od noževa.
- (Sl. 7) UPOZORENJE – odspojite bateriju prije održavanja.
- (Sl. 8) Ni proizvod ni njegova ambalaža ne spadaju u kućanski otpad. Reciklirajte ga u reciklažnoj stanici za električnu i elektroničku opremu.
- (Sl. 9) Najljepnica emisije buke u okoliš u skladu s direktivama i propisima EU i UK te propisom Novog Južnog Walesa „Zaštita od radova u okolišu (kontrola buke) iz 2017“. Zajamčena razina jačine zvuka

| | | | |
|----------|--|----------|--|
| | proizvoda naznačena je u <i>Tehnički podaci na stranici 244</i> i na naljepnici. | (Sl. 20) | Baterije upotrebljavajte samo u proizvodima s partnerskim sustavima POWER FOR ALL. |
| (Sl. 10) | Ovaj priključak ispunjava primjenjive direktive EZ-a. | | |
| (Sl. 11) | Ovaj je proizvod u skladu s važećim direktivama UK-a. | (Sl. 21) | Zaštitite bateriju od topline, npr. od trajne intenzivne sunčeve svjetlosti, plamena, prljavštine, vode i vlažnosti. Postoji opasnost od eksplozije i kratkog spoja. |
| (Sl. 12) | Ovaj je proizvod zaštićen od curenja. | (Sl. 22) | |
| (Sl. 13) | Za zaustavljanje otpustite ručicu kočnice motora. | (Sl. 16) | Punjač baterije upotrebljavajte i čuvajte isključivo u zatvorenom prostoru. |
| (Sl. 14) | Pritisnite ručicu kočnice motora kako biste pokrenuli pogon noževa. | (Sl. 17) | Dvostruka izolacija. |
| (Sl. 15) | Kôd koji se može skenirati. | | |
| (Sl. 18) | Okrenite za zaključavanje ili otključavanje. | | |

Naljepnice na proizvodu

(Sl. 23)

OPASNOST – ruke i stopala držite podalje.

Pouzdanost proizvoda

Sukladno zakonima o pouzdanosti proizvoda nismo odgovorni za oštećenja uzrokovana našim proizvodima ako je:

- proizvod nepravilno popravljen
- proizvod popravljen dijelovima koje nije proizveo proizvođač ili nemaju odobrenje proizvođača
- proizvod ima dodatnu opremu koje nije proizveo proizvođač ili nemaju odobrenje proizvođača
- proizvod nije popravljen u odobrenom servisnom centru ili kod ovlaštene osobe.

Napomena: Drugi simboli/naljepnice na proizvodu odnose se na zahtjeve za certifikaciju na pojedinim tržištima.

Simboli na bateriji i/ili punjaču baterija

(Sl. 19)

Reciklirajte ovaj proizvod u reciklažnoj stanici za električnu i elektroničku opremu. (Primjenjuje se samo u Europi)

Sigurnost

Sigurnosne definicije

Upozorenjima, oprezima i napomenama naglašavaju se posebno važni dijelovi priručnika.



UPOZORENJE: Koristi se kada nepoštivanje uputa iz priručnika može uzrokovati smrt ili ozljede rukovatelja ili promatrača.



OPREZ: Koristi se kada nepoštivanje uputa iz priručnika može uzrokovati oštećenje proizvoda ili drugih materijala u neposrednoj blizini.

Napomena: Koristi se prikaz neophodnih dodatnih informacija za zadanu situaciju.

Opća sigurnosna upozorenja za proizvod



UPOZORENJE: Pročitajte sva sigurnosna upozorenja, upute, ilustracije i specifikacije isporučene s ovim proizvodom. Nepoštivanje svih uputa u nastavku može uzrokovati električni udar, požar i/ili ozbiljne ozljede.

Spremite sva upozorenja i upute za buduće potrebe.

Pojam „proizvod“ u upozorenjima odnosi se na proizvod napajana iz mreže (žični) ili baterijski proizvod (bežični).

Sigurnost na radnom mjestu

- **Radno mjesto mora biti čisto i dobro osvijetljeno.** Zakrčeni i tamni prostori čest su uzrok nesreća.
- **Proizvod nemojte koristiti u eksplozivnim okruženjima, primjerice u prisutnosti zapaljivih**

tekućina, plinova ili prašine. Proizvod proizvodi iskre koje mogu zapaliti prašinu ili isparavanja.

- Tijekom rada s proizvodom u blizini se ne smiju zadržavati djeca ni promatrači. Svako ometanje može uzrokovati gubitak nadzora nad strojem.

Električna sigurnost

- Utičaći proizvodi moraju odgovarati utičnicama. Nemojte ni na koji način mijenjati utikač. Proizvode sa uzemljenjem nemojte upotrebljavati s utikačima za prilagodbu. Neizmijenjeni utikači i odgovarajuće utičnice smanjuju opasnost od strujnog udara.
- Izbjegavajte tjelesni kontakt s uzemljenim površinama kao što su cijevi, radijatori, štednjaci i hladnjaci. Ako vam je tijelo uzemljeno, povećava se opasnost od strujnog udara.
- Proizvode nemojte izlagati kiši ili mokrim uvjetima. Voda koja prodire u proizvod povećava opasnost od strujnog udara.
- Pazite na kabel. Kabel nemojte upotrebljavati za prenošenje, povlačenje ili isključivanje proizvoda. Držite ga podalje od vrućine, ulja, oštih rubova ili pokretnih dijelova. Oštećeni ili isprepleteni kabeli povećavaju opasnost od strujnog udara.
- Kada proizvod upotrebljavate na otvorenom, morate upotrebljavati odgovarajući produžni kabel. Kabel predviđen za upotrebu na otvorenom smanjuje opasnost od strujnog udara.
- Ako proizvod morate upotrebljavati na vlažnom mjestu, upotrijebite uređaj zaštićen zaštitnim uređajem diferencijalne struje (RCD). Korištenje RCD uređaja smanjuje rizik od strujnog udara.

Osobna sigurnost

- Budite usredotočeni, pazite što radite i razumno upotrebljavajte proizvod. Proizvod nemojte upotrebljavati umorni ili pod djelovanjem droga, alkohola ili lijekova. Trenutak nepažnje pri upotrebi proizvoda može uzrokovati ozbiljne tjelesne ozljede.
- Upotrebljavajte opremu za osobnu zaštitu. Uvijek nosite zaštitu za oči. Upotreba zaštitne opreme poput maske za prašinu, protukliznih zaštitnih cipela, kacige i štitnika za uši u odgovarajućim uvjetima smanjuje opasnost od tjelesnih ozljeda.
- Sprječite nehotično pokretanje stroja. Prije priključivanja proizvoda na napajanje i/ili baterijski komplet te podizanja ili prenošenja sklopka mora biti u isključenom položaju. Držanje prsta na sklopki prilikom prenošenja proizvoda ili priključivanje napajanja proizvoda na kojima je sklopka uključena povećava opasnost od nezgode.
- Prije uključivanja proizvoda izvadite klin za prilagođavanje ili uklonite ključ. Ako ključ ili klin ostanu na pokretnom dijelu proizvoda, može doći do ozljeda.
- Ne posežite predaleko. Uvijek imajte dobar oslonac i održavajte ravnotežu. To omogućuje bolju kontrolu proizvoda u neočekivanim situacijama.

- Nosite prikladnu odjeću. Nemojte nositi široku odjeću ni nakit. Kosu i odjeću držite podalje od pomičnih dijelova. Široka odjeća, nakit ili duga kosa mogu zapeti u pokretnim dijelovima stroja.
- Ako su priloženi uređaji za povezivanje mehanizama za izdvajanje i prikupljanje prašine, pripazite na njihovo pravilno priključivanje i upotrebu. Upotreba mehanizama za prikupljanje prašine može smanjiti opasnosti uzrokovane prašinom.
- Zbog rutine nastale čestom primjenom proizvoda nemojte postati samodopadni te zanemarivati sigurnosna pravila. Neoprezan rad u djeliću sekunde može uzrokovati ozbiljnu ozljedu.

Korištenje i održavanje

- Nemojte preopterećivati proizvod. Upotrebljavajte proizvod koja odgovara namjeni. Odgovarajućim proizvodom posao ćete obaviti bolje i sigurnije, brzinom za koju je dizajniran.
- Nemojte upotrebljavati proizvod ako sklopka nije moguće uključiti i isključiti. Proizvod kojim ne možete upravljati sa sklopkom opasan je i mora se popraviti.
- Prije bilo kakvih izmjena, zamjene dodatne opreme ili spremanja proizvoda odspojite utikač od izvora napajanja i/ili izvadite baterijski paket iz proizvoda, ako je to moguće. Te preventivne sigurnosne mjere smanjuju opasnost od nehotičnog pokretanja proizvoda.
- Proizvode koji nisu u uporabi uskladištite izvan dohvata djece, a osobama koje nisu upoznate s proizvodom i nisu pročitale ove upute nemojte dopustiti upotrebu proizvoda. Proizvodi mogu biti opasni kada njima rukuju neiskusni korisnici.
- Održavajte proizvode i dodatnu opremu. Provjerite usklađenost pokretnih dijelova, povezanost pokretnih dijelova, cjelovitost dijelova te sva druga stanja koja mogu utjecati na rad proizvoda. Ako postoje oštećenja, prije upotrebe popravite proizvod. Brojne nezgode uzrokovane su lošim održavanjem proizvoda.
- Alati za rezanje moraju biti oštri i čisti. Ispravno održavani alati za rezanje s oštrim reznim oštricama neće se zablokirati te ih je lakše kontrolirati.
- Proizvod, dodatnu opremu, svrdla itd. upotrebljavajte u skladu s ovim uputama, uzimajući u obzir uvjete rada i posao koji je potrebno obaviti. Upotreba proizvoda za radove za koje nije namijenjen može uzrokovati opasne situacije.
- Ručke i prihvatne površine moraju biti suhe, čiste i bez tragova ulja i masti. Klizave ručke i prihvatne površine u neočekivanim situacijama onemogućuju sigurno rukovanje i kontrolu nad proizvodom.

Upotreba i čišćenje alata za bateriju

- Bateriju punite samo punjačem koji je odredio proizvođač. Punjač prikladan za jedan tip baterije može izazvati rizik od požara ako se koristi s drugom baterijom.

- **Proizvode upotrebljavajte samo uz posebno namijenjene baterijske komplete.** Upotreba bilo koje druge baterije može izazvati rizik od ozljede ili požara.
- **Kad bateriju ne koristite, držite je daleko od ostalih metalnih predmeta kao što su spojnice za papir, novčići, ključevi, čavli, vijci ili drugi mali metalni predmeti koji bi mogli dovesti do spoja između priključaka.** Kratki spoj između priključaka baterije može prouzročiti opekline ili požar.
- **U uvjetima lošeg postupanja, iz baterije može štrcnuti tekućina, izbjegavajte dodir s njom. Ako slučajno dođe do dodira, isperite vodom. Ako tekućina dođe u dodir s očima, potražite i liječničku pomoć.** Tekućina koja štrcne iz baterije može izazvati iritacije ili opekline.
- **Nemojte upotrebljavati baterijski komplet ili alat koji je oštećen ili modificiran.** Oštećene ili modificirane baterije mogu se nepredvidivo ponašati i time dovesti do požara, eksplozije ili opasnosti od ozljede.
- **Baterijski komplet ni alat nemojte izlagati vatri ni ekstremnim temperaturama.** Izlaganje vatri ili temperaturama većima od 130 °C / 265 °F može dovesti do eksplozija.
- **Pridržavajte se svih uputa za punjenje i baterijski komplet ni alat nemojte puniti izvan temperaturnog raspona navedenog u uputama.** Neispravno punjenje ili držanje na temperaturama izvan navedenog raspona može oštetiti bateriju i povećati mogućnost požara.

Usluga

- **Proizvod mora servisirati obučeni serviser isključivo s jednakim zamjenskim dijelovima.** Time se osigurava zadržavanje sigurnosti proizvoda.
- **Oštećene baterijske pakete nikada nemojte servisirati.** Servisiranje baterijskih paketa dopušteno je samo proizvođaču ili ovlaštenim servisnim distributerima.

Sigurnosna upozorenja za kosilicu

- **Izbjegavajte upotrebu kosilice u lošim vremenskim uvjetima, pogotovo ako postoji opasnost od grmljavinskog nevremena.** Time smanjujete opasnost od udara munje.
- **Temeljito provjerite ima li u području upotrebe kosilice divljih životinja.** Kosilica u pogonu može ozlijediti divlje životinje.
- **Temeljito pregledajte područje upotrebe kosilice te uklonite sve kamenje, grane, žice, kosti i druge strane predmete.** Izbačeni predmeti mogu uzrokovati tjelesne ozljede.
- **Prije upotrebe kosilice obavezno vizualno provjerite jesu li nož i sklop noža neoštećeni.** Oštećeni ili istrošeni dijelovi povećavaju opasnost od ozljede.
- **Često provjeravajte je li sakupljač trave istrošen ili pohaban.** Oštećeni ili istrošeni sakupljač trave povećava opasnost od tjelesne ozljede.
- **Štitnici moraju biti postavljeni. Štitnici moraju biti ispravni i pravilno postavljeni.** Nepričvršćen, oštećen

ili neispravan štitnik može uzrokovati tjelesnu ozljedu.

- **Sve ulazne rashladnog zraka čistite od ostataka.** Neprohodni ulazi zraka i ostaci mogu uzrokovati pregrijavanje ili opasnost od požara.
- **Tijekom rada s kosilicom obavezno nosite protukliznu i zaštitnu obuću. Kosilicu nemojte upotrebljavati bosonogi ni u otvorenim sandalama.** Tako smanjujete mogućnost ozljede stopala pri kontaktu s nožem u pokretu.
- **Tijekom upotrebe kosilice obavezno nosite duge hlače.** Vjerojatnost ozljeđivanja izbačenim predmetima povećava se kada je koža izložena.
- **Kosilicu nemojte pogoniti u mokroj travi. Hodajte, nemojte trčati.** Tako smanjujete opasnost od klizanja i pada, pri čemu može doći do osobne ozljede.
- **Kosilicu nemojte upotrebljavati na izrazito strmim kosinama.** Tako smanjujete opasnost od gubitka kontrole, klizanja i pada, pri čemu može doći do osobne ozljede.
- **Kada radite na kosinama, uvijek provjerite uporište, uvijek radite poprečno duž kosine, nikada uz ili niz, i budite iznimno pažljivi pri promjeni smjera.** Tako smanjujete opasnost od gubitka kontrole, klizanja i pada, pri čemu može doći do osobne ozljede.
- **Budite iznimno oprezni prilikom hoda unatrag ili povlačenja kosilice prema sebi. Uvijek budite svjesni svoje okoline.** Tako smanjujete opasnost od pada tijekom rada.
- **Nemojte dodirivati noževe i druge opasne pokretne dijelove dok su još u pokretu.** Time smanjujete opasnost od ozljeđivanja na pokretnim dijelovima.
- **Pri uklanjanju zaglavljenog materijala ili pranju kosilice provjerite jesu li sve električne sklopke isključene, a električni kabel odspojen.** Neočekivano pokretanje kosilice može uzrokovati ozbiljne tjelesne ozljede.

Zaštitni uređaj diferencijalne struje

- Upotrijebite zaštitni uređaj diferencijalne struje sa strujom okidanja od najviše 30 mA.

Opće sigurnosne upute



UPOZORENJE: Prije upotrebe proizvoda pročitajte upozoravajuće upute u nastavku.

- Proizvod je opasan ako ga koristite nepravilno ili ako niste oprezni. Nepoštivanje sigurnosnih uputa može uzrokovati ozljede ili smrt.
- Proizvod tijekom rada proizvodi elektromagnetsko polje. To polje u određenim okolnostima može ometati aktivne ili pasivne medicinske implantate. Za smanjenje opasnosti od smrtonosne ozljede osobama s medicinskim implantatima prije korištenja uređaja preporučujemo obraćanje liječniku i proizvođaču medicinskog implantata.

- Uvijek budite pažljivi i razumni. Ako u posebnim situacijama niste sigurni u način upotrebe stroja, prije nastavka stanite i obratite se svom distributeru tvrtke Husqvarna.
- Imajte na umu kako se rukovatelj smatra odgovornim za nezgode koje uključuju druge osobe ili njihovo vlasništvo.
- Proizvod održavajte čistim. Znakovi i naljepnice moraju biti jasno čitljivi.
- Djeci ili osobama koje nisu upoznate s ovim uputama ne dopuštajte da upotrebljavaju uređaj. Dob korisnika može biti ograničena lokalnim propisima.
- Osobu smanjenih fizičkih ili mentalnih sposobnosti obavezno nadzirite tijekom uporabe proizvoda. Cijelo vrijeme mora biti prisutna odgovorna odrasla osoba.
- Proizvod nemojte upotrebljavati kada ste umorni, bolesni ili pod utjecajem alkohola, droge ili lijekova. To negativno utječe na vaš vid, pažnju, koordinaciju i prosudbu.
- Nemojte upotrebljavati neispravni proizvod.
- Nemojte izmjenjivati proizvod ili ga upotrebljavati ako postoji mogućnost da je izmijenjen.

Sigurnost pri radu



UPOZORENJE: Prije upotrebe proizvoda pročitajte upozoravajuće upute u nastavku.

- Proizvod upotrebljavajte samo za košenje travnjaka. Upotreba za druge zadatke nije dopuštena.
- Upotrebljavajte opremu za osobnu zaštitu. Pogledajte *Oprema za osobnu zaštitu na stranici 234*.
- Provjerite znate li brzo zaustaviti motor u slučaju nužde.
- Proizvod nemojte pogoniti na kiši ni u mokrim uvjetima. Ako voda prodre u proizvod, povećava se opasnost od električnog udara.
- Proizvod upotrebljavajte samo ako su nož i svi štitičnici pravilno postavljeni. Nepravilno postavljen nož može se otpustiti i uzrokovati osobne ozljede.
- Pazite da nožem ne udarate u predmete poput kamenja ili korijenja. Time možete oštetiti nož i saviti vratilo motora. Savijena osovina uzrokuje snažne vibracije i vrlo visoku opasnost od otpuštanja noža.
- Ako nožem udarite u predmet ili osjetite vibracije, odmah zaustavite proizvod. Zaustavite motor, okrenite sigurnosni ključ na 0 i uklonite bateriju. Pričekajte na zaustavljanje pokretnih dijelova. Pregledajte je li proizvod oštećen. Zategnite nepričvršćene dijelove. Popravite oštećenja i zamijenite oštećene dijelove. Popravke prepustite odobrenom servisnom agentu.
- Ručicu kočnice motora nikada trajno nemojte pričvrstiti za ručku kada je motor u pogonu.

- Proizvod postavite na stabilnu, ravnu površinu i pokrenite ga. Noževi ne smiju udarati u tlo ili druge predmete.
- Tijekom rukovanja proizvodom obavezno budite iza njega.
- Tijekom rukovanja proizvodom svi kotači trebaju biti na tlu, a obje ruke na ručki. Šake i stopala držite podalje od rotirajućih noževa.
- Nemojte naginjati proizvod tijekom pokretanja motora ili njegovog pogona.
- Budite pažljivi pri povlačenju proizvoda unatrag.
- Proizvod nikada nemojte podizati kada je motor pokrenut. Ako morate podići proizvod, prvo zaustavite motor, okrenite sigurnosni ključ na 0 i uklonite bateriju.
- Tijekom rada s proizvodom nemojte hodati unatrag.
- Zaustavite motor kada je proizvod nužno nagnuti radi transporta ili prelaska preko površina bez trave, primjerice šljunčanih, kamenih ili asfaltnih putova.
- Nemojte trčati s proizvodom kada je motor pokrenut. Obavezno hodajte tijekom rada s proizvodom.
- Prije promjene visine rezanja zaustavite motor. Nemojte provoditi prilagodbe s pokrenutim motorom.
- Proizvod s pokrenutim motorom ne ispuštajte iz vida. Zaustavite motor i provjerite je li rezna oprema zaustavljena.
- Vibracije na proizvodu u pogonu mogu se razlikovati od vrijednosti vibracija navedenih pod *Tehnički podaci na stranici 244*. Razlikuju uzrokuju varijacije u načinu upotrebe proizvoda. Ako proizvod često pogonite dugo, redovito odmarajte kako biste spriječili ozljede uzrokovane vibriranjem.

Sigurnosne upute za rad

Oprema za osobnu zaštitu



UPOZORENJE: Prije upotrebe proizvoda pročitajte upozoravajuće upute u nastavku.

- Oprema za osobnu zaštitu ne može u potpunosti spriječiti ozljede, no smanjuje stupanj ozljede u slučaju nezgode. Pri odabiru odgovarajuće opreme zatražite pomoć ovlaštenog trgovca.
- Nosite čizme otporne na klizanje ili cipele za teške uvjete rada. Nemojte nositi otvorene cipele ili biti bosi.
- Nosite teške, duge hlače.
- Prema potrebi nosite zaštitne rukavice, primjerice prilikom pričvršćivanja, pregleda ili čišćenja rezne opreme.
- Preporučujemo upotrebu zaštite sluha.

Sigurnosni uređaji za proizvod



UPOZORENJE: Prije upotrebe proizvoda pročitajte upozoravajuće upute u nastavku.

- Nemojte koristiti proizvod s oštećenim zaštitnim uređajima.
- Sigurnosne uređaje nije dopušteno uklanjati ili izmjenjivati.
- Redovito pregledavajte sigurnosne uređaje. Ako su sigurnosni uređaji neispravni, obratite se Husqvarna ovlaštenom trgovcu.

Provjera reznog poklopca

Rezni poklopac smanjuje vibriranje proizvoda te opasnost od ozljede nožem.

- Provjerite ima li na pokrovu noža oštećenja, primjerice napuklina.

Provjera sigurnosnog ključa

Sigurnosni ključ nalazi se ispod poklopca baterije. Sigurnosni ključ priključuje bateriju koja napaja motor.

- Pokrenite i zaustavite motor kako biste provjerili sigurnosni ključ.
- Ako sigurnosni ključ ispravno funkcionira, motor se pokreće samo kad je sigurnosni ključ u položaju 1. (Sl. 24)

Provjera ručice kočnice motora

Ručicom kočnice motora zaustavljate motor. Motor se zaustavlja po otpuštanju ručice kočnice motora.

- Pokrenite proizvod. Pogledajte *Pokretanje proizvoda na stranici 239*.
- Otpustite ručicu kočnice motora. (Sl. 25)
- Provjerite je li se proizvod zaustavio. Ako se motor ne zaustavi za 3 sekunde, podesite kočnicu motora kod servisera tvrtke Husqvarna.

Provjera blokade paljenja

Ispitajte blokadu pokretanja kako biste se uvjerali da sprječava pogon motora.

1. Ručicu kočnice motora gurnite prema upravljaču. Blokada pokretanja zaustavlja pomak.
2. Istisnite blokadu pokretanja. (Sl. 26)
3. Otpustite blokadu pokretanja i provjerite vraća li se u početni položaj.

Sigurnost baterije



UPOZORENJE: Pročitajte sve

sigurnosne i opće upute. Nepridržavanjem sigurnosnih i općih uputa možete uzrokovati strujni udar, požar i / ili teške ozljede.

Sačuvajte sve sigurnosne informacije i opće upute za buduću upotrebu.

- Ove sigurnosne upute primjenjive su samo za litij-ionske punjive baterije od 18 V za sustav POWER FOR ALL.
- Punjive baterije upotrebljavajte samo u proizvodima s partnerskim sustavima POWER FOR ALL. Punjive

baterije od 18 V s oznakom POWER FOR ALL potpuno su kompatibilne sa sljedećim proizvodima:

– Svim proizvodima s baterijskim sustavom POWER FOR ALL od 18 V.

– Svim proizvodima s partnerskim sustavima POWER FOR ALL od 18 V.

- **Poštujte preporuke za baterije iz korisničkog priručnika za proizvod.** Samo tako je punjive baterije i proizvod moguće sigurno upotrebljavati, a punjive baterije zaštititi od opasnog preopterećenja.
- **Baterije punite samo punjačima koje preporučuje proizvođač ili iz partnerskih sustava POWER FOR ALL.** Punjač prikladan za jednu vrstu baterije može uzrokovati opasnost od požara ako se upotrebljava s drugom baterijom.
- **Baterija se isporučuje djelomično napunjena.** Kako biste osigurali puni kapacitet baterije, prije prve upotrebe motornog proizvoda napunite bateriju u punjaču.
- **Baterijske pakete držite izvan dohvata djece.**
- **Bateriju nemojte otvarati.** Postoji opasnost od kratkog spoja.
- **U slučaju oštećenja ili nepravilne upotrebe baterije može doći do ispuštanja para. Baterija se može zapaliti ili eksplodirati.** Osigurajte dobro prozračenošću prostora i zatražite liječničku pomoć ako osjetite negativne učinke. Pare mogu nadražiti respiratorni sustav.
- **Ako se nepravilno upotrebljavaju ili dođe do oštećenja baterije, može doći do ispuštanja zapaljive tekućine iz baterija. Kontakt s tom tekućinom treba izbjegavati. Ako slučajno dođe do kontakta, isperite vodom. Ako tekućina dođe u kontakt s očima, zatražite dodatnu liječničku pomoć.** Tekućina koja štrcne iz baterije može izazvati iritacije ili opekline.
- **Ako se baterija ošteti, može doći do ispuštanja tekućine koja će prekriti okolne površine. Provjerite zahvaćene dijelove.** Očistite dijelove ili ih po potrebi zamijenite.
- **Baterijski paket nemojte kratko spajati. Kad baterijski paket ne upotrebljavate, držite ga dalje od drugih metalnih predmeta poput spojica za papir, novčića, ključeva, čavala, vijaka ili drugih malih metalnih predmeta koji mogu spojiti priključke.** Kratki spoj priključaka baterije može uzrokovati opekline ili požar.
- **Bateriji mogu oštetiti šiljasti predmeti poput čavala ili odvijača, ili vanjska sila.** Može doći do unutarnjeg kratkog spoja koji uzrokuje zapaljenje, dimljenje, eksploziju ili pregrijavanje baterije.
- **Oštećene baterijske komplete nikada nemojte servisirati.** Servisiranje baterijskih kompleta dopušteno je samo proizvođaču ili ovlaštenim servisnim distributerima.
- **Zaštitite bateriju od topline, npr. od trajne intenzivne sunčeve svjetlosti, plamena, prljavštine, vode i vlažnosti.** Postoji opasnost od eksplozije i kratkog spoja.

- **Bateriju u proizvodu upotrebljavajte samo pri temperaturama okoline u rasponu od 0 °C – +40 °C.**
- **Bateriju skladištite samo pri temperaturi okoline u rasponu od -20 °C – +50 °C.** Na primjer, bateriju tijekom ljeta nemojte ostavljati u automobilu. Pri temperaturama < 0 °C na nekim uređajima dolazi do smanjenja snage.
- **Bateriju punite samo pri temperaturi okoline u rasponu od 0 °C – +35 °C.. Punjivu bateriju punite USB kablom samo pri temperaturi okoline između +10 °C i 35 °C.** Pri punjenju izvan ovog raspona temperature povećava se opasnost od oštećenja baterije i opasnost od požara.
- **Punjač nemojte upotrebljavati na lako zapaljivoj površini (npr. papiru, tkanini itd.) ili u zapaljivom okruženju.** Postoji opasnost od požara zbog zagrijavanja punjača tijekom rada.
- **Ventilacijske otvore punjača nemojte pokrivati.** Inače može doći do pregrijavanja i punjač više neće raditi ispravno.
- **Bateriju punite samo punjačem koji navodi proizvođač.** Punjač prikladan za jednu vrstu baterije može uzrokovati opasnost od požara ako se upotrebljava s drugim baterijskim kompletom.
- **U slučaju oštećenja ili nepravilne upotrebe baterije također može doći do ispuštanja para.** Osigurajte dobro prozračenošću prostora i zatražite liječničku pomoć ako osjetite negativne učinke. Pare mogu nadražiti respiratorni sustav.
- **Pri zlouporabi iz baterije može štrcnuti tekućina. Kontakt s tom tekućinom treba izbjegavati. Ako slučajno dođe do kontakta, isperite vodom. Ako tekućina dođe u kontakt s očima, zatražite dodatnu liječničku pomoć.** Tekućina koja štrcne iz baterije može izazvati iritacije ili opekline.
- **Proizvod koji se prodaju samo u VB:** Proizvod je opremljen s električnim utikačem s unutarnjim osiguračem s odobrenjem BS 1363/A (odobrenje ASTA prema BS 1362). Ako je utikač neprikladan za utičnice, kod ovlaštenog servisnog agenta trebate zamijeniti s prikladnim utikačem. Zamjenski utikač mora imati isti osigurač kao i originalni utikač. Odvojeni utikač mora se baciti u otpad kako bi se spriječila od strujnog udara i nikada se ne smije umetati u mrežnu utičnicu.

Sigurnost punjača baterije



UPOZORENJE: Pročitajte sve sigurnosne i opće upute. Nepridržavanjem sigurnosnih i općih uputa možete uzrokovati strujni udar, požar i / ili teške ozljede. **Ove upute spremite na sigurno mjesto.** Punjač upotrebljavajte samo ako možete u potpunosti procijeniti sve funkcije i provoditi ih bez ograničenja, ili ako ste dobili odgovarajuće upute.

- **Ovaj punjač ne smiju upotrebljavati djeca ili osobe s umanjnim fizičkim, osjetilnim ili mentalnim sposobnostima ili nedostatkom iskustva i znanja. Ovaj uređaj smiju upotrebljavati djeca od 8 godina ili starija s umanjnim fizičkim, osjetilnim ili mentalnim sposobnostima ili nedostatkom iskustva i znanja ako su pod nadzorom osobe odgovorne za njihovu sigurnost ili ako su upućeni u sigurnu upotrebu punjača te razumiju obuhvaćene opasnosti.** U suprotnom postoji opasnost od pogrešaka tijekom rada ili ozljeda.
- **Nadzirite djecu tijekom upotrebe, čišćenja i održavanja.** Tako osiguravate da se djeca ne igraju s punjačem.
- **Punite samo baterije sustava POWER FOR ALL od 18 V s kapacitetom od 1,5 Ah. Napon baterije mora se podudarati s naponom punjača za punjenje baterije. Nemojte puniti baterije koje se ne mogu puniti.** U suprotnom uzrokuje opasnost od požara i eksplozije.
- **Punjač upotrebljavajte samo u zatvorenom prostoru i ne izlažite ga vlažnim uvjetima.** Prodor vode u motorni alat povećava opasnost od strujnog udara.
- **Punjač održavajte čistim.** Onečišćenje uzrokuje opasnost od strujnog udara.
- **Prije upotrebe obavezno pregledajte punjač, kabl i utikač.** Ako pronađete bilo kakvo oštećenje, prekinite s upotrebom punjača. Punjač nemojte otvarati sami, a popravak prepustite samo tvrtki Husqvarna ili ovlaštenom servisnom centru s isključivo originalnim zamjenskim dijelovima. Oštećeni punjači, kabli i utikači povećavaju opasnost od strujnog udara.

Sigurnosne upute za održavanje



UPOZORENJE: Prije upotrebe proizvoda pročitajte upozoravajuće upute u nastavku.

- kako biste spriječili nenamjerno pokretanje tijekom održavanja, okrenite sigurnosni ključ na 0 i uklonite bateriju. Pričekajte najmanje 5 sekundi prije početka održavanja.
- Provodite samo održavanje opisano u ovom korisničkom priručniku. Opsežnije radove i profesionalne popravke obavezno provodi ovlašteni servisni agent. Za više informacija obratite se najbližem serviseru.
- Pravilno provedite radove održavanja kako biste produljili vijek trajanja proizvoda i smanjili opasnost od nezgoda.
- Zamijenite oštećene, istrošene ili polomljene dijelove. Obavezno upotrebljavajte originalne rezervne dijelove odgovarajućeg proizvođača. Drugi rezervni dijelovi mogu oštetiti proizvod i povećavaju opasnost od nezgoda.
- Kako biste spriječili ozljede, nemojte uklanjati ili izmjenjivati sigurnosne uređaje.

- Tijekom rada s reznom opremom nosite rukavice na teške uvjete rada. Nož je vrlo oštar i lako dolazi do posjekotina.
- Rezne rubove održavajte naoštrenima i čistima kako biste osigurali najsigurnije radne značajke.
- Redovno pregledavajte proizvod i provodite potrebne prilagodbe i popravke kod servisera.
- Pridržavajte se uputa za zamjenu dodatne opreme. Upotreblijavajte isključivo dodatnu opremu proizvođača.
- Kada ih ne upotrebljavate, proizvod, bateriju i punjač baterije skladištite odvojeno u zatvorenom, suhom i zaključanom prostoru. Djeci i neovlaštenim osobama onemogućite pristup proizvodu, bateriji i punjaču.

Sastavljanje

Uvod



UPOZORENJE: Prije sastavljanja proizvoda pročitajte poglavlje o sigurnosti.



UPOZORENJE: Kako biste spriječili nenamjerno pokretanje pri sastavljanju okrenite sigurnosni ključ na 0, uklonite bateriju i pričekajte najmanje 5 sekundi.

Prilagođavanje visine ručke

Visinu ručke na proizvodu moguće je proizvoljno postavljati. Visinu je moguće postaviti na odgovarajuću između dvije zadane točke.

1. Postavljanje proizvoda u položaj za rad. Pogledajte *Postavljanje proizvoda u položaj za rad na stranici 238*.
2. Pričvrstne kotačiće na upravljaču okrenite u smjeru suprotnom od kazaljke na satu. (Sl. 27)
3. Povucite upravljač u prikladan položaj.
4. Dvije šipke upravljača postavite na istu razinu.



OPREZ: Ako šipke upravljača nisu poravnate, doći će do oštećenja proizvoda.

5. Pričvrstne kotačiće na upravljaču okrenite u smjeru kazaljke na satu.
6. Potpuno zategnite pričvrstne kotačiće.

Ugradnja sakupljača trave

1. Podignite stražnji poklopac.

2. Uklonite priključak za sječku.
3. Pričvrstite sakupljač trave za gornji rub šasije.
4. Donji dio sakupljača trave postavite na kanal za izbacivanje trave. (Sl. 28)



OPREZ: Provjerite brtvi li sakupljač trave dobro uz šasiju proizvoda.

Ugradnja priključka za sječku

1. Podignite stražnji poklopac i uklonite sakupljač trave.
2. Pritišćite priključak za sječku u kanal za pražnjenje dok ne čujete škljocaj. (Sl. 29)

Postavljanje kuke na zid

- Kuku postavite u zatvorenom prostoru.
- Kuka treba biti izvan dosega sunčevih zraka, na temperaturi okoline od - 10 °C do 70 °C.
- Kuku postavite na gipsani zid, drvo ili betonski zid.



OPREZ: Provjerite ima li zid nosivost od najmanje 30 kg.

- Kuku na zid postavite s tri vijka (A). Ako je potrebno, primijenite tiple (B). (Sl. 30)



OPREZ: Provjerite jesu li vijci prikladni za vrstu vašeg zida.

- Informacije o dostupnoj opremi za skladištenje proizvoda zatražite od servisnog agenta tvrtke Husqvarna.

Rad

Uvod



UPOZORENJE: Prije rada s proizvodom morate pročitati i usvojiti poglavlje o sigurnosti.

Husqvarna Connect

Husqvarna Connect besplatna je aplikacija za mobilni uređaj. Aplikacija Husqvarna Connect pruža vam dodatne funkcije za proizvod Husqvarna.

- Opširnije informacije o proizvodu.
- Dodatne informacije i pomoć za dijelove i servisiranje proizvoda.

Početak rada s Husqvarna Connect

1. Preuzmite aplikaciju Husqvarna Connect na svoj mobilni uređaj.
2. Registrirajte se u aplikaciji Husqvarna Connect.
3. Pratite korake iz uputa u aplikaciji Husqvarna Connect kako biste se povezali i registrirali proizvod.

Napomena: Aplikacija Husqvarna Connect nije na svim tržištima dostupna za preuzimanje. Za više informacija obratite se servisnom distributeru.

Postavljanje proizvoda u položaj za rad

1. Kotačiće ručke okrenite u otključani položaj. (Sl. 31)
2. Rasklapajte ručku dok ne čujete škljocaj. (Sl. 32)



OPREZ: Kabeli ne smiju biti previše zategnuti. Prevelika zategnutost može izazvati oštećenja kabela ako se ručica preklopi u položaj za transport.



UPOZORENJE: Provjerite je li ručka potpuno preključena te zaključana u tom položaju.

3. Prilagodite visinu ručke. Pogledajte *Prilagodavanje visine ručke na stranici 237*.

Postavljanje visine rezanja

1. Polugu za visinu rezanja pomaknite unatrag kako biste povećali visinu rezanja.
2. Polugu za visinu rezanja pomaknite naprijed kako biste smanjili visinu rezanja. (Sl. 33)



OPREZ: Visinu rezanja nemojte postaviti prenisko. Noževi mogu udariti u tlo ako površina travnjaka nije ravna.

Baterija



UPOZORENJE: Prije upotrebe baterije morate pročitati i usvojiti poglavlje o sigurnosti. Također morate pročitati i usvojiti korisnički priručnik za bateriju i punjač baterije.

Bateriju i punjač čuvajte na ispravnoj temperaturi okoline.

| | Temperatura okoline |
|-------------------------------|---------------------|
| Upotreba baterije u proizvodu | 0 °C – +40 °C |
| Punjenje baterije | 0 °C – +35 °C |

Zamjena baterije

Prije prve upotrebe napunite bateriju.

Napomena: Proces punjenja moguć je jedino kad je temperatura baterije unutar dopuštenog raspona temperature punjenja (0 – 45 °C).

1. Pojni kabel punjača baterije priključite na uzemljenu mrežu.



OPREZ: Provjerite ima li mreža ispravan napon i frekvenciju.

2. Postavite bateriju u punjač baterije. Baterija je priključena na punjač baterije kada treperi zeleni LED indikator. (Sl. 34)
3. Baterija je potpuno napunjena kada je zeleni LED indikator na bateriji uključen. Bateriju puniti najdulje 24 sata.
4. Odspojite punjač baterije od mreže.



OPREZ: Nemojte povlačiti kabel za napajanje.

5. Izvadite bateriju iz punjača baterije.

LED indikator statusa na punjaču baterije

Crveni (A) i zeleni (B) LED indikator na punjaču baterije prikazuju status baterije. Pogledajte *Rješavanje problema s baterijom punjača na stranici 241*.

(Sl. 35)

| LED | Status baterije |
|-------------------------------------|---|
| Zeleni LED indikator brzo treperi. | Baterija se puni. |
| Zeleni LED indikator sporo treperi. | Baterija je napunjena 80 %. |
| Zeleni LED indikator je uključen. | Baterija je potpuno napunjena. |
| Crveni LED indikator je uključen. | Pogledajte <i>Rješavanje problema s baterijom punjača na stranici 241</i> . |
| Crveni LED indikator brzo treperi. | Pogledajte <i>Rješavanje problema s baterijom punjača na stranici 241</i> . |

LED indikator statusa baterije na proizvodu

Kada bateriju postavite u proizvod, LED indikatori na bateriji prikazuju status baterije.

(Sl. 36)

| LED | Status baterije |
|-----------------------------------|--|
| Svijetle LED indikatori 1, 2 i 3. | Potpuno napunjena. |
| Svijetle LED indikatori 1 i 2. | Dovoljno napunjena |
| Svijetli LED indikator 1. | Baterija je slaba. |
| LED indikator 1 treperi. | Baterija je prazna. Indikator statusa baterije treperi. Napunite bateriju. Pogledajte <i>Zamjena baterije na stranici 238.</i> |

Pokretanje proizvoda

- Otvorite poklopac baterije.
- Napunjenu bateriju stavite u držač za baterije.
- Okrenite sigurnosni ključ na 1. (Sl. 37)
- Stanite iza proizvoda.
- Otpustite blokadu pokretanja. (Sl. 26)
- Ručicu kočnice motora gurnite prema upravljaču. (Sl. 38)

Funkcija za velika opterećenja

Kada proizvodom kosite vlažnu travu, motor automatski povećava broj o/min. Motor se vraća u standardni način rada kada više nije potrebna velika snaga.

Zaustavljanje motora

Tijekom rada može doći do privremenog zaustavljanja noža i motora uzrokovanog preprekama poput nakupina trave ispod reznog poklopca. Pogledajte *Za čišćenje proizvoda na stranici 240.*



UPOZORENJE: Prije provjere reznog poklopca otpustite ručicu kočnice motora,

sigurnosni ključ okrenite na 0, uklonite bateriju i pričekajte najmanje 5 sekundi. Ako dođe do otpuštanja prepreke i nehotičnog pokretanja proizvoda, može doći do ozljede.

Zaustavljanje proizvoda



UPOZORENJE: Prije ostavljanja proizvoda bez nadzora okrenite sigurnosni ključ na 0.

- Otpustite ručicom kočnice motora kako biste zaustavili motor. (Sl. 39)
- Otvorite poklopac baterije i okrenite sigurnosni ključ na 0. (Sl. 40)
- Za uklanjanje baterije pritisnite gumb za otpuštanje i izvadite bateriju. (Sl. 41)
- Zamijenite slabu bateriju. Više informacija potražite pod *Zamjena baterije na stranici 238.*

Za dobar ishod

- Uvijek upotrebljavajte oštar nož. Tup nož daje nepravilne rezultate, a rezana površina trave požuti. Oštar nož također troši manje energije od tupog.
- Nemojte rezati više od $\frac{1}{3}$ od duljine trave. Prvo kosite s visoko postavljenom visinom za rezanje. Provjerite rezultat i spustite visinu rezanja na prihvatljivu razinu. Ako je trava vrlo dugačka, vozite polako i po potrebi kosite 2 puta.
- Svaki put kosite u drugom smjeru kako biste spriječili nastanak traka na travnjaku.
- Pokrov noža mora biti čist. Nakupine trave i prljavštine s unutarnje strane pokrova noža mogu umanjiti rezultate rezanja. Pogledajte *Za čišćenje proizvoda na stranici 240.*

Održavanje

Uvod



UPOZORENJE: Prije održavanja morate pročitati i usvojiti poglavlje o sigurnosti.

Za sve radove servisiranja i održavanja na proizvodu potrebna je posebna obuka. Jamčimo dostupnost profesionalnih popravaka i servisa. Ako vaš distributer nije serviser, od njega zatražite informacije o najbližem serviseru.

Detaljnije informacije potražite pod www.husqvarna.com.

Raspored održavanja

Intervali održavanja izračunati su za dnevnu upotrebu proizvoda. Intervali se mijenjaju ako se proizvod ne upotrebljava svakodnevno.

Za održavanja označena s * pogledajte upute u *Sigurnost na stranici 231.*

| | Svaka upotreba | Mjesečno | Svake sezone |
|--|----------------|----------|--------------|
| Provedite opći pregled. | X | | |
| Očistite proizvod. | X | | |
| Provjerite blokadu paljenja. * | X | | |
| Provjerite ispravnost sigurnosnih uređaja na proizvodu. * | X | | |
| Pregledajte reznu opremu. | X | | |
| Pregledajte pokrov noža. * | X | | |
| Provjerite ručicu kočnice motora. * | X | | |
| Provjerite je li baterija oštećena. | X | | |
| Provjerite napunjenost baterije. | X | | |
| Provjerite ispravnost gumba za otpuštanje baterije i pričvršćivanje baterije u proizvodu. | X | | |
| Provjerite je li punjač baterije oštećen i uvjerite se u njegovu ispravnost rada. | | X | |
| Pregledajte spojeve između baterije i proizvoda. Također pregledajte spojeve između baterije i punjača baterije. | | | X |

Za opći pregled

- Provjerite jesu li zategnuti matice i vijci na proizvodu.
- Kabeli na proizvodu ne smiju biti u položaju u kojem se mogu oštetiti.

Za čišćenje proizvoda

- Plastične dijelove čistite čistom i suhom krpom.
- Proizvod nemojte čistiti vodom. Voda može prodrijeti u bateriju ili motor i uzrokovati kratki spoj ili oštetiti proizvod.
- Za čišćenje proizvoda nemojte koristiti visokotlačni stroj za pranje.
- Nemojte liti vodu izravno na motor.
- Četkom uklonite lišće, travu i onečišćenja.

Čišćenje baterije i punjača baterije



UPOZORENJE: Bateriju ili punjač baterije nikada nemojte čistiti vodom.



UPOZORENJE: Bateriju nemojte čistiti nikakvim kemijskim sredstvima.

- Prije umetanja baterije u punjač baterije provjerite jesu li baterija i punjač baterije čisti i suhi.
- Očistite polove baterije komprimiranim zrakom ili upotrijebite mekanu i suhu krpu.

- Površine baterije i punjač baterije očistite mekanom i suhom krpom.

Za pregled rezne opreme



UPOZORENJE: Kako biste spriječili nenamjerno pokretanje sigurnosni ključ okrenite na 0, uklonite bateriju i pričekajte najmanje 5 sekundi.



UPOZORENJE: Tijekom održavanja rezne opreme nosite zaštitne rukavice. Nož je vrlo oštar i lako dolazi do posjekotina.

1. Pregledajte ima li na reznoj opremi oštećenja ili pukotina. Oštećenu reznu opremu obavezno zamijenite.
2. Pregledajte nož kako biste ustanovili je li oštećen ili tup.

Napomena: Nakon oštrenja nož je nužno uravnotežiti. Nož naoštrite, zamijenite i uravnotežite u servisnom centru. Ako se pri udaru u prepreku proizvod zaustavi, zamijenite oštećeni nož. Procjenu za oštrenje ili zamjenu noža prepustite servisnom centru.

Zamjena noža

Pogledajte *Tehnički podaci na stranici 244* za ispravnu vrstu noža.



UPOZORENJE: Blokirate nož drvenim blokom kako biste spriječili ozljede prstiju pri zamjeni noža. Nož je pomičan kada je motor isključen te može doći do zaglavljenja prstiju između noža i nepomičnih dijelova.

1. Blokirate nož drvenim blokom. (Sl. 42)
2. Uklonite vijak noža.
3. Uklonite nož.
4. Provjerite jesu li nosač noža i vijak noža neoštećeni.
5. Pregledajte vratilo motora kako biste se uvjerali da nije savijeno.
6. Zaobljene rubove novog noža pri postavljanju usmjerite prema pokrovu noža. (Sl. 43)

7. Nož mora biti poravnat sa središtem vratila motora.
8. Blokirate nož drvenim blokom. Postavite elastični rasječeni prsten i zategnite vijak i podlošku na zatezni moment od 23-28 Nm. (Sl. 44)
9. Ručno povucite nož u krug kako biste provjerili okreće li se slobodno.



UPOZORENJE: Nosite rukavice za teške uvjete rada. Nož je vrlo oštar i lako dolazi do posjekotina.

10. Pokrenite proizvod kako biste ispitali nož. Ako nož nije ispravno pričvršćen, proizvod vibrira ili ishod košenja nije zadovoljavajuć.

Rješavanje problema

Rješavanje problema s baterijom punjača

| LED indikator na punjaču baterije | Uzrok | Rješenje |
|--|--|---|
| Zeleni LED indikator je uključen, a crveni LED indikator treperi. | Baterija nije pravilno postavljena u punjač baterije. | Uklonite bateriju iz punjača i ponovno je umetnite u punjač. |
| | Priključci baterije onečišćeni su. | Očistite priključke baterije. |
| | Punjač je identificirao unutarnju grešku. | Sve baterije moraju biti potpuno umetnute. Uklonite mrežni utikač i ponovno ga umetnite. Ako se greška nastavi pojavljivati, punjač mora pregledati ovlašteni servisni centar za Husqvarna proizvode. |
| | Baterija je neispravna. | Zamijenite bateriju. |
| Crveni LED indikator je uključen, a zeleni LED indikator je isključen. | Temperatura baterije izvan je raspona za punjenje. | Pričekajte dok se temperatura baterije vrati unutar dopuštenog raspona temperatura za punjenje (0 – 45 °C). |
| Zeleni LED indikator i crveni LED indikator isključeni su. | Punjač baterije nije pravilno priključen na mrežnu utičnicu. | Punjač baterije priključite na mrežnu utičnicu. |
| | Neispravna mrežna utičnica. | Priključite punjač baterije na napon i frekvenciju koji su navedeni na natpisnoj pločici. |
| | Kabel punjača baterije je neispravan. | Obratite se ovlaštenom serviseru. |
| | Punjač baterije je neispravan. | |
| Ostale pogreške. | Ako dođe od pogreške, obavezno isključite proizvod, izvadite bateriju i obratite se ovlaštenom servisnom agentu. | |

Rješavanje problema s kosilicom

Indikator upozorenja (LED pogreške) nalazi se na stražnjoj strani proizvoda, iza poklopca baterije.

| Problem | LED pogreške (broj treperenja) | Uzrok | Rješenje |
|---|---|--|--|
| Treperenje LED indikatora za pogreške. Proizvod ne radi ispravno. | 5. | Nož je blokiran. | Okrenite sigurnosni ključ u položaj 0 kako biste spriječili nenamjerno pokretanje. Izvadite bateriju i pričekajte najmanje 5 sekundi. Uklonite moguće prepreke i provjerite okreću li se noževi neometano. Ako niste uklonili problem, obratite se ovlaštenom serviseru. |
| | | Prevelik pad brzine motora i zaustavljanje motora. | Povećajte visinu rezanja. Pogledajte <i>Postavljanje visine rezanja na stranici 238</i> . |
| | 10 | Pregrijano je upravljanje motorom. | Zaustavite motor i pričekajte da se ohladi. |
| Treperenje LED indikatora za pogreške. Proizvod se zaustavlja. | 22. | Temperatura baterije previsoka je jer je temperatura u radnom okruženju previsoka. | Uklonite baterije iz stroja i čekajte da se stroj ohladi prije nego ga ponovno pokrenete. Provjerite ispravnost temperature okoline. Bateriju upotrebljavajte na temperaturama između 0 °C i +40 °C. Ako se problem nastavi, obratite se ovlaštenom serviseru. |
| | | Temperatura baterije je previsoka jer je motor preopterećen. | Povećajte visinu rezanja. Pogledajte <i>Postavljanje visine rezanja na stranici 238</i> . Ako niste uklonili problem, obratite se ovlaštenom serviseru. |
| | 0 | Kvar priključka baterije. | Pregledajte priključak baterije. |
| | 3. | Motor je preopterećen. | Povećajte visinu rezanja. Pogledajte <i>Postavljanje visine rezanja na stranici 238</i> . |
| | 9. | Pogreška baterije ili nema signala baterije. | Pravilno umetnite bateriju u proizvod i pregledajte priključak baterije. Ako treperi LED pogreške, pogledajte <i>Rješavanje problema s baterijom punjača na stranici 241</i> . Ako niste uklonili problem, obratite se ovlaštenom serviseru. |
| | 8. | Baterija je slaba. | Napunite bateriju. Pogledajte <i>Zamjena baterije na stranici 238</i> . |
| | 12 | Nepravilan postupak pokretanja. Ručka kočnice motora bila je aktivirana prije pokretanja motora. | Otpustite ručku kočnice motora i pričekajte približno 5 sekundi. Ponovno gumnite ručku kočnice motora prema dolje za pokretanje proizvoda. |
| Ostale pogreške. | Ako dođe od pogreške, sigurnosni ključ okrenite na 0, izvadite bateriju i obratite se ovlaštenom serviseru. | | |

Prijevoz, spremanje i zbrinjavanje

Uvod



UPOZORENJE: Kako biste spriječili nenamjerno pokretanje tijekom prijevoza i pri sastavljanju, sigurnosni ključ okrenite na 0, uklonite bateriju i pričekajte najmanje 5 sekundi.

Postavljanje proizvoda u položaj za prijevoz

1. Uklonite sakupljač trave i provjerite je li prazan.
2. Pričvrstne kotačiće na ručki postavite u otključani položaj okretanjem smjeru suprotnom od kazaljke na satu. (Sl. 45)
3. Pritisnite ručicu u smjeru stražnjeg poklopca.
4. Okretanjem smjeru kazaljke na satu pričvrstne kotačiće na ručki postavite u zaključani položaj.
5. Kotačiće ručke okrenite u otključani položaj. (Sl. 46)
6. Preklapajte ručku dok ne čujete škljocaj. (Sl. 47)

Pogledajte *Postavljanje proizvoda u položaj za skladištenje na stranici 243* za skladištenje proizvoda.

Prijevoz

- Na sadržane litij-ionske baterije primjenjuju se zahtjevi zakona o opasnim tvarima.
- Za komercijalne Transporte morate poštivati posebne zahtjeve za pakiranje i oznake.
- Provjerite poštivanje propisa za opasne materijale tijekom pripreme proizvoda za transport. Primjenjuju se lokalni propisi.
- Prije prijevoza obavezno izvadite bateriju.
- Preljepite priključke baterije trakom i onemogućite pomicanje baterije tijekom transporta.
- Pričvrstite proizvod tijekom transporta.

Skladištenje

- Prije skladištenja proizvoda pričekajte na njegovo hlađenje.
- Prije skladištenja obavezno izvadite bateriju.
- Kako biste spriječili nezgode, bateriju tijekom skladištenja nemojte ostaviti priključenu na proizvod.
- Punjač baterije spremite u zatvoren, suh prostor.
- Bateriju i punjač baterije spremite u suh prostor u koji ne može prodrijeti vlaga ili mraz.
- Bateriju za skladištenje uklonite s punjača baterije.
- Bateriju nemojte skladištiti u prostoru u kojem može nastati statički elektricitet. Bateriju nemojte čuvati u metalnoj kutiji.
- Proizvod čuvajte na temperaturi okoline između - 20 °C i 50 °C.

- Bateriju čuvajte na temperaturi okoline između - 20 °C i 50 °C i zaštitite je od sunčeve svjetlosti.
- Punjač baterije spremite u suh i zatvoren prostor, zaštićen od smrzavanja.
- Prije dugotrajnog skladištenja obavezno očistite i napunite bateriju.
- Proizvod, bateriju i punjač baterije skladištite u zaključanom prostoru izvan dosega djece i neodobrenih osoba.
- Očistite proizvod i provjerite je li sakupljač trave prazan.
- Provodite postupke održavanja iz ovog korisničkog priručnika. Pogledajte *Održavanje na stranici 239*.
- Prije dugotrajnog skladištenja provedite cjeloviti servis proizvoda.

Postavljanje proizvoda u položaj za skladištenje



UPOZORENJE: Kako biste spriječili nenamjerno pokretanje tijekom prijevoza i pri sastavljanju, sigurnosni ključ okrenite na 0, uklonite bateriju i pričekajte najmanje 5 sekundi.

1. Uklonite bateriju.
2. Postavite proizvod u položaj za prijevoz. Pogledajte *Postavljanje proizvoda u položaj za prijevoz na stranici 243*.
3. Premjestite proizvod na mjesto skladištenja.

Skladištenje proizvoda na tlu u vodoravnom položaju

1. Postavite proizvod u položaj za skladištenje. Pogledajte *Postavljanje proizvoda u položaj za skladištenje na stranici 243*.
2. Postavite sakupljač trave. Pogledajte *Postavljanje sakupljača trave na stranici 244*.
3. Uskladištite proizvod vodoravno na tlu. (Sl. 48)

Skladištenje proizvoda na tlu u okomitom položaju

1. Postavite proizvod u položaj za skladištenje. Pogledajte *Postavljanje proizvoda u položaj za skladištenje na stranici 243*.
2. Podignite proizvod u točkama za podizanje na ručki i postavite ga okomito na ravnu površinu. (Sl. 49)



UPOZORENJE: Proizvod nemojte podizati prihvaćanjem za rezni poklopac. Nož je vrlo oštar i lako dolazi do posjekotina.

3. Postavite sakupljač trave. Pogledajte *Postavljanje sakupljača trave na stranici 244*.
4. Provjerite je li proizvod stabilan te dodiruju li dvije potporne noge tlo.
5. Uskladištite proizvod okomito na tlu. (Sl. 50)

Skladištenje proizvoda u okomitom položaju na isporučenoj kuki



UPOZORENJE: Proizvod na zid dopušteno objesiti samo na isporučenu kuku.

1. Postavite isporučenu kuku. Pogledajte *Postavljanje kuke na zid na stranici 237*.
2. Postavite proizvod u položaj za skladištenje. Pogledajte *Postavljanje proizvoda u položaj za skladištenje na stranici 243*.
3. Podignite proizvod u točkama za podizanje na ručki. (Sl. 49)



UPOZORENJE: Proizvod nemojte podizati prihvaćanjem za rezni poklopac. Nož je vrlo oštar i lako dolazi do posjekotina.

4. Objesite proizvod okomito na isporučenu kuku. Pogledajte *Postavljanje kuke na zid na stranici 237*. (Sl. 51)
5. Provjerite visi li proizvod ispravno te je li stabilan na dvije šipke na kuki.
6. Postavite sakupljač trave. Pogledajte *Postavljanje sakupljača trave na stranici 244*.

Postavljanje sakupljača trave

1. Pričvrstite sakupljač trave za utor na prednji strani proizvoda. (Sl. 52)
2. Pritišćite donji dio sakupljača trave u točku za podizanje dok je čujete škljocaj. (Sl. 53)

Zbrinjavanje u otpad

Oznake na proizvodu ili ambalaži proizvoda znače da se proizvod ne smije odlagati zajedno s komunalnim otpadom. Umjesto toga, potrebno ga je odnijeti u propisani reciklažni centar za prihvata električne i elektroničke opreme.

Ispravnim rukovanjem proizvodom pomažete u ublažavanju negativnih učinaka po okoliš i osobe do kojih može doći u slučaju pogrešnog upravljanja otpadnim tvarima ovog proizvoda. Pojediniosti o recikliranju proizvoda zatražite od lokalnih tijela uprave, komunalne službe ili u prodavaonici u kojoj ste kupili proizvod.

(Sl. 54)

Samo za državu Europske unije: Sukladno Direktivi 2006/66/EC neispravni ili iskorišteni baterijski kompleti / baterije moraju se prikupiti zasebno i odložiti na ekološki prihvatljiv način.

Samo za Ujedinjeno Kraljevstvo: Sukladno Propisima za odlaganje baterija i akumulatora iz 2009. (Sl. 2009/890) (s izmjenama) baterijski kompleti / baterije koji nisu više uporabljivi moraju se prikupiti zasebno i odložiti na ekološki prihvatljiv način.

Tehnički podaci

Tehnički podaci

| Aspire LC34-P4A | |
|--|---------------------------|
| Rezni motor | |
| Vrsta motora | BLDC (beskontaktni), 18 V |
| Broj okretaja motora – nazivni, o/min | 3000 |
| Broj okretaja motora – veliko opterećenje, o/min | 3500 |
| Snaga motora – maks. kW | 0,7 |
| Snaga motora – nazivna, kW | 0,5 |
| Pogonski motor | |
| Snaga motora – nazivna, kW | Nije primjenjivo |
| Brzina samostalnog hoda, km/h | Nije primjenjivo |
| Razine prilagodbe brzine | Nije primjenjivo |
| Težina | |

| | |
|---|------------------------|
| | Aspire LC34-P4A |
| Težina bez vreće (bez baterije), kg | 11,5 |
| Težina s vrećom (s 1x P4A 18-B72), kg | 13,5 |
| Baterija | |
| Vrsta baterije | Litij-ion |
| Trajanje baterije | |
| Vrijeme rada baterije, min, ⁴¹ | 60 |
| Emisije buke ⁴² | |
| Razina jačine zvuka, mjerena u dB (A) | 86 |
| Razina jačine zvuka, zajamčena L _{WA} dB (A) | 87 |
| Jačina zvuka ⁴³ | |
| Razine tlaka zvuka na uhu rukovatelja, dB (A) | 74 |
| Razine vibracije ⁴⁴ | |
| Ručica, m/s ² | 0,5 |
| Rezna oprema | |
| Visina rezanja, mm | 30 – 65 |
| Širina rezanja, cm | 34. |
| Standardni nož | Combi 5375561-10 |
| Dodatna oprema za nož | Nije primjenjivo |
| Zapremnina sakupljača trave, litre | 30. |

Odobrene baterije

Ovaj proizvod radi sa svim **POWER FOR ALL** baterijama. Za najbolje performanse preporučuje se upotreba baterija od minimalno 4,0 Ah.

| Baterija | P4A 18-B45 | P4A 18-B72 |
|----------------------------|-------------------|-------------------|
| Vrsta | Litij-ion | Litij-ion |
| Kapacitet baterije, Ah | 2,5 | 4,0 |
| Nazivni napon, V | 18 | 18 |
| Težina, kg | 0,35 | 0,65 |
| Broj ćelija (litij-ionske) | 5. | 10 |

⁴¹ (slobodan hod) u standardnom načinu rada, s jednom baterijom tvrtke Husqvarna od 4,0 Ah (P4A 18-B72).

⁴² Emisije buke u okoliš izmjerene kao jačina zvuka (L_{WA}) u skladu s Direktivom EZ 2000/14/EC.

⁴³ Navedeni podaci za razinu tlaka zvuka imaju čimbenik nesigurnosti (K) od 1,5 dB (A).

⁴⁴ Navedeni podaci o razini vibracija imaju čimbenik nesigurnosti (K) od 1,5 m/s². Navedena ukupna vrijednost vibracija izmjerena je u skladu sa standardom EN 62841-4-3, dodatkom I, i može se koristiti za međusobnu usporedbu alata u preliminarnoj procjeni izloženosti.

Odobreni punjači baterije

| Punjač baterije | P4A 18-C70 |
|------------------------|-------------------|
| Ulazni napon, V | 220 – 240 |
| Frekvencija, Hz | 50 – 60 |
| Snaga, W | 70 |

Izjava o sukladnosti

EU izjava o sukladnosti

Mi, **Husqvarna AB**, SE-561 82 Huskvarna, Švedska, tel.: +46-36-146500, pod punom odgovornošću izjavljujemo da proizvod:

| | |
|-----------------------|-----------------------------------|
| Opis | Kosilica |
| Marka | Husqvarna |
| Vrsta/model | Aspire LC34-P4A |
| Identifikacija | Serijski brojevi iz 2022 i noviji |

u potpunosti su sukladni sljedećim EU direktivama i propisima:

| Propis | Opis |
|---------------|---|
| 2006/42/EC | „o strojevima“ |
| 2014/30/EU | „o elektromagnetskoj kompatibilnosti“ |
| 2000/14/EC | „koja se odnosi na emisije buke u okoliš“ |
| 2011/65/EU | „o ograničenoj upotrebi određenih opasnih tvari u električnoj i elektroničkoj opremi“ |

i primjenjuju se sljedeće norme i/ili tehničke specifikacije: EN 62841-1:2015/AC:2015, EN IEC 62841-4-3:2021/A11:2021, EN ISO 12100:2010, EN 55014-1:2021, EN 55014-2:2021, EN IEC 61000-6-2:2019, EN IEC 61000-6-3:2021, EN IEC 63000:2018

Prijavljeno tijelo: 0404, RISE SMP Svensk Maskinprovning AB, Box 4053, SE-904 03 Umeå, Sweden, certificiralo je sukladnost s Direktivom Vijeća 2000/14/EC, postupak kontrole kvalitete: Dodatak VI.

Informacije o emisiji buke potražite u odjeljku *Tehnički podaci na stranici 244*.

Huskvarna, 2022-10-24



Claes Losdal, razvojni menadžer / proizvodi za vrtove, Husqvarna AB

Osoba odgovorna za tehničku dokumentaciju



Autorsko pravo © 2012. – 2020., STMicroelectronics

Jamstvo ne pokriva kvarove koji su rezultat uobičajenog trošenja i habanja, nemara, zlouporabe, neovlaštenog popravka ili priključivanja usisnog aparata na neispravan napon.

Sva prava zadržana.

Redistribucija i upotreba u izvornim i binarnim oblicima, s ili bez izmjena, dopuštene su pod sljedećim uvjetima:

- Redistribucije izvornog koda moraju zadržati prethodnu obavijest o autorskim pravima, ovaj popis uvjeta i sljedeće odricanje od odgovornosti.
- Redistribucije u binarnom obliku u dokumentaciji i/ili drugim materijalima ustupljenima s distribucijom moraju sadržavati prethodnu obavijest o autorskim pravima, ovaj popis uvjeta i sljedeće odricanje od odgovornosti.
- Bez prethodnog posebnog pisanog odobrenja naziv STMicroelectronics ili nazive njihovih suradnika nije dopušteno upotrebljavati za podržavanje ili promoviranje proizvoda izvedenih iz ovog softvera.

OVAJ SOFTVER VLASNICI AUTORSKOG PRAVA I SURADNICI USTUPAJU „KAKAV JEST“ TE SE ODRICU SVIH IZRČITIH ILI PREŠUTNIH JAMSTAVA, KOJA OBUHVAĆAJU, ALI NISU OGRANIČENA NA PREŠUTNA JAMSTVA UTRŽIVOSTI I POGODNOSTI ZA ODREĐENU SVRHU. VLASNIK AUTORSKOG PRAVA ILI SURADNICI NI U KOJEM SLUČAJU NE SNOSE ODGOVORNOST ZA BILO KAKVE IZRAVNE, NEIZRAVNE, SLUČAJNE, PRIMJERNE ILI POSLJEDIČNE ŠTETE (UKLJUČUJUĆI, ALI NE OGRANIČAVAJUĆI SE NA NABAVU ZAMJENSKIH DOBARA ILI USLUGA; NEMOGUĆNOST UPOTREBE, GUBITAK PODATAKA I ZARADE; ILI PREKID POSLOVANJA), BEZ OBZIRA NA UZROK ILI BILO KOJU TEORIJU ODGOVORNOSTI, BILA ONA ZASNOVANA NA UGOVORU, STROGOJ OBVEZI ILI NEDOPUŠTENJOJ ŠTETNOJ RADNJI (UKLJUČUJUĆI NEMAR ILI SLIČNO), KOJA NA BILO KOJI NAČIN PROIZLAZI IZ UPOTREBE OVOG SOFTVERA, ČAK I AKO STE UPOZORENI NA MOGUĆNOST TAKVE ŠTETE.

Licenca za Apache 2.0

Autorsko pravo © 2009. –2019., Arm Limited. Sva prava zadržana.

Verzija 2.0, siječanj 2004., <http://www.apache.org/licenses/>

ODREDBE I UVJETI ZA UPOTREBU, REPRODUKCIJU I DISTRIBUCIJU

1. Definicije.

„Licenca“ su uvjeti i odredbe za upotrebu, reprodukciju i distribuciju definirani u odjeljcima 1 do 9 u ovom dokumentu. „Davatelj licence“ vlasnik je autorskog prava

ili tijelo s ovlaštenjem vlasnika koje ustupa Licencu. „Pravno tijelo“ zajednica je izvršnih tijela i svih drugih tijela koja upravljaju, kojima upravlja ili koja su pod zajedničkom kontrolom tog tijela. Za potrebe ove definicije, „kontrola“ je (i) moć, izravna ili neizravna, usmjeravanja ili upravljanja takvih tijelom, ugovorna ili ostvarena na drugi način ili (ii) vlasništvo pedeset posto (50 %) ili više dionica u optjecaju ili (iii) stvarno vlasništvo takvog tijela. „Vi“ (ili „Vaš“) pojedinac je ili Pravno tijelo koje ostvaruje privilegije ustupljene ovom Licencom. „Izvorni“ oblik preferirani je oblik izmjenjivanja, koji obuhvaća, ali nije ograničen na izvorni kod softvera, izvor dokumentacije i konfiguracijske datoteke. „Objekt“ je bilo koji oblik nastao mehaničkom preobrazbom ili prijevodom Izvornog oblika, koji obuhvaća, ali nije ograničen na prevedeni kod objekta, izrađenu dokumentaciju te razmjene s drugim vrstama medija. „Djelo“ je autorsko djelo, u Izvornom obliku ili kao Objekt, izrađeno pod ovom Licencom, kako je navedeno u obavijesti o autorskom pravu uvrštenom u djelo ili priloženom djelu (za primjer je ustupljen Dodatak u nastavku). „Izvedena djela“ svako su djelo, u Izvornom obliku ili kao Objekt, utemeljeno na Djelu (ili izvedeno iz njega), za koje uredničke recenzije, primjedbe, razrade ili druge izmjene, u cjelini, predstavljaju originalno autorsko djelo. Za potrebe ove Licence, Izvedeni radovi ne sadržavaju radove koji ostaju u zasebnom obliku ili se samo povezuju (ili su povezani nazivom) s njegovim sučeljem, Djelom i iz njega Izvedenim radovima. „Doprinos“ je bilo koje autorsko djelo, uključujući izvornu verziju Djela i sve izmjene ili dodatke Djelu, ili iz njih Izvedena djela, koje je vlasnik autorskog prava, pojedinac ili Pravno tijelo ovlašteno za slanje u ime vlasnika autorskog prava namjerno poslao Davatelju licence radi uvrštenja u Djelo. Za potrebe ove definicije, s „poslano“ označava se svaki oblik elektroničke, verbalne ili pisane komunikacije poslana Davatelju licence ili njegovim predstavnicima, što obuhvaća, ali nije ograničeno na komunikaciju putem popisa elektroničke pošte, upravljačkih sustava izvornog koda te sustava za praćenje problema, kojima upravlja ili kojima se upravlja u ime Davatelja licence, u svrhu raspravljivanja o Djelu i njegovog poboljšanja, no bez komunikacije koju je vlasnik autorskog prava uočljivo označio ili drugim pisanim putem okarakterizirao kao „Nije doprinos“. „Suradnik“ je Davatelj licence i svaki pojedinac ili Pravno tijelo u čije je ime Davatelj licence primio Doprinos te ga potom uvrstio u Djelo.

2. Ustupanje licence za autorska prava.

Podložno uvjetima i odredbama iz ove Licence, svaki Suradnik ovim Vam ustupa trajnu, globalnu, neekskluzivnu, besplatnu, nenaplativu, neopozivu licencu za autorska prava za reprodukciju, pripremu Izvedenih djela, javno objavljivanje, javno izvođenje, podlicenciranje i distribuciju Djela i takvih Izvedenih djela u obliku Izvora ili Objekta.

3. Ustupanje licence za patent.

Podložno uvjetima i odredbama iz ove Licence, svaki Suradnik ovim Vam ustupa trajnu, globalnu, neekskluzivnu, besplatnu, nenaplativu, neopozivu (osim sukladno navedenom u ovom odjeljku) licencu za patent za izradu, zadavanje izrade, upotrebu, ponudu za prodaju, prodaju, uvoz i druge prijenose Djela, pri čemu se licenca primjenjuje samo na ona patentna potraživanja koje takav Suradnik može licencirati, a koja nužno povređuju sami njihovi Doprinosi ili kombinacija Doprinosa Djelu za koja su takvi Doprinosi poslani.

Ako pokrenete patentnu parnicu protiv bilo kojeg tijela (uključujući međusobna potraživanja ili protutužbu u parnici) tvrdeći da Djelo ili Doprinos koji sadrži Djelo predstavlja izravnu ili doprinosnu povredu patenta, patentne licence koje su Vam Licencom ustupljene za to Djelo ukidaju se na datum pokretanja takve parnice.

4. Redistribucija.

Kopije Djela ili iz njega Izvedenih djela možete reproducirati i distribuirati na bilo kojem mediju, s ili bez izmjena te u Izvornom obliku ili kao Objekt, kada ispunjavate sljedeće uvjete:

- Svim drugim primateljima Djela ili Izvedenog djela morate predati kopiju ove Licence; i
- Sve izmijenjene datoteke moraju imati uočljive obavijesti o tome da ste ih promijenili; i, u Izvornom obliku svakog Izvedenog djela koje distribuirate, – morate zadržati sve obavijesti o autorskim pravima, patentima, robnim markama i dodjelama iz Izvornog oblika Djela, osim obavijesti koje se ne odnose na bilo koji dio Izvedenih djela; i
- Ako distribucija Djela obuhvaća tekstnu datoteku „OBAVIJEST“, sva Izvedena djela koje distribuirate moraju sadržavati čitljivu kopiju obavijesti o dodjeljivanju u takvoj datoteci OBAVIJEST, osim obavijesti koje se ne odnose na bilo koji dio Izvedenih djela, na barem jednoj od sljedećih lokacija: u tekstnoj datoteci OBAVIJEST koja se distribuira kao dio Izvedenih djela; u Izvornom obliku ili dokumentaciji, ako se prilaže Izvedenim djelima; ili u prikazu koji izrađuju Izvedena djela, ako i kada se prikazuju takve obavijesti trećih strana. Sadržaji datoteke OBAVIJEST samo su obavijesni i ne izmjenjuju Licencu. U Izvedena djela koja distribuirate možete dodati vlastite obavijesti o dodjeljivanju, uz OBAVIJEST iz Djela ili kao dodatak njenom tekstu, pod uvjetom da se takve dodatne obavijesti o dodjeljivanju mogu protumačiti kao izmjena Licence. Svojim izmjenama ili bilo kojim Izvedenim djelima u cjelini možete dodati vlastitu izjavu o autorskim pravima te zadati dodatne ili različite licencne uvjete i odredbe za upotrebu, reprodukciju ili distribuciju Vaših izmjena, pod uvjetom da su Vaša upotreba, reprodukcija i distribucija Djela inače u skladu s uvjetima propisanim ovom Licencom.

5. Slanje Doprinosa.

Osim ako izričito ne navedete drugačije, svaki Doprinos koji Davatelju licence namjerno pošaljete za uključivanje u Djelo moraju ispunjavati uvjete i odredbe ove Licence, bez ikakvih dodatnih uvjeta i odredbi. Bez obzira na prethodno navedeno, ništa ovdje ne zamjenjuje ili izmjenjuje uvjete bilo kojeg zasebnog licencnog ugovora koji ste o takvim Doprinosima izvršili s Davateljem licence.

6. Zaštitni znakovi.

Ovom Licencom ne ustupa se dopuštenje za upotrebu trgovačkih naziva, zaštitnih znakova, servisnih znakova ili naziva proizvoda Davatelja licence, osim za potrebe razumne i uobičajene upotrebe u opisanju porijekla Djela i reprodukciji datoteke OBAVIJEST.

7. Odricanje jamstva.

Osim kada to zahtjeva primjenjivi zakon ili uz pisanu suglasnost, Davatelj licence ustupa Djelo (a svaki Suradnik ustupa svoje doprinose) „KAKVO JEST“, BEZ IKAKVIH JAMSTAVA ILI UVJETA, izričitih ili prešutnih, uključujući, ali Ne ograničavajući se na bilo koje jamstvo ili uvjete za NAZIV, NEPOVREDIVOST, UTRŽIVOST ili PRIKLADNOST ZA POJEDINU SVRHU. Nosite isključivu odgovornost za utvrđivanje prikladnosti upotrebe i redistribucije Djela te preuzimate sve rizike povezane s Vašim korištenjem dopuštenja iz ove Licence. 8. Ograničenje od odgovornosti. Suradnik ni pod kojim uvjetima i ni po kojoj pravnoj teoriji, bilo zbog nedopuštene štetne radnje (uključujući nemar), po ugovoru ili na neki drugi način, osim ako to ne zahtjeva primjenjivi zakon (primjerice za namjerne i izrazito nemarne radnje) ili postoji pisani pristanak, prema Vama ne snosi odgovornost za štete, uključujući sve izravne, neizravne, posebne, slučajne ili posljedične štete bilo koje vrste, a koje su nastale kao rezultat Licence, upotrebom ili nemogućnošću upotrebe Djela (uključujući, ali ne ograničavajući se na štete zbog gubitka dobre volje, zastoja u radu, kvara ili neispravnosti računala te sve druge komercijalne gubitke ili štete), čak i ako je taj Suradnik bio upozoren na vjerojatnost takvih šteta.

9. Prihvaćanje jamstva ili dodatne odgovornosti.

Tijekom redistribucije Djela ili Izvedenih djela iz njega možete odabrati ponuditi prihvaćanje potpore, jamstvo, naknadu ili druge obvezujuće obveze i/ili prava sukladno s ovom Licencom te naplaćivati naknadu. Međutim, po prihvaćanju takvih obveza možete djelovati samo u vlastito ime i na vlastitu odgovornost, ne i u ime bilo kojeg drugog Suradnika, i samo ako pristanete na obeštećenje, zaštitu i osiguranje svakog drugog Suradnika od svake odgovornosti koje su se pojavile te svih zahtjeva koji su nametnuti takvom Suradniku zbog prihvaćanja bilo kojeg jamstva ili dodatne odgovornosti. ZAVRŠETAK UVJETA I ODREDBI

Registrirani zaštitni znakovi

QR kod registrirani je zaštitni znak tvrtke DENSO WAVE
INCORPORATED u Japanu.

TARTALOMJEGYZÉK

| | | | |
|--------------------|-----|--|-----|
| Bevezető..... | 251 | Szállítás, tárolás és ártalmatlanítás..... | 265 |
| Biztonság..... | 252 | Műszaki adatok..... | 267 |
| Összeszerelés..... | 258 | Megfelelőségi nyilatkozat..... | 270 |
| Üzemeltetés..... | 259 | Licenc..... | 271 |
| Karbantartás..... | 261 | Bejegyzett védjegyek..... | 273 |
| Hibaelhárítás..... | 263 | | |

Bevezető

Termékleírás

A termék egy gyalog kísért forgóképes fűnyíró. A fű egy fűgyűjtőben kerül gyűjtésre. Vegye ki a fűgyűjtőt a fű hátsó ürítéséhez. Csatlakoztasson egy mulcsozó dugót a fű trágyázásra való vágásához.

Rendeltetésszerű használat

A termék fűnyírásra szolgál. Ne használja a terméket egyéb feladatokra.

Gyors útmutató

Olvassa be a QR-kódot a termék használatával kapcsolatos tanácsokért.



A termék áttekintése

(ábra 1)

1. Motorfékfogantyú
2. Indításgátló
3. Fogantyú
4. A fogantyú zárógombja
5. Fogantyúgombok
6. Fűgyűjtő
7. Mulcsozó dugó
8. Hátsó burkolat
9. LED a terméken
10. Figyelmeztetésjelző (hibajelző LED)
11. Biztonsági kulcs
12. Akkumulátorrekesz
13. Akkumulátorfedél
14. Szimbólumok
15. Vágási magasságot szabályozó kar

16. Akkumulátor (tartozék)
17. Akkumulátortöltő (tartozék)
18. Piros LED
19. Zöld LED
20. Emelőpontok
21. Kampó
22. Kezelői kézikönyv

A terméken található jelzések

(ábra 2) FIGYELMEZTETÉS

(ábra 3) Olvassa el az utasításokat.

(ábra 4) VIGYÁZAT – Ügyeljen az esetlegesen kirepülő tárgyakra.

- (ábra 5) Tartsa távol a nézelődőket.
- (ábra 6) VIGYÁZAT – Tartsa távol a kezét és a lábát a késektől.
- (ábra 7) VIGYÁZAT – Karbantartás előtt válassza le az akkumulátort.
- (ábra 8) A termék és a termék csomagolása nem minősül háztartási hulladéknak. Újrahasznosítását egy elektromos és elektronikus berendezések újrahasznosítására szolgáló ponton kell elvégezni.
- (ábra 9) Az EU és az Egyesült Királyság irányelveinek és jogszabályainak, és New South Wales „Környezetben történő munkavégzés szabályozása (zajszabályozás), 2017” irányelvének megfelelő környezeti zajkibocsátási címke. A termék garantált hangteljesítményszintjére vonatkozó adatok megtalálhatók az alábbi részen: *Műszaki adatok267. oldalon* és a címkén.
- (ábra 10) Ez a tartozék megfelel a vonatkozó EK irányelveknek.
- (ábra 11) A termék megfelel a vonatkozó egyesült királyságbeli irányelveknek.
- (ábra 12) A termék cseppálló.
- (ábra 13) A leállításához engedje el a motorfékfogantyút.
- (ábra 14) Nyomja a motorfékfogantyút a kések meghajtásának elindításához.
- (ábra 15) Beolvasható kód.
- (ábra 18) Fordítsa el a lezárás-hoz vagy a feloldáshoz.

Szimbólumok az akkumulátoron, illetve az akkumulátortöltőn

- (ábra 19) A termék újrahasznosítását elektromos és elektronikus berendezések újrahasznosítására szolgáló ponton kell elvégezni. (Kizárólag Európára vonatkozik)
- (ábra 20) Az akkumulátort csak a POWER FOR ALL rendszer partnereinek termékeiben használja.
- (ábra 21) Védje az akkumulátort a hőtől, pl. a folyamatos intenzív napsugárzástól, tűztől, szennyeződéstől, víztől és nedveségtől. Robbanás és rövidzárlat veszélye áll fenn.
- (ábra 22)
- (ábra 16) Az akkumulátortöltőt kizárólag beltérben szabad használni és tárolni.
- (ábra 17) Kettős szigetelés.

Jelzés a terméken

- (ábra 23) VESZÉLY – Tartsa távol a kezét és a lábát.

Termékszavatosság

A termékszavatosságra vonatkozó jogszabályok értelmében nem vagyunk felelősek a termékeink által okozott károkért az alábbi esetekben:

- a termék javítását helytelenül végezték;
- a termék javítása nem a gyártótól származó vagy általa jóváhagyott alkatrészekkel történt;
- a terméket nem a gyártótól származó vagy általa jóváhagyott kiegészítővel szerelték fel;
- a termék javítását nem hivatalos szakszerviz vagy jóváhagyott egyéb szerviz végezte.

Megjegyzés: A terméken szereplő többi jel/címke egyes piacok specifikus vizsgáztatási követelményeire vonatkozik.

Biztonság

Biztonsági meghatározások

A figyelmeztetések, óvintézkedések és megjegyzések a használati utasítás kiemelten fontos részeire hívják fel a figyelmet.



FIGYELMEZTETÉS: Akkor használatos, ha a kézikönyv utasításainak be nem tartása esetén fennáll a kezelő vagy

a közelben tartózkodók sérülésének vagy halálának veszélye.



VIGYÁZAT: Akkor használatos, ha a kézikönyv utasításainak be nem tartása esetén fennáll a vagyoni kár, illetve a termék vagy a környező terület károsodásának veszélye.

Megjegyzés: További információt biztosít az adott helyzetben szükséges tennivalókról.

Általános termékbiztonsági figyelmeztetések



FIGYELMEZTETÉS: Olvassa el a jelen termékre vonatkozó összes biztonsági utasítást, útmutatást, ábrát és specifikációt. A az alább felsorolt utasítások figyelmen kívül hagyása áramütést, tüzet és/vagy komoly sérülést okozhat.

Tegyen el minden figyelmeztetést és utasítást, mert a jövőben szüksége lehet rájuk. A „termék” kifejezés a figyelmeztetésekben a hálózatról működő (vezetékes) termékre vagy az akkumulátorról (vezeték nélküli) működő termékre vonatkozik.

A munkaterület biztonsága

- **Tartsa a munkaterületet tisztán és világítsa meg jól.** A zsúfolt vagy sötét területeken könnyen bekövetkeznek balesetek.
- **Ne működtesse a terméket robbanásveszélyes környezetben, pl. gyúlékony folyadékok, gázok vagy por jelenlétében.** A termék szikrát vethet, amely begyújthatja a port vagy a kipárolgást.
- **Tartsa távol a gyermekeket és a szemlélődőket a termék működtetése közben.** A figyelem elvonása miatt elvesztheti az uralmát a szerszám felett.

Elektromos biztonság

- **A termék dugaszának illeszkednie kell az aljzatba.** A dugón soha semmilyen átalakítást ne végezzen. Ne használjon adaptercsatlakozót a földelt termékekhez. Kisebb az áramütés veszélye, ha eredeti dugókat és hozzájuk illő aljzatokat használ.
- **Kerülje el a földelt felületekkel, pl. csövekkel, radiátorokkal, tűzhelyekkel és hűtőszekrényekkel való érintkezést.** Megnövekszik az áramütés veszélye, ha a teste le van földelve.
- **Ne tegye ki a termékeket esőnek vagy nedves környezetnek.** A termékebe jutó víz növeli az áramütés kockázatát.
- **Ne bányon durván a kábellel.** A kábelt ne használja a termék hordozására, húzására vagy a dugasz kihúzására. Tartsa távol a kábelt hőtől, olajtól, éles

szélektől vagy mozgó alkatrészeiktől. A sérült vagy összegabalyodott kábelek megnövelik az áramütés kockázatát.

- **Ha kültérben használja a terméket, használjon kültéri használatra megfelelő hosszabbítókábelét.** A kültéri alkalmazáshoz megfelelő hosszabbító használata csökkenti az áramütés veszélyét.
- **Ha a termék feltétlenül nedves helyen kell használni, alkalmazzon életvédelmi relével (RCD) védett tápellátást.** RCD használatával csökkenthető az áramütés kockázata.

Személyes biztonság

- **Legyen elővigyázatos, figyeljen arra, amit csinál, és használja a józan esztét a termék működtetése során.** Ne használja a terméket, ha fáradt, illetve ha gyógyszer, gyógykezelés vagy alkohol hatása alatt áll. A termékek működése közben egy pillanatra figyelemkiesés is súlyos személyi sérülést okozhat.
- **Használjon személyi védőfelszerelést. Mindig használjon szemvédőt.** A megfelelő környezetben a védőfelszerelések, például a pormaszk, a csúszásgátló védőcipő, a kemény fejdő és a fülvédő használata csökkenti a személyi sérülések kockázatát.
- **Akadályozza meg a véletlen indítást. Ellenőrizze, hogy a bekapcsoló gomb kikapcsolt állásban van-e, mielőtt csatlakoztatja az áramforrást és/vagy az akkumulátort, illetve felveszi vagy szállítja a terméket.** Balesetet okozhat, ha a terméket úgy viszi, hogy az ujjá a kapcsolón van, vagy ha a bekapcsolt terméket áram alá helyezi.
- **Távolítson el minden beállító kulcsot vagy csavarkulcsot, mielőtt bekapcsolná a terméket.** A termék forgó alkatrészéhez csatlakozó kulcs vagy más szerszám személyi sérülést okozhat.
- **Ne nyújtózkodjon a termékkel. Mindig szilárdan álljon a talajon, és őrizze meg az egyensúlyát.** Így jobban uralhatja a terméket váratlan helyzetekben.
- **Öltözködjön megfelelően. Ne viseljen ékszereket, rövidnadrágot, szandált, illetve ne legyen meztőláb.** Tartsa távol a haját és ruházatát a mozgó alkatrészekről. A mozgó alkatrészek bekapathatják a laza ruhát, az ékszert vagy a hosszú haját.
- **Ha a készülékhez csatlakoztatható porgyűjtő berendezés, mindig csatlakoztassa és használja azt.** A porgyűjtő alkalmazása csökkenti a porral kapcsolatos veszélyeket.
- **A termékek rendszeres használatából adódó tapasztalata ne vezessen oda, hogy a termékeket könnyelműen, a szerszám-biztonsági alapelvek figyelmen kívül hagyásával működteti.** Egy gondatlanul kivitelezett művelet akár egy századmásodperc alatt is súlyos sérüléshez vezethet.

A termék használata és karbantartása

- **Ne terhelje túl a terméket. Használja a feladathoz megfelelő terméket.** A megfelelő termék jobb

és biztonságosabb munkát fog végezni azon a sebességen, amire tervezték.

- **Ne használja a terméket, ha a kapcsoló nem kapcsolja ki vagy be.** A kapcsolóval nem vezérelhető termékek veszélyesek és javításra szorulnak.
- **Húzza ki a dugaszt az áramforrásból és/vagy vegye ki az akkumulátort (amennyiben kivethető), ha bármilyen beállítást végez, kicserél egy tartozékot vagy tárolja a termékeket.** Az ilyen megelőző biztonsági intézkedések csökkentik a termék véletlen elindításának veszélyét.
- **A nem használt termékeket tartsa távol a gyerekektől, és ne engedje, hogy olyan személyek működtessék, akik nem ismerik a terméket és ezeket az utasításokat.** A termékek képzetlen felhasználók kezében veszélyt jelentenek.
- **Végezze el a termékek és a tartozékok karbantartását.** Ellenőrizze, hogy a mozgó alkatrészek helyükön vannak-e, nem szorulnak-e, nem törtek-e le részek, illetve nem áll-e fenn más olyan állapot, amely befolyásolhatja a termék működését. Ha sérült, a használat előtt javíttassa meg a terméket. Sok balesetet rosszul karbantartott termékek okoznak.
- **Tartsa élesen és tisztán a vágószerszámokat.** A megfelelően karbantartott, éles vágószerszámok kevésbé hajlamosak a beszorulásra, és könnyebb kezelni őket.
- **A terméket, a kiegészítőket és az alkatrészeket stb. ezen utasításokkal összhangban használja, vegye figyelembe a munkakörülményeket és az elvégzendő feladatot.** Ha a terméket nem a rendeltetésének megfelelően használják, veszélyes helyzet állhat elő.
- **A fogantyúkat és fogófelületeket tartsa szárazon, tisztán, olaj- és zsímentesen.** A csúszós fogantyúk és fogófelületek nem teszik lehetővé a termék biztonságos kezelését és irányítását váratlan helyzetekben.

Az akkumulátor használata és karbantartása

- **Csak a gyártó által meghatározott töltővel töltsé.** Az a töltő, amelyik az egyik típusú akkumulátorhoz használható, tűzveszélyes lehet, ha másik típusú akkumulátorral használják.
- **A termékeket csak a típusuknak megfelelő akkumulátorokkal használja.** Bármilyen más típusú akkumulátor használata sérülés- és tűzveszélyes.
- **Amikor az akkumulátort nem használja, tartsa távol más fémtárgyaktól, például gémkapcsoktól, érméktől, kulcsoktól, tűktől, csavaroktól vagy más kisebb fémtárgyaktól, amelyek összekapcsolhatják a sarukat.** Az akkumulátorsaruk rövidre zárása égést vagy tüzet okozhat.
- **Nem megfelelő körülmények hatására az akkumulátorból folyadék szivároghat ki.** Kerülje az érintkezést. Ha ez véletlenül mégis megtörténik, öblítse le vízzel. Ha a folyadék szembe kerül, forduljon orvoshoz. Az akkumulátorból távozó folyadék irritációt vagy égési sérülést okozhat.

- **Ne használjon sérült vagy módosított akkumulátort vagy szerszámot.** A sérült vagy módosított akkumulátorok kiszámíthatatlanul viselkedhetnek, ami tüzet, robbanást vagy sérülést okozhat.
- **Az akkumulátort vagy szerszámot ne tegye ki tűznek vagy túl magas hőmérsékletnek.** A tűznek való kitettség, illetve a 130 °C/265 °F feletti hőmérséklet robbanást okozhat.
- **Kövesse a töltésre vonatkozó utasításokat, és ne töltsé az akkumulátort vagy a szerszámot az utasításokban megadott hőmérséklet-tartományon kívül.** A nem megfelelő, illetve a megadott tartományon kívül eső hőmérsékleten való töltés károsíthatja az akkumulátort és növeli a tűzveszélyt.

Szolgáltatás

- **A termék szervizelését képzett szerelővel végeztesse el, aki kizárólag eredeti cserealkatrészeket használ.** Ez biztosítja, hogy a termék továbbra is biztonságos maradjon.
- **Soha ne szervizelje a sérült akkumulátort.** Az akkumulátor szervizelését csak a gyártó vagy egy hivatalos szolgáltató végezheti el.

A fűnyírógépre vonatkozó biztonsági figyelmeztetések

- **Rossz időjárási körülmények között – főleg villámlás veszélye esetén – ne használja a fűnyírógépet.** Ez csökkenti a villámcsapás veszélyét.
- **Alaposan vizsgálja meg vadvilág szempontjából azt a területet, ahol a fűnyírógépet használni kívánja.** A vadon élő állatok megsérülhetnek a fűnyírógép működése közben.
- **Alaposan vizsgálja át a területet, ahol a fűnyírógépet használni kívánja, és távolítsa el minden követ, botot, drótot, csontot és egyéb idegen tárgyat.** A felcsapódó tárgyak súlyos személyi sérülést okozhatnak.
- **A fűnyírógép használata előtt mindig ellenőrizze szemrevételezéssel, hogy a kés és a vágószerkezet nem kopott-e vagy sérült-e.** A kopott vagy sérült alkatrészek növelik a sérülésveszélyt.
- **Rendszeresen ellenőrizze, hogy nem észlelhető-e kopás vagy minőségromlás a fűgyűjtőn.** A kopott vagy sérült fűgyűjtő növelheti a személyi sérülés kockázatát.
- **Tartsa a védőburkolatokat a helyükön.** A védőburkolatoknak működőképesnek kell lenniük, és megfelelően kell felszerelni őket. A meglazult, sérült vagy nem megfelelően funkcionáló védőburkolat személyi sérülést okozhat.
- **Minden hűtőlevegő bemeneti nyílást tartson tömlelékektől mentesen.** Az eltömődött levegőbemeneti nyílások és a tömlelék túlmelegedést vagy tűzveszélyt okozhatnak.
- **A fűnyírógép működtetése közben mindig viseljen csúszásmentes munkavédelmi lábbelit. Ne használja a fűnyírógépet mezítláb vagy nyitott szandálban.**

- Éz csökkenti a mozgó késsel való érintkezés miatti lábsérülés kockázatát.
- **A fűnyírógép használata közben mindig viseljen hosszú nadrágot.** A szabadon hagyott bőrfelületek növelik a repülő tárgyak okozta sérülés valószínűségét.
 - **Ne működtesse a fűnyírógépet nedves fűvön. Sétáljon, soha ne fusson.** Ez csökkenti ez esetleges személyi sérüléshez vezető elcsúszás vagy elesés kockázatát.
 - **Ne üzemeltesse a fűnyírógépet túlságosan meredek lejtőkön.** Ez csökkenti ez esetleges személyi sérüléshez vezető irányításvésztes, elcsúszás vagy elesés kockázatát.
 - **Ha lejtőn dolgozik, mindig ügyeljen arra, hogy stabilan áll, mindig a lejtőn keresztben dolgozzon, soha ne felfelé vagy lefelé, és irányváltáskor legyen rendkívül óvatos.** Ez csökkenti ez esetleges személyi sérüléshez vezető irányításvésztes, elcsúszás vagy elesés kockázatát.
 - **Legyen különösen körültekintő, ha a fűnyírógépet maga felé húzza, vagy hátrafelé halad. Mindig figyeljen oda a környezetére.** Ez csökkenti a használat közbeni megbotlás kockázatát.
 - **Ne érintse meg a késeket és más veszélyes mozgó alkatrészeket, amíg azok mozgásban vannak.** Ez csökkenti a mozgó alkatrészek okozta sérülések kockázatát.
 - **A beragadt anyagok eltávolításakor és a fűnyírógép tisztításakor győződjön meg arról, hogy minden főkapcsoló ki van-e kapcsolva, és a tápkábel le van-e választva.** A fűnyíró váratlan bekapcsolódása súlyos személyi sérülést okozhat.

Életvédelmi relé

- Használjon egy legfeljebb 30 mA-es kioldóáramra be szabályozott életvédelmi relét.

Általános biztonsági utasítások



FIGYELMEZTETÉS: A termék használata előtt olvassa el az alábbi figyelmeztetéseket.

- Éz a termék veszélyes, ha helytelenül használja, vagy ha nem vigyáz. A biztonsági utasítások be nem tartása sérüléssel vagy halállal járhat.
- A termék működés közben elektromágneses mezőt hoz létre. Éz bizonyos körülmények esetén hatással lehet az aktív vagy passzív orvosi implantátumokra. A súlyos vagy halálos sérülés kockázatának csökkentése érdekében azt javasoljuk, hogy az orvosi implantátumot használó személyek a termék alkalmazása előtt kérjék ki orvosuk vagy az orvosi implantátum gyártójának tanácsát.
- Mindig megfontoltan és előrelátóan cselekedjen. Ha nem biztos benne, hogyan kell a terméket speciális helyzetben üzemeltetni, akkor hagyja abba a tevékenységet, és beszéljen a Husqvarna kereskedőjével a folytatás előtt.
- Ne feledje, hogy a kezelő felelős a másokat és a mások tulajdonát érő balesetekért is.
- Tartsa tisztán a terméket. Ügyeljen arra, hogy a jelek és címkék jól olvashatóak legyenek.
- Soha ne engedje, hogy gyermekék vagy a kezelési utasításokat nem ismerő személyek használják a készüléket. A helyi rendelkezések adott esetben kezelési korhatárt szabhatnak meg.
- Csökkent fizikai vagy szellemi képességekkel rendelkező személy csak felügyelet mellett használhatja a terméket. Egy felelős felnőttnek mindig jelen kell lennie.
- Ne használja a terméket, ha fáradt, beteg, illetve alkohol, drog vagy gyógyszer hatása alatt áll. Éz negatív hatással van a látására, az éberségére, a koordinációjára és az ítéletképességére.
- Ne használja a terméket, ha hibás.
- Ne változtassa meg a terméket, vagy ne használja, ha feltehetőleg valaki más változtatásokat hajtott végre rajta.
- Ézt a terméket kizárólag fűves pázsitok nyírására használja. A termék más feladatokra történő használata nem megengedett.
- Használjon személyi védőfelszerelést. Lásd: *Személyi védőfelszerelés256. oldalon.*
- Mindenképpen legyen tisztában azzal, hogy vész helyzet esetén hogyan kell gyorsan leállítani a motort.
- Ne működtesse a terméket esős vagy nedves körülmények között. A termékbe jutó víz növeli az áramütés kockázatát.
- Ne használja a készüléket, hacsak a kés és az összes borítás nincs megfelelően rögzítve. A nem megfelelően rögzített kés kilazulhat, és személyi sérülést okozhat.
- Ügyeljen arra, hogy a kés ne ütközzön olyan tárgyakra, mint például kővek és gyökerek. Éz kárt tehet a késben, és meghajlíthatja a motor tengelyt. A meghajlott tengely erős rezgést okoz, és így nagyon nagy a kockázata annak, hogy a kés meglazul.
- Ha a kés valamilyen tárgynak ütközik vagy rezegni kezd, azonnal állítsa le a terméket. Állítsa le a motort, fordítsa a biztonsági kulcsot „0” állásba, és vegye ki az akkumulátort. Várjon, amíg a mozgó alkatrészek megállnak. Ellenőrizze, hogy a termék sérülésmentes-e. Szorítsa meg a laza alkatrészeket. Javítsa meg a sérüléseket, és cserélje ki a sérült alkatrészeket. Bízva hivatalos szervizműhelyre a javítást.
- Amikor a motor működésben van, soha ne rögzítse tartósan a motorfékfogantyút a fogantyúhoz.

Munkabiztonság



FIGYELMEZTETÉS: A termék használata előtt olvassa el az alábbi figyelmeztetéseket.

- Helyezze a terméket stabil, vízszintes felületre, és kapcsolja be. Gondoskodjon arról, hogy a kés ne ütközzön se a talajba, se egyéb tárgyakra.
- Mindig maradjon a termék mögött, amikor működteti.
- A termék üzemeltetése során minden kerék legyen a talajon, és tartsa két kézzel a fogantyút. Tartsa távol kezét és lábát a forgó késektől.
- Ne döntse meg a terméket a motor indításakor vagy a termék működése közben.
- Legyen óvatos, amikor hátrafelé húzza a terméket.
- Soha ne emelje fel a terméket, ha a motor jár. Ha mindenképpen fel kell emelnie a terméket, először állítsa le a motort, a biztonsági kulcsot fordítsa „0” állásba, és vegye ki az akkumulátort.
- Ne sétáljon hátrafelé a termék működtetése során.
- Állítsa le a motort, ha a terméket szállításhoz meg kell döntenie, vagy mielőtt olyan területeken haladna át, ahol nincs fű, például kavicsos, kövezett és aszfaltozott járdák.
- Ne fusson a termékkel, ha a motor jár. Mindig sétáljon a termék működtetése során.
- Mielőtt megváltoztatná a vágási magasságot, állítsa le a motort. Soha ne végezzen beállításokat, amikor a motor jár.
- Soha ne hagyja a terméket felügyelet nélkül járó motor esetén. Állítsa le a motort és győződjön meg arról, hogy a vágószerkezet nem forog.
- A termék működés közbeni rezgései eltérhetnek az itt megadott rezgésértékektől: *Műszaki adatok 267. oldalon*. Az eltérést a termék eltérő használati módja okozza. Ha a terméket gyakran vagy hosszú ideig használja, a rezgések okozta sérülések elkerülése érdekében rendszeresen tartson szünetet.

Biztonsági utasítások az üzemeltetéshez

Személyi védőfelszerelés



FIGYELMEZTETÉS: A termék használata előtt olvassa el az alábbi figyelmeztetéseket.

- A személyi védőfelszerelés nem küszöböli ki teljes mértékben a sérülés kockázatát, de csökkenti a sérülés mértékét, ha bekövetkezik a baleset. A megfelelő felszerelés kiválasztásában kérje a kereskedő segítségét.
- Használjon nagy teherbírású, csúszásmentes bakancsot vagy cipőt. Ne használja nyitott cipőben vagy mezítláb a terméket.
- Viseljen vastag, hosszú szárú nadrágot.
- Viseljen védőkesztyűt, például a vágószerkezet felhelyezésekor, ellenőrzésekor vagy tisztításakor.
- Javasoljuk, hogy használjon hallásvédőt.

Biztonsági eszközök a terméken



FIGYELMEZTETÉS: A termék használata előtt olvassa el az alábbi figyelmeztetéseket.

- Ne használjon olyan terméket, amelynek hibásak a biztonsági eszközei.
- Ne távolítsa el és ne végezzen módosításokat a biztonsági eszközökön.
- Rendszeresen ellenőrizze a biztonsági eszközöket. A biztonsági eszközök meghibásodása esetén vegye fel a kapcsolatot a Husqvarna szervizműhellyel.

A vágóburkolat ellenőrzése

A vágóburkolat csökkenti a termék rezgését és a kés okozta sérülések kockázatát.

- Vizsgálja meg a vágóburkolatot, hogy nincs rajta sérülés, például repedés.

A biztonsági kulcs ellenőrzése

A biztonsági kulcs az akkumulátorfedél alatt helyezkedik el. A biztonsági kulcs csatlakoztatja a motort ellátó akkumulátort.

- A biztonsági kulcs ellenőrzéséhez indítsa be, majd állítsa le a motort.
- Ha a biztonsági kulcs megfelelően működik, a motor csak akkor indítható be, ha a biztonsági kulcs az „1” állásba van fordítva. (ábra 24)

A motorfékfogantyú ellenőrzése

A motorfékfogantyú a motor leállítására szolgál. Ha elengedi a motorfékfogantyút, a motor leáll.

- Indítsa be a terméket. Lásd: *A termék elindítása 261. oldalon*.
- Engedje el a motorfékfogantyút. (ábra 25)
- Ügyeljen arra, hogy a termék megálljon. Ha a motor 3 másodpercen belül nem áll le, állíttassa be egy hivatalos Husqvarna szakszervizben a motorféket.

Az indításgátló ellenőrzése

Bizonyosodjon meg arról, hogy az indításgátló megakadályozza a motor elindulását.

1. Nyomja a motorfékfogantyút a fogantyú irányába. Az indításgátló megakadályozza a mozgást.
2. Nyomja kifelé az indításgátlót. (ábra 26)
3. Engedje ki az indításgátlót, és győződjön meg arról, hogy az visszatér alaphelyzetbe.

Az akkumulátorral kapcsolatos biztonsági előírások



FIGYELMEZTETÉS: Olvassa el az összes biztonsági és általános utasítást. A biztonsági és általános utasítások figyelmen kívül hagyása áramütést, tüzet

és/vagy komoly sérülést okozhat. **Őrizze meg az összes biztonsági információt és általános utasítást a későbbi használatra.**

- **Ezek a biztonsági utasítások csak a POWER FOR ALL rendszer 18 V-os Li-Ion akkumulátoraira vonatkoznak.**
- **Az újratölthető akkumulátort csak a POWER FOR ALL rendszer partnereinek termékeiben használja.** Az olyan 18 V-os akkumulátorok, amelyeken a POWER FOR ALL felirat szerepel, teljes mértékben kompatibilisek a következő termékekkel:
 - A 18 V-os POWER FOR ALL akkumulátorrendszer minden terméke.
 - A POWER FOR ALL rendszer partnereinek összes 18 V-os terméke.
- **Tartsa be a termék használati utasításában található, akkumulátorra vonatkozó ajánlásokat.** Az akkumulátor és a termék csak így üzemeltethető veszély nélkül, és az akkumulátorok így védhetők meg a veszélyes túlterheléstől.
- **Az akkumulátorokat csak a gyártó vagy a POWER FOR ALL rendszer partnerei által ajánlott töltőkkel töltsse.** Az egyik akkumulátortípushoz megfelelő töltő tűzveszélyes lehet, ha egy másik akkumulátortípussal használja.
- **Az akkumulátort részben feltöltve szállítjuk.** Az akkumulátor teljes kapacitásának biztosításához a szerszám gép első használatba vétele előtt teljesen töltsse fel az akkumulátort a töltővel.
- **Az akkumulátor gyerekektől elzárva tartandó.**
- **Ne nyissa fel az akkumulátort.** Fennáll a rövidzárlat veszélye.
- **Az akkumulátor sérülése és helytelen használata esetén gőzök szabadulhatnak fel. Az akkumulátor kigyulladhat vagy felrobbanhat.** Gondoskodjon a terület jó szellőzéséről, és forduljon orvoshoz, ha bármilyen káros hatást tapasztal. A gőzök irritálhatják a légzőszerveket.
- **Nem megfelelő használat vagy az akkumulátor sérülése esetén az akkumulátorból gyúlékony folyadék kerülhet ki. Az ilyen folyadékkal való érintkezést kerülni kell. Ha ez véletlenül mégis megtörténik, öblítse le vízzel. Ha a folyadék a szemébe kerül, forduljon orvoshoz.** Az akkumulátorból távozó folyadék irritációt vagy égési sérülést okozhat.
- **Ha az akkumulátor megsérül, folyadékot lövellhet ki, ami elboríthatja a közeli felületeket. Ellenőrizze az érintett alkatrészeket.** Tisztítsa meg ezeket az alkatrészeket, vagy szükség esetén cserélje ki őket.
- **Ne zárja rövidre az akkumulátort.** Amikor az akkumulátort nem használja, tartsa távol más fémtárgyaktól, például gémpapucsoktól, érméktől, kulcsoktól, tűktől, csavaroktól vagy más kisebb fémtárgyaktól, amelyek összekapcsolhatják a sarukat. Az akkumulátorsaruk rövidre zárása égést vagy tüzet okozhat.

- **Az akkumulátort hegyes tárgyak, például szög vagy csavarhúzó, illetve kívülről ható erő is károsíthatja.** Belső rövidzárlat léphet fel, ami az akkumulátor égését, füstölését, robbanását vagy túlmelegedését okozhatja.
- **Soha ne szervelje a sérült akkumulátort.** Az akkumulátor szervizelését csak a gyártó vagy egy hivatalos szolgáltató végezheti el.
- **Védje az akkumulátort a hőtől, pl. a folyamatos intenzív napsugárzástól, tűztől, szennyeződéstől, víztől és nedvességtől.** Robbanás és rövidzárlat veszélye áll fenn.
- **Az akkumulátort csak 0 °C – +40 °C közötti környezeti hőmérséklet mellett használja a termékekben.**
- **Az akkumulátort csak -20 °C – +50 °C közötti környezeti hőmérsékleten tárolja.** Ne hagyja például nyáron az akkumulátort az autóban. 0 °C alatti hőmérséklet esetén egyes készülékek teljesítménye csökkenhet.
- **Csak 0 °C és +35 °C közötti környezeti hőmérsékleten töltsse az akkumulátort. USB-kábellel csak +10 °C és +35 °C közötti környezeti hőmérsékleten töltsse az akkumulátort.** Az ezen hőmérséklet-tartományon kívüli töltés növelheti az akkumulátor károsodásának kockázatát, és tűzveszélyt jelent.

Az akkumulátortöltő készülék biztonsága



FIGYELMEZTETÉS: Olvassa el az összes biztonsági és általános utasítást.

A biztonsági és általános utasítások figyelmen kívül hagyása áramütést, tüzet és/vagy komoly sérülést okozhat. **Tartsa biztonságos helyen az útmutatót.** Csak akkor használja a töltőt, ha minden funkciót teljes mértékben ki tud értékelni és korlátozások nélkül el tud végezni, vagy ha megfelelő utasításokat kapott.

- **A töltőt csökkent fizikai, érzékelési vagy szellemi képességekkel rendelkező, vagy a készülék működtetésében járatlan személyek nem használhatják.** A töltőt 8 éven felüli gyermekek, illetve csökkent fizikai, érzékelési vagy szellemi képességekkel rendelkező, vagy a készülék működtetésében járatlan személyek is használják, amennyiben ezt felügyelet mellett teszik, illetve ismerik a készülék biztonságos működtetésének módját és az azzal járó veszélyeket. Ellenkező esetben meghibásodás és sérülés veszélye áll fenn.
- **Felügyelje a gyermekeket használat, tisztítás és karbantartás közben.** Így biztosíthatja, hogy a gyerekek ne játszanak a töltővel.
- **Csak a POWER FOR ALL rendszer 18 V-os, 1,5 Ah-s akkumulátorait töltsse.** Az akkumulátor feszültségének meg kell egyeznie a töltő töltőfeszültségével. Nem újratölthető

akkumulátorokat ne töltsön. Ellenkező esetben fennáll a tűz- és robbanásveszély.

- **A töltőt csak beltérben használja, nedves körülményeknek ne tegye ki.** A gépbe jutó víz növeli az áramütés kockázatát.
- **Tartsa tisztán a töltőt.** A szennyeződés áramütés veszélyét rejti magában.
- **Használat előtt mindig ellenőrizze a töltőt, a kábelt és a csatlakozót.** Ha bármilyen sérülést észlel, ne használja tovább a töltőt. Ne nyissa fel a töltőt, és csak Husqvarna vagy engedéllyel rendelkező szakemberrel javíttassa meg, kizárólag eredeti cserealkatrészeket felhasználva. A sérült töltők, kábelek és dugók növelik az áramütés veszélyét.
- **Ne üzemeltesse a töltőt könnyen gyulladó felületen (pl. papír, textil stb.) vagy gyúlékony környezetben.** A töltő működés közbeni felmelegedése miatt fennáll a tűzveszély.
- **Ne takarja le a töltő szellőzőnyílásait.** Ellenkező esetben a töltő túlmelegedhet, és nem fog megfelelően működni.
- **Csak a gyártó által meghatározott töltővel töltsze.** Az a töltő, amelyik az egyik típusú akkumulátorhoz használható, tűzveszélyes lehet, ha másik típusú akkumulátorral használják.
- **Az akkumulátor sérülése és helytelen használata esetén gőzök is keletkezhetnek.** Gondoskodjon a terület jó szellőzéséről, és forduljon orvoshoz, ha bármilyen káros hatást tapasztal. A gőzök irritálhatják a légzőszerveket.
- **Nem rendeltetésszerű használat esetén folyadék lövellhet ki az akkumulátorból. Az ilyen folyadékkal való érintkezést kerülni kell. Ha ez véletlenül mégis megtörténik, öblítse le vízzel. Ha a folyadék a szemébe kerül, forduljon orvoshoz.** Az akkumulátorból távozó folyadék irritációt vagy égési sérülést okozhat.
- **Csak a Nagy-Britanniában értékesített termékek esetén:** A termék BS 1363/A szabvány szerint jóváhagyott elektromos dugasszal van felszerelve, belső biztosítókkal (ASTA a BS 1362 szabvány szerint jóváhagyva). Ha a dugasz nem alkalmas az Ön aljzataihoz, akkor azt le kell vágni, és egy megfelelő dugaszt kell a helyére szereltetni egy hivatalos szakszervizzel. A cseredugasznak ugyanolyan teljesítményű biztosítókkal kell rendelkeznie, mint az eredeti dugasznak. Az esetleges áramütésveszély elkerülése érdekében

a levágott dugaszt dobja ki, és soha ne dugja be a hálózati aljzatba.

Biztonsági utasítások a karbantartáshoz



FIGYELMEZTETÉS: A termék használata előtt olvassa el az alábbi figyelmeztetéseket.

- A véletlen beindítás elkerülése érdekében karbantartáskor fordítsa a biztonsági kulcsot „0” állásba, és távolítsa el az akkumulátort. A karbantartás megkezdése előtt várjon legalább 5 másodpercet.
- Csak a felhasználói kézikönyvben megadott karbantartást végezze el. Komolyabb beavatkozásokat és szakszerű javításokat csak hivatalos szerviznek végezhet. Bővebb információért forduljon a legközelebbi szakszervizhez.
- A termék élettartamának növelése és a balesetveszély elkerülése érdekében végezze el szakszerűen a karbantartási műveleteket.
- A sérült, kopott vagy törött alkatrészt cserélje ki. Mindig a gyártó eredeti pótalkatrészeit használja. Más pótalkatrészek károsíthatják a terméket, és növelhetik a balesetveszélyt.
- A sérülések elkerülése érdekében ne távolítsa el és ne végezzen módosításokat a biztonsági eszközökön.
- A vágószerszemet használata során viseljen strapabíró védőkesztyűt. A kés nagyon éles, könnyen megvághatja magát.
- A legjobb és legbiztonságosabb teljesítmény érdekében tartsa a vágóéleket élesen és tisztán.
- Rendszeresen ellenőriztesse a gépet a szakszervizzel, és végeztesse el a szükséges beállításokat és javításokat.
- Kövesse a tartozékcserére vonatkozó utasításokat. Kizárólag a gyártótól származó tartozékokat használja.
- Ha nincs használatban, tartsa a terméket, az akkumulátort és az akkumulátortöltőt elkülönítve egy száraz, beltéri és zárt területen. Gondoskodjon róla, hogy gyermekek és felhatalmazással nem bíró személyek ne férhessenek hozzá a termékhez, az akkumulátorhoz és az akkumulátortöltőhöz.

Összeszerelés

Bevezető



FIGYELMEZTETÉS: A termék összeszerelése előtt olvassa el a biztonságra vonatkozó fejezetet.



FIGYELMEZTETÉS: A véletlen beindítás elkerülése érdekében az összeszereléskor fordítsa a biztonsági kulcsot „0” állásba, vegye ki az akkumulátort, és várjon legalább 5 másodpercet.

A fogantyúmagasság beállítása

A termék szabadon állítható magasságú fogantyúval rendelkezik. A fogantyú magassága 2 beállított pont között állítható be a kívánt magasságra.

1. Állítsa a terméket működési pozícióba. Lásd: *A termék működési pozícióba állítása* 259. oldalon.
2. Fordítsa el a fogantyún lévő rögzítógombokat az óramutató járásával ellentétes irányba. (ábra 27)
3. Húzza a fogantyút a megfelelő pozícióba.
4. Helyezze a 2 fogantyút vízszintesbe.



VIGYÁZAT: Ha a fogantyúk nincsenek vízszintesben, a termék károsodik.

5. Fordítsa el a fogantyún lévő rögzítógombokat az óramutató járásával megegyező irányba.
6. Húzza meg teljesen a rögzítógombokat.

A fűgyújtó beszerelése

1. Emelje fel a hátsó burkolatot.
2. Vegye ki a mulcsozó dugót.
3. Csatlakoztassa a fűgyújtót a vázszekrény felső széléhez.
4. Helyezze a fűgyújtó alsó részét a fűkibobó csatornához. (ábra 28)



VIGYÁZAT: Győződjön meg arról, hogy a fűgyújtó megfelelően rögzül a termék vázához.

A mulcsozó dugó beszerelése

1. Emelje fel a hátsó burkolatot, és vegye ki a fűgyújtót.
2. Nyomja a mulcsozó dugót a fűkibobó csatornába, míg kattantást nem hall. (ábra 29)

A kampó falra történő felszerelése

- A kampót beltérben szerelje fel.
- Tartsa a kampót napfénytől védve és -10 °C és +70 °C közötti környezeti hőmérsékleten.
- Szerelje a kampót gipszkarton-, fa- vagy betonfalra.



VIGYÁZAT: Ügyeljen arra, hogy a fal legalább 30 kg terhet képes legyen megtartani.

- Szerelje fel a kampót a falra a 3 csavarral (A). Szükség esetén használjon tipliket (B). (ábra 30)



VIGYÁZAT: Győződjön meg arról, hogy a csavarok megfelelnek a fal típusának.

- A termékhez elérhető tárolótartozékokkal kapcsolatos információkért forduljon a Husqvarna szervizműhelyhez.

Üzemeltetés

Bevezető



FIGYELMEZTETÉS: A termék működtetése előtt el kell olvasnia és meg kell értenie a biztonságról szóló fejezetet.

Husqvarna Connect

A Husqvarna Connect egy ingyenes mobilalkalmazás. A Husqvarna Connect alkalmazás kibővített funkciókat biztosít Husqvarna termékéhez:

- Bővebb termékinformációk.
- Információk és segítség a termékalkatrészekkel és a szervizeléssel kapcsolatban.

A Husqvarna Connect használatának megkezdése

1. Töltse le az Husqvarna Connect alkalmazást mobil eszközére.
2. Regisztráljon egy fiókot a Husqvarna Connect alkalmazásban.

3. A termék csatlakoztatásához és regisztrálásához kövesse a Husqvarna Connect alkalmazásban megjelenő utasításokat.

Megjegyzés: A Husqvarna Connect alkalmazás nem érhető el minden piacon. További tájékoztatásért forduljon az illetékes szakszervizhez.

A termék működési pozícióba állítása

1. Fordítsa a fogantyúgombokat kioldott állásba. (ábra 31)
2. Hajtsa felfelé a fogantyút, amíg kattantást nem hall. (ábra 32)



VIGYÁZAT: Ügyeljen arra, hogy a kábelek ne legyenek túl feszesek. Ha a kábelek túlságosan feszesek, a fogantyú szállítási helyzetbe történő összehajtásakor megsérülhetnek.



FIGYELMEZTETÉS:

Győződjön meg arról, hogy a fogantyú teljesen fel van hajtva, és rögzített helyzetben van.

- Állítsa be a fogantyúmagasságot. Lásd: *A fogantyúmagasság beállítása259. oldalon.*

A vágási magasság beállítása

- Mozgassa a vágási magasságot szabályozó kart hátrafelé a vágási magasság növeléséhez.
- Mozgassa a vágási magasságot szabályozó kart előrefelé a vágási magasság csökkentéséhez. (ábra 33)



VIGYÁZAT: Ne állítsa túl alacsonyra a vágási magasságot. A kések a talajba ütközhetnek, ha a pázsit felülete nem egyenletes.

Akkumulátor



FIGYELMEZTETÉS: Az akkumulátor használata előtt el kell olvasnia és meg kell értenie a biztonságról szóló fejezetet. Olvassa el figyelmesen az akkumulátorhoz és az akkumulátortöltőhöz mellékelt használati útmutatót is.

Tartsa az akkumulátort és az akkumulátortöltőt megfelelő környezeti hőmérsékleten.

| | Környezeti hőmérséklet |
|-------------------------------------|------------------------|
| Az akkumulátor működése a termékben | 0 °C – +40 °C |
| Az akkumulátor feltöltése | 0 °C – +35 °C |

Az akkumulátor töltése

Az első használat előtt tölts fel az akkumulátort.

Megjegyzés: A töltési folyamat csak akkor végezhető el, ha az akkumulátor hőmérséklete a megengedett töltési hőmérséklet-tartományon (0–45 °C) belül van.

- Csatlakoztassa az akkumulátortöltőhöz való tápkábelét egy földelt hálózati aljzathoz.



VIGYÁZAT: Ellenőrizze, hogy a hálózati feszültség és frekvencia megfelelő-e.

- Helyezze az akkumulátort az akkumulátortöltőbe. Az akkumulátor akkor csatlakozik az akkumulátortöltőhöz, ha a zöld LED villog. (ábra 34)

- Az akkumulátor akkor van teljesen feltöltve, ha az akkumulátortöltő zöld LED-je világít. Az akkumulátort legfeljebb 24 óráig tölts.
- Húzza ki az akkumulátortöltőt a konnektorból.



VIGYÁZAT: Ne a tápkábelét húzza.

- Vegye ki az akkumulátort a töltőből.

Az akkumulátor állapotát jelző LED az akkumulátortöltőn

A piros LED (A) és a zöld LED (B) az akkumulátortöltőn az akkumulátor állapotát jelzi. Lásd: *Az akkumulátortöltővel kapcsolatos hibák elhárítása263. oldalon.*

(ábra 35)

| LED | Az akkumulátor állapota |
|-----------------------------|---|
| A zöld LED gyorsan villog. | Az akkumulátor töltődik. |
| A zöld LED lassan villog. | Az akkumulátor töltöttsége 80%-os. |
| A zöld LED világít. | Az akkumulátor teljesen fel van töltve. |
| A piros LED világít. | Lásd: <i>Az akkumulátortöltővel kapcsolatos hibák elhárítása263. oldalon.</i> |
| A piros LED gyorsan villog. | Lásd: <i>Az akkumulátortöltővel kapcsolatos hibák elhárítása263. oldalon.</i> |

Az akkumulátor állapotát jelző LED a terméken

Amikor az akkumulátor be van helyezve a termékbe, a terméken lévő LED-ek jelzik az akkumulátor állapotát.

(ábra 36)

| LED | Az akkumulátor állapota |
|------------------------------|---|
| Az 1., 2. és 3. LED világít. | Teljesen feltöltve. |
| Az 1. és 2. LED világít. | Kellően feltöltve |
| Az 1. LED világít. | Az akkumulátor töltöttsége alacsony. |
| Az 1. LED villog. | Az akkumulátor lemerült. Az akkumulátor töltöttségjelzője villog. Tölts fel az akkumulátort. Lásd: <i>Az akkumulátor töltése260. oldalon.</i> |

A termék elindítása

1. Nyissa fel az akkumulátorfedelelet.
2. Helyezze a feltöltött akkumulátort az akkumulátortartóba.
3. Állítsa a biztonsági kulcsot „1” állásba. (ábra 37)
4. Maradjon a termék mögött.
5. Oldja ki az indításgátlót. (ábra 26)
6. Nyomja a motorfékfogantyút a fogantyú irányába. (ábra 38)

Nagy terhelésű üzemmód funkció

Ha a termékkel hosszú vagy nedves fűvet vág, a motor automatikusan növeli a fordulatszámot. A motor normál módba tér vissza, ha a nincs szükség nagy terhelésre.

A motor leállása

Használat közben a kés és a motor ideiglenesen leállhat olyan akadályok miatt, mint például a fű összetörődése a vágóburkolat alatti. Lásd: *A termék tisztítása262. oldalon.*



FIGYELMEZTETÉS:

A vágóburkolat ellenőrzése előtt engedje el a motorfékfogantyút, fordítsa a biztonsági kulcsot „0” állásba, vegye ki az akkumulátort, és várjon legalább 5 másodpercet. Az akadály eltávolítása után a termék véletlen elindulása sérülésveszélyt okozhat.

A termék leállítása



FIGYELMEZTETÉS: Mindig állítsa a biztonsági kulcsot „0” állásba, ha a terméket felügyelet nélkül hagyja.

Karbantartás

Bevezetés



FIGYELMEZTETÉS: Karbantartás előtt el kell olvasnia és meg kell értenie a biztonságról szóló fejezetet.

A gépen végzett minden szerviz- és javítási munkát szakképzettséget igényel. Garantáljuk a professzionális javítások és szervizelés lehetőségét. Ha viszonteladója nem szervizműhely, forduljon hozzájuk a legközelebbi szervizműhellyel kapcsolatban.

1. A motor leállításához engedje fel a motorfékfogantyút. (ábra 39)
2. Nyissa fel az akkumulátorfedelelet, és fordítsa a biztonsági kulcsot „0” állásba. (ábra 40)
3. Az akkumulátor eltávolításához nyomja meg a kioldógombot, és húzza ki az akkumulátort. (ábra 41)
4. Töltse fel a gyenge töltöttségű akkumulátort. További információért lásd: *Az akkumulátor töltése260. oldalon.*

Megfelelő eredmény elérése

- Használjon mindig éles kést. A tompa kés egyenetlen eredményt ad, és a fű vágási felülete megsárgul. Az éles kés egyben kevesebb energiát igényel, mint a tompa kés.
- Ne nyírjon le többet a fű hosszának $\frac{1}{3}$ -ánál. Először nagy vágási magasságot állítson be, és úgy nyírjon. Vizsgálja meg az eredményt, és csökkentse a vágási magasságot egy megfelelő szintre. Ha nagyon magas a fű, lassan és szükség esetén 2-szer nyírjon.
- Minden alkalommal más irányban haladjon, hogy ne alakuljanak ki sávok a pázsiton.
- Tartsa tisztán a vágóburkolatot. A vágóburkolat belső oldalán lerakódott fű és szennyeződés ronthatja a vágási eredményt. Lásd: *A termék tisztítása262. oldalon.*

Részletesebb információért lásd: www.husqvarna.com.

Karbantartási terv

A karbantartási intervallumok meghatározásakor a termék napi használatát feltételeztük. Az intervallum változik, ha a terméket nem napi rendszerességgel használja.

A *-gal jelölt karbantartásokhoz az utasításokat lásd: *Biztonság252. oldalon.*

| | Minden használat során | Havi | Évszakonként |
|---------------------------------|------------------------|------|--------------|
| Végezzen általános ellenőrzést. | X | | |

| | Minden használat során | Havi | Évszakonként |
|---|------------------------|------|--------------|
| Tisztítsa meg a terméket. | X | | |
| Ellenőrizze az indításgátlót. * | X | | |
| Ellenőrizze, hogy a termék biztonsági eszközei nem hibásak-e. * | X | | |
| Ellenőrizze a vágószerkezetet. | X | | |
| Ellenőrizze a vágóburkolatot. * | X | | |
| Ellenőrizze a motorfékfogantyút. * | X | | |
| Ellenőrizze, nem sérült-e az akkumulátor. | X | | |
| Ellenőrizze az akkumulátor töltöttségét. | X | | |
| Ellenőrizze, működik-e az akkumulátor kioldógombja, és megfelelően rögzül-e az akkumulátor a termékben. | X | | |
| Ellenőrizze az akkumulátortöltő épségét; győződjön meg arról, hogy megfelelően működik-e. | | X | |
| Ellenőrizze az akkumulátor és a termék közötti csatlakozásokat. Ellenőrizze az akkumulátor és az akkumulátortöltő közötti csatlakozásokat is. | | | X |

Általános ellenőrzés

- Ellenőrizze, hogy az anyák és csavarok meg vannak-e szorítva a terméken.
- Ellenőrizze, hogy a termék kábelei úgy helyezkednek-e el, hogy ne tudjanak megsérülni.

A termék tisztítása

- A műanyag részeket tiszta, száraz törülközővel tisztítsa.
- A termék tisztításához ne használjon vizet. A víz az akkumulátorba vagy a motorba jutva azok rövidzárlatát vagy a termék károsodását okozhatja.
- Ne használjon nagynyomású mosót a termék tisztításához.
- Ne irányítsa a vízsugarat közvetlenül a motorra.
- Kéfével távolítsa el a leveleket, a fűvet és az egyéb szennyeződések.

Az akkumulátor és az akkumulátortöltő tisztítása



FIGYELMEZTETÉS: Soha ne tisztítsa vízzel az akkumulátort vagy az akkumulátortöltőt.



FIGYELMEZTETÉS: Az akkumulátor tisztításához ne használjon vegyi anyagokat.

- Mielőtt az akkumulátort a töltőkészülékbe helyezné, győződjön meg róla, hogy az akkumulátor és az akkumulátortöltő tiszta és száraz-e.
- Az akkumulátorsaruk tisztítását sűrített levegővel vagy egy puha és száraz ruhával végezze.
- Az akkumulátor és a töltőkészülék felületének tisztítását puha és száraz ruhával végezze.

A vágószerkezet ellenőrzése



FIGYELMEZTETÉS: A véletlen beindítás elkerülése érdekében fordítsa a biztonsági kulcsot „0” állásba, vegye ki az akkumulátort, és várjon legalább 5 másodpercet.



FIGYELMEZTETÉS:

A vágószerkezet karbantartásakor használjon védőkesztyűt. A kés nagyon éles, könnyen megvághatja magát.

1. Ellenőrizze a vágószerkezetet sérülés, repedés szempontjából. Mindig cserélje ki a sérült vágószerkezetet.
2. Nézze meg a kést, hogy sérült-e vagy tompa-e.

Megjegyzés: A kés élezését követően ki kell egyensúlyozni. Végeztesse a kés élezését, cseréjét és kiegyensúlyozását szervizközponttal. Ha olyan akadályba ütközött, amely megállította a terméket, cserélje ki a sérült kést. Vizsgáltassa meg

a szervizközpontban, hogy élezhető-e a kés, vagy pedig cserét igényel-e.

A kés cseréje

Lásd: *Műszaki adatok267. oldal*on a megfelelő késtípust illetően.



FIGYELMEZTETÉS: A kés cseréjekor rögzítse a kést egy fadarabbal, hogy elkerülje az ujjak sérülését. A kés elmozdulhat, ha a motor ki van kapcsolva, és az ujjak beszorulhatnak a kés és az álló alkatrészek közé.

1. Rögzítse a kést egy fadarabbal. (ábra 42)
2. Távolítsa el a késtartó csavart.
3. Vegye le a kést.
4. Ellenőrizze a késtámaszt és a késtartó csavart, hogy sérült-e.
5. Ellenőrizze a motor tengelyét, hogy nincs-e meghajolva.

6. Az új kés rögzítésekor a kés ferde vége a vágóburkolat felé nézzen. (ábra 43)
7. Győződjön meg róla, hogy a kés igazodik a motortengely középpontjához.
8. Rögzítse a kést egy fadarabbal. Helyezze fel a rugós alátétet, és húzza meg a csavart 23-28 Nm nyomatékkal. (ábra 44)
9. Forgassa meg a kést kézzel, és figyelje, hogy szabadon forog-e.



FIGYELMEZTETÉS: Használjon strapabíró kesztyűt. A kés nagyon éles, könnyen megvághatja magát.

10. Indítsa be a terméket, hogy tesztelje a kést. Ha a kés nincs megfelelően rögzítve, a termékben rezgés tapasztalható, vagy a vágási eredmény nem kielégítő.

Hibaelhárítás

Az akkumulátortöltővel kapcsolatos hibák elhárítása

| LED az akkumulátor-töltőn | Ok | Megoldás |
|--|--|--|
| A zöld LED világít, és a piros LED villog. | Az akkumulátor nincs megfelelően behelyezve az akkumulátortöltőbe. | Vegye ki az akkumulátort a töltőből, majd helyezze vissza. |
| | Az akkumulátor csatlakozói szennyezettek. | Tisztítsa meg az akkumulátorcsatlakozókat. |
| | A töltő belső hibát észlelt. | Ellenőrizze, hogy minden akkumulátor teljesen be van-e helyezve. Húzza ki a tápcsatlakozót, majd dugja vissza. Ha a hiba ismét előfordul, vizsgáltsa meg a töltőt egy hivatalos Husqvarna szervizközponttal. |
| | Meghibásodott az akkumulátor. | Cserélje ki az akkumulátort. |
| A piros LED világít, a zöld pedig nem. | Az akkumulátor hőmérséklete a töltési tartományon kívül van. | Várja meg, amíg az akkumulátor hőmérséklete ismét a megengedett töltési hőmérséklet-tartományon (0–45 °C) belülré kerül. |

| LED az akkumulátortöltőn | Ok | Megoldás |
|------------------------------------|--|--|
| A zöld és a piros LED nem világít. | Az akkumulátortöltő nincs megfelelően csatlakoztatva a hálózati aljzathoz. | Csatlakoztassa az akkumulátortöltőt egy hálózati aljzathoz. |
| | Hibás hálózati aljzat. | Az akkumulátortöltőt a típus táblán szereplő feszültségű és frekvenciájú áramforráshoz csatlakoztassa. |
| | Meghibásodott az akkumulátortöltő-kábel. | Forduljon egy hivatalos szakszervizhez. |
| | Meghibásodott az akkumulátortöltő. | |
| Egyéb hibák. | Egyéb hibák esetén győződjön meg arról, hogy a termék ki van kapcsolva, vegye ki az akkumulátort, és forduljon egy hivatalos szervizműhelyhez. | |

A fűnyírógép hibaelhárítása

A figyelmeztető jelzés (hibajelző LED) a készülék hátoldalán, az akkumulátorfedél mögött található.

| Probléma | Hibajelző LED (világítások száma) | Ok | Megoldás |
|---|-----------------------------------|---|---|
| Villog a hibajelző LED. A termék nem működik megfelelően. | 5 | A kés megszorult. | A véletlen beindítás megelőzéséhez mindig állítsa a biztonsági kulcsot „0” állásba. Távolítsa el az akkumulátort, és várjon legalább 5 másodpercet. Távolítsa el az esetleges akadályokat, és ellenőrizze, hogy a kés szabadon forog-e. Ha a probléma továbbra is fennáll, lépjen kapcsolatba egy hivatalos szakszervizzel. |
| | | A motor fordulatszáma túlságosan lecsökken, majd a motor leáll. | Növelje a vágási magasságot. Lásd: <i>A vágási magasság beállítása 260. oldalon.</i> |
| | 10 | A motorvezérlő túl forró. | Állítsa le a motort, és várjon, amíg lehűl. |

| Probléma | Hibajelző LED (világítások száma) | Ok | Megoldás |
|---|--|--|--|
| Villog a hibajelző LED. A termék leáll. | 22 | Az akkumulátor hőmérséklete túl magas, mert a munkakörnyezet hőmérséklete túl magas. | Vegye ki az akkumulátort a gépből, és várja meg, amíg lehűl, mielőtt újra beindítja a gépet. Ellenőrizze, hogy megfelelő-e a környezeti hőmérséklet. Az akkumulátort 0 °C és +40 °C közötti hőmérsékleten használja. Ha a probléma továbbra is fennáll, lépjen kapcsolatba egy hivatalos szakszervizzel. |
| | | Az akkumulátor hőmérséklete túl magas, mert a motor túlterhelődött | Növelje a vágási magasságot. Lásd: <i>A vágási magasság beállítása260. oldal</i> . Ha a probléma továbbra is fennáll, lépjen kapcsolatba egy hivatalos szakszervizzel. |
| | 0 | Akkumulátorcsatlakozó hiba. | Vizsgálja meg az akkumulátor csatlakozóját. |
| | 3 | A motor túlterhelése tapasztalható. | Növelje a vágási magasságot. Lásd: <i>A vágási magasság beállítása260. oldal</i> . |
| | 9 | Akkumulátorhiba, vagy nincs jel az akkumulátortól. | Helyezze be megfelelően az akkumulátort, és ellenőrizze az akkumulátorcsatlakozót. Ha az akkumulátoron lévő hibajelző LED villog, lásd: <i>Az akkumulátortöltővel kapcsolatos hibák elhárítása263. oldal</i> . Ha a probléma továbbra is fennáll, lépjen kapcsolatba egy hivatalos szakszervizzel. |
| | 8 | Az akkumulátor töltöttségi szintje alacsony. | Töltse fel az akkumulátort. Lásd: <i>Az akkumulátor töltése260. oldal</i> . |
| | 12 | Nem megfelelő indítási folyamat. A motorfékfogantyút a motor beindítása előtt behúzta. | Engedje el a motorfékfogantyút, és várjon kb. 5 másodpercet. A termék elindításához húzza be újra a motorfékfogantyút. |
| Egyéb hibák. | Egyéb hibák esetén fordítsa a biztonsági kulcsot „0” állásba, vegye ki az akkumulátort, és forduljon egy hivatalos szervizműhelyhez. | | |

Szállítás, tárolás és ártalmatlanítás

Bevezetés



FIGYELMEZTETÉS: A szállítás és tárolás közbeni véletlen beindítás elkerülése érdekében fordítsa a biztonsági kulcsot „0” állásba, vegye ki az akkumulátort, és várjon legalább 5 másodpercet.

A termék szállítási helyzetbe állítása

- Távolítsa el a fűgyújtót, és győződjön meg arról, hogy az üres.
- Fordítsa a fogantyún lévő rögzítőgombokat az óramutató járásával ellentétes irányba a kioldáshoz. (ábra 45)
- Nyomja a fogantyút a hátsó fedél irányába.
- Fordítsa a fogantyún lévő rögzítőgombokat az óramutató járásával megegyező irányba a zároláshoz.
- Fordítsa a fogantyúgombokat kioldott állásba. (ábra 46)
- Hajtsa lefelé a fogantyút, amíg kattantást nem hall. (ábra 47)

Lásd: A termék tárolási helyzetbe állítása 266. oldalon a termék tárolásához.

Szállítás

- A mellékelt lítium-ion akkumulátorokra a veszélyes anyagokra vonatkozó jogszabályok követelményei érvényesek.
- Kereskedelmi szállításnál be kell tartani a csomagoláson és címkéken szereplő speciális előírásokat.
- Ügyeljen rá, hogy betartsa a veszélyes anyagokra vonatkozó jogszabályokat a termék szállításra való előkészítésekor. Az esetleges helyi jogszabályokat is be kell tartani.
- Szállításhoz mindig vegye ki az akkumulátort.
- Tegyen ragasztószalagot az akkumulátor csatlakozóira, és gondoskodjon róla, hogy az akkumulátor ne mozdulhasson el a szállítás során.
- Szállításkor rögzítse a terméket.

Tárolás

- Tárolás előtt hagyja lehűlni a terméket.
- Tároláshoz mindig vegye ki az akkumulátort.
- A baleset megelőzése érdekében tároláskor az akkumulátor ne csatlakozzon a termékhez.
- Az akkumulátortöltőt zárt, száraz helyen tárolja.
- Az akkumulátort és az akkumulátortöltőt száraz helyen tárolja, ahol nem alakul ki nedvesség vagy fagy.
- A tárolás során csatlakoztassa le az akkumulátort az akkumulátortöltőtől.
- Ne tartsa az akkumulátort olyan helyen, ahol elektrosztatikus töltés lehet jelen. Ne tartsa az akkumulátort fém dobozban.
- A terméket olyan helyen tárolja, ahol a környezeti hőmérséklet -20 °C és $+50\text{ °C}$ között van.
- Olyan helyen tárolja az akkumulátort, ahol a környezeti hőmérséklet mindig -20 °C és $+50\text{ °C}$ közé esik, és védve van a napfénytől.
- Az akkumulátortöltőt száraz, zárt és fagymentes helyen tárolja.
- A hosszú ideig való tárolás előtt győződjön meg róla, hogy az akkumulátor tiszta, és fel van töltve.
- Tartsa a terméket, az akkumulátort és az akkumulátortöltőt gyermekektől és jogosulatlan személyektől elzárt területen.
- Tisztítsa meg a terméket, és győződjön meg arról, hogy a fűgyűjtő üres.
- Végezze el a jelen kezelői kézikönyvben megadott karbantartási eljárásokat. Lásd: *Karbantartás261. oldalon.*
- A termék hosszú ideig való tárolása előtt végezze el annak teljes karbantartását.

A termék tárolási helyzetbe állítása



FIGYELMEZTETÉS: A szállítás és tárolás közbeni véletlen beindítás elkerülése érdekében fordítsa a biztonsági kulcsot „0” állásba, vegye ki az akkumulátort, és várjon legalább 5 másodpercet.

1. Vegye ki az akkumulátort.
2. Állítsa a terméket szállítási helyzetbe. Lásd: *A termék szállítási helyzetbe állítása 265. oldalon.*
3. Helyezze át a terméket a tárolási helyre.

A termék talajon való vízszintes tárolása

1. Állítsa a terméket tárolási pozícióba. Lásd: *A termék tárolási helyzetbe állítása 266. oldalon.*
2. Rögzítse a fűgyűjtőt. Lásd: *A fűgyűjtő rögzítése267. oldalon.*
3. Helyezze a terméket vízszintesen a talajra. (ábra 48)

A termék talajon való függőleges tárolása

1. Állítsa a terméket tárolási pozícióba. Lásd: *A termék tárolási helyzetbe állítása 266. oldalon.*
2. Emelje fel a terméket a fogantyún lévő emelési pontoknál fogva, és helyezze a terméket függőlegesen sík felületre. (ábra 49)



FIGYELMEZTETÉS: Ne emelje fel a terméket a vágófedélnél fogva. A kés nagyon éles, könnyen megvághatja magát.

3. Rögzítse a fűgyűjtőt. Lásd: *A fűgyűjtő rögzítése267. oldalon.*
4. Győződjön meg arról, hogy a termék stabil, és hogy a 2 támasztóláb hozzáér a padlóhoz.
5. Helyezze a terméket függőlegesen a talajra. (ábra 50)

A termék függőleges tárolása a mellékelt kampón



FIGYELMEZTETÉS: A terméket csak a mellékelt kampóval akassza a falra.

1. Szerelje fel a mellékelt kampót. Lásd: *A kampó falra történő felszerelése259. oldalon.*
2. Állítsa a terméket tárolási pozícióba. Lásd: *A termék tárolási helyzetbe állítása 266. oldalon.*
3. Emelje fel a terméket a fogantyún lévő emelési pontoknál fogva. (ábra 49)



FIGYELMEZTETÉS: Ne emelje fel a terméket a vágófedélnél fogva. A kés nagyon éles, könnyen megvághatja magát.

4. Akassza a terméket függőlegesen a mellékelt horogra. Lásd: *A kámpó falra történő felszerelése* 259. oldalon. (ábra 51)
5. Győződjön meg arról, hogy a termék felfüggesztése megfelelő, és stabilan áll a kámpó 2 rúdján.
6. Rögzítse a fűgyújtót. Lásd: *A fűgyújtó rögzítése* 267. oldalon.

A fűgyújtó rögzítése

1. Rögzítse a fűgyújtót a készülék elején található horonyhoz. (ábra 52)
2. Nyomja a fűgyújtó alsó részét az emelési ponthoz, amíg kattantást nem hall. (ábra 53)

Hulladékkezelés

A terméken vagy a csomagolásán található szimbólum azt jelzi, hogy ezt a terméket nem szabad a háztartási hulladék közé helyezni. A megfelelő újrafeldolgozó pontra el kell juttatni az elektromos és elektronikus berendezések hasznosítása érdekében.

A termék megfelelő kezelésének biztosításával segíthet kiküszöbölni azokat a környezetre és az

emberre gyakorolt potenciális negatív hatásokat, amelyeket a termék helytelen hulladékkezelése okozhat. A termék újrahasznosításával kapcsolatban az önkormányzat, a hulladéktátraltatnítási szolgáltató végző vállalkozás, illetve a terméket értékesítő szaktereskedés nyújthat részletesebb tájékoztatást. (ábra 54)

Csak EU-országok esetében: A 2006/66/EK irányelvnek megfelelően a hibás vagy használt akkumulátorcsomagokat/elemeket elkülönítve kell gyűjteni és környezetbarát módon ártalmatlanítani.

Csak az Egyesült Királyság esetén: A hulladékelemekről és -akkumulátorokról szóló 2009. évi (módosított) rendelet (SI 2009/890) szerint a már nem használható akkumulátorcsomagokat/elemeket elkülönítve kell gyűjteni és környezetbarát módon ártalmatlanítani.

Műszaki adatok

Műszaki adatok

| Aspire LC34-P4A | |
|--|-------------------------|
| Nyírómotor | |
| Motor típus | BLDC (kefe nélküli) 18V |
| Motor fordulatszáma – névleges, ford./perc | 3000 |
| Motor fordulatszáma – nagy terhelés, ford./perc | 3500 |
| Motor teljesítménye – max. kW | 0,7 |
| Motor teljesítménye – névleges, kW | 0,5 |
| Hajtómotor | |
| Motor teljesítménye – névleges, kW | n.a. |
| Önjárás sebessége, km/h | n.a. |
| Sebességfokozatok száma | n.a. |
| Tömeg | |
| Tömeg zsák nélkül (akkumulátor nélkül), kg | 11,5 |
| Tömeg zsákkal (1 db P4A 18-B72 akkumulátorral), kg | 13,5 |
| Akkumulátor | |
| Akkumulátor típusa | Lítium-ion |
| Akkumulátor üzemiideje | |

| | | Aspire LC34-P4A |
|--|--|------------------------|
| Akkumulátor üzemideje, perc ⁴⁵ | | 60 |
| Zajkibocsátás ⁴⁶ | | |
| Hangteljesítményszint, mért dB (A) érték | | 86 |
| Hangteljesítményszint, garantált, L _{WA} dB (A) | | 87 |
| Zajszippek ⁴⁷ | | |
| Hangnyomásszint a felhasználó fülénél, dB (A) | | 74 |
| Rezgésszintek ⁴⁸ | | |
| Fogantyú, m/s ² | | 0,5 |
| Vágófelszerelés | | |
| Vágási magasság, mm | | 30-65 |
| Vágási szélesség, cm | | 34 |
| Standard kés | | Combi 5375561-10 |
| Tartozék kés | | n.a. |
| Fűgyújtó úrtartalma, l | | 30 |

Jóváhagyott akkumulátorok

ajánlott legalább 4,0 Ah teljesítményű akkumulátorokat használni.

A termék minden **POWER FOR ALL** akkumulátorral használható. A legjobb teljesítmény érdekében

| Akkumulátor | P4A 18-B45 | P4A 18-B72 |
|----------------------------|-------------------|-------------------|
| Típus | Lítium-ion | Lítium-ion |
| Akkumulátor kapacitása, Ah | 2,5 | 4,0 |
| Névleges feszültség, V | 18 | 18 |
| Tömeg, kg | 0,35 | 0,65 |
| Cellák száma (Li-ion) | 5 | 10 |

Jóváhagyott akkumulátortöltők

| Akkumulátortöltő | P4A 18-C70 |
|-------------------------|-------------------|
| Bemeneti feszültség, V | 220–240 |
| Frekvencia, Hz | 50–60 |

⁴⁵ (üresjárat) normál üzemmódban, egy Husqvarna 4,0 Ah akkumulátorral (P4A 18-B72).

⁴⁶ A környezetben a 2000/14/EK sz. EK irányelvvel összhangban hangteljesítményként mért zajkibocsátás (L_{WA}).

⁴⁷ A hangnyomásszintre vonatkozó jelentési adatok bizonytalansági tényezője (K) 1,5 dB (A).

⁴⁸ A rezgésszintre vonatkozó jelentési adatok bizonytalansági tényezője (K) 1,5 m/s². A teljes rezgés deklarált értékének mérése az EN 62841-4-3 szabvány I. mellékletével összhangban történt, és felhasználható az egyes gépek összehasonlítására, valamint a kitétség előzetes értékelésére.

| | |
|-------------------------|-------------------|
| Akkumulátortöltő | P4A 18-C70 |
| Teljesítmény, W | 70 |

Megfelelőségi nyilatkozat

EU megfelelési nyilatkozat

A **Husqvarna AB**, SE-561 82 Huskvarna, Sweden (tel.: +46-36-146500), a saját felelősségére kijelenti, hogy a termék:

| | |
|---------------------|--------------------------------|
| Leírás | Fűnyíró |
| Márka | Husqvarna |
| Típus/modell | Aspire LC34-P4A |
| Megjelölés | 2022-as és újabb sorozatszámok |

teljes mértékben megfelelnek a következő EU-irányelveknek és szabályozásoknak:

| Szabályozás | Leírás |
|--------------------|---|
| 2006/42/EK | „gépre vonatkozó” |
| 2014/30/EU | „elektromágneses megfeleléségre vonatkozó” |
| 2000/14/EK | „környezeti zajkibocsátásra vonatkozó” |
| 2011/65/EU | „az egyes veszélyes anyagok elektromos és elektronikus berendezésekben való alkalmazásának korlátozására vonatkozó” |

valamint hogy az alábbi szabványok és/vagy műszaki előírások kerültek alkalmazásra: EN 62841-1:2015/AC:2015, EN IEC 62841-4-3:2021/A11:2021, EN ISO 12100:2010, EN 55014-1:2021, EN 55014-2:2021, EN IEC 61000-6-2:2019, EN IEC 61000-6-3:2021, EN IEC 63000:2018

Bejelentett tanúsítási szervezet: A(z) 0404, RISE SMP Svensk Maskinprovning AB, Box 4053, SE-904 03 Umeå, Sweden igazolja a Bizottság 2000/14/EK jelű irányelve VI., megfelelésértékelési eljárás című függelékének való megfelelést.

A zajkibocsátásra vonatkozó tájékoztatást illetően tekintse át a következőt: *Műszaki adatok267. oldalon.*

Huskvarna, 2022-10-24



Claes Losdal, Fejlesztési Igazgató/Kertművelési termékek, Huskvarna AB

A műszaki dokumentációk felelőse



Copyright © 2012–2020 STMicroelectronics

A garancia nem vonatkozik a normál elhasználódásból, a gondatlanságból, a hibás használatból, a jogosulatlan javításból vagy abból eredő hibákra, hogy a szívkészüléket nem megfelelő feszültségről próbálták használni.

Minden jog fenntartva.

Az újraelosztás és a felhasználás forrás- és bináris formában, módosítással vagy anélkül, a következő feltételek teljesülése esetén engedélyezett:

- A forráskód újraelosztásakor a fenti szerzői jogi közleményt, a feltételek listáját és a következő nyilatkozatot kell megtartani.
- A bináris formában történő újraelosztásoknak a fenti szerzői jogi közleményt, a feltételek jelen listáját és az alábbi nyilatkozatot kell tartalmazniuk a dokumentációban és/vagy a terjesztéssel együtt adott egyéb anyagokban.
- Sem az STMicroelectronics neve, sem a közreműködők neve nem használható a szoftverből származó termékek támogatására vagy népszerűsítésére külön előzetes írásbeli engedély nélkül.

A JELEN SZOFTVERT A SZERZŐI JOGOK TULAJDONOSAI ÉS A HOZZÁJÁRULÓK ADOTT ÁLLAPOTBAN BIZTOSÍTJÁK, ÉS KIZÁRNAK MINDEN KIFEJEZETT VAGY VÉLELMEZETT GARANCIÁT, KORLÁTOZÁS NÉLKÜL IDEÉRTVE A FORGALOMKÉPESSÉGRE ÉS AZ ADOTT CÉLRA VALÓ ALKALMASSÁGRA VONATKOZÓ VÉLELMEZETT GARANCIÁKAT. A SZERZŐI JOGOK TULAJDONOSAI VAGY A KÖZREMŰKÖDŐK SEMMILYEN ESETBEN SEM VISELNEK FELELŐSSÉGET SEMMILYEN KÖZVETLEN, KÖZVETETT, JÁRULÉKOS, KÜLÖNLEGES, ELRETTENTÉSI CÉLT SZOLGÁLÓ VAGY KÖVETKEZMÉNYES KÁROKÉRT (BELEÉRTVE TÖBBEK KÖZÖTT A HELYETTESÍTŐ ÁRUK VAGY SZÓLGÁLTATÁSOK BESZERZÉSÉT; A HASZNÁLHATÓSÁG, AZ ADATOK VAGY A NYERESÉG ELVESZTÉSÉT; VAGY AZ ÜZLETI TEVÉKENYSÉG MEGSZAKADÁSÁT IS), ANNAK OKÁTÓL ÉS A FELELŐSSÉG ELMÉLETI ALAPJÁTÓL FÜGGETLENÜL, AKÁR SZERZŐDÉSES, AKÁR OBJEKTÍV FELELŐSSÉGEN ALAPULÓ, AKÁR JOGELLENES KÁROKOZÁS (BELEÉRTVE A GONDATLANSÁGBÓL ELKÖVETETT ÉS EGYÉB KÁROKOZÁSOKAT IS) TÖRTÉNT, AMELY BÁRMILYEN MÓDON ENNEK A SZOFTVERNEK A HASZNÁLATÁBÓL ERED, MÉG AKKOR IS, HA AZ ILYEN KÁROK LEHETŐSÉGÉRŐL A TÁJÉKOZTATÁS MEGTÖRTÉNT.

Apache 2.0 licenc

Copyright © 2009-2019 Arm Limited. Minden jog fenntartva.

2.0 verzió, 2004. január <http://www.apache.org/licenses/>

A HASZNÁLATRA, MÁSOLÁSRA ÉS TERJESZTÉSRE VONATKOZÓ FELTÉTELEK

1. Meghatározások.

A „**licenc**” a jelen dokumentum 1–9. szakaszában meghatározott használati, másolási és terjesztési feltételeket jelenti. A „**licencadó**” a szerzői jog tulajdonosa vagy a licencet adó szerzői jog tulajdonosa által engedélyezett jogalany. A „**jogi személy**” az eljáró jogalany és minden más olyan jogalany egyesülése, amely az adott jogalanyt ellenőrzi, annak ellenőrzése alatt áll, vagy közös ellenőrzés alatt áll vele. A jelen meghatározás alkalmazásában az „**ellenőrzés**” (i) a közvetlen vagy közvetett jogkör, amely az ilyen jogalany irányítását vagy kezelését szerződés által vagy más módon teszi lehetővé, vagy (ii) a fennálló részvények legalább ötven százalékának (50%) tulajdonjoga, vagy (iii) az ilyen jogalany tényleges tulajdonjoga. Az „**Ön**” (vagy „**Öné**”) a jelen licenc által biztosított engedélyeket gyakorló egyénre vagy jogi személyre vonatkozik. A „**forrás**” forma a módosítások előnyben részesített formáját jelenti, korlátozás nélkül ideértve a szoftver forráskódját, a dokumentáció forrását és a konfigurációs fájlokat is. A „**tárgy**” forma a forrás forma mechanikai átalakításából vagy fordításából eredő bármilyen formát jelenti, beleértve, de nem kizárólagosan a lefordított tárgykódot, a létrehozott dokumentációt és a más adathordozó-típusokba történő konverziókat. A „**munka**” a forrás vagy tárgy formában lévő szerzői mű, amely a licenc keretében áll rendelkezésre, amit a műben szereplő vagy ahhoz csatolt szerzői jogi közlemény jelez (az alábbi függelékben található egy példa erre). A „**származékos művek**” minden olyan – forrás vagy tárgy formában lévő – mű, amely a munkán alapul (vagy abból származik), és amely esetében a szerkesztői módosítások, megjegyzések, kidolgozások vagy egyéb módosítások egésze egy eredeti szerzői művet jelent. E licenc alkalmazásában a származékos művek nem tartalmazhatnak olyan munkákat, amelyek a munka és származékos művek felületeitől elválaszthatók vagy alig kapcsolhatók (vagy köthetők név alapján) hozzájuk. A „**közreműködés**” bármely olyan szerzői mű – beleértve a munka eredeti verzióját és az adott munka vagy származékos művek módosításait vagy kiegészítéseit is –, amelyet a szerzői jog tulajdonosa, illetve egy, a szerzői jog tulajdonosa nevében eljáró magánszemély vagy jogi személy szándékosan nyújt be a licencadónak a munkába való belefoglalás érdekében. E meghatározás alkalmazásában a „**beküldött**” bármilyen, a licencadónak vagy annak képviselőinek küldött elektronikus, szóbeli vagy írásos kommunikáció formáját jelenti, nem kizárólagosan beleértve az elektronikus levelezőlistákon, a forráskód-ellenőrző rendszereken és a problémakövető rendszereken keresztül történő kommunikációt is, amelyet a licencadó

kezel vagy annak nevében kezelnek a munka megvitatása és javítása céljából, kizárva azonban az olyan kommunikációt, amelyet a szerzői jog tulajdonosa nyilvánvalóan vagy más módon „nem közreműködésként” jelölt meg. A „közreműködő” a licencadó és az a magánszemély vagy jogi személy, akinek nevében a közreműködést a licencadó megkapta, és ezt követően beillesztette a munkába.

2. Szerzői jogi engedély megadása.

A jelen licenc feltételeinek megfelelően minden közreműködő egy állandó, világszerte érvényes, nem kizárólagos, díjmentes, jogdíjmentes, visszavonhatatlan szerzői jogi licencet biztosít Önnek a munka másolásához, nyilvános megjelenítéséhez, nyilvános végrehajtásához, allenciaciába adásához, a munkából való származékos művek készítéséhez, valamint a munka és az effajta származékos művek forrás és tárgy formában történő terjesztéséhez.

3. Szabadalmi engedély megadása.

A jelen licenc feltételeinek megfelelően minden közreműködő örök, világszerte érvényes, nem kizárólagos, díjmentes, jogdíjmentes, visszavonhatatlan (kivéve az ebben a szakaszban meghatározottak szerint) szabadalmi engedélyt ad Önnek a munka készítésére, használatára, értékesítésre kínálására, értékesítésére, importálására és egyéb módon történő átadására, amennyiben az ilyen engedély csak azokra a szabadalmi igényekre vonatkozik, amelyeket az ilyen közreműködő engedélyezhet, és amelyeket a közreműködés(ek) önmagukban, vagy a közreműködés(ek) és annak a munkának a kombinációja, amelyhez az ilyen közreműködés(ek) be lettek küldve, szükségszerűen megsért. Ha Ön szabadalmi peres eljárást kezdeményez bármely jogalany ellen (beleértve a peres ellenköveteléseket vagy viszontkereseteket is) azt állítva, hogy a munkába belefoglalt mű vagy közreműködés közvetlen vagy közreműködői szabadalombitorlásnak minősül, akkor az adott munkához a jelen licenc alapján Önnek adott szabadalmi engedélyek az ilyen peres eljárás kezdeményezésének napján megszűnnek.

4. Újraelosztás.

A munka vagy származékos művek példányait másolhatja és terjesztheti tetszőleges eszközön, módosításokkal vagy anélkül, valamint forrás vagy tárgy formájában, feltéve, hogy Ön megfelel az alábbi feltételeknek:

- A munka vagy a származékos művek más címzettjeinek is adnia kell egy példányt a jelen licencből; és
- A módosított fájloknak figyelemfelkeltő megjegyzéseket kell tartalmazniuk arról, hogy Ön módosította a fájlokat; és – meg kell őriznie az Ön által terjesztett származékos művek forrás formájában az összes szerzői jogi, szabadalmi, védjegyre vonatkozó és szerzői jogi közleményt a munka forrás formájából, kivéve

azokat a közleményeket, amelyek nem tartoznak a származékos művek valamely részéhez; valamint

- Ha a munka tartalmaz egy „NOTICE” szövegfájlt a terjesztett részeként, akkor az Ön által terjesztett bármely származékos műnek tartalmaznia kell egy olvasható példányt az ilyen NOTICE fájlban található szerzői jogi közleményekről, kivéve azokat a közleményeket, amelyek nem tartoznak a származékos művek egyik részéhez sem, a következő helyek legalább egyikén: a származékos művek részeként terjesztett NOTICE szövegfájlban belül; a forrás formában vagy dokumentációban, ha mellékelve van a származékos művekhez; illetve a származékos művek által létrehozott megjelenítésen belül, amennyiben és ahol az ilyen harmadik féltől származó közlemények általában megjelennek. A NOTICE fájl tartalma csak tájékoztató jellegű, és nem módosítja a licencet. Ön saját szerzői jogi közleményt adhat hozzá az Ön által terjesztett származékos művekben a munka NOTICE szövege mellé vagy annak kiegészítéseként, feltéve, hogy az ilyen további szerzői jogi közlemények nem tekinthetők a licenc módosításának. Ön saját szerzői jogi nyilatkozatát hozzáadhatja a módosításaihoz, és további vagy eltérő licencfeltételeket biztosíthat a módosításai használatához, másolásához vagy terjesztéséhez, illetve bármely ilyen származékos mű egészéhez, amennyiben a munkával kapcsolatos Ön általi használat, másolat és terjesztés megfelel a jelen licenc feltételeinek.

5. Hozzájárulások benyújtása.

Hacsak Ön kifejezetten másként nem rendelkezik, az Ön által a licencadónak szándékosan benyújtott közreműködésre a jelen licenc feltételei vonatkoznak, egyéb további feltételek nélkül. A fentiek ellenére semmi sem helyettesítheti vagy módosíthatja a licencadóval az ilyen közreműködésekkel kapcsolatban végrehajtott külön licencszerződés feltételeit.

6. Védjegyek.

A jelen licenc nem ad engedélyt a licencadó kereskedelmi neveinek, védjegyeinek, szolgáltatási védjegyeinek vagy termékeveinek használatára, kivéve, ha ez szükséges a munka eredetének észszerű és szokásos használat mellett leírásához és a NOTICE fájl tartalmának reprodukálásához.

7. A szavatossági felelősség kizárása.

Az alkalmazandó jogszabályok vagy írásbeli megállapodás eltérő rendelkezése hiányában a licencadó részéről a munka terjesztésére (és az egyes közreműködők a közreműködéseikre) ADOTT ÁLLAPOTBAN KERÜL SOR bármilyen kifejezett vagy vélelmezett GARANCIA VAGY FELTÉTEL NÉLKÜL, beleértve, de nem kizárólagosan a JOGCÍMRE, JOGSÉRTÉS HIÁNYÁRA, PIACKÉPÉSSÉGRE, ILLETVE ADOTT CÉLRA VALÓ ALKALMASSÁGRA vonatkozó garanciákat és feltételeket. Kizárólag Ön

felelős a munka használatára és újraelosztására vonatkozó megfelelés megítéléséért, és vállalja a jelen licenc alapján történő jogosultság gyakorlásával kapcsolatos kockázatokat. 8. A felelősség korlátozása. Semmilyen esetben és semmilyen jogelmélet alapján, legyen szó károkozásról (ideértve a gondatlanságot is), szerződésről vagy más módról, kivéve, ha az alkalmazandó jogszabály előírja (mint például szándékos és súlyos gondatlanság) vagy írásos megegyezés esetén, sem vállal felelősséget egyik közreműködő sem az Önt ért károkra vonatkozóan, beleértve a jelen licencből eredő bármilyen jellegű közvetlen, közvetett, rendkívüli, véletlenszerű vagy következményes károkat is, a munka használatából vagy használatának ellehetetlenülése következtében (korlátozás nélkül ideértve a jó hírnév sérelméből, munkaleállásból, számítógép kieséséből vagy meghibásodásából eredő károkat vagy bármely más kereskedelmi kárt vagy veszteséget), valamint

abban az esetben sem, ha az ilyen közreműködő tájékoztatást kapott az effajta károk lehetőségéről.

9. Garancia vagy további felelősség elfogadása.

A munka vagy a származékos művek újraelosztása mellett választhatja, hogy felajánl, és díjat számít fel a támogatási, jótállási, kártérítési vagy egyéb felelősségi kötelezettségek és/vagy a jelen licenccel összhangban lévő jogok elfogadásáért. Az ilyen kötelezettségek elfogadásakor azonban csak saját nevében és kizárólagos felelősségére járhat el, nem pedig bármely más közreműködő nevében, és csak abban az esetben, ha vállalja, hogy kártalanít, megvéd és véltlennek nyilvánít minden egyes közreműködőt bármely felmerülő kötelezettséggel vagy követeléssel szemben az effajta garancia vagy további felelősség elfogadása miatt. A HASZNÁLATI FELTÉTELEK VÉGE

Bejegyzett védjegyek

A QR-kód a DENSO WAVE INCORPORATED bejegyzett védjegye Japánban.

Sommario

| | | | |
|---------------------|-----|--|-----|
| Introduzione..... | 274 | Trasporto, stoccaggio e smaltimento..... | 289 |
| Sicurezza..... | 275 | Dati tecnici..... | 290 |
| Montaggio..... | 281 | Dichiarazione di conformità..... | 293 |
| Utilizzo..... | 282 | Licenze..... | 294 |
| Manutenzione..... | 284 | Marchi registrati..... | 296 |
| Ricerca guasti..... | 286 | | |

Introduzione

Descrizione del prodotto

Il prodotto è un tagliaerba rotativo con operatore a piedi. L'erba viene raccolta in un raccogliherba. Rimuovere il raccogliherba per scaricare l'erba dalla parte posteriore del prodotto. Montare un coperchio di pacciamatura per tagliare l'erba da utilizzare come fertilizzante.

Uso previsto

Utilizzare il prodotto per tagliare l'erba. Non utilizzare il prodotto per altre attività.

Panoramica del prodotto

(Fig. 1)

1. Leva del freno motore
2. Inibitore di avviamento
3. Impugnatura / manubrio
4. Pomello di bloccaggio del manubrio
5. Manopole dell'impugnatura
6. Raccogliherba
7. Tappo di pacciamatura
8. Coperchio posteriore
9. LED sul prodotto
10. Spia (LED di errore)
11. Chiave di sicurezza
12. Vano batterie
13. Coperchio della batteria
14. Simboli
15. Leva altezza di taglio
16. Batteria (accessorio)
17. Caricabatterie (accessorio)
18. LED rosso
19. LED verde
20. Punti di sollevamento
21. Gancio
22. Manuale dell'operatore

Guida rapida

Eseguire la scansione del codice QR per suggerimenti sull'uso del prodotto.



Simboli riportati sul prodotto

- (Fig. 2) AVVERTENZA
- (Fig. 3) Leggere le istruzioni.
- (Fig. 4) AVVERTENZA - Prestare attenzione agli oggetti lanciati.
- (Fig. 5) Tenere lontano persone e animali dalla zona di lavoro.
- (Fig. 6) AVVERTENZA - Tenere mani e piedi lontani dalle lame.
- (Fig. 7) AVVERTENZA - Scollegare la batteria prima di eseguire la manutenzione.
- (Fig. 8) Il prodotto o l'imballaggio del prodotto non è un rifiuto domestico. Riciclarlo in una stazione di riciclaggio per apparecchiature elettriche ed elettroniche.
- (Fig. 9) Emissioni di rumore nell'ambiente in conformità alle direttive e alle norme UE e UK e alla norma del Nuovo Galles del Sud in materia di protezione dell'ambiente "Protection of the Environment Operations

(Noise Control) Regulation 2017". Il livello di potenza sonora garantito del prodotto è specificato in *Dati tecnici alla pagina 290* nonché sull'etichetta.

- (Fig. 10) Il presente accessorio è conforme alle vigenti direttive CE.
- (Fig. 11) Questo prodotto è conforme alle direttive del Regno Unito vigenti.
- (Fig. 12) Il prodotto è protetto da gocciolamento.
- (Fig. 13) Rilasciare l'impugnatura del freno motore per arrestarlo.
- (Fig. 14) Spingere la leva del freno motore per avviare il riavvolgimento delle lame.
- (Fig. 15) Codice scansionabile.
- (Fig. 18) Ruotare per bloccare o sbloccare.

Nota: I restanti simboli/decalcomanie sul prodotto riguardano particolari requisiti necessari per ottenere la certificazione in alcuni mercati.

Simboli sulla batteria e/o sul caricabatterie

(Fig. 19)

Riciclare questo prodotto in una stazione di riciclaggio per apparecchiature elettriche ed elettroniche. (Solo per l'Europa)

(Fig. 20)

Utilizzare la batteria solo nei prodotti dei partner del sistema POWER FOR ALL.

(Fig. 21)

Proteggere la batteria dal calore, ad esempio da luce solare intensa continua, fuoco, sporcizia, acqua e umidità. C'è il rischio di esplosione e cortocircuito.

(Fig. 22)

(Fig. 16)

Utilizzare e conservare il caricabatteria solo in ambienti interni.

(Fig. 17)

Doppio isolamento.

Etichetta sul prodotto

(Fig. 23)

PERICOLO - Tenere a distanza mani e piedi.

Responsabilità del prodotto

Come indicato nelle leggi vigenti in materia di responsabilità obbligatoria sul prodotto, non siamo responsabili per eventuali danni causati dal nostro prodotto se:

- Il prodotto viene riparato in modo errato.
- Il prodotto viene riparato con parti che non provengono o non sono omologate dal produttore.
- Il prodotto contiene un accessorio che non proviene o non è omologato dal produttore.
- Il prodotto non viene riparato presso un centro di assistenza autorizzato o presso un'autorità competente.

Sicurezza

Definizioni di sicurezza

Le avvertenze, le precauzioni e le note sono utilizzate per evidenziare le parti importanti del manuale.



AVVERTENZA: Utilizzato se è presente un rischio di lesioni o morte dell'operatore o di passanti nel caso in cui le istruzioni del manuale non vengano rispettate.



ATTENZIONE: Utilizzato se è presente un rischio di danni al prodotto, ad altri materiali oppure alla zona adiacente nel caso in cui le istruzioni del manuale non vengano rispettate.

Nota: Utilizzato per fornire ulteriori informazioni necessarie in una determinata situazione.

Avvertenze generali di sicurezza sul prodotto



AVVERTENZA: Leggere tutte le specifiche, illustrazioni, istruzioni e avvertenze di sicurezza fornite con questo prodotto. La mancata osservanza di tutte le istruzioni elencate di seguito può dare luogo a scosse elettriche, incendi e/o gravi lesioni.

Conservare tutte le avvertenze e le istruzioni per la futura consultazione. Nelle avvertenze, il termine

"prodotto" si riferisce al prodotto alimentato tramite rete elettrica (con cavo) o a batteria (senza fili).

Sicurezza dell'area di lavoro

- **Tenere l'area di lavoro pulita e ben illuminata.** Il disordine e le aree di lavoro non illuminate possono essere causa di incidenti.
- **Non mettere in funzione il prodotto in ambienti esplosivi, quali quelli che comportano la presenza di liquidi infiammabili, gas o polvere.** Il prodotto genera scintille che possono incendiare polveri o fumi.
- **Evitare che bambini e altre persone si avvicinino mentre il prodotto è in funzione.** Le distrazioni possono causare la perdita del controllo.

Sicurezza elettrica

- **Le spine del prodotto devono essere adatte alla presa. Evitare assolutamente di apportare modifiche alla spina. Non utilizzare adattatori con prodotti dotati di messa a terra.** Le spine non modificate e le prese adatte allo scopo riducono il rischio di scosse elettriche.
- **Evitare il contatto con superfici messe a massa o collegate a terra, come condutture, radiatori, stufe e frigoriferi.** Sussiste un maggior rischio di scosse elettriche nel momento in cui il corpo è messo a massa.
- **Non esporre i prodotti a pioggia o umidità.** L'ingresso di acqua nel prodotto aumenta il rischio di scosse elettriche.
- **Non rovinare il cavo elettrico. Non utilizzare mai il cavo per trasportare, tirare o staccare dalla presa il prodotto. Non avvicinare il cavo a fonti di calore, olio, spigoli taglienti e neppure a parti della macchina che siano in movimento.** I cavi danneggiati o attorcigliati fanno aumentare il rischio di scosse elettriche.
- **Qualora si utilizzi il prodotto all'aperto, servirsi di un cavo di prolunga adatto.** L'uso di un filo di prolunga omologato per l'impiego all'aperto riduce il rischio di scosse elettriche.
- **Se l'impiego del prodotto in ambienti umidi è inevitabile, utilizzare una fonte di alimentazione con interruttore differenziale (salvavita).** L'utilizzo del salvavita riduce il rischio di scosse elettriche.

Sicurezza personale

- **Durante l'utilizzo del prodotto, prestare attenzione e utilizzare il buonsenso. Non utilizzare un prodotto quando si è stanchi o sotto l'effetto di droghe, alcol o farmaci.** Un momento di disattenzione può provocare lesioni personali gravi.
- **Usare sempre abbigliamento protettivo personale. Indossare sempre una protezione per gli occhi.** L'uso in condizioni adeguate dell'abbigliamento protettivo (come mascherina protettiva, calzature di sicurezza antiscivolo, elmetto o cuffie protettive) riduce le lesioni personali.
- **Prevenire la messa in funzione accidentale. Assicurarsi che l'interruttore sia in posizione OFF**

prima di effettuare il collegamento alla fonte di alimentazione e/o al pacco batterie, o di sollevare o trasportare il prodotto. Trasportare il prodotto tenendo le dita sull'interruttore oppure accendere prodotti con l'interruttore acceso, può provocare incidenti.

- **Rimuovere eventuali chiavi o strumenti di regolazione prima di accendere il prodotto.** Una chiave o altro attrezzo rimasto attaccato a parti rotanti del prodotto può provocare lesioni personali.
- **Operare in sicurezza. Operare sempre facendo attenzione a posizionare bene i piedi e a mantenere l'equilibrio.** In questo modo è possibile ottenere un migliore controllo del prodotto in situazioni impreviste.
- **Vestirsi in maniera adeguata. Non indossare abiti troppo ampi o gioielli. Tenere capelli e indumenti lontani dalle parti in movimento.** Lasciati liberi, indumenti, gioielli o capelli lunghi possono restare impigliati nelle parti in movimento.
- **Qualora vengano forniti strumenti per il collegamento a strutture di estrazione e raccolta della polvere, accertarsi che queste siano collegate e usate in modo adeguato.** La raccolta della polvere può ridurre i rischi legati alla presenza di questo agente.
- **La familiarità e l'esperienza acquisite a seguito dell'uso frequente del prodotto non devono essere motivo di distrazione nell'utilizzo dello stesso. Non ignorare i principi di sicurezza del prodotto.** Un'azione incauta può provocare gravi danni in una frazione di secondo.

Cura e utilizzo del prodotto

- **Non esercitare forza sul prodotto. Utilizzare il prodotto adatto all'applicazione.** Il prodotto corretto svolgerà il lavoro al meglio e in modo più sicuro se utilizzato alla velocità per la quale è stato progettato.
- **Non utilizzare il prodotto se non è possibile accenderlo o spegnerlo tramite interruttore.** Nel caso in cui il prodotto non possa essere controllato tramite interruttore è una situazione di pericolo e, pertanto, è necessario ripararlo.
- **Scollegare la spina dalla fonte di alimentazione e/o rimuovere dal prodotto il pacco batterie, se staccabile, prima di procedere a eventuali regolazioni, sostituzioni di accessori o alla conservazione dei prodotti.** Tali misure di sicurezza preventive riducono il rischio di avvio accidentale del prodotto.
- **Riporre i prodotti quando spenti fuori dalla portata dei bambini e non consentirne l'utilizzo a persone che non hanno familiarità con tali prodotti e con queste istruzioni.** Se utilizzati da persone non preparate, tali prodotti sono pericolosi.
- **Effettuare la manutenzione del prodotto e degli accessori. Verificare l'eventuale presenza di un allineamento non corretto o inceppamento delle parti in movimento, la rottura di pezzi o altra condizione che possa compromettere il funzionamento del prodotto. Qualora danneggiato, riparare il prodotto**

prima dell'uso. Numerosi incidenti sono provocati da prodotti sottoposti a manutenzione inadeguata.

- **Mantenere affilati e puliti gli strumenti da taglio.** Con una manutenzione adeguata, gli strumenti da taglio con bordi affilati risultano più facili da controllare e meno pericolosi.
- **Utilizzare il prodotto, gli accessori, le punte ecc. come indicato nelle presenti istruzioni, tenendo conto delle condizioni di lavoro e della prestazione da effettuare.** L'utilizzo del prodotto per usi diversi da quelli previsti può provocare situazioni di pericolo.
- **Mantenere le impugnature e le superfici di presa asciutte, pulite e prive di olio e grasso.** Le impugnature e le superfici di presa scivolose non consentono una manipolazione e un controllo sicuri del prodotto in situazioni impreviste.

Utilizzo e manutenzione della batteria

- **Ricaricare l'attrezzo esclusivamente utilizzando il caricabatterie specificato dal produttore.** L'utilizzo di un caricabatterie indicato per un altro tipo di batteria potrebbe provocare rischio di incendio.
- **Utilizzare i prodotti esclusivamente con le batterie specificate.** L'utilizzo di altri pacchi batteria potrebbe provocare lesioni e incendi.
- **Se la batteria non viene utilizzata, tenerla lontana da altri oggetti metallici, come graffette, monete, chiavi, chiodi, viti o altri piccoli oggetti metallici che potrebbero consentire il collegamento tra i terminali.** Provocare il cortocircuito dei terminali della batteria potrebbe causare ustioni o provocare un incendio.
- **In condizioni non ottimali, la batteria potrebbe perdere liquido; evitare il contatto. Qualora il contatto avvenisse, sciacquare la parte con acqua. Se il liquido entra negli occhi, chiamare immediatamente un medico.** Il liquido fuoriuscito dalla batteria potrebbe causare irritazioni o ustioni.
- **Non usare batterie o utensili danneggiati o modificati.** Batterie danneggiate o modificate possono manifestare un comportamento imprevedibile, con rischio di incendi, esplosioni e lesioni.
- **Non esporre batterie o utensili al fuoco o a temperature elevate.** L'esposizione al fuoco o una temperatura superiore a 130 °C (265°F) può provocare esplosioni.
- **Seguire tutte le istruzioni per il caricamento della batteria e non caricare la batteria o l'utensile al di fuori dell'intervallo di temperatura indicato nelle istruzioni.** Ricaricare in modo inappropriato o a temperature che non rientrano nell'intervallo specificato può danneggiare la batteria e aumentare il rischio di incendio.

Servizio

- **Fare riparare il prodotto da personale specializzato utilizzando esclusivamente pezzi di ricambio originali.** Ciò consente di mantenere il prodotto in perfette condizioni di sicurezza.

- **Non riparare mai le batterie danneggiate.** Gli interventi di manutenzione sul pacco batterie devono essere eseguiti esclusivamente dal produttore o da centri assistenza autorizzati.

Avvertenze per la sicurezza del tagliaerba

- **Non utilizzare il tagliaerba in condizioni climatiche sfavorevoli, specialmente se vi è rischio di fulmini.** Ciò riduce il rischio di essere colpiti da un fulmine.
- **Ispezionare attentamente l'area in cui deve essere utilizzato il tagliaerba per verificare l'eventuale presenza di fauna selvatica.** Durante l'utilizzo, il tagliaerba può provocare lesioni alla fauna selvatica.
- **Controllare attentamente l'area in cui deve essere utilizzato il tagliaerba e rimuovere tutti i sassi, bastoncini, cavi, ossa e qualsiasi altro oggetto estraneo presente.** Gli oggetti che vengono scagliati possono provocare lesioni personali.
- **Prima di utilizzare il tagliaerba, controllare sempre che la lama e il gruppo lama non siano danneggiati o usurati.** Le parti danneggiate o usurate aumentano il rischio di lesioni.
- **Controllare frequentemente la presenza di usura e danni sul raccogliherba.** Un raccogliherba usurato o danneggiato può aumentare il rischio di lesioni personali.
- **Mantenere le protezioni in posizione. Le protezioni devono essere in buone condizioni e montate correttamente.** Una protezione allentata, danneggiata o non correttamente funzionante può provocare lesioni personali.
- **Tenere i detriti lontano dalle prese d'aria di raffreddamento.** L'ostruzione delle prese d'aria e la presenza di detriti possono provocare surriscaldamento o rischio di incendio.
- **Durante l'utilizzo del tagliaerba, indossare sempre calzature antiscivolo e protettive. Non utilizzare il tagliaerba a piedi nudi o indossando sandali aperti.** Così facendo si riduce il rischio di lesioni ai piedi dovute al contatto con la lama in movimento.
- **Durante l'uso del tagliaerba, indossare sempre pantaloni lunghi.** La pelle esposta aumenta la probabilità di lesioni causate da oggetti proiettati.
- **Non utilizzare il tagliaerba sull'erba bagnata. Procedere adagio, non correre.** Così facendo si riduce il rischio di scivolamento e caduta con conseguenti lesioni personali.
- **Non utilizzare il tagliaerba su pendenze eccessive.** Così facendo si riduce il rischio di perdita di controllo, scivolamento e caduta con conseguenti lesioni personali.
- **Quando si lavora su pendenze, assicurarsi sempre di avere una posizione stabile, lavorare sempre trasversalmente lungo le pendenze, mai guardando a monte o a valle e prestare la massima attenzione quando durante i cambi di direzione.** Così facendo si riduce il rischio di perdita di controllo, scivolamento e caduta con conseguenti lesioni personali.

- **Prestare la massima attenzione durante la retromarcia o quando si tira il tagliaerba verso di sé. Prestare sempre attenzione all'ambiente circostante.** In questo modo si riduce il rischio di inciampare durante il funzionamento.
- **Non toccare le lame e altre parti in movimento pericolose mentre sono ancora in movimento.** In questo modo si riduce il rischio di lesioni dovute alle parti in movimento.
- **Durante la rimozione del materiale inceppato o la pulizia del tagliaerba, assicurarsi che tutti gli interruttori di corrente siano spenti e che il cavo di alimentazione sia scollegato.** L'azionamento imprevisto del tagliaerba può causare gravi lesioni personali.

Interruttore differenziale

- Utilizzare un interruttore differenziale con una corrente di intervento massima di 30 mA.

Istruzioni di sicurezza generali



AVVERTENZA: Leggere le seguenti avvertenze prima di utilizzare il prodotto.

- Questo prodotto è pericoloso se utilizzato in maniera impropria o se non si presta attenzione. La mancata osservanza delle istruzioni di sicurezza può causare lesioni anche fatali.
 - Durante il funzionamento, questo prodotto genera un campo elettromagnetico. Tale campo può interferire, in alcuni casi, con persone portatrici di impianti medici attivi o passivi. Per ridurre il rischio di condizioni che possono implicare lesioni gravi o mortali, i portatori di tali impianti devono consultare il proprio medico e il produttore dell'impianto prima di utilizzare questo prodotto.
 - Usare la massima cautela e il buon senso. Se non si è sicuri di come utilizzare il prodotto in una particolare situazione, fermarsi e rivolgersi al proprio rivenditore Husqvarna prima di continuare.
 - Tenere presente che l'operatore potrà essere ritenuto responsabile di eventuali incidenti che coinvolgano altre persone o i loro beni.
 - Tenere pulito il prodotto. Assicurarsi che sia possibile leggere chiaramente simboli e decalcomanie.
 - Non consentire mai l'uso dell'apparecchio a bambini o persone che non conoscono le presenti istruzioni. Alcune normative locali possono limitare l'età dell'operatore.
 - Controllare sempre qualsiasi persona, dalle capacità fisiche o mentali ridotte, che utilizzi il prodotto. È necessaria sempre la supervisione di un adulto responsabile.
 - Non utilizzare il prodotto quando si è stanchi, ammalati o sotto effetto di alcool, farmaci o medicinali. Essi potrebbero compromettere la vista, l'attenzione, il coordinamento e il giudizio.
- Se difettoso, non utilizzare il prodotto.
 - Non modificare il prodotto né utilizzarlo nel caso in cui vi sia la possibilità che sia stato modificato da altri.

Sicurezza sul lavoro



AVVERTENZA: Leggere le seguenti avvertenze prima di utilizzare il prodotto.

- Utilizzare il prodotto esclusivamente per tagliare il prato. Non è consentito utilizzare il prodotto per altri scopi.
- Usare sempre abbigliamento protettivo personale. Fare riferimento a *Dispositivi di protezione individuale alla pagina 279*.
- Assicurarsi di saper spegnere il motore rapidamente in caso di emergenza.
- Non utilizzare il prodotto con pioggia o umidità. Il rischio di scosse elettriche aumenta se l'acqua penetra nel prodotto.
- Non azionare il prodotto senza prima aver montato correttamente la lama e tutti i coperchi. Una lama non correttamente fissata potrebbe allentarsi e causare lesioni personali.
- Assicurarsi che la lama non urti oggetti quali pietre e radici. Ciò potrebbe provocare danni alla lama e piegare l'albero motore. Un asse piegato provoca forti vibrazioni e un alto rischio di allentamento della lama.
- Qualora la lama urti contro un oggetto o all'insorgere di vibrazioni arrestare immediatamente il prodotto. Arrestare il motore, ruotare la chiave di sicurezza su 0 e rimuovere la batteria. Attendere l'arresto delle parti mobili. Verificare la presenza di eventuali danni al prodotto. Serrare le parti allentate. Riparare e sostituire le parti danneggiate. Affidare la riparazione a una officina autorizzata.
- Non fissare l'impugnatura del freno motore in modo permanente al manubrio quando il motore è avviato.
- Posizionare il prodotto su una superficie piana e stabile e avviarlo. Assicurarsi che la lama non venga a contatto con il terreno o con altri oggetti.
- Collocarsi sempre posteriormente al prodotto quando lo si utilizza.
- Consentire a tutte le ruote di restare a contatto con il suolo e tenere le 2 mani sull'impugnatura mentre si aziona il prodotto. Tenere mani e piedi lontani dalle lame rotanti.
- Non inclinare il prodotto quando si avvia il motore o durante il funzionamento del prodotto.
- Prestare attenzione quando si tira il prodotto verso di sé.
- Non sollevare mai il prodotto a motore avviato. Se è necessario sollevare il prodotto, arrestare prima di tutto il motore, poi ruotare la chiave di sicurezza su 0 e rimuovere la batteria.

- Non camminare all'indietro quando si utilizza il prodotto.
- Arrestare il motore quando è necessario inclinare il prodotto per il trasporto o prima di spostarsi su aree senza erba, ad esempio percorsi di ghiaia, pietra e asfalto.
- Non correre con il prodotto quando il motore è acceso. Camminare sempre durante l'utilizzo del prodotto.
- Arrestare il motore prima di apportare qualsiasi modifica all'altezza di taglio. Non effettuare mai regolazioni quando il motore è acceso.
- Non perdere mai di vista il prodotto quando il motore è acceso. Arrestare il motore e assicurarsi che l'attrezzatura di taglio non giri.
- Le vibrazioni nel prodotto durante il funzionamento possono essere diverse dal valore delle vibrazioni dichiarato in *Dati tecnici alla pagina 290*. La differenza è causata da variazioni del modo in cui viene utilizzato il prodotto. Se utilizzate il prodotto frequentemente o per lunghi periodi di tempo, fate regolarmente delle pause per evitare lesioni dovute alle vibrazioni.

Istruzioni di sicurezza per il funzionamento

Dispositivi di protezione individuale



AVVERTENZA: Leggere le seguenti avvertenze prima di utilizzare il prodotto.

- L'uso di abbigliamento protettivo personale non elimina il rischio di lesioni, ma ne riduce la gravità in caso di incidente. Farsi consigliare dal rivenditore per la scelta dell'attrezzatura adatta.
- Utilizzare robusti stivali o scarpe antiscivolo. Non utilizzare il prodotto con calzature aperte o a piedi nudi.
- Utilizzare pantaloni lunghi di tessuto pesante.
- Indossare guanti protettivi ove necessario, ad esempio per montare, ispezionare o pulire l'attrezzatura di taglio.
- Si consiglia di utilizzare cuffie protettive.

Dispositivi di sicurezza sul prodotto



AVVERTENZA: Leggere le seguenti avvertenze prima di utilizzare il prodotto.

- Non utilizzare un prodotto con dispositivi di sicurezza difettosi.
- Non rimuovere o apportare modifiche ai dispositivi di sicurezza.
- Effettuare regolarmente un controllo dei dispositivi di sicurezza. Se i dispositivi di sicurezza sono difettosi, rivolgersi alla propria officina Husqvarna.

Controllo del coperchio di taglio

Il coperchio di taglio riduce le vibrazioni del prodotto e il rischio di ferirsi con la lama.

- Esaminare il coperchio di taglio per accertarsi che non presenti danni quali crepe.

Controllo della chiave di sicurezza

La chiave di sicurezza si trova sotto il coperchio della batteria. La chiave di sicurezza si collega alla batteria che alimenta il motore.

- Avviare e arrestare il motore per effettuare un controllo della chiave di sicurezza.
- Se la chiave di sicurezza funziona correttamente, il motore può avviarsi solo quando la chiave di sicurezza è in posizione 1. (Fig. 24)

Effettuare un controllo dell'impugnatura del freno motore

L'impugnatura del freno motore arresta il motore. Quando si rilascia l'impugnatura del freno motore, il motore si arresta.

- Avviare il prodotto. Fare riferimento a *Avviamento del prodotto alla pagina 283*.
- Rilasciare l'impugnatura del freno motore. (Fig. 25)
- Accertarsi che il prodotto si arresti. Se il motore non si arresta entro 3 secondi, far regolare il freno motore presso un'officina Husqvarna autorizzata.

Effettuare un controllo dell'inibitore di avviamento

Effettuare un controllo dell'inibitore di avviamento per accertarsi che impedisca il funzionamento del motore.

1. Spingere l'impugnatura del freno motore in direzione del manubrio. L'inibitore di avviamento arresta il movimento.
2. Tirare fuori l'inibitore di avviamento. (Fig. 26)
3. Rilasciare l'inibitore di avviamento e accertarsi che ritorni nella sua posizione iniziale.

Sicurezza batterie



AVVERTENZA: Leggere tutte le istruzioni generali e di sicurezza. La mancata osservanza delle istruzioni generali e di sicurezza può dare luogo a scosse elettriche, incendi e/o gravi lesioni. **Conservare tutte le informazioni sulla sicurezza e le istruzioni generali per riferimento futuro.**

- **Queste istruzioni di sicurezza si applicano solo alle batterie ricaricabili agli ioni di litio da 18 V per il sistema POWER FOR ALL.**
- **Utilizzare la batteria ricaricabile solo nei prodotti del partner del sistema POWER FOR ALL.** Le batterie ricaricabili da 18 V etichettate con la dicitura

POWER FOR ALL sono completamente compatibili con i seguenti prodotti:

– Tutti i prodotti del sistema a batteria POWER FOR ALL da 18 V.

– Tutti i prodotti da 18 V dei partner del sistema POWER FOR ALL.

- **Attenersi alle raccomandazioni sulla batteria riportate nel manuale d'uso del prodotto.** Solo in questo modo è possibile utilizzare la batteria ricaricabile e il prodotto senza pericolo e proteggere le batterie ricaricabili da sovraccarichi pericolosi.
- **Caricare le batterie utilizzando esclusivamente i caricabatterie consigliati dal produttore o dai partner del sistema POWER FOR ALL.** Un caricabatterie adatto a un tipo di batteria può comportare un rischio di incendio se viene utilizzato con una batteria diversa.
- **La batteria in dotazione è parzialmente carica.** Per assicurare la piena capacità della batteria, caricare completamente la batteria con il caricabatterie prima di utilizzare l'utensile per la prima volta.
- **Tenere le batterie fuori dalla portata dei bambini.**
- **Non aprire la batteria.** C'è il rischio di un cortocircuito.
- **In caso di danneggiamento e uso improprio della batteria, potrebbero essere emessi vapori. La batteria potrebbe infiammarsi o esplodere.**
Assicurarsi che l'area sia ben ventilata e rivolgersi a un medico in caso di effetti avversi. I vapori possono irritare il sistema respiratorio.
- **Se il prodotto viene utilizzato in modo errato o se la batteria è danneggiata, potrebbe fuoriuscire liquido infiammabile dalle batterie.** Evitare il contatto con questo liquido. Qualora il contatto avvenisse, lavare con acqua. Se il liquido entra in contatto con gli occhi, consultare un medico. Il liquido fuoriuscito dalla batteria potrebbe causare irritazioni o ustioni.
- **Se la batteria è danneggiata, il liquido può essere espulso e coprire le superfici circostanti. Controllare le parti interessate.** Pulire queste parti o cambiarle se necessario.
- **Non provocare il corto circuito della batteria.** Quando la batteria non viene utilizzata, tenerla lontana da altri oggetti metallici, come graffette, monete, chiavi, chiodi, viti o altri piccoli oggetti metallici che potrebbero consentire il collegamento tra i terminali. Provocare il cortocircuito dei terminali della batteria potrebbe causare ustioni o provocare un incendio.
- **La batteria può essere danneggiata da oggetti appuntiti come chiodi o cacciaviti o applicando forza esternamente.** Potrebbe verificarsi un cortocircuito interno, con conseguente incendio, fumo, esplosione o surriscaldamento della batteria.
- **Non riparare mai le batterie danneggiate.** Gli interventi sulle batterie dovrebbe essere eseguito solo dal produttore o da centri assistenza autorizzati.
- **Proteggere la batteria dal calore, ad esempio da luce solare intensa continua, fuoco, sporcizia, acqua e umidità.** C'è il rischio di esplosione e cortocircuito.

- **Utilizzare la batteria nel prodotto esclusivamente quando la temperatura ambiente è compresa nell'intervallo 0 °C – +40 °C.**
- **Conservare la batteria solo a una temperatura ambiente compresa nell'intervallo -20 °C – +50 °C.** Ad esempio, non lasciare la batteria nell'auto in estate. A temperature < 0 °C, per alcuni dispositivi potrebbero verificarsi perdite di potenza.
- **Caricare la batteria solo a una temperatura ambiente compresa nell'intervallo tra 0 °C – +35 °C. Caricare la batteria ricaricabile con un cavo USB solo a una temperatura ambiente compresa nell'intervallo tra +10 °C – +35 °C.** Ricaricare a una temperatura che non rientra in questo intervallo può aumentare il rischio di danni alla batteria e comportare un pericolo di incendio.

Sicurezza del caricabatterie



AVVERTENZA: Leggere tutte le istruzioni generali e di sicurezza. La mancata osservanza delle istruzioni generali e di sicurezza può dare luogo a scosse elettriche, incendi e/o gravi lesioni. **Conservare queste istruzioni in un luogo sicuro.** Utilizzare il caricabatterie solo se è possibile controllare tutte le funzioni ed eseguirle senza limitazioni o se sono state ricevute le istruzioni corrispondenti.

- **Questo caricabatterie non è destinato all'uso da parte di bambini o persone con limitazioni fisiche, sensoriali o mentali, oppure prive di esperienza o competenza.** Questo caricabatterie può essere utilizzato da bambini di età pari o superiore agli 8 anni e da persone con limitazioni fisiche, sensoriali o mentali, o con mancanza di esperienza o conoscenze se una persona responsabile della sicurezza li supervisiona o li ha istruiti adeguatamente sul funzionamento sicuro del caricatore e ne hanno compreso i pericoli associati. Altrimenti, vi è il rischio di problemi funzionali e lesioni.
- **Tenere sotto controllo i bambini durante l'uso, la pulizia e la manutenzione.** In questo modo i bambini non giocheranno con il caricatore.
- **Ricaricare esclusivamente batteria del sistema POWER FOR ALL da 18 V con una capacità di 1,5 Ah. La tensione della batteria deve corrispondere alla tensione indicata sul caricabatterie. Non ricaricare batterie non ricaricabili.** Altrimenti, vi è il rischio di incendio o esplosione.
- **Utilizzate il caricabatterie solo in ambienti chiusi e non esporlo all'umidità.** L'ingresso di acqua in un elettrotensile fa aumentare il rischio di scosse elettriche.
- **Tenere pulito il caricabatterie.** La sporcizia alimenta il rischio di scosse elettriche.
- **Controllare sempre il caricabatterie, il cavo e la spina prima dell'uso.** In caso di danni,

interrompete l'utilizzo del caricabatterie. Non aprire il caricabatterie da soli e farlo riparare solo da Husqvarna o da un centro di assistenza post-vendita autorizzato con parti di ricambio originali.

Caricabatterie, cavi e spine danneggiati aumentano il rischio di scosse elettriche.

- **Non utilizzare il caricabatterie su una superficie facilmente infiammabile (ad esempio carta, tessuti, ecc.) o in un ambiente infiammabile.** Rischio di incendio dovuto al riscaldamento del caricabatteria durante il funzionamento.
- **Non coprite le aperture di ventilazione del caricabatterie.** In caso contrario, il caricabatterie potrebbe surriscaldarsi e non funzionare più correttamente.
- **Ricaricare l'attrezzo esclusivamente utilizzando il caricabatterie specificato dal produttore.** L'utilizzo di una caricabatterie indicato per un altro tipo di batteria potrebbe provocare rischio di incendio.
- **In caso di danneggiamento e uso improprio della batteria, potrebbero anche essere emessi vapori.** Assicurarsi che l'area sia ben ventilata e rivolgersi a un medico in caso di effetti avversi. I vapori possono irritare il sistema respiratorio.
- **In condizioni non ottimali, la batteria potrebbe perdere liquido. Evitare il contatto con questo liquido. Qualora il contatto avvenisse, lavare con acqua. Se il liquido entra in contatto con gli occhi, consultare un medico.** Il liquido fuoriuscito dalla batteria potrebbe causare irritazioni o ustioni.
- **Prodotti venduti solo nel Regno Unito:** Il prodotto è dotato di una spina elettrica approvata BS 1363/a con fusibile interno (approvazione ASTA secondo BS 1362). Se la spina non è adatta per le prese elettriche in uso, è necessario staccarla e sostituirla con una corretta da parte di un addetto all'assistenza clienti autorizzato. La spina di ricambio deve avere lo stesso amperaggio del fusibile della spina originale. La spina staccata deve essere smaltita per evitare un possibile pericolo di scosse elettriche e non deve mai essere inserita in una presa di corrente diversa.

- Per evitare l'avviamento accidentale durante la manutenzione, ruotare la chiave di sicurezza su 0 e rimuovere la batteria. Attendere almeno 5 secondi prima di iniziare la manutenzione.
- Eseguire esclusivamente gli interventi di manutenzione riportati nel presente manuale operatore. Per operazioni più complesse e riparazioni professionali, rivolgersi a una officina autorizzata. Per ulteriori informazioni, rivolgersi all'officina più vicina.
- Eseguire gli interventi di manutenzione correttamente in modo da aumentare la durata di vita del prodotto e ridurre il rischio di incidenti.
- Sostituire le parti danneggiate, usurate o rotte. Utilizzare sempre parti di ricambio originali raccomandati dal produttore. Altri pezzi di ricambio possono danneggiare il prodotto e aumentare il rischio di incidenti.
- Per evitare lesioni, non rimuovere o apportare modifiche ai dispositivi di sicurezza.
- Indossare guanti per lavori pesanti quando si utilizza l'attrezzatura di taglio. La lama è molto affilata e ci si può ferire facilmente.
- Mantenere i bordi taglienti affilati e puliti per prestazioni più sicure e ottimali
- Far esaminare regolarmente il prodotto da un'officina per messe a punto e riparazioni necessarie.
- Rispettare le istruzioni per la sostituzione degli accessori. Utilizzare solo accessori del produttore.
- Quando non in uso, tenere il prodotto, la batteria e il caricabatterie lontano in un luogo all'interno, chiuso a chiave e asciutto. Assicurarsi che i bambini e le persone non autorizzate non abbiano accesso al prodotto, alla batteria o al caricabatterie.

Istruzioni di sicurezza per la manutenzione



AVVERTENZA: Leggere le seguenti avvertenze prima di utilizzare il prodotto.

Montaggio

Introduzione



AVVERTENZA: Prima di montare il prodotto, leggere il capitolo sulla sicurezza.



AVVERTENZA: Per evitare l'avviamento accidentale durante il montaggio, ruotare la chiave di sicurezza su 0, rimuovere la batteria e attendere almeno 5 secondi.

Regolazione dell'altezza dell'impugnatura

Il prodotto ha un'ampia possibilità di regolazione dell'altezza dell'impugnatura. L'altezza dell'impugnatura può essere impostata all'altezza desiderata tra 2 punti di regolazione.

1. Mettere il prodotto in posizione di funzionamento. Fare riferimento a *Fissaggio del prodotto in posizione di funzionamento alla pagina 282*.
2. Ruotare i pomelli di bloccaggio sul manubrio in senso antiorario. (Fig. 27)
3. Tirare il manubrio nella posizione desiderata.
4. Allineare i 2 manubri.



ATTENZIONE: Se il manubrio non è allineato, il prodotto potrebbe danneggiarsi.

5. Ruotare i pomelli di bloccaggio sul manubrio in senso orario.
6. Serrare a fondo i pomelli di bloccaggio superiori.

Per installare il raccoglierba

1. Sollevare il coperchio posteriore.
2. Rimuovere il tappo di pacciamatura.
3. Fissare il raccoglierba al bordo superiore del telaio.
4. Inserire la parte inferiore del raccoglierba nel canale di scarico dell'erba. (Fig. 28)



ATTENZIONE: Assicurarsi che il raccoglierba sia sigillato correttamente sul telaio del prodotto.

Per installare la spina pacciamatura

1. Sollevare il coperchio posteriore e rimuovere il raccoglierba.
2. Spingere la spina pacciamatura nel canale di scarico finché non si avverte uno scatto. (Fig. 29)

Installazione del gancio a parete

- Installare il gancio in un ambiente interno.
- Tenere il gancio lontano dalla luce solare e a una temperatura ambiente compresa tra -10°C e +70°C.
- Montare il gancio su una parete in cartongesso, legno o cemento.



ATTENZIONE: Assicurarsi che la parete possa sostenere carichi di almeno 30 kg.

- Installare il gancio alla parete con le 3 viti (A). Se necessario, utilizzare tasselli per parete (B). (Fig. 30)



ATTENZIONE: Assicurarsi che le viti siano adatte al tipo di parete.

- Contattare la propria officina Husqvarna per informazioni sugli accessori per lo stoccaggio disponibili per il prodotto.

Utilizzo

Introduzione



AVVERTENZA: Prima di utilizzare il prodotto, è necessario leggere e comprendere il capitolo relativo alla sicurezza.

Husqvarna Connect

Husqvarna Connect è un'app gratuita per i dispositivi mobili. L'app Husqvarna Connect fornisce funzioni estese per il prodotto Husqvarna:

- Informazioni aggiuntive sul prodotto.
- Dettagli, guida, parti del prodotto e manutenzione.

Primo utilizzo di Husqvarna Connect

1. Scaricare l'app Husqvarna Connect sul proprio dispositivo mobile.
2. Registrarsi nell'app Husqvarna Connect.
3. Seguire le istruzioni dell'app Husqvarna Connect per collegare e registrare il prodotto.

Nota: L'app Husqvarna Connect non è disponibile per il download in tutti i mercati. Rivolgersi al centro di assistenza per maggiori informazioni.

Fissaggio del prodotto in posizione di funzionamento

1. Ruotare le manopole del manubrio nella posizione di sblocco. (Fig. 31)
2. Piegate l'impugnatura fino a che non scatta in posizione. (Fig. 32)



ATTENZIONE: Assicurarsi che non vi sia troppa tensione nei cavi. Una tensione eccessiva può causare danni al cavo se l'impugnatura è piegata in posizione di trasporto.



AVVERTENZA: Assicurarsi che l'impugnatura sia completamente ripiegata verso l'alto e in posizione di blocco.

3. Regolare l'altezza dell'impugnatura. Fare riferimento a *Regolazione dell'altezza dell'impugnatura alla pagina 282*.

Impostazione dell'altezza di taglio

1. Per aumentare l'altezza di taglio, spingere la leva dell'altezza di taglio all'indietro.
2. Per diminuire l'altezza di taglio, spingere la leva dell'altezza di taglio in avanti. (Fig. 33)



ATTENZIONE: Non impostare l'altezza di taglio troppo in basso. Se la superficie del prato non è piana, le lame possono urtare il terreno.

Batteria



AVVERTENZA: Prima di utilizzare la batteria, leggere e comprendere il capitolo sulla sicurezza. È inoltre importante leggere e comprendere il manuale operatore della batteria e del caricabatterie.

Mantenere la batteria e il caricabatteria a una temperatura ambiente adeguata.

| | Temperatura ambiente |
|---|----------------------|
| Funzionamento della batteria del prodotto | 0 °C – +40 °C |
| Caricamento della batteria | 0 °C – +35 °C |

Ricarica della batteria

Caricare la batteria prima del primo utilizzo.

Nota: Il processo di carica è possibile solo quando la temperatura della batteria rientra nell'intervallo di temperatura di carica consentito (0–45 °C).

1. Collegare il cavo di alimentazione del caricabatteria ad una presa di corrente con messa a terra.



ATTENZIONE: Assicurarsi che la tensione e la frequenza dell'alimentazione di rete siano corrette.

2. Inserire la batteria nel caricabatteria. La batteria è collegata al caricabatteria quando il LED verde lampeggia. (Fig. 34)
3. La batteria è completamente carica quando il LED verde sul caricabatterie è acceso. Caricare la batteria per massimo 24 ore.
4. Scollegare il caricabatteria dalla presa di corrente.



ATTENZIONE: Non tirare il cavo di alimentazione.

5. Rimuovere la batteria dal caricabatterie.

LED di stato della batteria sul caricabatterie

Il LED rosso (A) e il LED verde (B) sul caricabatteria mostrano lo stato della batteria. Fare riferimento a *Risoluzione dei problemi del caricabatterie alla pagina 286*.

(Fig. 35)

| LED | Stato della batteria |
|-------------------------------------|---|
| Il LED verde lampeggia rapidamente. | La batteria si sta ricaricando. |
| Il LED verde lampeggia lentamente | La carica della batteria è all'80%. |
| Il LED verde è acceso. | La batteria è completamente carica. |
| Il LED rosso è acceso. | Fare riferimento a <i>Risoluzione dei problemi del caricabatterie alla pagina 286</i> . |
| Il LED rosso lampeggia rapidamente. | Fare riferimento a <i>Risoluzione dei problemi del caricabatterie alla pagina 286</i> . |

LED di stato della batteria sul prodotto

Quando la batteria è installata nel prodotto, i LED sul prodotto mostrano lo stato della batteria.

(Fig. 36)

| LED | Stato della batteria |
|-----------------------------|--|
| I LED 1, 2 e 3 sono accesi. | Completamente carica. |
| I LED 1 e 2 sono accesi. | Carica sufficiente |
| LED 1 acceso. | La potenza della batteria è bassa. |
| Il LED 1 lampeggia | La batteria è scarica. L'indicatore di stato della batteria lampeggia. Caricare la batteria. Fare riferimento a <i>Ricarica della batteria alla pagina 283</i> . |

Avviamento del prodotto

1. Aprire il coperchio della batteria.
2. Inserire una batteria carica nel vano batteria.

3. Ruotare la chiave di sicurezza su 1. (Fig. 37)
4. Collocarsi dietro il prodotto.
5. Allentare l'inibitore dell'avviamento. (Fig. 26)
6. Spingere l'impugnatura del freno motore in direzione del manubrio. (Fig. 38)

Funzione carico elevato

Quando il prodotto taglia erba lunga o umida, il motore aumenta automaticamente i giri/min. Il motore torna alla modalità standard quando il carico elevato non è necessario.

Stallo del motore

Durante il funzionamento, la lama e il motore possono arrestarsi temporaneamente a causa di ostacoli come ad esempio l'ostruzione dell'erba sotto il coperchio di taglio. Fare riferimento a *Per pulire il prodotto alla pagina 285*.



AVVERTENZA: Prima di controllare il coperchio di taglio, rilasciare la maniglia del freno motore, ruotare la chiave di sicurezza su 0, rimuovere la batteria e attendere almeno 5 secondi. Se l'ostacolo viene rimosso e il prodotto si avvia accidentalmente, sussiste il rischio di lesioni.

Arresto del prodotto



AVVERTENZA: Ruotare la chiave di sicurezza in posizione 0 prima di lasciare incustodito il prodotto.

1. Rilasciare l'impugnatura del freno motore per arrestare il motore. (Fig. 39)
2. Aprire il coperchio della batteria e ruotare la chiave di sicurezza in posizione 0. (Fig. 40)
3. Per rimuovere la batteria, premere i pulsanti di rilascio ed estrarre la batteria. (Fig. 41)
4. Caricare la batteria se è debole. Per ulteriori informazioni, fare riferimento a *Ricarica della batteria alla pagina 283*.

Per ottenere un buon risultato

- Utilizzare sempre una lama ben affilata. Una lama non tagliente fornisce un risultato irregolare e la superficie di taglio dell'erba ingiallisce. Una lama affilata inoltre consuma minore energia di una lama affilata.
- Non tagliare più di $\frac{1}{4}$ dell'altezza dell'erba. Iniziare l'operazione di taglio impostando l'altezza di taglio su un livello alto. Esaminare il risultato e ridurre l'altezza di taglio al livello applicabile. Se l'erba è molto alta, procedere lentamente e tagliarla 2 volte, se necessario.
- Tagliare sempre in direzioni diverse per evitare il formarsi di strisce sul prato.
- Mantenere pulito il coperchio di taglio. L'accumulo di erba e sporizia sul lato interno del coperchio di taglio può ridurre il risultato del taglio. Fare riferimento a *Per pulire il prodotto alla pagina 285*.

Manutenzione

Introduzione



AVVERTENZA: Prima di svolgere la manutenzione, leggere e comprendere il capitolo relativo alla sicurezza.

Per tutti gli interventi di assistenza e riparazione sul prodotto, è necessaria una formazione specifica. La nostra azienda garantisce la disponibilità di personale qualificato per le riparazioni e l'assistenza. Se non avete acquistato il prodotto presso un rivenditore dotato di officina, informatevi sull'ubicazione della più vicina officina autorizzata.

Per ulteriori informazioni dettagliate, fare riferimento a www.husqvarna.com.

Programma di manutenzione

Gli intervalli di manutenzione sono calcolati sulla base di un uso quotidiano del prodotto. Gli intervalli cambiano se il prodotto non viene usato quotidianamente.

Per gli interventi di manutenzione contrassegnati con il simbolo *, vedere le istruzioni in *Sicurezza alla pagina 275*.

| | A ciascun utilizzo | Una volta al mese | Ogni stagione |
|-----------------------------------|--------------------|-------------------|---------------|
| Effettuare un'ispezione generale. | X | | |
| Pulire il prodotto. | X | | |

| | A ciascun utilizzo | Una volta al mese | Ogni stagione |
|--|--------------------|-------------------|---------------|
| Eseguire un controllo dell'inibitore di avviamento. * | X | | |
| Assicurarsi che i dispositivi di sicurezza del prodotto non siano difettosi. * | X | | |
| Controllare l'attrezzatura di taglio. | X | | |
| Controllare il coperchio di taglio. * | X | | |
| Controllare la leva del freno motore. * | X | | |
| Controllare la presenza di eventuali danni alla batteria. | X | | |
| Effettuare un controllo dello stato di carica della batteria. | X | | |
| Assicurarsi che il pulsante di sbloccaggio sulla batteria funzioni correttamente e che blocchi la batteria all'interno del prodotto. | X | | |
| Controllare che il caricabatterie non sia danneggiato e che funzioni correttamente. | | X | |
| Controllare i collegamenti tra la batteria e il prodotto. Controllare anche il collegamento tra la batteria e il caricabatterie. | | | X |

Per effettuare un'ispezione generale

- Controllare che tutti i dadi e le viti del prodotto siano ben serrati.
- Accertarsi che i cavi del prodotto non sono in una posizione in cui possono danneggiarsi.

Per pulire il prodotto

- Pulire le parti in plastica con un panno pulito e asciutto.
- Non utilizzare acqua per pulire il prodotto. L'acqua può penetrare nella batteria o nel motore e causare un corto circuito o danni al prodotto.
- Non utilizzare una lancia ad alta pressione per pulire il prodotto.
- Non dirigere getti d'acqua sul motore.
- Utilizzare una spazzola per rimuovere foglie, erba e sporcizia.

Per pulire la batteria e il caricabatterie



AVVERTENZA: Non pulire la batteria o il caricabatterie con acqua.



AVVERTENZA: Non utilizzare sostanze chimiche per pulire la batteria.

- Accertarsi che la batteria e il caricabatterie siano puliti e asciutti prima di inserire la batteria nel caricabatterie.
- Pulire i terminali della batteria con aria compressa o con un panno morbido e asciutto.

- Pulire le superfici della batteria e del caricabatterie con un panno morbido e asciutto.

Per controllare l'attrezzatura di taglio



AVVERTENZA: Per evitare l'avviamento accidentale, ruotare la chiave di sicurezza su 0, rimuovere la batteria e attendere almeno 5 secondi.



AVVERTENZA: Indossare guanti protettivi quando si esegue la manutenzione dell'attrezzatura di taglio. La lama è molto affilata e ci si può ferire facilmente.

1. Controllare l'attrezzatura di taglio per individuare danni o crepe. Sostituire sempre l'attrezzatura di taglio danneggiata.
2. Osservare la lama per controllare che non sia danneggiata o usurata.

Nota: Dopo l'affilatura la lama deve essere bilanciata. Rivolgersi a un centro assistenza per l'affilatura, la sostituzione e il bilanciamento. Se si urta un ostacolo che provoca l'arresto del prodotto, sostituire la lama danneggiata. Il centro di assistenza può valutare se la lama può essere affilata o deve essere sostituita.

Per sostituire la lama

Fare riferimento a *Dati tecnici alla pagina 290* per il tipo di lama corretto.



AVVERTENZA: Bloccare la lama con un blocco di legno per evitare lesioni alle dita durante la sostituzione della lama. La lama può essere spostata quando il motore è spento e le dita possono rimanere intrappolate tra la lama e le parti fisse.

1. Bloccare la lama con un blocco di legno. (Fig. 42)
2. Rimuovere il bullone della lama.
3. Rimuovere la lama.
4. Esaminare il supporto e il bullone della lama per verificare la presenza di eventuali danni.
5. Esaminare l'albero motore per accertarsi che non sia piegato.
6. Quando si fissa la nuova lama, assicurarsi che le estremità inclinate della lama puntino in direzione del coperchio di taglio. (Fig. 43)

7. Assicurarsi che la lama sia allineata con il centro dell'albero motore.
8. Bloccare la lama con un blocco di legno. Inserire la rondella reggispinta e serrare il bullone e la rondella a una coppia di 23-28 Nm. (Fig. 44)
9. Girare manualmente la lama per verificare che possa ruotare liberamente.



AVVERTENZA: Utilizzare dei guanti da lavoro spessi. La lama è molto affilata e ci si può ferire facilmente.

10. Avviare il prodotto per eseguire una prova della lama. Se la lama non è collegata correttamente, si verificano delle vibrazioni nel prodotto o il risultato del taglio è insoddisfacente.

Ricerca guasti

Risoluzione dei problemi del caricabatterie

| LED del caricabatterie | Causa | Soluzione |
|---|--|--|
| Il LED verde è acceso e il LED rosso lampeggia. | La batteria non è inserita correttamente nel caricabatterie. | Staccare la batteria dal caricabatteria e collegarla nuovamente al caricabatteria. |
| | I connettori della batteria sono sporchi. | Pulire i connettori della batteria. |
| | Il caricabatterie ha identificato un errore interno. | Assicurarsi che tutte le batterie siano inserite completamente. Rimuovere la spina di alimentazione e reinserirla. Se l'errore si verifica di nuovo, far controllare il caricabatteria da un centro di assistenza post-vendita autorizzato per i prodotti Husqvarna. |
| | La batteria è difettosa. | Sostituire la batteria. |
| Il LED rosso è acceso e il LED verde è spento. | La temperatura della batteria non rientra nell'intervallo di carica. | Attendere che la temperatura della batteria rientri nell'intervallo di temperatura di carica consentito (0-45°C). |
| Il LED verde e il LED rosso sono spenti. | Il caricabatterie non è collegato correttamente alla presa di corrente. | Collegare il caricabatterie a una presa di rete. |
| | Presa di alimentazione difettosa. | Collegare il caricabatterie alla tensione e alla frequenza indicate sulla targhetta dati di funzionamento. |
| | Il cavo del caricabatterie è difettoso. | Rivolgersi a un tecnico dell'assistenza autorizzato. |
| | Il caricabatterie è difettoso. | |
| Altri errori. | Se si verificano altri errori, assicurarsi che il prodotto sia spento, rimuovere la batteria e rivolgersi a un centro di assistenza autorizzato. | |

Ricerca guasti del tagliaerba

La spia (LED di errore) si trova sul retro del prodotto, dietro il coperchio della batteria.

| Problema | LED di errore (numero di lampeggi) | Causa | Soluzione |
|---|---|--|---|
| Il LED di errore lampeggia. Il prodotto non funziona correttamente. | 5 | La lama è bloccata. | Portare la chiave di sicurezza su 0 per evitare l'avviamento accidentale. Rimuovere la batteria e attendere almeno 5 secondi. Rimuovere eventuali ostacoli e accertarsi che la lama possa ruotare liberamente. Se il problema persiste, contattare un'officina autorizzata. |
| | | La velocità del motore diminuisce eccessivamente e il motore si arresta. | Aumentare l'altezza di taglio. Fare riferimento a <i>Impostazione dell'altezza di taglio alla pagina 283</i> . |
| | 10 | Il comando del motore è troppo caldo. | Arrestare il motore e attendere che si raffreddi. |
| Il LED di errore lampeggia. Il prodotto si arresta. | 22 | La temperatura della batteria è troppo alta perché la temperatura nell'ambiente di lavoro è troppo alta. | Rimuovere la batteria dalla macchina e attendere che si raffreddi prima di riavviare la macchina. Assicurarsi che la temperatura ambiente sia corretta. Utilizzare la batteria a temperature comprese tra 0 °C e +40 °C. Se il problema persiste, rivolgersi a un addetto all'assistenza autorizzato. |
| | | La temperatura della batteria è troppo alta a causa di un sovraccarico nel motore | Aumentare l'altezza di taglio. Fare riferimento a <i>Impostazione dell'altezza di taglio alla pagina 283</i> . Se il problema persiste, contattare un'officina autorizzata. |
| | 0 | Guasto del connettore della batteria. | Esaminare il connettore della batteria. |
| | 3 | Vi è un sovraccarico nel motore. | Aumentare l'altezza di taglio. Fare riferimento a <i>Impostazione dell'altezza di taglio alla pagina 283</i> . |
| | 9 | Errore batteria o nessun segnale dalla batteria. | Inserire correttamente la batteria nel prodotto e controllare il connettore della batteria. Se il LED di errore della batteria lampeggia, fare riferimento a <i>Risoluzione dei problemi del caricabatterie alla pagina 286</i> . Se il problema persiste, contattare un'officina autorizzata. |
| | 8 | La batteria è scarica. | Caricare la batteria. Fare riferimento a <i>Ricarica della batteria alla pagina 283</i> . |
| | 12 | Procedura di avviamento non corretta. L'impugnatura del freno motore è stata innestata prima dell'avviamento del motore. | Rilasciare l'impugnatura del freno motore e attendere circa 5 secondi. Spingere nuovamente verso il basso l'impugnatura del freno motore per avviare il prodotto. |
| Altri errori. | Se si verificano altri errori, ruotare la chiave di sicurezza su 0, rimuovere la batteria e rivolgersi a un'officina autorizzata. | | |

Trasporto, stoccaggio e smaltimento

Introduzione



AVVERTENZA: Per evitare l'avviamento accidentale durante il trasporto e la conservazione, ruotare la chiave di sicurezza su 0, rimuovere la batteria e attendere almeno 5 secondi.

Disposizione del prodotto in posizione di trasporto

1. Rimuovere il raccogliherba e assicurarsi che sia vuoto.
2. Ruotare i pomelli di bloccaggio sull'impugnatura in senso antiorario fino alla posizione di sblocco. (Fig. 45)
3. Spingere l'impugnatura nella direzione del coperchio posteriore.
4. Ruotare i pomelli di bloccaggio sull'impugnatura in senso orario fino alla posizione di blocco.
5. Ruotare le manopole del manubrio nella posizione di sblocco. (Fig. 46)
6. Piegarlo l'impugnatura verso il basso finché non si avverte un clic. (Fig. 47)

Fare riferimento a *Per sistemare il prodotto in posizione di conservazione alla pagina 289* per riporre il prodotto.

Trasporto

- I requisiti di legge sulle merci pericolose si applicano alle batterie agli ioni di litio incluse.
- Rispettare i requisiti speciali riportati sulla confezione e sulle etichette per il trasporto commerciale.
- Durante la preparazione al trasporto del prodotto, attenersi alle normative relative ai materiali pericolosi. Possono essere in vigore alcune normative locali.
- Rimuovere sempre la batteria per il trasporto.
- Applicare del nastro sui connettori della batteria e assicurarsi che la batteria rimanga fissa in posizione durante il trasporto.
- Fissare il prodotto durante il trasporto.

Stoccaggio

- Prima di riporre il prodotto, lasciarlo raffreddare.
- Rimuovere sempre la batteria per la conservazione.
- Per evitare incidenti, assicurarsi che la batteria non sia collegata al prodotto una volta riposto.
- Conservare il caricabatterie in un ambiente chiuso e asciutto.
- Conservare la batteria e il caricabatterie in un luogo asciutto, privo di umidità e protetto dal gelo.

- Scollegare la batteria dal caricabatterie durante lo stoccaggio.
- Non conservare la batteria in aree elettricamente statiche. Non conservare mai la batteria in una scatola di metallo.
- Conservare il prodotto a una temperatura ambiente compresa tra -20 °C e +50 °C.
- Conservare la batteria a una temperatura ambiente compresa tra -20 °C e +50 °C e non esposta alla luce del sole.
- Conservare il caricabatteria in un luogo asciutto, al chiuso e protetto dal gelo.
- Accertarsi che la batteria sia pulita e carica prima di riporla per lunghi periodi.
- Conservare il prodotto, la batteria e il caricabatterie in un luogo chiuso a chiave, fuori dalla portata di bambini e di persone non autorizzate.
- Pulire il prodotto e assicurarsi che il raccogliherba sia vuoto.
- Eseguire gli interventi di manutenzione riportati nel presente manuale operatore. Fare riferimento a *Manutenzione alla pagina 284*.
- Eseguire una manutenzione completa prima di riporre il prodotto per lunghi periodi.

Per sistemare il prodotto in posizione di conservazione



AVVERTENZA: Per evitare l'avviamento accidentale durante il trasporto e la conservazione, ruotare la chiave di sicurezza su 0, rimuovere la batteria e attendere almeno 5 secondi.

1. Rimuovere la batteria.
2. Predisporre il prodotto in posizione di trasporto. Fare riferimento a *Disposizione del prodotto in posizione di trasporto alla pagina 289*.
3. Portare il prodotto dove si desidera conservarlo.

Per conservare il prodotto orizzontalmente sul terreno

1. Predisporre il prodotto in posizione di conservazione. Fare riferimento a *Per sistemare il prodotto in posizione di conservazione alla pagina 289*.
2. Collegare il raccogliherba. Fare riferimento a *Per collegare il raccogliherba alla pagina 290*.
3. Sistemare il prodotto orizzontalmente sul terreno. (Fig. 48)

Per conservare il prodotto verticalmente sul terreno

1. Predisporre il prodotto in posizione di conservazione. Fare riferimento a *Per sistemare il prodotto in posizione di conservazione alla pagina 289*.
2. Sollevare il prodotto dai punti di sollevamento sull'impugnatura e appoggiarlo verticalmente su una superficie piana. (Fig. 49)



AVVERTENZA: Non sollevare il prodotto dal coperchio di taglio. La lama è molto affilata e ci si può ferire facilmente.

3. Collegare il raccoglierba. Fare riferimento a *Per collegare il raccoglierba alla pagina 290*.
4. Assicurarsi che il prodotto sia stabile e che le 2 gambe di supporto tocchino il pavimento.
5. Posizionare il prodotto verticalmente sul terreno. (Fig. 50)

Per riporre il prodotto verticalmente sul gancio in dotazione



AVVERTENZA: Appendere il prodotto alla parete solo con il gancio in dotazione.

1. Installare il gancio in dotazione. Fare riferimento a *Installazione del gancio a parete alla pagina 282*.
2. Predisporre il prodotto in posizione di conservazione. Fare riferimento a *Per sistemare il prodotto in posizione di conservazione alla pagina 289*.
3. Sollevare il prodotto dai punti di sollevamento sull'impugnatura. (Fig. 49)



AVVERTENZA: Non sollevare il prodotto dal coperchio di taglio. La

lama è molto affilata e ci si può ferire facilmente.

4. Appendere il prodotto verticalmente sul gancio in dotazione. Fare riferimento a *Installazione del gancio a parete alla pagina 282*. (Fig. 51)
5. Assicurarsi che il prodotto sia appeso correttamente e stabile sulle 2 aste del gancio.
6. Collegare il raccoglierba. Fare riferimento a *Per collegare il raccoglierba alla pagina 290*.

Per collegare il raccoglierba

1. Fissare il dispositivo di aggancio alla scanalatura sulla parte anteriore del prodotto. (Fig. 52)
2. Spingere la parte inferiore del dispositivo di aggancio contro il punto di sollevamento fino a sentire uno scatto. (Fig. 53)

Smaltimento

I simboli sul prodotto o sull'imballaggio indicano che il presente prodotto non può essere trattato come rifiuto domestico. Deve essere portato presso un centro di raccolta specializzato nel recupero di apparecchiature elettriche ed elettroniche.

Trattando questo prodotto correttamente, si contribuisce a contrastare il potenziale impatto negativo sull'ambiente e sulle persone che può altrimenti sortire da una gestione impropria del prodotto come rifiuto. Per informazioni più dettagliate sul riciclaggio di questo prodotto, contattare l'autorità municipale, il servizio rifiuti domestici o il punto vendita in cui è stato acquistato. (Fig. 54)

Solo per i paesi UE: In base alla direttiva 2006/66/CE, le batterie difettose o usate devono essere raccolte separatamente e smaltite nel rispetto dell'ambiente.

Solo per il Regno Unito: In base alle normative sui rifiuti di batterie e accumulatori del 2009 (SI 2009/890) (e successive modifiche), le batterie non più utilizzabili devono essere raccolte separatamente e smaltite nel rispetto dell'ambiente.

Dati tecnici

Dati tecnici

| | Aspire LC34-P4A |
|--|-------------------------------|
| Motore di taglio | |
| Tipo di motore | BLDC (senza spazzole) da 18 V |
| Velocità del motore – Nominale, giri/min | 3000 |
| Velocità del motore - Carico elevato, giri/min | 3500 |
| Potenza del motore - max kW | 0,7 |
| Potenza del motore - Nominale, kW | 0,5 |

| | |
|--|------------------------|
| | Aspire LC34-P4A |
| Motore di azionamento | |
| Potenza del motore - Nominale, kW | N/D |
| Velocità conduzione automatica, km/h | N/D |
| Livelli di regolazione della velocità | N/D |
| Peso | |
| Peso senza sacchetto (batteria esclusa), kg | 11,5 |
| Peso con sacchetto (incl 1x P4A 18-B72), kg | 13,5 |
| Batteria | |
| Tipo di batteria | ioni di litio |
| Prestazione della batteria | |
| Tempo di utilizzo della batteria, min, ⁴⁹ | 60 |
| Emissioni di rumore ⁵⁰ | |
| Livello di potenza acustica, misurato dB(A) | 86 |
| Livello acustico, garantito L _{WA} dB(A) | 87 |
| Livelli di rumorosità ⁵¹ | |
| Livello di pressione acustica all'orecchio dell'operatore, dB(A) | 74 |
| Livelli di vibrazioni ⁵² | |
| Impugnatura, m/s ² | 0,5 |
| Attrezzatura di taglio | |
| Altezza di taglio, mm | 30-65 |
| Larghezza di taglio, cm | 34 |
| Standard lama | Combi 5375561-10 |
| Accessorio lama | N/D |
| Capacità del sacco raccoglierba, l | 30 |

Batterie approvate

Questo prodotto può funzionare con tutte le batterie **POWER FOR ALL**. Per prestazioni ottimali si consiglia di utilizzare batterie con un minimo di 4,0 Ah.

| Batteria | P4A 18-B45 | P4A 18-B72 |
|-----------------|-------------------|-------------------|
| Tipo | ioni di litio | ioni di litio |

⁴⁹ (funzionamento libero) con modalità standard attivata, con una batteria Husqvarna da 4,0 Ah (P4A 18-B72).

⁵⁰ Emissioni di rumore nell'ambiente misurate come potenza sonora (L_{WA}) in base alla direttiva CE 2000/14/CE.

⁵¹ I dati riportati per il livello di pressione acustica presentano un fattore di incertezza di 1,5 dB(A).

⁵² I dati riportati per il livello di vibrazione presentano un fattore di incertezza di 1,5 m/s². Il valore totale dichiarato relativo alle vibrazioni è stato misurato in conformità allo standard EN 62841-4-3 Allegato I e può essere utilizzato per confrontare le macchine e in una valutazione preliminare dell'esposizione.

| Batteria | P4A 18-B45 | P4A 18-B72 |
|---------------------------------|-------------------|-------------------|
| Capacità batteria, Ah | 2,5 | 4,0 |
| Tensione nominale, V | 18 | 18 |
| Peso, kg | 0,35 | 0,65 |
| Numero di celle (ioni di litio) | 5 | 10 |

Caricabatterie omologati

| Caricabatteria | P4A 18-C70 |
|------------------------|-------------------|
| Tensione di entrata, V | 220-240 |
| Frequenza, Hz | 50-60 |
| Potenza, W | 70 |

Dichiarazione di conformità

Dichiarazione di conformità UE

Husqvarna AB, SE-561 82 Huskvarna, Svezia, tel.:
+46-36-146500, dichiara sotto la propria esclusiva
responsabilità che il prodotto indicato:

| | |
|------------------------|--|
| Descrizione | Tagliaerba |
| Marchio | Husqvarna |
| Tipo / Modello | Aspire LC34-P4A |
| Identificazione | Numeri di serie a partire da 2022 e successivi |

È pienamente conforme alle seguenti norme e direttive
UE:

| Regolamento | Descrizione |
|--------------------|--|
| 2006/42/CE | "sulle macchine" |
| 2014/30/UE | "sulla compatibilità elettromagnetica" |
| 2000/14/CE | "sull'emissione di rumore nell'ambiente" |
| 2011/65/UE | "sulle restrizioni dell'uso di determinate sostanze pericolose nelle apparecchiature elettriche ed elettroniche" |

e che sono applicati gli standard e/o le specifiche tecniche seguenti: EN 62841-1:2015/AC:2015, EN IEC 62841-4-3:2021/A11:2021, EN ISO 12100:2010, EN 55014-1:2021, EN 55014-2:2021, EN IEC 61000-6-2:2019, EN IEC 61000-6-3:2021, EN IEC 63000:2018

Organo competente: 0404, RISE SMP Svensk Maskinprovning AB, Box 4053, SE-904 03 Umeå, Sweden ha certificato la conformità alla Direttiva del Consiglio 2000/14/CE, procedura di valutazione della conformità: Allegato VI

Per informazioni sulle emissioni acustiche, fare riferimento a *Dati tecnici alla pagina 290*.

Huskvarna, 2022-10-24



Claes Lossdal, Responsabile sviluppo/Prodotti da giardino, Husqvarna AB

Responsabile della documentazione tecnica



Copyright © 2012–2020 STMicroelectronics

La garanzia non copre i difetti derivanti da normale usura, incuria, uso errato, riparazioni non autorizzate o collegamento dell'apparecchio di aspirazione a una tensione di alimentazione errata.

Tutti i diritti riservati.

La ridistribuzione e l'uso in formato sorgente e binario, con o senza modifiche, sono consentiti a condizione che siano soddisfatte le seguenti condizioni:

- Le ridistribuzioni del codice sorgente devono contenere l'avviso di copyright sopra riportato, il presente elenco di condizioni e la dichiarazione di non responsabilità riportata di seguito.
- Le ridistribuzioni in formato binario devono contenere l'avviso di copyright sopra riportato, il presente elenco di condizioni e la dichiarazione di non responsabilità riportata di seguito nella documentazione e/o in altri materiali forniti con la distribuzione.
- Né il nome di STMicroelectronics né i nomi dei suoi collaboratori possono essere utilizzati per raccomandare o promuovere prodotti derivati da questo software senza previa autorizzazione scritta specifica.

IL SOFTWARE È FORNITO DAI TITOLARI DEL COPYRIGHT E DAI COLLABORATORI "COSÌ COM'È" E SI DECLINA LA RESPONSABILITÀ PER QUALSIASI GARANZIA ESPRESSA O IMPLICITA, INCLUSE, MA NON SOLO, LE GARANZIE IMPLICITE DI COMMERCIALIZZABILITÀ E IDONEITÀ PER UNO SCOPO SPECIFICO. IN NESSUN CASO IL PROPRIETARIO DEL COPYRIGHT O I COLLABORATORI SARANNO RESPONSABILI PER EVENTUALI DANNI DIRETTI, INDIRETTI, INCIDENTALI, SPECIALI, ESEMPLARI O CONSEGUENZIALI (INCLUSI, MA NON LIMITATI A, FORNITURA DI BENI O SERVIZI SOSTITUTIVI; MANCATO UTILIZZO, PERDITA DI DATI O PROFITTI; INTERRUZIONE DELL'ATTIVITÀ) IMPUTABILI A QUALUNQUE CAUSA E INDIPENDENTEMENTE DA QUALSIASI CRITERIO DI RESPONSABILITÀ, SIA PREVISTO NEL CONTRATTO CHE RELATIVO A RESPONSABILITÀ OGGETTIVA O A UN ATTO ILLECITO (COMPRESA NEGLIGENZA O ALTRO) DERIVANTI IN QUALSIASI MODO DALL'USO DEL PRESENTE SOFTWARE, ANCHE SE INFORMATI DELLA POSSIBILITÀ DI TALI DANNI.

Licenza Apache 2.0

Copyright © 2009-2019 Arm Limited. Tutti i diritti riservati.

Versione 2.0, gennaio 2004 <http://www.apache.org/licenses/>

TERMINI E CONDIZIONI PER L'USO, LA RIPRODUZIONE E LA DISTRIBUZIONE

1. Definizioni.

Per "**licenza**" si intendono i termini e le condizioni per l'uso, la riproduzione e la distribuzione definiti dalle sezioni da 1 a 9 del presente documento. Per "**concessore della licenza**" si intende il proprietario del copyright o l'entità autorizzata dal proprietario del copyright che concede la licenza. Per "**entità giuridica**" si intende l'insieme dell'entità agente e di tutte le altre entità che controllano, sono controllate da o sono sotto il controllo comune di tale entità. Ai fini della presente definizione, per "**controllo**" si intende (i) il potere, diretto o indiretto, di dirigere o gestire tale entità, per diritto contrattuale o altrimenti stabilito, o (ii) il possesso del cinquanta per cento (50%) o più delle azioni in circolazione, o (iii) la proprietà effettiva di tale entità. "**Utente**" (o "**dell'utente**") si riferisce a una persona fisica o un'entità giuridica che esercita le autorizzazioni concesse dalla presente licenza. Per formato "**sorgente**" si intende il formato prescelto per apportare modifiche, incluse, ma non limitate a, il codice sorgente del software, la sorgente della documentazione e i file di configurazione. Per formato "**oggetto**" si intende qualsiasi formato derivante dalla trasformazione meccanica o dalla traduzione di un formato sorgente, inclusi, a titolo esemplificativo ma non esaustivo, il codice oggetto compilato, la documentazione generata e le conversioni in altri tipi di file multimediali. Per "**opera**" si intende l'opera d'autore, in formato sorgente o oggetto, resa disponibile dalla licenza come indicato da un avviso di copyright incluso o allegato all'opera (ad esempio l'Appendice riportata di seguito). Per "**opere derivate**" si intende qualsiasi opera, in formato sorgente o oggetto, basata sull'opera (o da essa derivata) e per cui le revisioni, le annotazioni, le elaborazioni redazionali o altre modifiche costituiscono, nel complesso, un'opera originale dell'autore. Ai fini della presente licenza, la definizione di "opere derivate" non include le opere che sono separabili da, o quelle solo collegate (o associate per nome) alle interfacce dell'opera e delle opere derivate. Per "**contributo**" si intende qualsiasi opera d'autore, compresa la versione originale dell'opera e qualsiasi modifica o aggiunta a tale opera o alle opere derivate, intenzionalmente sottoposta al concessore della licenza per essere inclusa nell'opera dal proprietario del copyright, o da una persona fisica o entità giuridica autorizzata a sottoporla per suo conto. Ai fini della presente definizione, per "**sottoposta**" si intende l'invio tramite qualsiasi forma di comunicazione elettronica, verbale o scritta inviata al concessore della licenza o ai suoi rappresentanti, inclusa, a titolo esemplificativo ma non esaustivo, la comunicazione tramite mailing-list, sistemi di controllo del codice sorgente e sistemi di rilevamento dei problemi gestiti dal concessore della licenza, o per suo conto, allo scopo di discutere e migliorare l'opera stessa. Da tale definizione è esclusa la comunicazione chiaramente contrassegnata, o indicata in un altro modo per iscritto, dal proprietario del copyright come "**non un contributo**".

Per "**collaboratore**" si intende il conceditore della licenza e qualsiasi persona fisica o entità giuridica per conto della quale il conceditore della licenza ha ricevuto un contributo che ha successivamente integrato nell'opera.

2. Concessione della licenza di copyright.

In base ai termini e alle condizioni di questa licenza, ciascun collaboratore con la presente concede all'utente la licenza di copyright a tempo indeterminato, valida a livello mondiale, non esclusiva, gratuita, esente da royalty e irrevocabile che dà il diritto di riprodurre, preparare le opere derivate, visualizzare e utilizzare pubblicamente, concedere in licenza a terzi e distribuire l'opera e le opere da essa derivate in formato sorgente o oggetto.

3. Concessione della licenza di brevetto.

In base ai termini e alle condizioni di questa licenza, ciascun collaboratore con la presente concede all'utente una licenza di brevetto a tempo indeterminato, valida a livello mondiale, non esclusiva, gratuita, esente da royalty e irrevocabile (salvo quanto stabilito nella presente sezione) che dà il diritto di produrre, far produrre, utilizzare, offrire in vendita, vendere, importare e trasferire in altro modo l'opera, laddove tale licenza si applica solo a quelle rivendicazioni di brevetti cedibili in licenza dal collaboratore che sono violati inevitabilmente da uno o più dei suoi contributi all'opera per cui tali contributi sono stati inviati. Se l'utente istituisce un contenzioso sui brevetti nei confronti di un'entità (compreso un ricorso incidentale o un riconvenzionale in una causa) dichiarando che l'opera o un contributo ad essa integrato costituisce una violazione diretta o che contribuisce alla violazione del brevetto, allora qualsiasi licenza di brevetto concessa all'utente ai sensi della presente licenza per quell'opera avrà termine alla data di inizio di tale contenzioso.

4. Ridistribuzione.

L'utente può riprodurre e distribuire copie dell'opera o delle opere derivate su qualsiasi supporto, con o senza modifiche, in formato sorgente o oggetto, a condizione che l'utente rispetti le seguenti condizioni:

- L'utente deve fornire agli altri destinatari dell'opera o delle opere derivate una copia della presente licenza.
- In caso di qualsiasi modifica, l'utente deve apporre sui file interessati avvisi bene visibili che indichino tale modifica. – L'utente deve conservare nel formato sorgente delle opere derivate da lui distribuite, tutti gli avvisi relativi a copyright, brevetto, marchio e attribuzione del formato sorgente dell'opera, salvo quelli che non riguardano alcuna parte delle opere derivate.
- Se l'opera include un file di testo "**AVVISO**" nell'ambito della sua distribuzione, le eventuali opere derivate distribuite dall'utente devono includere una copia leggibile degli avvisi di attribuzione contenuti in tale file (ad eccezione di quelli che non riguardano alcuna parte delle opere derivate)

in almeno una delle seguenti posizioni: in un file di testo **AVVISO** distribuito come parte delle opere derivate; in un formato o nella documentazione sorgente, se fornito insieme alle opere derivate; oppure in una visualizzazione generata dalle opere derivate, se e dove tali avvisi di terze parti normalmente compaiono. Il contenuto del file **AVVISO** ha solo scopo informativo e non modifica la licenza. Nelle opere derivate che distribuisce, l'utente può aggiungere i propri avvisi di attribuzione, insieme o come appendice al testo di **AVVISO** dell'opera, a condizione che tali avvisi di attribuzione aggiuntivi non possano essere interpretati come modifiche della licenza. L'utente può aggiungere una dichiarazione di copyright alle sue modifiche e fornire termini e condizioni di licenza aggiuntivi o differenti in merito all'uso, alla riproduzione o alla distribuzione delle sue modifiche, o in merito a qualsiasi altra opera derivata nel suo complesso, a condizione che l'uso, la riproduzione e la distribuzione dell'opera da parte dell'utente siano comunque conformi alle condizioni indicate nella presente licenza.

5. Invio dei contributi.

Salvo diversamente specificato, qualsiasi contributo intenzionalmente inviato per l'inclusione nell'opera da parte dell'utente al conceditore della licenza sarà soggetto ai termini e alle condizioni della presente licenza, senza ulteriori termini o condizioni. Fatto salvo quanto esposto sopra, nulla di quanto incluso nel presente documento sostituirà o modificherà i termini di qualsiasi contratto di licenza separato che l'utente potrebbe aver sottoscritto con il conceditore della licenza in relazione a tali contributi.

6. Marchi.

La presente licenza non concede l'autorizzazione a utilizzare i nomi commerciali, i marchi, i marchi di servizio o i nomi dei prodotti del conceditore della licenza, salvo quanto richiesto per un uso ragionevole e abituale nella descrizione dell'origine dell'opera e nella riproduzione del contenuto del file di **AVVISO**.

7. Esclusione di garanzia.

Se non previsto dalla legge applicabile o concordato per iscritto, il conceditore della licenza fornisce l'opera (e ciascun collaboratore fornisce i propri contributi) "**COSÌ COM'È**", **SENZA GARANZIE O CONDIZIONI DI ALCUN TIPO**, esplicite o implicite, incluse, ma non limitate a, tutte le garanzie o le condizioni di **TITOLARITÀ, NON CONTRAFFAZIONE, COMMERCIALIZZABILITÀ o IDONEITÀ PER UNO SCOPO SPECIFICO**. L'utente è l'unico responsabile di determinare l'idoneità dell'utilizzo o della ridistribuzione dell'opera e si assume tutti i rischi associati all'esercizio di concessione delle autorizzazioni ai sensi della presente licenza. 8. Limitazione di responsabilità. In nessun caso e in base a nessuna teoria giuridica, sia per illecito (inclusa la negligenza), per diritto contrattuale o altrimenti stabilito, se non

previsto dalla legge applicabile (come in caso di atti deliberati e gravemente negligenti) o concordato per iscritto, il collaboratore sarà responsabile nei confronti dell'utente per danni, inclusi danni diretti, indiretti, speciali, incidentali o consequenziali di qualsiasi carattere derivanti dalla presente licenza o dall'uso o dall'impossibilità di utilizzare l'opera (inclusi, a titolo esemplificativo ma non esaustivo, danni per mancato avviamento, interruzione dell'attività, guasto o malfunzionamento del computer, o qualsiasi altro danno o perdita commerciale), anche se tale collaboratore è stato informato della possibilità di tali danni.

9. Accettazione della garanzia o responsabilità aggiuntiva.

Durante la redistribuzione dell'opera o delle opere derivate, l'utente può scegliere di offrire, a pagamento, l'accettazione di assistenza, garanzia, indennizzo o altri obblighi di responsabilità e/o diritti conformi alla presente licenza. Tuttavia, accettando tali obblighi, l'utente può agire solo per proprio conto e sotto la propria esclusiva responsabilità, non per conto di altri collaboratori, e solamente se accetta di indennizzare, difendere e manlevare ciascun collaboratore da eventuali responsabilità o rivendicazioni avanzate contro il collaboratore a seguito dell'accettazione da parte dell'utente di tale garanzia o responsabilità aggiuntiva.
FINE DEI TERMINI E CONDIZIONI

Marchi registrati

QR Code è un marchio registrato di DENSO WAVE INCORPORATED in Giappone.

TURINYS

| | | | |
|------------------------------|-----|--|-----|
| Įvadas..... | 297 | Transportavimas, saugojimas ir utilizavimas..... | 310 |
| Sauga..... | 298 | Techniniai duomenys..... | 312 |
| Surinkimas..... | 304 | Atitikties deklaracija..... | 315 |
| Naudojimas..... | 305 | Licencijos..... | 316 |
| Techninė priežiūra..... | 307 | Registruotieji prekiniai ženklai..... | 318 |
| Gedimai ir jų šalinimas..... | 308 | | |

Įvadas

Gaminio aprašas

Šis gaminys yra savaeigė sukamoji vejapjovė. Žolė renkama į žolės rinktuvą. Jei norite, kad žolė būtų išmetama per galą, išimkite žolės rinktuvą. Jei žolę norite susmulkinti kaip trąšas, pridėkite mulčiavimo priedą.

Numatytasis naudojimas

Gaminį naudokite žolei pjauti. Nenaudokite gaminio kitiems darbams.

Gaminio apžvalga

(Pav. 1)

1. Variklio stabdymo rankena
2. Apsauga nuo netyčinio paleidimo
3. Rankena / valdymo rankena
4. Valdymo rankenos fiksuojamoji rankenėlė
5. Rankenėlės
6. Žolės rinktuvas
7. Mulčiavimo kaištis
8. Galinis gaubtas
9. Ant gaminio įtaisytas šviesos diodas
10. Įspėjimo indikatorius (klaidos šviesos diodas)
11. Apsauginis raktelis
12. Akumulatoriaus skyrius
13. Akumulatoriaus gaubtas
14. Ženkliai
15. Pjovimo aukščio reguliavimo svirtis
16. Akumulatoriaus (priedas)
17. Akumulatoriaus įkroviklis (priedas)
18. Raudonas LED
19. Žalias LED
20. Užkabinimo ašos
21. Kablys
22. Naudojimo instrukcija

Simboliai ant gaminio

(Pav. 2) ĮSPĖJIMAS

Trumpasis vadovas

Gaminio naudojimo patarimų rasite nuskaitę šį QR kodą.



(Pav. 3) Perskaitykite instrukcijas.

(Pav. 4) ĮSPĖJIMAS – saugokitės išsviestų objektų.

(Pav. 5) Pašaliniai asmenys turi laikytis atokiau.

(Pav. 6) ĮSPĖJIMAS – saugokite rankas bei kojas ir neikiškite jų prie peilių.

(Pav. 7) ĮSPĖJIMAS – prieš atlikdami techninę apžiūrą atjunkite akumuliatorių.

(Pav. 8) Gaminys ar gaminio pakuotė nepriskiriami buitiniams atliekoms. Nuvežkite jį į elektros ir elektronikos įrenginių perdirbimo punktą.

(Pav. 9) Triukšmo emisijos į aplinką ženklimas atitinka ES ir Jungtinės Karalystės direktyvas bei reglamentus ir Naujojo Pietų Velso įstatymą „2017 m. aplinkos apsaugos (triukšmo kontrolės) reglamentas“. Gaminio garantuotasis garso galios lygis nurodytas *Techniniai duomenys psl. 312* ir etiketėje.

(Pav. 10) Šis įtaisas atitinka jam taikomas EB direktyvas.

- (Pav. 11) Šis gaminys atitinka taikytinų JK reglamentų nuostatas.
- (Pav. 12) Gaminys apsaugotas nuo lašėjimo.
- (Pav. 13) Norėdami sustabdyti, atleiskite variklio stabdymo rankeną.
- (Pav. 14) Pastumkite variklio stabdymo rankeną, kad paleistumėte peilių pavarą.
- (Pav. 15) Nuskaitomas kodas.

- (Pav. 18) Pasukite, kad užfiksuotumėte arba atfiksuotumėte.

Pasižymėkite: Kiti ant gaminio pateikti simboliai (etiketės) skirti kai kurių rinkų sertifikavimo reikalavimams.

Simboliai ant akumulatoriaus ir (ar) akumulatoriaus įkroviklio

- (Pav. 19) Nuvežkite šį gaminį į elektros ir elektronikos įrenginių perdirbimo punktą. (galioja tik Europoje)
- (Pav. 20) Akumuliatorių naudokite tik POWER FOR ALL sistemos partnerių gaminiuose.

- (Pav. 21) Saugokite akumuliatorių nuo šilumos, pvz., nuo ilgalaikio buvimo intensyvioje saulės šviesoje, ugnies, nešvarumų, vandens ir drėgmės. Akumulatorius gali sprogti arba įvykti trumpasis jungimas.

- (Pav. 16) Akumulatoriaus įkroviklį naudokite ir laikykite tik uždaroje patalpoje.

- (Pav. 17) Dviguba izoliacija.

Etiketė ant gaminio

- (Pav. 23) PAVOJINGA – rankas ir kojas laikykite toliau

Atsakomybė už gaminį

Kaip nurodyta atsakomybės už gaminį įstatymuose, mes nesame atsakingi už mūsų gaminio sukeltą žalą, jei:

- gaminys netinkamai suremontuotas;
- gaminys suremontuotas naudojant kito gamintojo arba gamintojo nepatvirtintas dalis;
- gaminys turi kito gamintojo arba gamintojo nepatvirtintą priedą;
- gaminys suremontuotas ne patvirtintame techninės priežiūros centre arba jį suremontavo ne patvirtintas atstovas.

Sauga

Saugos ženklų reikšmės

Įspėjimai, perspėjimai ir pastabos yra skirtos atkreipti dėmesį į ypač svarbias vadovo dalis.



PERSPĖJIMAS: Naudojamas, kai naudotojui ar šalia esantiems asmenims kyla mirtino arba sunkaus sužeidimo pavojus arba, jei nesilaikoma vadove pateiktų nurodymų.



PASTABA: Naudojamas, kai kyla pavojus sugadinti gaminį, kitas medžiagas arba padaryti žalą aplinkai, jei nesilaikoma vadove pateiktų nurodymų.

Pasižymėkite: Naudojamas papildomai informacijai apie konkrečią situaciją pateikti.

Bendrieji gaminio saugos įspėjimai



PERSPĖJIMAS: Perskaitykite visus saugos įspėjimus, instrukcijas, iliustracijas ir specifikacijas, pateikiamas su šiuo gaminiumi. Nesilaikydami toliau nurodytų instrukcijų galite sukelti gaisrą, gauti elektros smūgį ir (ar) rimtai susižeisti.

Saugokite visus įspėjimus ir instrukcijas, nes jų gali prireikti vėliau. Terminas „gaminys“ įspėjimuose reiškia iš elektros tinklo maitinamą (laidinį) gaminį arba akumuliatoriumi maitinamą (belaidį) gaminį.

Sauga darbo vietoje

- **Darbo vieta turi būti švari ir gerai apšviesta.** Netvarkingose arba tamsiose darbo vietose dažnai įvyksta nelaimės.

- **Nenaudokite gaminio sprogiose aplinkose, pavyzdžiui, ten, kur yra degių skysčių, dujų arba dulkių.** Gaminys kibirkščiuoja, todėl gali užsiliepsnoti dulksės arba garai.
- **Naudodami gaminį, neleiskite arti būti vaikams ir pašalininiams asmenims.** Išsiblaškę galite prarasti įrenginio kontrolę.

Elektrosauga

- **Gaminį kištukai turi atitikti elektros lizdus. Niekada nebandykite koku nors būdu perdaryti kištuko. Jei naudojate įžemintus gaminčius, nenaudokite jokių kištukų adapterių.** Jeigu kištukai nėra perdaryti ir atitinka elektros lizdus, elektros smūgio pavojus yra mažesnis.
- **Nesilieskite prie elektros laidininkų paviršių, pavyzdžiui, vamzdžių, radiatorių, viryklių ir šaldytuvų.** Jei kūnas taps elektros laidininku, iškilis elektros smūgio pavojus.
- **Nelaikykite gaminį lietuje arba drėgnoje aplinkoje.** Į gaminį patekęs vanduo padidina elektros smūgio pavojų.
- **Tinkamai naudokite laidą. Niekada neneškite gaminio laikydami už laido, netraukite jo ir nebandykite traukdami už jo ištraukti kištuką. Laikykite laidą atokiai nuo šilumos šaltinių, tepalų, aštrių briaunų ar judančių dalių.** Dėl pažeistų arba susipainiojusių laidų padidėja elektros smūgio rizika.
- **Jei gaminį naudojate lauke, naudokite lauke skirtą naudoti ilgintuvą.** Naudojant lauke skirtą naudoti ilgintuvą, sumažėja elektros smūgio rizika.
- **Jeigu gaminį būtina naudoti drėgnoje aplinkoje, naudokite liekamosios srovės įtaisų (LSĮ) apsaugotą maitinimo šaltinį.** Naudojant LSĮ, sumažėja elektros smūgio pavojus.

Asmens sauga

- **Naudodami gaminį būkite budrūs, stebėkite savo veiksmus ir vadovaukitės sveiku protu. Nenaudokite gaminio, jei esate pavargę, apsvaigę nuo narkotikų, alkoholio arba vaistų.** Dirbant gaminiumi netgi akimirksnis neatidumo gali tapti sunkaus sužeidimo priežastimi.
- **Naudokite asmenines apsaugines priemones. Visuomet užsidėkite akių apsaugos priemones.** Dėl atitinkamomis sąlygomis naudojamų apsauginių priemonių, pavyzdžiui, respiratorių, neslystančių apsauginių batų, šalmo arba apsauginių ausinių, sumažėja sužeidimų rizika.
- **Saugokitės atsitiktinio įsijungimo. Prieš prijungdami gaminį prie maitinimo šaltinio ir (arba) akumuliatorių bloko, paimdami arba nešdami įrenginį, įsitinkinkite, kad jungiklis yra išjungimo padėtyje.** Jei nešite gaminčius laikydami pirštą ant jungiklio ar prijungsite jį prie maitinimo šaltinio, kai jungiklis yra įjungimo padėtyje, gali įvykti nelaimingas atsitikimas.
- **Prieš įjungdami gaminį, pašalinkite iš jo visus reguliavimo raktus ar veržliarakčius.** Besisukančiose gaminio dalyse paliktas veržliaraktis arba raktas gali sužeisti.
- **Per plačiai neužsimokite. Visada tvirtai stovėkite ant kojų ir laikykite pusiausvyrą.** Tokiu būdu geriau kontroliuosite gaminį netikėtose situacijose.
- **Apsirenkite tinkamai. Niekada nedėvėkite palaidų drabužių ar papuošalų. Nelaikykite plaukų ir drabužių arti judančių dalių.** Palaidi drabužiai, papuošalai arba ilgi plaukai gali įkliūti į judančias dalis.
- **Jeigu naudojate įtaisus, skirtus dulkių surinkimo įrenginiams prijungti, įsitinkinkite, kad jie tinkamai prijungti ir naudojami.** Naudojant dulkių surinkimo įrenginius, sumažėja su dulkelėmis susijusių pavojų rizika.
- **Įgudę naudotis gaminiais ir prie jų pripratę nenustokite paisyti gaminčių saugos principų.** Dėl neatsargių veiksmų galite sunkiai susižeisti vos per akimirka.

Gaminio naudojimas ir priežiūra

- **Dirbdami su gaminiumi nenaudokite jėgos. Naudokite savo darbui tinkamą gaminį.** Naudojant numatytam tikslui skirtą gaminį, darbas bus atliktas saugiau ir greičiau.
- **Jeigu paspaudus jungiklį gaminys neįsijungia arba neišsijungia, nenaudokite jo.** Gaminys, kurio nepavyksta tinkamai valdyti jungikliu, kelia pavojų ir turi būti pataisytas.
- **Prieš reguliuodami gaminį, keisdami priedus arba padėdami saugoti gaminčius, ištraukite maitinimo laido kištuką iš elektros maitinimo šaltinio ir (arba) išimkite akumuliatorių bloką iš gaminio, jei tai įmanoma.** Laikantis šių prevencinių saugos priemonių, sumažėja netyčinio gaminio įjungimo rizika.
- **Nenaudojamus gaminčius laikykite vaikams nepasiekiamoje vietoje ir neleiskite naudoti gaminio asmenims, kurie nemoka juo naudotis arba nėra susipažinę su šiomis instrukcijomis.** Nekvalifikuotų naudotojų rankose gaminiai yra pavojingi.
- **Pržiūrėkite gaminčius ir jų priedus. Patikrinkite, ar sureguliuotos ir nestringa judančios dalys, ar nėra sulūžusių dalių ir kitų veiksmų, kurie gali daryti įtaką gaminio veikimui. Jei gaminys sugedęs, prieš naudodami jį sutaisykite.** Daug nelaimingų atsitikimų įvyksta dėl netinkamai prižiūrimų gaminčių.
- **Pjovimo įrankiai turi būti pagalasti ir švarūs.** Tinkamai prižiūrimi pjovimo įrankiai su aštriomis pjovimo briaunomis rečiau užstringa ir juos paprasčiau valdyti.
- **Gaminį, priedus, antgalius ir pan. naudokite taip, kaip nurodyta šiose instrukcijose, atsižvelgdami į darbo sąlygas ir atliekamą darbą.** Naudodami gaminį ne pagal paskirtį, galite sukelti pavojų.
- **Rankenos ir laikomieji paviršiai visuomet turi būti sausi ir švarūs (neištepti alyva ar tepalais).** Slidžios rankenos ir laikymosi paviršiai neleidžia saugiai valdyti ir kontroliuoti gaminio netikėtose situacijose.

Akumuliatorinių įrankių naudojimas ir priežiūra

- **Akumuliatorius kraukite tik gamintojo nurodytu įkrovikliu.** Įkroviklis, tinkamas vienam akumuliatorių

blokui, gali sukelti gaisro pavojų, naudojamas kitam akumuliatorių blokui įkrauti.

- **Gaminius naudokite tik su jiems skirtais akumuliatorių blokais.** Naudojant bet kokį kitą akumuliatorių bloką kyla sužeidimo ir gaisro pavojus.
- **Nenaudojamą akumuliatorių bloką laikykite toliau nuo metalinių daiktų, galinčių sukurti jungtį tarp gnybtų, pavyzdžiui sąvaržėlių, monetų, raktų, vinių, varžtų ir kitų smulkių metalinių daiktų.** Trumpai sujungus akumuliatoriaus gnybtus gali kilti gaisras arba galite nudegti.
- **Esant nepalankioms sąlygoms, iš akumuliatoriaus gali imti tekėti skystis. Nelieskite jo. Ant odos netyčia patekusį skystį nuplaukite vandeniu. Skysčiui patekus į akis kreipkitės medicininės pagalbos.** Iš akumuliatoriaus ištekėjęs skystis gali sudirginti arba nudeginti.
- **Nenaudokite pažeisto arba modifikuoto akumuliatorių bloko arba įrankio.** Naudojant pažeistus ar modifikuotus akumuliatorius, jų veikimas gali būti neprognozuojamas ir jie gali sukelti gaisrą, sprogingą ar sužalotą.
- **Saugykite akumuliatorių bloką arba įrankį nuo ugnies ir didelės temperatūros.** Sąlytis su ugnimi arba 130 °C (265°F) temperatūra gali sukelti sprogingą.
- **Laikykites visų įkrovimo nurodymų ir neįkraukite akumuliatorių bloko ar įrankio, esant nurodytame diapazone neišsitenkančiai temperatūrai.** Netinkamai įkraunant arba esant nurodytame diapazone neišsitenkančiai temperatūrai gali būti pažeistas akumuliatorius ir padidėti gaisro tikimybė.

Techninė priežiūra

- **Gaminio techninę priežiūrą privalo atlikti kvalifikuotas remonto specialistas, naudodamas tik tokias pačias pakaitines dalis.** Tokiu būdu bus užtikrinta gaminio sauga.
- **Niekada neatlikite pažeistų akumuliatorių blokų techninės priežiūros.** Akumuliatorių blokų techninę priežiūrą gali atlikti tik gamintojas arba įgalioti paslaugų teikėjai.

Vejapjovės saugos įspėjimai

- **Nenaudokite vejapjovės blogomis oro sąlygomis, ypač jei yra žaibo pavojus.** Taip sumažinsite pavojų būti nutrenktiems žaibo.
- **Kruopščiai apžiūrėkite plotą, kuriame bus naudojama vejapjovė, ar nėra laukinių gyvūnų.** Veikianti vejapjovė gali juos sužeisti.
- **Nuodugnai patikrinkite vietą, kur bus naudojama vejapjovė, ir pašalinkite akmenis, pagalius, vielas, kaulus ir kitus pašalinius objektus.** Išsiviedžiami daiktai gali sužaloti.
- **Prieš naudodami vejapjovę, apžiūrėkite peilį ir peilio agregatą, kad jie nebūtų pažeisti ar susidėvėję.** Dėl susidėvėjusių ar apgadintų dalių didėja sužeidimo pavojus.

- **Nuolat tikrinkite, ar žolės rinktuvas nesusidėvėjo ir nėra sugadintas.** Susidėvėjęs arba pažeistas žolės rinktuvas gali didinti sužeidimų pavojų.
- **Apsaugos turi būti savo vietoje. Apsaugos turi atlikti savo funkciją ir būti tinkamai sumontuotos.** Atsilaisvinusi, pažeista arba netinkamai veikianti apsauga gali sužaloti dirbantįjį.
- **Visos aušinimo oro tiekimo angos turi būti švarios.** Užsikimšusios oro tiekimo angos ir nešvarumai gali sukelti perkaitimo arba gaisro pavojų.
- **Dirbdami su vejapjove visada avėkite neslystančius ir apsauginius batus. Nenaudokite vejapjovės basi arba avėdami atvirą avalynę.** Tokiu būdu sumažinsite pavojų susižeisti kojas dėl sąlyčio su judančiu peiliu.
- **Dirbdami su vejapjove, visada mūvėkite ilgas kelnes.** Dirbant atidengta oda, didėja tikimybė susižeisti dėl išsiviedžiamų objektų.
- **Nenaudokite vejapjovės drėgnoje žolėje. Eikite, niekada nebėkite.** Tokiu būdu sumažės pavojus paslysti ir nugriūti, tad išvengsite sužalojimų.
- **Nenaudokite vejapjovės ant pemelyg stačių šlaitų.** Tokiu būdu sumažės pavojus nesuvaldyti įrenginio, paslysti ir nugriūti, tad išvengsite sužalojimų.
- **Dirbdami šlaituose visada įsitikinkite, kad tvirtai stovite, šlaitu visada kilkite horizontaliai, niekada nedirbkite judėdami aukštyn ir žemyn, būkite ypač atsargūs keisdami judėjimo kryptį.** Tokiu būdu sumažės pavojus nesuvaldyti įrenginio, paslysti ir nugriūti, tad išvengsite sužalojimų.
- **Apreždami arba traukdami vejapjovę į save, būkite itin atsargūs. Visada stebėkite aplinką.** Taip sumažėja pavojus dirbant apvirsti.
- **Nelieskite peilių ir kitų pavojingų judančių dalių, kol jos vis dar juda.** Taip sumažės pavojus susižaloti dėl judančių dalių.
- **Valydami užstrigusią medžiagą arba valydami vejapjovę, įsitikinkite, kad visi mašinimo jungikliai išjungti ir elektros laidas atjungtas.** Vejapjovei pradėjus netikėtai veikti, galima sunkiai susižaloti.

Liekamosios srovės įtaisas

- Liekamosios srovės įtaisą naudokite, kai išjungimo srovė ne didesnė nei 30 mA.

Bendrieji saugos nurodymai



PERSPĖJIMAS: Prieš naudodami gaminį, perskaitykite toliau esančius įspėjimus.

- Netinkamai arba neatidžiai naudojant šis gaminys yra pavojingas. Jei nesilaikysite saugos nurodymų, kyla sužeidimų arba mirties pavojus.
- Šis gaminys veikdamas sukuria elektromagnetinį lauką. Tam tikromis aplinkybėmis šis laukas gali trikdyti aktyviųjų arba pasyviųjų medicininių implantų veiklą. Kad sumažėtų sunkių ar mirtinų sužeidimų pavojus, medicininių implantų turintiems asmenims

rekomenduojame prieš naudojant šį gaminį pasitarti su gydytoju ir implanto gamintoju.

- Visada elkitės atsargiai ir vadovaukitės sveiku protu. Jei tiksliai nežinote, kaip naudoti gaminį konkrečioje situacijoje, sustabdykite darbą ir prieš tęsdami darbą pasitarkite su „Husqvarna“ pardavimo atstovu.
- Atminkite, kad už nelaimingus atitikimus, kurių metu nukentės asmenys ar turtas, bus atsakingas naudotojas.
- Rūpinkitės gaminio švara. Įsitinkite, kad galite aiškiai perskaityti ženklus ir lipdukus.
- Neleiskite vaikams bei suaugusiesiems, nesusipažinusiems su instrukcijomis, naudotis įrenginiu. Gali būti, kad pagal vietos teisės aktus ribojamas naudotojo amžius.
- Visada prižiūrėkite gaminį naudojančią fizinę arba protinę negalią turintį asmenį. Būtina nuolatinė atsakingo suaugusiojo priežiūra.
- Nedirbkite su gaminiu, jeigu esate pavargę, sergate arba esate apsvaigę nuo alkoholio, narkotinių medžiagų ar vaistų. Tai neigiamai veikia jūsų regėjimą, nuovoką ar koordinaciją.
- Nedirbkite su gaminiu, jei jis yra sugadintas.
- Nekeiskite gaminio ir nenaudokite jo, jei jį galėjo pakeisti kiti.

Darbo sauga



PERSPĖJIMAS: Prieš naudodami gaminį, perskaitykite toliau esančius įspėjimus.

- Gaminį naudokite tik veją žolei pjauti. Neleidžiama jo naudoti kitoms užduotims atlikti.
- Naudokite asmenines apsaugines priemones. Žr. *Asmeninės apsauginės priemonės psl. 301*.
- Įsitinkite, kad žinote, kaip greitai sustabdyti variklį nelaimės atveju.
- Nenaudokite gaminio lietuje arba drėgnoje aplinkoje. Į gaminį patekus vandens, padidėja elektros smūgio pavojus.
- Nenaudokite gaminio tinkamai neuždengę peilio ir neuždėję kitų dangčių. Netinkamai uždėtas peilis gali atsilaisvinti ir sužeisti.
- Užtikrinkite, kad peilis neatsitrenktų į tokius objektus, kaip akmenys ir šaknys. Tai gali sugadinti peilį ir sulenkti variklio veleną. Sulenkta ašis sukelia didelę vibraciją ir kyla didžiulis pavojus, kad peilis atsilaisvins.
- Jei į peilį atsitrenkia objektas arba susidaro vibracijos, nedelsdami sustabdykite gaminį. Išjunkite variklį, pasukite apsauginį raktelį į padėtį „0“ ir išimkite akumuliatorių. Palaukite, kol judančios dalys sustos. Patikrinkite, ar gaminys neapgadintas. Priveržkite atsilaisvinusias dalis. Pataisykite pažeidimus ir pakeiskite pažeistas dalis. Taisyimo darbus leiskite atlikti įgaliotam techninės priežiūros atstovui.

- Niekada nepritvirtinkite variklio stabdymo rankenos prie rankenos visam laikui, kai variklis veikia.
- Padėkite gaminį ant stabiliaus, plokščio paviršiaus ir paleiskite jį. Patikrinkite, ar peilis neliečia žemės ar kokių kitų daiktų.
- Visada būkite už gaminio, kai jį naudojate.
- Prižiūrėkite, kad visi ratukai būtų ant žemės ir abi rankas laikykite ant rankenos, kai naudojate gaminį. Saugokite rankas bei kojas ir neikiškite jų prie besisukančių peilių.
- Nepakreipkite gaminio, kai paleidžiate variklį arba naudodami gaminį.
- Būkite atsargūs, kai gaminį traukiate atgal.
- Dirbant varikliui niekada nekelkite gaminio. Jei reikia pakelti gaminį, pirmiausia išjunkite variklį, pasukite apsauginį raktelį į padėtį „0“ ir išimkite akumuliatorių.
- Naudodami gaminį neikite atgal.
- Kai reikia pakreipti gaminį, kad jį būtų galima gabenti, arba prieš pereinant iš vienos vietos kitą sritimi, kurioje nėra žolės, pvz., žvyro, akmenų ar asfalto takais, sustabdykite variklį.
- Dirbant varikliui nebėkite su gaminiu. Naudodami gaminį visada eikite.
- Prieš pakeisdami pjovimo aukštį pirmiausia išjunkite variklį. Niekada nereguliuokite varikliui veikiant.
- Niekada nepaleiskite gaminio iš akių, kai veikia variklis. Išjunkite variklį ir įsitinkite, kad pjovimo įranga nesisuka.
- Gaminio vibracijos jam veikiant gali skirtis nuo deklaruojamos vibracijos vertės, nurodytos *Techniniai duomenys psl. 312*. Skirtumus lemia skirtingas gaminio naudojimas. Jei gaminį naudojate dažnai arba ilgą laiką tarpa, reguliariai darykite pertraukas, kad nesusižeistumėte dėl vibracijų.

Naudojimo saugos instrukcijos

Asmeninės apsauginės priemonės



PERSPĖJIMAS: Prieš naudodami gaminį, perskaitykite toliau esančius įspėjimus.

- Asmeninės apsauginės priemonės nepadės visiškai išvengti pavojaus susižeisti, tačiau nelaimingo atsitikimo atveju mažiau nukentėsite. Leiskite prekybos atstovui padėti pasirinkti tinkamą įrangą.
- Avėkite patvarius, neslystančius batus. Neavėkite atvirų batų ir nebūkite basi.
- Devėkite storas, ilgas kelnes.
- Kai būtina, pvz., montuojant, apžiūrint arba valant pjovimo įrangą, užsimaukite apsaugines pirštines.
- Rekomenduojame naudoti apsaugines ausines.

Gaminio apsauginės priemonės



PERSPĖJIMAS: Prieš naudodami gaminį, perskaitykite toliau esančius įspėjimus.

- Nesinaudokite gaminiu, jei jo apsauginės priemonės yra netvarkingos.
- Nepašalinkite ir nemodifikuokite apsauginių priemonių.
- Reguliariai tikrinkite apsaugines priemones. Jei apsauginės priemonės yra pažeistos, pasitarkite su Husqvarna techninės priežiūros atstovu.

Atlikite pjovimo gaubto patikrą.

Pjovimo gaubtas sumažina gaminio vibracijas ir sumažina disko keliamą sužeidimų pavojų.

- Apžiūrėkite pjovimo gaubtą, kad įsitikintumėte, jog nėra pažeidimų, pvz., įtrūkių.

Apsauginio raktelio patikra

Apsauginis raktelis yra po akumulatoriaus gaubtu. Apsauginis raktelis prijungia akumuliatorių, kuris tiekia varikliui energiją.

- Norėdami patikrinti apsauginį raktelį, paleiskite ir sustabdykite variklį.
- Jei apsauginis raktelis veikia tinkamai, variklį galima paleisti tik pasukus raktelį į padėtį „1“. (Pav. 24)

Variklio stabdymo rankenos patikra

Variklio stabdymo rankena sustabdo variklį. Atleidus variklio stabdymo rankeną variklis sustoja.

- Paleiskite gaminį. Žr. *Gaminio paleidimas psl. 306*.
- Atleiskite variklio stabdymo rankeną. (Pav. 25)
- Įsitinkite, kad gaminys sustoja. Jei variklis nesustoja per 3 sekundes, paprašykite, kad įgaliotasis „Husqvarna“ techninės priežiūros atstovas sureguliuotų variklio stabdymą.

Apsaugos nuo netyčinio užvedimo patikra

Patikrinkite apsaugą nuo netyčinio užvedimo ir įsitinkite, kad ji neleidžia užvesti variklio.

1. Pastumkite variklio stabdymo rankeną link gaminio rankenos. Apsauga nuo netyčinio užvedimo neleidžia judėti.
2. Išstumkite apsaugą nuo netyčinio užvedimo. (Pav. 26)
3. Atleiskite apsaugą nuo netyčinio užvedimo ir įsitinkite, kad ji grįžta į savo pradinę padėtį.

Akumuliatorių naudojimo sauga



PERSPĖJIMAS: Perskaitykite visus saugos ir bendruosius nurodymus. Nesilaikant saugos ir bendrųjų nurodymų, gali įvykti elektros smūgis, gaisras ir

(arba) patirti sunkių sužalojimų. **Išsaugokite visą saugos informaciją ir bendruosius nurodymus, kad galėtumėte pasinaudoti ateityje.**

- Šie saugos nurodymai taikomi tik **POWER FOR ALL** sistemos 18 V įkraunamiems ličio jonų akumuliatoriams.
- Įkraunamą akumuliatorių naudokite tik **POWER FOR ALL** sistemos partnerių gaminiuose. **POWER FOR ALL** Etiketė paženklinoti 18 V įkraunami akumuliatoriai visiškai suderinami su šiais gaminiais:
 - Visais 18 V **POWER FOR ALL** akumuliatorių sistemos gaminiais.
 - Visais **POWER FOR ALL** sistemos partnerių 18 V gaminiais.
- **Laikytės akumulatoriaus naudojimo rekomendacijų, pateiktų jūsų gaminio naudojimo instrukcijoje.** Tik tokiu būdu galima saugiai naudoti įkraunamą akumuliatorių ir gaminį bei apsaugoti įkraunamus akumuliatorius nuo pavojingos perkrovos.
- **Akumuliatorius įkraukite tik gamintojo arba POWER FOR ALL sistemos partnerių rekomenduojamais įkrovikliais.** Vieno tipo akumuliatoriui tinkamą įkroviklį naudojant kito tipo akumuliatoriui įkrauti, gali kilti gaisro pavojus.
- **Naujas akumuliatorius yra iš dalies įkrautas.** Prieš pirmą kartą naudodami elektrinį įrankį, norėdami užtikrinti maksimalią akumulatoriaus talpą, visiškai įkraukite akumuliatorių įkrovikliu.
- **Akumuliatorių blokus laikykite vaikams neprieinamoje vietoje.**
- **Neatidarykite akumulatoriaus.** Yra trumpojo jungimo pavojus.
- **Pažeidus arba netinkamai naudojant akumuliatorių, gali pasklisti garai.** Akumuliatorius gali užsilipti arba sprogti. Patyrus nepageidaujamą poveikį, pasirūpinkite, kad vieta būtų gerai vėdinama ir kreipkitės į gydytoją. Garai gali dirginti kvėpavimo sistemą.
- **Jei akumuliatorius naudojamas netinkamai arba yra pažeistas, iš jo gali ištėkėti degus skystis.** Venkite sąlyčio su šiuo skystiu. Netyčinio sąlyčio atveju nuplaukite vandeniu. Jei skystis pateko į akis, kreipkitės į gydytoją. Iš akumulatoriaus ištėkėjęs skystis gali sudirginti arba nudeginti.
- **Jei akumuliatorius yra pažeistas, iš jo gali ištėkėti skystis ir pasklisti ant netoliese esančių paviršių.** Patikrinkite paveiktas dalis. Nuvalykite šias dalis arba, jei reikia, pakeiskite jas.
- **Nesukelkite akumuliatorių bloko trumpojo jungimo. Nenaudojamą akumuliatorių bloką laikykite toliau nuo metalinių daiktų, galinčių sukurti jungtį tarp gnybtų, pavyzdžiui, sąvaržėlių, monetų, raktų, vinių, varžtų ir kitų smulkių metalinių daiktų.** Trumpai sujungus akumulatoriaus gnybtus gali kilti gaisras arba galite nudegti.

- **Akumuliatorių galima pakeisti smailiais daiktais, pavyzdžiui, vinimis ar atsuktuvais, arba iš išorės paveikiant jėga.** Gali įvykti vidinis trumpasis jungimas, dėl kurio akumuliatorius gali užsiliepsnoti, skeleisti dūmus, sprogti ar perkaisti.
- **Niekada neapžiūrėkite pažeistų akumuliatorių bloką.** Akumuliatorių bloką techninė priežiūra gali atlikti tik gamintojas arba įgaliotai paslaugų teikėjai.
- **Saugokite akumuliatorių nuo šilumos, pvz., nuo ilgalaikio buvimo intensyvioje saulės šviesoje, ugnies, nešvarumų, vandens ir drėgmės.** Akumuliatorius gali sprogti arba įvykti trumpasis jungimas.
- **Akumuliatorių gaminyje naudokite tik kai aplinkos temperatūra yra 0 °C – +40 °C.**
- **Akumuliatorių laikykite tik tokomis sąlygomis, kuriomis aplinkos temperatūra yra -20 °C – +50 °C.** Nepalikite akumuliatoriaus savo automobilyje, pavyzdžiui, vasarą. Esant < 0 °C temperatūrai, kai kurių įrenginių galia gali sumažėti.
- **Akumuliatorių įkraukite, tik kai aplinkos temperatūra yra nuo 0 °C iki +35 °C. Įkraunamą akumuliatorių įkraukite tik naudodami USB kabelį, tik kai aplinkos temperatūra yra nuo +10 iki +35 °C.** Įkraunant esant kitam temperatūros diapazonui padidėja pavojus pakenkti akumuliatoriui ar kilti gaisrui.

Įkroviklio sauga



PERSPĖJIMAS: Perskaitykite visus saugos ir bendruosius nurodymus.

Nesilaikant saugos ir bendrųjų nurodymų, gali įvykti elektros smūgis, gaisras ir (arba) patirti sunkių sužalojimų. **Šias naudojimo instrukcijas laikykite saugioje vietoje.** Įkroviklį naudokite tik tuo atveju, jei galite visiškai įvertinti visas funkcijas ir jas atlikti be apribojimų, arba esate gavę atitinkamas instrukcijas.

- **Šio įkroviklio negali naudoti vaikai ir asmenys turintys fizinį, jutiminių ar protinių negalių, taip pat stokojantys patirties ar žinių.** Šiuo įkrovikliu gali naudotis vyresni nei 8 m. vaikai ir asmenys turintys fizinį, jutiminių ar protinių negalių, taip pat stokojantys patirties ar žinių, jei juos prižiūri už jų saugumą atsakingas asmuo arba jei toks asmuo paaiškino jiems, kaip saugiai naudotis įkrovikliu ir jie suvokia su tuo susijusias grėsmes. Priešingu atveju kyla veikimo klaidų ir sužeidimų grėsmė.
- **Naudojant, valant ir atliekant techninės priežiūros darbus, nepalikite vaikų be priežiūros.** Tokiu būdu užtikrinsite, kad vaikai nežaistų su įkrovikliu.
- **Įkraukite tik 18V POWER FOR ALL sistemos akumuliatorius, kurių talpa 1,5 Ah.** Akumuliatorius įtampa turi atitikti įkroviklio akumuliatorių įkrovimo įtampą. Nekraukite jokių neįkraunamų akumuliatorių. Priešingu atveju gali kilti gaisras arba sproginimas.

- **Įkroviklį naudokite tik uždarose patalpose ir saugokite jį nuo drėgmės.** Įrenginį patekęs vanduo padidina elektros smūgio pavojų.
- **Rūpinkitės įkroviklio švara.** Nešvarumai kelia elektros smūgio pavojų.
- **Prieš naudodami, būtinai patikrinkite įkroviklį, kabelį ir kištuką.** Aptikę pažeidimų, nustokite naudoti įkroviklį. Neatidarykite įkroviklio patys ir atiduokite jį taisyti tik Husqvarna arba įgaliotam techninės priežiūros centrui, kuriame naudojamos tik originalios atsarginės dalys. Pažeisti įkrovikliai, kabeliai ir kištukai padidina elektros smūgio pavojų.
- **Nenaudokite įkroviklio ant lengvai užsiliepsnojančio paviršiaus (pvz., popieriaus, tekstilės ir kt.) arba degioje aplinkoje.** Kadangi naudojant įkroviklis įkaista, gali kilti gaisro pavojus.
- **Neuždenkite įkroviklio ventiliacijos angų.** Priešingu atveju įkroviklis gali perkaisti ir pradėti netinkamai veikti.
- **Akumuliatorius kraukite tik gamintojo nurodytu įkrovikliu.** Įkroviklis, tinkamas vienam akumuliatorių blokui, gali sukelti gaisro pavojų, naudojamas kitam akumuliatorių blokui įkrauti.
- **Pažeidus arba netinkamai naudojant akumuliatorių, gali pasklisti garai.** Patyrus nepageidaujimą poveikį, pasirūpinkite, kad vieta būtų gerai vėdinama ir kreipkitės į gydytoją. Garai gali dirginti kvėpavimo sistemą.
- **Naudojant nepalankiomis sąlygomis, iš akumuliatoriaus gali ištekėti skystis.** Venkite sąlyčio su šiuo skysčiu. Netyčinio sąlyčio atveju nuplaukite vandeniu. Jei skysčio pateko į akis, kreipkitės į gydytoją. Iš akumuliatoriaus ištekėjęs skystis gali sudirginti arba nudeginti.
- **Tik Didžiojoje Britanijoje parduodami gaminiai:** Jūsų gaminyje įtaisytas BS 1363/A patvirtintas elektros kištukas su vidiniu saugikliu (ASTA patvirtintas pagal BS 1362). Jei kištukas netinkamas jūsų maitinimo lizdams, įgaliotasis klientų aptarnavimo centro atstovas jį turėtų nupjauti ir vietoj jo pritvirtinti tinkamą kištuką. Pakeitimui naudojamo kištuko saugiklio parametrai turi būti tokie pat, kaip originalaus kištuko. Nupjautą kištuką reikia pašalinti, siekiant išvengti galimo trumpojo jungimo pavojaus, ir jo jokiu būdu negalima kišti į kitus elektros maitinimo tinklo lizdus.

Priežiūros saugos instrukcijos



PERSPĖJIMAS: Prieš naudodami gaminį, perskaitykite toliau esančius įspėjimus.

- Kad atlikdami priežiūros darbus išvengtumėte netyčinio užvedimo, pasukite apsauginį raktelį į padėtį „0“ ir išimkite akumuliatorių. Palaukite bent 5 sekundes ir tik tada pradėkite priežiūros darbus.
- Atlikite tik naudojimo instrukcijoje nurodytus techninės priežiūros darbus. Sudėtingesnius ir profesionalius remonto darbus turi atlikti patvirtintas

techninės priežiūros atstovas. Jei reikia daugiau informacijos, kreipkitės į artimiausią techninės priežiūros atstovą.

- Kad gaminys tarnautų ilgai ir sumažėtų nelaimingų atsitikimų pavojus, tinkamai atlikite priežiūros darbus.
- Pakeiskite pažeistas, sulūžusias arba susidėvėjusias dalis. Visada naudokite gamintojo originalias atsargines dalis. Naudojat kitas atsargines dalis, galima pažeisti gaminį ir gali padidėti nelaimingų atsitikimų pavojus.
- Kad nesusižalotumėte, nepašalinkite ir nemodifikuokite apsauginių priemonių.
- Naudodami pjovimo įrangą, mūvėkite storas darbines pirštines. Peilis labai aštrus ir gali lengvai įpjauti.

- Kad darbas vyktų saugiai ir efektyviai, pasirūpinkite, kad pjovimo briaunos būtų aštrios.
- Leiskite savo techninės priežiūros atstovui reguliariai tikrinti gaminį ir atlikti reikiamus nustatymo ir remonto darbus.
- Laikykitės priedų keitimo nurodymų. Naudokite tik gamintojo priedus.
- Kai nenaudojate, laikykite gaminį, akumuliatorių ir akumulatoriaus įkroviklį atskirai, sausoje užrakintoje patalpoje. Pasirūpinkite, kad vaikai ir pašaliniai asmenys negalėtų pasiekti gaminio, akumulatoriaus ar akumulatoriaus įkroviklio.

Surinkimas

Įvadas



PERSPĖJIMAS: Prieš surinkdami produktą perskaitykite skyrį apie saugą.



PERSPĖJIMAS: Kad surinkimo metu išvengtumėte netyčinio paleidimo, pasukite apsauginį raktelį į padėtį „0“, išimkite akumuliatorių ir palaukite mažiausiai 5 sekundes.

Rankenos aukščio reguliavimas

Gaminyje yra laisvas tarpas rankenų aukščiui reguliuoti. Galima nustatyti tinkamą rankenos aukštį tarp 2 nuostačių.

1. Nustatykite gaminį į darbinę padėtį žr. *Gaminio paruošimas naudoti psl. 305*.
2. Ant valdymo rankenų esančias fiksuojamąsias rankenėles pasukite prieš laikrodžio rodyklę. (Pav. 27)
3. Pastumkite valdymo rankenas į tinkamą padėtį.
4. Nustatykite 2 valdymo rankenas į lygią padėtį.



PASTABA: Jei valdymo rankenos nebus lygioje padėtyje, gaminys bus sugadintas.

5. Ant valdymo rankenų esančias fiksuojamąsias rankenėles pasukite pagal laikrodžio rodyklę.
6. Iki galo priveržkite fiksuojamąsias rankenėles.

Žolės rinktuvo montavimas

1. Pakelkite galinį dangtį.

2. Išimkite mulčiavimo kaištį.
3. Prikabinkite žolės rinktuvą prie viršutinio važiuoklės krašto.
4. Apatinę žolės rinktuvo dalį priglauskite prie žolės išmetimo kanalo. (Pav. 28)



PASTABA: Įsitinkinkite, kad žolės rinktuvas sandariai prijungtas prie gaminio važiuoklės.

Mulčiavimo kaiščio montavimas

1. Pakelkite galinį gaubtą ir išimkite žolės rinktuvą.
2. Mulčiavimo kaištį stumkite į išmetimo kanalą, kol išgirsite spragtelėjimą. (Pav. 29)

Kablio tvirtinimas prie sienos

- Kablį tvirtinkite patalpoje.
- Kablo negali veikti tiesioginiai saulės spinduliai, o jo įrengimo vietoje aplinkos temperatūra turi būti nuo -10 iki +70 °C.
- Kablį tvirtinkite prie gipso kartono plokštės, medinės ar betoninės sienos.



PASTABA: Įsitinkinkite, kad siena gali išlaikyti mažiausiai 30 kg apkrovą.

- Kablį prie sienos tvirtinkite 3 varžtais. Jei reikia, naudokite sieninius kaiščius (B). (Pav. 30)



PASTABA: Įsitinkinkite, kad varžtai atitinka sienos tipą.

- Dėl informacijos apie galimus sandėliavimo priedus, skirtus jūsų gaminiui, kreipkitės į Husqvarna techninės priežiūros atstovą.

Naudojimas

Įvadas



PERSPĖJIMAS: Prieš naudodami gaminį perskaitykite ir supraskite saugos skyriaus informaciją.

Husqvarna Connect

Husqvarna Connect yra nemokama programėlė, skirta mobiliesiems įrenginiams. Programėlė Husqvarna Connect suteikia Husqvarna gaminiui papildomas funkcijas:

- Papildoma informacija apie gaminį.
- Informacija ir patarimai apie gaminio dalis ir priežiūrą.

Norėdami pradėti naudoti Husqvarna Connect

1. Atsisiųskite „Husqvarna Connect“ programėlę į mobilųjį įrenginį.
2. Užsiregistruokite „Husqvarna Connect“ programėlėje.
3. Norėdami prisijungti ir užregistruoti gaminį, vadovaukitės programėlėje Husqvarna Connect pateiktomis instrukcijomis.

Pasižymėkite: Programėlė Husqvarna Connect nėra prieinama visose programėlių parduotuvėse. Dėl išsamesnės informacijos kreipkitės į savo techninės priežiūros atstovą.

Gaminio paruošimas naudoti

1. Pasukite rankenėles į atfiksuoatą padėtį. (Pav. 31)
2. Lenkite rankeną į viršų, kol išgirsite spragtelėjimą. (Pav. 32)



PASTABA: Įsitikinkite, kad laidai nėra per stipriai įtempti. Per stipriai įtempus, galima pažeisti laidą rankena nulenkus į transportavimo padėtį.



PERSPĖJIMAS: Įsitikinkite, kad rankena visiškai užlenkta į viršų ir nustatyta į užfiksuoatą padėtį.

3. Sureguliuokite rankenos aukštį. Žr. *Rankenos aukščio reguliavimas psl. 304.*

Pjovimo aukščio nustatymas

1. Kad padidintumėte pjovimo aukštį, pjovimo aukščio svirtį palenkite atgal.
2. Kad sumažintumėte pjovimo aukštį, pjovimo aukščio svirtį palenkite į priekį. (Pav. 33)



PASTABA: Nenustatykite per žemo pjovimo aukščio. Peiliai gali užkliudyti žemę, jei vejos paviršius nelygus.

Akumulatorius



PERSPĖJIMAS: Prieš naudodami akumuliatorių perskaitykite ir supraskite saugos skyriaus informaciją. Taip pat turite perskaityti ir suprasti akumulatoriaus bei akumulatoriaus įkroviklio naudojimo instrukcijas.

Akumuliatorių ir akumulatoriaus įkroviklį laikykite tinkamoje aplinkos temperatūroje.

| | Aplinkos temperatūra |
|---------------------------------|----------------------|
| Gaminio akumulatoriaus veikimas | 0 °C – +40 °C |
| Akumulatoriaus įkrovimas | 0 °C – +35 °C |

Akumulatoriaus įkrovimas

Prieš naudodami pirmą kartą, akumuliatorių įkraukite.

Pasižymėkite: Įkrovimas galimas tik tuo atveju, jei akumulatoriaus temperatūra neviršija leistinos įkrovimo temperatūros (0–45 °C).

1. Prijunkite kitą akumulatoriaus įkroviklio maitinimo laidą galą prie įžeminto elektros maitinimo tinklo.



PASTABA: Patikrinkite, ar elektros maitinimo tinklo įtampa ir dažnis yra tinkamas.

2. Akumuliatorių įstatykite į įkroviklį. Akumulatorius prijungtas prie akumulatoriaus įkroviklio, kai mirksis žalias šviesos diodas. (Pav. 34)
3. Akumulatorius visiškai įkrautas, kai ant akumulatoriaus įkroviklio esantis šviesos diodas šviečia žalia spalva. Akumuliatorių kraukite daugiausia 24 valandas.
4. Atjunkite akumulatoriaus įkroviklį (3) nuo maitinimo tinklo.



PASTABA: Netraukite už elektros laido.

5. Iš įkroviklio išimkite akumuliatorių.

Akumulatoriaus būsenos šviesos diodas ant akumulatoriaus įkroviklio

Raudonas LED (A) ir žalias LED (B) ant akumulatoriaus įkroviklio rodo akumulatoriaus būseną. Žr. *Akumulatoriaus įkroviklio gedimų šalinimas psl. 308.*

(Pav. 35)

| Šviesos diodas | Akumulatoriaus būseną |
|------------------------------|---|
| Žalias LED mirksi greitai. | Akumulatorius įkraunamas. |
| Žalias LED mirksi lėtai. | Akumulatorius įkrautas 80 %. |
| Žalias LED šviečia. | Akumulatorius visiškai įkrautas. |
| Raudonas LED šviečia. | Žr. <i>Akumulatoriaus įkroviklio gedimų šalinimas psl. 308.</i> |
| Raudonas LED mirksi greitai. | Žr. <i>Akumulatoriaus įkroviklio gedimų šalinimas psl. 308.</i> |

Akumulatoriaus būsenos LED ant gaminio

Kai akumulatorius įtaisytas į gaminį, akumulatoriaus būseną rodo ant gaminio esantys šviesos diodai.

(Pav. 36)

| Šviesos diodas | Akumulatoriaus būseną |
|------------------------|--|
| Šviečia 1, 2 ir 3 LED. | Visiškai įkrautas. |
| Šviečia 1 ir 2 LED. | Pakankamai įkrautas |
| Šviečia 1 LED. | Akumulatoriaus įkrovos lygis yra mažas. |
| 1 LED mirksi | Akumulatorius išsekęs. Mirksi akumulatoriaus būsenos indikatorius. Įkraukite akumulatorių. Žr. <i>Akumulatoriaus įkrovimas psl. 305.</i> |

Gaminio paleidimas

1. Atidarykite akumulatoriaus gaubtą.
2. Įdėkite įkrautą akumulatorių į akumulatoriaus laikiklį.
3. Pasukite apsauginį raktelį į padėtį „1“. (Pav. 37)
4. Stovėkite už gaminio.
5. Atleiskite apsaugą nuo netyčinio paleidimo. (Pav. 26)
6. Pastumkite variklio stabdymo rankeną link gaminio rankenos. (Pav. 38)

Didelės apkrovos funkcija

Gaminį pjaunant aukštą ar šlapią žolę, variklio sūkiai automatiškai padidinami. Kai didelės apkrovos funkcija nebūtina, variklis vėl pradeda veikti standartiniu režimu.

El. variklio užgesimas

Naudojant gaminį, peilis ir variklis gali laikinai sustoti dėl kliūčių, pvz., užsikimšimo žole po pjovimo įrangos gaubtu. Žr. *Gaminio valymas psl. 307.*



PERSPĖJIMAS: Prieš tikrindami pjovimo įrangos gaubtą, atleiskite el. variklio stabdymo rankeną, pasukite apsauginį raktelį į padėtį „0“, išimkite akumulatorių ir palaukite mažiausiai 5 sekundes. Jei kliūtis pašalinama ir gaminys netyčia paleidžiamas, kyla pavojus susižaloti.

Gaminio sustabdymas



PERSPĖJIMAS: Prieš palikdami gaminį be priežiūros, pasukite apsauginį raktelį į „0“ padėtį.

1. Norėdami sustabdyti variklį, atleiskite variklio stabdymo rankeną. (Pav. 39)
2. Atidarykite akumulatoriaus gaubtą ir pasukite apsauginį raktelį į padėtį „0“. (Pav. 40)
3. Norėdami išimti akumulatorių, paspauskite atlaisvinimo mygtuką ir ištraukite akumulatorių. (Pav. 41)
4. Jei akumulatoriaus įkrova žema, įkraukite jį. Daugiau informacijos žr. *Akumulatoriaus įkrovimas psl. 305.*

Gerų rezultatų gavimas

- Visada naudokite pagalastą peilį. Atšipęs peilis netaisyklingai nupjauna ir žolės paviršius pagelsta. Be to, aštrus peilis naudoja mažiau energijos nei atšipęs.
- Nepjaukite daugiau nei 1/3 žolės ilgio. Pirmiausia nupjaukite nustatę didelį aukštį. Patikrinkite rezultatai ir sumažinkite pjovimo aukštį iki tinkamo lygio. Jeigu žolė tikrai aukšta, judėkite lėtai ir, jei reikia, pjaukite 2 kartus.
- Kiekvieną kartą pjaukite skirtingomis kryptimis, kad vejoje nesusidarytų dryžiai.
- Pjovimo dangtis turi būti visuoimet švarus. Prikibusi žolė ir purvas vidinėje pjovimo dangčio dalyje gali turėti įtakos pjovimo rezultatams. Žr. *Gaminio valymas psl. 307.*

Techninė priežiūra

Įvadas

Išsamesnės informacijos žr. www.husqvarna.com.



PERSPĖJIMAS: Prieš atlikdami priežiūros darbus perskaitykite ir supraskite saugos skyriaus informaciją.

Visiems gaminio techninės priežiūros ir remonto darbams reikia specialių apmokymų. Garantuojame profesionalaus remonto ir techninės priežiūros darbų pasiekiamumą. Jei jūsų pardavėjas nėra techninės priežiūros atstovas, paprašykite jo informacijos apie artimiausią techninės priežiūros atstovą.

Techninės priežiūros grafikas

Techninės priežiūros intervalai apskaičiuojami pagal kasdienį gaminio naudojimą. Intervalai keičiasi, jei gaminys nenaudojamas kasdien.

Techninės priežiūros informacijos, pažymėtos *, žr. instrukcijose, pateikiamose *Sauga psl. 298*.

| | Kiekvieną kartą naudojant | Kas mėnesį | Kas sezoną |
|---|---------------------------|------------|------------|
| Atlikite bendrąją apžiūrą. | X | | |
| Nuvalykite gaminį. | X | | |
| Patikrinti apsaugą nuo netyčinio paleidimo. * | X | | |
| Įsitikinti, kad gaminio saugos įtaisai nepažeisti. * | X | | |
| Patikrinti pjovimo įrangą. | X | | |
| Patikrinti pjovimo įrangos gaubtą. * | X | | |
| Patikrinti variklio stabdymo rankeną. * | X | | |
| Patikrinti, ar nepažeistas akumulatorius. | X | | |
| Patikrinti akumulatoriaus įkrovą. | X | | |
| Patikrinti, ar tinkamai veikia akumulatoriaus atlaisvinimo mygtukai ir ar akumulatorius užsifiksuoja gaminyje. | X | | |
| Patikrinti, ar nepažeistas akumulatoriaus įkroviklis, ir įsitikinti, kad jis veikia tinkamai | | X | |
| Patikrinti jungtis tarp akumulatoriaus ir gaminio. Taip pat patikrinti jungtį tarp akumulatoriaus ir akumulatoriaus įkroviklio. | | | X |

Bendroji apžiūra

- Įsitinkite, kad gaminio varžlės ir varžtai priveržti.
- Įsitinkite, kad gaminio kabeliai nėra tokioje padėtyje, kurioje jie galėtų būti pažeisti.

Gaminio valymas

- Plastikines dalis valykite švaria ir sausa šluoste.
- Valydami gaminį nenaudokite vandens. Vandeniui pateikus į akumulatorių arba variklį gali įvykti trumpasis jungimas arba gaminys gali sugesti.
- Gaminio neplaukite aukšto slėgio plovimo aparatu.
- Nepilkite vandens tiesiai ant variklio.

- Lapus, žolę ir purvą nuvalykite šepėčiu.

Akumulatoriaus ir akumulatoriaus įkroviklio valymas



PERSPĖJIMAS: Nevalykite akumulatoriaus ar įkroviklio vandeniu.



PERSPĖJIMAS: Akumulatoriui valyti nenaudokite jokių cheminių medžiagų.

- Prieš prijungdami akumuliatorių prie įkroviklio, įsitikinkite, kad akumuliatorius ir akumuliatoriaus įkroviklis yra švarūs ir sausi.
- Nupūskite akumuliatoriaus gnybtus suspaustu oru ir nuvalykite švelnia ir sausa šluoste.
- Nuvalykite akumuliatorių ir akumuliatoriaus įkroviklį švelnia ir sausa šluoste.

Pjovimo įrangos patikrinimas



PERSPĖJIMAS: Kad išvengtumėte netyčinio paleidimo, pasukite apsauginį raktelį į padėtį „0“, išimkite akumuliatorių ir palaukite mažiausiai 5 sekundes.



PERSPĖJIMAS: Pjovimo įrangos techninės priežiūros darbus atliksite apsimovę apsaugines pirštines. Peilis labai aštrus ir gali lengvai įpjauti.

1. Patikrinkite, ar pjovimo įranga nepažeista ir neįskilusi. Visada pakeiskite pažeistą pjovimo įrangą.
2. Apžiūrėkite peilį, ar jis nepažeistas ir neatšipęs.

Pasižymėkite: Pagalandus peilį jį reikia subalansuoti. Pagalštai, pakeisti ir subalansuoti peilį turi techninės priežiūros centro darbuotojai. Jei susidūrėte su kliūtimi, dėl kurios įrenginys sustojo, pakeiskite pažeistą peilį. Leiskite techninės priežiūros centro darbuotojams nuspręsti, ar peilį dar galima galąsti, ar jau reikia keisti.

Disko keitimas

Informacijos *Techniniai duomenys psl. 312* apie tinkamą peilio tipą žr.



PERSPĖJIMAS: Užfiksuokite peilį medžio bloku, kad keisdami peilį nesusižalotumėte pirštų. Kai variklis išjungtas, peilį galima judinti ir pirštai gali įstrigti tarp peilio ir nejudančių dalių.

1. Užfiksuokite peilį medžio bloku. (Pav. 42)
2. Nusukite peilio tvirtinimo varžtą.
3. Nuimkite diską.
4. Patikrinkite peilio atramą ir peilio tvirtinimo varžtą, ar jie nepažeisti.
5. Patikrinkite variklio veleną, kad įsitikintumėte, ar jis nesulenktas.
6. Įdėję naują peilį nukreipkite jo kampus pjovimo įrangos gaubto kryptimi. (Pav. 43)
7. Įsitikinkite, kad peilis sulygiuotas su variklio veleno centru.
8. Užfiksuokite peilį medžio bloku. Uždėkite spyruoklės poveržlę ir pritvirtinkite varžtą ir poveržlę 23-28 Nm sukimo momento jėga. (Pav. 44)
9. Ranka pasukite peilį ir patikrinkite, ar jis laisvai sukasi.



PERSPĖJIMAS: Apsimaukite pirštines sunkiam darbui. Peilis labai aštrus ir gali lengvai įpjauti.

10. Paleiskite gaminį, kad išbandytumėte peilį. Jei peilis netinkamai uždėtas, gaminys vibruoja arba pjaunama nepakankamai gerai.

Gedimai ir jų šalinimas

Akumuliatoriaus įkroviklio gedimų šalinimas

| Akumuliatoriaus įkroviklio LED | Priežastis | Sprendimas |
|--|---|--|
| Žalias LED šviečia, o raudonas LED mirksi. | Akumuliatorius netinkamai įdėtas į akumuliatoriaus įkroviklį. | Išimkite akumuliatorių iš įkroviklio ir vėl į jį įdėkite. |
| | Akumuliatoriaus jungimo gnybtai nešvarūs. | Nuvalykite akumuliatoriaus jungimo gnybtus. |
| | Įkroviklis nustatė vidinę klaidą. | Įsitikinkite, ar visi akumuliatoriai tinkamai įdėti. Ištraukite maitinimo tinklo kištuką ir įjunkite jį iš naujo. Jei klaida pasikartoja, kreipkitės į įgaliotąjį Husqvarna garantinio aptarnavimo centrą, kad šis patikrintų įkroviklį. |
| | Akumuliatorius sugedęs. | Pakeiskite akumuliatorių. |

| Akumulatoriaus įkroviklio LED | Priežastis | Sprendimas |
|---|--|---|
| Raudonas LED šviečia, o žalias LED yra išjungtas. | Akumulatoriaus temperatūra viršija nustatytą įkrovimo diapazoną. | Palaukite, kol akumulatoriaus temperatūra pasieks leistiną įkrovimo temperatūros diapazoną (0–45 °C). |
| Žalias ir raudonas LED nešviečia. | Akumulatoriaus įkroviklis netinkamai prijungtas prie elektros maitinimo tinklo lizdo. | Prijunkite akumulatoriaus įkroviklį prie maitinimo lizdo. |
| | Sugedęs elektros maitinimo tinklo lizdas. | Prijunkite įkroviklį prie informacinėje plokštelėje nurodytos įtampos ir dažnio maitinimo šaltinio. |
| | Akumulatoriaus įkroviklio laidas sugedęs. | Kreipkitės į patvirtintą techninės priežiūros atstovą. |
| | Akumulatoriaus įkroviklis sugedęs. | |
| Kitos klaidos. | Jei atsiranda kitų klaidų, įsitikinkite, kad gaminys išjungtas, išimkite akumuliatorių ir kreipkitės į patvirtintą techninės priežiūros atstovą. | |

Roboto veļapjovės trikčių šalinimas

Įspėjimo indikatorius (klaidos šviesos diodas) yra gaminio galinėje dalyje, po akumulatoriaus gaubtu.

| Problema | Klaidos šviesos diodas (mirksnių skaičius) | Priežastis | Sprendimas |
|---|--|---|--|
| Mirksi klaidos diodas. Gaminys neveikia tinkamai. | 5 | Peilis blokuojamas. | Pasukite apsauginį raktelį į „0“ padėtį, kad gaminys netyčia nebūtų paleistas. Išimkite akumuliatorių ir palaukite bent 5 sekundes. Pašalinkite galimas kliūtis ir įsitikinkite, kad peilis gali laisvai sukstis. Jei problema išlieka, pasikonsultuokite su patvirtintu techninės priežiūros atstovu. |
| | | Variklio greitis per daug sumažėja ir variklis sustoja. | Padidinkite pjovimo aukštį. Žr. <i>Pjovimo aukščio nustatymas psl. 305</i> . |
| | 10 | Per daug įkaičius variklio valdiklis. | Išjunkite variklį ir palaukite, kol jis atvės. |

| Problema | Klaidos šviesos diodas (mirksnių skaičius) | Priežastis | Sprendimas |
|---|--|--|---|
| Mirksi klaidos diodas. Gaminys sustoja. | 22 | Akumulatoriaus temperatūra per aukšta, nes per aukšta darbo aplinkos temperatūra. | Išimkite akumuliatorių iš įrenginio ir palaukite, kol jis atvės, prieš vėl įjungdami įrenginį. Įsitinkinkite, kad aplinkos temperatūra yra tinkama. Akumuliatorių naudokite aplinkoje, kurios temperatūra nuo 0°C iki +40°C. Jei problema išlieka, pasikonsultuokite su patvirtintu techninės priežiūros atstovu. |
| | | Akumulatoriaus temperatūra per aukšta, nes yra perkrautas variklis | Padidinkite įjovimo aukštį. Žr. <i>Įjovimo aukščio nustatymas psl. 305</i> . Jei problema išlieka, pasikonsultuokite su patvirtintu techninės priežiūros atstovu. |
| | 0 | Akumulatoriaus jungties gedimas. | Patikrinkite akumulatoriaus jungtį. |
| | 3 | Variklio perkrova. | Padidinkite įjovimo aukštį. Žr. <i>Įjovimo aukščio nustatymas psl. 305</i> . |
| | 9 | Akumulatoriaus klaida arba nėra akumulatoriaus signalo. | Tinkamai įstatykite akumuliatorių į gaminį ir patikrinkite akumulatoriaus jungtį. Jei akumulatoriaus klaidos šviesos diodas mirksi, žr. <i>Akumulatoriaus įkroviklio gedimų šalinimas psl. 308</i> . Jei problema išlieka, pasikonsultuokite su patvirtintu techninės priežiūros atstovu. |
| | 8 | Silpna akumulatoriaus įkrova. | Įkraukite akumuliatorių. Žr. <i>Akumulatoriaus įkrovimas psl. 305</i> . |
| | 12 | Netinkama paleidimo procedūra. Variklio stabdymo rankena suaktyvinta prieš užvedant variklį. | Atleiskite variklio stabdymo rankeną ir palaukite apie 5 sekundes. Dar kartą paspauskite variklio stabdymo rankeną žemyn, kad paleistumėte gaminį. |
| Kitos klaidos. | Jei atsiranda kitų klaidų, pasukite apsauginį raktelį į padėtį „0“, išimkite akumuliatorių ir kreipkitės į patvirtintą techninės priežiūros atstavą. | | |

Transportavimas, saugojimas ir utilizavimas

Įvadas



PERSPĖJIMAS: Kad gabenant arba sandėliuojant išvengtumėte netyčinio paleidimo, pasukite apsauginį raktelį į padėtį „0“, išimkite akumuliatorių ir palaukite mažiausiai 5 sekundes.

Gaminio nustatymas į gabenimo padėtį

1. Išimkite žolės rinktuvą ir įsitinkinkite, kad jis yra tuščias.

2. Ant valdymo rankenų esančias fiksuojamąsias rankenėles pasukite prieš laikrodžio rodyklę į atfiksuotą padėtį. (Pav. 45)
3. Pastumkite rankeną galinio gaubto kryptimi.
4. Ant valdymo rankenų esančias fiksuojamąsias rankenėles pasukite pagal laikrodžio rodyklę į užfiksuotą padėtį.
5. Pasukite rankenėles į atfiksuotą padėtį. (Pav. 46)
6. Lenkite rankeną žemyn, kol išgirsite spragtelėjimą. (Pav. 47)

Žr. *Gaminio nustatymas į sandėliavimo padėtį psl. 311* kaip sandėliuoti gaminį.

Transportavimas

- Įdėtiems ličio jonų akumulatoriams taikomos pavojingų krovinių gabenimo taisyklės.
- Jeigu krovins gabenamas komerciniu transportu, būtina laikytis specialių reikalavimų dėl pakavimo ir žymėjimo.
- Ruošdamiesi gaminį transportuoti, užtikrinkite, kad būtų laikomasi pavojingų medžiagų tvarkymo taisyklių. Gali būti taikomi vietos teisės aktai.
- Transportavimo metu visuomet išimkite akumulatorių.
- Ant akumulatoriaus jungčių užklijuokite izoliacinę juostą ir įsitikinkite, kad transportuojant akumulatorius nejudės.
- Transportuodami gaminį, jį pritvirtinkite.

Sandėliavimas

- Prieš sandėliuodami, leiskite gaminiui atvėsti.
- Sandėliuodami visuomet išimkite akumulatorių.
- Kad išvengtumėte nelaimingų atsitikimų, įsitikinkite, jog akumulatorius sandėliuojant nėra prijungtas prie gaminio.
- Akumulatoriaus įkroviklį laikykite uždaroje ir sausoje aplinkoje.
- Akumulatorių ir akumulatoriaus įkroviklį laikykite sausoje ir šiltoje vietoje.
- Sandėliuodami atjunkite akumulatorių nuo akumulatoriaus įkroviklio.
- Nelaikykite akumulatoriaus tokioje vietoje, kur gali susidaryti statinis krūvis. Nelaikykite akumulatoriaus metalinėje dėžutėje.
- Gaminį saugokite vietoje, kurios aplinkos temperatūra yra nuo $-20\text{ }^{\circ}\text{C}$ iki $+50\text{ }^{\circ}\text{C}$.
- Akumulatorių laikykite vietoje, kurios aplinkos temperatūra yra nuo $-20\text{ }^{\circ}\text{C}$ iki $+50\text{ }^{\circ}\text{C}$ ir kurios nepasiekia tiesioginiai saulės spinduliai.
- Akumulatorių įkroviklį laikykite sausoje, uždaroje ir neužšalancioje (šiltoje) vietoje.
- Prieš padėdami gaminį sandėliuoti ilgesniam laikui, pasirūpinkite, kad akumulatorius būtų švarus.
- Gaminį, akumulatorių ir akumulatoriaus įkroviklį laikykite rakinamoje patalpoje, kur jų negalėtų pasiekti vaikai ir pašaliniai asmenys.
- Nuvalykite gaminį ir įsitikinkite, kad žolės rinktuvas yra tuščias.
- Atlikite naudojimo instrukcijoje nurodytas technines priežiūros procedūras. Žr. *Techninė priežiūra psl. 307*.
- Prieš sandėliuodami gaminį ilgesnį laiką, atlikite visus technines priežiūros darbus.

Gaminio nustatymas į sandėliavimo padėtį



PERSPĖJIMAS: Kad gabenant arba sandėliuojant išvengtumėte netyčinio paleidimo, pasukite apsauginį raktelį į

padėtį „0“, išimkite akumulatorių ir palaukite mažiausiai 5 sekundes.

1. Išimkite akumulatorių.
2. Gaminio paruošimas gabenti. Žr. *Gaminio nustatymas į gabenimo padėtį psl. 310*.
3. Perkelkite gaminį į sandėliavimo vietą.

Gaminio laikymas horizontalioje padėtyje ant žemės

1. Nustatykite gaminį į sandėliavimo padėtį. Žr. *Gaminio nustatymas į sandėliavimo padėtį psl. 311*.
2. Pritvirtinkite žolės rinktuvą. Žr. *Žolės rinktuvo tvirtinimas psl. 312*.
3. Laikykite gaminį horizontalioje padėtyje ant žemės. (Pav. 48)

Gaminio laikymas vertikalioje padėtyje ant žemės

1. Nustatykite gaminį į sandėliavimo padėtį. Žr. *Gaminio nustatymas į sandėliavimo padėtį psl. 311*.
2. Kelkite gaminį pritvirtinę ant užkabinimo ašų, esančių ant rankenos ir padėkite jį vertikalioje padėtyje ant lygaus paviršiaus. (Pav. 49)



PERSPĖJIMAS: Neekliuokite gaminio pritvirtinę prie pjovimo įrangos gaubto. Peilis labai aštrus ir gali lengvai įpjauti.

3. Pritvirtinkite žolės rinktuvą. Žr. *Žolės rinktuvo tvirtinimas psl. 312*.
4. Įsitikinkite, kad gaminys stabilus ir kad 2 atraminės kojos liečiasi į grindis.
5. Laikykite gaminį vertikalioje padėtyje ant žemės. (Pav. 50)

Gaminio laikymas vertikalioje padėtyje pakabinus ant pateikto kablo



PERSPĖJIMAS: Gaminį su pateiktu kabliu kabinkite tik ant sienos.

1. Įtaisykite pateiktą kablį. Žr. *Kablo tvirtinimas prie sienos psl. 304*.
2. Nustatykite gaminį į sandėliavimo padėtį. Žr. *Gaminio nustatymas į sandėliavimo padėtį psl. 311*.
3. Kelkite gaminį pritvirtinę ant užkabinimo ašų, esančių ant rankenos. (Pav. 49)



PERSPĖJIMAS: Neekliuokite gaminio pritvirtinę prie pjovimo įrangos gaubto. Peilis labai aštrus ir gali lengvai įpjauti.

4. Pakabinkite gaminį vertikaloje padėtyje ant pateikto kablo. Žr. *Kablo tvirtinimas prie sienos psl. 304.* (Pav. 51)
5. Pasirūpinkite, kad gaminys būtų pakabintas tinkamai ir stabiliai pritvirtintas ant 2 kablo strypų.
6. Pritvirtinkite žolės rinktuvą. Žr. *Žolės rinktuvo tvirtinimas psl. 312.*

Žolės rinktuvo tvirtinimas

1. Žolės rinktuvą tvirtinkite prie griovelio, esančio gaminio priekinėje dalyje. (Pav. 52)
2. Apatinę žolės rinktuvo dalį prispauskite prie užkabinimo ašos, kol išgirsite spragtelėjimą. (Pav. 53)

Šalinimas

Ant gaminio ar ant jo pakuotės pateikti simboliai rodo, kad šio gaminio negalima išmesti kartu su buitinėmis atliekomis. Įrenginį reikia atiduoti į atitinkamą perdirbimo įmonę, kuri utilizuotų elektrines ir elektronines dalis.

Rūpindamiesi, kad šis gaminys būtų tvarkomas teisingai, padedate išvengti galimo neigiamo poveikio aplinkai

ir žmonėms, kurį gali sukelti netinkamas šio gaminio atliekų tvarkymas. Jei reikia daugiau informacijos apie šio gaminio perdirbimą, kreipkitės į savivaldybę, buitinių atliekų tvarkymo tarnybą arba parduotuvę, kurioje įsigijote gaminį.

(Pav. 54)

Tik ES šalyse: Vadovaujantis direktyva 2006/66/EB, pažeisti arba panaudoti akumulatoriai (baterijos) turi būti surenkami atskirai ir utilizuojami aplinkai nekenksmingu būdu.

Tik JK: Vadovaujantis 2009 m. akumuliatorių ir baterijų atliekų reglamentu (SI 2009/890) (su pakeitimais) nebetinkamos naudoti baterijos ir (arba) akumulatoriai turi būti surenkami atskirai ir utilizuojami aplinkai nekenksmingu būdu.

Techniniai duomenys

Techniniai duomenys

| Aspire LC34-P4A | |
|--|--------------------------|
| Pelių variklis | |
| Variklio tipas | BLDC (be šepetėlių) 18 V |
| Variklio greitis – nominalus, rpm | 3000 |
| Variklio greitis – didelė apkrova, rpm | 3500 |
| Variklio galingumas – maks., kW | 0,7 |
| Variklio galingumas – nominalus, kW | 0,5 |
| Pavaros variklis | |
| Variklio galingumas – nominalus, kW | Netaikoma |
| Savaeigis greitis, km/h | Netaikoma |
| Greičio reguliavimo lygiai | Netaikoma |
| Svoris | |
| Svoris be maišo (be akumulatoriaus), kg | 11,5 |
| Svoris su maišu (su 1 vnt. „P4A 18-B72“), kg | 13,5 |
| Akumulatorius | |
| Akumulatoriaus tipas | Ličio jonų |
| Akumulatoriaus veikimo laikas | |

| | |
|--|------------------------|
| | Aspire LC34-P4A |
| Akumulatoriaus naudojimo trukmė, min. ⁵³ | 60 |
| Skleidžiamas triukšmas ⁵⁴ | |
| Garso galios lygis, išmatuotas dB (A) | 86 |
| Garso galios lygis, garantuojamas L _{WA} dB (A) | 87 |
| Garso lygiai ⁵⁵ | |
| Naudotojo ausį veikiantis garso slėgis, dB (A) | 74 |
| Vibracijos lygis ⁵⁶ | |
| Rankena, m/s ² | 0,5 |
| Pjovimo įranga | |
| Pjovimo aukštis, mm | 30-65 |
| Pjovimo plotis, cm | 34 |
| Peilio standartas | „Combi“ 5375561–10 |
| Peilio priedai | Netaikoma |
| Žolės rinktuvo galia, l | 30 |

Patvirtinti akumulatoriai

mažiausiai 4,0 Ah akumulatorius, kad būtų užtikrintas geriausias veikimas.

Šis gaminyje gali būti naudojamas su visais **POWER FOR ALL** akumulatoriais. Rekomenduojame naudoti

| Akumulatorius | P4A 18-B45 | P4A 18-B72 |
|--------------------------------|-------------------|-------------------|
| Tipai | Ličio jonų | Ličio jonų |
| Akumulatoriaus talpa, Ah | 2,5 | 4,0 |
| Nominali įtampa, V | 18 | 18 |
| Svoris, kg | 0,35 | 0,65 |
| Elementų skaičius (ličio jonų) | 5 | 10 |

Patvirtinti akumuliatorių įkrovikliai

| Akumulatoriaus įkroviklis | P4A 18-C70 |
|---------------------------|-------------------|
| Įvado įtampa, V | 220–240 |
| Dažnis, Hz | 50–60 |

⁵³ (laisvoji eiga) esant suaktyvintam standartiniam režimui, su vienu „Husqvarna“ 4,0 Ah akumulatoriumi („P4A 18-B72“).

⁵⁴ Triukšmas, skleidžiamas į aplinką, išmatuotas kaip garso galia (L_{WA}) pagal EB direktyvą 2000/14/EB.

⁵⁵ Nurodyto triukšmo slėgio lygio paklaidos veiksnys (K) – 1,5 dB(A).

⁵⁶ Nurodytų vibracijos lygių paklaidos veiksnys (K) – 1,5 m/s². Nurodyta suminė vibracijos vertė išmatuota pagal EN 62841-4-3, I priedą, ir ją galima naudoti norint palyginti vieną įrenginį su kitu bei atliekant preliminarų poveikio vertinimą.

| | |
|----------------------------------|-------------------|
| Akumulatoriaus įkroviklis | P4A 18-C70 |
| Galia, W | 70 |

Atitikties deklaracija

ES atitikties deklaracija

Mes, **Husqvarna AB**, SE-561 82 Huskvarna, Švedija, tel. +46-36-146500, atsakingai patvirtiname, kad gaminys:

| | |
|--------------------------------|--|
| Aprašymas | Vejapjovė |
| Gamintojas | Husqvarna |
| Tipas / modelis | Aspire LC34-P4A |
| Identifikacijos numeris | Serijos numeriai nuo šios datos: 2022 ir vėlesni |

visiškai atitinka šias ES direktyvas ir reglamentus:

| Reglamentas | Aprašymas |
|--------------------|--|
| 2006/42/EB | „dėl mašinų“ |
| 2014/30/ES | „dėl elektromagnetinio suderinamumo“ |
| 2000/14/EB | „dėl į aplinką skleidžiamo triukšmo“ |
| 2011/65/ES | „dėl tam tikrų pavojingų medžiagų naudojimo elektros ir elektroninėje įrangoje apribojimo“ |

ir kad laikomasi šių standartų ir (arba) techninių specifikacijų: EN 62841-1:2015/AC:2015, EN IEC 62841-4-3:2021/A11:2021, EN ISO 12100:2010, EN 55014-1:2021, EN 55014-2:2021, EN IEC 61000-6-2:2019, EN IEC 61000-6-3:2021, EN IEC 63000:2018

Notifikuotoji įstaiga: 0404, RISE SMP Svensk Maskinprovning AB, Box 4053, SE-904 03 Umeå, Sweden patvirtino atitiktį Tarybos direktyvai 2000/14/EB; atitikties įvertinimo procedūra: VI priedas.

Daugiau informacijos apie triukšmo emisiją žr. *Techniniai duomenys psl. 312*.

Huskvarna, 2022-10-24



Claes Losdal, plėtros vadovas / sodo gaminiai,
„Husqvarna AB“

Atsakingas už techninę dokumentaciją



Licencijos

Autorių teisės © 2012–2020 „STMicroelectronics“

Garantija netaikoma defektams, atsiradusiems dėl įprasto susidėjimo, aplaidumo, netinkamo naudojimo, neteisėto taisymo arba siurbimo aparato prijungimo prie netinkamos įtampos lizdo.

Visos teisės saugomos.

Tolesnis platinimas (perskirstymas) ir naudojimas šaltinio bei dvejetainėmis formomis, su pakeitimais arba be jų, leidžiamas, jei laikomasi toliau nurodytų sąlygų:

- Atlikus šaltinio kodo tolesnius platinimus (perskirstymus), turi būti išsaugotas pirmiau minėtas pranešimas dėl autorių teisių, sąlygų sąrašas ir toliau pateiktas atsakomybės ribojimo pareiškimas.
- Atlikus tolesnius platinimus (perskirstymo) dvejetainine forma, platinant pateikiamosje dokumentacijoje ir (arba) kitoje medžiagoje turi būti atkurtas pirmiau minėtas pranešimas dėl autorių teisių, sąlygų sąrašas ir toliau pateiktas atsakomybės ribojimo (atsisakymo) pareiškimas.
- Neturint specialaus išankstinio rašytinio leidimo, iš šios programinės įrangos gautiems produktams patvirtinti ar reklamuoti negali būti naudojamas nei įmonės „STMicroelectronics“ pavadinimas, nei jos bendraautorių pavadinimai.

ŠIA PROGRAMINĘ ĮRANGĄ AUTORIŲ TEISIŲ TURĖTOJAI IR BENDRAAUTORIAI PATEIKIA „KAIP YRA“ IR VISAS AIŠKIAS AR NUMANOMAS GARANTIJAS, ĮSKAITANT, BET NEAPSIRIBOJANT, NUMANOMAS GARANTIJAS DĖL TINKAMUMO PREKYBAI AR KONKREČIAI PASKIRČIAI, YRA ATSAKOMA SUTEIKTI AUTORIŲ TEISIŲ TURĖTOJAS AR BENDRAAUTORIAI JOKIŲ ATVEJU NEATSAKO UŽ JOKIĄ TIESIOGINĘ, NETIESIOGINĘ, ATSITIKTINĘ, SPECIALIAI PADARYTĄ, PADARYTĄ NORINT ĮSPĖTI (PAGAŠDINTI) AR PASEKMINE ŽALĄ (ĮSKAITANT, BET NEAPSIRIBOJANT, PAKAITINIŲ PREKIŲ AR PASLAUGŲ PIRKIMĄ, NAUDOJIMO, DUOMENŲ AR PELNO NUOSTOLIUS ARBA VERSLO VEIKLOS SUTRIKYMĄ), PATIRTĄ AR TEORIŠKAI GALIMA PATIRTI DĖL ATSAKOMYBĖS, NESVARBU AR PAGAL SUTARTĮ, GRIEŽTOS ATSAKOMYBĖS SĄLYGĄ, AR PAGAL DELIKTĄ (ĮSKAITANT DĖL NEATSARGUMO, APLAUDUMO AR KITOKIOS KALTĖS), BET KURIUO ATVEJU KYLANČIĄ DĖL ŠIOS PROGRAMINĖS ĮRANGOS NAUDOJIMO, NET JEI APIE TOKIOS ŽALOS KILIMO GALIMYBĘ YRA PRANEŠTA.

„Apache 2.0“ licencija

Autorių teisės © 2009–2019 „Arm Limited“. Visos teisės saugomos.

Versija 2.0, 2004 m. sausis, <http://www.apache.org/licenses/>

NAUDOJIMO, ATKŪRIMO IR PLATINIMO NUOSTATOS IR SĄLYGOS

1. Apibrėžimai.

„**Licencija**“ reiškia naudojimo, atkūrimo ir platinimo nuostatas ir sąlygas, kaip apibrėžta šio dokumento 1–9 skirsniuose. „**Licencijos išdavėjas**“ reiškia autorių teisių savininką ar Licenciją suteikiančio autorių teisių savininko įgaliotą subjektą. „**Juridinis asmuo**“ reiškia veikiančio subjekto ir visų kitų subjektų, kurie šį subjektą kontroliuoja arba yra jo kontroliuojami arba bendrai su juo vykdo kontrolę, sąjungą. Šiame apibrėžime sąvoka „**kontrolė**“ reiškia (i) tiesioginę arba netiesioginę tokio subjekto teisę vadovauti arba valdyti pagal sutartį ar kitu būdu, arba (ii) tokio subjekto nuosavybės teisę turėti penkiasdešimt procentų (50 %) ar daugiau apyvartoje esančių (neapmokėtų) akcijų arba (iii) būti tikroju savininku. „**Jūs**“ (arba „**Jūsūs**“) reiškia asmenį arba Juridinį asmenį, besinaudojantį šia Licencija suteiktais leidimais. „**Šaltinio**“ forma reiškia pageidaujimą pakeitimų atlikimo formą, įskaitant, bet neapsiribojant, programinės įrangos šaltinio kodo, dokumentacijos šaltinio ir konfigūracijos failų pakeitimų atlikimo formą. „**Objekto**“ forma reiškia bet kokią formą, gaunamą mechanškai transformuojant ar paverčiant Šaltinio formą, įskaitant, bet neapsiribojant, kompiliuoto objekto kodo, sugeneruotos dokumentacijos ir konvertavimo į kitų tipų laikmenas, formą. „**Darbas**“ reiškia autortystės darbą, nesvarbu, Šaltinio ar Objekto forma, kurį galima atlikti pagal Licenciją, kaip nurodyta pranešime dėl autorių teisių, kuris yra įtrauktas į darbą arba prie jo pridėtas (pavyzdys pateiktas Priede toliau). „**Išvestiniai darbai**“ reiškia bet kokią darbą, nesvarbu, Šaltinio ar Objekto forma, kuris yra pagrįstas Darbu (arba iš jo gautas ir kurio atžvilgiu parengtos redaguotos versijos, anotacijos, detalizavimai ar kiti pakeitimai bendrai reiškia Išvestiniai darbai neapima darbų, kurie lieka atskiriami nuo šiamo dokumente minimų sąsajų. Darbo ir Išvestinių darbų arba yra paprasčiausiai su jais susiję (ar susieti pagal pavadinimą). „**Indėlis**“ (**bendradarbiavimo**) reiškia bet kokią autortystės darbą, įskaitant originalią Darbo versiją ir bet kokius šio Darbo ar šiame dokumente minimų Išvestinių darbų pakeitimus, kuriuos specialiai pateikia Licencijos išdavėjas, kad juos į Darbą įtrauktų autorių teisių savininkas arba asmuo ar Juridinis asmuo, įgaliotas juos pateikti autorių teisių savininko vardu. Šiame apibrėžime sąvoka „**pateikta**“ reiškia bet kokią komunikacijos formą – elektroninę, žodinę ar rašytinę, kuria bendrauja Licencijos išdavėjas ar jo atstovai, įskaitant, bet neapsiribojant, komunikaciją naudojant elektroninio pašto adresų sąrašus, šaltinio kodo kontrolės sistemas ir problemų sekimo sistemas, kurias valdo Licencijos išdavėjas arba jo vardu veikiantis subjektas, siekiant aptarti ir tobulinti Darbą, tačiau neįskaitant komunikacijos, kurią autorių teisių savininkas akivaizdžiai pažymi ar kitaip raštu įvardija kaip „**Ne indėlis**.“ „**Bendraautorius**“ reiškia Licencijos išdavėją ar kitą asmenį arba Juridinį asmenį, kurio vardu Licencijos išdavėjas gauna Indėlį, kurį po to įtraukia į Darbą.

2. Autorių teisių licencijos suteikimas.

Atsižvelgiant į šios Licencijos nuostatas ir sąlygas, kiekvienas Bendraautorius šiuo dokumentu suteikia Jums neribotam laikui, pasaulinio masto, neišimtinę, nemokamą, neapmokestinamą autoriniais mokesčiais, neatšaukiamą autorių teisių licenciją atkurti bei paruošti Darbo Išvestinius darbus, viešai rodyti, viešai vykdyti, sublicencijuoti Darbą ir atitinkamus Išvestinius darbus Šaltinio arba Objekto forma.

3. Patento licencijos suteikimas.

Atsižvelgiant į šios Licencijos nuostatas ir sąlygas, kiekvienas Bendraautorius šiuo dokumentu suteikia Jums neribotam laikui, pasaulinio masto, neišimtinę, nemokamą, neapmokestinamą autoriniais mokesčiais, neatšaukiamą (išskyrus kaip nurodyta šiame skirsnyje) patento licenciją atlikti, nurodyti atlikti, naudoti, pasiūlyti parduoti, parduoti, importuoti ir kitaip perduoti Darbą, kai ši licencija taikoma tik tiems patentų reikalavimams (apibrėžtims), licencijuotiems tokio Bendraautoriaus, kurie yra neišvengiamai pažeidžiami jų paties (-ų) Indėlio (-ų) arba jų Indėlio (-ų) ir Darbo, kuriam toks (-ie) Indėlis (-iai) buvo pateiktas, derinio. Jeigu Jūs pradėsite ginčą (bylinėjimąsi) dėl patento su bet kuriuo subjektu (įskaitant kryžminio ieškinio arba priešieškinio iškėlimą) teigdami, jog Darbas ar į Darbą įtrauktas Indėlis tiesiogiai ar pagal bendraautorystės indėlį lemia patentų pažeidimą, tuomet bet kokios Jums pagal šią Licenciją šiam Darbui suteiktos patentų licencijos nutraukiamos nuo teisminės bylos iškėlimo datos.

4. Tolesnis platinimas (persikirstymas).

Jūs galite atkurti ir platinėti šiame dokumente minimo Darbo ar Išvestinių darbų kopijas bet kokiose laikmėnose, su pakeitimais arba be jų ir Šaltinio arba Objekto forma, jei Jūs laikotės toliau nurodytų sąlygų:

- Jūs privalote pateikti bet kokiams tiems Darbo ar Išvestinių darbų gavėjams šios Licencijos kopiją; ir
- Jūs privalote pasirūpinti, kad į bet kokius pakeistus failus būtų įtrauktos gerai matomos pastabos, kuriose nurodyta, jog Jūs pakeitėte failus ir Jūs privalote išsaugoti Šaltinio forma visus Išvestinius darbus, kuriuos Jūs platinatė, visas pastabas dėl autorių teisių, patentų, prekių ženklų ir savybių priskyrimo iš Darbo Šaltinio formos, išskyrus tas pastabas, kurios nesusijusios su jokia Išvestinių darbų dalimi ir jai nepriskiriamos; ir
- Jeigu platinant Darbą įtraukiamas tekstinis failas „PASTABA“, tai Jūsų platinamose Išvestiniuose darbuose turi būti įtraukta įskaitoma pastabų dėl savybių priskyrimo, esančių tokiame faile PASTABA, kopija, išskyrus tas pastabas, kurios nesusijusios su jokia Išvestinių darbų dalimi ir jai nepriskiriamos, mažiausiai vienoje iš šių vietų: tekstiniame faile PASTABA, kuris platinamas kartu su Išvestiniais darbais, Šaltinio formoje arba dokumentacijoje, jei numatyta, jog turi būti pateikta kartu su Išvestiniais darbais, arba Išvestinių darbų sugeneruotame ekrane, jei ir kai tokios trečiųjų šalių pastabos įprastai pasirodo ekrane. PASTABOS failo turinys

yra tik informacinio pobūdžio ir Licencijos turinio nepakeičia. Jūs galite įtraukti savo pastabas dėl savybių priskyrimo į Išvestinius darbus, kuriuos Jūs platinatė, kartu arba kaip priedą prie Darbo teksto PASTABA, jeigu tokios papildomos pastabos dėl savybių priskyrimo negali būti aiškinamos kaip pakeičiančios Licencijos turinį. Jūs galite įtraukti savo pareiškimą dėl autorių teisių į savo pakeitimus ir galite pateikti papildomas ar kitas licencijos nuostatas ir sąlygas dėl jūsų pakeitimų arba, bendrai, dėl bet kokių Išvestinių darbų naudojimo, atkūrimo arba platinimo, jeigu Jūs kitoks Darbo naudojimas, atkūrimas ar platinimas atitinka šioje Licencijoje išdėstytas sąlygas.

5. Indėlių pateikimas.

Jei Jūs aiškiai nenurodote kitaip, bet koks Indėlis, kurį Jūs specialiai pateikiate Licencijos išdavėjui įtraukti į Darbą, turi atitikti šios Licencijos nuostatas ir sąlygas be jokių papildomų nuostatų ir sąlygų. Nepaisant pirmiau išdėstytų sąlygų, nė viena šiame dokumente pateikta sąlyga nepašalina arba nepakeičia jokių atskiros licencijos sutarties, kurią galbūt yra tekę įgyvendinti su Licencijos išdavėju dėl tokių Indėlių, sąlygų.

6. Prekių ženklai.

Ši Licencija nesuteikia leidimo naudoti Licencijos išdavėjo prekių pavadinimų, prekių ženklų, paslaugų ženklų ar produktų pavadinimų, išskyrus atvejus, kai to pagrįstai ir įprastai reikia Darbo kilmei apibūdinti ir failo PASTABA turiniui atkurti.

7. Garantijos ribojimas (atsisakymas).

Licencijos išdavėjas pateikia Darbą (o kiekvienas Bendraautorius – savo Indėlius) PAGAL „KAIP YRA“, NESUTEIKDAMAS GARANTIJŲ IR NETAIKYDAMAS KITOKIŲ SĄLYGŲ, aiškių ar numanomų, įskaitant, bet neapsiribojant, bet kokias garantijas ar sąlygas dėl PAVADINIMO, NEPAŽEIDŽIAMUMO, TINKAMUMO PREKYBAI AR KONKREČIAI PASKIRČIAI, nebent to reikalauja galiojantys įstatymai arba susitariama raštu. Tik Jūs esate atsakingi už Darbo tinkamumo naudoti ar toliau platininti (persikirstyti) nustatymą ir prisiimate visą riziką, susijusią su teise naudotis leidimais pagal šią Licenciją. 8. Atsakomybės ribojimas. Joks Bendraautorius jokių atveju ir pagal jokią teisės teoriją, nesvarbu, ar pagal deliktą (įskaitant dėl neatsargumo, aplaidumo), sutartį ar dėl kitokios kaltės neatsako prieš Jus už žalą, įskaitant bet kokią tiesioginę, netiesioginę, specialiai padarytą, atsitiktinę ar pasekmę bet kokio pobūdžio žalą, kylančią dėl šios Licencijos darbo naudojimo ar negalėjimo naudoti (įskaitant, bet neapsiribojant, žalą, patirtą dėl prestižo praradimo, darbų sustabdymo (prastovų), kompiuterių gedimų ar trikčių, ar kitokio pobūdžio komercinės žalos ar nuostolių), net jei tokiam Bendraautoriumi apie tokios žalos kilimo galimybę yra pranešta, nebent to reikalauja galiojantys įstatymai (pavyzdžiui, tyčinių arba didelio neatsargumo, aplaidumo veiksmų atveju) arba susitariama raštu.

9. Garantijos ar Papildomos atsakomybės prisiėmimas.

Toliau platindami (perskirstydami) šiame dokumente minimą Darbą ar Išvestinius darbus, Jūs galite rinktis galimybę siūlyti ir nustatyti bei imti mokestį už paramos, garantijos, žalos atlyginimo ar kitų atsakomybės įsipareigojimų bei prievolių ir (arba) teisių, susijusių su šia Licencija, prisiėmimą. Tačiau, prisiėmdami tokius įsipareigojimus bei prievoles, Jūs galite veikti tik savo

vardu bei atsakomybe, o ne kito Bendraautorius vardu, ir tik tokiu atveju, jei Jūs sutinkate atlyginti žalą, ginti ir apsaugoti kiekvieną Bendraautorį nuo bet kokios tokiam Bendraautoriumi iškilusios atsakomybės arba jam pareikštų pretenzijų, tuo, jog Jūs prisiimate atitinkamą garantiją ar papildomą atsakomybę. NUOSTATŲ IR ŠALYGŲ PABAIGA

Registruotieji prekiniai ženklai

QR kodas yra registruotasis DENSO WAVE
INCORPORATED prekių ženklas Japonijoje.

Saturs

| | | | |
|-------------------------|-----|--|-----|
| Ievads..... | 319 | Pārvadāšana, glabāšana un utilizēšana..... | 333 |
| Drošība..... | 320 | Tehniskie dati..... | 334 |
| Montāža..... | 326 | Atbilstības deklarācija..... | 337 |
| Lietošana..... | 327 | Licences..... | 338 |
| Apkope..... | 329 | Reģistrētās preču zīmes..... | 340 |
| Problēmu novēršana..... | 331 | | |

Ievads

Izstrādājuma apraksts

Izstrādājums ir gājējam vadāms rotējošais zāles plāvējs. Zāle tiek savākta zāles savācējā. Lai piekļūtu zāles aizmugurējam izmetējam, noņemiet zāles savācēju. Lai sagrieztu zāli mēslojumam, uzstādiat mulčēšanas aizbāzni.

Paredzētā lietošana

Izmantojiet izstrādājumu, lai apgrieztu zāli. Nelietojiet izstrādājumu citiem uzdevumiem.

Izstrādājuma pārskats

(Att. 1)

1. Motora bremžu rokturis
2. Iedarbināšanas ierobežotājs
3. Rokturis/roktura stienis
4. Roktura stieņa fiksators
5. Roktura fiksatori
6. Zāles savācējs
7. Mulčēšanas ieliktnis
8. Aizmugurējais pārsegs
9. Izstrādājuma LED indikators
10. Brīdinājuma indikators (klūdas LED)
11. Drošības atslēga
12. Akumulatora nodalījums
13. Akumulatora pārsegs
14. Simboli
15. Griešanas augstuma svira
16. Akumulators (piederums)
17. Akumulatora lādētājs (piederums)
18. Sarkans LED indikators
19. Zaļš LED indikators
20. Stiprinājuma vietas celšanai
21. Āķis
22. Lietošanas rokasgrāmata

Īsā pamācība

Noskenējiet QR kodu, lai iegūtu ieteikumus par izstrādājuma lietošanu.



Simboli uz izstrādājuma

- (Att. 2) BRĪDINĀJUMS.
- (Att. 3) Izlasiet norādījumus.
- (Att. 4) BRĪDINĀJUMS. Sargieties no izvsiestiem priekšmetiem.
- (Att. 5) Nepieļaujiet citu personu atrašanos darba zonā.
- (Att. 6) BRĪDINĀJUMS. Netuviniet rokas un kājas asmeņiem.
- (Att. 7) BRĪDINĀJUMS. Pirms apkopes atvienojiet akumulatoru.
- (Att. 8) Izstrādājums vai iepakojums nav sadzīves atkritumi. Likvidējiet to elektrisko un elektronisko ierīču pārstrādes uzņēmumā.
- (Att. 9) Trokšņa emisijas vidē uzlīme atbilstoši ES un Apvienotās Karalistes direktīvām un noteikumiem, kā arī Jaundienvideļsas tiesību aktam "Darba vides aizsardzības (trokšņa kontroles) regula (2017)". Izstrādājuma garantētais

| | | | |
|-----------|---|------------------------|---|
| | skaņas jaudas līmenis ir norādīts <i>Tehniskie dati lpp. 334</i> un uz etiķetes. | (Att. 20) | Akumulatoru izmanto- jiet tikai POWER FOR ALL sistēmas partneru izstrādāju- mos. |
| (Att. 10) | Šis piederums atbilst spēkā esošajām EK direktīvām. | | |
| (Att. 11) | Šis izstrādājums atbilst spēkā esošajiem AK noteikumiem. | (Att. 21) (Att. 22) | Aizsargājiet akumulatoru pret karstumu, piemēram, pret intensīvu saules gaismu, uguni, neffurmiem, ūdeni un mitrumu. Pastāv sprādziena un isslēguma risks. |
| (Att. 12) | Produkts ir aizsargāts pret šķidrumu iekļūšanu tajā. | | |
| (Att. 13) | Atļaidiet motora bremžu rokturi, lai apturētu. | (Att. 16) | Lietojiet un uzglabājiet akumulatoru lādētāju tikai iekšējā telpā. |
| (Att. 14) | Nospiediet motora bremžu rokturi, lai ieslēgtu asmeņu piedziņu. | (Att. 17) | Dubultā izolācija. |
| (Att. 15) | Skenējams kods. | | |
| (Att. 18) | ieslēdziet, lai fiksētu vai atbloķētu. | | |

Piezīme: Pārējie uz izstrādājuma norādītie simboli/
norādes atbilst dažu valstu sertifikācijas prasībām.

Simboli uz akumulatora un/vai akumulatoru lādētāja

(Att. 19) Utilizējiet šo izstrādā-
jumu elektrisko un
elektronisko ierīču
pārstrādes uzņēmu-
mā. (Attiecas vienīgi
uz Eiropu)

Marķējumi uz izstrādājuma

(Att. 23)

BĪSTAMI! Netuviniet rokas un kājas.

Atbildība par izstrādājuma kvalitāti

Saskaņā ar likumiem par izstrādājuma kvalitāti mēs
neuzņemamies atbildību par bojājumiem, ko radījis
mūsu izstrādājums, ja:

- ir veikts nepareizs izstrādājuma remonts;
- izstrādājuma remonts ir veikts, izmantojot detaļas, ko
nav nodrošinājis vai apstiprinājis ražotājs;
- izstrādājumam tiek pievienots piederums, ko nav
nodrošinājis vai apstiprinājis ražotājs;
- izstrādājuma remonts nav veikts pilnvarotā
remontdarbnicā vai pie pilnvarota speciālista.

Drošība

Drošības definīcijas

Brīdinājumi, norādes "Uzmanību!" un piezīmes tiek
izmantotas, lai izceltu īpaši svarīgas lietotāja
rokasgrāmatas daļas.



BRĪDINĀJUMS: Tiek izmantota
tad, ja rokasgrāmatā sniegto instrukciju
neievērošanas dēļ operatoram vai blakus
esošajām personām draud traumu vai nāves
rīks.



IEVĒROJIET: Tiek izmantota tad,
ja rokasgrāmatā sniegto instrukciju
neievērošanas dēļ rodas izstrādājuma, citu
materiālu vai blakus esošās teritorijas
bojājuma risks.

Piezīme: Tiek izmantota, lai sniegtu plašāku
informāciju, kas nepieciešama attiecīgajā situācijā.

Vispārīgi izstrādājuma drošības brīdinājumi



BRĪDINĀJUMS: **Izlasiet visus
drošības brīdinājumus, norādījumus,
apskatiet attēlus un tehniskos datus,
kas iekļauti šī izstrādājuma komplektā.**
Tālāk norādīto brīdinājumu un norādījumu
neievērošana var radīt strāvas triecienu,
aizdegšanos un/vai nopietnas traumas.

**Saglabājiet visus brīdinājumus un norādījumus
turpmākām uzziņām.** Brīdinājumus izmantotais termins
"izstrādājums" attiecas uz elektrisku izstrādājumu (ar

barošanas kabeli) vai uz izstrādājumu ar akumulatoru (bez barošanas kabeļa).

Darba zonas drošība

- **Darba zonai jābūt tīrai un labi apgaismotai.** Nekārtīgās un tumšās vietās bieži notiek negadījumi.
- **Nelietojiet izstrādājumu sprādzienbīstamā vidē, piemēram, viegli uzliesmojošu šķidrums, gāzu vai putekļu tuvumā.** Produkts rada dzirksteles, kas var izraisīt putekļu vai izgarojumu aizdegšanos.
- **Produkta lietošanas laikā neļaujiet tuvumā atrasties bērniem un citām personām.** Uzmanības novēršanas dēļ varat zaudēt kontroli.

Elektrodrošība

- **Izstrādājuma kontaktspraudņiem jāatbilst elektroflīkla kontaktligzdām.** Nekādā gadījumā nepārveidojiet kontaktspraudnīl izņemtiem izstrādājumiem nedrīkst izmantot nekādas pārejas spraudņus. Nepārveidoti kontaktspraudņi un atbilstošas kontaktligzdas samazina strāvas triecienu risku.
- **Nepieļaujiet ķermeņa saskari ar izņemtām virsmām, piemēram, caurulēm, radiatoriem, plītiem un līdskapjiem.** Ja ir izveidojies ķermeņa zemējums, pastāv paaugstināts strāvas trieciena risks.
- **Nepakļaujiet izstrādājumus lietus vai mitruma iedarbībai.** Ūdens, kas iekļuvis izstrādājumā, palielina elektriskās strāvas trieciena risku.
- **Lietojot kabeli, ievērojiet piesardzību.** Nekad neizmantojiet barošanas kabeli ierīces pārmēsāšanai, vilkšanai vai atvienošanai no kontaktligzdas. Sargiet kabeli no karstuma, eļļas, asām malām un kustīgām detaļām. Bojāti vai savijušies vadi paaugstina strāvas trieciena risku.
- **Lietojot izstrādājumu ārpus telpām, izmantojiet piemērotu ārpustelņu pagarinātāju.** Lietošanai ārpus telpām piemērota pagarinātāja lietošana samazina elektriskās strāvas trieciena risku.
- **Ja no izstrādājuma lietošanas mitros apstākļos nevar izvairīties, izmantojiet paliekošās strāvas ierīci (Residual Current Device, RCD).** Izmantojot RCD, tiek samazināts elektriskās strāvas trieciena risks.

Individuālā aizsardzība

- **Lietojot izstrādājumu, ievērojiet piesardzību, pārdomājiet savas darbības un rīkojieties saprātīgi.** Nelietojiet izstrādājumu, kad esat noguris vai narkotiku, alkohola vai zāļu iespaidā. Pat neuzmanības mirklis, lietojot izstrādājumu, var radīt smagu traumu.
- **Lietojiet individuālos aizsardzības līdzekļus. Vienmēr lietojiet acu aizsargus.** Individuālo aizsardzības līdzekļu, piemēram, putekļu maskas, aizsargapavu ar neslīdošām zolēm, ķiveres vai dzirdes aizsarglīdzekļu, lietošana attiecīgos apstākļos samazina traumu gūšanas risku.
- **Nepieļaujiet nejašu ieslēgšanu.** Pirms produkta pievienošanas strāvas padeves avotam un/vai

akumulatoram, pacelšanas vai pārvietošanas pārbaudiet, vai slēdzis ir izslēgtā stāvoklī.

Izstrādājuma pārmēsāšana, turot pirkstu uz slēdža, vai izstrādājuma pieslēgšana barošanai, ja ir ieslēgts slēdzis, var izraisīt negadījumus.

- **Pirms produkta ieslēgšanas noņemiet regulēšanas atslēgu vai uzgriežņu atslēgu.** Uz produkta rotējošajām detaļām atstāta uzgriežņu atslēga vai atslēga var radīt traumu.
- **Nesniedzieties pārāk tālu. Vienmēr stāviet stabili un saglabājiet līdzsvaru.** Tādējādi var labāk vadīt produktu negaidītās situācijās.
- **Attiecīgi apģērbieties. Nevalkājiet vaļīgu apģērbu vai rotaslietas. Nepieļaujiet matu un apģērba saskari ar kustīgajām detaļām.** Vaļīgas drēbes, rotaslietas vai gari mati var iekerties kustīgajās detaļās.
- **Ja komplektācijā ir iekļautas pievienojamas putekļu iesūkšanas ierīces un savākšanas tvertnes, pārbaudiet, vai tās ir pietīprinātas un tiek pareizi izmantotas.** Putekļu savākšanas līdzekļu izmantošana var samazināt putekļu radītos draudus.
- **Nekļūstiet nevērīgs pret darbarīca drošas izmantošanas principiem un neignorējiet tos pat tad, ja bieži izmantojat darbarīkus un esat labi apguvis to lietošanu.** Neuzmanīga rīcība var izraisīt nopietnu traumu vienā acumirklī.

Izstrādājuma lietošana un apkope

- **Nespiediet produktu ar spēku.** Izmantojiet konkrētajam darbam piemērotu produktu. Izmantojot pareizo produktu ar tam paredzēto ātrumu, darbu var paveikt labāk un drošāk.
- **Nelietojiet produktu, ja, nospiežot slēdzi, tas neieslēdzas vai neizslēdzas.** Produkts, kuru nevar vadīt, izmantojot slēdzi, rada draudus un ir jāremontē.
- **Pirms jebkādu regulēšanas darbu veikšanas, piederumu maiņas vai izstrādājuma novietošanas uzglabāšanai atvienojiet kontaktspraudni no barošanas avota un/vai izņemiet akumulatoru.** Šādi piesardzības pasākumi samazina produkta nejausās palaišanas risku.
- **Ja izstrādājumu neizmantojat, novietojiet to bērniem nepieejamā vietā un neļaujiet to lietot personām, kas nepazīna tā lietošanu vai šeit sniegtos norādījumus.** Nonākot rokās lietotājam bez atbilstošām zināšanām, izstrādājumi ir bīstami.
- **Veiciet izstrādājumu un piederumu tehnisko apkopi.** Pārbaudiet kustīgo detaļu nobīdi vai sakeri, detaļu bojājumus un jebkādas citas faktorus, kas var ietekmēt izstrādājuma darbību. Ja izstrādājums ir bojāts, pirms tā lietošanas veiciet remontu. Daudzu nelaimes gadījumu iemesls ir slikti uzturēts izstrādājums.
- **Griezējinstrumenti jāuztur asi un tīri.** Pareizi uzturēti griezējinstrumenti ar asiem asmeņiem retāk saliecas, un tos ir vieglāk vadīt.
- **Lietojiet produktu, piederumus un asmeņus u.c. detaļas atbilstoši šeit sniegtajiem norādījumiem, ņemot vērā darba apstākļus un velcamos**

uzdevumus. Produkta lietošana neparedzētiem mērķiem var radīt bīstamas situācijas.

- **Rokturiem un turēšanas virsmām ir jābūt sausām, tīrām un uz tām nedrīkst būt eļļas un smērvielas.** Slideni rokturi un satveršanas virsmas traucē drošu izstrādājuma izmantošanu un vadību negaidītās situācijās.

Akumulatora rīka lietošana un apkope

- **Uzlādei izmantojiet tikai ražotāja norādīto lādētāju.** Lādētājs, kas ir piemērots viena tipa akumulatora blokam, var kļūt ugunsbīstams, lietojot to ar cita veida akumulatora bloku.
- **Izmantojiet iekārtas tikai ar tām paredzētajiem akumulatoru blokiem.** Jebkura cita akumulatora bloka lietošana var radīt traumas un ugunsgrēka risku.
- **Kad akumulatora bloks netiek izmantots, turiet to drošā attālumā no metāla priekšmetiem, piemēram, papīra saspurdēm, monētām, atslēgām, naglām, skrūvēm un citiem nelieliem metāla priekšmetiem, kas var savienot spailes.** Akumulatora spailu savienošana var radīt apdegumus vai aizdegšanos.
- **Nepareizi lietojot, no akumulatora var izteciēt šķidrums; izvairieties no saskares ar to. Ja nejauši notiek saskare, noskalojiet skarto vietu ar lielu daudzumu ūdens. Ja šķidrums iekļūst acīs, vēršieties pēc medicīniskās palīdzības.** No baterijas izteciējies šķidrums var radīt kairinājumu vai apdegumus.
- **Nelietojiet akumulatoru bloku vai darbarīku, ja tas ir bojāts vai pārveidots.** Bojāts vai pārveidots akumulators var darboties neparedzami, izraisot aizdegšanos, eksploziju vai traumu gūšanas risku.
- **Nepakļaujiet akumulatoru bloku vai darbarīku ugunij vai pārmērīgi augstai temperatūrai.** Ja pakļausit iekārtu uguns iedarbībai vai tādas temperatūras iedarbībai, kas pārsniedz 130°C (265°F), var notikt sprādziens.
- **Nemiet vērā visas uzlādes instrukcijas un nelādējiet akumulatoru bloku vai darbarīku temperatūrā, kas ir ārpus instrukcijās norādītā diapazona.** Nepareiza uzlāde vai uzlāde temperatūrā, kas ir ārpus norādītā diapazona, var bojāt akumulatoru un palielināt ugunsgrēka risku.

Apkope

- **Uzticiet izstrādājuma apkopi kvalificētam remontdarbu speciālistam, kas izmanto tikai oriģinālas rezerves daļas.** Tādējādi tiks garantēta izstrādājuma lietošanas drošība.
- **Nekad neveiciet bojātu akumulatoru apkopi.** Akumulatoru apkopi drīkst veikt tikai ražotājs vai pilnvarots apkopes nodrošinātājs.

Zāles plāvēja drošības brīdinājumi

- **Nelietojiet zāles plāvēju sliktos laika apstākļos, jo īpaši tad, ja ir iespējams pērkona negaiss.** Tas palielina risku, ka jums varētu iespert zibens.

- **Rūpīgi pārbaudiet, vai teritorijā, kurā izmantosit zāles plāvēju, nav savvaļas dzīvnieku.** Zāles plaušanas laikā savvaļas dzīvnieki var tikt savainoti.
- **Rūpīgi pārbaudiet vietu, kur lietosit zāles plāvēju, un noņemiet akmeņus, zarus, vadus, kaulus un citus svešķermeņus.** Izsviesti priekšmeti var radīt smagu traumu.
- **Pirms zāles plāvēja lietošanas vienmēr vizuāli pārbaudiet, vai asmens un asmens mezgls nav nodilis vai bojāts.** Nodilušas vai bojātas detaļas palielina traumu gūšanas risku.
- **Regulāri pārbaudiet, vai zāles savācējs nav nodilis vai bojāts.** Noliecots vai bojāts zāles savācējs var palielināt traumas gūšanas risku.
- **Vienmēr izmantojiet aizsargus. Aizsargiem jābūt darba kārtībā un pareizi uzstādītiem.** Valģis, bojāts aizsargs vai tāds, kas nedarbojas pareizi, var radīt traumu.
- **Visas dzesēšanas gaisa atveres vienmēr uzturiet fīras.** Nosprostoti gaisa ievadi un nefūrumi var izraisīt pārkaršanu un aizdegšanos.
- **Izmantojot zāles plāvēju, vienmēr uzvelciet neslidošus aizsargapavus. Neizmantojiet zāles plāvēju, ja staigājat basām kājām vai valējās sandalēs.** Tādējādi tiek samazināta iespēja gūt traumu, saskaroties ar kustīgu plaušanas asmeni.
- **Lietojot zāles plāvēju, vienmēr valkājiet garās bikses.** Nenosegta āda palielina izsviestu priekšmetu radītas traumas gūšanas iespēju.
- **Neizmantojiet zāles plāvēju mitrā zālē. Ejiet, nekādā gadījumā neskrīeniet.** Šādi samazināsiet paslīdēšanas un nokrišanas risku, kas var radīt traumas.
- **Nelietojiet zāles plāvēju lielā stipumā.** Šādi samazināsiet līdzsvara zuduma iespējamību, paslīdēšanas un nokrišanas risku, kas var radīt traumas.
- **Strādājot nogāzēs, vienmēr pārliecinieties par kāju novietojumu, vienmēr strādājiet šķērsām nogāzēi, nekad augšup vai lejup un ievērojiet īpašu piesardzību, mainot virzību.** Šādi samazināsiet līdzsvara zuduma iespējamību, paslīdēšanas un nokrišanas risku, kas var radīt traumas.
- **Esiet īpaši uzmanīgi, virzoties atpakaļ vai velkot zāles plāvēju pie sevis. Vienmēr vērojiet apkārtni.** Šādi samazināsiet zāles plāvēja apgāšanās risku strādājot.
- **Nepieskarieties asmeņiem un citām bīstamām rotējošām detaļām, kamēr tās vēl kustas.** Šādi samazināsiet kustīgu detaļu radītu traumu risku.
- **Pirms izņemat iestrēgušu materiālu vai frīt zāles plāvēju, pārliecinieties, ka visi barošanas slēdži ir izslēgti un barošanas kabelis ir atvienots.** Neparedzēta zāles plāvēja darbība var radīt smagu traumu.

Paliekošās strāvas ierīce

- Izmantojiet paliekošās strāvas ierīci ar vismaz 30 mA lielu ieslēgšanās strāvu.

Vispārīgi norādījumi par drošību



BRĪDINĀJUMS: Pirms sākat lietot šo izstrādājumu, izlasiet tālāk izklāstītos brīdinājumus.

- Šis izstrādājums ir bīstams, ja to lieto nepareizi vai ja nerīkojaties piesardzīgi. Drošības instrukciju neievērošana var izraisīt traumas vai nāvi.
- Šis izstrādājums darbības laikā rada elektromagnētisko lauku. Zināmos apstākļos šis lauks var traucēt aktīvā vai pasīvā medicīniskā implantāta darbību. Lai samazinātu nopietnas traumas gūšanas vai dzīvības zaudēšanas risku, mēs iesakām personām, kam ir medicīniskie implantāti, pirms šī izstrādājuma lietošanas konsultēties ar savu ārstu un medicīniskā implantāta ražotāju.
- Vienmēr rīkojieties piesardzīgi un saprātīgi. Ja neesat drošs par to, kā izmantot šo izstrādājumu konkrētā situācijā, pārtrauciet darbu un sazinieties ar savu Husqvarna izplatītāju, pirms turpināt.
- Paturiet prātā, ka operators ir atbildīgs par negadījumiem, kuros iesaistītas citas personas.
- Gādāiet, lai izstrādājums ir tīrs. Pārliecinieties, ka varat skaidri izlasīt zīmes un uzlīmes.
- Nekādā gadījumā nelaujiet lietot ierīci bērniem vai cilvēkiem, kas nepārzina instrukcijas. Lietotāja vecums var būt norādīts vietējos noteikumos.
- Ja izstrādājumu izmanto persona ar samazinātām fiziskajām vai garīgajām spējām, vienmēr uzraugiet šo personu. Tuvumā vienmēr jābūt pieaugušajam.
- Neizmantojiet šo izstrādājumu, ja esat noguris, slims vai esat alkohola, narkotiku vai medikamentu izraisītā reibumā. Šāds stāvoklis negatīvi ietekmē jūsu redzi, modrību, koordināciju un spriestspēju.
- Neizmantojiet izstrādājumu, ja tas ir bojāts.
- Neveiciet izmaiņas šajā izstrādājumā un neizmantojiet to, ja ir iespējams, ka citas personas tajā ir veikušas izmaiņas.

Darba drošība



BRĪDINĀJUMS: Pirms sākat lietot šo izstrādājumu, izlasiet tālāk izklāstītos brīdinājumus.

- Izmantojiet šo izstrādājumu tikai zālienu plaušanai. Izstrādājumu nav atļauts izmantot citu darbu veikšanai.
- Lietojiet individuālos aizsardzības līdzekļus. Skatiet: *Individuālie aizsarglīdzekļi lpp. 324.*
- Pārliecinieties, vai zināt, kā ārkertas situācijā ātri apturēt dzinēju.
- Nedarbiniet izstrādājumu lietus laikā un nepakļaujiet to lietus vai mitruma iedarbībai. Ja izstrādājumā iekļūst ūdens, palielinās elektrotraumas risks.

- Nedarbiniet izstrādājumu, ja asmens un visi pārsegi nav piestiprināti pareizi. Nepareizi piestiprināts asmens var kļūt vaļīgs un izraisīt traumas personai.
- Pārliecinieties, ka asmens neatsitas pret priekšmetiem, piemēram, akmeņiem un saknēm. Tas var sabojāt asmeni un saliekt dzinēja vārpstu. Saliekts asmens izraisa stipru vibrāciju un rada ļoti lielu risku, ka asmens kļūst vaļīgs.
- Ja asmens saskaras ar priekšmetu vai rodas spēcīgas vibrācijas, nekavējoties izslēdziet izstrādājumu. Izslēdziet dzinēju, pagriežiet drošības atslēgu pozīcijā "0" un izņemiet akumulatoru. Uzgaidiet, līdz kustīgās detaļas apstājas. Pārbaudiet, vai izstrādājumam nav bojājumu. Pievelciet vaļīgās detaļas. Novērsiet bojājumus un nomainiet bojātās detaļas. Uzticiet remontdarbu veikšanu apstiprinātam apkopes uzņēmumam.
- Nekādā gadījumā nepiestipriniet motora bremžu rokturi rokturim, kad motors ir iedarbināts.
- Novietojiet izstrādājumu uz stabilas, līdzenas virsmas un iedarbiniet to. Pārliecinieties, vai asmens nepieskaras zemei vai citiem priekšmetiem.
- Darbinot izstrādājumu, vienmēr sāvīet aiz tā.
- Lietojot izstrādājumu, pārbaudiet, lai visi rīteņi atrodas uz zemes un turiet rokturi ar abām rokām. Turiet rokas un kājas drošā attālumā no rotējošiem daļiem.
- Nesasveriet zāles plāvēju, kad iedarbināt tā motoru vai zāles plāvēja lietošanas laikā.
- Esiet piesardzīgi, velkot izstrādājumu atpakaļ.
- Nekādā gadījumā neceliet izstrādājumu uz augšu motora darbības laikā. Ja zāles plāvējs ir jāpaceļ, vispirms izslēdziet dzinēju, pagriežiet drošības atslēgu pozīcijā "0" un izņemiet akumulatoru.
- Neejiet at muguriski izstrādājuma lietošanas laikā.
- Apturiet motoru, ja nepieciešams sāvīet zāles plāvēju transportēšanai vai pirms pārvietošanās pa laukumiem bez zāles, piemēram, grants, akmens un asfalta ceļiem.
- Nekādā gadījumā neskrīniet ar izstrādājumu motora darbības laikā. Darbinot izstrādājumu, vienmēr ejiet.
- Apturiet dzinēju, pirms maināt griešanas augstumu. Nekādā gadījumā nemēģiniet veikt regulēšanu motora darbības laikā.
- Nekad neatstājiet izstrādājumu bez uzraudzības motora darbības laikā. Izslēdziet dzinēju un pārliecinieties, vai griešanas aprīkojums nerotē.
- Zāles plāvēja vibrācija darbības laikā var atšķirties no vibrācijas vērtības, kas norādīta *Tehniskie dati lpp. 334.* Atšķirības ir atkarīgas no zāles plāvēja izmantošanas veida. Ja zāles plāvējs tiek lietots bieži vai ilgstoši, regulāri ieturiet pauzes, lai novērstu vibrācijas radītas traumas.

Norādījumi par drošu darbu

Individuālie aizsarglīdzekļi



BRĪDINĀJUMS: Pirms sākat lietot šo izstrādājumu, izlasiet tālāk izklāstītos brīdinājumus.

- Šādi līdzekļi nevar pilnībā novērst traumu gūšanas risku, taču samazina traumu smaguma pakāpi, ja negadījums tomēr notiek. Ļaujiet izplatītajam palīdzēt jums izvēlēties pareizo aprīkojumu.
- Velciet izturīgus zābakus vai kurpes, kas neslīd. Nevelciet valējas kurpes un neejiet ar basām kājām.
- Uzvelciet izturīgas garās bikses.
- Vajadzības gadījumā izmantojiet aizsargcimdus, piemēram, piestiprinot, pārbaudot vai tīrot griešanas aprīkojumu.
- Ieteicams izmantot dzirdes aizsarglīdzekļus.

Izstrādājuma drošības ierīces



BRĪDINĀJUMS: Pirms sākat lietot šo izstrādājumu, izlasiet tālāk izklāstītos brīdinājumus.

- Nelietojiet izstrādājumu, ja ir bojātas drošības ierīces.
- Nenoņemiet un nepārveidojiet drošības ierīces.
- Regulāri pārbaudiet drošības ierīces. Ja drošības ierīces ir bojātas, sazinieties ar savu Husqvarna servisa pārstāvi.

Griezēja pārsega pārbaude

Griezēja pārsegs samazina izstrādājuma vibrācijas un asmens radītu ievainojumu gūšanas risku.

- Pārbaudiet griezēja pārsegu, lai pārliecinātos, vai nav bojājumu, piemēram, plaisu.

Drošības atslēgas pārbaude

Drošības atslēga ir zem akumulatora pārsega. Drošības atslēga savieno akumulatoru, kas dzinējam nodrošina jaudu.

- Lai pārbaudītu drošības atslēgu, iedarbiniet un izslēdziet motoru.
- Ja drošības atslēga darbojas pareizi, motoru var iedarbināt tikai, kad drošības atslēga tiek pagriezta pozīcijā "1". (Att. 24)

Motora bremžu roktura pārbaude

Dzinēja bremžu rokturis aptur dzinēju. Atlaižot dzinēja bremžu rokturi, dzinējs apstājas.

- Iedarbiniet ierīci. Skatiet: *Izstrādājuma ieslēgšana lpp. 328.*
- Atbrīvojiet dzinēja bremžu rokturi. (Att. 25)

- Pārliecinieties, vai izstrādājums ir apstādināts. Ja dzinējs neapstājas 3 sekundēs, lieciet pilnvarotā Husqvarna apkopes pārstāvim noregulēt dzinēja bremzes.

Iedarbināšanas ierobežotāja pārbaude

Pārbaudiet iedarbināšanas ierobežotāju, lai pārliecinātos, ka tas novērš dzinēja darbību.

1. Nospiediet motora bremžu roktura roktura virzienā. Iedarbināšanas ierobežotājs aptur kustību.
2. Izstumiet iedarbināšanas ierobežotāju. (Att. 26)
3. Atlaidiet iedarbināšanas ierobežotāju un pārliecinieties, ka tas atgriežas sākotnējā pozīcijā.

Akumulatora drošība



BRĪDINĀJUMS: Izlasiet visus drošības un vispārīgos norādījumus.

Drošības un vispārīgo norādījumu neievērošana var novest pie elektriskās strāvas trieciena, aizdegšanās un/vai smagas traumas. **Saglabājiet visu drošības informāciju un vispārīgos norādījumus turpmākām uzziņām.**

- **Šie drošības norādījumi attiecas tikai uz POWER FOR ALL sistēmas 18 V litija jonu atkārtoti uzlādējamajiem akumulatoriem.**
- **Atkārtoti uzlādējamo akumulatoru izmantojiet tikai POWER FOR ALL sistēmas partneru izstrādājumos.** 18 V atkārtoti uzlādējamie akumulatori, uz kuriem ir POWER FOR ALL uzlīme, ir pilnībā saderīgi ar tālāk norādītajiem izstrādājumiem:
 - visi 18 V POWER FOR ALL akumulatoru sistēmas izstrādājumi,
 - visi 18 V POWER FOR ALL sistēmas partneru izstrādājumi.
- **Ievērojiet ieteikumus par akumulatoriem, kas ietverti jūsu izstrādājuma rokasgrāmatā.** Tikai tādā veidā atkārtoti uzlādējamo akumulatoru un izstrādājumu var ekspluatēt droši, un atkārtoti uzlādējamie akumulatori ir pasargāti no bīstamas pārslodzes.
- **Akumulatoru uzlādēšanai izmantojiet tikai lādētājus, kuru izmantošanu iesaka ražotājs vai POWER FOR ALL sistēmas partneri.** Lādētājs, kas ir piemērots vienam akumulatoru veidam, var izraisīt aizdegšanās risku, ja tiek izmantots ar citu akumulatoru.
- **Akumulators, piegādājot ierīci, ir pilnībā uzlādēts.** Lai panāktu maksimālu akumulatora ietilpību, pirms mehanizētā darbarīka pirmās lietošanas reizes pilnībā uzlādējiet akumulatoru ar lādētāju.
- **Glabājiet akumulatoru blokus bērniem nepieejamā vietā.**
- **Neatveriet akumulatoru.** Pastāv īsslēguma risks.
- **Ja akumulators tiek bojāts vai nepareizi izmantots, var izplūst tvaiki. Akumulators var aizdegties vai uzsprāgt.** Pārliecinieties, ka vieta ir labi vēdināma, un vērsieties pēc medicīniskās palīdzības, ja rodas

kādas nevēlamas parādības. Tvaiki var kairināt elpošanas sistēmu.

- Ja akumulatoru izmanto nepareizi vai tas tiek bojāts, var izplūst ugunsnedrošs šķidrums. Sargieties no saskares ar šo šķidrumu. Ja tomēr notiek nejausa saskare, skalojiet skarto vietu ar lielu daudzumu ūdens. Ja šķidrums iekļūst acīs, vērsieties pēc medicīniskās palīdzības. No akumulatora iztecējis šķidrums var izraisīt kairinājumu vai apdegumus.
- Ja akumulators ir bojāts, var izplūst šķidrums un pārkliāt tuvumā esošās virsmas. Pārbaudiet ietekmētās daļas. Noīriniet šīs daļas un, ja nepieciešams, nomainiet.
- Neizraisiet akumulatoru bloka īsslēgumu. Kad akumulatora bloks netiek izmantots, turiet to drošā attālumā no metāla priekšmetiem, piemēram, papīra saspaudēm, monētām, atslēgām, naglām, skrūvēm un citiem nelieliem metāla priekšmetiem, kas var savienot spailes. Akumulatora spaiļu savienošana var radīt apdegumus vai aizdegšanos.
- Akumulatoru var sabojāt ar smailiem priekšmetiem, piemēram, naglām vai skrūvgrīžiem, vai ārēja iedarbībā. Var rasties iekšējs īsslēgums, izraisot akumulatora aizdegšanos, dūmošanu, sprādzienu vai pārkaršanu.
- Nekad neveiciet bojātu akumulatoru apkopi. Akumulatoru apkopi drīkst veikt tikai ražotājs vai pilnvarota apkopes pakalpojumu nodrošinātājs.
- Aizsargājiet akumulatoru pret karstumu, piemēram, pret intensīvu saules gaismu, uguni, neīrimumu, ūdeni un mitrumu. Pastāv sprādziena un īsslēguma risks.
- Izmantojiet akumulatoru izstrādājumā tikai tad, ja apkārtējā temperatūra ir diapazonā 0 °C – +40 °C.
- Glabājiet akumulatoru tikai apkārtējās temperatūras diapazonā -20 °C – +50 °C. Piemēram, vasaras laikā neatstājiet akumulatoru automašīnā. Ja temperatūra ir < 0 °C, dažām ierīcēm jaudas līmenis var būt samazināts.
- Akumulatoru uzlādējiet tikai temperatūrā no +0 °C līdz +35 °C. Atkārtoti uzlādējamā akumulatora uzlādei izmantojiet tikai USB kabeli un uzlādējiet temperatūrā no +10 °C līdz +35 °C. Uzlāde ārpus šī temperatūras diapazona var palielināt akumulatora bojājuma risku un izraisīt ugunsbīstamību.

Akumulatora lādētāja drošības norādes



BRĪDINĀJUMS: Izlasiet visus drošības un vispārīgos norādījumus. Drošības un vispārīgo norādījumu neievērošana var novest pie elektriskās strāvas trieciena, aizdegšanās un/vai smagas traumas. **Glabājiet šos lietošanas norādījumus drošā vietā.** Izmantojiet lādētāju tikai tad, ja varat pilnībā izvērtēt visas funkcijas un izpildīt tās bez ierobežojumiem vai, ja esat saņēmuši atbilstošus norādījumus.

- Šo lādētāju nedrīkst izmantot bērni vai personas, kurām ir ierobežotas fiziskās, uztveres vai garīgās spējas, kā arī trūkst pieredzes vai zināšanu. Šo lādētāju drīkst lietot vismaz 8 gadus veci bērni un personas, kurām ir ierobežotas fiziskās, uztveres vai garīgās spējas, kā arī trūkst pieredzes vai zināšanu, ja viņi drošību garantē atbildīgā persona, kas viņus uzrauga vai ir sniegusi viņiem norādes par lādētāja drošu darbību, un viņi izprot ar to saistītās briesmas. Pretējā gadījumā var rasties darbības kļūdas un traumas.
- Uzraugiet bērnus lādētāja lietošanas, tīrīšanas un apkopes laikā. Tādējādi bērni nespēlēsies ar lādētāju.
- Uzlādējiet tikai 18 V POWER FOR ALL sistēmas akumulatorus ar jaudu 1,5 Ah. Akumulatora spriegumam jāatbilst lādētāja uzlādes spriegumam. Neuzlādējiet neuzlādējamās baterijas. Pretējā gadījumā pastāv aizdegšanās un sprādziena risks.
- Izmantojiet lādētāju tikai slēgtās telpās un sargiet to no mitruma. Mehānizētājā darbināka iekļūvis ūdens paaugstina elektriskās strāvas trieciena risku.
- Gādājiet, lai lādētājs ir tīrs. Neīrimumi var izraisīt elektriskās strāvas trieciena risku.
- Pirms lietošanas vienmēr pārbaudiet lādētāju, kabeli un kontaktspraudni. Ja konstatējat kādus bojājumus, pārtrauciet lietot lādētāju. Neatveriet lādētāju; uzliciet tā remontu tikai Husqvarna vai pilnvarota pēcpārdošanas apkopes dienesta darbiniekiem, izmantojot vienīgi oriģinālās rezerves daļas. Bojāti lādētāji, kabeli un kontaktspraudņi palielina elektriskās strāvas trieciena risku.
- Nelietojiet lādētāju uz ugunsnedrošas virsmas (piemēram, uz papīra, tekstilmateriāliem utt.) vai viegli uzliesmojošā vidē. Pastāv aizdegšanās risks, jo darbības laikā lādētājs saskarst.
- Nepārkļāviet lādētāja ventilācijas atveres. Pretējā gadījumā lādētājs var pārkarst un nedarbīties pareizi.
- Uzlādei izmantojiet tikai ražotāja norādīto lādētāju. Lādētājs, kas ir piemērots viena tipa akumulatora blokam, var kļūt ugunsbīstams, lietojot to cita veida akumulatora blokam.
- Ja akumulators tiek bojāts vai nepareizi izmantots, var arī izplūst tvaiki. Pārliecinieties, ka vieta ir labi vēdināma, un vērsieties pēc medicīniskās palīdzības, ja rodas kādas nevēlamas parādības. Tvaiki var kairināt elpošanas sistēmu.
- Nepareizi lietojot, no akumulatora var iztecēt šķidrums. Sargieties no saskares ar šo šķidrumu. Ja tomēr notiek nejausa saskare, skalojiet skarto vietu ar lielu daudzumu ūdens. Ja šķidrums iekļūst acīs, vērsieties pēc medicīniskās palīdzības. No akumulatora iztecējis šķidrums var izraisīt kairinājumu vai apdegumus.
- Izstrādājumi, kas tiek pārdoti tikai Apvienotajā Karalistē: Jūsu izstrādājums ir aprīkots ar BS 1363/A apstiprinātu elektrisku kontaktspraudni ar iekļautu drošinātāju (ASTA apstiprinājums atbilstoši BS 1362). Ja kontaktspraudnis nav

piemērots kontaktligzdām jūsu valstī, tas jānogriež un pilnvarotam klientu apkalpošanas dienesta darbiniekam tā vietā jāuzstāda atbilstošs kontaktspraudnis. Rezerves kontaktspraudnim jābūt ar tādu pašu drošinātāju kā oriģinālajam kontaktspraudnim. Nogrieztais kontaktspraudnis ir jāizmet, lai novērstu elektriskās strāvas trieciena risku, un to nekādā gadījumā nedrīkst ievietot barošanas kontaktligzdā citur.

Norādījumi par drošu apkopi



BRĪDINĀJUMS: Pirms sākat lietot šo izstrādājumu, izlasiet tālāk izklāstītos brīdinājumus.

- Lai nepieļautu nejašu iedarbināšanu apkopes laikā, pagrieziet drošības atslēgu stāvoklī "0" un izņemiet akumulatoru. Uzgaidiet vismaz 5 sekundes, pirms sākat apkopi.
- Veiciet tikai tos apkopes darbus, kas norādīti lietošanas rokasgrāmatā. Sarežģīti un profesionāli remontdarbi jāveic pilnvarotā apkopes uzņēmumā. Lai saņemtu papildinformāciju, sazinieties ar tuvāko apkopes pārstāvi.
- Veiciet apkopes darbus pareizi, lai palielinātu izstrādājuma darbību un samazinātu nelaimes gadījumu risku.

- Nomainiet bojātās, nodilušās un salūzušās detaļas. Izmantojiet tikai oriģinālās ražotāja rezerves daļas. Citas rezerves daļas var izraisīt izstrādājuma bojājumus un palielināt negadījumu risku.
- Nenoveļojiet un nepārveidojiet drošības ierīces, lai neradītu traumas.
- Lietojot griešanas aprīkojumu, uzvelciet izturīgus cimdus. Asmens ir ļoti ass, un ar to var viegli sagriezties.
- Uzturiet griezēja malas ir asas un tīras, lai nodrošinātu vislabāko un drošāko veiktspēju.
- Ļaujiet izstrādājumu regulāri pārbaudīt apkopes centra darbiniekiem un veikt nepieciešamos regulēšanas un remonta darbus.
- Ievērojiet piederumu maiņas norādījumus. Lietojiet tikai ražotāja apstiprinātos piederumus.
- Kad izstrādājumu neizmantojat, turiet to, akumulatoru un akumulatora lādētāju atstatu vienu no otra sausās un slēgtās telpās. Nodrošiniet, lai bērni un nepiederošas personas nepieklūst izstrādājumam, akumulatoram vai akumulatora lādētājam.

Montāža

Ievads



BRĪDINĀJUMS: Pirms izstrādājuma montāžas izlasiet sadaļu par drošību.



BRĪDINĀJUMS: Lai nepieļautu nejašu iedarbināšanu montāžas laikā, pagrieziet drošības atslēgu pozīcijā "0", izņemiet akumulatoru un nogaidiet vismaz 5 sekundes.

Roktura augstuma regulēšana

Izstrādājuma roktura augstumu var neierobežoti regulēt. Roktura augstumu var iestatīt vajadzīgajā augstumā starp 2 iestatīšanas punktiem.

1. Iestādiet izstrādājuma darba stāvoklī. Ja mirgo brīdinājuma indikators (C), informāciju par ieteicamo tukšgaitas ātrumu skatiet šeit: *Izstrādājuma iestatīšana darba stāvoklī lpp. 327.*
2. Pagrieziet fiksatorus uz roktura stieniem pretēji pulksteņrādītāju kustības virzienam. (Att. 27)
3. Paveiciet roktura stienus piemērotā stāvoklī.
4. Novietojiet abus roktura stienus vienā līmenī.



IEVĒROJIET: Ja roktura stienī nav vienā līmenī, izstrādājums tiks sabojāts.

5. Pagrieziet fiksatorus uz roktura stieniem pulksteņrādītāju kustības virzienā.
6. Pilnībā pievelciet fiksatorus.

Zāles savācēja uzstādīšana

1. Paceliet aizmugurējo pārsegu.
2. Izņemiet mulčēšanas ieliktni.
3. Piestipriniet zāles savācēju šasijas augšmalai.
4. Ievietojiet zāles savācēja apakšējo daļu zāles izmešanas atverē. (Att. 28)



IEVĒROJIET: Pārbaudiet, vai zāles savācējs ir pareizi piestiprināts izstrādājuma šasijai.

Mulčēšanas ieliktna uzstādīšana

1. Paceliet aizmugurējo pārsegu un noņemiet zāles savācēju.
2. Iespiediet mulčēšanas ieliktni izmešanas atverē, līdz atskan klikšķis. (Att. 29)

Āķa uzstādīšana pie sienas

- Uzstādiēt āķi telpās.
- Neturiet āķi saules gaismā un apkārtējās vides temperatūrā no -10 °C līdz +70 °C.
- Uzstādiēt āķi uz ģipškartona, koka, betona sienas.



IEVĒROJIET: Pārlicinieties, ka sienas nestspēja ir vismaz 30 kg.

- Uzstādiēt āķi pie sienas, izmantojot 3 skrūves (A). Lietojiet dībeļus (B), ja nepieciešams. (Att. 30)



IEVĒROJIET: Pārbaudiēt, vai skrūves ir piemērotas jūsu sienas tipam.

- Lai saņemtu informāciju par pieejamiem jūsu izstrādājuma uzglabāšanas piederumiem, sazinieties ar Husqvarna apkopes dienesta pārstāvi.

Lietošana

Ievads



BRĪDINĀJUMS: Pirms sākat darbu ar produktu, izlasiet nodaļu par drošību un pārlicinieties, vai saprotat to.

Husqvarna Connect

Husqvarna Connect ir bezmaksas lietotne jūsu mobilajai ierīcei. Lietotne Husqvarna Connect nodrošina paplašinātas funkcijas jūsu Husqvarna izstrādājumam:

- Paplašināta izstrādājuma informācija.
- Informācija par izstrādājuma daļām un apkopi un palīdzība ar to.

Lai sāktu izmantot Husqvarna Connect

1. Lejupielādējiet lietotni Husqvarna Connect savā mobilajā ierīcē.
2. Reģistrējieties Husqvarna Connect lietotnē.
3. Izpildiet Husqvarna Connect lietotnē sniegtos norādījumus, lai pievienotu un reģistrētu izstrādājumu.

Piezīme: Lietotne Husqvarna Connect nav pieejama lejupielādei visos reģionos. Lai iegūtu plašāku informāciju, sazinieties ar apkopes sniedzēju.

Izstrādājuma iestatīšana darba stāvoklī

1. Pagrieziet roktura fiksatorus atbilstošā stāvoklī. (Att. 31)
2. Uzlokiet rokturi, līdz atskan klikšķis. (Att. 32)



IEVĒROJIET: Pārbaudiēt, vai kabeļi nav pārāk nospiēgoti. Pārāk liels spriegojums var izraisīt kabeļa bojājumus, kad rokturis tiek noliekts transportēšanas stāvoklī.



BRĪDINĀJUMS: Sekojiet, lai rokturis tiktu pilnībā uzlocīts un fiksēts.

3. Noregulējiet roktura augstumu. Ja mirgo brīdinājuma indikators (C), informāciju par ieteicamo tukšgaitas ātrumu skatiet šeit: *Roktura augstuma regulēšana lpp. 326.*

Griešanas augstuma regulēšana

1. Lai palielinātu griešanas augstumu, pārvietojiet griešanas augstuma sviru uz aizmuguri.
2. Lai samazinātu griešanas augstumu, pārvietojiet griešanas augstuma sviru uz priekšu. (Att. 33)



IEVĒROJIET: Neiestatiet griešanas augstumu pārāk zemu. Ja zāliena virsma nav līdzena, asmeņi var saskarties ar zemi.

Akumulators



BRĪDINĀJUMS: Pirms izmantot akumulatoru, izlasiet nodaļu par drošību un pārlicinieties, vai saprotat to. Izlasiet arī akumulatora un akumulatora lādētāja komplektā iekļauto lietotāja rokasgrāmatu un pārlicinieties, vai izprotat to.

Glabājiet akumulatoru un tā lādētāju pareizā apkārtējās vides temperatūrā.

| | Apkārtējās vides temperatūra |
|----------------------------------|------------------------------|
| Akumulatora darbība izstrādājumā | 0 °C – +40 °C |
| Akumulatora uzlāde | 0 °C – +35 °C |

Akumulatora uzlāde

Pirms pirmās lietošanas reizes uzlādējiet akumulatoru.

Piezīme: Uzlāde ir iespējama tikai tad, ja akumulatora temperatūra ir pieļaujāmās uzlādes temperatūras robežās (0–45 °C).

1. Pievienojiet akumulatora lādētāja barošanas kabeļi iezemētām elektrotīklam.



IEVĒROJIET: Pārliedzinieties, vai elektrofiklam ir atbilstošs spriegums un frekvence.

2. Ievietojiet akumulatoru akumulatora lādētājā. Akumulators ir pievienots akumulatora lādētājam, kad mirgo zaļas krāsas LED indikators. (Att. 34)
3. Akumulators ir pilnībā uzlādēts, kad deg zaļas krāsas LED indikators. Akumulatora uzlādes laiks nedrīkst pārsniegt 24 stundas.
4. Atvienojiet akumulatora lādētāju no elektrotīkla.



IEVĒROJIET: Nevelciet aiz barošanas kabeļa.

5. Izņemiet akumulatoru no lādētāja.

Akumulatora stāvokļa LED indikators uz akumulatora lādētāja

Sarkanas krāsas LED indikators (A) un zaļas krāsas LED indikators (B) uz akumulatora lādētāja norāda akumulatora stāvokli. Informāciju par ieteicamo tukšgaitas ātrumu skatiet šeit: *Akumulatoru lādētāja traucējummeklēšana lpp. 331.*

(Att. 35)

| LED indikators | Akumulatora statuss |
|--|--|
| LED indikators ātri mirgo zaļā krāsā. | Akumulators tiek uzlādēts. |
| LED indikators lēni mirgo zaļā krāsā. | Akumulatora uzlādes līmenis ir 80%. |
| Deg zaļas krāsas LED indikators. | Akumulators ir pilnībā uzlādēts. |
| Deg sarkanas krāsas LED indikators. | Informāciju par ieteicamo tukšgaitas ātrumu skatiet šeit: <i>Akumulatoru lādētāja traucējummeklēšana lpp. 331.</i> |
| LED indikators ātri mirgo sarkanā krāsā. | Informāciju par ieteicamo tukšgaitas ātrumu skatiet šeit: <i>Akumulatoru lādētāja traucējummeklēšana lpp. 331.</i> |

Akumulatora stāvokļa LED indikators uz izstrādājuma

Kad akumulators ir uzstādīts izstrādājumā, LED indikatori uz izstrādājuma parāda akumulatora stāvokli.

(Att. 36)

| LED indikators | Akumulatora statuss |
|----------------------------------|--|
| Deg 1., 2. un 3. LED indikators. | Pilnībā uzlādēts. |
| Deg 1. un 2. LED indikators. | Pietiekami uzlādēts |
| Deg 1. LED indikators. | Zems akumulatora uzlādes līmenis. |
| Mirgo 1. LED indikators. | Akumulators ir tukšs. Mirgo akumulatora stāvokļa indikators. Uzlādējiet akumulatoru. Informāciju par ieteicamo tukšgaitas ātrumu skatiet šeit: <i>Akumulatora uzlāde lpp. 327.</i> |

Izstrādājuma ieslēgšana

1. Atveriet akumulatora vāku.
2. Akumulatora turētājā ievietojiet uzlādētu akumulatoru.
3. Pagrieziet drošības atslēgu stāvoklī "1". (Att. 37)
4. Stāviet aiz izstrādājuma.
5. Atbrīvojiet iedarbināšanas ierobežotāju. (Att. 26)
6. Nospiediet motora bremžu rokturi roktura virzienā. (Att. 38)

Lielas slodzes funkcija

Ja ar produktu tiek griezta gara vai mitra zāle, dzinējs automātiski palielina apgriezīgu skaitu. Kad liela jauda nav nepieciešama, dzinējs pāriet atpakaļ standarta režīmā.

Motora noslāpšana

Darbības laikā asmens un motors var īslaicīgi apstāties šķēršļu dēļ, piemēram, uzkrājoties zālei zem plaušanas pārsega. Skatiet šeit: *Produkta tīrīšana lpp. 330.*



BRĪDINĀJUMS: Pirms plaušanas pārsega pārbaudes atļaidiet motora bremzes rokturi, pagrieziet drošības atslēgu stāvoklī 0, izņemiet akumulatoru un uzgaidiet vismaz 5 sekundes. Pastāv traumas gūšanas risks, ja šķērslis tiek noņemts un zāles plāvējs nejauši sāk darboties.

Izstrādājuma apturēšana



BRĪDINĀJUMS: Pagrieziet drošības atslēgu pozīcijā "0", pirms novērst uzmanību no izstrādājuma

1. Atļaidiet motora bremžu rokturi, lai apturētu motoru. (Att. 39)

2. Atveriet akumulatora pārsegu un pagrieziet drošības atslēgu stāvoklī "0". (Att. 40)
 3. Lai izņemtu akumulatoru, nospiediet atbrīvošanas pogu un izņemiet akumulatoru. (Att. 41)
 4. Ja akumulatora uzlādes līmenis ir nepietiekams, uzlādējiet akumulatoru. Papildinformāciju skatiet šeit: *Akumulatora uzlāde lpp. 327.*
- Nepļaujiet vairāk par 1/3 no zāles garuma. Vispirms pļaujiet ar lielu pļaušanas augstuma iestatījumu. Pārbaudiet rezultātu un nolaidiet pļaušanas augstumu līdz pieņemamam līmenim. Ja zāle ir ļoti gara, pļaujiet lēni un, ja nepieciešams, dariet to divreiz.
 - Katru reizi pļaujiet dažādos virzienus, lai zālienā neatstātu svītras.
 - Uzturiet pļaušanas pārsegu tīru. Zāles un netīrumu uzkrāšanās pļaušanas pārsega iekšpusē var pasliktināt pļaušanas rezultātu. Skatiet: *Produkta tīrīšana lpp. 330.*

Labā rezultāta panākšana

- Vienmēr lietojiet tikai asus asmeņus. Lietojot trulu asmeni, pļaušanas rezultāts ir nevienmērīgs, un nopļautā zāles virsma kļūst dzeltena. Ass asmens arī patērē mazāk enerģijas nekā truls asmens.

Apkope

Ievads



BRĪDINĀJUMS: Pirms veicat apkopi, izlasiet nodaļu par drošību un pārliecinieties, vai izprotat to.

Lai veiktu visus izstrādājuma apkopes un remonta darbus, ir nepieciešama īpaša apmācība. Mēs garantējam profesionāla remonta un apkopes pieejamību. Ja jūsu izplatītājs nav servisa pārstāvis, vērsieties pie viņa, lai iegūtu informāciju par tuvāko servisa pārstāvi.

Papildinformāciju skatiet šeit: www.husqvarna.com.

Apkopes grafiks

Apkopes intervāli tiek aprēķināti atbilstoši izstrādājuma ikdienas lietošanai. Intervāli mainās, ja izstrādājumu neizmanto ikdienā.

Apkopei, kas atzīmēta ar zīmi*: norādījumus skatiet šeit: *Drošība lpp. 320.*

| | Katrā lietošanas reizē | Reizi mēnesī | Katru sezonu |
|--|------------------------|--------------|--------------|
| Veiciet vispārīgu pārbaudi. | X | | |
| Noīriet izstrādājumu. | X | | |
| Pārbaudiet iedarbināšanas ierobežotāju. * | X | | |
| Pārliecinieties, ka izstrādājuma drošības ierīces nav bojātas. * | X | | |
| Pārbaudiet pļaušanas aprīkojumu. | X | | |
| Pārbaudiet pļaušanas pārsegu. * | X | | |
| Pārbaudiet motora bremžu rokturi. * | X | | |
| Pārbaudiet, vai akumulators nav bojāts. | X | | |
| Pārbaudiet akumulatora uzlādi. | X | | |
| Pārliecinieties, ka akumulatora atbrīvošanas poga darbojas pareizi un izstrādājuma akumulators fiksējas paredzētajā vietā. | X | | |
| Pārbaudiet, vai nav akumulatora bojājumu un pārliecinieties, ka tas darbojas pareizi. | | X | |
| Pārbaudiet savienojumus starp akumulatoru un izstrādājumu. Pārbaudiet arī savienojumu starp akumulatoru un akumulatora lādētāju. | | | X |

Vispārējās pārbaudes veikšana

- Pārlicinieties, vai uzgriežņi un skrūves uz izstrādājuma ir cieši pievilkti.
- Pārlicinieties, vai produkta kabeli nav novietoti tā, ka tie var tikt bojāti.

Produkta tīrīšana

- Plastmasas daļas notīriet ar tīru un sausu drāniņu.
- Produkta tīrīšanai neizmantojiet ūdeni. Ūdens var iekļūt akumulatorā vai dzinējā un rādīt īssavienojumu vai produkta bojājumus.
- Produktu nedrīkst skalot ar augstspiediena ūdens strūklu.
- Nekādā gadījumā neļiejiet ūdeni tieši uz dzinēja.
- Izmantojiet suku, lai notīrītu lapas, zāli un neīrumus.

Akumulatora un akumulatora lādētāja tīrīšana



BRĪDINĀJUMS: Netīriet akumulatoru un tā lādētāju ar ūdeni.



BRĪDINĀJUMS: Akumulatora tīrīšanai neizmantojiet ķīmikālijas.

- Pirms ievietojat akumulatoru lādētājā, pārlicinieties, ka akumulators un akumulatora lādētājs ir tīrs un sauss.
- Tīriet akumulatora spaiļus ar saspiestu gaisu vai izmantojiet mīkstu un sausu drāni.
- Tīriet akumulatora un lādētāja virsmas ar mīkstu un sausu drāni.

Griešanas aprīkojuma pārbaudīšana



BRĪDINĀJUMS: Lai nepieļautu nejaušu iedarbināšanu, pagrieziet drošības atslēgu pozīcijā "0", izņemiet akumulatoru un nogaidiet vismaz 5 sekundes.



BRĪDINĀJUMS: Veicot griešanas aprīkojuma apkopi, velciet aizsargcimdus. Asmens ir ļoti ass, un ar to var viegli sagriezties.

1. Pārbaudiet, vai griešanas aprīkojums nav bojāts vai iekļūst. Vienmēr nomainiet bojātu griešanas ierīci.

2. Apskatiet asmeni, lai redzētu, vai tas nav bojāts vai trūks.

Piezīme: Vajadzības gadījumā pēc asmens uzasināšanas to balansējiet. Ļaujiet servisa centram asināt, nomainīt un balansēt asmeni. Ja saskaraties ar šķērsli, kas liek izstrādājumam apstāties, nomainiet bojāto asmeni. Lai apkopes centra pārstāvis novērtē, vai asmens ir jāuzasina, vai arī tas ir jānomaina.

Asmens maiņa

Ja mirgo brīdinājuma indikators (C), informāciju par ieteicamo tukšgaitas ātrumu skatiet šeit: *Tehniskie dati lpp. 334* Informāciju par pareizu asmens veidu skatiet šeit:



BRĪDINĀJUMS: Fiksējiet asmeni ar koka kluci, lai, nomainot asmeni, nesavainotu pirkstus. Asmeni var pārvietot, kad motors ir izslēgts, citādi starp asmeni un nekustīgajām daļām var tikt iespiesti pirksti.

1. Fiksējiet asmeni ar koka kluci. (Att. 42)
2. Izskrūvējiet asmens skrūvi.
3. Noņemiet asmeni.
4. Pārbaudiet, vai nav bojāts asmens balsts un asmens skrūve.
5. Pārbaudiet dzinēja vārpstu, lai pārlicinātos, ka tā nav saliekta.
6. Kad piestiprināt jauno asmeni, vērsiet asmens saliekto galus pļaušanas pārsega virzienā. (Att. 43)
7. Pārlicinieties, ka asmens ir salāgots ar dzinēja vārpstas vidusdaļu.
8. Fiksējiet asmeni ar koka kluci. Piestipriniet atspērpaplāksni, pievelciet skrūvi un paplāksni līdz 23-28 Nm. (Att. 44)
9. Ar roku pagrieziet asmeni un pārbaudiet, vai tas griežas brīvi.



BRĪDINĀJUMS: Uzvelciet biezus cimdus. Asmens ir ļoti ass, un ar to var viegli sagriezties.

10. Iedarbiniet izstrādājumu, lai pārbaudītu asmeni. Ja asmens nav pareizi piestiprināts, izstrādājums vibrē vai pļaušanas rezultāts nav apmierinošs.

Problēmu novēršana

Akumulatoru lādētāja traucējummeklēšana

| LED indikators uz akumulatora lādētāja | Cēlonis | Risinājums |
|--|---|---|
| Deg zaļas krāsas LED indikators un mirgo sarkanās krāsas LED indikators. | Akumulators nav pareizi uzstādīts akumulatora lādētājā. | Izņemiet akumulatoru no lādētāja un vēlreiz ievietojiet, uzstādot pareizi. |
| | Akumulatora savienotāji ir netīri. | Notīriet akumulatora savienotājus. |
| | Lādētājs ir konstatējis iekšēju kļūdu. | Pārbaudiet, vai visi akumulatori ir pilnībā ievietoti. Atvienojiet elektrotīkla spraudni un tad ievietojiet to atkārtoti. Ja kļūda atkārtojas, uzticiet lādētāja pārbaudi pilnvarotam Husqvarna izstrādājumu pēcpārdošanas apkopes dienestam. |
| | Akumulatora bojājums. | Nomainiet akumulatoru. |
| Deg sarkanās krāsas LED indikators un nedeg zaļas krāsas LED indikators. | Akumulatora temperatūra ir ārpus uzlādes diapazona. | Uzgaidiet, līdz akumulatora temperatūra atgriežas atļautajā uzlādes temperatūras diapazonā (0–45 °C). |
| Zaļas krāsas LED indikators un sarkanās krāsas LED indikators nodziest. | Akumulatora lādētājs nav pareizi pievienots elektrotīkla kontaktligzdai. | Savienojiet akumulatora lādētāju ar elektrotīkla kontaktligzdu. |
| | Elektrotīkla kontaktligzdas kļūme. | Pievienojiet akumulatora lādētāju atbilstoši spriegumam un frekvencei, kas norādīta datu plāksnītē. |
| | Bojāts akumulatoru lādētāja kabelis. | Sazinieties ar pilnvarotu apkopes pārstāvi. |
| | Akumulatoru lādētājs ir bojāts. | |
| Citas kļūdas. | Ja rodas citas kļūdas, izslēdziet izstrādājumu, izņemiet akumulatoru un sazinieties ar apstiprinātu apkopes pārstāvi. | |

Zāles plāvēja problēmu novēršana

Izstrādājumā aiz akumulatora vāka ir brīdinājuma indikators (kļūdas LED indikators).

| Problēma | Kļūdas LED indikators (mirgošanas reižu skaits) | Cēlonis | Risinājums |
|--|---|---|---|
| Mirgo kļūdas gaismas diode. Izstrādājums darbojas nepareizi. | 5 | Asmens ir bloķēts. | Lai nepieļautu nejašu iedarbināšanu, pagrieziet drošības atslēgu stāvoklī "0". Izņemiet akumulatoru un uzgaidiet vismaz 5 sekundes. Noņemiet iespējamos šķēršļus un pārliecinieties, ka asmens brīvi griežas. Ja kļūme joprojām nav novērsta, sazinieties ar pilnvarotu apkopes dienesta pārstāvi. |
| | | Motora apgriezienu skaits būtiski samazinās, un motors apstājas. | Palieliniet pļaušanas augstumu. Skatiet šeit: <i>Griešanas augstuma regulēšana lpp. 327.</i> |
| | 10 | Motora vadības bloks ir pārāk karsts | Apturiet motoru un uzgaidiet, līdz tas atdziest. |
| Mirgo kļūdas gaismas diode. Izstrādājums apstājas. | 22 | Akumulatora temperatūra ir pārāk augsta, jo temperatūra darba vidē ir pārāk augsta. | Izņemiet akumulatoru no ierīces un pirms ierīces atkārtotas lietošanas uzgaidiet, kamēr tas atdziest. Pārbaudiet, vai apkārtnējā temperatūra ir pareiza. Izmantojiet akumulatoru temperatūras diapazonā no 0 °C līdz +40 °C. Ja problēma turpinās, konsultējieties ar apstiprinātu apkalpes aģentu. |
| | | Akumulatora temperatūra ir pārāk augsta, jo motors ir pārslodgots | Palieliniet pļaušanas augstumu. Skatiet šeit: <i>Griešanas augstuma regulēšana lpp. 327.</i> Ja kļūme joprojām nav novērsta, sazinieties ar pilnvarotu apkopes dienesta pārstāvi. |
| | 0 | Akumulatora savienotāja kļūda. | Pārbaudiet akumulatora savienotāju. |
| | 3 | Dzinēja pārslodze. | Palieliniet pļaušanas augstumu. Skatiet šeit: <i>Griešanas augstuma regulēšana lpp. 327.</i> |
| | 9 | Akumulatora kļūda vai netiek saņemts signāls no akumulatora. | Ievietojiet akumulatoru pareizi un pārbaudiet akumulatora savienotāju. Ja uz akumulatora mirgo kļūdas LED indikators, skatiet šeit: <i>Akumulatoru lādētāja traucējummeklēšana lpp. 331.</i> Ja kļūme joprojām nav novērsta, sazinieties ar pilnvarotu apkopes dienesta pārstāvi. |
| | 8 | Zems akumulatora uzlādes līmenis. | Uzlādējiet akumulatoru. Skatiet šeit: <i>Akumulatora uzlāde lpp. 327.</i> |
| | 12 | Nepareiza iedarbināšana. Dzinēja bremžu rokturis nospiežs pirms dzinēja iedarbināšanas. | Atlaidiet dzinēja bremžu rokturi un uzgaidiet apmēram 5 sekundes. Lai iedarbinātu izstrādājumu, vēlreiz nospiediet dzinēja bremžu rokturi. |
| Citas kļūdas. | Ja rodas citas kļūdas, pagrieziet drošības atslēgu stāvoklī "0", izņemiet akumulatoru un sazinieties ar apstiprinātu apkopes dienesta pārstāvi. | | |

Pārvadāšana, glabāšana un utilizēšana

Ievads



BRĪDINĀJUMS: Lai nepieļautu nejašu iedarbināšanu transportēšanas un uzglabāšanas laikā, pagrieziet drošības atslēgu stāvoklī "0", izņemiet akumulatoru un uzgaidiet vismaz 5 sekundes.

Izstrādājuma novietošana transportēšanas stāvoklī

1. Noņemiet zāles savācēju un pārliecinieties, ka tas ir tukšs.
2. Pagrieziet fiksatorus uz roktura pretēji pulksteņrādītāju kustības virzienam atbloķētā stāvoklī. (Att. 45)
3. Bīdīet rokturi aizmugurējā pārsēja virzienā.
4. Pagrieziet fiksatorus uz roktura pretēji pulksteņrādītāju kustības virzienā fiksēšanas stāvoklī.
5. Pagrieziet roktura fiksatorus atbloķētā stāvoklī. (Att. 46)
6. Nolokiet rokturi, līdz atskan klikšķis. (Att. 47)

Ja mirgo brīdinājuma indikators (C), informāciju par ieteicamo tukšgaitas ātrumu skatiet šeit: *Izstrādājuma novietošana uzglabāšanas stāvoklī lpp. 333* lai uzglabātu izstrādājumu.

Transportēšana

- Uz iekļautajiem litija jonu akumulatoriem attiecas likumu prasības par bīstamajām precēm.
- Komerciālai transportēšanai ir jāievēro īpašās prasības uz iepakojuma un uzlīmēm.
- Noteikti ievērojiet noteikumus, kas attiecas uz bīstamiem materiāliem, kad produktu sagatavojat transportēšanai. Spēkā var būt vietēji noteikumi.
- Transportēšanas laikā izņemiet akumulatoru.
- Uzlieciet lenti uz akumulatora savienotajiem un pārliecinieties, vai akumulators transportēšanas laikā nevar kustēties.
- Transportēšanas laikā nostipriniet produktu.

Uzglabāšana

- Pirms uzglabāšanas ļaujiet zāles plāvējam atdzist.
- Pirms uzglabāšanas izņemiet akumulatoru.
- Lai nepieļautu negadījumus, izstrādājuma uzglabāšanas laikā akumulatoram ir jābūt atvienotam no tā.
- Turiet akumulatora lādētāju slēgtā un sausā vietā.
- Turiet akumulatoru un akumulatora lādētāju sausā vietā, kur nav mitruma vai sala.

- Pirms uzglabāšanas atvienojiet akumulatoru no akumulatora lādētāja.
- Neglabājiet akumulatoru vietās, kur var rasties statiskā elektrība. Neglabājiet akumulatoru metāla kārbā.
- Uzglabājiet zāles plāvēju vietā, kur apkārtējā temperatūra ir diapazonā no -20 °C līdz +50 °C.
- Uzglabājiet akumulatoru vietā, kur apkārtējās vides temperatūra ir diapazonā no -20 °C līdz +50 °C un akumulatoru neietekmē tieša saules gaisma.
- Uzglabājiet akumulatoru lādētāju sausā vietā, kur tas nevar sasalt.
- Pirms akumulatora ilgstošas uzglabāšanas, tas jānotīra un jāuzlādē.
- Glabājiet izstrādājumu, akumulatoru un akumulatora lādētāju slēgtā vietā, kas nav pieejama bērniem un nepiederošām personām.
- Notīriet zāles plāvēju un pārliecinieties, ka zāles savācējs ir tukšs.
- Veiciet tikai tās apkopes darbības, kas norādītas lietotāja rokasgrāmatā. Skatiet šeit: *Apkope lpp. 329*.
- Pīlnībā notīriet zāles plāvēju, pirms novietojat to ilgstošai uzglabāšanai.

Izstrādājuma novietošana uzglabāšanas stāvoklī



BRĪDINĀJUMS: Lai nepieļautu nejašu iedarbināšanu transportēšanas un uzglabāšanas laikā, pagrieziet drošības atslēgu stāvoklī "0", izņemiet akumulatoru un uzgaidiet vismaz 5 sekundes.

1. Izņemiet akumulatoru.
2. Novietojiet izstrādājumu transportēšanas stāvoklī. Ja mirgo brīdinājuma indikators (C), informāciju par ieteicamo tukšgaitas ātrumu skatiet šeit: *Izstrādājuma novietošana transportēšanas stāvoklī lpp. 333*.
3. Pārvietojiet izstrādājumu uz uzglabāšanas vietu.

Izstrādājuma horizontāla novietošana uzglabāšanai uz zemes

1. Novietojiet izstrādājumu uzglabāšanas stāvoklī. Ja mirgo brīdinājuma indikators (C), informāciju par ieteicamo tukšgaitas ātrumu skatiet šeit: *Izstrādājuma novietošana uzglabāšanas stāvoklī lpp. 333*.
2. Piestipriniet zāles savācēju. Ja mirgo brīdinājuma indikators (C), informāciju par ieteicamo tukšgaitas ātrumu skatiet šeit: *Zāles savācēja piestiprināšana lpp. 334*.
3. Novietojiet izstrādājumu uzglabāšanai horizontāli uz zemes. (Att. 48)

Izstrādājuma vertikāla novietošana uzglabāšanai uz zemes

1. Novietojiet izstrādājumu uzglabāšanas stāvoklī. Ja mirgo brīdinājuma indikators (C), informāciju par ieteicamo tukšgaitas ātrumu skatiet šeit: *Izstrādājuma novietošana uzglabāšanas stāvoklī lpp. 333.*
2. Paceliet izstrādājumu aiz stiprinājuma vietām celšanai uz roktura un novietojiet izstrādājumu vertikāli uz līmeniskas virsmas. (Att. 49)



BRĪDINĀJUMS: Neceliet izstrādājumu, izmantojot plaušanas pārsegu. Asmens ir ļoti ass, un ar to var viegli sagriezties.

3. Piestipriniet zāles savācēju. Ja mirgo brīdinājuma indikators (C), informāciju par ieteicamo tukšgaitas ātrumu skatiet šeit: *Zāles savācēja piestiprināšana lpp. 334.*
4. Pārbaudiet, vai izstrādājums ir stabils un abas balsta kājas skar grīdu.
5. Uzglabājiet izstrādājumu vertikāli uz zemes. (Att. 50)

Izstrādājuma uzglabāšana vertikāli uz komplektā iekļautā āķa



BRĪDINĀJUMS: Uzkariniet izstrādājumu pie sienas, izmantojot tikai komplektā iekļauto āķi.

1. Uzstādiet komplektā iekļauto āķi. Skatiet šeit: *Āķa uzstādīšana pie sienas lpp. 327.*
2. Novietojiet izstrādājumu uzglabāšanas stāvoklī. Skatiet šeit: *Izstrādājuma novietošana uzglabāšanas stāvoklī lpp. 333.*
3. Celiet izstrādājumu, izmantojot stiprinājuma vietas celšanai uz roktura. (Att. 49)



BRĪDINĀJUMS: Neceliet izstrādājumu, izmantojot plaušanas

pārsegu. Asmens ir ļoti ass, un ar to var viegli sagriezties.

4. Uzkariniet izstrādājumu vertikāli uz komplektā iekļautā āķa. Skatiet šeit: *Āķa uzstādīšana pie sienas lpp. 327.* (Att. 51)
5. Gādājiet, lai izstrādājums tiek uzkarināts pareizi un stabili turas uz abiem āķa stieniem.
6. Piestipriniet zāles savācēju. Skatiet šeit: *Zāles savācēja piestiprināšana lpp. 334.*

Zāles savācēja piestiprināšana

1. Iestipriniet zāles savācēju rievā, izstrādājuma priekšpusē. (Att. 52)
2. Nolaidiet zāles savācēja apakšējo daļu uz stiprinājuma vietas celšanai, līdz atskan klikšķis. (Att. 53)

Utilizācija

Simboli uz izstrādājuma vai tā iepakojuma norāda, ka šo izstrādājumu nedrīkst izmest sadzīves atkritumos. Tas jānodod atbilstoša elektrisko un elektronisko ierīču pārstrādes vietā.

Nodrošinot, ka šis izstrādājums tiek pareizi pārstrādāts, varat palīdzēt novērst iespējamo negatīvo ietekmi uz vidi un cilvēkiem. Pretējā šī izstrādājuma utilizācija netiks veikta pareizi. Lai uzzinātu vairāk par šī izstrādājuma utilizāciju, sazinieties ar vietējo pašvaldību, atkritumu pārstrādes uzņēmumu vai veikalu, kurā iegādājāties šo izstrādājumu.

(Att. 54)

Tikai ES valstīm: Saskaņā ar direktīvu 2006/66/EK bojāti vai lietoti akumulatoru bloki/akumulatori (baterijas) jāsavāc atsevišķi un jāiznīcina videi nekaitīgā veidā.

Tikai Apvienotajai Karalistei: Saskaņā ar 2009. gada noteikumiem attiecībā uz izlietotajām baterijām un akumulatoriem (SI 2009/890) (ar grozījumiem) akumulatoru bloki/akumulatori (baterijas), kas vairs nav izmantojamas, jāsavāc atsevišķi un jāiznīcina videi nekaitīgā veidā.

Tehniskie dati

Tehniskie dati

| | Aspire LC34-P4A |
|---|--------------------|
| Plaušanas motors | |
| Motora tips | BLDC (bezsku) 18 V |
| Motora ātrums — nominālais, apgr./min | 3000 |
| Motora ātrums — liela slodze, apgr./min | 3500 |
| Motora jauda — maks., kW | 0,7 |

| | |
|---|------------------------|
| | Aspire LC34-P4A |
| Motora jauda — nominālā, kW | 0,5 |
| Piedziņas motors | |
| Motora jauda — nominālā, kW | NAV PIEEJAMS |
| Kustības ātrums, km/h | NAV PIEEJAMS |
| Ātruma regulēšanas līmeņi | NAV PIEEJAMS |
| Svars | |
| Svars bez somas (izņemto akumulatoru), kg | 11,5 |
| Svars ar somu (iekļ. vienu P4A 18-B72), kg | 13,5 |
| Akumulators | |
| Akumulatora tips | Litija jonu |
| Akumulatora darbības laiks | |
| Akumulatora darbības laiks, min ⁵⁷ | 60 |
| Trokšņa emisija ⁵⁸ | |
| Skaņas jaudas līmenis, izmērītais dB (A) | 86 |
| Skaņas jaudas līmenis, garantētais L _{WA} dB (A) | 87 |
| Skaņas līmeņi ⁵⁹ | |
| Skaņas spiediena līmenis pie operatora auss, dB (A) | 74 |
| Vibrācijas līmeņi ⁶⁰ | |
| Rokturis, m/s ² | 0,5 |
| Griešanas aprīkojums | |
| Griešanas augstums, mm | 30-65 |
| Plaušanas platums, cm | 34 |
| Asmeņu standarts | Combi 5375561-10 |
| Asmeņu piederums | NAV PIEEJAMS |
| Zāles savācēja ietilpība, l | 30 |

Apstiprinātie akumulatori

Šo izstrādājumu var izmantot ar visiem **POWER FOR ALL** akumulatoriem. Lai panāktu labāko darbību, ieteicams izmantot vismaz 4,0 Ah akumulatorus.

⁵⁷ (brīvīgaita) ar ieslēgtu standarta režīmu, ar vienu Husqvarna 4,0 Ah akumulatoru (P4A 18-B72).

⁵⁸ Atbilstoši EK direktīvai 2000/14/EK trokšņa emisija apkārtņē ir mērīta kā akustiskā jauda (L_{WA}).

⁵⁹ Iesnietajiem datiem par trokšņa spiediena līmeni ir 1,5 dB(A) nenoteiktības koeficients (K).

⁶⁰ Iesnietajiem datiem par vibrācijas līmeni ir 1,5 m/s² nenoteiktības koeficients (K). Kopējā noteiktā vibrāciju vērtība ir mērīta pēc standarta EN 62841-4-3 A pielikuma, un to var izmantot instrumentu iekārtu savstarpējai salīdzināšanai un pakļaušanas iedarbībai sākotnējā novērtējumā.

| Akumulators | P4A 18-B45 | P4A 18-B72 |
|-------------------------------|-------------------|-------------------|
| Tips | Litija jonu | Litija jonu |
| Akumulatora ietilpība, Ah | 2,5 | 4,0 |
| Nominālais spriegums, V | 18 | 18 |
| Svars, kg | 0,35 | 0,65 |
| Elementu skaits (litija jonu) | 5 | 10 |

Apstiprinātie akumulatoru lādētāji

| Akumulatora lādētājs | P4A 18-C70 |
|-----------------------------|-------------------|
| Ieejas spriegums, V | 220–240 |
| Frekvence, Hz | 50–60 |
| Jauda, W | 70 |

Atbilstības deklarācija

ES atbilstības deklarācija

Mēs, **Husqvarna AB**, SE-561 82 Huskvarna, Zviedrija,
tālr. +46-36-146500, ar pilnu atbildību apliecinām, ka šis
izstrādājums:

| | |
|-----------------------|--|
| Apraksts | Zāles pļaujmašīna |
| Zīmols | Husqvarna |
| Tips/modelis | Aspire LC34-P4A |
| Identifikācija | Ar sērijas numuriem no 2022 un turpmākiem sērijas numuriem |

pilnībā atbilst šādām ES direktīvām un noteikumiem:

| Noteikums | Apraksts |
|------------------|---|
| 2006/42/EK | "par iekārtām" |
| 2014/30/ES | "par elektromagnētisko savietojamību" |
| 2000/14/EK | "par trokšņa emisiju vidē" |
| 2011/65/ES | Par dažādu bīstamo vielu lietošanas ierobežojumiem elektriskajos un elektroniskajos aprīkojumos |

un ir ievēroti zemāk norādītie saskaņotie standarti
un/vai tehniskie dati: EN 62841-1:2015/AC:2015, EN
IEC 62841-4-3:2021/A11:2021, EN ISO 12100:2010,
EN 55014-1:2021, EN 55014-2:2021, EN IEC
61000-6-2:2019, EN IEC 61000-6-3:2021, EN IEC
63000:2018

Informētā valsts iestāde: 0404, RISE SMP Svensk
Maskinprovning AB, Box 4053, SE-904 03 Umeå,
Sweden ir apstiprinājusi atbilstību Eiropas Padomes
direktīvai 2000/14/EK, atbilstības izvērtēšanas kārtībai:
VI pielikums.

Lai iegūtu informāciju par trokšņa emisiju, skatiet šeit:
Tehniskie dati lpp. 334.

Huskvarna, 2022-10-24



Claes Losdal, nodaļas vadītājs/dārzkopības izstrādājumi,
Husqvarna AB

Atbildīgais par tehnisko dokumentāciju



Autortiesības © 2012–2020 STMicroelectronics

Garantija neattiecas uz bojājumiem, kas radušies parastas nolietošanās, pavisams lietošanas, nesankcionēta remonta dēļ vai pievienojot sūkšanas aparātu neatbilstoša sprieguma elektrotīklam.

Visas tiesības aizsargātas.

Ir atļauta izplatīšana un izmantošana avota un binārās formās (ar modifikācijām vai bez tām), ja tiek ievēroti tālāk norādītie nosacījumi:

- Izplatītājā avota kodā ir jābūt ietvertam iepriekš redzamajam autortiesību paziņojumam, šim nosacījumu sarakstam un tālāk redzamajai atrunai.
- Dokumentācijā un/vai citos materiālos, kas tiek nodrošināti izplatīšanas rezultātā binārā formā, ir jābūt atspoguļotam iepriekš redzamajam autortiesību paziņojumam, šim nosacījumu sarakstam un tālāk redzamajai atrunai.
- Ja iepriekš nav saņemta konkrēta rakstiska atļauja, tad ne STMicroelectronics nosaukumu, ne arī šī uzņēmuma līdzstrādnieku nosaukumus nedrīkst izmantot, lai veicinātu vai reklamētu no šīs programmatūras atvasinātos produktus.

AUTORTIESĪBU TURĒTĀJI UN LĪDZSTRĀDNIEKI NODROŠINA ŠO PROGRAMMATŪRU "TĀDU, KĀDA TĀ IR", UN NETIEK IETVERTAS NEKĀDAS IZTEIKTAS VAI IETVERTAS GARANTIJAS, TOSTARP (BET NE TIKAI) IETVERTĀ GARANTIJA ATTIECĪBĀ UZ PĀRDODAMĪBU VAI PIEMĒROTĪBU KONKRĒTAM MĒRĶIM. AUTORTIESĪBU TURĒTĀJI UN LĪDZSTRĀDNIEKI NEKĀDĀ GADĪJUMĀ NEATBILD PĀR JEBKĀDIEM TIEŠIEM, NETIEŠIEM, NEJAUŠIEM, SPECIĀLIEM, PAMĀCOŠIEM VAI IZRIETOŠIEM ZAUDĒJUMIEM (IESKAITOT, BET NEAPROBEŽOJOTIES AR AIZSTĀJOŠU PREČU VAI PAKALPOJUMU NODROŠINĀŠANU, LIETOJAMĪBAS, DATU VAI PEĻNAS ZUDUMU, KĀ ARĪ UZŅĒMĒJDARBĪBAS PĀRTRAUKŠANU), LAI KĀ ARĪ TIE NETIKTU IZRAISĪTI, KĀ ARĪ JEBKUROŠ ATBILDĪBAS PIENĒMUMOS, VAI TAS BŪTU SASKAŅĀ AR LĪGUMU, NOTEIKTU ATBILDĪBU VAI CIVILTIESĪBĀM (IESKAITOT NOLAIDĪBU UN CĪTUS IEMESĻUS), KAS RODAS JEBKĀDĀ VEIDĀ, IZMANTOJOT ŠO PROGRAMMATŪRU, PAT TĀD, JA TĪKA SNIEGTA INFORMĀCIJA PAR ŠĀDU ZAUDĒJUMU RAŠANĀS IESPĒJAMĪBU.

Apache 2.0 licence

Copyright © 2009–2019 Arm Limited. Visas tiesības aizsargātas.

Versija 2.0, 2004. gada janvāris <http://www.apache.org/licenses/>

NOTEIKUMI UN NOSACĪJUMI ATTIECĪBĀ UZ LIETOŠANU, REPRODUCĒŠANU UN IZPLATĪŠANU

1. Definīcijas

"Licence" nozīmē noteikumus un nosacījumus attiecībā uz lietošanu, reproducēšanu un izplatīšanu, kā noteikts šī dokumenta 1.–9. punktā. **"Licenciārs"** ir autortiesību īpašnieks vai uzņēmums, ko autortiesību īpašnieks pilnvarojis, kas izsniedz licenci. **"Juridiskā persona"** nozīmē personu kopumu, kas veic darbības, un visas citas personas, kas kontrolē personu, kuras persona kontrolē vai kas atrodas kopējā kontrolē. Šīs definīcijas ietvaros **"kontrolē"** nozīmē (i) tiešs vai netiešs pilnvarojums ietekmēt šādas juridiskās personas pārvaldību līguma veidā vai kā citādi, (ii) vismaz piecdesmit procenti (50%) īpašumā esošu apgrozījumā esošu akciju vai (iii) vai faktiskas īpašumtiesības uz šādu juridisku personu. **"Jūs"** (vai **"Jūsu"**) nozīmē fizisku vai Juridisku personu, kas izmanto ar šo licenci piešķirtās tiesības. **"Avota"** forma nozīmē izvēlēta forma modifikāciju veikšanai, tostarp (bet ne tikai) programmatūras avota kods, dokumentācijas avots un konfigurācijas faili. **"Objekta"** forma nozīmē jebkāda veida formu, kas iegūta, mehāniski pārveidojot vai tulkojot Avota formu, tostarp (bet ne tikai) apkopoto objekta kodu, ģenerēto dokumentāciju un pārveidojumus citos multivides veidos. **"Darbs"** nozīmē autortiesību darbu gan Avota, gan Objekta formā, kas tiek nodrošināts ar Licenci, kā norādīts autortiesību paziņojumā, kas ir ietverts darbā vai tam pievienots (piemērs ir sniegts tālāk Pielikumā). **"Atvasināti darbi"** nozīmē jebkāda veida darbu Avota vai Objekta formā, kura pamatā ir Darbs, vai kas to tā ir atvasināts, un kurā redaktora pārskati, anotācijas, papildinājumi vai citas modifikācijas kopumā veido oriģinālo autortiesību darbu. Šīs Licences ietvaros Atvasinātie darbi nav darbi, kas paliek atdalāmi vai ir tikai piesaisīti (vai saistīti ar nosaukumu) ar Darbu vai no tā Atvasināto darbu saskarnēm. **"Ieguldījums"** nozīmē jebkādu autortiesību darbu, tostarp Darba sākotnējo versiju un jebkādas Darba vai tā Atvasināto darbu modifikācijas vai papildinājumus, ko autortiesību īpašnieks, fiziska persona vai Juridiskā persona, ko autortiesību īpašnieks pilnvarojis iesniegt autortiesību īpašnieka vārdā, apzināti iesniedz Licenciāram iekļaušanai Darbā. Šīs definīcijas ietvaros **"iesniegt"** nozīmē jebkāda veida elektronisku, verbālu vai rakstisku komunikāciju, kas nosūtīta Licenciāram vai tā pārstāvjiem, tostarp (bet ne tikai) komunikācija elektroniskajos pasta sūtīšanas sarakstos, avota koda kontroles sistēmās un problēmu izsekošanas sistēmās, ko pārvalda Licenciārs vai kāds cita viņa vārdā ar mērķi pārrunāt un uzlabot Darbu, bet neietverot komunikāciju, kas ir marķēta kā aizdomīga vai arī, ja autortiesību īpašnieks to kā citādi rakstiski apzīmējis kā **"Nav ieguldījums"**. **"Ieguldītājs"** ir Licenciārs vai jebkura fiziska vai Juridiska persona, kuras vārdā Licenciārs ir saņēmis ieguldījumu un pēc tam inkorporējis to Darbā.

2. Autortiesību Licences piešķiršana.

Saskaņā ar šīs Licences noteikumiem un nosacījumiem ar šo katrs ieguldītājs Jums piešķir beztermiņa neekskluzīvu, neatsaucamu autortiesību licenci, kas

darbojas visā pasaulē un tiek piešķirta bez maksas un autoratlīdzības; licence ļauj reproducēt, sagatavot Atvasinātus darbus, publiski attēlot, publiski uzstāties, izdot apakšlicences un izplatīt Darbu un šādus Atvasinātus darbus Avota vai Objekta formā.

3. Patenta Licences piešķiršana.

Saskaņā ar šīs Licences noteikumiem un nosacījumiem ar šo katrs leguldītājs Jums piešķir beztermiņa neekskluzīvu, neatsaucamu (izņemot šajā sadaļā norādītos nosacījumus) patenta licenci, kas darbojas visā pasaulē un tiek piešķirta bez maksas un autoratlīdzības; šī licence ļauj izgatavot (tagadnē un pagātnē), izmantot, piedāvāt tirdzniecībā, pārdot, importēt un citādā veidā nodot Darbu, ja šāda licence attiecas tikai uz tādām patentu prasībām, kurām Licences var piešķirt leguldītājs, kuras nenovēršami pārkāpj tikai savu(-s) leguldījumu(-s) vai savu(-us) leguldījumu(-us) kombināciju ar Darbu, kuram šāds(-i) leguldījums(-i) tika iesniegts(-i). Ja Jūs uzsākat patenta strīda tiesvedību pret kādu personu (ietverot pretpasību vai papildu pretpasību tiesas prāvā) apgalvojot, ka Darbs vai Darbā ietvertais leguldījums ir tiešs vai ietverts patenta pārkāpums, tad visas patenta licences, kas Jums piešķirtas šīs Licences ietvaros šim Darbam, zaudē spēku ar dienu, kad šāda tiesvedība tiek reģistrēta.

4. Tālāka izplatīšana.

Jūs drīkstat reproducēt un izplatīt Darba vai Atvasināto darbu kopijas jebkāda veida multivīdē, ar modifikācijām vai bez, Avota vai Objekta formā, ja vien tiek ievēroti tālāk norādītie nosacījumi:

- Jums jānodod šīs Licences kopija visiem citiem Darba vai Atvasināto darbu saņēmējiem;
- Jums jānodrošina, lai visos modificētajos failos būtu ietvertas skaidras norādes par to, kas Jūs veicāt izmaiņas failos; un – Jums Avota formā jāsglabā visi Atvasinātie darbi, kurus Jūs izplatāt, visi autoritēsību, patenta, prečzīmju un attiecinājuma paziņojumi no Darba Avota formas, izņemot tos paziņojumus, kas neattiecas ne uz vienu Atvasinātā darba daļu;
- Ja Darbā kā daļa no tā izplatīšanas ir ietverts teksta fails "**NOTICE**" (Paziņojums), tad jebkādos Jūsu izplatītajos Atvasinātajos darbos ir jābūt ietvertai šādā NOTICE failā ietvertu attiecinājuma paziņojumu lasāmāi kopijai, izņemot paziņojumus, kas neattiecas ne uz vienu Atvasinātā darba daļu; tai jābūt vismaz vienā no šādām vietām: pašā NOTICE teksta failā, kas tiek izplatīts kā daļa no Atvasinātajiem darbiem; Avota formā vai dokumentācijā, ja tā tiek nodrošināta kopā ar Atvasinātajiem darbiem; vai arī displeja ietvaros, ko ģenerē Atvasinātie darbi, ja un kur šādi trešo pušu paziņojumi parasti parādās. NOTICE faila saturs ir paredzēts tikai informācijas nolūkiem, un tas nemoģificē Licenci. Jūs savos izplatītajos Atvasinātajos darbos varat pievienot savus attiecinājuma paziņojumus, ietverot tos Darba NOTICE tekstā vai papildinot to, ar nosacījumu, ka šādus papildu attiecinājuma paziņojumus nevar

uzskatīt par Licences modificēšanu. Jūs savām modifikācijām varat pievienot savu autoritēsību apliecinājumu, un Jūs varat sniegt papildu vai atsevišķus licences noteikumus un nosacījumus attiecībā uz lietošanu, reproducēšanu vai izplatīšanu Jūsu modifikācijām vai jebkāda veida šādiem Atvasinātiem darbiem kopumā, ar nosacījumu, ka Jūs veicat Darba izmantošanu, reproducēšanu un izplatīšanu saskaņā ar šīs Licences noteikumiem.

5. leguldījumu iesniegšana.

Ja vien Jūs skaidri nenorādāt citādi, uz jebkāda veida leguldījumu, kas apzināti ir iesniegts, lai Jūs vai Licenciārs to iekļautu Darbā, attiecas šīs Licences noteikumi un nosacījumi bez papildu noteikumiem un nosacījumiem. Neatkarīgi no iepriekš izklāstītā, attiecībā uz šāda veida leguldījumiem nekas šajā dokumentā neattiecas uz nemoģificē jebkāda atsevišķa licences līguma noteikumus, ko esat noslēdzis ar Licenciāru.

6. Preču zīmes.

Šī Licence nedod tiesības izmantot Licenciāra tirdzniecības nosaukumus, preču zīmes, pakalpojuma zīmes vai produktu nosaukumus, izņemot, cik tas nepieciešams atbilstoši un ierastai lietošanai, aprakstot Darba izcelsmi un reproducējot NOTICE faila saturu.

7. Garantijas atruna

Izņemot gadījumus, ja šāda prasība ir noteikta piemērojamajā likumdošanā vai par to pastāv rakstiska vienošanās, Licenciārs nodrošina Darbu (un katrs leguldītājs nodrošina savu leguldījumu) "TĀDU, KĀDS TAS IR", NENODROŠINOT NEKĀDA VEIDA GARANTIJAS VAI NOSACĪJUMUS, ne tiešus, ne netiešus, tostarp, bez ierobežojuma, nekādas garantijas vai nosacījumus attiecībā uz NOSAUKUMU, TIESĪBU NEAIZSKARŠANU, PIEMĒROTĪBU PĀRDOŠANAI vai ATBILSTĪBU NOTEIKTAM MĒRĶIM. Jūs esat pilnībā atbildīgs par to, lai noteiktu Darba piemērotību izmantošanai vai izplatīšanai, un pilnībā uzņematies riskus saistībā ar to, kā Jūs izmantojat atļaujas šīs Licences ietvaros. 8. Atbildības ierobežojums. Nekādā gadījumā un nekādos atbildības pieņēmumos, vai tas būtu saistībā ar civiltiesībām (tostarp nevērību), saskaņā ar līgumu vai kā citādi, izņemot, ja tāda prasība noteikta piemērojamajā likumdošanā (piem., apzināta un rupji nolaidīga rīcība) vai par to ir rakstiska vienošanās, nevienš leguldītājs nav atbildīgs attiecībā pret Jums par bojājumiem, tostarp jebkāda veida tiešiem, netiešiem, īpašiem, nejaušiem vai izrietošiem bojājumiem, kas radušies šīs Licences rezultātā, Darba izmantošanas rezultātā vai tāpēc, ka Darbu nebija iespējams izmantot (tostarp (bet ne tikai) par bojājumiem saistībā ar nemateriāliem zaudējumiem, darba pārtraukumiem, datoru atteici vai darbības traucējumiem, vai kāds vai visi no komerciāliem nodarījumiem vai zaudējumiem) pat tad, ja leguldītājs tika brīdināts par šādu bojājumu iespējamību.

9. Garantijas vai papildu atbildības apstiprināšana.

Kad Jūs izplatāt Darbu vai tā Atvasinātos darbus, Jūs varat izvēlēties piedāvāt un iekasēt maksu par atbalsta pieņemšanu, garantiju, atbrīvošanu no atbildības vai citām garantijas saistībām un/vai tiesībām saskaņā ar šo Licenci. Tomēr, pieņemot šādas saistības, Jūs varat rīkoties tikai savā vārdā un, pilnībā uzņemoties atbildību,

nevis, pārstāvēt kādu citu leguldītāju, turklāt tikai tādā gadījumā, ja Jūs piekrītat aizsargāt katru leguldītāju, nodrošinot atlīdzinājumu un pasargājot leguldītāju no garantijām un prasībām, kas leguldītājam radušās jo Jūs esat uzņēmies jebkādu šādu garantiju vai papildu atbildību. NOTEIKUMU UN NOSACĪJUMU BEIGAS

Reģistrētās preču zīmes

QR Code ir DENSO WAVE INCORPORATED reģistrēta prečzīme Japānā.

Inhoud

| | | | |
|------------------------|-----|-------------------------------------|-----|
| Inleiding..... | 341 | Vervoer, opslag en verwerking..... | 355 |
| Veiligheid..... | 342 | Technische gegevens..... | 356 |
| Montage..... | 348 | Verklaring van overeenstemming..... | 359 |
| Werking..... | 349 | Vergunningen..... | 360 |
| Onderhoud..... | 351 | Geregistreerde handelsmerken..... | 362 |
| Probleemoplossing..... | 353 | | |

Inleiding

Productbeschrijving

Het product is een roterende duwmaaier. Het gras wordt verzameld in een grasopvangbak. Verwijder de grasopvangbak om het gras aan de achterkant af te voeren. Bevestig een mulchplug om het gras te snijden tot meststof.

Gebruik

Gebruik het product om gras te maaien. Gebruik het product niet voor andere taken.

Productoverzicht

(Fig. 1)

1. Remhendel van de motor
2. Startvergrendeling
3. Hendel / handgreep
4. Vergrendelknop van de handgreep
5. Knoppen hendel
6. Grasopvangbak
7. Mulchplug
8. Achterklep
9. Led op het product
10. Waarschuwingsindicator (fout-led)
11. Veiligheidssleutel
12. Accucompartiment
13. Accudeksel
14. Symbolen
15. Maaihoogtehendel
16. Accu (accessoire)
17. Acculader (accessoire)
18. Rode led
19. Groene led
20. Hijspunten
21. Haak
22. Bedieningshandleiding

Snelgids

Scan de QR-code voor advies over het gebruik van het product.



Symbolen op het product

- (Fig. 2) WAARSCHUWING
- (Fig. 3) Lees de instructies.
- (Fig. 4) WAARSCHUWING - Pas op voor weggeslingerde voorwerpen.
- (Fig. 5) Houd omstanders uit de buurt.
- (Fig. 6) WAARSCHUWING - Houd uw handen en voeten uit de buurt van de bladen.
- (Fig. 7) WAARSCHUWING - Koppel de accu voorafgaand aan het onderhoud los.
- (Fig. 8) Het product of de verpakking ervan is geen huishoudelijk afval. Lever het in bij een recyclepunt voor elektrische en elektronische apparatuur.
- (Fig. 9) Geluidsemissies naar het omgevingslabel volgens de richtlijnen en voorschriften van de EU en het VK en de wetgeving van Nieuw-Zuid-Wales "Protection of the Environment Operations (Noise Control) Regulation 2017". Het gegarandeerde

geluidsvermogensniveau van het product staat vermeld in *Technische gegevens op pagina 356* en op het label.

(Fig. 20)

Gebruik de accu alleen in producten van POWER FOR ALL-systeempartners.

(Fig. 10) Dit opzetstuk voldoet aan de geldende EG-richtlijnen.

(Fig. 11) Dit product voldoet aan geldende VK-regelgeving.

(Fig. 12) Het product is druppeldicht.

(Fig. 13) Laat de remhendel van de motor los om te stoppen.

(Fig. 14) Druk op de hendel van de motorrem om de aandrijving van de bladen te starten.

(Fig. 15) Scanbare code.

(Fig. 18) Draai om te vergrendelen of ontgrendelen.

(Fig. 21) Bescherm de accu tegen hitte, bijv. tegen continu intens zonlicht, vuur, vuil, water en vocht. Er bestaat gevaar voor explosie en kortsluiting.

(Fig. 16) Bewaar en gebruik de acculader alleen binnen.

(Fig. 17) Dubbele isolatie.

Label op het product

(Fig. 23)

GEVAAR - Houd handen en voeten uit de buurt.

Productaansprakelijkheid

Zoals uiteengezet in de wet voor productaansprakelijkheid zijn wij niet aansprakelijk voor schade die door ons product wordt veroorzaakt, indien:

- het product niet goed is gerepareerd.
- het product is gerepareerd met onderdelen die niet van de fabrikant afkomstig zijn, of onderdelen die niet zijn goedgekeurd door de fabrikant.
- het product een accessoire bevat dat niet afkomstig is van de fabrikant of niet is goedgekeurd door de fabrikant.
- het product niet is gerepareerd door een erkend servicepunt of door een erkende autoriteit.

Let op: Andere symbolen/stickers op het product hebben betrekking op certificeringseisen voor bepaalde markten.

Symbolen op de accu en/of op de accuhouder

(Fig. 19)

Lever dit product in bij een recyclepunt voor elektrische en elektronische apparatuur. (Alleen geldig voor Europa)

Veiligheid

Veiligheidsdefinities

Waarschuwingen, voorzorgsmaatregelen en opmerkingen worden gebruikt om te wijzen op belangrijke delen van de handleiding.



WAARSCHUWING: Wordt gebruikt om te wijzen op de kans op ernstig of fataal letsel voor de gebruiker of omstanders wanneer de instructies in de handleiding niet worden gevolgd.



OPGELET: Wordt gebruikt indien er een risico bestaat op schade aan het product en andere eigendommen of aan

de omgeving wanneer de instructies in de handleiding niet worden gevolgd.

Let op: Geven verdere informatie die nodig is in een bepaalde situatie.

Algemene productveiligheidswaarschuwingen



WAARSCHUWING: Lees alle veiligheidswaarschuwingen, instructies, illustraties en specificaties die worden meegeleverd met dit product. Het niet opvolgen van ieder van de onderstaande

instructies kan leiden tot elektrische schokken, brand en/of ernstig letsel.

Bewaar alle waarschuwingen en instructies voor later gebruik. De term "product" in de waarschuwingen verwijst zowel naar producten die op het lichtnet (met snoer) werken als producten die met een accu (snoerloos) werken.

Veiligheid van het werkgebied

- **Zorg ervoor dat de werkplek schoon en goed verlicht is.** In rommelige of donkere gebieden gebeuren eerder ongelukken.
- **Gebruik het product niet in een explosiegevaarlijke omgeving, bijv. in de buurt van ontvlambare vloeistoffen, gassen of stof.** Het product creëert vonken waardoor het stof of de dampen kunnen ontbranden.
- **Houd kinderen en omstanders op afstand wanneer u het product gebruikt.** U kunt de controle over het apparaat verliezen als u afgeleid wordt.

Elektrische veiligheid

- **Productstekkers moeten geschikt zijn voor het betreffende stopcontact. Wijzig nooit de stekker. Gebruik nooit een adapterstekker in combinatie met geaarde producten.** Ongewijzigde stekkers en overeenkomende stopcontacten verkleinen het risico op elektrische schokken.
- **Vermijd lichamelijk contact met geaarde oppervlakken, zoals buizen, radiatoren, fornuizen en koelkasten.** Er is een verhoogd risico op elektrische schokken als uw lichaam geaard is.
- **Stel de producten niet bloot aan regen of natte omstandigheden.** Water dat in een product binnendringt, verhoogt het risico op elektrische schokken.
- **Gebruik de kabel niet voor oneigenlijke doeleinden. Gebruik de kabel nooit om het product te dragen, te trekken of om de stekker uit het stopcontact te trekken.** Houd de kabel uit de buurt van warmte, olie, scherpe randen en bewegende onderdelen. Beschadigde of in de knoop geraakte kabels verhogen het risico op elektrische schokken.
- **Gebruik een verlengkabel die geschikt is voor gebruik buitenshuis wanneer u buiten werkt met een product.** Het gebruik van een kabel die geschikt is voor gebruik buitenshuis, vermindert het risico op elektrische schokken.
- **Als gebruik van een product in een vochtige omgeving onvermijdelijk is, gebruik dan een netvoeding met aardlekschakelaar (RCD).** Gebruik van een RCD vermindert het risico op elektrische schokken.

Persoonlijke veiligheid

- **Wees altijd alert, kijk wat u doet en gebruik uw gezonde verstand wanneer u het product gebruikt. Gebruik het product niet als u moe bent of onder invloed bent van drugs, alcohol of medicijnen. Eén**

moment van onoplettendheid tijdens het gebruik van producten kan ernstig lichamelijk letsel tot gevolg hebben.

- **Maak altijd gebruik van persoonlijke beschermingsmiddelen. Draag altijd oogbescherming.** Beschermingsmiddelen zoals een stofmasker, veiligheidsschoenen met antislipprofiel, een veiligheidshelm of gehoorbescherming in relevante werkomstandigheden beperken letsel.
- **Voorkom een onbedoelde start. Zorg ervoor dat de schakelaar in de stand OFF staat voordat u het product aansluit op een spanningsbron en/of accupack, oppakt of draagt.** Het dragen van producten met uw vinger op de schakelaar of het onder spanning zetten van producten waarvan de schakelaar op aan staat, kan makkelijk leiden tot ongelukken.
- **Verwijder eventuele (instel)sleutels voordat u het product inschakelt.** Een sleutel die is bevestigd aan een draaiend onderdeel van het product kan persoonlijk letsel tot gevolg hebben.
- **Voorkom overstrekken. Zorg dat u te allen tijde stevig en in balans staat.** Hierdoor hebt u een betere controle over het product in onverwachte situaties.
- **Draag geschikte kleding. Draag geen losse kleding of sieraden. Houd uw haar en kleding uit de buurt van bewegende onderdelen.** Losse kleding, sieraden of lang haar kunnen verstrikt raken in bewegende onderdelen.
- **Als de mogelijkheid bestaat voor het opvangen van stof moet u ervoor zorgen dat deze is aangesloten en op de juiste wijze wordt gebruikt.** Het gebruik van stofopvang kan stofgerelateerde gevaren beperken.
- **Laat de vertrouwdheid met de door u gebruikte producten door het frequente gebruik ervan niet toe leiden dat u de veiligheidsprincipes negeert.** Een onzorgvuldige handeling kan binnen een fractie van een seconde leiden tot ernstig letsel.

Gebruik en onderhoud van het product

- **Forceer het product niet. Gebruik het juiste product voor de toepassing.** Het juiste product voert de werkzaamheden waarvoor het is ontworpen beter en veiliger uit.
- **Gebruik het product niet als de On/Off-schakelaar niet werkt.** Producten die niet bediend kunnen worden met de schakelaar zijn gevaarlijk en moeten gerepareerd worden.
- **Haal de stekker uit het stopcontact en/of verwijder het accupack, indien verwijderbaar, van het product voordat u aanpassingen maakt, accessoires verwisselt of producten opbergt.** Dergelijke preventieve veiligheidsmaatregelen verlagen het risico op het onbedoeld starten van het product.
- **Berg producten die u niet nodig hebt op buiten het bereik van kinderen en laat personen die onbekend zijn met het product of deze instructies niet werken met het product.** Producten zijn gevaarlijk in handen van ongetrainde gebruikers.

- **Onderhoud de producten en de accessoires.** Controleer het apparaat op verkeerde uitlijning of bevestiging van bewegende onderdelen, breuk van onderdelen en andere condities die de werking van het product negatief kunnen beïnvloeden. Als het product is beschadigd, moet u het laten repareren voordat u het gebruikt. Veel ongelukken worden veroorzaakt door slecht onderhouden producten.
- **Houd snijgereedschappen scherp en schoon.** Goed onderhouden snijgereedschappen met scherpe snijranden zullen minder gauw vastlopen en zijn eenvoudiger onder controle te houden.
- **Gebruik het product, de accessoires, gereedschapsbits en dergelijke in overeenstemming met deze instructies en houd hierbij rekening met de werkomstandigheden en het type kius dat moet worden uitgevoerd.** Als u het product voor andere toepassingen gebruikt dan waarvoor het is bedoeld, kan er een gevaarlijke situatie ontstaan.
- **Houd de handgrepen en grijpoppervlakken droog, schoon en vrij van olie en vet.** Als handgrepen en grijpoppervlakken glad zijn, kan dit ervoor zorgen dat het product in onverwachte situaties niet veilig kan worden gehanteerd en bediend.

Gebruik en onderhoud van gereedschap met accu

- **Laad het gereedschap alleen op met de lader die door de fabrikant is gespecificeerd.** Een lader die voor een bepaald type accu geschikt is, kan een risico op brand creëren als de lader met een andere accu wordt gebruikt.
- **Gebruik producten enkel met de specifiek hiervoor bedoelde accupacks.** Als er andere accupacks worden gebruikt, bestaat er risico op letsel en brand.
- **Als het accupack niet gebruikt wordt, houd hem dan uit de buurt van andere metalen voorwerpen, zoals paperclips, munten, sleutels, spijkers, schroeven of andere kleine metalen voorwerpen die een verbinding tussen de twee klemmen kunnen maken.** Als er kortsluiting tussen de accuaansluitingen ontstaat, kunnen er brandwonden of brand ontstaan.
- **Als het accupack verkeerd wordt gebruikt, kan er vloeistof uit de accu komen; zorg dat u deze niet aanraakt. Als u per ongeluk in contact komt met de vloeistof, afspoelen met water. Als er vloeistof in de ogen komt dient u medische hulp in te roepen.** Vloeistof die uit accu's loopt, kan irritatie of brandwonden veroorzaken.
- **Gebruik geen accupack of product dat beschadigd of gewijzigd is.** Beschadigde of aangepaste accu's kunnen onvoorspelbaar gedrag vertonen, wat kan leiden tot brand, explosies of letsel.
- **Stel het accupack of product niet bloot aan vuur of hoge temperaturen.** Blootstelling aan vuur of temperaturen hoger dan 130 °C kan een explosie veroorzaken.
- **Volg alle oplaadinstructies op en laad de accu of het product niet op bij temperaturen die buiten het in de instructies gespecificeerde bereik vallen.**

Door onjuist opladen of opladen bij temperaturen die buiten het gespecificeerde bereik liggen, kan de accu beschadigd raken en neemt het risico op brand toe.

Service

- **Laat uw product onderhouden door een gekwalificeerde onderhoudsmonteur met gebruikmaking van uitsluitend identieke vervangende onderdelen.** Hierdoor blijft de veiligheid van het product gehandhaafd.
- **Voer nooit onderhoud uit aan beschadigde accupacks.** Onderhoud aan accupacks mag alleen worden uitgevoerd door de fabrikant of geautoriseerde dienstverleners.

Veiligheidswaarschuwingen voor gazonmaaier

- **Gebruik de gazonmaaier niet bij slechte weersomstandigheden, vooral wanneer er een risico op blikseminslag bestaat.** Dit vermindert het risico op blikseminslag.
- **Inspecteer het gebied waar de gazonmaaier wordt gebruikt zorgvuldig op de aanwezigheid van dieren.** Wilde dieren kunnen gewond raken wanneer u in hun nabijheid de gazonmaaier gebruikt.
- **Onderwerp het gebied waar de gazonmaaier gebruikt gaat worden aan een grondige inspectie en verwijder alle stenen, stokken, draden, beenderen, en andere voorwerpen.** Weggeslingerde objecten kunnen lichamelijk letsel veroorzaken.
- **Voer vóór het gebruik van de gazonmaaier altijd een visuele inspectie uit om te kijken of het blad en de mesmontage niet versleten of beschadigd zijn.** Versleten of beschadigde onderdelen verhogen het risico op letsel.
- **Controleer de grasopvangbak regelmatig op slijtage of veroudering.** Een versleten of beschadigde grasopvangbak kan het risico op letsel verhogen.
- **Houd beschermkappen op hun plaats. Beschermkappen moeten in goede staat en correct gemonteerd zijn.** Een beschermkap die los zit, beschadigd is of niet goed functioneert, kan leiden tot lichamelijk letsel.
- **Houd alle koelluchtinlaten vrij van vuil.** Geblokkeerde luchtinlaten en vuil kunnen leiden tot oververhitting of brandgevaar.
- **Draag tijdens het gebruik van de gazonmaaier altijd beschermend schoeisel met antislipzool. Bedien de gazonmaaier niet op blote voeten of met open sandalen aan.** Dit vermindert de kans op letsel aan de voeten door contact met het bewegende blad.
- **Draag tijdens de bediening van de gazonmaaier altijd een lange broek.** Blootliggende huid verhoogt de kans op letsel door weggeslingerde voorwerpen.
- **Gebruik de gazonmaaier niet op nat gras. U dient uitsluitend te lopen, nooit te rennen.** Dit verkleint het risico op uitglijden en vallen, wat kan leiden tot lichamelijk letsel.

- **Gebruik de gazonmaaier niet op extreem steile hellingen.** Dit verkleint het risico van controleverlies, uitglijden en vallen, wat kan leiden tot lichamelijk letsel.
- **Wees bij het werken op hellingen altijd zeker van uw grip, werk altijd dwars over het oppervlak van hellingen, nooit omhoog of omlaag en wees uiterst voorzichtig wanneer u van richting verandert.** Dit verkleint het risico van controleverlies, uitglijden en vallen, wat kan leiden tot lichamelijk letsel.
- **Wees uiterst voorzichtig wanneer u achteruitgaat of de gazonmaaier naar u toe trekt. Let altijd op uw omgeving.** Dit verlaagt het risico op struikelen tijdens het bedrijf.
- **Raak bladen en andere gevaarlijke bewegende delen niet aan als ze nog bewegen.** Dit verlaagt het risico op letsel door bewegende delen.
- **Als u vastgelopen materiaal verwijdert of de gazonmaaier reinigt, dient u ervoor te zorgen dat alle schakelaars zijn uitgeschakeld en dat de stroomkabel is losgekoppeld.** Onverwacht bedrijf van de gazonmaaier kan leiden tot ernstig lichamelijk letsel.

Aardlekschakelaar

- Gebruik een aardlekschakelaar met een afschakelstroom van maximaal 30 mA.

Algemene veiligheidsinstructies



WAARSCHUWING: Lees de volgende waarschuwingen voordat u het product gaat gebruiken.

- Dit product is gevaarlijk als het verkeerd wordt gebruikt, of als u niet voorzichtig bent. Letsel of overlijden kunnen het gevolg zijn als u de veiligheidsvoorschriften negeert.
- Dit product produceert tijdens bedrijf een elektromagnetisch veld. Dit veld kan onder bepaalde omstandigheden de werking van actieve of passieve medische implantaten verstoren. Om het risico op ernstig of dodelijk letsel te beperken, raden we personen met een medisch implantaat aan om contact op te nemen met hun arts en de fabrikant van het medische implantaat alvorens dit product te gaan gebruiken.
- Wees altijd voorzichtig en gebruik uw gezond verstand. Als u niet zeker weet hoe u het product moet bedienen in een bepaalde situatie, stop dan en informeer bij uw Husqvarna dealer voordat u verdergaat.
- Denk erom dat de bediener of gebruiker verantwoordelijk is voor ongelukken of beschadigingen aan eigendommen.
- Houd het product schoon. Zorg ervoor dat u de aanduidingen en stickers duidelijk kunt lezen.
- Laat kinderen of mensen die niet bekend zijn met deze gebruiksaanwijzing het apparaat niet gebruiken. Er kunnen plaatselijke regels zijn met

betrekking tot de minimumleeftijd voor het bedienen van dit apparaat.

- Houd personen met een lichamelijke of geestelijke beperking die het product gebruiken, altijd in de gaten. Er moet te allen tijde een verantwoordelijke volwassene aanwezig zijn.
- Gebruik het product nooit als u moe of ziek bent, of onder invloed van alcohol, drugs of medicijnen verkeert. Dit heeft een negatief effect op uw visie, alertheid, coördinatie en oordeel.
- Gebruik het product niet als het defect is.
- Wijzig dit product niet of gebruik het niet als het door anderen kan zijn gewijzigd.

Werkveiligheid



WAARSCHUWING: Lees de volgende waarschuwingen voordat u het product gaat gebruiken.

- Gebruik dit product alleen om gazons te maaien. Het is niet toegestaan om het product voor andere doeleinden te gebruiken.
- Maak altijd gebruik van persoonlijke beschermingsmiddelen. Zie *Persoonlijke beschermingsuitrusting op pagina 346*.
- Zorg ervoor dat u weet hoe u de motor in een noodsituatie snel kunt stoppen.
- Gebruik het product niet in regen of natte omstandigheden. Het risico van een elektrische schok neemt toe als water het product binnendringt.
- Gebruik dit product alleen als het mes en alle afdekkingen correct zijn bevestigd. Een verkeerd bevestigd mes kan losraken en letsel veroorzaken.
- Zorg ervoor dat het mes geen voorwerpen raakt zoals stenen en wortels. Hierdoor kan het mes beschadigd raken en de motoras verbuigen. Een gebogen as veroorzaakt zware trillingen en een zeer groot risico dat het mes losraakt.
- Stop het product onmiddellijk als het mes een voorwerp wordt geraakt of als zich trillingen voordoen. Stop de motor, zet de veiligheidsleutel in de stand "0" en verwijder de accu. Wacht tot de bewegende delen stoppen. Controleer het product op schade. Zet loszittende delen vast. Repareer en vervang beschadigde onderdelen. Laat reparatie aan de gazonmaaier uitvoeren door een erkende servicewerkplaats.
- Bevestig de motorremhendel nooit permanent aan de handgreep wanneer de motor wordt gestart.
- Plaats het product op een stabiele, vlakke ondergrond en start het. Zorg ervoor dat het mes niet in aanraking komt met de grond of andere voorwerpen.
- Blijf altijd achter het product wanneer u het gebruikt.
- Zorg dat alle wielen op de grond blijven en houd 2 handen op de handgreep tijdens de bediening van het product. Houd handen en voeten uit de buurt van roterende messen.

- Til het product niet op als u de motor start of tijdens het bedrijf van het product.
- Wees voorzichtig wanneer u het product naar achteren trekt.
- Til het product nooit op terwijl de motor draait. Als u het product moet optillen, zet dan eerst de motor uit, zet de veiligheidssleutel op 0 en verwijder de accu.
- Loop niet achteruit wanneer u het product bedient.
- Stop de motor als het product moet worden opgetild voor transport of voordat u dit over gebieden zonder gras beweegt, zoals grind-, stenen- en asfaltpaden.
- Loop niet hard met het product wanneer de motor is ingeschakeld. Loop altijd rustig wanneer u het product bedient.
- Zet de motor uit voordat u de maaihoogte wijzigt. Voer nooit afstellingen uit terwijl de motor draait.
- Houd altijd toezicht op het product wanneer de motor draait. Schakel de motor uit en zorg ervoor dat de snijuitrusting niet draait.
- De trillingen in het product tijdens het bedrijf kunnen anders zijn dan de opgegeven trillingswaarde in *Technische gegevens op pagina 356*. Het verschil wordt veroorzaakt door variaties in productgebruik. Als u het product regelmatig of gedurende langere tijd gebruikt, moet u regelmatig onderbrekingen inlassen om letsel door trillingen te voorkomen.

- Controleer de veiligheidsvoorzieningen regelmatig op een juiste werking. Als de veiligheidsvoorzieningen defect zijn, neem dan contact op met uw Husqvarna servicewerkplaats.

De kap van het maaidek controleren

De kap van het maaidek vermindert trillingen in het product en vermindert het risico op letsel door het mes.

- Controleer de kap van het maaidek om te zien of er geen schade is, zoals barsten.

De veiligheidssleutel controleren

De veiligheidssleutel bevindt zich onder het accudeksel. De veiligheidssleutel zorgt voor verbinding met de accu die de motor van voeding voorziet.

- Start de motor en schakel die weer uit bij wijze van controle van de veiligheidssleutel.
- Als de veiligheidssleutel naar behoren werkt, kan de motor alleen worden gestart wanneer de veiligheidssleutel in stand 1 staat. (Fig. 24)

De remhendel van de motor controleren

De remhendel van de motor stopt de motor. Als de remhendel van de motor wordt losgelaten, stopt de motor.

- Start het product. Zie *Product starten op pagina 350*.
- Laat de remhendel van de motor los. (Fig. 25)
- Controleer of het product stopt. Als de motor niet binnen 3 seconden stopt, laat de motorrem dan afstellen door een erkende Husqvarna servicewerkplaats.

Controleer de startvergrendeling

Controleer de startvergrendeling om er zeker van te zijn dat deze de werking van de motor voorkomt.

1. Druk de hendel van de motorrem in de richting van de handgreep. De startvergrendeling stopt de beweging.
2. Duw de startvergrendeling naar buiten. (Fig. 26)
3. Laat de startvergrendeling los en controleer of deze teruggaat naar de oorspronkelijke stand.

Veiligheid bij accu's



WAARSCHUWING: Lees alle veiligheidswaarschuwingen en algemene instructies. Het niet opvolgen van de veiligheidswaarschuwingen en algemene instructies kan leiden tot elektrische schokken, brand en/of ernstig letsel. **Bewaar alle veiligheidsinformatie en algemene instructies om later te kunnen raadplegen.**

- Deze veiligheidsinstructies zijn alleen van toepassing op oplaadbare 18V-Li-Ion accu's voor het POWER FOR ALL-systeem.

Veiligheidsinstructies voor bediening

Persoonlijke beschermingsuitrusting



WAARSCHUWING: Lees de volgende waarschuwingen voordat u het product gaat gebruiken.

- Persoonlijke beschermingsuitrusting kunnen niet alle risico's uitsluiten maar kunnen de ernst van eventueel letsel helpen beperken. Vraag uw dealer u te helpen bij het kiezen van de juiste beschermingsmiddelen.
- Gebruik zware antisliplaarzen of -schoenen. Draag geen open schoenen en loop niet op blote voeten.
- Draag een lange broek van stevige stof.
- Draag zo nodig beschermende handschoenen, bijvoorbeeld bij het monteren, inspecteren of reinigen van de snijuitrusting.
- Wij adviseren om gehoorbescherming te dragen.

Veiligheidsvoorzieningen op het product



WAARSCHUWING: Lees de volgende waarschuwingen voordat u het product gaat gebruiken.

- Gebruik het product nooit wanneer de veiligheidsvoorzieningen defect zijn.
- Verwijder geen veiligheidsvoorzieningen en voer er geen veranderingen aan uit.

- **Gebruik de oplaadbare accu alleen in producten van POWER FOR ALL-systeempartners.** 18V oplaadbare accu's die gemarkeerd zijn met POWER FOR ALL zijn volledig compatibel met de volgende producten:

– Alle producten van het 18V POWER FOR ALL-accusysteem.

– Alle 18V producten van POWER FOR ALL-systeempartners.

- **Neem de accu-aanbevelingen in de gebruiksaanwijzing van uw product in acht.** Alleen op deze manier kunnen de oplaadbare accu en het product zonder gevaar worden gebruikt en worden de oplaadbare accu's beschermd tegen gevaarlijke overbelasting.
- **Laad de accu's alleen op met laders die worden aanbevolen door de fabrikant of door POWER FOR ALL-systeempartners.** Een lader die geschikt is voor het ene type accu, kan brandgevaar veroorzaken als hij gebruikt wordt met een andere accu.
- **De accu wordt gedeeltelijk geladen geleverd.** Om de volledige capaciteit van de accu te kunnen benutten, moet u de accu volledig opladen in de acculader, voordat u het elektrische gereedschap voor de eerste keer gebruikt.
- **Houd accupacks uit de buurt van kinderen.**
- **Open de accu niet.** Er bestaat gevaar voor kortsluiting.
- **In geval van beschadiging en verkeerd gebruik van de accu kunnen dampen vrijkomen. De accu kan in brand vliegen of exploderen.** Zorg ervoor dat de ruimte goed is geventileerd en roep medische hulp in als u nadelige gevolgen ervaart. De dampen kunnen de luchtwegen irriteren.
- **Bij verkeerd gebruik of als de accu beschadigd is, kan brandbare vloeistof uit de accu lopen. Contact met deze vloeistof moet vermeden worden. Als u per ongeluk in contact komt met de vloeistof, afspoelen met water. Als de vloeistof in contact met uw ogen komt, moet u medische hulp inroepen.** Vloeistof die uit de accu komt kan irritatie of brandwonden veroorzaken.
- **Als de accu beschadigd is kan vloeistof vrijkomen en naastgelegen oppervlakken bedekken. Controleer betreffende onderdelen.** Reinig deze onderdelen of vervang ze indien nodig.
- **Sluit het accupack niet kort. Als het accupack niet gebruikt wordt, houd hem dan uit de buurt van andere metalen voorwerpen, zoals paperclips, munten, sleutels, spijkers, schroeven of andere kleine metalen voorwerpen die een verbinding tussen de twee klemmen kunnen maken.** Als er kortsluiting tussen de accuaansluitingen ontstaat, kunnen er brandwonden of brand ontstaan.
- **De accu kan beschadigd raken door puntige voorwerpen zoals spijkers of schroevendraaiers of door externe kracht aan te brengen.** Er kan interne kortsluiting ontstaan, waardoor de accu in brand kan

raken, kan gaan roken, kan exploderen of oververhit kan raken.

- **Voer nooit onderhoud uit aan beschadigde accupacks.** Onderhoud aan accupacks mag alleen worden uitgevoerd door de fabrikant of geautoriseerde dienstverleners.
- **Bescherm de accu tegen hitte, bijv. tegen continu intens zonlicht, vuur, vuil, water en vocht.** Er bestaat gevaar voor explosie en kortsluiting.
- **Gebruik de accu in het product enkel bij omgevingstemperaturen tussen 0 °C – +40 °C.**
- **Bewaar de accu alleen in omgevingstemperaturen tussen -20 °C – +50 °C.** U mag de accu bijvoorbeeld niet in uw auto achterlaten als het zomer is. Bij temperaturen van < 0 °C kan bij sommige apparaten vermogensverlies optreden.
- **Laad de accu alleen op in een omgevingstemperatuur tussen 0 °C – +35 °C. Laad de oplaadbare accu alleen op met een USB-kabel in een omgevingstemperatuur tussen +10 °C en +35 °C.** Laden buiten dit temperatuurbereik kan gevaar voor beschadiging van de accu verhogen en kan voor brandgevaar zorgen.

Veiligheidsvoorschriften voor acculader



WAARSCHUWING: Lees alle veiligheids waarschuwingen en algemene instructies. Het niet opvolgen van de veiligheids waarschuwingen en algemene instructies kan leiden tot elektrische schokken, brand en/of ernstig letsel. **Bewaar deze gebruiksaanwijzing op een veilige plaats.** Gebruik de lader alleen als u alle functies volledig kunt evalueren en zonder beperkingen kunt uitvoeren of als u overeenkomstige instructies heeft ontvangen.

- **Deze lader mag niet worden gebruikt door kinderen of personen met psychische, sensorische of mentale beperkingen of een gebrek aan ervaring of kennis.** Deze lader kan worden gebruikt door kinderen vanaf 8 jaar en door personen met psychische, sensorische of mentale beperkingen of een gebrek aan ervaring en kennis, mits de persoon die verantwoordelijk is voor hun veiligheid toezicht op hen houdt of hen instructies heeft gegeven over veilig gebruik van de lader en mits ze de bijbehorende gevaren begrijpen. Anders bestaat er gevaar voor bedrijfsfouten en letsel.
- **Houd toezicht op kinderen tijdens gebruik, reiniging en onderhoud.** Dit zorgt ervoor dat kinderen niet met de lader spelen.
- **Laad alleen accu's van het 18V POWER FOR ALL-systeem met een capaciteit van 1,5 Ah.** De accuspanning moet overeenkomen met de acculaadspanning van de lader. **Laad geen niet-oplaadbare accu's op.** Anders bestaat er gevaar voor brand of explosie.

- **Gebruik de lader alleen in afgesloten ruimten en stel de lader niet bloot aan natte omstandigheden.** Water dat in elektrisch gereedschap binnendringt, verhoogt het risico op elektrische schokken.
- **Houd de lader schoon.** Vuil vormt een gevaar voor elektrische schok.
- **Controleer de lader, kabel en stekker altijd voorafgaand aan het gebruik. Stop met het gebruik van de lader als u schade vaststelt. Open de lader niet zelf en laat deze alleen repareren door Husqvarna of door een erkend after-sales servicecentrum dat alleen originele reserveonderdelen gebruikt.** Beschadigde laders, kabels en stekkers verhogen het risico op elektrische schokken.
- **Gebruik de lader niet op een licht ontvlambaar oppervlak (bijv papier, textiel, etc.) of in een ontvlambare omgeving.** Er is gevaar voor brand omdat de lader opwarmt tijdens het bedrijf.
- **Bedek de ventilatiesleuven van de lader niet.** Anders kan de lader oververhit raken en niet langer correct werken.
- **Laad het gereedschap alleen op met de lader die door de fabrikant is gespecificeerd.** Een lader die voor een bepaald type accu geschikt is, kan een risico op brand creëren als de lader met een andere accu wordt gebruikt.
- **In geval van beschadiging en verkeerd gebruik van de accu kunnen ook dampen vrijkomen.** Zorg ervoor dat de ruimte goed is geventileerd en roep medische hulp in als u nadelige gevolgen ervaart. De dampen kunnen de luchtwegen irriteren.
- **Als de accu op de verkeerde manier wordt gebruikt, kan er vloeistof uit de accu lopen. Contact met deze vloeistof moet vermeden worden. Als u per ongeluk in contact komt met de vloeistof, afspoelen met water. Als de vloeistof in contact met uw ogen komt, moet u medische hulp inroepen.** Vloeistof die uit de accu komt kan irritatie of brandwonden veroorzaken.
- **Producten die alleen in VK worden verkocht:** Uw product is uitgerust met een BS 1363/A goedgekeurde elektrische stekker met interne zekering (ASTA goedgekeurd voor BS 1362). Als de stekker niet geschikt is voor uw stopcontacten, moet deze worden afgesneden en moet een geschikte stekker worden aangebracht door een geautoriseerde servicewerkplaats. De vervangende stekker moet dezelfde zekeringswaarde als de originele stekker hebben. De afgesneden stekker moet worden afgevoerd om mogelijk gevaar voor

elektrische schokken te voorkomen en mag nooit elders in een stopcontact worden gestoken.

Veiligheidsinstructies voor onderhoud



WAARSCHUWING: Lees de volgende waarschuwingen voordat u het product gaat gebruiken.

- Om te voorkomen dat het product tijdens onderhoud per ongeluk wordt gestart, draait u de veiligheidssleutel naar 0 en verwijdert u de accu. Wacht minstens 5 seconden voordat u begint met het onderhoud.
- Voer alleen onderhoudswerkzaamheden uit zoals beschreven in deze bedieningshandleiding. Verdergaande werkzaamheden en professionele reparaties moeten door een erkende servicewerkplaats worden uitgevoerd. Neem contact op met uw dichtstbijzijnde servicewerkplaats voor meer informatie.
- Voer de onderhoudswerkzaamheden naar behoren uit om de levensduur van het product te verlengen en het risico op ongevallen te verlagen.
- Vervang beschadigde, versleten of defecte onderdelen. Gebruik altijd originele reserveonderdelen van de fabrikant. Andere reserveonderdelen kunnen het product beschadigen en het risico op ongelukken verhogen.
- Verwijder geen veiligheidsvoorzieningen en voer er geen veranderingen aan uit om letsel te voorkomen.
- Draag handschoenen voor zwaar gebruik wanneer u de snijuitrusting hanteert. Het mes is zeer scherp en kan gemakkelijk snijwonden veroorzaken.
- Houd de snijkanten scherp en schoon voor optimale prestaties en veiligheid.
- Laat het product regelmatig controleren door uw servicewerkplaats en laat noodzakelijke aanpassingen en reparaties uitvoeren.
- Volg de instructies voor het vervangen van accessoires. Gebruik alleen accessoires van de fabrikant.
- Houd het product, de accu en de acculader, wanneer deze niet in gebruik zijn, apart in een droge, afgesloten locatie binnenshuis. Zorg dat kinderen en niet-geautoriseerde personen geen toegang hebben tot het product, de accu of de acculader.

Montage

Inleiding



WAARSCHUWING: Lees het hoofdstuk over veiligheid voordat u het product monteert.



WAARSCHUWING: Voorkom onbedoeld starten tijdens de montage door de veiligheidssleutel op 0 te zetten, de accu te verwijderen en ten minste 5 seconden te wachten.

Hoogte van de hendel afstellen

Het product heeft een vrij instelbaar voor de hoogte van de hendel. De hoogte van de hendel kan tussen 2 instelpunten op de gewenste hoogte worden ingesteld.

1. Zet het product in de werkstand. Zie *Product in de werkstand zetten op pagina 349*.
2. Draai de vergrendelknoppen op de handgrepen linksom. (Fig. 27)
3. Trek de handgrepen naar een geschikte positie.
4. Plaats de 2 handgrepen op gelijke hoogte.



OPGELET: Als de handgrepen niet op gelijke hoogte staan, zal het product beschadigd raken.

5. Draai de vergrendelknoppen op de handgrepen rechtsom.
6. Draai de vergrendelknoppen volledig vast.

De grasopvangbak monteren

1. Til de achterklep op.
2. Verwijder de mulchplug.
3. Bevestig de grasopvangbak aan de bovenrand van het chassis.
4. Plaats het onderste deel van de grasopvangbak tegen het grasuitwerpkanaal. (Fig. 28)



OPGELET: Zorg ervoor dat de grasopvangbak goed is afgedicht op het chassis van het product.

De mulchplug monteren

1. Til de achterklep op en verwijder de grasopvangbak.
2. Duw de mulchplug in het grasuitwerpkanaal totdat u een klik hoort. (Fig. 29)

De haak aan de wand bevestigen

- Bevestig de haak binnenshuis.
- Houd de haak buiten bereik van zonlicht en in een omgevingstemperatuur van -10°C tot $+70^{\circ}\text{C}$.
- Bevestig de haak aan op een gipswand, houten wand of betonwand.



OPGELET: Zorg ervoor dat de muur een belasting van minimaal 30 kg kan dragen.

- Bevestig de haak met de 3 schroeven (A) aan de wand. Gebruik wandpluggen (B) indien nodig. (Fig. 30)



OPGELET: Zorg ervoor dat de schroeven geschikt zijn voor uw type wand.

- Neem contact op met uw Husqvarna-servicewerkplaats voor informatie over de beschikbare accessoires voor opslag van uw product.

Werking

Inleiding



WAARSCHUWING: Voordat u het product gaat gebruiken, dient u het hoofdstuk over veiligheid te lezen en hebben begrepen.

Husqvarna Connect

Husqvarna Connect is een gratis app voor uw mobiele apparaat. De Husqvarna Connect-app biedt uitgebreide functies voor uw Husqvarna-product:

- Uitgebreide productinformatie.
- Informatie over, en hulp bij, onderdelen en onderhoud van uw product.

Husqvarna Connect gebruiken

1. Download de Husqvarna Connect-app op uw mobiele apparaat.
2. Registreer in de Husqvarna Connect-app.

3. Volg de instructies in de Husqvarna Connect-app om verbinding te maken met het product en dit te registreren.

Let op: De Husqvarna Connect-app kan niet in alle markten worden gedownload. Neem voor meer informatie contact op met uw servicedealer.

Product in de werkstand zetten

1. Draai de hendelknoppen naar de ontgrendelde stand. (Fig. 31)
2. Klap de hendel omhoog tot u een klik hoort. (Fig. 32)



OPGELET: Zorg ervoor dat de kabels niet te strak gespannen zijn. Een kabel die te strak gespannen staat, kan beschadigd raken als de hendel in de transportstand wordt geklapt.



WAARSCHUWING: Zorg ervoor dat de hendel volledig ingeklapt is en in de vergrendelde stand staat.

3. Stel de hendelhoogte af. Zie *Hoogte van de hendel afstellen op pagina 349*.

Maaihoogte afstellen

1. Breng de maaihoogtehendel naar achteren om de maaihoogte te vergroten.
2. Breng de maaihoogtehendel naar voren om de maaihoogte te verkleinen. (Fig. 33)



OPGELET: Stel de maaihoogte niet te laag in. Als het oppervlak van het gazon niet waterpas is, kunnen de messen de grond raken.

Accu



WAARSCHUWING: Voordat u het product gebruikt, dient u het hoofdstuk over veiligheid te lezen en hebben begrepen. Zorg er ook voor dat u de bedieningshandleiding bij de accu en de acculader hebt gelezen en begrepen.

Houd de accu en de acculader in de correcte omgevingstemperaturen.

| | Omgevingstemperatuur |
|----------------------------------|----------------------|
| De accu in het product gebruiken | 0 °C – +40 °C |
| Accu laden | 0 °C – +35 °C |

De accu opladen

Laad de accu voor het eerste gebruik op.

Let op: Het laadproces is alleen mogelijk als de temperatuur van de accu binnen het toegestane laadtemperatuurbereik (0–45 °C) ligt.

1. Sluit de voedingskabel voor de acculader aan op een geaard stroomnet.



OPGELET: Controleer of het stroomnet de juiste spanning en frequentie heeft.

2. Plaats de accu in de acculader. De accu is aangesloten op de acculader als de groene led knippert. (Fig. 34)
3. De accu is volledig opgeladen als de groene led op de acculader is ingeschakeld. Laad de accu max. 24 uur op.

4. Koppel de acculader los van het stroomnet.



OPGELET: Trek niet aan de voedingskabel.

5. Haal de accu uit de acculader.

Accustatus-led op de acculader

De rode led (A) en de groene led (B) op de acculader geven de accustatus aan. Zie *Problemen met de acculader oplossen op pagina 353*.

(Fig. 35)

| Led | Accustatus |
|----------------------------------|--|
| De groene led knippert snel. | De accu wordt opgeladen. |
| De groene led knippert langzaam. | De accu is 80% opgeladen. |
| De groene led is ingeschakeld. | De accu is volledig opgeladen. |
| De rode led brandt. | Zie <i>Problemen met de acculader oplossen op pagina 353</i> . |
| De rode led knippert snel. | Zie <i>Problemen met de acculader oplossen op pagina 353</i> . |

Accustatus-led op het product

Als de accu in het product is geïnstalleerd, geven de leds op het product de accustatus aan.

(Fig. 36)

| Led | Accustatus |
|------------------------|---|
| Led 1, 2 en 3 branden. | Volledig opgeladen. |
| Led 1 en 2 branden. | Voldoende opgeladen |
| Led 1 brandt. | Het accuvermogen is laag. |
| Led 1 knippert. | De accu is leeg. Het accustatuslampje knippert. Laad de accu op. Zie <i>De accu opladen op pagina 350</i> . |

Product starten

1. Open het accudeksel.
2. Plaats een opgeladen accu in de accuhouder.
3. Draai de veiligheidssleutel naar 1. (Fig. 37)
4. Blijf achter het product.
5. Maak de startvergrendeling los. (Fig. 26)

6. Druk de hendel van de motorrem in de richting van de handgreep. (Fig. 38)

Functie voor hoge belasting

Als het product lang of vochtig gras maait, verhoogt de motor automatisch het toerental. De motor gaat terug naar de standaardmodus wanneer een hoge belasting niet noodzakelijk is.

Afslaan van de motor

Tijdens het bedrijf kunnen het blad en de motor tijdelijk stoppen vanwege obstakels zoals blokkering door gras onder de kap van het maaidek. Zie *Product reinigen op pagina 352*.



WAARSCHUWING: Voordat de kap van het maaidek wordt gecontroleerd moet de remhendel van de motor worden losgelaten, moet de veiligheidssleutel naar 0 worden gezet, moet de accu worden verwijderd en moet minimaal 5 seconden worden gewacht. Er is risico op letsel als het obstakel wordt verwijderd en het product onbedoeld wordt gestart.

Product stoppen



WAARSCHUWING: Zet de veiligheidssleutel op 0 wanneer u geen toezicht houdt op het product.

Onderhoud

Inleiding



WAARSCHUWING: Voordat u onderhoud gaat uitvoeren, dient u het hoofdstuk over veiligheid te lezen en hebben begrepen.

Voor alle onderhouds- en reparatiewerkzaamheden aan het product is speciale training nodig. Wij garanderen de beschikbaarheid van professionele reparaties en onderhoud. Indien uw dealer geen servicewerkplaats heeft, vraag hem dan naar de dichtstbijzijnde servicewerkplaats.

1. Laat de remhendel van de motor los om de motor te stoppen. (Fig. 39)
2. Open het accudeksel en zet de veiligheidssleutel in de stand 0. (Fig. 40)
3. Om de accu te verwijderen, drukt u op de ontgrendelknop en verwijdert u de accu. (Fig. 41)
4. Laad de accu op wanneer deze zwak is. Voor meer informatie, zie *De accu opladen op pagina 350*.

Een goed resultaat verkrijgen

- Gebruik altijd een scherp mes. Een bot mes geeft een onregelmatig resultaat en het snijvlak van het gras wordt geel. Een scherp mes verbruikt ook minder energie dan een bot mes.
- Maai nooit meer dan 1/3e van de lengte van het gras af. Maai eerst met een hoog ingestelde maaihoogte. Controleer het resultaat en verlaag de snijhoogte tot een geschikt niveau. Als het gras echt lang is, rijd dan langzaam en maai zo nodig 2 keer.
- Maai elke keer in een andere richting, om het ontstaan van strepen in het gazon te voorkomen.
- Houd de kap van het maaidek schoon. Door ophoping van gras en vuil aan de binnenkant van de kap van het maaidek kunnen de maairesultaten verminderen. Zie *Product reinigen op pagina 352*.

Zie www.husqvarna.com voor meer gedetailleerde informatie.

Onderhoudsschema

De onderhoudsintervallen worden berekend op basis van het dagelijks gebruik van het product. De intervallen veranderen als het product niet dagelijks wordt gebruikt.

Voor onderhoud dat is gemarkeerd met *: zie de instructies in *Veiligheid op pagina 342*.

| | Elk gebruik | Maandelijks | Elk seizoen |
|--|-------------|-------------|-------------|
| Voer een algemene inspectie uit. | X | | |
| Reinig het product. | X | | |
| Controleer de startvergrendeling. * | X | | |
| Controleer of de veiligheidsvoorzieningen op het product in orde zijn. * | X | | |

| | Elk ge- bruik | Maande- lijks | Elk sei- zoen |
|--|------------------|------------------|------------------|
| Controleer de snijuitrusting. | X | | |
| Controleer de kap van het maaidek. * | X | | |
| Controleer de remhendel van de motor. * | X | | |
| Controleer de accu op beschadigingen. | X | | |
| Controleer het laadniveau van de accu. | X | | |
| Controleer of de ontgrendelknop op de accu naar behoren werkt en de accu in het product wordt vergrendeld. | X | | |
| Controleer de acculader op beschadiging en zorg dat deze naar behoren werkt. | | X | |
| Controleer de verbindingen tussen de accu en het product. Controleer ook de verbinding tussen de accu en de acculader. | | | X |

Algemene inspectie uitvoeren

- Controleer of de moeren en schroeven op het product goed zijn vastgedraaid.
- Zorg dat de kabels van het product zich in een positie vinden waarin ze niet beschadigd kunnen raken.

Product reinigen

- Reinig de kunststof onderdelen met een schone en droge doek.
- Gebruik geen water om het product te reinigen. Water kan de accu of de motor binnendringen en kortsluiting of schade aan het product veroorzaken.
- Reinig het product niet met een hogedrukspuit.
- Laat nooit water rechtstreeks op de motor stromen.
- Gebruik een borstel om bladeren, gras en vuil te verwijderen.

Accu en acculader reinigen



WAARSCHUWING: Reinig de accu of acculader nooit met water.



WAARSCHUWING: Gebruik nooit chemische middelen om de accu te reinigen.

- Zorg ervoor dat de accu en de acculader schoon en droog zijn voordat u de accu in de acculader plaatst.
- Reinig de accupolen met perslucht of gebruik een zachte en droge doek.
- Reinig de oppervlakken van de accu en de acculader met een zachte en droge doek.

Snijuitrusting controleren



WAARSCHUWING: Voorkom onbedoeld starten door de veiligheids sleutel op 0 te zetten, de accu te verwijderen en ten minste 5 seconden te wachten.



WAARSCHUWING: Draag beschermende handschoenen wanneer u onderhoud aan de snijuitrusting uitvoert. Het mes is zeer scherp en kan gemakkelijk snijwonden veroorzaken.

1. Controleer de snijuitrusting op beschadiging of scheuren. Vervang beschadigde snijuitrusting altijd.
2. Kijk naar het mes om te zien of dit is beschadigd of bot is.

Let op: Het mes moet na het slijpen worden gebalanceerd. Laat het slijpen, vervangen en balanceren door een servicecentrum uitvoeren. Als u een obstakel raakt waardoor het product stopt, vervang dan het beschadigde mes. Laat het servicecentrum beoordelen of het mes kan worden geslepen of moet worden vervangen.

Mes vervangen

Zie *Technische gegevens op pagina 356* voor het juiste type blad.



WAARSCHUWING: Vergrendel het blad met een houten blok om letsel aan vingers te voorkomen als u het blad vervangt. Het blad kan worden bewogen als de motor uitgeschakeld is en de vingers kunnen vast komen te zitten tussen het blad en de stationaire delen.

- Zet het mes vast met een houten blok. (Fig. 42)
- Verwijder de mesbout.
- Verwijder het mes.
- Controleer de messteun en de mesbout om te zien of er schade is.
- Controleer de motoras om te controleren of deze niet is verbogen.
- Wanneer u het nieuwe mes bevestigt, richt dan de gebogen uiteinden van het mes naar de kap van het maaidek. (Fig. 43)
- Controleer of het mes is uitgelijnd met het midden van de motoras.
- Zet het mes vast met een houten blok. Bevestig de veerring en draai de bout en ring vast met een aanhaalmoment van 20 Nm.23-28 (Fig. 44)
- Draai het mes met de hand rond en controleer of het vrij draait.



WAARSCHUWING: Draag handschoenen van dikke stof. Het mes is zeer scherp en kan gemakkelijk snijwonden veroorzaken.

- Start het product om het mes te testen. Als het mes niet goed is bevestigd, zijn er trillingen in het product of is het maaire resultaat niet goed.

Probleemoplossing

Problemen met de acculader oplossen

| Led op de acculader | Oorzaak | Oplossing |
|--|--|--|
| De groene led is ingeschakeld en de rode led knippert. | De accu is niet op de juiste wijze in de acculader geplaatst. | Verwijder de accu uit de lader en plaats de accu weer in de acculader. |
| | De accuconnectoren zijn vuil. | Maak de accuconnectoren schoon. |
| | De lader heeft een interne fout geïdentificeerd. | Zorg ervoor dat alle accu's volledig zijn ingebracht. Verwijder de netstekker en plaats daarna terug. Als de fout opnieuw optreedt, laat de lader dan controleren door een erkend after-sales servicecentrum voor producten van Husqvarna. |
| | De accu is defect. | Vervang de accu. |
| De rode led is ingeschakeld en de groene led is uitgeschakeld. | De accutemperatuur ligt buiten het laadbereik. | Wacht tot de accutemperatuur zich weer in het toegestane laadtemperatuurbereik (0-45°C) bevindt. |
| De groene led en de rode led zijn uitgeschakeld. | De acculader is niet goed op het stopcontact aangesloten. | Sluit de acculader aan op een stopcontact. |
| | Defect stopcontact. | Sluit de acculader alleen aan als de spanning en frequentie overeenkomen met de specificaties op het productplaatje. |
| | De kabel van de acculader is defect. | Neem contact op met een erkende servicewerkplaats. |
| | De acculader is defect. | |
| Andere fouten. | Als er andere fouten optreden, schakelt u het product uit, verwijdert u de accu en neemt u contact op met een erkende servicewerkplaats. | |

Problemen met de gazonmaaier oplossen

Het waarschuwinglampje (fout-led) bevindt zich aan de achterkant van het product, achter het accudeksel.

| Probleem | Fout-led (aantal keer knippen) | Oorzaak | Oplossing |
|---|---|--|---|
| Fout-led knippert. Het product werkt niet correct. | 5 | Het blad is geblokkeerd. | Draai de veiligheidssleutel naar 0 om onbedoeld starten te voorkomen. Verwijder de accu en wacht minimaal 5 seconden. Verwijder mogelijke obstakels en zorg ervoor dat het blad vrij kan draaien. Indien het probleem zich blijft voordoen, neem dan contact op met een erkende servicewerkplaats. |
| | | Het motortoerental daalt te veel en de motor stopt. | Vergroot de maaihoogte. Zie <i>Maaihoogte afstellen op pagina 350</i> . |
| | 10 | De motorregeling is te warm. | Stop de motor en wacht tot hij is afgekoeld. |
| Fout-led knippert. Het product stopt. | 22 | De accutemperatuur is te hoog omdat de temperatuur in de werkomgeving te hoog is. | Haal de accu uit de machine en wacht tot deze is afgekoeld voordat u de machine opnieuw start. Zorg ervoor dat de omgevingstemperatuur correct is. Gebruik de accu in temperaturen tussen 0°C - +40°C. Indien het probleem zich blijft voordoen, neem dan contact op met een erkende servicewerkplaats. |
| | | De accutemperatuur is te hoog omdat de motor overbelast is | Vergroot de maaihoogte. Zie <i>Maaihoogte afstellen op pagina 350</i> . Indien het probleem zich blijft voordoen, neem dan contact op met een erkende servicewerkplaats. |
| | 0 | Storing accuconnector. | Controleer de accuconnector. |
| | 3 | De motor is overbelast. | Vergroot de maaihoogte. Zie <i>Maaihoogte afstellen op pagina 350</i> . |
| | 9 | Accufout of geen signaal van de accu. | Plaats de accu correct in het product en controleer de accuconnector. Als de fout-led op de accu knippert, raadpleegt u <i>Problemen met de acculader oplossen op pagina 353</i> . Indien het probleem zich blijft voordoen, neem dan contact op met een erkende servicewerkplaats. |
| | 8 | De accu is zwak. | Laad de accu op. Zie <i>De accu opladen op pagina 350</i> . |
| | 12 | Onjuiste startprocedure. De remhendel van de motor is ingeschakeld voordat de motor start. | Laat de remhendel van de motor los en wacht ongeveer 5 seconden. Druk de remhendel van de motor opnieuw omlaag om het product te starten. |
| Andere fouten. | Als er andere fouten optreden, draait u de veiligheidssleutel naar 0, verwijdert u de accu en neemt u contact op met een erkende servicewerkplaats. | | |

Inleiding



WAARSCHUWING: Voorkom onbedoeld starten tijdens transport en opslag door de veiligheidssleutel op 0 te zetten, de accu te verwijderen en ten minste 5 seconden te wachten.

Product in de transportstand zetten

1. Verwijder de grasopvangbak en zorg ervoor dat deze leeg is.
2. Draai de vergrendelknoppen op de hendel linksom naar de ontgrendelde positie. (Fig. 45)
3. Duw de hendel in de richting van de achterste kap.
4. Draai de vergrendelknoppen op de hendel rechtsom naar de vergrendelde stand.
5. Draai de 2 hendelknoppen naar de ontgrendelde stand. (Fig. 46)
6. Klap de hendel omlaag tot u een klik hoort. (Fig. 47)

Zie *Het product in de opslagstand zetten op pagina 355* voor opslag van het product.

Transport

- De wettelijke vereisten voor gevaarlijke stoffen zijn van toepassing voor de Li-ion-accu's die in het product zitten.
- Voor commercieel transport moet aan speciale vereisten voor de verpakking en labels worden voldaan.
- Zorg dat u de regels voor gevaarlijke materialen in acht neemt bij het voorbereiden van het product voor transport. Er kunnen lokale voorschriften van toepassing zijn.
- Verwijder voor transport altijd de accu.
- Plaats tape op de accuconnectors en zorg ervoor dat de accu niet kan bewegen tijdens transport.
- Zet het product vast tijdens transport.

Opslag

- Laat het product voor opslag afkoelen.
- Verwijder voor opslag altijd de accu.
- Om ongevallen te voorkomen, dient u ervoor te zorgen dat de accu tijdens opslag niet op het product is aangesloten.
- Bewaar de acculader in een afgesloten en droge ruimte.
- Bewaar de accu en de acculader op een droge, vocht- en vorstvrije plaats.
- Koppel de accu tijdens opslag los van de accu.

- Bewaar de accu niet op plaatsen waar statische elektriciteit aanwezig is. Bewaar de accu niet in een metalen doos.
- Bewaar het product in omgevingstemperaturen tussen -20 °C en +50 °C.
- Bewaar de accu in omgevingstemperaturen tussen -20 °C en +50 °C en nooit in direct zonlicht.
- Bewaar de acculader op een droge, afgesloten en vorstvrije plek.
- Zorg ervoor dat de accu schoon en opgeladen is voordat deze langdurig wordt opgeslagen.
- Bewaar het product, de accu en de acculader in een afgesloten ruimte, buiten bereik van kinderen en onbevoegden.
- Reinig het product en zorg ervoor dat de grasopvangbak leeg is.
- Voer de onderhoudsprocedures uit die in deze bedieningshandleiding staan beschreven. Zie *Onderhoud op pagina 351*.
- Voer een volledige servicebeurt uit voordat u het product voor langere tijd opslaat.

Het product in de opslagstand zetten



WAARSCHUWING: Voorkom onbedoeld starten tijdens transport en opslag door de veiligheidssleutel op 0 te zetten, de accu te verwijderen en ten minste 5 seconden te wachten.

1. Verwijder de accu.
2. Zet het product in de transportstand. Zie *Product in de transportstand zetten op pagina 355*.
3. Verplaats het product naar de opslaglocatie.

Het product horizontaal op de grond bewaren

1. Zet het product in de opslagstand. Zie *Het product in de opslagstand zetten op pagina 355*.
2. Bevestig de grasopvangbak. Zie *De grasopvangbak monteren op pagina 356*.
3. Bewaar het product horizontaal op de grond. (Fig. 48)

Het product verticaal op de grond bewaren

1. Zet het product in de opslagstand. Zie *Het product in de opslagstand zetten op pagina 355*.
2. Til het product op aan de hijspunten op de hendel en zet het product verticaal op een vlakke ondergrond. (Fig. 49)



WAARSCHUWING: Til het product niet op aan de kap van het maaidek. Het mes is zeer scherp en kan gemakkelijk snijwonden veroorzaken.

3. Bevestig de grasopvangbak. Zie *De grasopvangbak monteren op pagina 356*.
4. Zorg ervoor dat het product stabiel staat en dat de 2 steunpoten de vloer raken.
5. Plaats het product verticaal op de grond. (Fig. 50)

Het product verticaal aan de meegeleverde haak opslaan



WAARSCHUWING: Hang het product alleen aan de muur met de meegeleverde haak.

1. Monteer de meegeleverde haak. Zie *De haak aan de wand bevestigen op pagina 349*.
2. Zet het product in de opslagstand. Zie *Het product in de opslagstand zetten op pagina 355*.
3. Til het product op aan de hijspunten op de hendel. (Fig. 49)



WAARSCHUWING: Til het product niet op aan de kap van maaidek. Het mes is zeer scherp en kan gemakkelijk snijwonden veroorzaken.

4. Hang het product verticaal op aan de meegeleverde haak. Zie *De haak aan de wand bevestigen op pagina 349*. (Fig. 51)
5. Zorg ervoor dat het product goed hangt en stabiel op de 2 stangen van de haak staat.
6. Bevestig de grasopvangbak. Zie *De grasopvangbak monteren op pagina 356*.

De grasopvangbak monteren

1. Bevestig de grasopvangbak aan de groef aan de voorkant van het product. (Fig. 52)
2. Duw het onderste gedeelte van de grasopvangbak tegen het hijspunt totdat u een klik hoort. (Fig. 53)

Afvoer

Symbolen op het product of op de verpakking van het product geven aan dat dit product niet beschouwd kan worden als huishoudelijk afval. Het moet worden ingeleverd bij een geschikt inzamelstation voor het terugwinnen van elektrische en elektronische apparatuur.

Als u ervoor zorgt dat dit product goed wordt verwerkt, helpt u mogelijk negatieve gevolgen voor het milieu en mensen door verkeerd afvalbeheer van dit product tegen te gaan. Neem voor meer informatie over het recyclen van dit product contact op met de gemeente, het afvalverwerkingsbedrijf of de winkel waar u het product hebt gekocht.

(Fig. 54)

Alleen voor EU-landen: Volgens richtlijn 2006/66/EG moeten defecte of gebruikte accupacks/accu's afzonderlijk worden ingezameld en op milieuvriendelijke wijze worden verwijderd.

Alleen voor het Verenigd Koninkrijk: Volgens de Waste Batteries and Accumulators Regulations 2009 (SI 2009/890) (zoals aangepast) moeten accupack/accu's die niet langer bruikbaar zijn afzonderlijk worden ingezameld en op milieuvriendelijke wijze worden verwijderd.

Technische gegevens

Technische gegevens

| Aspire LC34-P4A | |
|---------------------------------------|------------------------|
| Maaimotor | |
| Motortype | BLDC (borstelloos) 18V |
| Motortoerental – nominaal, tpm | 3000 |
| Motortoerental – hoge belasting, tpm | 3500 |
| Uitgangsvermogen motor – max. kW | 0,7 |
| Uitgangsvermogen motor – nominaal, kW | 0,5 |
| Aandrijfmotor | |
| Uitgangsvermogen motor – nominaal, kW | N.v.t. |
| Loopsnelheid, km/h | N.v.t. |
| Afstelniveaus voor snelheid | N.v.t. |
| Gewicht | |

| | |
|---|------------------------|
| | Aspire LC34-P4A |
| Gewicht zonder zak (excl. accu), kg | 11,5 |
| Gewicht met zak (incl. 1x P4A 18-B72), kg | 13,5 |
| Accu | |
| Type accu | Lithium-ion |
| Gebruiksduur accu | |
| Gebruiksduur van accu in minuten, ⁶¹ | 60 |
| Geluidsemisssies ⁶² | |
| Geluidsvermogeniveau, gemeten dB(A) | 86 |
| Geluidsvermogensniveau, gegarandeerd L _{WA} dB (A) | 87 |
| Geluidsniveaus ⁶³ | |
| Geluidsdrukniveau bij het oor van de gebruiker, dB (A) | 74 |
| Trillingsniveau ⁶⁴ | |
| Hendel, m/s ² | 0,5 |
| Snijuitrusting | |
| Maaihoogte, mm | 30-65 |
| Maai breedte, cm | 34 |
| Blad, standaard | Combi 5375561-10 |
| Mes, accessoire | N.v.t. |
| Capaciteit grasopvangbak, l | 30 |

Goedgekeurde accu's

aanbevolen om accu's met een minimum van 4,0 Ah te gebruiken.

Dit product kan met alle **POWER FOR ALL** accu's worden gebruikt. Voor de beste prestaties wordt

| Accu | P4A 18-B45 | P4A 18-B72 |
|------------------------|-------------|-------------|
| Type | Lithium-ion | Lithium-ion |
| Accucapaciteit, Ah | 2,5 | 4,0 |
| Nominale spanning, V | 18 | 18 |
| Gewicht, kg | 0,35 | 0,65 |
| Aantal cellen (Li-ion) | 5 | 10 |

⁶¹ (onbelast gebruik) met standaardmodus geactiveerd, met één Husqvarna 4,0 Ah-accu (P4A 18-B72).

⁶² Geluidsemisssie naar de omgeving gemeten als geluidsvermogen (L_{WA}) volgens EG-richtlijn 2000/14/EG.

⁶³ De gerapporteerde gegevens voor het geluidsdrukniveau hebben een onzekerheidsfactor (K) van 1,5 dB(A).

⁶⁴ Gerapporteerde gegevens voor het trillingsniveau hebben een onzekerheidsfactor (K) van 1,5 m/s². De opgegeven totale trillingswaarde is gemeten overeenkomstig de norm EN 62841-4-3, bijlage I en kan worden gebruikt om machines onderling te vergelijken en voor een voorlopige beoordeling van de blootstelling.

Goedgekeurde acculaders

| Acculader | P4A 18-C70 |
|--------------------|------------|
| Ingangsspanning, V | 220–240 |
| Frequentie, Hz | 50–60 |
| Vermogen, W | 70 |

Verklaring van overeenstemming

EU-verklaring van overeenstemming

Wij, **Husqvarna AB**, SE-561 82 Huskvarna, Zweden, tel: +46-36-146500, verklaren onder onze alleenverantwoordelijkheid dat het product:

| | |
|----------------------|-----------------------------------|
| Beschrijving | Gazonmaaier |
| Merk | Husqvarna |
| Type / model | Aspire LC34-P4A |
| Identificatie | Serienummers vanaf 2022 en verder |

volledig voldoet aan de volgende EU-richtlijnen en -regelgeving:

| Verordening | Beschrijving |
|--------------------|--|
| 2006/42/EG | "betreffende machines" |
| 2014/30/EU | "betreffende elektromagnetische compatibiliteit" |
| 2000/14/EG | "betreffende de geluidsemissies in het milieu" |
| 2011/65/EU | "inzake beperking van het gebruik van bepaalde gevaarlijke stoffen in elektrische en elektronische apparatuur" |

en dat de volgende normen en/of technische specificaties zijn toegepast: EN 62841-1:2015/AC:2015, EN IEC 62841-4-3:2021/A11:2021, EN ISO 12100:2010, EN 55014-1:2021, EN 55014-2:2021, EN IEC 61000-6-2:2019, EN IEC 61000-6-3:2021, EN IEC 63000:2018

Aangemelde instantie: 0404, RISE SMP Svensk Maskinprovning AB, Box 4053, SE-904 03 Umeå, Sweden is gecertificeerd conform Richtlijn 2000/14/EG van de Raad, beoordelingsprocedure voor conformiteit: Bijlage VI.

Voor informatie over geluidsemissies, zie *Technische gegevens op pagina 356*.

Huskvarna, 2022-10-24



Claes Losdal, Development Manager/Garden Products, Huskvarna AB

Verantwoordelijk voor technische documentatie



Vergunningen

Copyright © 2012–2020 STMicroelectronics

De garantie geldt niet voor defecten die het gevolg zijn van normale slijtage, onachtzaamheid, onjuist gebruik, onbevoegde reparatie of het aansluiten van het afzuggapparaat op een onjuiste spanning.

Alle rechten voorbehouden

Distributie en gebruik in bron- en binaire vormen, met of zonder aanpassing, zijn toegestaan mits aan de volgende voorwaarden is voldaan:

- Distributie van broncode moet de bovenstaande auteursrechtverklaring, de lijst met voorwaarden en de volgende disclaimer bevatten.
- Distributie in binaire vorm moet de bovenstaande auteursrechtverklaring, de lijst met voorwaarden en de volgende disclaimer in de documentatie en/of andere materialen die bij de distributie worden geleverd, reproduceren.
- De naam van STMicroelectronics of de namen van de partijen die een bijdrage hebben geleverd mogen zonder nadrukkelijke schriftelijke toestemming niet worden gebruikt om producten die zijn afgeleid van deze software te ondersteunen of promoten.

DEZE SOFTWARE WORDT DOOR DE AUTEURSRECHTHEBBENDEN EN PARTIJEN DIE HEBBEN BIJGEDRAGEN 'AS-IS' GELEVERD EN EVENTUELE EXPLICIETE OF IMPLICIETE GARANTIES MET INBEGRIJ VAN, MAAR NIET BEPERKT TOT IMPLICIETE GARANTIES VAN VERKOOPBAARHEID EN GESCHIKTHEID VOOR EEN BEPAALD DOEL WORDEN UITGESLOTEN. DE AUTEURSRECHTHEBBENDE OF PARTIJEN DIE EEN BIJDRAGE HEBBEN GELEVERD KUNNEN NOOIT AANSPRAKELIJK WORDEN GESTELD VOOR DIRECTE, INDIRECTE, INCIDENTELE, BIJZONDERE, TYPISCHE OF GEVOLGSCHADE (MET INBEGRIJ VAN , MAAR NIET BEPERKT TOT AANKOOP VAN VERVANGENDE GOEDEREN OF DIENSTEN, VERLIES VAN GEBRUIK, GEGEVENS OF WINST, OF BEDRIJFSONDERBREKING) DIE OP WELKE MANIER DAN OOK EN OP WELK VERMOEDEN VAN AANSPRAKELIJKHEID DAN OOK IS VEROORZAAKT, ONGEACHT OF DEZE IS ONTSTAAN DOOR EEN CONTRACT, STRIKTE AANSPRAKELIJKHEID OF EEN ONRECHTMATIGE DAAD (WAARONDER VERZUIJ OF ANDERS) IN VERBAND MET HET GEBRUIK VAN DEZE SOFTWARE, ZELFS ALS ER GEWAARSCHUWD IS VOOR DE MOGELIJKHEID VAN DERGELIJKE SCHADE.

Apache 2.0 licentie

Copyright © 2009-2019 Arm Limited. Alle rechten voorbehouden

Versie 2.0, januari 2004 <http://www.apache.org/licenses/>

ALGEMENE VOORWAARDEN VOOR GEBRUIK, REPRODUCTIE EN VERSPREIDING

1. Definities.

Met '**licentie**' wordt de algemene voorwaarden, reproductie en verspreiding zoals gedefinieerd in secties 1 t/m 9 van dit document, bedoeld. Met '**licentiegever**' wordt de auteursrechtgebende of entiteit die door de auteursrechtgebende die deze licentie afgeeft is geautoriseerd, bedoeld. Met '**juridische entiteit**' wordt de samenvoeging van de handelende entiteit en alle andere entiteiten die deze entiteit beheren, hierdoor worden beheerd of hiermee onder gezamenlijk beheer staan, bedoeld. In de zin van deze definitie betekent '**beheer**' (i) de macht, direct of indirect, om de richting van het management van een dergelijke entiteit via contract of anderszins te bepalen of (ii) eigendom van vijftig procent (50%) of meer van de uitstaande aandelen of (iii) economisch eigendom van een dergelijke entiteit. Met '**u**' (of '**uw**') wordt een individuele of juridische entiteit die door deze licentie toegekende toestemmingen uitoefent, bedoeld. Met '**bron**'vorm wordt de geprefereerde vorm voor het maken van aanpassingen, met inbegrip van, maar niet beperkt tot softwarebroncode, documentatiebron en configuratiebestanden, bedoeld. Met '**object**' wordt elke vorm die voortkomt uit mechanische transformatie of vertaling van een bronvorm, met inbegrip van, maar niet beperkt tot samengestelde objectcode, gegenereerde documentatie en conversies naar andere soorten media, bedoeld. Met '**werk**' wordt het werk van auteurschap, in bron- of objectvorm, dat beschikbaar is gesteld onder de licentie, zoals aangegeven door een auteursrechtverklaring die is inbegrepen in of bijgevoegd aan het werk (een voorbeeld staat in de onderstaande bijlage), bedoeld. Met '**afgeleide werken**' worden werken, in bron- of objectvorm, die gebaseerd zijn op (of afgeleid zijn van) het werk en waarvoor de redactionele revisies, annotaties, uitwerkingen of andere aanpassingen als geheel een origineel werk van auteurschap vormen, bedoeld. Voor de toepassing van deze licentie bevatten afgeleide werken geen werken die scheidbaar blijven van of voornamelijk koppelen (of via naam gebonden zijn) aan de raakvlakken van het werk en de daarvan afgeleide werken. Met '**bijdrage**' wordt elk werk van auteurschap, met inbegrip van de originele versie van het werk en aanpassingen van of toevoegingen aan het betreffende werk of de afgeleide werken, dat wordt ingediend bij de licentiegever voor insluiting in het werk door de auteursrechtgebende of een persoon of juridische entiteit die geautoriseerd is om dit namens de auteursrechtgebende in te dienen, bedoeld. Voor de toepassing van deze definitie betekent '**ingediend**' elke vorm van elektronische, mondelinge of schriftelijke communicatie die naar de licentiegever of diens vertegenwoordigers is verstuurd, met inbegrip van, maar niet beperkt tot communicatie op elektronische mailinglijsten, broncode-regelsystemen en probleemtrackingsystemen die beheerd worden door, of namens de licentiegever voor het bespreken

en verbeteren van het werk, maar exclusief de communicatie die gemarkeerd of op een andere manier schriftelijk door de auteursrechtbehoudende als **'geen bijdrage'** wordt aangeduid. Met **'bijdrager'** wordt de licentiegever en elke individuele of juridische entiteit van wie de licentiegever een bijdrage heeft ontvangen en vervolgens in het werk heeft geïntegreerd, bedoeld.

2. Toekenning van auteursrechtlicentie.

Onderhevig aan de algemene voorwaarden van deze licentie, geeft elke bijdrager u bij dezen een eeuwigdurende, wereldwijde, niet-exclusieve, gratis, royaltyvrije, onherroepelijke auteurslicentie voor het reproduceren, voorbereiden van afgeleide werken hiervan, openbaar weergeven, openbaar uitvoeren, sublicentiëren en distribueren van het werk en dergelijke afgeleiden werken in bron- of objectvorm.

3. Toekenning van octrooilicentie.

Onder voorbehoud van de algemene voorwaarden van deze licentie, verleent elke bijdrager hierbij aan u een eeuwigdurende, wereldwijde, niet-exclusieve, kosteloze, royaltyvrije, onherroepelijke (behalve zoals vermeld in deze sectie) octrooilicentie om het werk te maken, te laten maken, te gebruiken, aan te bieden voor verkoop, te verkopen, te importeren en anderszins over te dragen, waarbij een dergelijke licentie alleen van toepassing is op die octrooi-conclusies waarvoor een dergelijke bijdrager een licentie kan verlenen en die noodzakelijkerwijs worden geschonden door zijn bijdrage(n) alleen of door de combinatie van zijn bijdrage(n) met het werk waaraan die bijdrage(n) werd(en) geleverd. Als u octrooigeschillenbeslechting tegen een entiteit (waaronder een tegenclaim in een rechtszaak) start die beweert dat het werk of een opgenomen bijdrage in het werk een directe of essentiële octrooi-inbreuk is, zullen alle patentlicenties die onder deze licentie voor dat werk aan u zijn toegekend worden beëindigd op de datum dat een dergelijke geschillenbeslechting is ingediend.

4. Distributie.

U mag kopieën van het werk of afgeleide werken in welk medium dan ook, met of zonder aanpassingen en in bron- of objectvorm reproduceren en distribueren, mits u aan de volgende voorwaarden voldoet:

- U moet andere ontvangers van het werk of afgeleide werken een kopie van deze licentie geven; en
- U moet ervoor zorgen dat aangepaste bestanden van duidelijke vermeldingen zijn voorzien waarin wordt aangegeven dat u de bestanden hebt gewijzigd; en u moet in de bronvorm van afgeleide werken die u distribueert alle auteursrecht-, octrooi-, handelsmerk- en toekenningsvermeldingen van de bronvorm van het werk, exclusief vermeldingen die geen betrekking hebben op delen van de afgeleide werken in bronvorm van afgeleide werken, behouden; en
- Als het werk een **'VERMELDING'**-tekstbestand als onderdeel van de distributie bevat, moeten alle

afgeleide werken die u distribueert een leesbare kopie van de toekenningsvermeldingen in een dergelijk VERMELDING-bestand bevatten, exclusief vermeldingen die geen betrekking hebben op een deel van de afgeleide werken en deze moet zich op minimaal een van de volgende plekken bevinden: in een VERMELDING-tekstbestand die gedistribueerd wordt als onderdeel van de afgeleide werken, in de bronvorm of documentatie, indien samen met de afgeleide werken geleverd; of, binnen een weergave die wordt gegenereerd door de afgeleide werken, als en waar dergelijke vermeldingen van derden normaliter worden weergegeven. De inhoud van het VERMELDING-bestand is alleen voor informatieve doeleinden en zorgt niet voor een wijziging van de licentie. U kunt uw eigen toekenningsvermeldingen in de afgeleide werken toevoegen die u distribueert, samen met of als bijlage van de VERMELDING-tekst van het werk, mits dergelijke aanvullende toekenningsvermeldingen niet kunnen worden uitgelegd als een wijziging van de licentie. U kunt uw eigen auteursrechtverklaring aan uw wijzigingen toevoegen en kunt voor aanvullende of andere algemene licentievoorwaarden voor gebruik, reproductie of distributie van uw wijzigingen of voor dergelijke afgeleide werken als geheel zorgen, mits uw gebruik, reproductie en distributie van het werk aan de voorwaarden in deze licentie voldoet.

5. Indienen van bijdragen.

Tenzij u uitdrukkelijk iets anders aangeeft, zal elke bijdrage die voor opname in het werk door u of de licentiegever wordt ingediend onder de algemene voorwaarden van deze licentie zijn, zonder aanvullende algemene voorwaarden. Ondanks het bovenstaande zal niets hierin de voorwaarden van een afzonderlijke licentieovereenkomst die u met de licentiegever met betrekking tot dergelijke bijdragen hebt afgesloten, vervangen of aanpassen.

6. Handelsmerken.

Deze licentie geeft geen toestemming voor het gebruik van de handelsnamen, handelsmerken, servicemerken of productnamen van de licentiegever, behalve waar nodig voor redelijk en normaal gebruik in het beschrijven van de origine van het werk en reproductie van de inhoud van het VERMELDING-bestand.

7. Uitsluiting van garantie.

Tenzij vereist door toepasselijk recht of schriftelijk overeengekomen biedt licentiegever het werk (en elke partij die de bijdragen levert) op een **'AS-IS'-BASIS, ZONDER GARANTIES OF VOORWAARDEN**, noch expliciet, noch impliciet, met inbegrip van, maar niet beperkt tot garanties of voorwaarden van TITEL, NIET-INBREUK, VERKOOPBAARHEID OF GESCHIKTHEID VOOR EEN BEPAALD DOEL, AAN. U alleen bent verantwoordelijk voor het bepalen van de geschiktheid van het gebruik of distribueren van het werk en draagt de eventuele risico's die gepaard

gaan met uw uitoefening van toestemming onder deze licentie. 8. Beperking van aansprakelijkheid. In geen omstandigheden en onder geen wettelijke theorie, of dit nu een onrechtmatige daad (met inbegrip van nalatigheid), overeenkomst of anderszins is, tenzij vereist door toepasselijk recht (zoals opzettelijke en grof nalatige handelingen) of schriftelijk overeengekomen, is een bijdrager niet aansprakelijk voor schade, inclusief directe, indirecte, bijzondere, incidentele of gevolgschade van welke aard dan ook als gevolg van deze licentie of het door het gebruik of het niet kunnen gebruiken van het werk (met inbegrip van, maar niet beperkt tot schade voor verlies van goodwill, stopzetting van werk, een computerdefect of -storing of andere commerciële schade of verliezen), zelfs als de bijdrager op de hoogte is gebracht van de waarschijnlijkheid van dergelijke schade.

9. Accepteren van de garantie of aanvullende aansprakelijkheid.

Tijds het distribueren van het werk of de daarvan afgeleide werken kunt u ervoor kiezen om acceptatie van ondersteuning, garantie, vrijwaring of andere aansprakelijkheidsverplichtingen en/of rechten die consistent zijn met deze licentie aan te bieden en hier geldt voor te vragen. Bij het accepteren van dergelijke verplichtingen mag u alleen namens uzelf en op eigen verantwoordelijkheid handelen en niet namens andere partijen die een bijdrage leveren en alleen u stemt ermee in om elke bijdrager te vrijwaren, verdedigen en schadeloos te stellen voor aansprakelijkheid veroorzaakt door, of claims tegen een dergelijke bijdrager als gevolg van uw acceptatie van een dergelijke garantie of aanvullende aansprakelijkheid. EINDE ALGEMENE VOORWAARDEN

Geregistreerde handelsmerken

QR-code is een geregistreerd handelsmerk van DENSO WAVE INCORPORATED in Japan.

INNHold

| | | | |
|------------------|-----|--|-----|
| Innledning..... | 363 | Transport, oppbevaring og avhending..... | 376 |
| Sikkerhet..... | 364 | Tekniske data..... | 377 |
| Montering..... | 370 | Samsvarserklæring..... | 380 |
| Drift..... | 371 | Lisenser..... | 381 |
| Vedlikehold..... | 372 | Registrerte varemerker..... | 383 |
| Feilsøking..... | 374 | | |

Innledning

Produktbeskrivelse

Produktet er en roterende skyveggressklipper. Gresset samles i oppsamleren. Ta av oppsamleren for å få bakutkast for gress. Fest en finfordelingsplugg for å klippe gresset til gjødsel.

Bruksområder

Bruk produktet til å klippe gress. Ikke bruk produktet til andre oppgaver.

Hurtigveiledning

Skann QR-koden for å få råd om hvordan du bruker produktet.



Produktoversikt

(Fig. 1)

1. Motorbremshåndtak
2. Startsperr
3. Håndtak/styrestang
4. Låseknott for håndtaket
5. Håndtaksknotter
6. Oppsamler
7. Finfordelingsplugg
8. Bakdeksel
9. Indikatorlampe på produktet
10. Varsellampe (feilindikator)
11. Tenningsnøkkel
12. Batterirom
13. Batterideksel
14. Symboler
15. Spak for regulering av klippehøyde

16. Batteri (tilbehør)
17. Batterilader (tilbehør)
18. Rød indikatorlampe
19. Grønn indikatorlampe
20. Løftepunkter
21. Krok
22. Bruksanvisning

Symboler på produktet

(Fig. 2) ADVARSEL

(Fig. 3) Les instruksjonene.

(Fig. 4) ADVARSEL – vær oppmerksom på objekter som kan slynges ut.

- (Fig. 5) Hold tilskuere på avstand.
- (Fig. 6) ADVARSEL – hold hender og føtter borte fra bladene.
- (Fig. 7) ADVARSEL – koble fra batteriet før vedlikehold.
- (Fig. 8) Produktet og produktemballasjen er ikke restavfall. Resirkuler det på et gjenvinningsanlegg for elektrisk og elektronisk utstyr.
- (Fig. 9) Støyutslipp til omgivelsene som i EU-direktiver og forskrifter, britiske direktiver og forskrifter og New South Wales-forskriften «Protection of the Environment Operations (Noise Control) Regulation 2017». Garantert lydeffektnivå for produktet er angitt i *Tekniske data på side 377* og på etiketten.
- (Fig. 10) Dette utstyret er i overensstemmelse med gjeldende EU-direktiver.
- (Fig. 11) Dette produktet samsvarer med gjeldende britiske direktiver.
- (Fig. 12) Produktet er dryppebeskyttet.
- (Fig. 13) Slipp motorbrems håndtaket for å stoppe.
- (Fig. 14) Trykk inn motorbrems håndtaket for å starte driften av skjærebladene.
- (Fig. 15) Kode som kan skannes.
- (Fig. 18) Vri for å låse eller låse opp.

Merk: Øvrige symboler/klistremerker angitt på produktet gjelder sertifiseringskrav for visse markeder.

Symboler på batteriet eller batteriladeren

(Fig. 19)

Lever dette produktet til et gjenvinningsanlegg for elektrisk og elektronisk utstyr. (Gjelder kun Europa)

(Fig. 20)

Bruk batteriet kun i produkter fra POWER FOR ALL systempartnere.

(Fig. 21)

Beskytt batteriet mot varme, f.eks. kontinuerlig, kraftig sollys, og mot brann, smuss, vann og fuktighet. Det er fare for eksplosjon og kortslutning.

(Fig. 22)

(Fig. 16)

Batteriladeren skal bare brukes og oppbevares innendørs.

(Fig. 17)

Dobbeltisolert.

Etikett på produktet

(Fig. 23)

FARE – hold hender og føtter unna.

Produktansvar

Som nevnt i lovverket om produktansvar er vi ikke ansvarlig for skader som produktet vårt forårsaker, i følgende tilfeller:

- Produktet er reparert på feil måte.
- Produktet er reparert med deler som ikke kommer fra produsenten eller som ikke er godkjent av produsenten.
- Produktet har et tilbehør som ikke kommer fra produsenten eller som ikke er godkjent av produsenten.
- Produktet er ikke reparert på et godkjent servicesenter eller av en godkjent aktør.

Sikkerhet

Sikkerhetsdefinisjoner

Advarsler, oppfordringer og merknader brukes for å understreke spesielt viktige deler av bruksanvisningen.



ADVARSEL: Brukes hvis det er fare for personskade eller død for brukeren eller andre personer om instruksjonene i håndboken ikke følges.



OBS: Brukes hvis det er fare for skade på produktet, annet materiell eller nærliggende områder om instruksjonene i håndboken ikke følges.

Merk: Brukes for å gi mer nødvendig informasjon for en spesifikk situasjon.

Generelle sikkerhetsadvarsler for produkt



ADVARSEL: Les alle sikkerhetsadvarsler, instruksjoner, illustrasjoner og spesifikasjoner som fulgte med dette produktet. Hvis du ikke følger alle instruksjonene som er angitt nedenfor, kan det føre til elektrisk støt, brann og/eller alvorlige skader.

Ta vare på alle advarsler og instruksjoner for fremtidig bruk. Begrepet «produkt» i advarslene refererer til elektriske produkter som drives av nettstrøm (med ledning) eller batteri (uten ledning).

Sikkerhet i arbeidsområdet

- **Hold arbeidsområdet rent og godt opplyst.** Rot og dårlig opplyste områder kan lett føre til ulykker.
- **Ikke bruk produktet i eksplosiv atmosfære, for eksempel der det finnes brennbare væsker, gasser eller støv.** Produktet danner gnister som kan antenne støv eller gasser.
- **Hold barn og andre tilskuere på avstand når produktet er i bruk.** Distraksjoner kan føre til at du mister kontrollen.

EI-sikkerhet

- **Støpselet til produktet må passe til stikkkontakten. Du må aldri modifisere støpselet på noen måte. Ikke bruk adapterpluggen sammen med jordete produkter.** Når støpselet/pluggen ikke er modifisert og stikkkontakten passer, vil dette redusere faren for elektrisk støt.
- **Unngå kroppskontakt med jodede flater, for eksempel rør, radiatorer, komfyrer og kjøleskap.** Faren for elektrisk støt øker hvis kroppen til brukeren er jodet.
- **Produktet må ikke utsettes for regn eller fuktighet.** Hvis det kommer vann inn et produkt, øker faren for elektrisk støt.
- **Ledningen må håndteres forsiktig. Bruk aldri ledningen til å bære, trekke med deg, eller til å trekke ut støpselet til produktet. Hold ledningen unna varme, olje, skarpe kanter og bevegelige deler.** Skadet eller sammenflokete ledninger øker faren for elektrisk støt.
- **Når et produkt brukes utendørs, må det brukes en skjulteledning som er egnet for utendørsbruk.** Bruk av ledning for utendørs bruk reduserer faren for elektrisk støt.
- **Hvis et produkt må brukes på et fuktig sted, bør det være koblet til en strømkrets som er beskyttet av jordfeilbryter.** Bruk av jordfeilbryter reduserer faren for elektrisk støt.

Personlig sikkerhet

- **Vær oppmerksom, følg med på det du gjør, og bruk sunn fornuft når du bruker et produkt. Ikke bruk et produkt hvis du er trett eller påvirket av narkotika, alkohol eller medisiner.** Et øyeblikks uoppmerksomhet under bruk av produkter kan føre til alvorlig personskade.
- **Bruk personlig verneutstyr. Bruk alltid vernebriller.** Bruk av verneutstyr som støvmaske, vernesko med antisklisåle, hjelm og hørselvern der det kreves, reduserer faren for personskade.
- **Unngå utilsiktet oppstart. Forsikre deg om at bryteren står i av-stillingen før du kobler til strømforsyningen og/eller batteripakken, tar opp produktet eller bærer produktet.** Hvis du bærer et produkt med en finger på bryteren eller med produktet påslått, kan dette lett føre til ulykker.
- **Fjern eventuelle justeringsnøkler før du slår på produktet.** Nøklene som sitter på de roterende delene av produktet, kan føre til personskade.
- **Ikke strekk deg for langt. Hold alltid føttene på bakken og en balansert stilling.** Dette gir deg bedre kontroll over produktet i uventede situasjoner.
- **Bruk egnede klær. Bruk ikke løstsittende klær eller smykker. Hold hår og klær borte fra bevegelige deler.** Løstsittende klær, smykker eller langt hår kan sette seg fast i bevegelige deler.
- **Hvis apparatet er forsynt med tilkobling for støvsuger eller oppsamler, må du forsikre deg om at disse er riktig tilkoblet og brukes på riktig måte.** Bruk av støvoppsamler kan redusere faren for støvrelaterte skader.
- **Selv om du har lang erfaring med bruk av produkter, må du ikke bli uforsiktig eller ignorere sikkerhetsreglene.** En uforsiktig handling kan føre til alvorlig personskade i løpet av en brøkdal av et sekund.

Bruk og vedlikehold av produktet

- **Ikke bruk makt på produktet. Bruk riktig produkt til den aktuelle oppgaven.** Riktig produkt vil gjøre jobben bedre og sikrere i den hastigheten den er konstruert for.
- **Ikke bruk produktet hvis bryteren ikke lar seg slå på og av.** Produkter som ikke kan kontrolleres med bryteren, er farlige, og må repareres.
- **Koble støpselet fra strømforsyningen og/eller batteripakken fra produktet, hvis det er avtakbart, før du foretar justeringer, skifter tilbehør eller legger unna produktet for oppbevaring.** Slike forebyggende sikkerhetstiltak reduserer faren for at produktet starter ved et uhell.
- **Produkter som ikke er i bruk, må oppbevares utilgjengelig for barn. Ikke la produkter brukes av personer som ikke er kjent med produktene eller disse instruksjonene.** Produkter er farlige når de brukes av uerfarne brukere.
- **Vedlikehold produkter og tilbehør. Kontroller for feil innretning eller festing av bevegelige deler, brudd**

på deler eller andre tilstander som kan påvirke produktets funksjon. Hvis produktet er ødelagt, må det repareres før bruk. Mange ulykker forårsakes av dårlig vedlikeholdte produkter.

- **Hold skjæreverktøy skarpe og rene.** Riktig vedlikeholdte skjæreverktøy med skarpe skjærekanter har mindre fare for å sette seg fast, og er lettere å kontrollere.
- **Bruk produktet, tilbehør og verktøybits osv. i henhold til disse instruksjonene, og i forhold til arbeidsforholdene og arbeidet som skal utføres.** Bruk av produkter til andre oppgaver enn de er laget for, kan føre til farlige situasjoner.
- **Hold håndtakene og gripeflatene tørre, rene og frie for olje og fett.** Glatte håndtak og gripeflater gjør trygg håndtering og kontroll av produktet i uventede situasjoner umulig.

Bruk og pleie av batteriverktøy

- **Må bare lades med laderen som er spesifisert av produsenten.** En lader som passer til én batteripakke kan skape brannfare hvis den brukes med en annen batteripakke.
- **Produkter skal bare brukes med spesielt angitte batteripakker.** Bruk av andre batteripakker kan medføre fare for personskaide og brann.
- **Når batteriet ikke er i bruk, må det holdes unna andre metallgjenstander som binders, mynter, nøkler, spiker, skruer og andre små metallgjenstander som kan danne en forbindelse fra den ene batteripolen til den andre.** Kortslutning av batteripolene kan føre til forbrenning eller brann.
- **Hvis batteriet utsettes for store påkjenninger, kan det komme væske ut av det. Unngå i så fall kontakt med denne væsken. Skyll med vann hvis kontakt oppstår ved et uhell.** Hvis du får væske i øynene, kontakt lege øyeblikkelig. Væske som kommer ut av batteriet kan forårsake irritasjon eller forbrenninger.
- **Ikke bruk batteripakken eller verktøyet hvis det er skadet eller endret.** Skadede eller endrede batterier kan ha en uforutsigbar adferd, noe som kan føre til brann, eksplosjoner eller personskader.
- **Ikke eksponer en batteripakke eller et verktøy for brann eller for høy temperatur.** Eksponering for flammer eller temperaturer over 130 °C (265 °F) kan føre til eksplosjon.
- **Følg alle instruksjoner for lading, og ikke lad batteripakken eller verktøyet utenfor temperaturområdet som er angitt i instruksjonene.** Lading på feil måte eller ved temperaturer utenfor det angitte området kan påføre batteriet skade og øke faren for brann.

Service

- **La en kvalifisert reparatør utføre service kun med identiske reservedeler.** Dette sørger for at produktets sikkerhet opprettholdes.
- **Utfør aldri service på skadede batteripakker.** Service av batteripakker skal kun utføres av produsenten eller autoriserte serviceleverandører.

Sikkerhetsadvarsler for gressklipperen

- **Ikke bruk gressklipperen i dårlig vær, spesielt ikke når det er fare for lyn og torden.** Dette øker faren for å bli truffet av lynnedslag.
- **Inspiser området grundig for dyreliv der gressklipperen skal brukes.** Dyreliv kan skades av gressklipperen under bruk.
- **Kontroller området grundig der gressklipperen skal brukes, og fjern alle steiner, pinner, ledninger, bein og andre fremmedlegemer.** Gjenstander som slynges ut, kan forårsake personskaide.
- **Før du bruker gressklipperen må du alltid inspisere skjærebladet og knivsammenstillingen etter synlige tegn på slitasje eller skade.** Skadede deler øker faren for personskaide.
- **Kontroller gressutkastesten ofte med tanke på slitasje eller skader.** En slitt eller skadet gressoppsamler kan øke faren for personskaide.
- **Hold dekslene på plass. Dekslene må være i god stand og være riktig montert.** Et deksel som er løst, skadet eller som ikke fungerer som det skal, kan føre til personskaide.
- **Sørg for at det ikke kommer rusk inn i kjøleluftinntaket.** Blokkerte luftinntak og rusk kan føre til overoppheting eller brannfare.
- **Bruk alltid sklisikkert og beskyttende fotføy når du bruker gressklipperen. Ikke vær barbert eller bruk åpne sandaler når du bruker gressklipperen.** Dette reduserer faren for skade på føttene fra kontakt med skjærebladet når det er i bevegelse.
- **Bruk alltid lange bukser når du bruker gressklipperen.** Hud som ikke er tildekket er mer sannsynlig å skades av gjenstander som kan slynges ut.
- **Ikke bruk gressklipperen i vått gress. Gå, ikke løp.** Dette reduserer faren for å skli og falle, som kan føre til personskaide.
- **Ikke bruk gressklipperen i svært bratte skråninger.** Dette reduserer risikoen for å miste kontrollen, skli og falle, som kan føre til personskaide.
- **Når du arbeider i skråninger, må du alltid stå støtt, alltid arbeide på tvers av skråninger, aldri opp eller ned dem, og være svært forsiktig når du skifter retning.** Dette reduserer risikoen for å miste kontrollen, skli og falle, som kan føre til personskaide.
- **Vær ekstremt forsiktig når du kjører i røvers eller trekker gressklipperen mot deg. Vær alltid oppmerksom på omgivelsene dine.** Dette reduserer faren for å snuble under drift.
- **Ikke ta på skjærebladene eller andre farlige bevegelige deler mens de fortsatt er i bevegelse.** Dette reduserer faren for skader fra bevegelige deler.
- **Når du fjerner fastkjørt materiale eller utfører service på gressklipperen, må du kontrollere at alle strømbrytere er av, og at strømledningen er koblet fra.** Uventet bruk av gressklipperen kan føre til alvorlig personskaide.

Reststrømhet

- Bruk en reststrømhet med en utløsningsstrøm på maksimalt 30 mA.

Generelle sikkerhetsinstruksjoner



ADVARSEL: Les de følgende advarelinstruksjonene før du bruker produktet.

- Dette produktet er farlig hvis det brukes feil, eller hvis du ikke er forsiktig. Personskade eller død kan forekomme hvis du ikke følger sikkerhetsinstruksjonene.
 - Dette produktet danner et elektromagnetisk felt når det er i bruk. Dette feltet kan under visse forhold forstyrre aktive eller passive medisinske implantater. For å redusere faren for hendelser som kan føre til alvorlig eller livstruende skade, anbefaler vi at personer med medisinske implantater rådfører seg med lege og produsenten av det medisinske implantatet før dette produktet tas i bruk.
 - Vær alltid forsiktig, og bruk sunn fornuft. Hvis du ikke er sikker på hvordan du skal bruke produktet i en bestemt situasjon, må du stoppe og snakke med Husqvarna-forhandleren før du fortsetter.
 - Husk at brukeren er ansvarlig for ulykker som involverer andre personer eller deres eiendom.
 - Hold produktet rent. Sørg for at du kan lese skilt og merker.
 - La aldri barn eller personer som ikke har satt seg inn i bruksanvisningen, bruke apparatet. Brukerens lavalder kan være fastsatt i lokale forskrifter.
 - Overvåk alltid personer med redusert fysisk eller mental kapasitet når de bruker produktet. En ansvarlig voksen må alltid være til stede.
 - Ikke bruk produktet dersom du er trett eller syk eller under påvirkning av alkohol, andre rusmidler eller medisiner. Disse tingene har en negativ effekt på synet, vurderingsevnen og dømmekraften din.
 - Ikke bruk produktet hvis det er defekt.
 - Ikke modifier dette produktet, og ikke bruk det dersom det er mulig at andre har modifisert det.
- Produktet må ikke brukes i regn eller fuktige omgivelser. Fare for elektrisk støt øker hvis det kommer vann inn i produktet.
 - Ikke bruk produktet med mindre kniven og alle deksler er riktig montert. En kniv som er feilmontert, kan løsne og forårsake personskade.
 - Pass på at kniven ikke kommer borti gjenstander som steiner og røtter. Dette kan skade kniven og bøye motorakselen. En bøyd aksel kan forårsake mye vibrasjon og utgjør en svært høy fare for at kniven blir løs.
 - Hvis kniven treffer en gjenstand eller det oppstår kraftige vibrasjoner, må produktet stanses øyeblikkelig. Stopp motoren, vri tenningsnøkkelen til 0, og fjern batteriet. Vent til alle bevegelige deler har stoppet. Kontroller produktet for skader. Stram til løse deler. Reparer skader og skift ut skadde deler. La et godkjent serviceverksted utføre reparasjonen.
 - Du må aldri feste motorbremsåndtaket permanent til håndtaket når motoren er i gang.
 - Plasser produktet på et stabilt, flatt underlag, og start det. Pass på at kniven ikke berører bakken eller andre gjenstander.
 - Hold deg alltid bak produktet når du bruker det.
 - La alle hjulene være på bakken, og hold begge hender på håndtaket når du bruker produktet. Hold hender og føtter borte fra de roterende knivene.
 - Ikke vipp produktet når du starter motoren eller under bruk av produktet.
 - Vær forsiktig når du trekker produktet bakover.
 - Du må aldri løfte produktet når motoren er i gang. Hvis du har behov for å løfte produktet, må du først stoppe motoren, vri tenningsnøkkelen til 0 og fjerne batteriet.
 - Ikke gå bakover når du bruker produktet.
 - Stopp motoren når det er nødvendig å vippe produktet for transport eller før du beveger deg over områder uten gress, for eksempel gangveier med grus, stein og asfalt.
 - Ikke løp med produktet når motoren er på. Du må alltid gå mens du bruker produktet.
 - Stopp motoren før du endrer klippehøyde. Utfør aldri justeringer mens motoren er i gang.
 - La aldri produktet være ute av syne mens motoren er i gang. Stopp motoren, og forsikre deg om at skjæreutstyret ikke roterer.
 - Vibrasjonene i produktet under drift kan være forskjellige fra den oppgitte vibrasjonsverdien i *Tekniske data på side 377*. Forskjellen skyldes variasjoner i hvordan produktet brukes. Hvis du bruker produktet ofte eller over lengre tid, må du ta pauser regelmessig for å unngå skader fra vibrasjonene.

Arbeidssikkerhet



ADVARSEL: Les de følgende advarelinstruksjonene før du bruker produktet.

- Bruk dette produktet bare til å klippe gressplener. Det er ikke tillatt å bruke det til andre formål.
- Bruk personlig verneutstyr. Se *Personlig verneutstyr på side 368*.
- Sørg for at du vet hvordan du stopper motoren raskt i en nødsituasjon.

Sikkerhetsinstruksjoner for drift

Personlig verneutstyr



ADVARSEL: Les de følgende advarelinstruksjonene før du bruker produktet.

- Verneutstyr kan aldri fullstendig forhindre skade, men det reduserer skadeomfanget hvis ulykken inntreffer. Spør forhandleren din om hjelp til å velge riktig utstyr.
- Bruk kraftige, sklisikre støvler eller sko. Ikke bruk åpne sko eller gå barbeint.
- Bruk tykke langbukser.
- Bruk vernehansker når det er nødvendig, for eksempel når du fester, undersøker eller rengjør skjæreutstyret.
- Vi anbefaler at du bruker hørselsvern.

Sikkerhetsutstyr på produktet



ADVARSEL: Les de følgende advarelinstruksjonene før du bruker produktet.

- Ikke bruk produktet dersom sikkerhetsutstyret er defekt.
- Ikke fjern eller gjør endringer på sikkerhetsutstyr.
- Utfør regelmessig kontroll av sikkerhetsutstyret. Ta kontakt med ditt Husqvarna-serviceverksted, dersom sikkerhetsutstyret er defekt.

Slik kontrollerer du klippedekselet

Klippedekselet gir mindre vibrasjoner og minsker risikoen for skader forårsaket av kniven.

- Undersøk klippedekselet for å sikre at det ikke er noen skader, for eksempel sprekker.

Slik kontrollerer du tenningsnøkkelen

Tenningsnøkkelen er under batteridekselet. Tenningsnøkkelen kobler til batteriet som forsyner motoren med strøm.

- Skru motoren på og av for å utføre en kontroll av tenningsnøkkelen.
- Hvis tenningsnøkkelen fungerer riktig, kan motoren bare starte når tenningsnøkkelen er i posisjon 1. (Fig. 24)

Kontroller motorbremshåndtaket

Motorbremshåndtaket stopper motoren. Når du slipper motorbremshåndtaket, stopper motoren.

- Start produktet. Se *Slik starter du produktet på side 372*.
- Slipp motorbremsehåndtaket. (Fig. 25)

- Kontroller at produktet stopper. Hvis motoren ikke stopper innen tre sekunder, må du la et godkjent Husqvarna-serviceverksted justere motorbremsen.

Kontroller startspærren

Utfør en kontroll av startspærren for å sikre at den hindrer driften av motoren.

1. Trykk motorbremshåndtaket i retning av styret. Startspærren stopper bevegelsen.
2. Skyv startspærren ut. (Fig. 26)
3. Løsne startspærren, og kontroller at den går tilbake til sin opprinnelige posisjon.

Batterisikkerhet



ADVARSEL: Les alle sikkerhetsinstruksjoner og generelle instruksjonene. Hvis du ikke følger sikkerhetsinstruksjonene og de generelle instruksjonene, kan det føre til elektrisk støt, brann eller alvorlig personskade. **Ta vare på sikkerhetsinformasjonen og de generelle instruksjonene for fremtidig bruk.**

- Disse sikkerhetsinstruksjonene gjelder bare for oppladbare 18 V litium-ionbatterier for POWER FOR ALL-systemet.
- Bruk det oppladbare batteriet kun i produkter fra POWER FOR ALL-systempartnere. 18 V oppladbare batterier merket med POWER FOR ALL er fullt ut kompatible med følgende produkter:
 - Alle produkter i 18 V POWER FOR ALL-batterisystemet.
 - Alle 18 V-produkter fra POWER FOR ALL-systempartnere.
- Følg batterianbefalingene i bruksanvisningen for produktet. Bare på denne måten kan det oppladbare batteriet og produktet brukes uten fare, og de oppladbare batteriene beskyttes mot farlig overbelastning.
- Lad batteriene kun ved bruk av ladere som er anbefalt av produsenten eller av POWER FOR ALL-systempartnere. En lader som passer til én type batteri, kan utgjøre en brannfare hvis den brukes med et annet batteri.
- Batteriet leveres delvis oppladet. For å sikre full batterikapasitet må batteriet lades helt opp i laderen før du bruker elektroverktøyet for første gang.
- Oppbevar batteripakkene utilgjengelig for barn.
- Ikke åpne batteriet. Det er fare for kortslutning.
- Ved skade på og feil bruk av batteriet kan det komme ut damp. Batteriet kan begynne å brenne eller eksplodere. Sørg for at området er godt ventilert, og oppsøk lege dersom du opplever negative virkninger. Dampen kan irritere respirasjonssystemet.
- Hvis batteriet brukes på feil måte, eller hvis det er skadet, kan brennbar væske komme ut av batteriet.

Unngå kontakt med denne væsken. Skyll med vann hvis kontakt oppstår ved et uhell. Oppsøk lege hvis væsken kommer i kontakt med øynene. Væske fra batteriet kan forårsake irritasjon eller brannskader.

- Hvis batteriet er skadet, kan væske komme ut, slik at nærliggende overflater blir tilsølt. Kontroller berørte deler. Rengjør disse delene, eller skift dem om nødvendig.
- Batteripakken må ikke kortslyttes. Når batteripakken ikke er i bruk, må den holdes unna andre metallgjenstander som binders, mynter, nøkler, spiker, skruer og andre små metallgjenstander som kan danne en forbindelse fra den ene batteripolen til den andre. Kortslutning av batteripolene kan føre til forbrenning eller brann.
- Batteriet kan bli skadet av spisse gjenstander som spiker eller skrutrekkere eller ved å bli utsatt for slag eller støt. Det kan oppstå en intern kortslutning som fører til at batteriet brenner, ryker, eksploderer eller overopphetes.
- Utfør aldri service på skadede batteripakker. Service av batteripakker skal kun utføres av produsenten eller autoriserte serviceleverandører.
- Beskytt batteriet mot varme, f.eks. mot kontinuerlig, kraftig sollys eller brann, og mot smuss, vann og fuktighet. Det er fare for eksplosjon og kortslutning.
- Bruk batteriet i produktet kun i omgivelsestemperaturer mellom 0 °C – +40 °C.
- Batteriet må bare oppbevares ved en omgivelsestemperatur på mellom -20 °C – +50 °C. La for eksempel ikke batteriet være i bilen om sommeren. Ved temperaturer på < 0 °C kan noen enheter få redusert effekt.
- Batteriet må kun lades ved en omgivelsestemperatur på mellom 0 og 35 °C. Det oppladbare batteriet må kun lades med en USB-kabel ved en omgivelsestemperatur på mellom 10 og 35 °C. Lading utenfor dette temperaturområdet kan øke faren for skade på batteriet og utgjøre en brannfare.

Sikker bruk av batteriladeren



ADVARSEL: Les alle sikkerhetsinstruksjoner og generelle instruksjoner. Hvis du ikke følger sikkerhetsinstruksjonene og de generelle instruksjonene, kan det føre til elektrisk støt, brann eller alvorlig personskade. **Oppbevar disse instruksjonene på et sikkert sted.** Bruk laderen bare hvis du kan evaluere alle funksjonene fullstendig og utføre dem uten begrensninger, eller hvis du har mottatt tilsvarende instruksjoner.

- Denne laderen er ikke ment for bruk av barn eller personer med fysiske, sensoriske eller mentale begrensninger eller manglende erfaring eller kunnskap. Denne laderen kan brukes av barn som er 8 år eller eldre, og av personer som har fysiske, sensoriske eller mentale begrensninger eller

manglende erfaring eller kunnskap, hvis en person som er ansvarlig for sikkerheten deres, har tilsyn med dem eller har instruert dem i sikker bruk av laderen og de forstår de tilknyttede farene. I andre tilfeller er det risiko for driftsfeil og personskader.

- Ha tilsyn med barn under bruk, rengjøring og vedlikehold. Barn må ikke leke med laderen.
- Lad bare 18 V POWER FOR ALL-systembatterier med en kapasitet på 1,5 Ah. Batterispenningen må tilsvare batteriladespenningen til laderen. Ikke prøv å lade ikke-oppladbare batterier. Hvis du gjør det, er det risiko for brann og eksplosjon.
- Bruk bare laderen i lukkede rom, og ikke i fuktige omgivelser. Hvis det kommer vann inn i elektroverktøyet øker faren for elektrisk støt.
- Hold laderen ren. Smuss fører til fare for elektrisk støt.
- Kontroller alltid laderen, kabelen og støpselet før bruk. Slutt å bruke laderen hvis du oppdager skader. Ikke åpne laderen selv, og få den reparert bare av Husqvarna eller hos et autorisert After Sales-servicenter som bare bruker originale reservedeler. Skadede ladere, kabler og støpsler øker faren for elektrisk støt.
- Ikke bruk laderen på en lettantennelig overflate (for eksempel papir, tekstiler osv.) eller i brennbare omgivelser. Det er fare for brann fordi laderen varmes opp under bruk.
- Ikke dekk til ventilasjonsåpningene på laderen. Hvis du gjør det, kan laderen bli overopphetet og slutte å fungere som den skal.
- Må bare lades med laderen som er spesifisert av produsenten. En lader som passer til én batteripakke kan skape brannfare hvis den brukes med en annen batteripakke.
- Ved skade på og feil bruk av batteriet kan det også komme ut damp. Sørg for at området er godt ventilert, og oppsøk lege dersom du opplever negative virkninger. Dampen kan irritere respirasjonssystemet.
- Hvis batteriet brukes feil, kan det komme væske ut av batteriet. Unngå kontakt med denne væsken. Skyll med vann hvis kontakt oppstår ved et uhell. Oppsøk lege hvis væsken kommer i kontakt med øynene. Væske fra batteriet kan forårsake irritasjon eller brannskader.
- Produkter som bare selges i Storbritannia: Produktet er utstyrt med et BS 1363/A-godkjent støpsel med intern sikring (ASTA-godkjent iht. BS 1362). Hvis støpselet ikke passer til stikkontaktene, må det kuttes av, og et egnet støpsel må monteres i stedet av et autorisert kundeserviceverksted. Det nye støpselet skal ha samme sikringsstørrelse som det opprinnelige støpselet. Det avkuttete støpselet må kastes for å unngå fare for støt, og det må aldri settes inn i en stikkontakt et annet sted.

Sikkerhetsinstruksjoner for vedlikehold



ADVARSEL: Les de følgende advarselinstruksjonene før du bruker produktet.

- Når du skal hindre utilsiktet start under vedlikehold, vrir du om tenningsnøkkelen til 0 og tar ut batteriet. Vent i minst 5 sekunder før du begynner vedlikeholdet.
- Utfør bare vedlikeholdsarbeid som er beskrevet i denne bruksanvisningen. Mer omfattende inngrep og profesjonelle reparasjoner skal utføres av et godkjent serviceverksted. Snakk med nærmeste serviceverksted for mer informasjon.
- Utfør vedlikeholdsarbeidet på riktig måte for å øke levetiden til produktet og redusere risikoen for ulykker.
- Skift ut alle skadde, slitte eller ødelagte deler. Bruk bare originale reservedeler fra produsenten. Andre

reservedeler kan forårsake skade på produktet og øke risikoen for ulykker.

- For å forhindre skade må du ikke fjerne eller gjøre endringer på sikkerhetsutstyret.
- Ta på kraftige hansker når du bruker skjæreutstyret. Kniven er svært skarp, og det er lett å skjære seg.
- Hold skjærekantene skarpe og rene for best og sikrest ytelse.
- La serviceverkstedet undersøke produktet regelmessig og utføre de nødvendige justeringene og reparasjonene.
- Følg instruksjonene for utskifting av tilbehør. Bruk bare tilbehør fra produsenten.
- Når de ikke er i bruk, oppbevarer du produktet, batteriet og batteriladeren fra hverandre i et tørt, innendørs og avlåst område. Kontroller at barn og personer som ikke er autoriserte, ikke kan få tilgang til produktet, batteriet eller batteriladeren.

Montering

Innledning



ADVARSEL: Før du monterer produktet, må du lese kapittelet om sikkerhet.



ADVARSEL: Når du skal hindre utilsiktet start ved montering, vrir du tenningsnøkkelen til 0, tar ut batteriet og venter i minst fem sekunder.

Slik justerer du høyden på håndtaket

Produktet har fritt justeringsområde for høyden på håndtaket. Høyden på håndtaket kan stilles inn til en passende høyde mellom to innstillingspunkter.

1. Sett produktet i arbeidsstilling. Se *Slik setter du produktet i arbeidsstilling på side 371*.
2. Vri låseknottene på håndtaket mot klokken. (Fig. 27)
3. Trekk håndtaket til en passende stilling.
4. Sett de to håndtakene på samme nivå.



OBS: Hvis håndtakene ikke er på samme nivå, vil produktet bli skadet.

5. Vri låseknottene på håndtaket med klokken.
6. Trekk til låseknottene helt.

Slik monterer du oppsamleren

1. Løft det bakre dekselet.
2. Fjern finfordelingspluggen.

3. Fest oppsamleren til den øverste kanten av chassiset.
4. Sett den nedre delen av oppsamleren mot utkasterkanalen. (Fig. 28)



OBS: Kontroller at oppsamleren er riktig forseglet til chassiset på produktet.

Slik monterer du finfordelingspluggen

1. Løft opp det bakre dekselet, og ta av oppsamleren.
2. Skyv finfordelingspluggen inn i utkasterkanalen til du hører et klikk. (Fig. 29)

Slik monterer du kroken på veggen

- Monter kroken innendørs.
- Hold kroken unna sollys og i omgivelsestemperatur på -10 til $+70$ °C.
- Monter kroken på en vegg av gips, tre eller betong.



OBS: Kontroller at veggen tåler belastninger på minst 30 kg.

- Monter kroken på veggen med de tre skruene (A). Bruk veggpluggen (B) hvis det er nødvendig. (Fig. 30)



OBS: Kontroller at skruene passer til veggtypen din.

- Snakk med Husqvarna-serviceverkstedet hvis du vil ha informasjon om tilgjengelig oppbevaringstilbehør for produktet.

Innledning



ADVARSEL: Før du bruker produktet, må du lese og forstå kapittelet om sikkerhet.

Husqvarna Connect

Husqvarna Connect er en kostnadsfri app for mobilenheten din. Husqvarna Connect-appen gir utvidede funksjoner for Husqvarna-produktet ditt:

- utvidet produktinformasjon
- informasjon om og hjelp med produktdele og service

Slik begynner du å bruke Husqvarna Connect

1. Last ned Husqvarna Connect-appen på mobilenheten din.
2. Utfør registrering i Husqvarna Connect-appen.
3. Følg instruksjonene i Husqvarna Connect-appen for å koble til og registrere produktet.

Merk: Husqvarna Connect-appen er ikke tilgjengelig for nedlasting i alle markeder. Kontakt serviceforhandleren din for mer informasjon.

Slik setter du produktet i arbeidsstilling

1. Vri håndtaksknottene til ulåst stilling. (Fig. 31)
2. Fell opp håndtaket til du hører et klikk. (Fig. 32)



OBS: Kontroller at kablene ikke har for hard stramming. For hard stramming kan føre til skade på kabelen hvis håndtaket felles ned i transportstilling.



ADVARSEL: Kontroller at håndtaket er felt opp helt og i låst stilling.

3. Juster høyden på håndtaket. Se *Slik justerer du høyden på håndtaket på side 370*.

Slik regulerer du klippehøyden

1. Flytt spaken for klippehøyde bakover for å øke klippehøyden.
2. Flytt spaken for klippehøyde forover for å senke klippehøyden. (Fig. 33)



OBS: Ikke sett klippehøyden for lavt. Skjærebledene kan treffe bakken hvis overflaten på plenen ikke er vannrett.

Batteri



ADVARSEL: Før du bruker batteriet, må du lese og forstå kapittelet om sikkerhet. Du må også lese og forstå bruksanvisningen for batteriet og batteriladeren.

Batteriet og batteriladeren må oppbevares i riktig omgivelsestemperatur.

| | Omgivelsestemperatur |
|-------------------------------|----------------------|
| Bruk av batteriet i produktet | 0 °C – +40 °C |
| Lade batteriet | 0 °C – +35 °C |

Slik lader du batteriet

Lad batteriet før første gangs bruk.

Merk: Ladeprosessen er bare mulig når batteritemperaturen er innenfor det tillatte temperaturområdet for lading (0–45 °C).

1. Koble strømledningen for batteriladeren til en jodet stikkontakt.



OBS: Kontroller at det er riktig spenning og frekvens.

2. Sett batteriet i batteriladeren. Batteriet er koblet til batteriladeren når den grønne indikatorlampen blinker. (Fig. 34)
3. Batteriet er fulladet når den grønne lampen på batteriladeren lyser kontinuerlig. Lad batteriet i maks. 24 timer.
4. Koble batteriladeren fra strømmettet.



OBS: Ikke dra i ledningen.

5. Fjern batteriet fra batteriladeren.

LED-lampe for batteristatus på batteriladeren

Den røde LED-lampen (A) og den grønne LED-lampen (B) på batteriladeren viser batteristatusen. Se *Fellsøking av batteriladeren på side 374*.

(Fig. 35)

| LED-lampe | Batteristatus |
|--------------------------------|------------------|
| Grønn LED-lampe blinker raskt. | Batteriet lades. |

| LED-lampe | Batteristatus |
|-------------------------------------|---|
| Grønn LED-lampe blinker sakte. | Batteriet er 80 % ladet. |
| Grønn LED-lampe lyser kontinuerlig. | Batteriet er fullt oppladet. |
| Rød LED-lampe lyser kontinuerlig. | Se <i>Feilsøking av batteriladningen på side 374.</i> |
| Rød LED-lampe blinker raskt. | Se <i>Feilsøking av batteriladningen på side 374.</i> |

LED-lampe for batteristatus på produktet

Når batteriet er installert i produktet, viser LED-lampene på produktet batteristatusen.

(Fig. 36)

| LED | Batteristatus |
|----------------------------|--|
| LED-lampe 1, 2 og 3 lyser. | Fulladet. |
| LED-lampe 1 og 2 lyser. | Tilstrekkelig ladet |
| LED 1 lyser. | Lavt ladenivå i batteriet. |
| LED-lampe 1 blinker. | Batteriet er utladet. Batteristatuslampen blinker. Lad batteriet. Se <i>Slik lader du batteriet på side 371.</i> |

Slik starter du produktet

1. Åpne batteridekselet.
2. Sett et oppladet batteri inn i batteriholderen.
3. Vri tenningsnøkkelen til 1. (Fig. 37)
4. Stå bak produktet.
5. Løsne startsperreren. (Fig. 26)
6. Trykk motorbrems håndtaket i retning av håndtaket. (Fig. 38)

Høybelastningsfunksjon

Når produktet klipper langt eller vått gress, øker motoren automatisk turtallet. Motoren går tilbake til standardmodus når høy last ikke er nødvendig.

Motoren kveles

Under drift kan skjærebladet og motoren stoppe midlertidig på grunn av hindringer, for eksempel fordi klippedekselet blokkeres av gress. Se *Slik rengjør du produktet på side 373.*



ADVARSEL: Før du kontrollerer klippedekselet, slipp du motorbrems håndtaket, vri tenningsnøkkelen til 0, tar ut batteriet og venter i minst 5 sekunder. Det er fare for personskade hvis hindringen fjernes og produktet starter ved et uhell.

Slik stopper du produktet



ADVARSEL: Vri tenningsnøkkelen til 0 før du slipper produktet ut av syne.

1. Slipp motorbrems håndtaket for å stoppe motoren. (Fig. 39)
2. Åpne batteridekselet og vri tenningsnøkkelen til 0. (Fig. 40)
3. Når du skal ta ut batteriet, trykker du på utløserknappen og trekker ut batteriet. (Fig. 41)
4. Lad batteriet hvis nivået er lavt. Hvis du vil ha mer informasjon, kan du se *Slik lader du batteriet på side 371.*

Slik får du et godt resultat

- Bruk alltid en godt slipt kniv. En sløv kniv gir ujevnt resultat, og gressets klippeoverflate blir gul. En skarp kniv bruker også mindre energi enn en sløv kniv.
- Ikke klipp mer enn 1/3 av lengden på gresset. Klipp først med klippehøyden stilt høyt. Undersøk resultatet, og senk klippehøyden til det aktuelle nivået. Hvis gresset er veldig langt, kjører du sakte og klipper to ganger om nødvendig.
- Klipp i forskjellige retninger hver gang, for å unngå striper i plenen.
- Hold klippedekselet rent. Oppsamling av gress og smuss på innsiden av klippedekselet kan gi et dårligere klipperesultat. Se *Slik rengjør du produktet på side 373.*

Vedlikehold

Innledning



ADVARSEL: Før du utfører vedlikeholdsarbeid, må du lese og forstå kapittelet om sikkerhet.

For alt vedlikehold og reparasjonsarbeid på produktet er det nødvendig med spesiell opplæring. Vi garanterer fagmessig reparasjon og service. Hvis forhandleren ikke er et serviceverksted, må du snakke med dem for å få informasjon om nærmeste serviceverksted.

Hvis du vil ha mer detaljert informasjon, kan du se www.husqvarna.com.

Vedlikeholdsskjema

Vedlikeholdintervallene er beregnet med utgangspunkt i daglig bruk av produktet. Intervallene kan endres hvis produktet ikke brukes daglig.

For vedlikehold merket med * kan du se instruksjonene i *Sikkerhet på side 364*.

| | Hver bruk | Månedlig | Hver sesong |
|--|-----------|----------|-------------|
| Utfør en generell inspeksjon. | X | | |
| Rengjør produktet. | X | | |
| Kontroller startsperrer. * | X | | |
| Pass på at sikkerhetsutstyret på produktet ikke er defekt. * | X | | |
| Kontroller skjæreutstyret. | X | | |
| Kontroller klippedekselet. * | X | | |
| Kontroller motorbremshåndtaket. * | X | | |
| Kontroller batteriet for skader. | X | | |
| Kontroller batteriets ladenivå. | X | | |
| Kontroller at utløserknappen på batteriet fungerer riktig og at batteriet låses fast i produktet. | X | | |
| Undersøk batteriladeren for skader, og sørg for at den fungerer på riktig måte. | | X | |
| Undersøk forbindelsene mellom batteriet og produktet. Undersøk også forbindelsen mellom batteriet og batteriladeren. | | | X |

Slik utfører du en generell inspeksjon

- Kontroller at mutrene og skruene på produktet er trukket til.
- Sørg for at kablene på produktet ikke er i en posisjon der de kan bli skadet.

Slik rengjør du produktet

- Rengjør plastdeler med en tørr, ren klut.
- Ikke bruk vann til å rengjøre produktet. Vann kan komme inn i batteriet eller motoren og forårsake kortslutning eller skade på produktet.
- Produktet må ikke rengjøres med høytrykksspyler.
- Ikke spyl vann direkte på motoren.
- Bruk en børste for å fjerne løv, gress og smuss.

Slik rengjør du batteriet og batteriladeren



ADVARSEL: Ikke rengjør batteriet eller batteriladeren med vann.



ADVARSEL: Ikke bruk kjemikalier til å rengjøre batteriet.

- Kontroller at batteriet og batteriladeren er rene og tørre før du setter batteriet i batteriladeren.
- Rengjør batteriklemmene med trykkluft, eller bruk en myk og tørr klut.
- Rengjør overflatene på batteriet og batteriladeren med en myk og tørr klut.

Slik kontrollerer du skjæreutstyret



ADVARSEL: Når du skal hindre utilsiktet start, vrir du tenningsnøkkelen til 0, tar ut batteriet og venter i minst fem sekunder.



ADVARSEL: Bruk vernehansker når du utfører vedlikehold på skjæreutstyr. Kniven er svært skarp, og det er lett å kutte seg.

1. Kontroller skjæreutstyret med henblikk på skader og sprekkdannelse. Bytt alltid ut skadet skjæreutstyr.
2. Sjekk om kniven er skadet eller sløv.

Merk: Kniven må balanseres etter at den er slipt. La et servicesenter slipe, skifte og balansere kniven. Hvis du treffer en hindring som fører til at produktet stopper,

må du skifte ut den skadde kniven. La serviceverkstedet vurdere om kniven kan slipes eller om den må skiftes ut.

Slik skifter du ut skjærebladet

Se *Tekniske data på side 377* for informasjon om riktig type skjæreblad.



ADVARSEL: Lås skjærebladet med en trekloss for å hindre skade på fingrene når du skifter det. Skjærebladet kan flyttes når motoren er av. Fingre kan komme i klem mellom bladet og ikke-bevegelige deler.

1. Lås skjærebladet med en trekloss. (Fig. 42)
2. Fjern boltene for skjærebladet.
3. Fjern skjærebladet.
4. Kontroller støtten og boltene for skjærebladet for å se etter skader.
5. Undersøk motorakselen for å forsikre deg om at den ikke er bøyd.

6. Når du fester det nye skjærebladet, må du peke de vinklede endene av bladet i retning av klippedekselet. (Fig. 43)
7. Kontroller at skjærebladet er på linje med midten av motorakselen.
8. Lås skjærebladet med en trekloss. Fest sprengskiven, og trekk til boltene og skiven med et moment på 23-28 Nm. (Fig. 44)
9. Trekk skjærebladet rundt for hånd, og kontroller at det roterer fritt.



ADVARSEL: Bruk solide arbeidshansker. Skjærebladet er svært skarpt, og det er lett å skjære seg.

10. Start produktet for å teste skjærebladet. Hvis bladet ikke er riktig festet, vil produktet vibrere, eller klipperesultatet vil ikke bli bra nok.

Feilsøking

Feilsøking av batteriladeren

| Indikatorlampe på batteriladeren | Årsak | Løsning |
|--|--|--|
| Den grønne lampen lyser kontinuerlig, og den røde blinker. | Batteriet er ikke satt inn i batteriladeren på riktig måte. | Ta batteriet ut av laderen, og sett det inn i laderen igjen. |
| | Batterikontaktene er skitne. | Rengjør batterikontaktene. |
| | Laderen har oppdaget en intern feil. | Kontroller at alle batteriene er satt helt inn. Ta ut støpselet, og sett det inn igjen. Hvis feilen oppstår igjen, må laderen kontrolleres hos et autorisert After Sales-service-senter for Husqvarna-produkter. |
| | Batteriet er defekt. | Skift batteriet. |
| Den røde lampen lyser kontinuerlig, og den grønne lampen er slukket. | Batteritemperaturen er utenfor ladetemperaturområdet. | Vent til batteritemperaturen er tilbake innenfor det tillatte temperaturområdet for lading (0–45 °C). |
| Den grønne og den røde lampen er av. | Batteriladeren er ikke koblet til strømuttaket på riktig måte. | Koble batteriladeren til et strømuttak. |
| | Feil ved strømuttak. | Koble batteriladeren til den spenningen og frekvensen som er angitt på typeskiltet. |
| | Batteriladekabelen er defekt. | Ta kontakt med et godkjent serviceverksted. |
| | Batteriladeren er defekt. | |
| Andre feil. | Hvis det oppstår andre feil, må du passe på at produktet er slått av, ta ut batteriet og kontakte et godkjent serviceverksted. | |

Feilsøking av gressklipperen

Varsellampen (feilindikator) finnes på baksiden av produktet, bak batteridekselet.

| Problem | Feilindikator (antall lysblink) | Årsak | Løsning |
|--|--|---|---|
| Feilindikatoren blinker. Produktet fungerer ikke som det skal. | 5 | Skjærebladet er blokkert. | Vri tenningsnøkkelen til 0 for å forhindre utilsiktet start. Fjern batteriet, og vent i minst 5 sekunder. Fjern mulige hindringer, og pass på at skjærebladet kan rotere fritt. Hvis problemet vedvarer, kan du kontakte et godkjent serviceverksted. |
| | | Motorturtallet faller for mye, og motoren stopper. | Øk klippehøyden. Se <i>Slik regulerer du klippehøyden på side 371</i> . |
| | 10 | Motorstyringen er for varm. | Stopp motoren, og vent til den er avkjølt. |
| Feilindikatoren blinker. Produktet stopper. | 22 | Batteritemperaturen er for høy fordi omgivelsestemperaturen er for høy. | Ta batteriet ut av maskinen og vent til det har kjølt seg ned, før du starter maskinen igjen. Kontroller at omgivelsestemperaturen er riktig. Bruk batteriet ved temperaturer mellom 0 og 40 °C. Hvis problemet vedvarer, må du ta kontakt med et godkjent serviceverksted. |
| | | Batteritemperaturen er for høy fordi det er overbelastning i motoren. | Øk klippehøyden. Se <i>Slik regulerer du klippehøyden på side 371</i> . Hvis problemet vedvarer, kan du kontakte et godkjent serviceverksted. |
| | 0 | Batterikontaktfeil. | Undersøk batterikontakten. |
| | 3 | Det er overbelastning i motoren. | Øk klippehøyden. Se <i>Slik regulerer du klippehøyden på side 371</i> . |
| | 9 | Batterifeil eller ingen signaler fra batteriet. | Sett batteriet inn i produktet på riktig måte, og undersøk batterikontakten. Hvis feilindikatoren på batteriet blinker, kan du se <i>Feilsøking av batteriladeren på side 374</i> . Hvis problemet vedvarer, kan du kontakte et godkjent serviceverksted. |
| | 8 | Batteriet er svakt. | Lad batteriet. Se <i>Slik lader du batteriet på side 371</i> . |
| | 12 | Feil startprosedyre. Motorbremshåndtaket er aktivert før motoren starter. | Slipp motorbremshåndtaket, og vent i ca. 5 sekunder. Trykk motorbremshåndtaket ned igjen for å starte produktet. |
| Andre feil. | Hvis det oppstår andre feil, må du vri tenningsnøkkelen til 0, ta ut batteriet, og ta kontakt med et godkjent serviceverksted. | | |

Transport, oppbevaring og avhending

Innledning



ADVARSEL: For å forhindre utilsiktet start under transport og lagring, vrir du tenningsnøkkelen til 0, tar ut batteriet og venter i minst 5 sekunder.

Slik setter du produktet i transportstilling

1. Ta ut oppsamleren og kontroller at den er tom.
2. Vri låseknotte på håndtaket mot klokken til ulåst stilling. (Fig. 45)
3. Skyv håndtaket i retning av bakdekselet.
4. Vri låseknotte på håndtaket med klokken til låst stilling.
5. Vri håndtaksknotte til ulåst stilling. (Fig. 46)
6. Fell ned håndtaket til du hører et klikk. (Fig. 47)

Se *Slik setter du produktet i lagringsstilling på side 376* for oppbevaring av produktet.

Transport

- Loven om farlige varer gjelder de medfølgende Li-ion-batteriene.
- For kommersiell transport må spesielle krav på emballasje og etiketter følges.
- Sørg for at du overholder lovene om farlig materiale når du klargjør produktet for transport. Lokale forskrifter kan gjelde.
- Ta alltid ut batteriet før transport.
- Sett teip på batterikontaktene, og forsikre deg om at batteriet ikke kan bevege seg rundt under transport.
- Sikre produktet under transport.

Oppbevaring

- La produktet avkjøles før du setter det til oppbevaring.
- Ta alltid ut batteriet når du skal oppbevare produktet.
- For å hindre ulykker må du sikre at batteriet ikke er koblet til produktet under oppbevaring.
- Oppbevar batteriladeren på et innelukket og tørt sted.
- Oppbevar batteriet og batteriladeren på et tørt sted der det ikke er fukt eller frost.
- Koble batteriet fra batteriladeren under oppbevaring.
- Batteriet må ikke oppbevares der det kan forekomme statisk elektrisitet. Ikke oppbevar batteriet i en metallkasse.
- Oppbevar produktet på et sted der omgivelsestemperaturen er mellom -20°C og $+50^{\circ}\text{C}$.

- Oppbevar batteriet et sted omgivelsestemperaturen er mellom -20°C og $+50^{\circ}\text{C}$ og borte fra sollys.
- Oppbevar batteriladeren på et tørt, innelukket og frostfritt sted.
- Kontroller at batteriet er rengjort og oppladet før du setter det til oppbevaring i lengre perioder.
- Oppbevar produktet, batteriet og batteriladeren i et låsbart område, utilgjengelige for barn og uautoriserte personer.
- Rengjør produktet, og kontroller at gressoppsamleren er tom.
- Utfør vedlikeholdsprosedyrene som er beskrevet i denne bruksanvisningen. Se *Vedlikehold på side 372*.
- Utfør en fullstendig service før du setter produktet til oppbevaring i lang tid.

Slik setter du produktet i lagringsstilling



ADVARSEL: For å forhindre utilsiktet start under transport og lagring, vrir du tenningsnøkkelen til 0, tar ut batteriet og venter i minst 5 sekunder.

1. Fjern batteriet.
2. Sett produktet i transportstilling. Se *Slik setter du produktet i transportstilling på side 376*.
3. Flytt produktet til oppbevaringsstedet.

Slik oppbevarer du produktet horisontalt på bakken

1. Sett produktet i lagringsstilling. Se *Slik setter du produktet i lagringsstilling på side 376*.
2. Fest oppsamleren. Se *Slik fester du oppsamleren på side 377*.
3. Oppbevar produktet horisontalt på bakken. (Fig. 48)

Slik oppbevarer du produktet vertikalt på bakken

1. Sett produktet i lagringsstilling. Se *Slik setter du produktet i lagringsstilling på side 376*.
2. Løft produktet ved hjelp av løftepunktene på håndtaket, og plasser produktet vertikalt på et jevnt underlag. (Fig. 49)



ADVARSEL: Ikke løft produktet ved hjelp av klippedekselet. Skjærebledet er svært skarpt, og det er lett å skjære seg.

3. Fest oppsamleren. Se *Slik fester du oppsamleren på side 377*.
4. Kontroller at produktet er stabilt, og at de to støttebeina berører gulvet.

5. Oppbevar produktet vertikalt på bakken. (Fig. 50)

Slik oppbevarer du produktet vertikalt på den medfølgende kroken



ADVARSEL: Heng produktet på veggen kun med den medfølgende kroken.

1. Monter den medfølgende kroken. Se *Slik monterer du kroken på veggen på side 370*.
2. Sett produktet i lagringsstilling. Se *Slik setter du produktet i lagringsstilling på side 376*.
3. Løft produktet ved hjelp av løftepunktene på håndtaket. (Fig. 49)



ADVARSEL: Ikke løft produktet ved hjelp av klippedekselet. Skjærebladet er svært skarpt, og det er lett å skjære seg.

4. Heng produktet vertikalt på den medfølgende kroken. Se *Slik monterer du kroken på veggen på side 370*. (Fig. 51)
5. Kontroller at produktet henger riktig og står stabilt på de to stengene på kroken.
6. Fest oppsamleren. Se *Slik fester du oppsamleren på side 377*.

Slik fester du oppsamleren

1. Fest oppsamleren i sporet foran på produktet. (Fig. 52)

2. Skyv den nedre delen av oppsamleren mot løftepunktet til du hører et klikk. (Fig. 53)

Kassering

Symbolene på produktet eller produktemballasjen indikerer at produktet ikke skal håndteres som husholdningsavfall. Produktet skal innleveres til et gjenvinningsanlegg som gjenvinner elektrisk og elektronisk utstyr.

Ved å sikre at produktet håndteres på riktig måte, kan du bidra til å motvirke potensielt negative virkninger på miljø og mennesker, som kan oppstå som følge av at produktet ikke avfallshåndteres på riktig måte. Kontakt det lokale renovasjonsvesenet eller forhandleren der du kjøpte produktet hvis du ønsker mer detaljert informasjon.

(Fig. 54)

Bare for EU-land: I henhold til direktiv 2006/66/EF må defekte eller brukte batteripakker/batterier samles inn separat og kastes på en miljømessig korrekt måte.

Bare for Storbritannia: I henhold til Waste Batteries and Accumulators Regulations 2009 (SI 2009/890) (med endringer) må batteripakker/batterier som ikke lenger er brukbare, samles inn separat og kastes på en miljøvennlig måte.

Tekniske data

Tekniske data

| | Aspire LC34-P4A |
|---|-------------------|
| Klippemotor | |
| Motorstype | Børsteløs 18 V |
| Motorhastighet – nominell, turtall | 3000 |
| Motorhastighet – høybelastning, turtall | 3500 |
| Motoreffekt – maks. kW | 0,7 |
| Motoreffekt – nominell, kW | 0,5 |
| Drivmotor | |
| Motoreffekt – nominell, kW | Ikke tilgjengelig |
| Selvgående hastighet, km/t | Ikke tilgjengelig |
| Nivåer for hastighetsjustering | Ikke tilgjengelig |
| Vekt | |
| Vekt uten pose (uten batteri), kg | 11,5 |

| | |
|---|------------------------|
| | Aspire LC34-P4A |
| Vekt med pose (inkl. 1 stk. P4A 18-B72), kg | 13,5 |
| Batteri | |
| Batteritype | Litium-ion |
| Batteriets driftstid | |
| Batteriets driftstid, min. ⁶⁵ | 60 |
| Støyutslipp ⁶⁶ | |
| Lydeffektnivå, målt dB (A) | 86 |
| Lydeffektnivå, garantert L _{WA} dB (A) | 87 |
| Lydnivåer ⁶⁷ | |
| Lydtrykknivå ved brukerens øre, dB (A) | 74 |
| Vibrasjonsnivåer ⁶⁸ | |
| Håndtak, m/s ² | 0,5 |
| Klippeutstyr | |
| Klippehøyde, mm | 30–65 |
| Klippebredde, cm | 34 |
| Kniv, standard | Combi 5375561-10 |
| Skjærebladtilbehør | Ikke tilgjengelig |
| Oppsamlerkapasitet, liter | 30 |

Godkjente batterier

Dette produktet kan brukes med alle **POWER FOR ALL**-batterier. For best mulig ytelse anbefales det å bruke batterier med minimum 4,0 Ah.

| Batteri | P4A 18-B45 | P4A 18-B72 |
|---------------------------|------------|------------|
| Type | Litium-ion | Litium-ion |
| Batterikapasitet, Ah | 2,5 | 4,0 |
| Nominell spenning, V | 18 | 18 |
| Vekt, kg | 0,35 | 0,65 |
| Antall celler (litiumion) | 5 | 10 |

⁶⁵ (frikjøring) med standardmodus aktivert, med ett Husqvarna 4.0 Ah-batteri (P4A 18-B72).

⁶⁶ Utslipp av støy til omgivelsene målt som lydeffekt (L_{WA}) samsvarer med EF-direktiv 2000/14/EF.

⁶⁷ Rapporterte data for lydtrykknivå har en usikkerhetsfaktor (K) på 1,5 dB (A).

⁶⁸ Rapporterte data for vibrasjonsnivåer har en usikkerhetsfaktor (K) på 1,5 m/s². Det oppgitte totale vibrasjonsnivået er målt i samsvar med EN 62841-4-3, Vedlegg I, og kan brukes til å sammenligne en maskin med en annen og i en innledende vurdering av eksponering.

Godkjente batteriladere

| Batterilader | P4A 18-C70 |
|---------------------|-------------------|
| Inngangsspenning, V | 220–240 |
| Frekvens, Hz | 50–60 |
| Effekt, W | 70 |

Samsvarserklæring

EU-samsvarserklæring

Vi, **Husqvarna AB**, SE-561 82 Huskvarna, Sverige, tlf.:
+46 36 146500, erklærer på eget ansvar at produktet:

| | |
|--------------------|----------------------------------|
| Beskrivelse | Gressklipper |
| Merke | Husqvarna |
| Type/modell | Aspire LC34-P4A |
| ID | Serienumre datert 2022 og senere |

fullstendig overholder følgende EU-direktiver og
-forskrifter:

| Regulering | Beskrivelse |
|-------------------|---|
| 2006/42/EC | «angående maskiner» |
| 2014/30/EU | «om elektromagnetisk kompatibilitet» |
| 2000/14/EC | «angående utslipp av støy til omgivelsene» |
| 2011/65/EU | «om begrensning av bruk av visse farlige stoffer i elektrisk og elektronisk utstyr» |

og at følgende standarder eller tekniske spesifikasjoner
er anvendt: EN 62841-1:2015/AC:2015, EN IEC
62841-4-3:2021/A11:2021, EN ISO 12100:2010,
EN 55014-1:2021, EN 55014-2:2021, EN IEC
61000-6-2:2019, EN IEC 61000-6-3:2021, EN IEC
63000:2018

Kontrollorgan: 0404, RISE SMP Svensk Maskinprovning
AB, Box 4053, SE-904 03 Umeå, Sweden Har bekreftet
samsvar med rådsdirektivet 2000/14/EF, prosedyre for
overensstemmelsesvurdering: Vedlegg VI.

For informasjon som gjelder støyutslipp, kan du se
Tekniske data på side 377.

Huskvarna, 2022-10-24



Claes Losdal, Utviklingssjef/hageproduktansvarlig,
Husqvarna AB

Ansvarlig for teknisk dokumentasjon



Copyright © 2012–2020 STMicroelectronics

Garantien dekker ikke feil som er resultatet av normal slitasje, uaktsomhet, defekt bruk, uautorisert reparasjon eller av at sugeapparat kobles til feil spenning.

Med enerett.

Redistribusjon og bruk i kilde- og binærform, med eller uten endring, er tillatt forutsatt at følgende vilkår er oppfylt:

- Redistribusjon av kildekode må inneholde opphavsrettmerkningen ovenfor, denne listen med vilkår og ansvarsfraskrivelsen nedenfor.
- Redistribusjon i binær form må reprodusere opphavsrettmerkningen ovenfor, denne listen med vilkår og ansvarsfraskrivelsen nedenfor i dokumentasjonen eller annet materiale som følger med i distribusjonen.
- Verken navnet på STMicroelectronics eller navnene på bidragsyterne kan brukes til å bifalle eller promotere produkter som er avledet av denne programvaren, uten en uttrykkelig forhåndsinntent skriftlig tillatelse.

Denne programvaren leveres av opphavsretthaverne og bidragsyterne uten noen form for garanti. Alle uttrykte eller underforståtte garantier, herunder underforståtte garantier om salgbarhet og egnethet for et bestemt formål, fraskrives. Ikke under noen omstendigheter skal eieren av opphavsretten eller bidragsyterne holdes ansvarlige for eventuelle direkte, indirekte, tilfeldige, spesielle, straffemessige skader eller følgeskader (herunder anskaffelse av erstatningsvarer eller -tjenester, tap av bruk, data eller fortjeneste eller avbrudd i forretningsdriften) uansett årsak og erstatningsjuss, uansett om det gjelder kontrakt, ansvar eller skadevoldende handling (inkludert uaktsomhet eller på annen måte) som oppstår på noen måte som følge av bruk av denne programvaren, selv om det er opplyst om muligheten for slik skade.

Apache 2.0-lisens

Copyright © 2009-2019 Arm Limited. Med enerett.

Versjon 2.0, januar 2004 <http://www.apache.org/licenses/>

Vilkår for bruk, reproduksjon og distribusjon

1. Definisjoner.

Lisens betyr vilkårene for bruk, reproduksjon og distribusjon som definert i delene 1 til 9 i dette dokumentet. **Lisensgiver** betyr eieren av opphavsretten eller enheten som er autorisert av eieren av opphavsretten, som gir lisensen. **Juridisk enhet** betyr samlingen av den fungerende enheten og alle andre enheter som kontrollerer, kontrolleres av eller er under felles kontroll med denne enheten. I sammenheng med denne definisjonen betyr **kontroll** (i) makten, direkte eller

indirekte, til å bestemme retningen eller ledelsen av en slik enhet, enten gjennom kontrakt eller på annen måte eller (ii) eierskap på femti prosent (50 %) eller mer av utestående aksjer eller (iii) begunstiget av en slik enhet.

Du (med alle bøyingsformer) betyr en enkeltperson eller juridisk enhet som benytter tillatelsene som er gitt i denne lisensen. **Kilde**-form betyr den foretrukne måten å gjøre endringer på, herunder programvarekildekode, dokumentasjonskilde og konfigurasjonsfiler. **Objekt**-form betyr enhver utforming som er et resultat av mekanisk transformasjon eller oversettelse av en kildeform, herunder kompilert objektkode, generert dokumentasjon og konverteringer til andre medietyper. **Verk** betyr åndsverket, uansett om det er i kilde- eller objektform, som er gjort tilgjengelig gjennom lisensen, som angitt av en merknad om opphavsrett som er inngår i eller er knyttet til verket (et eksempel er gitt i vedlegget nedenfor). **Avledede verk** betyr alle verk, enten det er i kilde- eller objektform, som er basert på (eller avledet av) verket. Redaksjonelle revisjoner, kommentarer, utdypninger eller andre modifikasjoner av verket utgjør i sin helhet et originalt åndsverk. Med hensyn til denne lisensen skal ikke avledede verk omfatte verk som er adskillbare fra, eller som kun kobles (eller knyttes gjennom navn) til verket og avledede verk av det.

Bidrag betyr ethvert åndsverk, inkludert den opprinnelige versjonen av verket og eventuelle endringer eller tillegg til verket eller avledede verk av det, som med hensikt sendes til lisensgiver for inkludering i verket av eieren av opphavsretten eller av en enkeltperson eller juridisk enhet som er autorisert til sending på vegne av eieren av opphavsretten. I denne definisjonen betyr **sendes** enhver form for elektronisk, muntlig eller skriftlig kommunikasjon som sendes til lisensgiveren eller dennes representanter, herunder kommunikasjon på elektroniske postlister, kildekodekontrollsystemer og systemer for problemsporing som administreres av eller på vegne av lisensgiveren med formål om å drøfte og forbedre verket, men unntatt kommunikasjon som tydelig merkes eller på annen måte er angitt skriftlig av eieren av opphavsretten som **«ikke et bidrag»**.

Bidragsyter betyr lisensgiver og alle enkeltpersoner eller juridiske enheter som mottar et bidrag av lisensgiver og som deretter innlemmes i verket.

2. Tildeling av opphavsrettslisens.

I henhold til vilkårene i denne lisensen gir hver bidragsyter deg herved en varig, verdensomspennende, ikke-eksklusiv, kostnadsfri, royalty-fri, ujenkallelig opphavsrettslisens til å reprodusere, lage avledede verk av, vise offentlig, fremføre offentlig, viderelisensiere og distribuere verket og slike avledede verk i kilde- eller objektform.

3. Tildeling av patentlisens.

I henhold til vilkårene i denne lisensen gir hver bidragsyter deg herved en varig, verdensomspennende,

ikke-eksklusiv, kostnadsfri, royaltynfri, ugjenkallelig (med de unntak som er angitt i denne delen) patentlisens å lage, ha laget, bruke, tilby salg av, selge, importere og på annen måte overdra verket, der en slik lisens kun gjelder for de patentkrav som er lisensierbare fra en slik bidragsyter, og som nødvendigvis krenkes kun gjennom deres bidrag eller gjennom en kombinasjon av deres bidrag med verket som et slikt bidrag ble sendt til. Hvis du iverksetter patentrettsvister mot en enhet (inkludert krysskrav eller motkrav i et søksmål) som påstår at verket eller et bidrag som er innarbeidet i verket, utgjør direkte eller medvirkende brudd på patentrettigheter, skal alle patentlisenser du har fått i henhold til denne lisensen for det aktuelle verket, dermed opphøre fra og med datoen da et slikt søksmål fremmes.

4. Redistribusjon.

Du kan reproducere og distribuere kopier av verket eller avledede verk av det i alle medier, med eller uten endringer, og i kilde- eller objektfrem, forutsatt at du oppfyller følgende betingelser:

- Du må gi andre mottakere av verket eller avledede verk en kopi av denne lisensen og
- du må sørge for at eventuelle endrede filer har tydelige merknader som slår fast at du har endret filene, og du må beholde, i kildeform i avledede verk som du distribuerer, alle merknader om opphavsrett, patent, varemerke og tilskrivelse fra verkets kildeform, med unntak av de merknadene som ikke gjelder noen del av det avledede verket, og
- hvis verket inneholder en «**MERKNAD**»-tekstfil som en del av distribusjonen, må eventuelle avledede verk du distribuerer, inkludere en lesbar kopi av tilskrivningsmerknadene i denne MERKNAD-filen, med unntak av de merknadene som ikke gjelder for noen del av det avledede verket, på minst ett av følgende steder: I en MERKNAD-tekstfil som distribueres som en del av avledede verk, i kildeform eller -dokumentasjon, hvis det leveres sammen med det avledede verket eller i en visning generert av det avledede verket, hvis og hvor slike tredjepartsmerknader vanligvis vises. Innholdet i MERKNAD-filen er kun til informasjon og endrer ikke lisensen. Du kan legge til dine egne tilskrivningsmerknader i avledede verk som du distribuerer, sammen med eller som et tillegg til MERKNAD-teksten fra verket, forutsatt at slike tilskrivningsmerknader ikke kan tolkes som endring av lisensen. Du kan legge til din egen erklæring om opphavsrett i endringene dine og du kan gi ytterligere eller ulike lisensvilkår for bruk, reproduksjon eller distribusjon av endringene dine, eller for ethvert slikt avledet verk som helhet, forutsatt at din bruk, reproduksjon og distribusjon av verket ellers er i samsvar med vilkårene i denne lisensen.

5. Innsending av bidrag.

Med mindre du uttrykkelig oppgir noe annet, skal ethvert bidrag som med hensikt er sendt inn for å inkluderes i verket av deg til lisensgiveren, være i henhold til vilkårene i denne lisensen, uten ytterligere vilkår. Til tross for det ovenstående skal ingenting i dette dokumentet avløse eller endre vilkårene i en separat lisensavtale du måtte ha inngått med lisensgiver angående slike bidrag.

6. Varemerker.

Denne lisensen gir ikke tillatelse til å bruke handelsnavnene, varemerkene, servicemerkene eller produktnavnene til lisensgiveren, med mindre det er nødvendig for rimelig og vanlig bruk for å beskrive opprinnelsen til verket og reproducere innholdet i MERKNAD-filen.

7. Ansvarsfraskrivelse for garanti.

Med mindre det kreves av gjeldende lov eller er skriftlig avtalt, stiller lisensgiver verket (og enhver bidragsyter gir sitt bidrag) til rådighet uten noen form for garanti, verken uttrykt eller innforstått, herunder eventuelle garantier eller vilkår om eiendomsrett, ikke-krenkelse, salgbarhet, eller egnethet for et bestemt formål. Du er alene ansvarlig for å fastslå hensiktsmessigheten av å bruke eller redistribuere verket og påtar deg eventuelle risikoer som er knyttet til din utøvelse av tillatelser gitt i denne lisensen. 8. Ansvarsbegrensning. Ikke under noen omstendigheter eller under noen juridisk metode, enten det er forvoldt (inkludert uaktsomhet), i kontrakt eller annet, med mindre gjeldende lov krever det (som forsett og grov uaktsomhet) eller skriftlig avtalt, skal noen bidragsyter være ansvarlig overfor deg for skader, inkludert direkte, indirekte, spesielle, tilfældige eller følgeskader i alle former som oppstår som følge av denne lisensen eller som følge av bruk eller manglende mulighet til å bruke verket (herunder skader for tap av goodwill, arbeidsstans, datamaskinsvikt eller -feil eller alle andre kommersielle skader eller tap), selv om en slik bidragsyter er informert om muligheten for slike skader.

9. Aksept av garanti eller tilleggsansvar.

Når du redistribuerer verket eller avledede verk av det, kan du velge å tilby og kreve et gebyr for aksept av støtte, garanti, erstatning eller andre ansvarsforpliktelser eller rettigheter i samsvar med denne lisensen. Når du aksepterer slike forpliktelser, kan du imidlertid bare handle på egne vegne og på eget ansvar, ikke på vegne av noen annen bidragsyter, og bare hvis du samtykker i å erstatte, forsvare og holde enhver bidragsyter skadesløs for ethvert ansvar du har pådratt deg, eller for krav som fremsettes mot en slik bidragsyter på grunn av din aksept av en slik garanti eller tilleggsansvar. Slutt på vilkårene

Registrerte varemerker

QR-koden er et registrert varemerke for DENSO WAVE
INCORPORATED i Japan.

SPIS TREŚCI

| | | | |
|------------------------------|-----|---|-----|
| Wstęp..... | 384 | Transport, przechowywanie i utylizacja..... | 399 |
| Bezpieczeństwo..... | 385 | Dane techniczne..... | 400 |
| Montaż..... | 392 | Deklaracja zgodności..... | 403 |
| Przeznaczenie..... | 393 | Licencje..... | 404 |
| Przegląd..... | 395 | Zarejestrowane znaki handlowe..... | 406 |
| Rozwiązywanie problemów..... | 397 | | |

Wstęp

Opis produktu

Produkt jest rotacyjną kosiarką obsługiwaną przez operatora. Trawa zbierana jest do pojemnika na trawę. Zdjąć pojemnik na trawę, aby usunąć z niego trawę przez tylny otwór wylotowy. Zamontować wkładkę mulczującą, aby pociąć trawę na nawóz.

Przeznaczenie

Produkt służy fo cięcia trawy. Nie używać produktu do innych zadań.

Przegląd produktu

(Rys. 1)

1. Dźwignia hamulca silnikowego
2. Blokada rozruchu
3. Uchwyt / uchwyt sterowniczy
4. Pokrętko blokujące uchwytu sterowniczego
5. Pokrętła uchwytu
6. Pojemnik na trawę
7. Wkładka mulczująca
8. Pokrywa tylna
9. Dioda LED na urządzeniu
10. Kontrolka ostrzegawcza (dioda LED błędu)
11. Kluczyk bezpieczeństwa
12. Komora akumulatora
13. Pokrywa akumulatora
14. Symbole
15. Dźwignia regulacji wysokości koszenia
16. Akumulator (akcesorium)
17. Ładowarka akumulatora (akcesorium)
18. Czerwona dioda LED
19. Zielona dioda LED
20. Punkty podnoszenia
21. Hak
22. Instrukcja obsługi

Skrócona instrukcja

Aby uzyskać porady dotyczące korzystania z produktu, należy zeskanować kod QR.



Symbole znajdujące się na produkcie

- (Rys. 2) OSTRZEŻENIE
- (Rys. 3) Przeczytać instrukcje.
- (Rys. 4) OSTRZEŻENIE – uważać na odrzucane przedmioty.
- (Rys. 5) Osoby postronne powinny zachować odpowiednią odległość.
- (Rys. 6) OSTRZEŻENIE – nie zbliżać rąk i stóp do noży.
- (Rys. 7) OSTRZEŻENIE – przed przystąpieniem do konserwacji odłączyć akumulator.
- (Rys. 8) Tego produktu ani opakowania nie można traktować jak odpadów domowych. Należy poddawać je recyklingowi w zatwierdzonym punkcie zbiórki sprzętu elektrycznego i elektronicznego.
- (Rys. 9) Etykieta emisji hałasu do środowiska zgodnie z dyrektywami oraz przepisami UE i Wielkiej Brytanii, a także przepisami Nowej Południowej Walii „Protection

of the Environment Operations (Noise Control) Regulation 2017". Gwarantowany poziom mocy akustycznej urządzenia jest określony w *Dane techniczne na stronie 400* oraz na etykiecie.

(Rys. 10) Niniejszy osprzęt jest zgodny z obowiązującymi dyrektywami wspólnoty europejskiej.

(Rys. 11) Ten produkt jest zgodny z przepisami obowiązującymi w Wielkiej Brytanii.

(Rys. 12) Produkt jest zabezpieczony przed przeciekaniem.

(Rys. 13) Zwolnić dźwignię hamulca silnikowego, aby zatrzymać.

(Rys. 14) Pchnąć dźwignię hamulca silnikowego, aby uruchomić napęd noży.

(Rys. 15) Kod do przeskanowania

(Rys. 18) Obrócić, aby zablokować lub odblokować.

Uwaga: Pozostałe symbole/naklejki samoprzylepne umieszczone na produkcie dotyczą wymogów związanych z certyfikatami w niektórych krajach.

Symbole na akumulatorze i/lub na ładowarce.

(Rys. 19)

Należy poddać urządzenie recyklingowi w punkcie zbiórki sprzętu elektrycznego i elektronicznego. (Dotyczy tylko Europy)

(Rys. 20)

Akumulatora należy używać wyłącznie w produktach partnerów systemu POWER FOR ALL.

(Rys. 21)

Chronić akumulator przed wysoką temperaturą, np. przed wystawieniem na ciągłe, intensywne światło słoneczne, ogień, brud, wodę i wilgoć. Istnieje ryzyko wybuchu i zwarcia.

(Rys. 22)

(Rys. 16)

Ładowarkę używać i przechowywać wyłącznie wewnątrz.

(Rys. 17)

Podwójna izolacja.

Etykieta znajdująca się na produkcie

(Rys. 23)

NIEBEZPIECZEŃSTWO – nie zbliżać rąk ani stóp.

Odpowiedzialność za produkt

Zgodnie z przepisami dotyczącymi odpowiedzialności za produkt nie ponosimy odpowiedzialności za szkody spowodowane przez nasz produkt, jeśli:

- produkt jest nieprawidłowo naprawiany.
- produkt jest naprawiany przy użyciu części nie pochodzących od producenta lub niezatwierdzonych przez producenta.
- produkt jest wyposażony w akcesoria nie pochodzące od producenta lub niezatwierdzone przez producenta.
- produkt nie jest naprawiany w autoryzowanym centrum serwisowym lub przez autoryzowaną placówkę.

Bezpieczeństwo

Definicje dotyczące bezpieczeństwa

Ostrzeżenia, uwagi i informacje są używane do zwrócenia uwagi na szczególnie ważne sekcje instrukcji obsługi.



OSTRZEŻENIE: Jest używane, gdy istnieje ryzyko poważnych obrażeń, śmierci operatora lub uszkodzenia otoczenia w wyniku nieprzestrzegania instrukcji obsługi.



UWAGA: Jest używane, gdy istnieje ryzyko uszkodzenia materiałów lub urządzenia w wyniku nieprzestrzegania instrukcji obsługi.

Uwaga: Stosuje się, aby przekazać więcej informacji, które są przydatne w danej sytuacji.

ostrzeżenia dotyczące bezpieczeństwa ogólnego produktu



OSTRZEŻENIE: Zapoznać się ze wszystkimi ostrzeżeniami dotyczącymi bezpieczeństwa, instrukcjami, ilustracjami i specyfikacjami dołączonymi do tego produktu. Niezastosowanie się do wszystkich poniższych instrukcji może spowodować porażenie prądem, pożar i/lub poważne obrażenia.

Zachować wszystkie ostrzeżenia i instrukcje do korzystania z nich w przyszłości. Termin „produkt” w ostrzeżeniach dotyczy Twojego produktu zasilanego prądem z sieci elektrycznej (z przewodem) lub produktu zasilanego prądem z akumulatora (bezprowadowego).

Bezpieczeństwo miejsca pracy

- **Miejsce pracy powinno być czyste i dobrze oświetlone.** Obszary zacienione i takie, w których panuje nieład, mogą powodować wypadki.
- **Nie należy używać produktu w atmosferze wybuchowej, takiej jak w przypadku obecności łatwopalnych cieczy, gazów lub pyłów.** Produkt tworzy iskry, które mogą zapalić pył lub opary.
- **Podczas pracy z użyciem produktu należy uważać, aby dzieci i osoby postronne nie zbliżyły się do miejsca pracy.** W wyniku utraty uwagi możesz stracić kontrolę nad urządzeniem.

Bezpieczeństwo elektryczne

- **Wtyczki produktu muszą pasować do gniazdka.** Zabrania się dokonywania przeróbek wtyczki. **Nie wolno stosować adapterów wtyczek produktów z uziemieniem.** Nieprzerobione wtyczki i dopasowane gniazdka pozwalają zredukować ryzyko porażenia prądem.
- **Należy unikać kontaktu ciała z powierzchniami uziemionymi, takimi jak rury, grzejniki, kuchenki i lodówki.** Uziemienie ciała powoduje zwiększenie ryzyka porażenia prądem.
- **Nie wystawiać produktu na działanie deszczu ani wilgoci.** Przedostanie się wody do produktu zwiększa ryzyko porażenia prądem.
- **Nie niszczyć przewodu.** Nie wolno używać przewodu do przenoszenia, ciągnięcia lub odłączania produktu. **Przewód należy utrzymywać z dala od źródeł ciepła, olejów, ostrych krawędzi lub ruchomych części.** Uszkodzone lub splątane kable zwiększają zagrożenie porażenia prądem.
- **Używając produktu na zewnątrz budynków, należy stosować przedłużacz przystosowany do użytku zewnętrznego.** Stosowanie przewodu przeznaczanego do użytku na zewnątrz budynków pozwala ograniczyć ryzyko porażenia prądem.
- **Jeśli produkt musi być używany w warunkach dużej wilgotności, stosować zasilanie chronione wyłącznikiem różnicowo-prądowym (RCD).**

Korzystanie z wyłącznika różnicowo-prądowego zmniejsza ryzyko porażenia prądem.

Bezpieczeństwo osób

- **Podczas używania produktu należy zachować skupienie, obserwować wykonywane czynności i kierować się zdrowym rozsądkiem.** Produktu nie wolno używać w przypadku zmęczenia ani pod wpływem narkotyków, alkoholu lub leków. Chwila nieuwagi podczas obsługi produktu może doprowadzić do poważnych obrażeń.
- **Stosować środki ochrony osobistej. Należy zawsze stosować środki ochrony wzroku.** Sprzęt ochronny, taki jak maski, antypoślizgowe buty robocze, kask lub środki ochrony słuchu stosowane w odpowiednich warunkach pozwalają obniżyć ryzyko odniesienia obrażeń.
- **Należy zapobiec niezamierzonemu rozruchowi.** **Przed podłączeniem do źródła zasilania i/lub akumulatora, podniesieniem lub przenoszeniem produktu należy upewnić się, że przełącznik znajduje się w położeniu wyłączenia.** Przenoszenie produktu z palcem na przełączniku lub włączenie zasilania produktu, który ma przełącznik w pozycji włączonej, sprzyja wypadkom.
- **Przed włączeniem produktu należy usunąć wszelkie klucze i inne narzędzia.** Klucze lub inne narzędzia, pozostawione przy obracającej się części produktu, mogą spowodować obrażenia ciała.
- **Nie należy przeceniać swoich możliwości. Stać na stabilnym podłożu i zachować równowagę.** Pozwoli to zachować lepszą kontrolę nad produktem w nieoczekiwanych sytuacjach.
- **Należy odpowiednio się ubierać. Nie należy zakładać luźnych ubrań i nosić biżuterii.** **Włosy oraz ubranie należy trzymać z dala od elementów ruchomych.** Luźna odzież, biżuteria lub długie włosy mogą zostać wciągnięte przez ruchome części.
- **Jeśli dołączone jest wyposażenie służące do podłączenia urządzeń odprowadzających i gromadzących pył, należy zadbać o jego podłączenie i właściwe używanie.** Stosowanie urządzeń odprowadzających pył może ograniczyć zagrożenia związane z obecnością pyłu.
- **Częste używanie produktu nie zwalnia operatora z obowiązku zachowania czujności i przestrzegania zasad bezpieczeństwa dotyczących używania produktu.** Nierozważne działanie może doprowadzić do poważnych obrażeń w ułamku sekundy.

Eksplatacja i konserwacja produktu

- **Nie wymuszać większych osiągnięć produktu.** **Używać produktu dopasowanego do zastosowania.** Właściwy produkt pozwoli lepiej i bezpieczniej wykonać pracę z przewidzianą prędkością.
- **Nie wolno używać produktu, jeśli nie można go włączyć lub wyłączyć przy użyciu przełącznika.** Jeśli produkt nie może być kontrolowany za pomocą przełącznika, jest on niebezpieczny i musi zostać oddany do naprawy.

- **Przed dokonaniem jakichkolwiek regulacji, zmianą akcesoriów lub pozostawieniem produktu na czas przechowywania należy odłączyć wtyczkę od źródła zasilania i/lub, jeśli jest to możliwe, wymontować akumulator.** Takie działanie zapobiegawcze redukuje ryzyko przypadkowego uruchomienia produktu.
- **Nieużywany produkt należy przechowywać w miejscu niedostępnym dla dzieci. Nie wolno pozwalać, aby produkt obsługiwały osoby nie zaznajomione z produktem lub niniejszymi instrukcjami.** W rękach nieprzeszkolonych użytkowników produkty mogą być niebezpieczne.
- **Konserwować produkty i akcesoria. Produkt należy sprawdzać pod kątem niedopasowania ruchomych części, uszkodzenia elementów i innych nieprawidłowości, które mogą mieć wpływ na jego działanie. W przypadku uszkodzenia naprawić produkty przed jego ponownym użyciem.** Powodem wielu wypadków jest niewłaściwa konserwacja produktów.
- **Narzędzia tnące należy utrzymywać w stanie naostrzonym i czystym.** Właściwie konserwowane narzędzia tnące, z ostrymi krawędziami tnącymi dają mniejsze prawdopodobieństwo zacinania i łatwiej je kontrolować.
- **Produkty, oprzyrządowanie i końcówki itp. muszą być używane zgodnie z niniejszymi instrukcjami, biorąc pod uwagę warunki robocze oraz wykonywane zadanie.** Używanie produktu do zadań innych niż te, do których jest przeznaczony, może być niebezpieczne.
- **Utrzymywać uchwyty i powierzchnie do chwytania w stanie suchym, czystym oraz wolnym od smaru i oleju.** Śliskie uchwyty i powierzchnie do chwytania uniemożliwiają bezpieczną obsługę i kontrolę produktu w nieoczekiwanych sytuacjach.

Użytkowanie i konserwacja narzędzia elektrycznego zasilanego akumulatorem

- **Ładować jedynie za pomocą ładowarki wskazanej przez producenta.** Ładowarka przeznaczona do jednego rodzaju akumulatora może grozić pożarem w przypadku wykorzystania jej do ładowania innego rodzaju akumulatora.
- **Urządzeń należy używać wyłącznie w połączeniu z określonym rodzajem akumulatorów.** Użycie akumulatorów innego rodzaju może stworzyć zagrożenie obrażeniami ciała i pożarem.
- **Kiedy akumulator nie jest używany, należy przechowywać go z dala od innych metalowych przedmiotów, takich jak spinacze do papieru, monety, klucze, gwoździe i śruby oraz innych niewielkich metalowych przedmiotów, które mogłyby połączyć dwa zaciski akumulatora.** Spięcie zacisków akumulatora może spowodować oparzenia lub pożar.
- **W niewłaściwych warunkach z akumulatora może wypłynąć płyn. Należy unikać kontaktu z tym płynem. Jeżeli dojdzie do kontaktu, przemyć wodą. Jeśli dojdzie do kontaktu płynu z oczami, należy dodatkowo skorzystać z pomocy medycznej.** Płyn wydostający się z akumulatora może wywołać podrażnienia lub oparzenia.
- **Nie używać akumulatora ani narzędzia, jeśli są one uszkodzone lub zostały zmodyfikowane.** Uszkodzone lub zmodyfikowane akumulatory mogą charakteryzować się nieprzewidywalnymi właściwościami skutkującymi pożarem, eksplozją lub ryzykiem doznania obrażeń przez użytkownika.
- **Nie wystawiać akumulatora ani narzędzia na działanie ognia bądź nadmiernej temperatury.** Narażenie na pożar lub temperaturę przekraczającą 130°C (265°F) może spowodować wybuch.
- **Postępować zgodnie ze wszystkimi instrukcjami dotyczącymi ładowania i nie ładować akumulatora ani narzędzia w temperaturach wykraczających poza zakres określony w instrukcji.** Nieprawidłowe ładowanie lub ładowanie w temperaturach wykraczających poza dopuszczalny zakres może uszkodzić akumulator i zwiększyć ryzyko pożaru.

Serwis

- **Produkt może serwisować wyłącznie wykwalifikowany personel serwisowy przy użyciu identycznych części zamiennych.** Zapewni to bezpieczeństwo użytkownika produktu.
- **Pod żadnym pozorem nie należy serwisować uszkodzonych akumulatorów.** Akumulatory może serwisować wyłącznie producent lub autoryzowany serwis.

Ostrzeżenia dotyczące bezpieczeństwa użytkowania kosiarki

- **Nie używać kosiarki w złych warunkach pogodowych, szczególnie jeśli istnieje ryzyko wystąpienia burzy.** Zmniejsza to ryzyko porażenia piorunem.
- **Dokładnie sprawdzić obszar, w którym ma być używana kosiarka, pod kątem występowania dzikich zwierząt.** Pracująca kosiarka jest niebezpieczna dla dzikich zwierząt.
- **Należy dokładnie sprawdzić miejsce, w którym będzie używana kosiarka, i usunąć wszelkie kamienie, patyki, druty, kości i inne przedmioty.** Wyrzucane przedmioty mogą spowodować obrażenia.
- **Przed użyciem kosiarki należy zawsze wzrokowo sprawdzić, czy noże, śruba noży i zespół noży nie są zużyte ani uszkodzone.** Zużyte lub uszkodzone części zwiększają ryzyko odniesienia obrażeń.
- **Regulaminie sprawdzaj pojemnik na trawę pod kątem zużycia.** Zużyty lub uszkodzony pojemnik na trawę może zwiększyć ryzyko odniesienia obrażeń.
- **Oslony muszą być założone. Oslony muszą być sprawne i prawidłowo zamontowane.** Poluzowana, uszkodzona lub nieprawidłowo działająca osłona może spowodować obrażenia.
- **Utrzymywać wszelkie wloty powietrza w czystości.** Zablokowane wloty powietrza

i zanieczyszczenia mogą spowodować przegrzanie lub wywołać pożar.

- **Podczas obsługi kosiarki należy zawsze nosić obuwie przeciwpoślizgowe i ochronne. Nie obsługiwać kosiarki bosą lub w sandałach.** Zmniejsza to ryzyko obrażeń stóp w wyniku kontaktu z ruchomymi nożami.
- **Podczas używania kosiarki należy zawsze nosić długie spodnie.** Odstonięta skóra jest bardziej narażona na obrażenia powodowane przez wyrzucane przedmioty.
- **Nie używać kosiarki do koszenia mokrej trawy. Należy iść, nie biec.** Zmniejsza to ryzyko poślizgnięcia się i upadku, a tym samym odniesienia obrażeń.
- **Nie wolno używać kosiarki na zbyt stromych zboczach.** Zmniejsza to ryzyko utraty kontroli, poślizgnięcia się i upadku, a tym samym odniesienia obrażeń.
- **Podczas pracy na pochyłościach należy zawsze stać na stabilnym podłożu i pracować w poprzek zbocza, a nie w górę lub w dół, a także zachować szczególną ostrożność przy zmianie kierunku jazdy.** Zmniejsza to ryzyko utraty kontroli, poślizgnięcia się i upadku, a tym samym odniesienia obrażeń.
- **Należy zachować szczególną ostrożność przy wycyfrowaniu lub przyciąganiu kosiarki do siebie. Należy zawsze uważać na otoczenie.** Zmniejsza to ryzyko potknięcia się podczas pracy.
- **Nie wolno dotykać noży ani innych niebezpiecznych ruchomych części, gdy są w ruchu.** Zmniejsza to ryzyko odniesienia obrażeń przez ruchome części.
- **Na czas usuwania zakleszczonego materiału i serwisowania kosiarki należy upewnić się, że wszystkie przełączniki znajdują się w pozycji wyłączenia, a przewód zasilający jest odłączony.** Nieoczekiwane uruchomienie kosiarki może spowodować poważne obrażenia ciała.

Wyłącznik różnicowo-prądowy

- Stosować wyłącznik różnicowo-prądowy o prądzie wyzwalającym nie większym niż 30 mA.

Ogólne zasady bezpieczeństwa



OSTRZEŻENIE: Przed rozpoczęciem użytkowania produktu przeczytać następujące ostrzeżenia.

- Produkt ten może być niebezpieczny w przypadku jego nieprawidłowego użytkowania i niezachowania ostrożności. Nieprzestrzeganie instrukcji bezpieczeństwa może spowodować obrażenia ciała lub śmierć.
- Niniejszy produkt podczas pracy wytwarza pole elektromagnetyczne. W pewnych okolicznościach pole to może zakłócać pracę aktywnych lub pasywnych implantów medycznych. Przed użyciem tego produktu osoby z wszczepionym implantem medycznym powinny skonsultować się z lekarzem

i producentem implantu w celu ograniczenia ryzyka poważnych lub śmiertelnych obrażeń.

- Zawsze zachowywać ostrożność i kierować się zdrowym rozsądkiem. Jeśli nie ma pewności, w jaki sposób należy obsługiwać ten produkt w konkretnej sytuacji, przed wznowieniem pracy należy porozmawiać z dealerem Husqvarna.
- Pamiętaj o tym, że operator ponosi odpowiedzialność za wypadki z udziałem innych ludzi i ich własności.
- Utrzymywać produkt czystym. Upewnić się, że można łatwo odczytać oznaczenia i naklejki.
- Nie wolno pozwalać dzieciom ani osobom, które nie zapoznały się z niniejszymi instrukcjami obsługi, na obsługiwanie urządzenia. Przepisy lokalne mogą narzucać ograniczenia dotyczące wieku operatora urządzenia.
- Należy zawsze kontrolować osobę o ograniczonych możliwościach fizycznych lub umysłowych podczas używania produktu. Zawsze musi jej towarzyszyć odpowiedzialna osoba dorosła.
- Osoba, która jest zmęczona, chora lub pod wpływem alkoholu, narkotyków lub leków nie może obsługiwać urządzenia. Stany te mają negatywny wpływ na wzrok, uwagę, koordynację i osąd.
- Nie stosować uszkodzonego produktu.
- Nie wolno dokonywać w maszynie zmian stanowiących modyfikację jej oryginalnej wersji. Nie używać maszyny, jeżeli istnieje podejrzenie, że ktoś inny wprowadził w niej zmiany.

Pracuj bezpiecznie



OSTRZEŻENIE: Przed rozpoczęciem użytkowania produktu przeczytać następujące ostrzeżenia.

- Używać maszyny wyłącznie do przycinania trawników. Nie jest dozwolone wykorzystanie maszyny do innych zadań.
- Stosować środki ochrony osobistej. Patrz *Środki ochrony osobistej na stronie 389*.
- Należy zawsze wiedzieć, jak szybko wyłączyć silnik w razie awarii.
- Nie używać urządzenia podczas deszczu ani w wilgotnym otoczeniu. Dostanie się wody do wnętrza urządzenia zwiększa ryzyko porażenia prądem.
- Nie należy obsługiwać maszyny, jeśli ostrze oraz wszystkie pokrywy nie zostały prawidłowo zamocowane. Nieprawidłowo zamocowane ostrze może się obluźwiać i spowodować obrażenia.
- Należy upewnić się, że ostrze nie uderza w żadne obiekty, takie jak kamienie czy korzenie. Może to spowodować uszkodzenie ostrza oraz wygięcie wału silnika. Zgięta oś powoduje silne wibracje oraz bardzo wysokie zagrożenie obluźwianiem ostrza.
- Jeśli ostrze uderzy w jakikolwiek obiekt lub jeśli wystąpią wibracje, należy natychmiast

wyłączyć maszynę. Wyłącz silnik, przekręć klucz bezpieczeństwa do położenia „0” i wyjmij akumulator. Poczekać, aż ruchome części zatrzymają się. Należy sprawdzić maszynę pod kątem uszkodzeń. Dokręcić luźne części. Naprawić uszkodzenia i wymienić uszkodzone części. Wykonanie przeglądu należy zlecić autoryzowanemu warsztatowi obsługi technicznej.

- Nigdy nie należy na stałe przymocowywać uchwyty hamulca silnikowego do uchwyty podczas pracy silnika.
- Maszynę należy ustawić na stabilnej, płaskiej powierzchni i ją uruchomić. Należy upewnić się, że ostrza nie uderzają w podłoże lub inne przedmioty.
- Podczas obsługi maszyny zawsze należy stać za nią.
- Podczas obsługi maszyny należy upewnić się, że wszystkie koła dotykają podłoża oraz trzymać na kierownicy obie dłonie. Nie zbliżać rąk i stóp do obracających się noży.
- Nie przechylać produktu podczas uruchamiania silnika ani podczas pracy produktu.
- Należy zachować ostrożność podczas ciągnięcia maszyny do tyłu.
- Nigdy nie należy podnosić maszyny przy włączonym silniku. Jeśli konieczne jest podniesienie urządzenia, należy najpierw wyłączyć silnik, przekręcić klucz bezpieczeństwa do położenia „0” i wyjąć akumulator.
- Nie należy poruszać się do tyłu podczas obsługi maszyny.
- Gdy zachodzi konieczność przechylenia produktu na czas transportu lub przed rozpoczęciem jazdy po obszarach bez trawy, np. po ścieżkach wykonanych ze żwiru, kamienia lub asfaltu, zatrzymać silnik.
- Nie należy biegać z maszyną przy włączonym silniku. Podczas obsługi maszyny zawsze należy poruszać się chodem.
- Przed zmianą wysokości koszenia należy wyłączyć silnik. Nie wolno przeprowadzać regulacji, gdy silnik pracuje.
- Nigdy nie należy pozostawiać maszyny poza zasięgiem wzroku przy włączonym silniku. Należy wyłączyć silnik i upewnić się, że narzędzia tnące nie obracają się.
- Drgania produktu podczas pracy mogą różnić się od wartości drgań deklarowanej w *Dane techniczne na stronie 400*. Różnica jest spowodowana różnymi sposobami użytkowania produktu. W przypadku częstszej lub dłuższej eksploatacji produktu należy regularnie robić przerwy, aby zapobiec obrażeniom ciała w wyniku wibracji.

Instrukcje bezpieczeństwa dotyczące obsługi

Środki ochrony osobistej



OSTRZEŻENIE: Przed rozpoczęciem użytkowania produktu przeczytać następujące ostrzeżenia.

- Środki ochrony osobistej nie eliminują ryzyka odniesienia obrażeń, ograniczają natomiast ich rozmiar w razie zaistnienia wypadku. Skorzystaj z pomocy dealera przy wyborze odpowiedniego sprzętu.
- Należy używać mocnego, przeciwpoślizgowego obuwia ochronnego lub obuwia roboczego. Nie należy używać otwartego obuwia lub chodzić boso.
- Stosować wytrzymałe, długie spodnie.
- W razie potrzeby, na przykład podczas mocowania, badania czy czyszczenia narzędzi tnących, stosować rękawice ochronne.
- Zalecamy stosowanie ochronników słuchu.

Zespoły zabezpieczające na produkcie



OSTRZEŻENIE: Przed rozpoczęciem użytkowania produktu przeczytać następujące ostrzeżenia.

- Nie wolno używać produktu z uszkodzonymi urządzeniami zabezpieczającymi.
- Nie wolno wymontowywać ani modyfikować urządzeń zabezpieczających.
- Regularnie przeprowadzać kontrole urządzeń zabezpieczających. Jeśli urządzenia zabezpieczające są uszkodzone, skontaktować się z warszatem obsługi technicznej Husqvarna.

Sprawdzanie osłony modułu tnącego

Osłona modułu tnącego ogranicza drgania urządzenia i obniża ryzyko odniesienia obrażeń od ostrza.

- Zbadać osłonę modułu tnącego, aby upewnić się, że nie nosi ona znamion uszkodzenia, takich jak pęknięcia.

Sprawdzanie kluczyka bezpieczeństwa

Kluczyk bezpieczeństwa znajduje się pod pokrywą akumulatora. Kluczyk bezpieczeństwa służy do podłączenia akumulatora, który zasila silnik.

- Uruchomić i wyłączyć silnik, aby przeprowadzić kontrolę kluczyka bezpieczeństwa.
- Jeżeli kluczyk bezpieczeństwa działa prawidłowo, silnik uruchomi się tylko po przekręceniu kluczyka w położenie 1. (Rys. 24)

Sprawdzanie uchwytu hamulca silnika

Uchwyt hamulca silnika zatrzymuje silnik. Po zwolnieniu uchwytu hamulca silnika następuje wyłączenie silnika.

- Uruchomić produkt. Patrz *Uruchamianie produktu na stronie 394*.
- Zwolnić uchwyt hamulca silnika. (Rys. 25)
- Sprawdzić, czy urządzenie się zatrzymuje. Jeśli silnik nie wyłączy się w czasie 3 sekund, autoryzowany punkt serwisowy Husqvarna powinien wyregulować hamulec silnika.

Sprawdzanie blokady rozruchu

Skontrolować zabezpieczenie przed niepożądanym uruchomieniem urządzenia, aby upewnić się, że zapobiega ono uruchomieniu silnika.

1. Pchnąć dźwignię hamulca silnika w stronę drążka sterującego. Zabezpieczenie przed niepożądanym uruchomieniem urządzenia zatrzymuje ruch.
2. Popchnąć zabezpieczenie przed niepożądanym uruchomieniem na zewnątrz. (Rys. 26)
3. Zwolnić zabezpieczenie przed niepożądanym uruchomieniem urządzenia, aby upewnić się, że powróci do swojego położenia wyjściowego.

Zasady bezpieczeństwa związane z akumulatorem



OSTRZEŻENIE: Zapoznać się ze wszystkimi instrukcjami ogólnymi i dotyczącymi bezpieczeństwa. Niezastosowanie się do instrukcji ogólnych i bezpieczeństwa może spowodować porażenie prądem i/lub poważne obrażenia. **Wszystkie informacje dotyczące bezpieczeństwa i ogólne instrukcje należy zachować w celu późniejszego wykorzystania.**

- Niniejsze instrukcje bezpieczeństwa dotyczą wyłącznie akumulatorów litowo-jonowych 18 V do systemu POWER FOR ALL.
- Akumulatora należy używać wyłącznie w produktach partnerów systemu POWER FOR ALL. Akumulatory 18 V z oznaczeniem POWER FOR ALL są w pełni kompatybilne z następującymi produktami:
 - Wszystkie produkty należące do systemu POWER FOR ALL z akumulatorem 18 V.
 - Wszystkie produkty partnerów systemu POWER FOR ALL wymagające napięcia 18 V.
- Należy przestrzegać zaleceń dotyczących akumulatora zawartych w instrukcji obsługi urządzenia. Jest to niezbędne do bezpiecznej obsługi akumulatora i urządzenia oraz zabezpieczenia akumulatorów przed niebezpiecznym przeciążeniem.
- Akumulatory należy ładować wyłącznie przy użyciu ładowarek zalecanych przez producenta lub partnerów systemu POWER FOR ALL. Ładowarka odpowiednia do jednego rodzaju akumulatorów może wywołać pożar, gdy współpracuje z innym akumulatorem.
- **Akumulator jest dostarczany w stanie częściowo naładowany.** Aby zapewnić pełną pojemność akumulatora, należy go całkowicie naładować za pomocą ładowarki przed użyciem narzędzia elektrycznego po raz pierwszy.
- **Przechowywać akumulatory w miejscu niedostępnym dla dzieci.**
- **Nie należy otwierać akumulatora.** Istnieje ryzyko zwarcia.
- **W przypadku uszkodzenia lub nieprawidłowego użytkowania akumulatora może dojść do emisji niebezpiecznych oparów. Akumulator może się zapalić lub wybuchnąć.** Upewnić się, że w miejscu pracy zapewniona jest dobra wentylacja i w razie wystąpienia jakichkolwiek niepożądanych skutków należy skonsultować się z lekarzem. Opary mogą podrażnić układ oddechowy.
- **Nieprawidłowe użytkowanie lub uszkodzenie akumulatora może spowodować wytrysnięcie z niego łatwopalnej cieczy. Należy unikać kontaktu z tą cieczą. Jeśli dojdzie do przypadkowego kontaktu, należy przemyć wodą. W przypadku przedostania się cieczy do oczu należy niezwłocznie skorzystać z dodatkowej pomocy medycznej.** Płyn wydobywający się z akumulatora może powodować podrażnienia lub poparzenia.
- **Jeśli akumulator jest uszkodzony, może z niego wytrysnąć ciecz, która pokryje pobliskie powierzchnie. Sprawdzić elementy, które zostały narażone.** Oczyszczyć te elementy lub wymienić je w razie potrzeby.
- **Uważać, aby nie doszło do zwarcia akumulatora.** Kiedy akumulator nie jest używany, należy przechowywać go z dala od innych metalowych przedmiotów, takich jak spinacze do papieru, monety, klucze, gwoździe i śruby oraz innych niewielkich metalowych przedmiotów, które mogłyby połączyć dwa zaciski akumulatora. Spięcie zacisków akumulatora może spowodować oparzenia lub pożar.
- **Akumulator może zostać uszkodzony przez ostro zakończony elementy, takie jak gwoździe lub śrubokręty, albo przez wywieraną z zewnątrz siłę.** Może wystąpić zwarcie wewnętrzne, które spowoduje przepalenie, zadymienie, wybuch lub przegrzanie akumulatora.
- **Pod żadnym pozorem nie należy serwisować uszkodzonych akumulatorów.** Serwisowanie akumulatorów powinno być wykonywane wyłącznie przez producenta lub autoryzowany serwis.
- **Chronić akumulator przed wysoką temperaturą, np. przed wystawieniem na ciągłe, intensywne światło słoneczne, ogień, brud, wodę i wilgoć.** Istnieje ryzyko wybuchu i zwarcia.

- Akumulator urządzenia może być używany wyłącznie przy temperaturach otoczenia 0 °C – +40 °C.
- Podczas przechowywania akumulatora temperatura otoczenia musi wynosić -20 °C – +50 °C. Nie wolno zostawiać akumulatora w samochodzie na przykład latem. Przy temperaturach < 0 °C niektóre urządzenia mogą mieć mniejszą moc.
- Akumulator należy ładować przy temperaturach otoczenia od 0°C do +35°C. Akumulator ładowany przez przewód USB należy ładować tylko przy temperaturach otoczenia od +10°C do +35°C. Ładowanie w temperaturze wykraczającej poza ten zakres może zwiększyć ryzyko uszkodzenia akumulatora i grozić pożarem.
- Utrzymywać czystość ładowarki. Brud stwarza ryzyko porażenia prądem.
- Przed użyciem należy zawsze sprawdzić ładowarkę, kabel i wtyczkę. W przypadku wykrycia jakichkolwiek uszkodzeń należy zaprzestać korzystania z ładowarki. Nie wolno samodzielnie otwierać ładowarki i należy zlecać jej naprawę wyłącznie firmie Husqvarna lub autoryzowanemu centrum obsługi posprzedażowej, korzystając tylko z oryginalnych części zamiennych. Uszkodzone ładowarek, kabli i wtyczek zwiększa ryzyko porażenia prądem.
- Ładowarki nie należy używać na powierzchni, która może łatwo ulec zapłonowi (np. na papierze, tkaninach itp.) ani w środowisku łatwopalnym. Istnieje ryzyko pożaru z powodu nagrzewania się ładowarki podczas pracy.

Zasady bezpieczeństwa w czasie obsługi ładowarki



OSTRZEŻENIE: Zapoznać się ze wszystkimi instrukcjami ogólnymi i dotyczącymi bezpieczeństwa. Niezastosowanie się do instrukcji ogólnych i bezpieczeństwa może spowodować porażenie prądem i/lub poważne obrażenia. Przechowywać niniejsze instrukcje w bezpiecznym miejscu. Ładowarki należy używać wyłącznie wtedy, gdy można w pełni ocenić wszystkie funkcje i wykonać je bez żadnych ograniczeń lub jeśli użytkownik otrzymał odpowiednie instrukcje.

- Ładowarki nie powinny obsługiwać dzieci lub osoby o ograniczonych zdolnościach fizycznych, sensorycznych lub umysłowych lub nieposiadające odpowiedniego doświadczenia i wiedzy. Ładowarka może być obsługiwana przez dzieci, które ukończyły 8. rok życia, oraz przez osoby o ograniczonych zdolnościach fizycznych, sensorycznych lub umysłowych lub nieposiadające odpowiedniego doświadczenia i wiedzy pod warunkiem, że są one pod nadzorem lub zostały poinstruowane w zakresie bezpiecznego użytkowania ładowarki i rozumieją wiążące się z tym zagrożenia. W przeciwnym razie istnieje ryzyko błędów w obsłudze i odniesienia obrażeń.
- Należy nadzorować dzieci podczas użytkowania, czyszczenia i konserwacji. Należy dopilnować, aby dzieci nie bawiły się ładowarką.
- Należy ładować tylko akumulatory 1,5 Ah 18 V systemu POWER FOR ALL. Napięcie akumulatora musi być zgodne z napięciem ładowania ładowarki akumulatora. Nie należy ładować żadnych baterii, które nie nadają się do ponownego ładowania. W przeciwnym razie istnieje ryzyko pożaru i eksplozji.
- Ładowarki należy używać wyłącznie w zamkniętych pomieszczeniach i nie wolno narażać jej na działanie wilgoci. Woda, która przedostanie się do elektronarzędzia zwiększy ryzyko porażenia prądem.
- W niewłaściwych warunkach z akumulatora może wydostać się płyn. Należy unikać kontaktu z tą cieczą. Jeśli dojdzie do przypadkowego kontaktu, należy przemyć wodą. W przypadku przedostania się cieczy do oczu należy niezwłocznie skorzystać z dodatkowej pomocy medycznej. Płyn wydobywający się z akumulatora może powodować podrażnienia lub poparzenia.
- Produkty sprzedawane wyłącznie w Wielkiej Brytanii: Produkt jest wyposażony we wtyczkę elektryczną BS 1363/A z wewnętrznym bezpiecznikiem (atest ASTA BS 1362). Jeśli wtyczka nie jest odpowiednia do gniazdka, należy zgłosić to do autoryzowanego warsztatu obsługi technicznej, w którym zostanie ona odcięta, a w jej miejsce zainstalowana prawidłowa wtyczka. Wymieniona wtyczka powinna mieć bezpiecznik o takich samych parametrach, jak oryginalna wtyczka. Odcięta wtyczkę należy wyrzucić, aby uniknąć ryzyka porażenia prądem. Nigdy nie należy jej wkładać do gniazdka elektrycznego.

Instrukcje bezpieczeństwa dotyczące konserwacji



OSTRZEŻENIE: Przed rozpoczęciem użytkowania produktu przeczytać następujące ostrzeżenia.

- Aby zapobiec przypadkowemu włączeniu w trakcie prac konserwacyjnych, należy przekreślić kluczyk bezpieczeństwa w położenie „0” i wyjąć akumulator. Przed rozpoczęciem prac konserwacyjnych odczekać co najmniej 5 s.
- Należy wykonywać jedynie prace konserwacyjne opisane w instrukcji obsługi. Większe i bardziej skomplikowane prace oraz profesjonalne naprawy muszą być wykonywane w autoryzowanym punkcie serwisowym. Więcej informacji można uzyskać w najbliższym punkcie serwisowym.
- Prace konserwacyjne należy wykonywać w prawidłowy sposób, aby zwiększyć żywotność produktu i zmniejszyć ryzyko wypadków.
- Wymienić uszkodzone, zużyte lub zniszczone części. Zawsze należy używać oryginalnych części zamiennych, dostarczanych przez producenta. Inne części zamienne mogą spowodować uszkodzenie produktu i zwiększyć ryzyko wypadków.
- Nie wolno wymontowywać ani modyfikować urządzeń zabezpieczających, ponieważ grozi to odniesieniem obrażeń.
- Podczas obsługi osprzętu tnącego należy zakładać specjalistyczne rękawice. Nóż jest bardzo ostry i może łatwo doprowadzić do skaleczenia.
- Aby uzyskać jak najlepsze efekty i zapewnić bezpieczeństwo, należy utrzymywać krawędzie tnące naostrzone i czyste.
- Regularnie oddawać urządzenie do autoryzowanego punktu serwisowego w celu jego kontroli i dokonania koniecznych regulacji lub napraw.
- Należy przestrzegać instrukcji wymiany akcesoriów. Używać wyłącznie akcesoriów od producenta urządzenia.
- Gdy urządzenie nie jest użytkowane, należy przechowywać produkt, akumulator i ładowarkę z dala od siebie, w suchym i zamkniętym pomieszczeniu. Upewnić się, że dzieci ani osoby niepowołane nie mogą uzyskać dostępu do produktu, akumulatora ani ładowarki.

Montaż

Wstęp



OSTRZEŻENIE: Przed montażem produktu należy przeczytać rozdział dotyczący bezpieczeństwa.



OSTRZEŻENIE: Aby uniknąć niezamierzonego uruchomienia w trakcie montażu, należy przekreślić kluczyk zabezpieczający w położenie „0”, wyjąć akumulator i odczekać przynajmniej 5 s.

Regulacja wysokości uchwytu

Wysokość uchwytu urządzenia można dowolnie regulować. Wysokość uchwytu można odpowiednio ustawić pomiędzy 2 punktami nastawy.

1. Ustawić urządzenie w pozycji roboczej. Patrz *Ustawienie kosiarki w pozycji roboczej na stronie 393.*
2. Obrócić pokrętki blokujące na uchwytach sterowniczych w lewo. (Rys. 27)
3. Pociągnąć uchwyty sterownicze do odpowiedniej pozycji.
4. Ustawić 2 uchwyty sterownicze w poziomie.



UWAGA: Jeśli uchwyty sterownicze nie są ustawione w poziomie, urządzenie może zostać uszkodzone.

5. Obrócić pokrętki blokujące na uchwytach sterowniczych w prawo.

6. Dokręcić do końca pokrętki blokujące.

Montaż pojemnika na trawę

1. Unieść tylną osłonę.
2. Wyjąć wkładkę rozdabniająca.
3. Zamocować pojemnik na trawę do górnej krawędzi obudowy.
4. Włożyć dolną część pojemnika na trawę do kanału otworu wylotowego trawy. (Rys. 28)



UWAGA: Upewnić się, że pojemnik na trawę jest prawidłowo przymocowany do podwozia urządzenia.

Montaż wkładki mulczącej

1. Unieść tylną pokrywę i wyjąć pojemnik na trawę.
2. Wepchnąć wkładkę mulczującą w kanał otworu wylotowego, aż do usłyszenia kliknięcia. (Rys. 29)

Montaż haka na ścianie

- Zamontować hak wewnątrz pomieszczenia.
- Hak należy trzymać w miejscu nienarażonym na działanie promieni słonecznych oraz w temperaturze otoczenia od -10 °C do +70 °C.
- Zamontować hak na ścianie wykonanej z płyty gipsowo-kartonowej, drewna lub betonu.



UWAGA: Należy upewnić się, że ściana wytrzymuje obciążenie co najmniej 30 kg.

- Zamontować hak na ścianie za pomocą 3 śrub (A). W razie potrzeby użyć kołków rozporowych (B). (Rys. 30)



UWAGA: Upewnij się, że śruby są odpowiednie dla danego typu ściany.

- Aby uzyskać informacje na temat akcesoriów do przechowywania produktu, należy skontaktować się z warsztatem obsługi technicznej Husqvarna.

Przeznaczenie

Wstęp



OSTRZEŻENIE: Przed użyciem urządzenia należy przeczytać ze zrozumieniem rozdział poświęcony bezpieczeństwu.

Husqvarna Connect

Husqvarna Connect to darmowa aplikacja na urządzenia mobilne. Husqvarna ConnectHusqvarna

- Extended product information.
- Information about, and help with, product parts and servicing.

Rozpoczęcie użytkowania Husqvarna Connect

1. Pobrać aplikację Husqvarna Connect na urządzeniu przenośnym.
2. Łączenie w aplikacji Husqvarna Connect.
3. Wykonać instrukcje wyświetlane w aplikacji Husqvarna Connect, aby nawiązać połączenie i zarejestrować produkt.

Uwaga: Aplikacja Husqvarna Connect nie jest dostępna do pobrania na wszystkich rynkach. Dodatkowe informacje można uzyskać w centrum serwisowym.

Ustawienie kosiarki w pozycji roboczej

1. Obrócić pokręta na uchwytach do położenia odblokowania. (Rys. 31)
2. Złożyć uchwyt do góry, aż rozlegnie się odgłos kliknięcia. (Rys. 32)



UWAGA: Upewnij się, że przewody nie są zbyt mocno naprężone. Zbyt mocne napięcie może spowodować uszkodzenie przewodu w przypadku złożenia uchwytu do położenia transportowego.



OSTRZEŻENIE: Upewnij się, że uchwyt jest całkowicie złożony i zablokowany.

3. Dostosuj wysokość uchwytu. Patrz *Regulacja wysokości uchwytu na stronie 392*.

Regulacja wysokości koszenia

1. Przesunąć dźwignię wysokości koszenia do tyłu w celu zwiększenia wysokości koszenia.
2. Przesunąć dźwignię wysokości koszenia do przodu w celu zmniejszenia wysokości koszenia. (Rys. 33)



UWAGA: Nie należy ustawiać zbyt niskiej wysokości koszenia. Noże mogą uderzyć w ziemię, jeśli powierzchnia trawnika nie jest równa.

Akumulator



OSTRZEŻENIE: Przed rozpoczęciem korzystania z akumulatora należy przeczytać ze zrozumieniem rozdział poświęcony bezpieczeństwu. Należy również przeczytać uważnie instrukcję obsługi dołączonej do akumulatora i ładowarki.

Zapewnić akumulatorowi i ładowarce prawidłową temperaturę otoczenia.

| | Temperatura otoczenia |
|-----------------------------------|-----------------------|
| Używanie akumulatora w urządzeniu | 0 °C – +40 °C |
| Ładowanie akumulatora | 0 °C – +35 °C |

Ładowanie akumulatora

Przed pierwszym użyciem należy naładować akumulator.

Uwaga: Proces ładowania jest możliwy tylko wtedy, gdy temperatura akumulatora mieści się w dozwolonym zakresie temperatury ładowania (0–45°C).

1. Podłączyć przewód zasilający ładowarki do uziemionego gniazda zasilania.



UWAGA: Upewnić się, że gniazdo ma prawidłowe napięcie i częstotliwość.

2. Włożyć akumulator do ładowarki. Akumulator jest podłączony do ładowarki, gdy miga zielona dioda LED. (Rys. 34)
3. Akumulator jest w pełni naładowany, gdy zielona dioda LED na ładowarce świeci stałym światłem. Akumulator można ładować przez maks. 24 godziny.
4. Odłączyć ładowarkę od źródła zasilania.



UWAGA: Nie ciągnąć za przewód.

5. Akumulator należy wyjąć z ładowarki.

Dioda LED stanu akumulatora na ładowarce

Czerwona dioda LED (A) i zielona dioda LED (B) ładowarki akumulatora wskazują stan akumulatora. Patrz *Rozwiązywanie problemów dotyczących ładowarki na stronie 397*.

(Rys. 35)

| Dioda LED | Stan akumulatora |
|---|---|
| Zielona dioda LED miga z dużą częstotliwością. | Akumulator jest ładowany. |
| Zielona dioda LED miga z małą częstotliwością. | Poziom naładowania akumulatora wynosi 80%. |
| Zielona dioda LED świeci stałym światłem. | Akumulator jest w pełni naładowany. |
| Czerwona dioda LED świeci stałym światłem. | Patrz <i>Rozwiązywanie problemów dotyczących ładowarki na stronie 397</i> . |
| Czerwona dioda LED miga z dużą częstotliwością. | Patrz <i>Rozwiązywanie problemów dotyczących ładowarki na stronie 397</i> . |

Dioda LED stanu akumulatora na urządzeniu

Po zainstalowaniu akumulatora w urządzeniu diody LED na urządzeniu wskazują stan akumulatora.

(Rys. 36)

| Dioda LED | Stan akumulatora |
|--------------------------------|--|
| Świecą się diody LED 1, 2 i 3. | Akumulator całkowicie naładowany. |
| Świecą się diody LED 1 i 2. | Akumulator wystarczająco naładowany. |
| Świeci dioda LED 1. | Poziom naładowania akumulatora jest niski. |

| Dioda LED | Stan akumulatora |
|-------------------|--|
| Miga dioda LED 1. | Akumulator rozładowany. Miga wskaźnik stanu akumulatora. Naładować akumulator. Patrz <i>Ładowanie akumulatora na stronie 393</i> . |

Uruchamianie produktu

1. Otworzyć pokrywę akumulatora.
2. Umieścić naładowany akumulator w uchwycie akumulatora.
3. Obróć kluczyk bezpieczeństwa do położenia 1. (Rys. 37)
4. Należy pozostawać za maszyną.
5. Poluzować opóźniacz rozruchu. (Rys. 26)
6. Pchnąć dźwignię hamulca silnikowego w stronę uchwytu sterowniczego. (Rys. 38)

Funkcja dużego obciążenia

Jeżeli urządzenie jest używane do ścinania mokrej lub długiej trawy, silnik automatycznie zwiększy prędkość obrotową. Silnik powróci do trybu standardowego, gdy wysokie obciążenie nie będzie już potrzebne.

Silnik gaśnie

Podczas pracy nóż i silnik mogą chwilowo zatrzymać się z powodu przeszkód, takich jak nagromadzona trawa pod pokrywą zespołu tnącego. Patrz *Czyszczenie produktu na stronie 396*.



OSTRZEŻENIE: Przed sprawdzeniem pokrywy zespołu tnącego zwolnić dźwignię hamulca silnikowego, przekręcić kluczyk bezpieczeństwa do pozycji 0, wyjąć akumulator i odczekać co najmniej 5 sekund. Jeśli przeszkoda zostanie usunięta i produkt przypadkowo uruchomi się, można odnieść obrażenia.

Wyłączanie produktu



OSTRZEŻENIE: Przed pozostawieniem produktu poza zasięgiem wzroku należy ustawić kluczyk bezpieczeństwa w położeniu 0.

1. Aby wyłączyć silnik, należy zwolnić dźwignię hamulca silnikowego. (Rys. 39)
2. Otworzyć pokrywę akumulatora i obrócić kluczyk bezpieczeństwa w położenie „0”. (Rys. 40)
3. Aby wyjąć akumulator, nacisnąć przycisk zwalniający i go wyciągnąć. (Rys. 41)

4. Jeżeli poziom naładowania akumulatora jest niski, należy go naładować. Aby uzyskać więcej informacji, patrz *Ładowanie akumulatora na stronie 393*.

Uzyskiwanie dobrych rezultatów

- Używać zawsze dobrze naostrzonych ostrzy. Stępione ostrze daje nierównomierne rezultaty, a ścinana powierzchnia żółknie. Naostrzone ostrze zużywa również mniej energii niż ostrze stępione.
- Nie należy kosić więcej niż 1/3 długości trawy. Najpierw należy kosić przy użyciu dużej wysokości koszenia. Z badać rezultaty i obniżyć wysokość koszenia do odpowiedniego poziomu. Jeśli trawa jest bardzo długa, w razie konieczności należy przejechać powoli i ściąć dwukrotnie.

- Kosić za każdym razem w różnych kierunkach, aby uniknąć powstawania pasów na trawniku.
- Utrzymywać osłonę zespołu tnącego w czystości. Nagromadzenie trawy i zanieczyszczeń po wewnętrznej stronie osłony zespołu tnącego może zmniejszyć efekt koszenia. Patrz *Czyszczenie produktu na stronie 396*.

Przegląd

Wstęp



OSTRZEŻENIE: Przed przeprowadzeniem konserwacji należy przeczytać i zrozumieć rozdział o bezpieczeństwie.

Do wykonywania wszelkich prac serwisowych i naprawczych konieczne jest specjalistyczne przeszkolenie. Gwarantujemy dostępność profesjonalnych napraw i usług serwisowych. Jeśli dany dealer nie jest autoryzowanym punktem serwisowym, poprosz sprzedawcę o informacje na temat najbliższego autoryzowanego punktu serwisowego.

Aby uzyskać więcej szczegółowych informacji, patrz www.husqvarna.com.

Plan konserwacji

Odstępy pomiędzy konserwacjami obliczane są w oparciu o codzienne wykorzystanie produktu. Odstępy te ulegają zmianie, jeśli maszyna nie jest użytkowana codziennie.

W przypadku konserwacji oznaczonych gwiazdką *, patrz instrukcje w *Bezpieczeństwo na stronie 385*.

| | Każde użycie | Co miesiąc | Co sezon |
|---|--------------|------------|----------|
| Przeprowadzić ogólny przegląd. | X | | |
| Wyczyścić urządzenie. | X | | |
| Sprawdzić blokadę rozruchu. * | X | | |
| Sprawdzić, czy urządzenia zabezpieczające są sprawne. * | X | | |
| Sprawdzić osprzęt tnący. | X | | |
| Sprawdzić pokrywę zespołu tnącego. * | X | | |
| Sprawdzić dźwignię hamulca silnikowego. * | X | | |
| Sprawdzić akumulator pod kątem uszkodzeń. | X | | |
| Sprawdzić naładowanie akumulatora. | X | | |
| Sprawdzić, czy przycisk zwalniający akumulator działa prawidłowo i czy akumulator blokuje się na miejscu w urządzeniu. | X | | |
| Sprawdzić, czy ładowarka nie jest uszkodzona oraz czy działa prawidłowo. | | X | |
| Sprawdzić połączenia pomiędzy akumulatorem a urządzeniem. Sprawdzić również połączenie pomiędzy akumulatorem a ładowarką. | | | X |

Przegląd ogólny

- Należy upewnić się, że nakrętki i śruby maszyny są dokręcone.
- Upewnić się, że przewody urządzenia nie znajdują się w położeniu, w którym mogłyby ulec uszkodzeniu.

Czyszczenie produktu

- Plastikowe części należy czyścić czystą i suchą ściereczką.
- Do czyszczenia urządzenia nie należy używać wody. Woda mogłaby dostać się do akumulatora lub silnika i wywołać zwarcie lub uszkodzenie urządzenia.
- Nie używać myjek wysokociśnieniowych do czyszczenia urządzenia.
- Nie polewać silnika bezpośrednio wodą.
- W celu usunięcia liści, trawy i brudu należy użyć szczotki.

Czyszczenie akumulatora i ładowarki



OSTRZEŻENIE: Do czyszczenia akumulatora i ładowarki nie należy używać wody.



OSTRZEŻENIE: Do czyszczenia akumulatora nie należy używać żadnych substancji chemicznych.

- Przed włożeniem akumulatora do ładowarki należy sprawdzić, czy akumulator i ładowarka są czyste i suche.
- Zaciski akumulatora należy czyścić sprężonym powietrzem lub miękką i suchą szmatką.
- Powierzchnie akumulatora i ładowarki należy czyścić miękką i suchą szmatką.

Kontrola osprzętu tnącego



OSTRZEŻENIE: Aby uniknąć niezamierzonego uruchomienia, należy przekręcić klucz zabezpieczający do położenia 0, wyjąć akumulator i odczekać przynajmniej 5 s.



OSTRZEŻENIE: W trakcie konserwacji narzędzi tnących należy korzystać z rękawic ochronnych. Ostrze jest bardzo ostre i może łatwo doprowadzić do skaleczenia.

1. Należy skontrolować, czy osprzęt tnący nie jest uszkodzony bądź pęknięty. Zawsze wymieniać uszkodzony osprzęt tnący.

2. Obejrzeć ostrze i upewnić się, że nie jest uszkodzone lub stępione.

Uwaga: Po ostrzeniu ostrze należy wypoziomować. Ostrzenie, wymiana i poziomicowanie ostrza winno zostać przeprowadzone przez centrum serwisowe. W przypadku uderzenia w przeszkodę, która zatrzymuje maszynę, należy wymienić uszkodzone ostrze. Pozwolić, aby przedstawiciel serwisowy oszacował, czy ostrze można naostrzyć czy wymienić.

Wymiana noża

Patrz *Dane techniczne na stronie 400* w celu uzyskania informacji na temat prawidłowego typu noża.



OSTRZEŻENIE: Zablokować nóż drewnianym klockiem, aby zapobiec obrażeniom palców podczas wymiany noży. Gdy silnik jest wyłączony, nóż nadal może się poruszać, przez co może dojść do przycięcia palców między nożem a nieruchomymi częściami.

1. Zablokować nóż przy użyciu drewnianego bloku. (Rys. 42)
2. Wymontować śrubę noża.
3. Zdjąć nóż.
4. Skontrolować wspornik noża oraz śrubę noża pod kątem uszkodzeń.
5. Skontrolować wał silnika, aby upewnić się, że nie jest zgięty.
6. Podczas mocowania nowego noża należy skierować zakrzywione końce noża ku pokrywie zespołu tnącego. (Rys. 43)
7. Upewnić się, że nóż jest wyrównany względem środka wału silnika.
8. Zablokować nóż przy użyciu drewnianego bloku. Zamocować podkładkę sprężynową i dokręcić śrubę oraz podkładkę momentem dokręcania wynoszącym 23-28 Nm. (Rys. 44)
9. Obracać nożem za pomocą ręki i sprawdzić, czy obraca się swobodnie.



OSTRZEŻENIE: Nosić solidne rękawice ochronne. Nóż jest bardzo ostry i może łatwo doprowadzić do skaleczenia.

10. Uruchomić maszynę w celu przetestowania noża. Jeśli nóż nie został zamontowany prawidłowo, maszyna będzie wibrować lub rezultaty koszenia będą niezadowalające.

Rozwiązywanie problemów

Rozwiązywanie problemów dotyczących ładowarki

| Dioda na ładowarce | Przyczyna | Rozwiązanie |
|--|--|--|
| Zielona dioda LED świeci się, a czerwona dioda LED miga. | Akumulator nie jest prawidłowo zainstalowany w ładowarce. | Wyjąć akumulator z ładowarki i włożyć go ponownie do ładowarki. |
| | Złącza akumulatora są zabrudzone. | Oczyszczyć złącza akumulatora. |
| | Ładowarka zidentyfikowała błąd wewnętrzny. | Upewnić się, że wszystkie akumulatory są całkowicie włożone. Wyjąć wtyczkę sieciową i włożyć ją ponownie. Jeśli błąd wystąpi ponownie, należy zlecić sprawdzenie ładowarki w autoryzowanym centrum obsługi posprzedażowej dla produktów Husqvarna. |
| | Akumulator jest uszkodzony. | Wymienić akumulator. |
| Czerwona dioda LED świeci się, a zielona dioda LED nie. | Temperatura akumulatora znajduje się poza zakresem ładowania. | Począkać, aż temperatura akumulatora powróci do dopuszczalnego zakresu temperatury ładowania (0–45°C). |
| Zielona i czerwona dioda LED są wyłączone. | Ładowarka akumulatora nie jest prawidłowo podłączona do gniazda zasilania. | Podłączyć ładowarkę akumulatora do gniazda zasilania. |
| | Gniazdo zasilania jest uszkodzone. | Ładowarkę należy podłączyć do źródła zasilania o napięciu i częstotliwości zgodnymi z tabliczką znamionową. |
| | Kabel ładowarki akumulatora jest uszkodzony. | Skontaktować się z autoryzowanym punktem serwisowym. |
| | Ładowarka akumulatora jest uszkodzona. | |
| Inne błędy. | W przypadku wystąpienia innego błędu upewnić się że urządzenie jest wyłączone, wyjąć akumulator i skonsultować się z autoryzowanym warsztatem obsługi technicznej. | |

Rozwiązywanie problemów z kosiarką

Kontrolka ostrzegawcza (dioda LED błędu) znajduje się z tyłu urządzenia, za pokrywą akumulatora.

| Problem | Dioda LED błędu (liczba błysków) | Przyczyna | Rozwiązanie |
|--|----------------------------------|---|---|
| Miga dioda LED błędu. Produkt nie działa prawidłowo. | 5 | Nóż jest zablokowany. | Aby zapobiec przypadkowemu uruchomieniu silnika, należy przekręcić kluczyk bezpieczeństwa w położenie 0. Wyjąć akumulator i odczekać co najmniej 5 sekund. Usunąć wszelkie przeszkody i upewnić się, że nóż może się swobodnie obracać. Jeśli problem utrzymuje się, skontaktować się z autoryzowanym warsztatem obsługi technicznej. |
| | | Prędkość obrotowa silnika spada zbyt mocno i silnik wyłącza się. | Zwiększyć wysokość koszenia. Patrz <i>Regulacja wysokości koszenia na stronie 393</i> . |
| | 10 | Sterownik silnika jest zbyt gorący. | Wyłączyć silnik i poczekać, aż ostygnie. |
| Miga dioda LED błędu. Produkt zatrzymuje się. | 22 | Temperatura akumulatora jest zbyt wysoka, ponieważ temperatura w środowisku pracy jest zbyt wysoka. | Przed ponownym uruchomieniem maszyny wyjąć z niej akumulator i poczekać, aż ostygnie. Upewnić się, że temperatura otoczenia jest prawidłowa. Użyć akumulatora w temperaturze od 0°C do +40°C. Jeśli problem nie ustąpi, skontaktować się z autoryzowanym serwisem. |
| | | Temperatura akumulatora jest zbyt wysoka, ponieważ w silniku wystąpiło przeciążenie | Zwiększyć wysokość koszenia. Patrz <i>Regulacja wysokości koszenia na stronie 393</i> . Jeśli problem utrzymuje się, skontaktować się z autoryzowanym warsztatem obsługi technicznej. |
| | 0 | Usterka złącza akumulatora. | Sprawdzić złącze akumulatora. |
| | 3 | Silnik jest przeciążony. | Zwiększyć wysokość koszenia. Patrz <i>Regulacja wysokości koszenia na stronie 393</i> . |
| | 9 | Błąd akumulatora lub brak sygnału z akumulatora. | Prawidłowo umieścić akumulator w urządzeniu i sprawdzić złącze akumulatora. Jeśli miga dioda LED błędu na akumulatorze, patrz <i>Rozwiązywanie problemów dotyczących ładowarki na stronie 397</i> . Jeśli problem utrzymuje się, skontaktować się z autoryzowanym warsztatem obsługi technicznej. |
| | 8 | Akumulator jest słaby. | Naładować akumulator. Patrz <i>Ładowanie akumulatora na stronie 393</i> . |
| | 12 | Nieprawidłowa procedura rozruchu. Dźwignię hamulca silnikowego zaciągnięto przed uruchomieniem silnika. | Zwolnić dźwignię hamulca silnikowego i odczekać około 5 sekund. Ponownie nacisnąć dźwignię hamulca silnikowego, aby uruchomić urządzenie. |
| | Inne błędy. | W przypadku wystąpienia innego błędu obrócić kluczyk bezpieczeństwa do położenia 0, wyjąć akumulator i skonsultować się z autoryzowanym warsztatem obsługi technicznej. | |

Transport, przechowywanie i utylizacja

Wstęp



OSTRZEŻENIE: Aby uniknąć niezamierzonego uruchomienia w trakcie transportu i przechowywania, należy przekręcić kluczyk bezpieczeństwa w położenie 0, wyjąć akumulator i odczekać przynajmniej 5 sekund.

Ustawianie urządzenia w pozycji transportowej

1. Wyczyścić pojemnik na trawę i upewnić się, że jest pusty.
2. Obrócić pokrętła blokujące na uchwycie w lewo do położenia odblokowania. (Rys. 45)
3. Pchnąć uchwyt w kierunku pokrywy tylnej.
4. Obrócić pokrętła blokujące na uchwycie w prawo do położenia zablokowania.
5. Obrócić pokrętła na uchwytach do położenia odblokowania. (Rys. 46)
6. Złożyć uchwyt w dół, aż rozlegnie się odgłos kliknięcia. (Rys. 47)

Patrz *Ustawianie urządzenia w pozycji przechowywania na stronie 399* w celu uzyskania informacji na temat przechowywania produktu.

Transport

- Przepisy dotyczące towarów niebezpiecznych mają zastosowanie do dołączonych akumulatorów litowo-jonowych.
- W przypadku transportu komercyjnego należy przestrzegać specjalnych wymagań umieszczonych na opakowaniu i etykietach.
- W trakcie przygotowywania urządzenia do transportu należy upewnić się, że postępuje się zgodnie z przepisami dotyczącymi materiałów niebezpiecznych. Mogą obowiązywać również lokalne przepisy.
- Zawsze wyjmować akumulator na czas transportu.
- Na złączach akumulatora należy przykleić taśmę i upewnić się, że akumulator nie może się przemieszczać w trakcie transportu.
- W trakcie transportu urządzenie należy zamocować.

Przechowywanie

- Przed pozostawieniem na okres przechowywania odczekać, aż urządzenie ostygnie.
- Zawsze wyjmować akumulator do przechowywania.
- Aby uniknąć wypadków, upewnić się, że akumulator jest odłączony od produktu podczas przechowywania.

- Akumulator należy trzymać w zamkniętym i suchym miejscu.
- Akumulator i ładowarkę należy trzymać w suchym miejscu, w którym nie występuje wilgoć ani mróz.
- Na czas przechowywania odłączyć akumulator od ładowarki.
- Nie przechowywać akumulatora w miejscu, gdzie może występować elektryczność statyczna. Nie przechowywać akumulatora w metalowym pojemniku.
- Produkt należy przechowywać w temperaturze otoczenia w zakresie od -20 °C do +50 °C.
- Akumulator należy przechowywać w temperaturze otoczenia od -20 °C do +50 °C, w miejscu osłoniętym przed działaniem promieni słonecznych.
- Ładowarkę należy przechowywać w miejscu suchym, zamkniętym i zabezpieczonym przed mrozem.
- Przed odstawieniem urządzenia na dłuższe przechowywanie należy upewnić się, że akumulator jest czysty i naładowany.
- Urządzenie, akumulator i ładowarkę należy trzymać w zamkniętym pomieszczeniu, niedostępnym dla dzieci ani osób nieupoważnionych.
- Wyczyścić produkt i upewnić się, że pojemnik na trawę jest pusty.
- Konserwację należy przeprowadzać wyłącznie według instrukcji użytkownika. Patrz *Przegląd na stronie 395*.
- Przed pozostawieniem produktu na dłuższy okres przechowywania należy go wyczyścić oraz przeprowadzić pełny przegląd.

Ustawianie urządzenia w pozycji przechowywania



OSTRZEŻENIE: Aby uniknąć niezamierzonego uruchomienia w trakcie transportu i przechowywania, należy przekręcić kluczyk bezpieczeństwa w położenie 0, wyjąć akumulator i odczekać przynajmniej 5 sekund.

1. Wyjąć akumulator.
2. Ustawić produktu w pozycji transportowej. Patrz *Ustawianie urządzenia w pozycji transportowej na stronie 399*.
3. Przetawić urządzenie w pozycję przechowywania.

Przechowywanie urządzenia poziomo na podłożu

1. Ustawić urządzenie w pozycji przechowywania. Patrz *Ustawianie urządzenia w pozycji przechowywania na stronie 399*.

- Zamocować pojemnik na trawę. Patrz *Mocowanie pojemnika na trawę na stronie 400*.
- Przechowywać urządzenie poziomo na podłożu. (Rys. 48)

Przechowywanie urządzenia pionowo na podłożu

- Ustawić urządzenie w pozycji przechowywania. Patrz *Ustawianie urządzenia w pozycji przechowywania na stronie 399*.
- Unieść urządzenie za punkty podnoszenia na uchwycie i ustawić je pionowo na równej powierzchni. (Rys. 49)



OSTRZEŻENIE: Nie wolno podnosić urządzenia za pokrywę zespołu tnącego. Nóż jest bardzo ostry i może łatwo doprowadzić do skaleczenia.

- Zamocować pojemnik na trawę. Patrz *Mocowanie pojemnika na trawę na stronie 400*.
- Upewnić się, że urządzenie jest stabilne, a 2 podpory dotykają podłoża.
- Przechowywać urządzenie pionowo na podłożu. (Rys. 50)

Przechowywanie urządzenia pionowo na dołączonym haku



OSTRZEŻENIE: Urządzenie można wieszac na ścianie tylko przy użyciu dołączonego haka.

- Zamontować dołączony hak. Patrz *Montaż haka na ścianie na stronie 392*.
- Ustawić urządzenie w pozycji przechowywania. Patrz *Ustawianie urządzenia w pozycji przechowywania na stronie 399*.
- Unieść urządzenie za pomocą punktów podnoszenia na uchwycie. (Rys. 49)



OSTRZEŻENIE: Nie wolno podnosić urządzenia za pokrywę

zespołu tnącego. Nóż jest bardzo ostry i może łatwo doprowadzić do skaleczenia.

- Zawiesić urządzenie pionowo na dołączonym haku. Patrz *Montaż haka na ścianie na stronie 392*. (Rys. 51)
- Upewnić się, że urządzenie wisi prawidłowo i jest stabilne na 2 prętach haka.
- Zamocować pojemnik na trawę. Patrz *Mocowanie pojemnika na trawę na stronie 400*.

Mocowanie pojemnika na trawę

- Przymocować pojemnik na trawę do rowka z przodu urządzenia. (Rys. 52)
- Docisnąć dolną część pojemnika na trawę do punktu podnoszenia, aż rozlegnie się kliknięcie. (Rys. 53)

Utylizacja

Symbole znajdujące się na urządzeniu oraz na opakowaniu informują o tym, że nie wolno traktować go jak zwykłego odpadu domowego. Musi ono zostać oddane do odpowiedniego punktu pobierania surowców wtórnych, zajmującego się przetwarzaniem urządzeń elektrycznych oraz elektronicznych.

Przekazując produkt w odpowiednie miejsce, pomagasz przeciwdziałać jego potencjalnemu negatywnemu wpływowi na środowisko naturalne i ludzi. Aby uzyskać więcej informacji na temat recyklingu niniejszego produktu, skontaktuj się z urzędem miasta lub gminy, przedsiębiorstwem gospodarki komunalnej albo punktem sprzedaży, w którym produkt został kupiony.

(Rys. 54)

Tylko dla krajów UE: Zgodnie z dyrektywą 2006/66/WE wadliwie lub zużyte akumulatory/baterie należy gromadzić oddzielnie i utylizować w sposób zgodny z przepisami ochrony środowiska.

Tylko dla Wielkiej Brytanii: Zgodnie z przepisami dotyczącymi zużytych baterii i akumulatorów z 2009 r. (SI 2009/890) (z późniejszymi zmianami) akumulatory/ baterie, które nie nadają się już do użytku, należy gromadzić oddzielnie i utylizować w sposób przyjazny dla środowiska.

Dane techniczne

Dane techniczne

| | Aspire LC34-P4A |
|--|-------------------------|
| Napęd noży | |
| Typ silnika | BLDC (bezszcotkowy) 18V |
| Prędkość silnika – nominalna, obr./min | 3000 |
| Prędkość silnika – duże obciążenie, obr./min | 3500 |

| | |
|--|------------------------|
| | Aspire LC34-P4A |
| Moc silnika – maks., kW | 0,7 |
| Moc silnika – nominalna, kW | 0,5 |
| Silnik napędowy | |
| Moc silnika – nominalna, kW | N/D |
| Prędkość chodu, km/h | N/D |
| Poziomy regulacji prędkości | N/D |
| Waga | |
| Waga bez torby (bez akumulatora), kg | 11,5 |
| Waga z torbą (w tym 1x P4A 18-B72), kg | 13,5 |
| Akumulator | |
| Typ akumulatora | Litowo-jonowy |
| Czas pracy na akumulatorze | |
| Czas działania akumulatora, min, ⁶⁹ | 60 |
| Poziomy hałasu ⁷⁰ | |
| Zmierzony poziom mocy akustycznej, dB(A) | 86 |
| Poziomy głośności, gwarantowana moc akustyczna L _{WA} dB(A) | 87 |
| Poziomy głośności ⁷¹ | |
| Poziomy ciśnienia akustycznego przy uchu operatora, dB(A) | 74 |
| Poziomy drgań ⁷² | |
| Uchwyt, m/s ² | 0,5 |
| Osprzęt tnący | |
| Wysokość koszenia, mm | 30-65 |
| Szerokość koszenia, cm | 34 |
| Standardowy nóż | Combi 5375561-10 |
| Dodatkowy nóż | N/D |
| Pojemność pojemnika na trawę, l | 30 |

Zatwierdzone akumulatory

Urządzenie może być zasilane wszystkimi akumulatorami **POWER FOR ALL**. W celu

uzyskania optymalnej wydajności zaleca się używanie akumulatorów min. 4,0 Ah.

⁶⁹ (praca swobodna) przy włączonym trybie standardowym, z jednym akumulatorem Husqvarna 4,0 Ah (P4A 18-B72).

⁷⁰ Emisję hałasu do otoczenia zmierzono jako moc akustyczną (L_{WA}), zgodnie z dyrektywą Rady 2000/14/WE.

⁷¹ Współczynnik niepewności (K) pomiaru zarejestrowanych danych dotyczących poziomu ciśnienia akustycznego wynosi 1,5 dB(A).

⁷² Współczynnik niepewności (K) pomiaru zarejestrowanych danych dotyczących poziomu drgań wynosi 1,5 m/s². Zadeklarowana całkowita wartość drgań została zmierzona zgodnie z normą EN 62841-4-3, załącznik I, i może być używana do porównywania różnych maszyn oraz do wstępnej oceny jej wielkości.

| Akumulator | P4A 18-B45 | P4A 18-B72 |
|--------------------------------|-------------------|-------------------|
| Typ | Litowo-jonowy | Litowo-jonowy |
| Pojemność akumulatora, Ah | 2,5 | 4,0 |
| Napięcie znamionowe, V | 18 | 18 |
| Masa, kg | 0,35 | 0,65 |
| Liczba ogniw (litowo-jonowych) | 5 | 10 |

Zatwierdzone ładowarki

| Ładowarka | P4A 18-C70 |
|-----------------------|-------------------|
| Napięcie wejściowe, V | 220–240 |
| Częstotliwość, Hz | 50–60 |
| Moc, W | 70 |

Deklaracja zgodności

Deklaracja zgodności UE

Firma **Husqvarna AB**, SE-561 82 Huskvarna,
Szwecja, tel.: +46-36-146500, deklarujemy z pełną
odpowiedzialnością, że produkt:

| | |
|----------------------|-------------------------------------|
| Opis | Kosiarka |
| Marka | Husqvarna |
| Typ/model | Aspire LC34-P4A |
| Identyfikacja | Numery seryjne z roku 2022 i nowsze |

spełnia wszystkie wymogi określone w odpowiednich
dyrektywach i przepisach UE:

| Przepis | Opis |
|----------------|--|
| 2006/42/WE | „w sprawie maszyn” |
| 2014/30/UE | „w sprawie kompatybilności elektromagnetycznej” |
| 2000/14/WE | „dotycząca emisji hałasu do środowiska” |
| 2011/65/UE | „dotycząca ograniczenia użycia niektórych substancji niebezpiecznych w sprzęcie elektrycznym i elektronicznym” |

oraz został zaprojektowany zgodnie z następującymi
normami i parametrami technicznymi: EN 62841-1:2015/
AC:2015, EN IEC 62841-4-3:2021/A11:2021, EN ISO
12100:2010, EN 55014-1:2021, EN 55014-2:2021, EN
IEC 61000-6-2:2019, EN IEC 61000-6-3:2021, EN IEC
63000:2018

Jednostka notyfikowana: 0404, RISE SMP Svensk
Maskinprovning AB, Box 4053, SE-904 03 Umeå,
Sweden potwierdza zgodność z dyrektywą rady
2000/14/WE, procedura oceny zgodności: Załącznik VI.

Informacje dotyczące emisji hałasu, patrz *Dane
techniczne na stronie 400.*

Huskvarna, 2022-10-24



Claes Losdal, Szef ds. Rozwoju Produkcji/Produkty
ogrodowe, Husqvarna AB

Osoba odpowiedzialna za dokumentację techniczną



Copyright © 2012–2020 STMicroelectronics

Gwarancja nie obejmuje uszkodzeń wynikających z normalnej eksploatacji, zaniedbań, używania niezgodnie z przeznaczeniem, nieautoryzowanej naprawy lub podłączenia mechanizmu ssącego do nieprawidłowego napięcia.

Wszelkie prawa zastrzeżone.

Redystrybucja i użytkowanie w postaci źródłowej i binarnej, z modyfikacjami lub bez, są dozwolone pod warunkiem spełnienia następujących warunków:

- Redystrybucje kodu źródłowego muszą zawierać powyższe zawiadomienie o prawach autorskich, niniejszą listę warunków oraz następujące zrzeczenie się odpowiedzialności.
- Redystrybucje w formie binarnej muszą zawierać powyższe zawiadomienie o prawach autorskich, niniejszą listę warunków oraz następujące zrzeczenie się odpowiedzialności w dokumentacji i/lub innych materiałach dostarczonych wraz z dystrybucją.
- Ani nazwa firmy STMicroelectronics, ani dane współautorów nie mogą być używane do wspierania lub promowania produktów pochodnych tego oprogramowania bez uzyskania uprzedniej pisemnej zgody.

NINIEJSZE OPROGRAMOWANIE JEST DOSTARCZANE PRZEZ WŁAŚCICIELI PRAW AUTORSKICH I WSPÓLAUTORÓW W STANIE, W JAKIM JEST, I NIE SĄ UDZIELANE ŻADNE WYRAŹNE ANI DOROZUMIANE GWARANCJE, W TYM MIĘDZY INNYMI, LECZ NIE WYŁĄCZNIE, DOROZUMIANE GWARANCJE PRZYDATNOŚCI HANDLOWEJ I PRZYDATNOŚCI DO OKREŚLONEGO CELU. W ŻADNYM WYPADKU WŁAŚCICIEL PRAW AUTORSKICH ANI WSPÓLAUTORZY NIE PONOSZĄ ODPOWIEDZIALNOŚCI ZA JAKIEKOLWIEK SZKODY BEZPOŚREDNIE, POŚREDNIE, PRZYPADKOWE, SPECJALNE, MORALNE LUB WYNIKOWE (W TYM MIĘDZY INNYMI, LECZ NIE WYŁĄCZNIE, DOSTARCZANIE TOWARÓW LUB USŁUG ZASTĘPCZYCH; UTRATĘ MOŻLIWOŚCI UŻYTKOWANIA, DANYCH LUB ZYSKÓW, ALBO PRZERWY W PROWADZENIU DZIAŁALNOŚCI), NIEZALEŻNIE OD TEGO, CZY JEST TO ODPOWIEDZIALNOŚĆ UMOWNA, ŚCISŁA, CZY DELIKTOWA (W TYM ZANIEDBANIA LUB INNE) WYNIKAJĄCA W JAKIKOLWIEK SPOSÓB Z KORZYSTANIA Z TEGO OPROGRAMOWANIA, NAWET JEŚLI ZOSTALI POINFORMOWANI O MOŻLIWOŚCI WYSTĄPIENIA TAKICH SZKÓD.

Licencja Apache 2.0

Copyright © 2009-2019 Arm Limited. Wszelkie prawa zastrzeżone.

Wersja 2.0, styczeń 2004 <http://www.apache.org/licenses/>

WARUNKI UŻYTKOWANIA, POWIELANIA I DYSTRYBUCJI

1. Definicje.

„**Licencja**” oznacza warunki użytkowania, powielania i dystrybucji określone w sekcjach od 1 do 9 niniejszego dokumentu. „**Licencjodawca**” oznacza właściciela praw autorskich lub podmiot upoważniony przez właściciela praw autorskich, który udziela licencji. „**Podmiot prawny**” oznacza związek podmiotu działającego i wszystkich innych podmiotów, które kontrolują lub są kontrolowane przez ten podmiot lub znajdują się pod wspólną kontrolą z tym podmiotem. Do celów niniejszej definicji „**kontrola**” oznacza (i) bezpośrednią lub pośrednią władzę, która umożliwia kierowanie lub zarządzanie takim podmiotem, na podstawie umowy lub w inny sposób, lub (ii) własność pięćdziesięciu procent (50%) lub więcej akcji znajdujących się w obrocie, lub (iii) faktyczne prawa własności takiego podmiotu. „**Użytkownik**” (lub „**Ty**”) oznacza osobę fizyczną lub prawną, która korzysta z uprawnień przyznanych na mocy niniejszej licencji. „**Źródło**” oznacza preferowaną formę do wprowadzania zmian, w tym między innymi, lecz nie wyłącznie, kod źródłowy oprogramowania, źródło dokumentacji i pliki konfiguracyjne. „**Obiekt**” oznacza każdą formę powstałą w wyniku mechanicznego przekształcenia lub tłumaczenia formy źródłowej, w tym między innymi, lecz nie wyłącznie, skompilowany kod obiektu, wygenerowana dokumentacja i konwersje na inne typy mediów. „**Dzieło**” oznacza dzieło autorskie, zarówno w formie źródłowej, jak i obiektowej, udostępnione na mocy licencji, jak wskazano w zawiadomieniu o prawach autorskich zawartych w dziele lub do niego dołączonych (przykład znajduje się w Załączniku poniżej). „**Dzieła pochodne**” oznaczają wszelkie dzieła, zarówno w formie źródłowej, jak i obiektowej, oparte na dziele lub z niego pochodzące, których rewizje redakcyjne, adnotacje, opracowania lub inne modyfikacje stanowią, jako całość, oryginalne dzieło autorskie. Do celów niniejszej licencji dzieła pochodne nie obejmują dzieł, które pozostają rozdzielne lub jedynie łączą (lub wiążą poprzez nazwę) z interfejsami wymienione powyżej dzieło i dzieła pochodne. „**Wkład**” oznacza każde dzieło autorskie, w tym oryginalną wersję dzieła oraz wszelkie modyfikacje lub dodatki do wymienionych powyżej dzieł lub dzieł pochodnych, które zostały celowo przedłożone Licencjodawcy w celu włączenia do dzieła przez właściciela praw autorskich lub osobę fizyczną lub prawną upoważnioną do działania w imieniu właściciela praw autorskich. Do celów niniejszej definicji „**przesłane**” oznacza każdą formę komunikacji elektronicznej, ustnej lub pisemnej, wysłanej do Licencjodawcy lub jego przedstawicieli, w tym między innymi, lecz nie wyłącznie, komunikację przy użyciu elektronicznych list wysyłkowych, systemów kontroli kodu źródłowego oraz

systemów śledzenia problemów, które są zarządzane przez Licencjodawcę lub w jego imieniu, w celu omówienia i udoskonalenia dzieła, ale z wyłączeniem komunikacji, która jest wyraźnie oznaczona lub w inny sposób określona na piśmie przez właściciela praw autorskich jako „Nie wkład”, „Współautor” oznacza Licencjodawcę oraz każdą osobę fizyczną lub prawną, w imieniu której Licencjodawca otrzymał wkład, który następnie włączył do dzieła.

2. Udzielenie licencji na prawa autorskie.

Z zastrzeżeniem warunków niniejszej licencji każdy Współautor niniejszym udziela Użytkownikowi wieczyste, ogólnosiwiatowej, niewyłącznej, nieodwołalnej licencji na prawa autorskie bez pobierania opłat ani tantiem, upoważniającej do powielania, przygotowywania dzieł pochodnych, publicznego pokazywania, publicznego wykorzystywania, udzielania sublicencji oraz dystrybucji dzieła i dzieł pochodnych w formie źródłowej lub obiektowej.

3. Udzielenie licencji patentowej.

Z zastrzeżeniem warunków niniejszej licencji każdy Współautor niniejszym udziela Użytkownikowi wieczyste, ogólnosiwiatowej, niewyłącznej, nieodwołalnej (z wyjątkiem przypadków określonych w niniejszej sekcji) licencji patentowej, bez pobierania opłat ani tantiem, na wykonywanie, powierzanie wykonywania, użytkowanie, oferowanie do sprzedaży, sprzedawanie, importowanie i inne sposoby transferowania dzieła, gdy taka licencja dotyczy tylko tych roszczeń patentowych, na które licencji może udzielać taki Współautor oraz które muszą zostać naruszone przez sam(e) jego wkład(y) lub przez połączenie jego wkładu(-ów) z dziełem, do którego został(y) przesłany(-e) taki(e) wkład(y). Jeżeli wszczęto postępowanie sądowe w sprawie patentu przeciwko któremukolwiek podmiotowi (w tym roszczenie wzajemne w postępowaniu sądowym), w którym stwierdzono, że dzieło lub wkład wniesiony w dzieło stanowi naruszenie patentu bezpośrednio lub poprzez wkład, wszelkie licencje patentowe, udzielone Użytkownikowi na podstawie niniejszej licencji w odniesieniu do dzieła, wygasają z dniem złożenia pozwu.

4. Redystrybucja.

Użytkownik może powielać i dystrybuować kopie dzieła lub dzieł pochodnych wymienionych powyżej przy użyciu dowolnego medium, z modyfikacjami lub bez, oraz w formie źródłowej lub obiektowej, pod warunkiem spełnienia następujących warunków:

- Użytkownik musi przekazać kopię niniejszej licencji wszystkim innym odbiorcom dzieła lub dzieł pochodnych; oraz
- Użytkownik musi zadbać, aby wszelkie zmodyfikowane pliki posiadały wyraźnie widoczne zawiadomienia, że zostały zmienione przez Użytkownika, a także musi zachować w formie źródłowej wszelkich dystrybuowanych dzieł

pochodnych wszystkie zawiadomienia o prawach autorskich, patentach, znakach towarowych i przynależnych prawach z formy źródłowej dzieła, z wyjątkiem tych zawiadomień, które nie dotyczą żadnej części dzieł pochodnych; oraz

- Jeżeli dzieło zawiera plik tekstowy „ZAWIADOMIENIE”, który stanowi część jego dystrybucji, wszelkie dzieła pochodne dystrybuowane przez Użytkownika muszą zawierać czytelną kopię powiadomień o przynależnych prawach, zawartą w takim pliku ZAWIADOMIENIE, z wyjątkiem tych zawiadomień, które nie dotyczą żadnej części dzieł pochodnych, w co najmniej jednym z następujących miejsc: w pliku tekstowym ZAWIADOMIENIE, dystrybuowanym jako część dzieł pochodnych; w formie źródłowej lub dokumentacji, jeśli jest ona dostarczana wraz z dziełami pochodnymi; lub w formie prezentacji generowanej za każdym razem przez dzieła pochodne, jeśli normalnie pojawiają się takie powiadomienia dotyczące stron trzecich. Zawartość pliku ZAWIADOMIENIE ma wyłącznic charakter informacyjny i w żaden sposób nie może modyfikować licencji. Użytkownik może dodawać własne zawiadomienia o przynależnych prawach w dziełach pochodnych, które dystrybuuje, wraz z tekstem ZAWIADOMIENIA lub jako dodatek do tekstu ZAWIADOMIENIA pochodzącego z dzieła, pod warunkiem że takie dodatkowe zawiadomienia o przynależnych prawach nie mogą być interpretowane jako modyfikowanie licencji. Użytkownik może dodać własne oświadczenie o prawach autorskich do swoich modyfikacji i może dostarczyć dodatkowe lub inne warunki licencji na użytkowanie, powielanie lub dystrybucję modyfikacji Użytkownika lub wszelkich takich dzieł pochodnych jako całości, pod warunkiem że używanie, powielanie i dystrybucja dzieła przez Użytkownika pod wszystkimi innymi względami spełnia wymogi podane w warunkach określonych w niniejszej licencji.

5. Przesyłanie wkładów.

O ile Użytkownik wyraźnie nie zawiadomi inaczej, wszelkie wkłady umyślnie przesłane Licencjodawcy w celu włączenia do dzieła będą podlegać warunkom niniejszej licencji bez żadnych dodatkowych warunków. Bez względu na powyższe postanowienia, żadne postanowienie nie zastępuje ani nie zmienia warunków jakiegokolwiek odrębnej umowy licencyjnej, którą Użytkownik mógł zawrzeć z Licencjodawcą w odniesieniu do takich wkładów.

6. Znaki towarowe.

Niniejsza Licencja nie udziela pozwolenia na używanie nazw handlowych, znaków towarowych, znaków usługowych ani nazw produktów Licencjodawcy, z wyjątkiem sytuacji, gdy jest to wymagane do rozsądnego i zwyczajowego użycia w opisie pochodzenia dzieła i reprodukcji zawartości pliku ZAWIADOMIENIE.

7. Wyłączenie gwarancji.

O ile nie jest to wymagane przez obowiązujące prawo lub nie zostało uzgodnione na piśmie, Licencjodawca dostarcza dzieło (a każdy Współautor dostarcza swój wkład) W STANIE, W JAKIM JEST, BEZ UDZIELANIA JAKICHKOLWIEK GWARANCJI LUB WARUNKÓW, wyraźnych lub dorozumianych, w tym bez ograniczeń, wszelkich gwarancji lub warunków dotyczących TYTUŁU, NIENARUSZANIA PRAW, PRZYDATNOŚCI HANDLOWEJ LUB PRZYDATNOŚCI DO OKREŚLONEGO CELU. Użytkownik ponosi wyłączną odpowiedzialność za określenie przydatności dzieła do używania lub redystrybucji oraz za wszelkie ryzyka związane z wykonywaniem przez niego uprawnień na mocy niniejszej licencji. 8. Ograniczenie odpowiedzialności. W żadnym wypadku i na podstawie żadnej teorii prawnej, niezależnie od tego, czy jest to odpowiedzialność ścisła (obejmująca zaniedbania), umowna, czy inna, chyba że jest to wymagane przez obowiązujące prawo (na przykład w związku z umyślnymi i rażącymi aktami zaniedbania) lub uzgodnione na piśmie, żaden Współautor nie ponosi odpowiedzialności wobec Użytkownika za szkody, w tym wszelkiego rodzaju szkody bezpośrednie, pośrednie, szczególne, przypadkowe lub wynikowe, powstałe w wyniku

zastosowania niniejszej licencji albo użytkowania lub niemożności użytkowania dzieła (w tym między innymi, lecz nie wyłącznie, szkody spowodowane stratami wizerunkowymi, zatrzymaniem pracy, awarią lub nieprawidłowym działaniem komputerów, ani wszelkie inne szkody lub straty handlowe), nawet jeśli Współautor został powiadomiony o możliwości wystąpienia takich szkód.

9. Akceptowanie gwarancji lub dodatkowej odpowiedzialności.

Podczas redystrybucji dzieła lub dzieł pochodnych Użytkownik może zaoferować i obciążyć opłatami akceptację wsparcia, gwarancji, odszkodowania lub innych zobowiązań i/lub praw zgodnych z niniejszą licencją. Jednakże Użytkownik akceptujący takie zobowiązania może działać wyłącznie w swoim imieniu i na swoją wyłączną odpowiedzialność, ale nie w imieniu żadnego innego Współautora, i tylko wtedy, gdy wyraża zgodę na zwolnienie z odpowiedzialności, obronę i zwolnienie każdego Współautora z wszelkiej odpowiedzialności i wszelkich roszczeń wobec takiego Współautora związanych z zaakceptowaniem przez Użytkownika takiej gwarancji lub dodatkowej odpowiedzialności. KONIEC WARUNKÓW

Zarejestrowane znaki handlowe

Kod QR jest zastrzeżonym znakiem towarowym DENSO WAVE INCORPORATED w Japonii.

ÍNDICE

| | | | |
|-----------------------------|-----|---|-----|
| Introdução..... | 407 | Transporte, armazenamento e eliminação..... | 421 |
| Segurança..... | 408 | Especificações técnicas..... | 423 |
| Montagem..... | 414 | Declaração de conformidade..... | 426 |
| Funcionamento..... | 415 | Licenças..... | 427 |
| Manutenção..... | 417 | Marcas comerciais registadas..... | 429 |
| Resolução de problemas..... | 419 | | |

Introdução

Descrição do produto

O produto é um corta-relva giratório de controlo apeado. A relva é apanhada num coletor de relva. Remova o coletor de relva para recolher a descarga traseira da relva. Prenda um tampão de trituração para cortar a relva e torná-la fertilizante.

Finalidade

Utilize o produto para cortar a relva. Não utilize o produto para outras tarefas.

Guia rápido

Leia o código QR para obter conselhos sobre como utilizar o produto.



Vista geral do produto

(Fig. 1)

1. Punho do travão do motor
2. Inibidor de arranque
3. Punho/barra de direção
4. Manípulo de bloqueio da barra de direção
5. Manípulos do punho
6. Coletor de relva
7. Tampão de trituração
8. Cobertura traseira
9. LED no produto
10. Indicador de aviso (LED de erro)
11. Chave de segurança
12. Compartimento da bateria
13. Tapa da bateria
14. Símbolos
15. Alavanca da altura de corte
16. Bateria (acessório)
17. Carregador de bateria (acessório)
18. LED vermelho
19. LED verde
20. Pontos de elevação
21. Gancho
22. Manual do utilizador

Símbolos no produto

- (Fig. 2) ATENÇÃO
- (Fig. 3) Leia as instruções.
- (Fig. 4) AVISO – Tenha cuidado com objetos projetados.
- (Fig. 5) Mantenha as outras pessoas afastadas.
- (Fig. 6) AVISO – Mantenha as mãos e os pés afastados das lâminas.
- (Fig. 7) AVISO – Desligue a bateria antes da manutenção.
- (Fig. 8) O produto ou a respetiva embalagem não são resíduos domésticos. Recicle o equipamento numa estação de reciclagem para equipamentos elétricos e eletrónicos.
- (Fig. 9) Emissão de ruído para a etiqueta ambiental de acordo com as diretivas e regulamentos da União Europeia e do Reino Unido e o regulamento "Protection of the Environment Operations (Noise

- (Fig. 10) Este acessório está em conformidade com as diretivas aplicáveis da CE.
- (Fig. 11) Este produto está em conformidade com os regulamento aplicáveis do Reino Unido.
- (Fig. 12) O produto está protegido contra gotejamento.
- (Fig. 13) Solte o punho do travão do motor para parar.
- (Fig. 14) Empurre o punho do travão do motor para acionar as lâminas.
- (Fig. 15) Código para leitura.
- (Fig. 18) Rode para bloquear ou desbloquear.

(Fig. 20)

Utilize a bateria apenas em produtos de parceiros do sistema POWER FOR ALL.

(Fig. 21)

Proteja a bateria de calor, por exemplo, contra luz solar intensa e contínua, fogo, sujidade, água e humidade. Existe um risco de explosão e curto-circuito.

(Fig. 22)

(Fig. 16)

Utilize e armazene o carregador de bateria apenas em espaços interiores.

(Fig. 17)

Isolamento duplo.

Etiqueta no produto

(Fig. 23)

PERIGO – Mantenha as mãos e os pés afastados.

Responsabilidade pelo produto

Como referido nas leis de responsabilidade pelo produto, não somos responsáveis por danos causados pelo nosso produto se:

- o produto tiver sido incorretamente reparado.
- o produto tiver sido reparado com peças que não sejam do fabricante ou que não sejam aprovadas pelo fabricante.
- o produto tiver um acessório que não seja do fabricante ou que não seja aprovado pelo fabricante.
- o produto não tiver sido reparado por um centro de assistência autorizado ou por uma autoridade aprovada.

Nota: Os restantes símbolos/autocolantes existentes no produto dizem respeito às exigências de homologação de alguns países.

Símbolos na bateria e/ou no carregador de bateria

- (Fig. 19) Recicle este produto numa estação de reciclagem para equipamentos elétricos e eletrónicos. (Válido unicamente na Europa)

Segurança

Definições de segurança

Os avisos, as precauções e as notas são utilizados para indicar partes especialmente importantes do manual.



ATENÇÃO: Utilizado no caso de existir risco de ferimento ou morte para o utilizador ou transeuntes, se não forem respeitadas as instruções do manual.



CUIDADO: Utilizado se existir risco de danos para o produto, para outros materiais ou para a área adjacente, se não forem respeitadas as instruções do manual.

Nota: Utilizado para disponibilizar informações adicionais necessárias numa determinada situação.

Avisos gerais de segurança do produto



ATENÇÃO: Leia todos os avisos de segurança, as instruções, as ilustrações e as especificações fornecidos com este produto. O incumprimento das instruções indicadas abaixo poderá resultar em choques elétricos, incêndios e/ou ferimentos graves.

Guarde todos os avisos e instruções para referência futura. O termo "produto" nos avisos refere-se a produtos (com fios) ligados à corrente elétrica ou a produtos (sem fios) de funcionamento a bateria.

Segurança no local de trabalho

- **Mantenha a área de trabalho limpa e bem iluminada.** Áreas desarrumadas ou escuras convidam ao acidente.
- **Não utilize o produto em ambientes explosivos, tal como na presença de poeiras, gases ou líquidos inflamáveis.** O produto cria faíscas que podem inflamar poeiras ou gases.
- **Mantenha as crianças e restantes pessoas afastadas enquanto opera o produto.** As distrações podem fazê-lo perder o controlo.

Segurança no manejo de eletricidade

- **As fichas dos produtos têm de corresponder à tomada. Nunca modifique a ficha de qualquer forma. Não utilize quaisquer fichas adaptadoras com produtos ligados à terra.** As fichas inalteradas e as tomadas correspondentes reduzem o risco de choque elétrico.
- **Evite o contacto corporal com superfícies ligadas à terra, tais como tubos, radiadores, fogões e frigoríficos.** Existe um risco acrescido de choque elétrico se o seu corpo estiver em contacto com a terra.
- **Não exponha os produtos à chuva ou a condições de humidade.** A entrada de água num produto aumenta o risco de choque elétrico.
- **Não danifique o fio elétrico. Nunca utilize o cabo elétrico para transportar, puxar ou desligar o produto. Mantenha o cabo elétrico afastado de fontes de calor, óleo, arestas afiadas ou de peças em movimento.** Os fios elétricos danificados ou emaranhados aumentam o risco de choque elétrico.
- **Ao utilizar um produto no exterior, utilize uma extensão elétrica adequada para utilização em exteriores.** A utilização de um cabo elétrico adequado para utilização no exterior reduz o risco de choque elétrico.
- **Se não puder evitar utilizar um produto num local húmido, utilize uma fonte de alimentação com corta-circuito com um dispositivo diferencial residual (DDR).** A utilização de um RCD reduz o risco de choque elétrico.

Segurança pessoal

- **Mantenha-se em alerta, tenha atenção ao que está a fazer e use o bom senso ao utilizar um produto. Não utilize um produto se estiver cansado ou sob a influência de drogas, álcool ou medicação.** Um momento de desatenção ao utilizar os produtos pode resultar em lesões pessoais graves.
- **Use equipamento de proteção pessoal. Use sempre proteção ocular.** A utilização de equipamento de proteção como máscara antipoeira, calçado de segurança antiderrapante, capacete ou protetores acústicos nas condições apropriadas irá reduzir os ferimentos pessoais.
- **Prevenção de arranque não intencional. Certifique-se de que o interruptor se encontra desligado antes de ligar o produto à fonte de alimentação e/ou à bateria, ou de o pegar ou transportar.** Transportar os produtos com o dedo no interruptor ou ligar os produtos à corrente elétrica com o interruptor ligado é um convite aos acidentes.
- **Remova qualquer chave de ajuste ou chave de porcas antes de ligar o produto.** Uma chave de porcas ou uma chave ligada a uma peça em rotação do produto pode resultar em lesões pessoais.
- **Não se debruce. Mantenha o equilíbrio e os pés sempre bem assentes.** Isto permite um melhor controlo do produto em situações inesperadas.
- **Vista-se adequadamente. Não use peças de roupa soltas ou jóias. Mantenha o cabelo e roupas longe de quaisquer peças em movimento.** Roupas soltas, jóias ou cabelo comprido podem ser apanhados nas peças em movimento.
- **Se forem fornecidos dispositivos para a ligação de equipamentos de extração e de recolha de poeiras, assegure-se de que estes estão ligados e são utilizados corretamente.** A utilização da recolha de poeiras pode reduzir os riscos relacionados com poeiras.
- **Siga sempre os princípios de segurança dos produtos, mesmo que já esteja familiarizado com os mesmos devido a utilização frequente.** Uma ação descuidada pode provocar ferimentos graves numa fração de segundo.

Utilização e tratamento do produto

- **Não force o produto. Utilize o produto adequado para a sua aplicação.** O produto adequado proporcionará melhores resultados e permitirá uma utilização em segurança para os fins a que se destina.
- **Não utilize o produto se o interruptor não ligar ou desligar.** Qualquer produto que não possa ser controlado com o interruptor é perigoso e tem de ser reparado.
- **Desligue a ficha da fonte de alimentação elétrica e/ou retire a bateria, se amovível, do produto antes de efetuar quaisquer ajustes, mudar acessórios ou guardar os produtos.** Estas medidas de prevenção reduzem o risco de ligar o produto acidentalmente.

- **Guarde os produtos que não estão a ser utilizados fora do alcance das crianças e não permita que qualquer pessoa não familiarizada com o produto ou com estas instruções utilize o produto.** Os produtos são perigosos nas mãos de utilizadores inexperientes.
- **Efetue a manutenção dos produtos e dos acessórios. Verifique a existência de bloqueios ou de falhas no alinhamento das peças móveis, danos nas peças e qualquer outra condição que possa afetar o funcionamento do produto. Se estiver danificado, repare o produto antes de o utilizar.** Muitos acidentes são causados por produtos com uma manutenção inadequada.
- **Mantenha as ferramentas de corte afiadas e limpas.** Ferramentas de corte com as zonas de corte afiadas e bem mantidas têm menos probabilidades de bloquear e são mais fáceis de controlar.
- **Use o produto, acessórios e brocas, etc. de acordo com estas instruções, tomando em consideração as condições de funcionamento e o trabalho a ser executado.** A utilização do produto para operações diferentes das previstas pode resultar numa situação perigosa.
- **Mantenha os punhos e as superfícies onde se segura secos, limpos e sem óleo nem massa lubrificante.** As superfícies onde se segura e os punhos escorregadios não permitem um controlo e um manuseamento seguros do produto em situações inesperadas.

Utilização e manutenção da bateria

- **Recarregue a bateria apenas com o carregador especificado pelo fabricante.** Um carregador adequado para um tipo de bateria pode criar risco de incêndio quando usado com outra bateria.
- **Utilize produtos apenas com as baterias especificamente concebidas para os mesmos.** A utilização de quaisquer outras baterias pode criar risco de ferimentos e incêndio.
- **Quando a bateria não está a ser utilizada, mantenha-a afastada de outros objetos metálicos, como clips, moedas, chaves, pregos, parafusos ou outros objetos metálicos pequenos que possam fazer a ligação entre os dois terminais.** Provocar curto-circuitos nos terminais das baterias pode provocar queimaduras ou um incêndio.
- **Em condições extremas, é possível que o líquido da bateria verta; evite o contacto. Se ocorrer algum contacto accidental, lave com água. Se o líquido entrar em contacto com os olhos, procure assistência médica adicional.** O líquido vertido da bateria pode provocar irritações ou queimaduras.
- **Não utilize uma bateria ou uma ferramenta que se encontre danificada ou modificada.** As baterias danificadas ou modificadas podem apresentar um comportamento imprevisível que pode resultar em incêndios, explosões ou ferimentos graves.
- **Não exponha uma bateria ou uma ferramenta a fogo ou temperaturas excessivas.** A exposição

a incêndios ou a temperaturas acima de 130 °C/265 °F pode provocar uma explosão.

- **Siga todas as instruções de carregamento e não carregue a bateria ou a ferramenta fora do intervalo de temperatura especificado nas instruções.** Os carregamentos impróprios ou a temperaturas fora do intervalo especificado podem danificar a bateria e aumentar o risco de incêndio.

Assistência

- **Garanta que a manutenção do seu produto é efetuada por um técnico de reparações qualificado e que utilize apenas peças de substituição idênticas.** Desta forma, garante a manutenção da segurança do produto.
- **Nunca deve efetuar a manutenção de baterias danificadas.** A manutenção das baterias deve ser efetuada apenas pelo fabricante ou por prestadores de serviços autorizados.

Avisos de segurança do corta-relva

- **Não utilize o corta-relva em más condições climáticas, principalmente quando existir risco de ocorrência de relâmpagos.** Isto diminui o risco de ser atingido por relâmpagos.
- **Inspecione cuidadosamente a área quanto à existência de vida selvagem no local onde o corta-relva será utilizado.** A vida selvagem pode ser ferida pelo corta-relva durante o funcionamento.
- **Inspecione minuciosamente a área onde o corta-relva será utilizado e retire todas as pedras, paus, fios, ossos e outros objetos estranhos.** Os objetos projetados podem causar ferimentos pessoais.
- **Antes de utilizar o corta-relva, verifique sempre visualmente se a lâmina e o conjunto da lâmina apresentam sinais de desgaste ou danos.** As peças gastas ou danificadas aumentam o risco de ferimentos.
- **Verifique frequentemente o desgaste ou a deterioração do coletor de relva.** Um coletor de relva gasto ou danificado pode aumentar o risco de ferimentos pessoais.
- **Mantenha as proteções no devido lugar. As proteções devem estar em bom estado de funcionamento e corretamente montadas.** Uma proteção solta, danificada ou a funcionar incorretamente pode resultar em ferimentos pessoais.
- **Mantenha todas as entradas de ar de refrigeração livres de detritos.** Entradas de ar obstruídas e detritos podem resultar em sobreaquecimento ou risco de incêndio.
- **Durante o funcionamento do corta-relva, utilize sempre calçado antiderrapante e de proteção. Não utilize o corta-relva se estiver descalço ou com sandálias abertas.** Isto reduz a possibilidade de ferimentos nos pés devido ao contacto com a lâmina em movimento.
- **Durante a utilização do corta-relva, utilize sempre calças compridas.** A pele exposta aumenta a

probabilidade de ferimentos causados por objetos projetados.

- **Não utilize o corta-relva em relva molhada. Caminhe, nunca corra.** Isto reduz o risco de escorregamento e queda, que pode resultar em ferimentos pessoais.
- **Não utilize o corta-relva em declives excessivamente íngremes.** Isto reduz o risco de perda de controlo, escorregamento e queda, que pode resultar em ferimentos pessoais.
- **Ao trabalhar em declives, certifique-se sempre da colocação dos pés, trabalhe sempre ao longo da face dos declives, nunca para cima ou para baixo, e tenha muito cuidado ao mudar de direção.** Isto reduz o risco de perda de controlo, escorregamento e queda, que pode resultar em ferimentos pessoais.
- **Tenha muito cuidado ao fazer marcha-atrás ou ao puxar o corta-relva para si. Preste atenção ao que o rodeia.** Isto reduz o risco de tropeçar durante o funcionamento.
- **Não toque nas lâminas nem noutras peças móveis perigosas enquanto estas ainda estiverem em movimento.** Isto reduz o risco de ferimentos provocados por peças móveis.
- **Quando estiver a retirar material encravado ou a limpar o corta-relva, certifique-se de que todos os interruptores estão desligados, bem como o cabo de alimentação.** O funcionamento inesperado do corta-relva pode resultar em ferimentos pessoais graves.

Dispositivo diferencial residual

- Utilize um dispositivo diferencial residual com uma corrente de disparo máxima de 30 mA.

Instruções de segurança gerais



ATENÇÃO: Leia as instruções de aviso que se seguem antes de utilizar o produto.

- Este produto é perigoso se for utilizado de forma incorreta ou se não o utilizador for cuidadoso. Podem ocorrer ferimentos graves ou mesmo morte se as instruções de segurança não forem respeitadas.
- Este produto produz um campo eletromagnético durante o funcionamento. Em determinadas circunstâncias, este campo pode interferir com o funcionamento de implantes médicos ativos ou passivos. Para diminuir o risco de ferimentos graves ou mortais, recomendamos que os portadores de implantes médicos consultem o seu médico e o fabricante do implante antes de utilizar este produto.
- Seja sempre cuidadoso e use o seu senso comum. Se não tiver a certeza sobre como utilizar o produto numa situação especial, pare e fale com o seu revendedor Husqvarna antes de continuar.
- Tenha em atenção que o utilizador é responsável pelos acidentes que incluam outras pessoas ou a respetiva propriedade.

- Mantenha o produto limpo. Certifique-se de que pode ler claramente os sinais e os autocolantes.
- Não permita a utilização do equipamento por crianças ou pessoas não familiarizadas com estas instruções. As normas locais podem restringir a idade do operador.
- Monitorize sempre a utilização do produto por pessoas com diminuição da capacidade física ou mental. Tem de estar sempre presente um adulto responsável.
- Não utilize o produto se estiver cansado, doente ou sob a influência de álcool, drogas ou medicamentos. Estes têm um efeito negativo na sua visão, atenção, capacidade de discernimento ou controlo físico.
- Não utilize o produto se este apresentar algum defeito.
- Não altere este produto e não o utilize se houver a possibilidade de ter sido alterado por outros.

Segurança do trabalho



ATENÇÃO: Leia as instruções de aviso que se seguem antes de utilizar o produto.

- Utilize este produto apenas para cortar relva. Não é permitido utilizá-lo para outras tarefas.
- Use equipamento de proteção pessoal. Consulte *Equipamento de proteção pessoal na página 412*.
- Certifique-se de que sabe como desligar o motor rapidamente em caso de emergência.
- Não utilize o produto em condições de chuva ou de humidade. O risco de choque elétrico aumenta se entrar água no produto.
- Não utilize o produto, a menos que a lâmina e todas as coberturas estejam corretamente montadas. Uma lâmina montada incorretamente pode soltar-se e causar ferimentos pessoais.
- Certifique-se de que a lâmina não atinge objetos como pedras e raízes. Isto pode causar danos à lâmina e dobrar o eixo do motor. Um eixo dobrado provoca fortes vibrações e um elevado risco de a lâmina se soltar.
- Se a lâmina atingir um objeto ou ocorrerem vibrações, pare o produto imediatamente. Desligue o motor, rode a chave de segurança para a posição 0 e retire a bateria. Aguarde até que as peças móveis parem. Examine se o produto apresenta sinais de danos. Aperte peças soltas. Repare os danos e substitua as peças danificadas. Solicite a realização da reparação numa oficina autorizada.
- Nunca ligue o manípulo de travão do motor de modo permanente ao punho durante o arranque do motor.
- Coloque o produto numa superfície estável e plana e ligue-o. Certifique-se de que a lâmina não atinge o solo ou outros objetos.
- Mantenha-se sempre por trás do produto quando o operar.

- Mantenha todas as rodas no chão e as duas mãos sobre o punho quando utilizar o produto. Mantenha as mãos e os pés afastados das lâminas rotativas.
- Não incline o produto quando ligar o motor ou durante o funcionamento do produto.
- Tenha cuidado quando puxar o produto para trás.
- Nunca levante o produto quando ligar o motor. Se tiver de levantar o produto, desligue primeiro o motor, rode a chave de segurança para a posição 0 e retire a bateria.
- Não caminhe para trás quando operar o produto.
- Pare o motor quando for necessário inclinar o produto para transporte ou antes de se deslocar em áreas sem relva, por exemplo, caminhos em gralha, pedra e asfalto.
- Não corra com o produto quando o motor está ligado. Caminhe sempre que operar o produto.
- Pare o motor antes de mudar a altura de corte. Nunca efetue ajustes com o motor ligado.
- Nunca deixe o produto fora de vista com o motor ligado. Pare o motor e certifique-se de que o equipamento de corte não roda.
- As vibrações no produto durante o funcionamento podem ser diferentes do valor de vibração declarado em *Especificações técnicas na página 423*. A diferença é causada por variações na forma como o produto é utilizado. Se utilizar o produto com frequência ou durante longos períodos de tempo, faça pausas regularmente para evitar ferimentos provocados por vibrações.

Instruções de segurança para funcionamento

Equipamento de proteção pessoal



ATENÇÃO: Leia as instruções de aviso que se seguem antes de utilizar o produto.

- O equipamento de proteção pessoal não previne totalmente os ferimentos mas diminui a respetiva gravidade em caso de acidente. Obtenha ajuda junto do seu concessionário para selecionar o equipamento certo.
- Use botas ou sapatos antiderrapantes resistentes. Não use calçado aberto nem ande com os pés descalços.
- Use calças compridas e resistentes.
- Use luvas de proteção sempre que necessário, por exemplo, ao fixar, examinar ou limpar o equipamento de corte.
- Recomendamos a utilização de protetores acústicos.

Dispositivos de segurança no produto



ATENÇÃO: Leia as instruções de aviso que se seguem antes de utilizar o produto.

- Não utilize o produto com dispositivos de segurança defeituosos.
- Não remova os dispositivos de segurança, nem os modifique.
- Verifique regularmente os dispositivos de segurança. Se os dispositivos de segurança estiverem defeituosos, fale com a sua oficina Husqvarna autorizada.

Verificar a cobertura de corte

A cobertura de corte reduz as vibrações no produto e o risco de ferimentos causados pela lâmina.

- Examine a cobertura de corte para se certificar de que não existem danos, como fissuras.

Verificar a chave de segurança

A chave de segurança encontra-se por baixo da tampa da bateria. A chave de segurança liga a bateria que alimenta o motor.

- Ligue e desligue o motor para verificar o funcionamento da chave de segurança.
- Se a chave de segurança funcionar corretamente, o motor pode arrancar apenas quando a chave de segurança se encontra na posição 1. (Fig. 24)

Verificar o punho do travão do motor

O manípulo de travão do motor para o motor. Quando soltar o manípulo de travão do motor, o motor para.

- Ligue o produto. Consulte *Arrancar o produto na página 417*.
- Solte o manípulo de travão do motor. (Fig. 25)
- Certifique-se de que o produto para. Se o motor não parar em 3 segundos, solicite o ajuste do travão do motor numa oficina Husqvarna autorizada.

Verificar o inibidor de arranque

Verifique o inibidor de arranque para se certificar de que este impede o funcionamento do motor.

1. Empurre o manípulo de travão do motor no sentido da barra de direção. O inibidor de arranque para o movimento.
2. Empurre o inibidor de arranque para fora. (Fig. 26)
3. Solte o inibidor de arranque e certifique-se de que este volta à respetiva posição inicial.

Segurança da bateria



ATENÇÃO: Leia todas as instruções gerais e de segurança. O incumprimento das instruções gerais e de segurança poderá resultar em choques elétricos, incêndios e/ou ferimentos graves. **Guarde todas as informações de segurança e instruções gerais para referência futura.**

- **Estas instruções de segurança aplicam-se apenas a baterias de íões de lítio de 18 V recarregáveis para o sistema POWER FOR ALL.**
- **Utilize a bateria recarregável apenas em produtos de parceiros do sistema POWER FOR ALL.** As baterias recarregáveis de 18 V com a indicação POWER FOR ALL são totalmente compatíveis com os seguintes produtos:
 - Todos os produtos do sistema de baterias POWER FOR ALL de 18 V.
 - Todos os produtos de 18 V de parceiros do sistema POWER FOR ALL.
- **Respeite as recomendações para a bateria no manual de funcionamento do produto.** Só assim a bateria recarregável e o produto podem ser utilizados sem perigo e as baterias recarregáveis estão protegidas contra sobrecargas perigosas.
- **Carregue as baterias apenas com carregadores recomendados pelo fabricante ou por parceiros do sistema POWER FOR ALL.** Um carregador adequado para um tipo de bateria pode representar um risco de incêndio quando utilizado com uma bateria diferente.
- **A bateria é fornecida parcialmente carregada.** Para garantir a capacidade total da bateria, carregue completamente a bateria no carregador antes de utilizar a ferramenta elétrica pela primeira vez.
- **Mantenha as baterias fora do alcance de crianças.**
- **Não abra a bateria.** Existe um risco de curto-circuito.
- **Em caso de danos e utilização inadequada da bateria, pode ocorrer a emissão de vapores. A bateria pode incendiar ou explodir.** Certifique-se de que a área está bem ventilada e procure assistência médica caso sinta quaisquer efeitos adversos. Os vapores podem provocar a irritação do sistema respiratório.
- **Se o produto for utilizado incorretamente ou se a bateria estiver danificada, pode ser vertido líquido inflamável da bateria. O contacto com este líquido deve ser evitado. Se ocorrer algum contacto accidental, lave com água. Se o líquido entrar em contacto com os olhos, procure assistência médica adicional.** O líquido vertido da bateria pode provocar irritações ou queimaduras.
- **Se a bateria estiver danificada, o líquido pode ser vertido e revestir as superfícies próximas. Verifique as peças afetadas.** Limpe as respetivas peças ou substitua-as, se necessário.
- **Não provoque um curto-circuito da bateria. Quando a bateria não estiver a ser utilizada, mantenha-a afastada de outros objetos metálicos, como clips, moedas, chaves, pregos, parafusos ou outros objetos metálicos pequenos que possam fazer a ligação entre os dois terminais.** Provocar curto-circuitos nos terminais das baterias pode provocar queimaduras ou um incêndio.
- **A bateria pode ser danificada por objetos pontiagudos, como pregos ou chaves de parafusos, ou por força aplicada externamente.** Pode ocorrer um curto-circuito interno, provocando a combustão, a libertação de fumos, a explosão ou o sobreaquecimento da bateria.
- **Nunca efetue a manutenção de baterias danificadas.** A manutenção das baterias deve ser efetuada apenas pelo fabricante ou por prestadores de serviços autorizados.
- **Proteja a bateria de calor, por exemplo, contra luz solar intensa e contínua, fogo, sujidade, água e humidade.** Existe um risco de explosão e curto-circuito.
- **Utilize a bateria do produto apenas quando a temperatura ambiente se encontrar entre 0 °C – +40 °C.**
- **Apenas armazene a bateria a uma temperatura ambiente entre -20 °C – +50 °C.** Não deixe a bateria no seu automóvel durante o verão, por exemplo. A temperaturas < 0 °C, alguns dispositivos podem sofrer uma perda de potência.
- **Apenas carregue a bateria a uma temperatura ambiente entre 0 °C e +35 °C. Apenas carregue a bateria recarregável com um cabo USB a uma temperatura ambiente entre +10 °C e +35 °C.** Efetuar um carregamento fora deste intervalo de temperatura pode aumentar o risco de danos na bateria e constituir um perigo de incêndio.

Segurança do carregador de bateria



ATENÇÃO: Leia todas as instruções gerais e de segurança. O incumprimento das instruções gerais e de segurança poderá resultar em choques elétricos, incêndios e/ou ferimentos graves. **Guarde estas instruções num local seguro.** Utilize o carregador apenas se conseguir avaliar completamente todas as funções e executá-las sem restrições ou se tiver recebido instruções em conformidade.

- **Este carregador não pode utilizado por crianças ou por pessoas com limitações físicas, sensoriais ou mentais, ou com falta de experiência ou conhecimentos. Este carregador pode ser utilizado por crianças com idade igual ou superior a 8 anos e por pessoas que tenham limitações físicas, sensoriais ou mentais ou com falta de experiência ou conhecimentos se uma pessoa responsável pela sua segurança estiver a supervisionar ou tiver fornecido instruções relativamente ao funcionamento seguro do carregador e se tiverem compreendido os perigos associados.** Caso contrário, existe um risco de erros de funcionamento e ferimentos.
- **Supervisione as crianças durante a respetiva utilização, limpeza e manutenção.** Tal irá garantir que as crianças não brincam com o carregador.
- **Carregue apenas baterias do sistema POWER FOR ALL de 18 V com uma capacidade de 1,5 Ah.** A tensão da bateria deve corresponder à tensão de carregamento da bateria do carregador. Não

carregue quaisquer baterias não recarregáveis.

Caso contrário, existe um risco de incêndio e explosão.

- **Utilize o carregador apenas em espaços fechados e não o exponha a condições húmidas.** A entrada de água numa ferramenta elétrica aumenta o risco de choque elétrico.
- **Mantenha o carregador limpo.** A sujidade constitui um risco de choque elétrico.
- **Verifique sempre o carregador, o cabo e a ficha antes da respetiva utilização. Interrompa a utilização do carregador se detetar quaisquer danos. Não abra o carregador pessoalmente e solicite a sua reparação apenas pela Husqvarna ou por um centro de serviço de pós-venda autorizado que utilize unicamente peças de substituição originais.** Os carregadores, os cabos e as fichas danificados aumentam o risco de choque elétrico.
- **Não utilize o carregador sobre uma superfície facilmente inflamável (por exemplo, papel, têxteis, etc.) ou num ambiente inflamável.** Existe um risco de incêndio devido ao aquecimento do carregador durante o funcionamento.
- **Não cubra as aberturas de ventilação do carregador.** Caso contrário, o carregador pode sobreaquecer e deixar de funcionar corretamente.
- **Recarregue a bateria apenas com o carregador especificado pelo fabricante.** Um carregador adequado para um tipo de bateria pode criar risco de incêndio quando usado com outra bateria.
- **Em caso de danos e utilização inadequada da bateria, pode ocorrer igualmente a emissão de vapores.** Certifique-se de que a área está bem ventilada e procure assistência médica caso sinta quaisquer efeitos adversos. Os vapores podem provocar a irritação do sistema respiratório.
- **Em condições extremas, é possível que o líquido seja vertido da bateria. O contacto com este líquido deve ser evitado. Se ocorrer algum contacto accidental, lave com água. Se o líquido entrar em contacto com os olhos, procure assistência médica adicional.** O líquido vertido da bateria pode provocar irritações ou queimaduras.
- **Produtos vendidos apenas na Grã-Bretanha:** O seu produto está equipado com uma ficha elétrica com aprovação BS 1363/A com fusível interno (aprovação ASTA em conformidade com BS 1362). Se a ficha não for adequada para as suas saídas de tomada, esta deve ser cortada, sendo instalada no seu lugar uma ficha apropriada por uma oficina de assistência ao cliente autorizada. A ficha de

substituição deve apresentar a mesma classificação de fusível que a ficha original. A ficha cortada deve ser eliminada para evitar um possível perigo de choque e nunca deve ser introduzida numa tomada de parede noutra local.

Instruções de segurança para manutenção



ATENÇÃO: Leia as instruções de aviso que se seguem antes de utilizar o produto.

- Para evitar um arranque accidental durante a manutenção, rode a chave de segurança para a posição 0 e retire a bateria. Aguarde pelo menos 5 segundos antes de começar a manutenção.
- Efetue apenas os trabalhos de manutenção indicados neste manual do operador. As intervenções maiores e as reparações profissionais têm de ser efetuadas por uma oficina autorizada. Para mais informações, contacte a sua oficina autorizada.
- Efetue os trabalhos de manutenção corretamente para aumentar a vida útil do produto e reduzir o risco de acidentes.
- Substitua as peças danificadas, gastas ou partidas. Utilize peças sobresselentes originais do fabricante. Outras peças sobresselentes podem causar danos no produto e aumentar o risco de acidentes.
- Para evitar a ocorrência de ferimentos, não remova os dispositivos de segurança, nem os modifique.
- Calce luvas resistentes quando utilizar o equipamento de corte. A lâmina é muito afiada e pode facilmente provocar cortes.
- Mantenha as extremidades cortantes afiadas e limpas para garantir um desempenho melhor e mais seguro.
- Solicite à sua oficina autorizada a inspeção regular do produto e a realização dos ajustes e reparações necessários.
- Cumpra as instruções relativas à substituição dos acessórios. Utilize apenas os acessórios do fabricante.
- Quando não estiverem em funcionamento, mantenha o produto, a bateria e carregador da bateria afastados num local seco, interior e fechado à chave. Certifique-se de que as crianças e as pessoas não autorizadas não conseguem ter acesso ao produto, à bateria ou ao carregador da bateria.

Montagem

Introdução



ATENÇÃO: Antes de montar o produto, leia o capítulo sobre segurança.



ATENÇÃO: Para evitar um arranque accidental durante a montagem, rode a chave de segurança para a posição 0, retire a bateria e aguarde pelo menos 5 segundos.

Ajustar a altura do punho

O produto dispõe de um intervalo livre de ajuste da altura do punho. A altura do punho pode ser definida para uma altura aplicável entre 2 pontos de ajuste.

1. Coloque o produto na posição de funcionamento. Consulte *Colocar o produto na posição de funcionamento na página 415*.
2. Rode os manípulos de bloqueio das barras de direção para a esquerda. (Fig. 27)
3. Puxe as barras de direção para uma posição adequada.
4. Coloque as 2 barras de direção ao mesmo nível.



CUIDADO: Se as barras de direção não estiverem ao mesmo nível, o produto ficará danificado.

5. Rode os manípulos de bloqueio das barras de direção para a direita.
6. Aperte totalmente os manípulos de bloqueio.

Instalar o coletor de relva

1. Levante a cobertura traseira.
2. Remova o tampão de trituração.
3. Prenda o coletor de relva à extremidade superior do chassis.
4. Coloque a parte inferior do coletor de relva contra o canal de descarga da relva. (Fig. 28)



CUIDADO: Certifique-se de que o coletor de relva está corretamente vedado no chassis do produto.

Instalar o tampão de trituração

1. Levante a cobertura traseira e retire o coletor de relva.
2. Empurre o tampão de trituração para o interior do canal de descarga até ouvir um clique. (Fig. 29)

Instalar o gancho na parede

- Instale o gancho no interior.
- Mantenha o gancho afastado da exposição à luz solar e a uma temperatura ambiente de $-10\text{ }^{\circ}\text{C}$ a $+70\text{ }^{\circ}\text{C}$.
- Instale o gancho numa parede de gesso, madeira ou betão.



CUIDADO: Certifique-se de que a parede consegue suportar cargas de, no mínimo, 30 kg.

- Instale o gancho na parede com os 3 parafusos (A). Utilize buchas (B), se necessário. (Fig. 30)



CUIDADO: Certifique-se de que os parafusos são aplicáveis ao seu tipo de parede.

- Contacte a oficina autorizada da Husqvarna para obter informações sobre os acessórios de armazenamento disponíveis para o seu produto.

Funcionamento

Introdução



ATENÇÃO: Antes de utilizar o produto, tem ler e compreender o capítulo sobre segurança.

Husqvarna Connect

A Husqvarna Connect é uma aplicação gratuita para o seu dispositivo móvel. A aplicação Husqvarna Connect disponibiliza funções alargadas para o seu produto Husqvarna:

- Informações alargadas sobre o produto.
- Informações sobre, e ajuda relacionada com peças e manutenção do produto.

Começar a utilizar o Husqvarna Connect

1. Transfira a aplicação Husqvarna Connect para o seu dispositivo móvel.

2. Registe-se na aplicação Husqvarna Connect.
3. Siga os passos das instruções na aplicação Husqvarna Connect para ligar e registar o produto.

Nota: A aplicação Husqvarna Connect não está disponível para transferência em todos os mercados. Para mais informações, contacte o revendedor com assistência técnica.

Colocar o produto na posição de funcionamento

1. Rode os manípulos do punho para a posição de desbloqueio. (Fig. 31)
2. Desloque o punho para trás até ouvir um clique. (Fig. 32)



CUIDADO: Certifique-se de que não existe demasiada tensão nos cabos. Uma tensão demasiado elevada

pode provocar danos no cabo se a barra estiver dobrada na posição de transporte.



ATENÇÃO: Certifique-se de que o punho está totalmente deslocado para trás e na posição de bloqueio.

3. Ajuste a altura do punho. Consulte *Ajustar a altura do punho na página 415*.

Definir a altura de corte

1. Mova a alavanca da altura de corte para trás para aumentar a altura de corte.
2. Mova a alavanca da altura de corte para a frente para diminuir a altura de corte. (Fig. 33)



CUIDADO: Não regule a altura de corte demasiado baixa. As lâminas podem entrar em contacto com o solo se a superfície do relvado não estiver nivelada.

Bateria



ATENÇÃO: Antes de utilizar a bateria, tem de ler e compreender o capítulo sobre segurança. Deve também ler e compreender o manual do utilizador da bateria e do carregador de bateria.

Mantenha a bateria e o respetivo carregador de bateria a temperaturas ambiente corretas.

| | Temperatura ambiente |
|-------------------------------------|----------------------|
| Funcionamento da bateria no produto | 0 °C – +40 °C |
| Carregamento da bateria | 0 °C – +35 °C |

Carregar a bateria

Carregue a bateria antes da primeira utilização.

Nota: O processo de carregamento só é possível quando a temperatura da bateria se encontra dentro do intervalo de temperatura de carregamento permitido (0–45 °C).

1. Ligue o cabo de alimentação do carregador de bateria a uma tomada de alimentação com ligação à terra.



CUIDADO: Certifique-se de que a tomada de alimentação possui a tensão e frequência corretas.

2. Coloque a bateria no carregador da bateria. A bateria está ligada ao carregador de bateria quando o LED verde pisca. (Fig. 34)
3. A bateria está totalmente carregada quando o LED verde no carregador de bateria está aceso. Carregue a bateria no máximo durante 24 horas.
4. Desligue o carregador de bateria da tomada de alimentação.



CUIDADO: Não puxe o cabo de alimentação.

5. Retire a bateria do carregador da bateria.

LED de estado da bateria no carregador de bateria

O LED vermelho (A) e o LED verde (B) no carregador de bateria indicam o estado da bateria. Consulte *Resolução de problemas do carregador de bateria na página 419*.

(Fig. 35)

| LED | Estado da bateria |
|-----------------------------------|---|
| O LED verde pisca rapidamente. | A bateria está a carregar. |
| O LED verde pisca lentamente. | A bateria tem uma carga de 80%. |
| O LED verde está aceso. | A bateria está totalmente carregada. |
| O LED vermelho está aceso. | Consulte <i>Resolução de problemas do carregador de bateria na página 419</i> . |
| O LED vermelho pisca rapidamente. | Consulte <i>Resolução de problemas do carregador de bateria na página 419</i> . |

LED de estado da bateria no produto

Quando a bateria é instalada no produto, os LED incluídos no produto indicam o estado da bateria.

(Fig. 36)

| LED | Estado da bateria |
|--|--------------------------------|
| O LED 1, o LED 2 e o LED 3 estão acesos. | Totalmente carregada. |
| O LED 1 e o LED 2 estão acesos. | Carga suficiente |
| O LED 1 está aceso. | A potência da bateria é baixa. |

| LED | Estado da bateria |
|----------------|---|
| O LED 1 pisca. | A bateria está descarregada. O indicador de estado da bateria pisca. Carregue a bateria. Consulte <i>Carregar a bateria na página 416</i> . |

Arrancar o produto

1. Abra a tampa da bateria.
2. Coloque uma bateria carregada no respetivo suporte.
3. Rode a chave de segurança para a posição 1. (Fig. 37)
4. Mantenha-se atrás do produto.
5. Desaperte o inibidor de arranque. (Fig. 26)
6. Empurre o punho do travão do motor no sentido da barra de direção. (Fig. 38)

Função de carga elevada

Quando o produto estiver a cortar relva alta ou molhada, o motor aumenta automaticamente as rpm. O motor regressa ao modo padrão quando não houver carga elevada.

Paragem do motor

Durante o funcionamento, a lâmina e o motor podem parar temporariamente devido a obstáculos, tais como obstruções de relva por baixo da cobertura de corte. Consulte *Limpar o produto na página 418*.



ATENÇÃO: Antes de verificar a cobertura de corte, solte o punho do travão do motor, rode a chave de segurança para a posição 0, remova a bateria e aguarde, no mínimo, 5 segundos. Existe o risco de

ferimentos se o obstáculo for removido e o produto arrancar acidentalmente.

Parar o produto



ATENÇÃO: Rode a chave de segurança para a posição 0 antes de deixar o produto fora de vista.

1. Solte o punho do travão do motor para parar o motor. (Fig. 39)
2. Abra a tampa da bateria e rode a chave de segurança para a posição 0. (Fig. 40)
3. Para remover a bateria, prima o botão de libertação e retire a bateria. (Fig. 41)
4. Carregue a bateria se estiver fraca. Para mais informações, consulte *Carregar a bateria na página 416*.

Para obter bons resultados

- Utilize sempre uma lâmina bem afiada. Uma lâmina romba produz um resultado irregular e a superfície de corte da relva fica amarela. Uma lâmina afiada também gasta menos energia que uma lâmina romba.
- Não corte mais do que $\frac{1}{3}$ do comprimento da relva. Corte primeiro com a altura de corte alta. Examine o resultado e reduza a altura de corte para um nível aplicável. Caso a relva esteja muito comprida, avance lentamente e corte duas vezes, se necessário.
- Corte em diferentes direções de cada vez, para evitar a formação de linhas no relvado.
- Mantenha a cobertura de corte limpa. A acumulação de relva e sujidade no lado interior da cobertura de corte pode diminuir o resultado de corte. Consulte *Limpar o produto na página 418*.

Manutenção

Introdução



ATENÇÃO: Antes de efetuar a manutenção, tem de ler e compreender o capítulo sobre segurança.

É necessária formação especial para realizar qualquer tarefa de manutenção ou reparação. Garantimos a disponibilidade de reparações e manutenção profissionais. Se o seu revendedor não for uma oficina autorizada, pergunte-lhes onde se situa a oficina autorizada mais próxima.

Para obter informações mais detalhadas, consulte www.husqvarna.com.

Esquema de manutenção

Os intervalos de manutenção são calculados a partir da utilização diária do produto. Os intervalos são alterados se o produto não for utilizado diariamente.

Para manutenção identificada com *, consulte as instruções em *Segurança na página 408*.

| | A cada utilização | Mensalmente | A cada estação |
|--|-------------------|-------------|----------------|
| Proceda a uma inspeção geral. | X | | |
| Limpe o produto. | X | | |
| Verifique o inibidor de arranque. * | X | | |
| Certifique-se de que os dispositivos de segurança do produto não estão danificados. * | X | | |
| Examine o equipamento de corte. | X | | |
| Examine a cobertura de corte. * | X | | |
| Verifique o punho do travão do motor. * | X | | |
| Examine se a bateria apresenta sinais de danos. | X | | |
| Verifique a carga da bateria. | X | | |
| Certifique-se de que o botão de libertação da bateria funciona corretamente e de que a bateria bloqueia no produto. | X | | |
| Verifique a existência de danos no carregador de bateria e certifique-se de este que funciona corretamente. | | X | |
| Verifique as ligações entre a bateria e o produto. Verifique também a ligação entre a bateria e o carregador de bateria. | | | X |

Para efetuar uma inspeção geral

- Certifique-se de que as porcas e os parafusos do produto estão apertados.
- Certifique-se de que os cabos no produto não estão numa posição suscetível a danos.

Limpar o produto

- Limpe os componentes plásticos com um pano seco e limpo.
- Não utilize água para limpar o produto. A água pode entrar na bateria ou no motor, provocando um curto-circuito ou danos no produto.
- Não utilize uma máquina de lavar à pressão para limpar o produto.
- Não verta água diretamente no motor.
- Utilize uma escova para remover folhas, relva e sujidade.

Limpar a bateria e o carregador de bateria



ATENÇÃO: Não limpe a bateria nem o carregador de bateria com água.



ATENÇÃO: Não utilize substâncias químicas para limpar a bateria.

- Certifique-se de que a bateria e o carregador de bateria estão limpos e secos antes de colocar a bateria no carregador de bateria.
- Limpe os terminais da bateria com ar comprimido ou com um pano macio e seco.
- Limpe as superfícies da bateria e o carregador de bateria com um pano macio e seco.

Para examinar o equipamento de corte



ATENÇÃO: Para evitar um arranque acidental, rode a chave de segurança para a posição 0, retire a bateria e aguarde pelo menos 5 segundos.



ATENÇÃO: Use luvas de proteção quando realizar a manutenção do equipamento de corte. A lâmina é muito afiada e pode facilmente provocar cortes.

1. Examine se o equipamento de corte está danificado ou se apresenta fissuras. Substitua sempre um equipamento de corte danificado.
2. Olhe para a lâmina para verificar se está danificada ou romba.

Nota: É necessário estabilizar a lâmina depois de ser afiada. Afie, substitua e estabilize a lâmina numa oficina especializada. Se atingir um obstáculo que faça o produto parar, substitua a lâmina danificada. Um

centro de assistência deve avaliar se a lâmina pode ser afiada ou se tem de ser substituída.

Substituir a lâmina

Consulte *Especificações técnicas na página 423* para saber qual o tipo de lâmina correto.



ATENÇÃO: Bloqueie a lâmina com um bloco de madeira para evitar ferimentos nos dedos quando substituir a lâmina. A lâmina pode ser deslocada quando o motor está desligado e os dedos podem ficar presos entre a lâmina e as peças fixas.

1. Bloqueie a lâmina com um bloco de madeira. (Fig. 42)
2. Remova o parafuso da lâmina.
3. Retire a lâmina.
4. Examine o suporte e o parafuso da lâmina para verificar se existem danos.

5. Examine o eixo do motor para se certificar de que não se encontra dobrado.
6. Quando colocar a lâmina nova, aponte as extremidades angulares da lâmina na direção da cobertura de corte. (Fig. 43)
7. Certifique-se de que a lâmina está alinhada com a parte central do eixo do motor.
8. Bloqueie a lâmina com um bloco de madeira. Prenda a anilha de pressão e aperte o parafuso e a anilha com um binário de 23-28 Nm. (Fig. 44)
9. Faça rodar a lâmina com a mão de modo a assegurar-se de que roda livremente.



ATENÇÃO: Use luvas resistentes. A lâmina é muito afiada e pode facilmente provocar cortes.

10. Ligue o produto para testar a lâmina. Se a lâmina não estiver corretamente ligada, o produto vibra ou o resultado de corte não é satisfatório.

Resolução de problemas

Resolução de problemas do carregador de bateria

| LED no carregador de bateria | Causa | Solução |
|---|---|--|
| O LED verde está aceso e o LED vermelho pisca. | A bateria não está corretamente instalada no carregador de bateria. | Remova a bateria do carregador e instale-a novamente no carregador de bateria. |
| | Os conetores da bateria estão sujos. | Limpe os conetores da bateria. |
| | O carregador identificou um erro interno. | Certifique-se de que todas as baterias estão completamente inseridas. Retire a ficha de alimentação e volte a introduzir. Se o erro ocorrer novamente, solicite a verificação do carregador a um centro de serviço de pós-venda para produtos Husqvarna. |
| | A bateria está com defeito. | Substitua a bateria. |
| O LED vermelho está aceso e o LED verde está desligado. | A temperatura da bateria está fora do intervalo de carregamento. | Aguarde até que a temperatura da bateria volte a estar dentro do intervalo de temperatura de carregamento permitido (0–45 °C). |

| LED no carregador de bateria | Causa | Solução |
|--|---|--|
| O LED verde e o LED vermelho estão apagados. | O carregador de bateria não está corretamente ligado à tomada de alimentação. | Ligue o carregador de bateria a uma tomada de alimentação. |
| | A tomada de alimentação está avariada. | Ligue o carregador de bateria a uma rede elétrica com tensão e frequência que estejam especificadas na etiqueta de tipo. |
| | O cabo do carregador de bateria apresenta defeito. | Contacte uma oficina autorizada. |
| | O carregador de bateria apresenta defeito. | |
| Outros erros. | Se ocorrerem outros erros, certifique-se de que o produto está desligado, remova a bateria e contacte uma oficina autorizada. | |

Resolução de problemas do corta-relva

O indicador de aviso (LED de erro) encontra-se na parte traseira do produto, atrás da tampa da bateria.

| Problema | LED de erro (número de intermitências) | Causa | Solução |
|--|--|--|---|
| LED de erro intermitente. O produto não funciona corretamente. | 5 | A lâmina está bloqueada. | Rode a chave de segurança para a posição 0 para evitar um arranque acidental. Retire a bateria e aguarde, no mínimo, 5 segundos. Retire possíveis obstáculos e certifique-se de que a lâmina consegue rodar livremente. Se o problema persistir, contacte uma oficina autorizada. |
| | | A rotação do motor desce demasiado e o motor para. | Aumente a altura de corte. Consulte <i>Definir a altura de corte na página 416</i> . |
| | 10 | O controlo do motor está demasiado quente. | Desligue o motor e aguarde até arrefecer. |

| Problema | LED de erro (número de intermitências) | Causa | Solução |
|---|--|--|---|
| LED de erro intermitente. O produto para. | 22 | A temperatura da bateria está demasiado elevada porque a temperatura no ambiente de trabalho está demasiado elevada. | Retire a bateria da máquina e aguarde que arrefeça antes de ligar novamente a máquina. Certifique-se de que a temperatura ambiente está correta. Utilize a bateria a temperaturas entre 0 °C e +40 °C. Se o problema persistir, contacte uma oficina aprovada. |
| | | A temperatura da bateria está demasiado elevada porque existe sobrecarga no motor | Aumente a altura de corte. Consulte <i>Definir a altura de corte na página 416</i> . Se o problema persistir, contacte uma oficina autorizada. |
| | 0 | Avaria do conetor da bateria. | Examine o conetor da bateria. |
| | 3 | Existe uma sobrecarga no motor. | Aumente a altura de corte. Consulte <i>Definir a altura de corte na página 416</i> . |
| | 9 | Bateria com erro ou sem sinal. | Coloque a bateria no produto corretamente e examine o conetor da bateria. Se o LED de erro da bateria ficar intermitente, consulte <i>Resolução de problemas do carregador de bateria na página 419</i> . Se o problema persistir, contacte uma oficina autorizada. |
| | 8 | A bateria está fraca. | Carregue a bateria. Consulte <i>Carregar a bateria na página 416</i> . |
| | 12 | Procedimento de arranque incorreto. O punho do travão do motor foi engatado antes de o motor arrancar. | Solte o punho do travão do motor e aguarde cerca de 5 segundos. Empurre novamente o punho do travão do motor para baixo para ligar o produto. |
| Outros erros. | Se ocorrerem outros erros, rode a chave de segurança para a posição 0, retire a bateria e contacte uma oficina autorizada. | | |

Transporte, armazenamento e eliminação

Introdução



ATENÇÃO: Para evitar um arranque acidental durante o transporte e armazenamento, rode a chave de segurança para a posição 0, remova a bateria e aguarde, pelo menos, 5 segundos.

- Empurre o punho na direção da cobertura traseira.
- Rode os manípulos de bloqueio do punho para a direita, para a posição de bloqueio.
- Rode os manípulos do punho para a posição de desbloqueio. (Fig. 46)
- Desloque o punho para a frente até ouvir um clique. (Fig. 47)

Colocar o produto na posição de transporte

- Remova o coletor de relva e certifique-se de que está vazio.
- Rode os manípulos de bloqueio do punho para a esquerda, para a posição de desbloqueio. (Fig. 45)

Consulte *Colocar o produto na posição de armazenamento na página 422* para armazenar o produto.

Transporte

- Os requisitos da legislação sobre mercadorias perigosas aplicam-se às baterias de íões de lítio incluídas.
- Para um transporte comercial, é necessário cumprir os requisitos especiais na embalagem e nas etiquetas.
- Quando preparar o produto para transporte, certifique-se de que cumpre os regulamentos sobre mercadorias perigosas. Podem aplicar-se normas locais.
- Retire sempre a bateria para transporte.
- Coloque fita adesiva nos conectores da bateria e certifique-se de que a bateria não pode mover-se durante o transporte.
- Prenda o produto durante o transporte.

Armazenamento

- Antes do armazenamento, deixe o produto arrefecer.
- Retire sempre a bateria durante o armazenamento.
- Para evitar acidentes, certifique-se de que a bateria não está ligada ao produto durante o armazenamento.
- Armazene o carregador de bateria apenas em espaços interiores secos.
- Armazene a bateria e o carregador de bateria num local seco, sem humidade nem gelo.
- Desligue a bateria do carregador de bateria durante o armazenamento.
- Não armazene a bateria num local onde possa haver eletricidade estática. Não armazene a bateria numa caixa metálica.
- Armazene o produto num local onde a temperatura ambiente se encontre entre $-20\text{ }^{\circ}\text{C}$ e $+50\text{ }^{\circ}\text{C}$.
- Armazene a bateria num local onde a temperatura ambiente varie entre $-20\text{ }^{\circ}\text{C}$ e $+50\text{ }^{\circ}\text{C}$ e onde não fique exposta à luz solar.
- Armazene o carregador de bateria num local seco, fechado e sem gelo.
- Antes de armazenar a bateria durante longos períodos de tempo, certifique-se de que esta está limpa e carregada.
- Mantenha o produto, a bateria e o carregador de bateria num local fechado à chave, fora do alcance de crianças e de pessoas não autorizadas.
- Limpe o produto e certifique-se de que o coletor de relva está vazio.
- Realize os procedimentos de manutenção indicados neste manual do utilizador. Consulte *Manutenção na página 417*.
- Antes de armazenar o produto durante longos períodos de tempo, efetue uma manutenção completa do mesmo.

Colocar o produto na posição de armazenamento



ATENÇÃO: Para evitar um arranque acidental durante o transporte e armazenamento, rode a chave de segurança para a posição 0, remova a bateria e aguarde, pelo menos, 5 segundos.

1. Retire a bateria.
2. Coloque o produto na posição de transporte. Consulte *Colocar o produto na posição de transporte na página 421*.
3. Mova o produto para o local de armazenamento.

Armazenar o produto horizontalmente no solo

1. Coloque o produto na posição de armazenamento. Consulte *Colocar o produto na posição de armazenamento na página 422*.
2. Fixe o coletor de relva. Consulte *Fixar o coletor de relva na página 423*.
3. Armazene o produto horizontalmente no solo. (Fig. 48)

Armazenar o produto verticalmente no solo

1. Coloque o produto na posição de armazenamento. Consulte *Colocar o produto na posição de armazenamento na página 422*.
2. Eleve o produto pelos pontos de elevação no punho e coloque o produto na vertical sobre uma superfície plana. (Fig. 49)



ATENÇÃO: Não eleve o produto pela cobertura de corte. A lâmina é muito afiada e pode facilmente provocar cortes.

3. Fixe o coletor de relva. Consulte *Fixar o coletor de relva na página 423*.
4. Certifique-se de que o produto está estável e de que as 2 pernas de suporte entram em contacto com o solo.
5. Armazene o produto verticalmente no solo. (Fig. 50)

Armazenar o produto verticalmente no gancho fornecido



ATENÇÃO: Pendure o produto na parede apenas com o gancho fornecido.

1. Instale o gancho fornecido. Consulte *Instalar o gancho na parede na página 415*.
2. Coloque o produto na posição de armazenamento. Consulte *Colocar o produto na posição de armazenamento na página 422*.

3. Eleve o produto pelos pontos de elevação no punho. (Fig. 49)



ATENÇÃO: Não eleve o produto pela cobertura de corte. A lâmina é muito afiada e pode facilmente provocar cortes.

4. Pendure o produto verticalmente no gancho fornecido. Consulte *Instalar o gancho na parede na página 415*. (Fig. 51)
5. Certifique-se de que o produto fica pendurado corretamente e estável nas 2 hastes do gancho.
6. Fixe o coletor de relva. Consulte *Fixar o coletor de relva na página 423*.

Fixar o coletor de relva

1. Fixe o coletor de relva na ranhura situada na parte dianteira do produto. (Fig. 52)
2. Empurre a parte inferior do coletor de relva contra o ponto de elevação até ouvir um clique. (Fig. 53)

Eliminação

Os símbolos no produto ou na respetiva embalagem indicam que este produto não deve ser tratado como

um resíduo doméstico. Tem de ser enviado para uma estação de reciclagem adequada para a recuperação de equipamentos elétricos e eletrônicos.

Ao garantir que este produto é tratado corretamente, pode ajudar a neutralizar o potencial impacto negativo sobre o meio ambiente e as pessoas, que de outra forma pode resultar da gestão incorreta dos resíduos deste produto. Para informações mais detalhadas sobre a reciclagem deste produto, contacte o seu município, o serviço de recolha de resíduos domésticos ou a loja onde adquiriu o produto.

(Fig. 54)

Apenas para os países da UE: De acordo com a Diretiva 2006/66/CE, as baterias com defeito ou usadas devem ser recolhidas separadamente e eliminadas de forma ecológica.

Apenas para o Reino Unido: De acordo com os regulamentos relativos a resíduos de pilhas e acumuladores de 2009 (SI 2009/890) (conforme alterado), as baterias que já não são utilizáveis têm de ser recolhidas separadamente e eliminadas de forma ecológica.

Especificações técnicas

Especificações técnicas

| Aspire LC34-P4A | |
|--|----------------------------|
| Motor de corte | |
| Tipo de motor | BLDC (sem escovas) de 18 V |
| Rotação do motor – nominal, rpm | 3000 |
| Rotação do motor – carga elevada, rpm | 3500 |
| Potência do motor – máx. kW | 0,7 |
| Potência do motor – nominal, kW | 0,5 |
| Motor direto | |
| Potência do motor – nominal, kW | N/A |
| Velocidade de autodeslocação, km/h | N/A |
| Níveis de regulação de velocidade | N/A |
| Peso | |
| Peso sem saco (excl. bateria), kg | 11,5 |
| Peso com saco (incl. 1 P4A 18-B72), kg | 13,5 |
| Bateria | |
| Tipo de bateria | lões de lítio |
| Tempo de funcionamento da bateria | |

| | |
|--|------------------------|
| | Aspire LC34-P4A |
| Tempo de funcionamento da bateria, min ⁷³ | 60 |
| Emissões de ruído ⁷⁴ | |
| Nível de potência sonora, medido dB (A) | 86 |
| Nível de potência sonora, garantido L _{WA} dB (A) | 87 |
| Níveis sonoros ⁷⁵ | |
| Nível de pressão sonora ao nível do ouvido do utilizador, dB (A) | 74 |
| Níveis de vibração ⁷⁶ | |
| Punho, m/s ² | 0,5 |
| Equipamento de corte | |
| Altura de corte, mm | 30–65 |
| Largura de corte, cm | 34 |
| Lâmina padrão | Combi 5375561-10 |
| Acessório da lâmina | N/A |
| Capacidade do coletor de relva, l | 30 |

Baterias aprovadas

recomenda-se a utilização de baterias com 4,0 Ah, no mínimo.

Este produto pode ser utilizado com todas as baterias **POWER FOR ALL**. Para um melhor desempenho,

| Bateria | P4A 18-B45 | P4A 18-B72 |
|-----------------------------------|---------------|---------------|
| Tipo | lões de lítio | lões de lítio |
| Capacidade da bateria, Ah | 2,5 | 4,0 |
| Tensão nominal, V | 18 | 18 |
| Peso, kg | 0,35 | 0,65 |
| Número de células (iões de lítio) | 5 | 10 |

Carregadores de bateria aprovados

| Carregador de bateria | P4A 18-C70 |
|-----------------------|------------|
| Tensão de entrada, V | 220–240 |
| Frequência, Hz | 50-60 |

⁷³ (operação livre) com o modo padrão ativado, com uma bateria Husqvarna de 4,0 Ah (P4A 18-B72).

⁷⁴ Emissões de ruído para as imediações, medidas sob forma de potência sonora (L_{WA}) em conformidade com a diretiva da CE 2000/14/CE.

⁷⁵ Os dados comunicados relativamente ao nível de pressão sonora têm um fator de incerteza (K) de 1,5 dB(A).

⁷⁶ Os dados comunicados relativamente ao nível de vibração têm um fator de incerteza (K) de 1,5 m/s². O valor total de vibração declarado foi medido em conformidade com a norma EN 62841-4-3, Anexo I, e pode ser utilizado para comparar uma máquina com outra e numa avaliação preliminar da exposição.

| | |
|------------------------------|-------------------|
| Carregador de bateria | P4A 18-C70 |
| Potência, W | 70 |

Declaração de conformidade

Declaração UE de conformidade

A **Husqvarna AB**, SE-561 82 Huskvarna, Suécia,
tel.: +46-36-146500, declara, sob sua inteira
responsabilidade, que o produto:

| | |
|----------------------|--|
| Descrição | Corta-relva |
| Marca | Husqvarna |
| Tipo/Modelo | Aspire LC34-P4A |
| Identificação | Números de série referentes a 2022 e posteriores |

está em plena conformidade com as seguintes diretivas
e regulamentos da UE:

| Regulamento | Descrição |
|--------------------|--|
| 2006/42/CE | "relativa a máquinas" |
| 2014/30/UE | "relativa à compatibilidade eletromagnética" |
| 2000/14/CE | "relativa a emissões de ruído para o ambiente" |
| 2011/65/UE | "relativa à restrição do uso de determinadas substâncias perigosas em equipamento elétrico e eletrônico" |

e que as seguintes normas e/ou especificações
técnicas são aplicadas: EN 62841-1:2015/AC:2015, EN
IEC 62841-4-3:2021/A11:2021, EN ISO 12100:2010,
EN 55014-1:2021, EN 55014-2:2021, EN IEC
61000-6-2:2019, EN IEC 61000-6-3:2021, EN IEC
63000:2018

Entidade competente: 0404, RISE SMP Svensk
Maskinprovning AB, Box 4053, SE-904 03 Umeå,
Sweden atribuiu a certificação de conformidade com
a Diretiva 2000/14/CE do Conselho, procedimento de
avaliação de conformidade: Anexo VI.

Para mais informações sobre as emissões de ruído,
consulte *Especificações técnicas na página 423*.

Huskvarna, 2022-10-24



Claes Losdal, chefe de desenvolvimento/produtos de
jardinagem, Husqvarna AB

Responsável pela documentação técnica



Copyright © 2012–2020 STMicroelectronics

A garantia não cobre defeitos resultantes de utilização e desgaste normais, negligência, utilização defeituosa, reparação não autorizada ou de o aparelho de sucção ter sido ligado à tensão incorreta.

Todos os direitos reservados.

É permitida a redistribuição e utilização na forma binária ou código-fonte, com ou sem modificações, desde que sejam respeitadas as seguintes condições:

- As redistribuições do código fonte devem reproduzir o aviso de direitos de autor acima, esta lista de condições e a seguinte renúncia de responsabilidade.
- As redistribuições em formato binário devem reproduzir o aviso de direitos de autor acima, esta lista de condições e a seguinte renúncia de responsabilidade na documentação e/ou noutros materiais fornecidos com a distribuição.
- Nem o nome da STMicroelectronics nem os nomes dos respetivos colaboradores podem ser utilizados para apoiar ou promover produtos derivados deste software sem permissão expressa prévia por escrito.

ESTE SOFTWARE É FORNECIDO PELOS DETENTORES DOS DIREITOS DE AUTOR E COLABORADORES "TAL COMO ESTÁ" E SÃO RENUNCIADAS QUAISQUER GARANTIAS EXPRESSAS OU IMPLÍCITAS, INCLUINDO, MAS NÃO SE LIMITANDO A, GARANTIAS IMPLÍCITAS DE COMERCIALIZAÇÃO E ADEQUAÇÃO A UM DETERMINADO FIM. EM CIRCUNSTÂNCIA ALGUMA O DETENTOR DOS DIREITOS DE AUTOR OU COLABORADORES SERÃO RESPONSÁVEIS POR QUAISQUER DANOS DIRETOS, INDIRETOS, ACIDENTAIS, ESPECIAIS, EXEMPLARES OU CONSEQUENTES (INCLUINDO, MAS NÃO SE LIMITANDO A, AQUISIÇÃO DE BENS OU SERVIÇOS DE SUBSTITUIÇÃO; PERDA DE UTILIZAÇÃO, DADOS OU LUCROS, OU INTERRUPTÃO DO NEGÓCIO) SEJA QUAL FOR A CAUSA E AO ABRIGO DE QUALQUER TEORIA DE RESPONSABILIDADE, QUER SEJA CONTRATUAL, DE RESPONSABILIDADE OBJETIVA OU DELITUAL (INCLUINDO NEGLIGÊNCIA OU OUTRA) RESULTANTE DE QUALQUER FORMA DA UTILIZAÇÃO DESTES SOFTWARE, MESMO QUE TENHAM SIDO AVISADOS DA POSSIBILIDADE DE OCORRÊNCIA DE TAIS DANOS.

Licença Apache 2.0

Copyright © 2009-2019 Arm Limited. Todos os direitos reservados.

Versão 2.0, janeiro de 2004 <http://www.apache.org/licenses/>

TERMOS E CONDIÇÕES DE UTILIZAÇÃO, REPRODUÇÃO E DISTRIBUIÇÃO

1. Definições.

"Licença" refere-se aos termos e condições de utilização, reprodução e distribuição definidos nas Secções 1 a 9 do presente documento. **"Licenciante"** refere-se ao detentor dos direitos de autor ou à entidade autorizada pelo detentor dos direitos de autor que concede a Licença. **"Entidade legal"** refere-se à união da entidade em exercício e todas as outras entidades que controlam, são controladas ou estão sob controlo comum com essa entidade. Para efeitos da presente definição, **"controlo"** refere-se: (i) ao poder, direto ou indireto, de fazer comandar a direção ou gestão dessa entidade, quer por contrato ou por outro meio, ou (ii) à propriedade de cinquenta por cento (50%) ou mais das ações em circulação, ou (iii) à titularidade beneficiária dessa entidade. **"Utilizador"** (ou **"seu"**) refere-se a uma entidade individual ou legal que exerça as permissões concedidas por esta Licença. Forma de **"Fonte"** refere-se à forma preferencial para fazer modificações, incluindo, mas não se limitando a, código fonte de software, fonte de documentação e ficheiros de configuração. Forma de **"Objeto"** refere-se a qualquer forma resultante da transformação mecânica ou tradução de uma forma de fonte, incluindo, mas não se limitando a, código objeto compilado, documentação gerada e conversões para outros tipos de formatos. **"Trabalho"** refere-se ao trabalho de autoria, seja na forma de fonte ou na forma de objeto, disponibilizado ao abrigo da Licença, conforme indicado por um aviso de direitos de autor incluído ou anexado ao trabalho (é fornecido um exemplo no Anexo abaixo). **"Trabalhos derivados"** refere-se a qualquer trabalho, seja na forma de fonte ou na forma de objeto, baseado no (ou derivado do) Trabalho e para o qual as revisões editoriais, anotações, elaborações ou outras modificações representam, como um todo, um trabalho original de autoria. Para efeitos da presente Licença, os Trabalhos derivados não deverão incluir trabalhos que permaneçam separáveis, ou que apenas se associem (ou vinculem por nome) às interfaces do Trabalho e dos Trabalhos derivados. **"Contribuição"** refere-se a qualquer trabalho de autoria, incluindo a versão original do Trabalho e quaisquer modificações ou adições a esse Trabalho ou Trabalhos derivados do mesmo, que seja intencionalmente submetido ao Licenciante para inclusão no Trabalho pelo detentor dos direitos autorais ou por uma Entidade legal ou individual autorizada a submeter em nome do detentor dos direitos de autor. Para efeitos da presente definição, **"submetido"** refere-se a qualquer forma de comunicação eletrónica, verbal ou escrita enviada ao Licenciante ou aos seus representantes, incluindo, entre outros, a comunicação em listas de correio eletrónicas, sistemas de controlo de códigos fonte e sistemas de monitorização de problemas que são geridos pelo Licenciante, ou em nome do mesmo, com o objetivo de discutir e melhorar o Trabalho, mas excluindo a comunicação que é notavelmente marcada ou, de outra forma, designada

por escrito pelo detentor de direitos autorais como **"Não uma contribuição."** **"Colaborador"** refere-se ao Licenciante e a qualquer Entidade individual ou legal em nome da qual tenha sido recebida uma Contribuição por parte do Licenciante e subsequentemente incorporada no Trabalho.

2. Concessão de licença de direitos de autor.

Sujeito aos termos e condições desta Licença, cada Colaborador concede ao Utilizador, por este meio, uma licença de direitos de autor irrevogável, perpétua, mundial, não exclusiva, gratuita e isenta de royalties para reproduzir, preparar Trabalhos derivados de, exibir publicamente, executar publicamente, sublicenciar e distribuir o Trabalho e tais Trabalhos derivados na forma de fonte ou na forma de objeto.

3. Concessão de licença de patente.

Sujeito aos termos e condições desta Licença, cada Colaborador concede ao Utilizador, por este meio, uma licença de patente irrevogável, perpétua, mundial, não exclusiva, gratuita e isenta de royalties (exceto conforme indicado nesta secção) para fazer, utilizar, oferecer para vender, vender, importar e transferir de outra forma o Trabalho, quando essa licença se aplicar apenas às reivindicações de patente licenciáveis por tal Colaborador que sejam necessariamente infringidas pela(s) sua(s) Contribuição(ões) isolada(s) ou por combinação da(s) sua(s) Contribuição(ões) com o Trabalho para o qual essa(s) Contribuição(ões) foi(foram) submetida(s). Se o Utilizador iniciar litígios em matéria de patentes contra qualquer entidade (incluindo uma reclamação cruzada ou uma reclamação contrária numa ação judicial) alegando que o Trabalho ou uma Contribuição incorporada no Trabalho constitui uma infração de patente direta ou contributiva, quaisquer licenças de patente concedidas ao Utilizador ao abrigo desta Licença para esse Trabalho cessarão a partir da data em que tal litígio for apresentado.

4. Redistribuição.

O Utilizador pode reproduzir e distribuir cópias do Trabalho ou dos Trabalhos derivados do mesmo em qualquer suporte, com ou sem modificações, e sob a forma de fonte ou forma de objeto, desde que cumpra as seguintes condições:

- O Utilizador deve fornecer a quaisquer outros destinatários do Trabalho ou Trabalhos derivados uma cópia desta Licença; e
- O Utilizador tem de fazer com que quaisquer ficheiros modificados tenham avisos proeminentes a indicar que alterou os ficheiros; e o Utilizador deve reproduzir, sob a forma de fonte, quaisquer Trabalhos derivados que distribua, todos os avisos de direitos de autor, patente, marca comercial e atribuição da forma de fonte do Trabalho, excluindo os avisos que não pertencem a nenhuma parte dos Trabalhos derivados; e
- Se o Trabalho incluir um ficheiro de texto intitulado **"NOTICE"** (AVISO) como parte da respetiva

distribuição, quaisquer Trabalhos derivados que o Utilizador distribua devem incluir uma cópia legível dos avisos de atribuição contidos nesse ficheiro NOTICE, excluindo os avisos que não dizem respeito a qualquer parte dos Trabalhos derivados, em pelo menos um dos seguintes locais: num ficheiro de texto NOTICE distribuído como parte dos Trabalhos derivados; na forma de fonte ou na documentação, se fornecida juntamente com os Trabalhos derivados; ou, numa apresentação gerada pelos Trabalhos derivados, se e onde esses avisos de terceiros normalmente aparecem. Os conteúdos do ficheiro NOTICE destinam-se apenas a fins informativos e não modificam a Licença. O utilizador pode adicionar os seus próprios avisos de atribuição nos Trabalhos derivados que distribui, juntamente com ou como adenda ao texto NOTICE do Trabalho, desde que esses avisos de atribuição adicionais não possam ser interpretados como modificando a Licença. O Utilizador pode adicionar a sua própria declaração de direitos de autor às suas modificações e pode fornecer termos e condições de licença adicionais ou diferentes para utilização, reprodução ou distribuição das suas modificações, ou para quaisquer Trabalhos derivados como um todo, desde que a sua utilização, reprodução e distribuição do Trabalho esteja em conformidade com as condições indicadas nesta Licença.

5. Submissão de contribuições.

A menos que o utilizador declare explicitamente o contrário, qualquer Contribuição submetida intencionalmente para inclusão no Trabalho por parte do utilizador ao Licenciante ficará sujeita aos termos e condições desta Licença, sem quaisquer termos ou condições adicionais. Não obstante o acima exposto, nada no presente documento substituirá ou modificará os termos de qualquer acordo de licença separado que o Utilizador possa ter celebrado com o Licenciante relativamente a tais Contribuições.

6. Marcas comerciais.

Esta Licença não concede permissão para utilizar os nomes comerciais, marcas comerciais, marcas de serviço ou nomes de produtos do Licenciante, exceto conforme exigido para uso razoável e habitual na descrição da origem do Trabalho e na reprodução do conteúdo do ficheiro NOTICE.

7. Renúncia de garantia.

Salvo se exigido pela lei aplicável ou acordado por escrito, o Licenciante fornece o Trabalho (e cada Colaborador fornece as suas Contribuições) num formato "TAL COMO ESTÁ", SEM GARANTIAS OU CONDIÇÕES DE QUALQUER TIPO, expressas ou implícitas, incluindo, sem limitação, quaisquer garantias ou condições de TÍTULO, NÃO VIOLAÇÃO, COMERCIALIZAÇÃO ou ADEQUAÇÃO A UM DETERMINADO FIM. O Utilizador é o único responsável por determinar a adequação de utilizar

ou redistribuir o Trabalho e assumir quaisquer riscos associados ao seu exercício de permissões ao abrigo desta Licença. 8. Limitação de responsabilidade. Em circunstância alguma e sob nenhuma teoria legal, quer seja por delito (incluindo negligência), contrato ou outra, a menos que exigido pela lei aplicável (tal como atos deliberados e grosseiramente negligentes) ou acordado por escrito, qualquer Colaborador será responsável perante o Utilizador por danos, incluindo quaisquer danos diretos, indiretos, especiais, incidentais ou consequenciais de qualquer natureza resultantes da presente Licença ou da utilização ou incapacidade de utilização do Trabalho (incluindo, entre outros, danos por perda de reputação, interrupção do trabalho, falha ou avaria do computador ou quaisquer outros danos ou perdas comerciais), mesmo que tal Colaborador tenha sido informado da possibilidade de tais danos.

9. Aceitação da garantia ou responsabilidade adicional.

Ao redistribuir o Trabalho ou Trabalhos derivados, o Utilizador pode optar por oferecer, e cobrar uma taxa por, aceitação de suporte, garantia, indemnização ou outras obrigações e/ou direitos de responsabilidade consistentes com esta Licença. No entanto, ao aceitar tais obrigações, o Utilizador apenas poderá agir em seu próprio nome e sob a sua exclusiva responsabilidade e não em nome de qualquer outro Colaborador, e apenas se concordar em indemnizar, defender e isentar cada Colaborador de qualquer responsabilidade decorrente de, ou reclamações invocadas contra, tal Colaborador por motivo da aceitação de tal garantia ou responsabilidade adicional por parte do Utilizador. FIM DOS TERMOS E CONDIÇÕES

Marcas comerciais registadas

QR Code é uma marca comercial registada da DENSO WAVE INCORPORATED no Japão.

CUPRINS

| | | | |
|-------------------|-----|---|-----|
| Introducere..... | 430 | Transportul, depozitarea și eliminarea..... | 444 |
| Siguranță..... | 431 | Date tehnice..... | 445 |
| Asamblarea..... | 437 | Declarație de conformitate..... | 448 |
| Funcționarea..... | 438 | Licențe..... | 449 |
| Întreținerea..... | 440 | Mărci comerciale înregistrate..... | 451 |
| Depanarea..... | 442 | | |

Introducere

Descrierea produsului

Produsul este o mașină rotativă pentru tuns gazonul controlată de un operator-pieton. Iarba se adună într-un colector de iarbă. Demontați colectorul de iarbă pentru a efectua descărcarea ierbii prin partea posterioară a mașinii. Atașați un obturator de resturi vegetale pentru a tăia iarba și a o transforma în îngrășământ.

Domeniul de utilizare

Utilizați produsul pentru a tăia iarba. Nu utilizați produsul pentru alte sarcini.

Prezentare generală a produsului

(Fig. 1)

1. Maneta frânei de motor
2. Inhibitor de pornire
3. Mâner/ghidon
4. Buton de blocare a mânerului
5. Butoane rotative pe mâner
6. Colector de iarbă
7. Obturator pentru resturi vegetale
8. Capac posterior
9. LED pe produs
10. Indicator de avertisment (LED de eroare)
11. Cheie de siguranță
12. Compartiment de baterii
13. Capacul bateriei
14. Simboluri
15. Pârghie pentru înălțimea de tăiere
16. Baterie (accesoriu)
17. Încărcător de baterie (accesoriu)
18. LED roșu
19. LED verde
20. Puncte de ridicare
21. Cârlig
22. Manualul operatorului

Simbolurile de pe produs

(Fig. 2) AVERTISMENT

Ghid rapid

Scanați codul QR pentru sfaturi de utilizare a produsului.



(Fig. 3) Citiți instrucțiunile.

(Fig. 4) AVERTISMENT – Feriți-vă de obiecte proiectate.

(Fig. 5) Țineți trecătorii la distanță.

(Fig. 6) AVERTISMENT – Feriți-vă mâinile și picioarele de cujițe.

(Fig. 7) AVERTISMENT – Deconectați bateria înaintea lucrărilor de întreținere.

(Fig. 8) Nici produsul și nici ambalajul său nu sunt deșeuri menajere. Reciclați la un centru de reciclare pentru echipamente electrice și electronice.

(Fig. 9) Etichetă privind emisiile de zgomot în mediu, conform directivelor și reglementărilor din UE și Regatul Unit și legislației din New South Wales „Regulamentul privind măsurile de protecție a mediului (controlul zgomotului) din 2017”. Nivelul de putere sonoră garantat al produsului este specificat în *Date tehnice la pagina 445* și pe etichetă.

- (Fig. 10) Acest accesoriu este conform cu directivele UE aplicabile.
- (Fig. 11) Acest produs este în conformitate cu reglementările aplicabile din Regatul Unit.
- (Fig. 12) Produsul este protejat de scurgere.
- (Fig. 13) Eliberați maneta frânei de motor pentru oprire.
- (Fig. 14) Împingeți maneta frânei de motor pentru a porni antrenarea cuștilor.
- (Fig. 15) Cod scanabil.
- (Fig. 18) Rotiți pentru a bloca sau debloca.

- (Fig. 20) Utilizați bateria numai în produse de la partenerii Sistemului POWER FOR ALL.
- (Fig. 21) Protejați bateria împotriva căldurii, de exemplu împotriva expunerii continue la lumină solară intensă, a focului, murdăriei, apei și umezelii. Există risc de explozie și de scurtcircuit.
- (Fig. 22)
- (Fig. 16) Utilizați și păstrați încărcătorul de baterii numai în interior.
- (Fig. 17) Izolație dublă.

Etichetele de pe produs

- (Fig. 23)
PERICOL – Țineți picioarele și mâinile la distanță.

Răspunderea pentru produs

Conform prevederilor legislației privind răspunderea pentru produs, nu ne asumăm răspunderea pentru daunele cauzate de produsul nostru dacă:

- produsul este reparat necorespunzător;
- produsul este reparat cu piese care nu provin de la producător sau care nu sunt aprobate de acesta;
- produsul are un accesoriu care nu provine de la producător sau care nu este aprobat de acesta;
- produsul nu este reparat la un centru de service omologat sau de o autoritate omologată;

Nota: Celelalte simboluri/autocolante de pe produs se referă la cerințele de certificare pentru unele piețe.

Simbolurile de pe baterie și/sau de pe încărcător

- (Fig. 19) Reciclați acest produs la un centru de reciclare pentru echipamente electrice și electronice. (Este valabilă numai pentru Europa)

Siguranță

Definiții privind siguranța

Avertismentele, atenționările și notele sunt utilizate pentru a desemna părți foarte importante din manual.



AVERTISMENT: Se utilizează dacă există risc de vătămare sau de deces pentru operator sau pentru trecători, în cazul în care instrucțiunile din manual nu sunt respectate.



ATENȚIE: Se utilizează dacă există un risc de deteriorare a produsului, a altor materiale sau a zonelor învecinate, dacă instrucțiunile din manual nu sunt respectate.

Nota: Se utilizează pentru a furniza mai multe informații care sunt necesare într-o situație dată.

Avertismente generale privind siguranța produsului



AVERTISMENT: Citiți toate avertismentele, instrucțiunile, ilustrațiile și specificațiile de siguranță furnizate cu acest produs. Nerespectarea instrucțiunilor enumerate mai jos poate avea ca rezultat electrocutare, incendii și/sau vătămări corporale grave.

Păstrați toate avertismentele și instrucțiunile pentru consultare ulterioară. Termenul „produs” folosit în avertismente se referă la produsul acționat de la rețeaua de alimentare (cu cablu) sau pe baterii (fără cablu).

Siguranța zonei de lucru

- **Păstrați zona de lucru curată și bine iluminată.** Zonele dezordonate sau întunecoase provoacă accidente.

- Nu întrebuințați produsul în atmosfere explozive, cum ar fi în prezența lichidelor, gazelor și prafului inflamabile. Produsul scoate scânteii care pot aprinde praful sau degajările.
- Țineți la distanță copiii și alte persoane în timpul folosirii produsului. Distragerea atenției poate cauza pierderea controlului.

Siguranța privind echipamentele electrice

- Ștecărele produsului trebuie să se potrivească cu priza. Nu modificați niciodată ștecărul. Nu utilizați adaptoare de ștecăr cu produsele cu împământare (legate la masă). Ștecărele nemodificate și prizele potrivite reduc riscul de electrocutare.
- Evitați contactul dintre propriul corp și suprafețele cu împământare sau legate la masă, cum ar fi țevi, calorifere, plite și congelatoare. Există un pericol sporit de electrocutare dacă împământarea sau legarea la masă se face prin corpul dvs.
- Nu expuneți produsele la ploaie sau la condiții de umezeală. Apa care pătrunde într-un produs va spori pericolul de electrocutare.
- Nu folosiți cablul în mod abuziv. Nu utilizați niciodată cablul la transportarea, abuzarea sau deconectarea produsului. Țineți cablul departe de căldură, ulei, muchii ascuțite sau piese în mișcare. Cablurile deteriorate sau încurcate sporesc pericolul de electrocutare.
- Când lucrați cu produsul afară, folosiți un cablu prelungitor potrivit pentru utilizarea la exterior. Folosirea unui cablu adecvat pentru utilizarea la exterior reduce riscul de electrocutare.
- Dacă întrebuințarea unui produs într-un loc cu umiditate mare este inevitabilă, utilizați o sursă cu dispozitiv de protecție împotriva curentului rezidual (RCD). Folosirea unui dispozitiv pentru curent rezidual reduce pericolul de electrocutare.

Siguranța personală

- Fiți mereu atent, uitați-vă la ce faceți și dați dovadă de simț practic când utilizați produsul. Nu utilizați produsul când sunteți obosit sau sub influența drogurilor, a alcoolului sau a medicamentelor. Un moment de neatenție în timpul întrebuințării produselor poate duce la vătămări corporale grave.
- Utilizați echipament individual de protecție. Purtați întotdeauna ochelari de protecție. Echipamentele de protecție, cum ar fi masca împotriva prafului, încălțăminte de protecție antiderapantă, casca sau protecția pentru auz utilizate în condiții corespunzătoare, vor reduce riscul de vătămări corporale.
- Evitați pornirea accidentală. Verificați dacă comutatorul este în poziția oprit înainte de conectarea la o sursă de alimentare și/sau la acumulatori, înainte de ridicarea sau transportarea produsului. Transportarea produselor cu degetul pe comutator sau activarea produselor care au comutatorul pornit pot genera accidente.

- Îndepărtați toate cheile de reglare sau cheile fixe înainte de a porni produsul. O cheie fixă care a rămas prinsă la o piesă rotativă a produsului poate duce la răniri.
- Nu vă întindeți prea mult. Sprijiniți-vă bine pe picioare și păstrați-vă echilibrul. Aceasta permite un control mai bun asupra produsului în situații neașteptate.
- Îmbrăcați-vă corespunzător. Nu purtați haine largi sau bijuterii. Țineți părul și îmbrăcămintea la distanță de piesele în mișcare. Hainele largi, bijuteriile sau părul lung se pot prinde în piesele în mișcare.
- Dacă dispozitivele sunt dotate cu racorduri la instalații de extragere și colectare a prafului, asigurați-vă că acestea sunt conectate și utilizate corespunzător. Colectarea prafului poate reduce pericolele provocate de acesta.
- Nu vă încredeți în familiaritatea dobândită din utilizarea frecventă a produselor și nu neglijați principiile lor de siguranță. O acțiune neglijentă poate duce la vătămări corporale grave într-o fracțiune de secundă.

Utilizarea și întreținerea produsului

- Nu forțați produsul. Utilizați produsul adecvat pentru operațiunea dvs. Cu produsul adecvat veți efectua lucrarea mai rapid și în condiții mai sigure, la viteza de lucru pentru care a fost proiectat.
- Nu utilizați produsul dacă nu poate fi pornit și oprit de la comutator. Orice produs imposibil de controlat cu comutatorul este periculos și trebuie reparat.
- Deconectați ștecărul de la sursa de alimentare și/sau scoateți acumulatorul, dacă este detașabil, de la produs înainte de a face reglaje, de a schimba accesoriile sau de a depozita produsul. Astfel de măsuri preventive de siguranță reduc riscul pornirii accidentale a produsului.
- Nu lăsați produsele nefolosite la îndemâna copiilor și nu permiteți persoanelor care nu sunt familiarizate cu produsele sau cu instrucțiunile acestora să le folosească. Produsele sunt periculoase în mâinile utilizatorilor neinstruiți.
- Întrețineți produse și accesoriile. Verificați ca piesele în mișcare să nu fie nealiniate sau îndoite, ca piesele să nu fie deteriorate și să nu existe alte situații care ar putea afecta funcționarea produsului. Dacă produsul se strică, duceți-l la reparat înainte de a-l utiliza iar. Multe accidente sunt provocate de produsele prost întreținute.
- Păstrați uneltele de tăiere ascuțite și curate. Este mai puțin probabil ca uneltele de tăiere cu tăisuri ascuțite întreținute corespunzător să se blocheze și sunt mai ușor de controlat.
- Utilizați produsul, accesoriile, capetele de unealtă etc. în conformitate cu aceste instrucțiuni, luând în considerare condițiile de lucru și operațiunea care urmează a fi efectuată. Utilizarea produsului pentru operațiuni diferite de cele pentru care a fost realizat poate duce la situații periculoase.

- **Mențineți mânerele și suprafețele de prindere uscate, curate, fără ulei și unsoare.** Mânerele și suprafețele de prindere alunecoase nu permit manipularea și controlarea în siguranță a produsului în situații neprevăzute.

Utilizarea și întreținerea uneltei cu baterie

- **Reîncărcați numai cu încărcătorul specificat de producător.** Un încărcător adecvat pentru un tip de baterie poate constitui pericol de incendiu atunci când este utilizat cu un alt tip de baterie.
- **Utilizați produsele numai cu bateriile special indicate.** Utilizarea unui alt tip de acumulatori poate constitui pericol de vătămări corporale și de incendiu.
- **Când acumulatorul nu este utilizat, păstrați-l departe de alte obiecte metalice, precum agrafe de birou, monede, chei, cuie, șuruburi sau alte obiecte mici de metal, care pot crea o conexiune între borne.** Scurtcircuitarea bornelor bateriei poate cauza arsuri sau incendii.
- **În condiții de utilizare neadecvată, din baterie pot ieși stropi de lichid; evitați contactul.** Totuși, dacă intrați accidental în contact cu lichidul respectiv, spălați cu apă. Dacă lichidul intră în contact cu ochii, consultați un medic. Lichidul care se scurge din baterie poate cauza iritații sau arsuri.
- **Nu utilizați acumulatori sau unelte deteriorate sau modificate.** Bateriile deteriorate sau modificate pot prezenta un comportament impredictibil, ce pot duce la incendii, explozii sau pericol de vătămări corporale.
- **Nu expuneți acumulatorii sau uneltele la flăcări sau temperaturi excesive.** Expunerea la flăcări sau la temperaturi de peste 130°C/265°F poate cauza explozii.
- **Urmați toate instrucțiunile de încărcare și nu încărcați acumulatorul sau uneltele în afara intervalului de temperatură specificat în instrucțiuni.** Încărcarea incorectă sau la temperaturi în afara intervalului specificat poate duce la deteriorarea bateriei și la creșterea pericolului de incendiu.

Service

- **Produsul dvs. trebuie reparat numai de un tehnician calificat, care să folosească numai piese de schimb identice.** Astfel se garantează păstrarea siguranței produsului.
- **Nu reparați niciodată acumulatori deteriorați.** Repararea acumulatorilor trebuie efectuată numai de producător sau de furnizorii de servicii autorizati.

Avertismente privind siguranța mașinii de tuns gazonul

- **Nu utilizați mașina de tuns gazonul în condiții de vreme nefavorabilă, mai ales când există risc de descărcări electrice.** Aceasta reduce riscul de a fi lovit de trăsnet.
- **Verificați temeinic zona unde urmează a fi utilizată mașina, pentru a vedea dacă nu există animale**

sălbatic. Animalele sălbatic ar putea fi rănite de mașină în timp ce este în funcțiune.

- **Verificați temeinic zona unde urmează a fi utilizată mașina și înălțurați toate pietrele, bețele, cablurile, oasele și alte obiecte străine.** Obiectele proiectate pot provoca vătămări corporale.
- **Înainte de a utiliza mașina, efectuați întotdeauna o inspecție vizuală pentru a vedea dacă cuțitul și ansamblul cuțitului nu sunt uzate sau deteriorate.** Componentele deteriorate sau uzate sporesc riscul de vătămare corporală.
- **Verificați frecvent colectorul de iarbă pentru a detecta eventualele semne de uzură sau deteriorare.** Un colector de iarbă uzat sau deteriorat poate crește riscul de vătămări corporale.
- **Păstrați apărătorile montate. Apărătorile trebuie să fie în stare adecvată pentru lucru și montate corect.** O apărătoare slăbită, deteriorată sau care nu funcționează corect poate duce la vătămări corporale.
- **Mențineți toate admisile de aer de răcire neobstrucționate de resturi.** Blocarea admisilor de aer și resturile pot duce la supraîncălzire sau incendiu.
- **În timp ce folosiți mașina, purtați mereu încălțăminte antiderapantă de protecție. Nu întrebuițați mașina în picioarele goale sau purtând pantofi deschiși la vârf.** Astfel reduceți riscul de rănire a picioarelor în eventualitatea contactului cu cuțitul aflat în mișcare.
- **Când folosiți mașina de tuns gazonul, purtați întotdeauna pantalonii lungi.** Pielea expusă crește probabilitatea rănirii de către obiectele proiectate.
- **Nu utilizați mașina pe iarbă udă. Mergeți, nu alergați niciodată.** Astfel reduceți riscul de alunecare și cădere, care pot provoca vătămări corporale.
- **Nu întrebuițați mașina pe pante prea înclinate.** Astfel scade riscul de a pierde controlul, de a aluneca sau de a cădea, care pot duce la vătămări corporale.
- **Când lucrați pe pante, asigurați-vă întotdeauna că aveți o poziție stabilă. Lucrați mereu orizontal pe suprafața pantei, niciodată în sus și în jos și aveți foarte mare grijă când schimbați direcția.** Astfel scade riscul de a pierde controlul, de a aluneca sau de a cădea, care pot duce la vătămări corporale.
- **Aveți mare grijă când dați înapoi sau când trageți mașina de tuns gazonul spre dvs. Aveți mereu grijă la zona din jur.** Astfel se reduce riscul de împiedicare în timpul lucrului.
- **Nu atingeți cuțitele și alte componente mobile periculoase în timp ce încă se află în mișcare.** Astfel reduceți riscul de vătămări corporale produse de componentele în mișcare.
- **Când desprindeți materialul blocat sau curățați mașina de tuns gazonul, asigurați-vă că toate întreruptoarele sunt oprite și cablul de alimentare este scos din priză.** Acționarea neașteptată a mașinii poate duce la vătămări corporale grave.

Dispozitiv de protecție împotriva curentului rezidual

- Utilizați un dispozitiv de protecție împotriva curentului rezidual cu un curent de declanșare de maximum 30 mA.

Instrucțiuni generale de siguranță



AVERTISMENT: Înainte de a utiliza produsul, citiți instrucțiunile de avertizare de mai jos.

- Acest produs este periculos dacă este utilizat incorect sau dacă nu sunteți atent. Nerespectarea instrucțiunilor de siguranță poate cauza vătămări corporale sau decesul.
 - În timpul funcționării, acest produs produce un câmp electromagnetic. În anumite condiții, acest câmp poate interfera cu implanturile medicale active sau pasive. Pentru a reduce riscul de vătămări corporale grave sau mortale, recomandăm persoanelor cu implanturi medicale să consulte medicul și producătorul implantului medical înainte de a utiliza acest produs.
 - Procedați întotdeauna cu atenție și folosiți-vă judecata. Dacă nu sunteți sigur cum să utilizați produsul într-o situație specială, opriți-l și adresați-vă distribuitorului Husqvarna înainte de a continua.
 - Rețineți că operatorul poartă responsabilitatea privind orice accidente care implică alte persoane sau bunurile acestora.
 - Păstrați produsul curat. Asigurați-vă că puteți citi clar semnele și etichetele.
 - Nu lăsați niciodată copii sau persoanele nefamiliarizate cu aceste instrucțiuni să folosească aparatul. Este posibil ca reglementările locale să limiteze vârsta operatorului.
 - Monitorizați permanent o persoană cu capacități fizice sau mintale reduse care utilizează produsul. Un adult responsabil trebuie să fie prezent în permanență.
 - Nu utilizați produsul atunci când sunteți obosit, bolnav sau dacă ați consumat alcool, droguri sau ați luat medicamente. Acestea vă afectează negativ acuitatea vizuală, atenția, coordonarea și judecata.
 - Nu utilizați produsul dacă este defect.
 - Nu modificați acest produs și nu îl utilizați dacă este posibil să fi fost modificat de către alte persoane.
- Utilizați echipamentul de protecție personală. Consultați *Echipament individual de protecție la pagina 435*.
 - Asigurați-vă că știți cum să opriți rapid motorul în caz de urgență.
 - Nu utilizați produsul în ploaie sau în condiții de umezeală. Riscul de electrocutare crește dacă apa pătrunde în produs.
 - Nu utilizați produsul decât dacă au fost montate corect cușitul și toate capacele. Un cușit montat incorect se poate slăbi, provocând vătămări corporale.
 - Asigurați-vă că lama nu lovește obiecte, precum pietre și rădăcini. Acestea pot deteriora cușitul și pot îndoi arborele motorului. Un ax îndoit poate genera vibrații puternice și prezintă un risc foarte ridicat de slăbire a cușitului.
 - Dacă lama lovește un obiect sau dacă observați vibrații, opriți produsul imediat. Opriți motorul, rotiți cheia de siguranță la 0 și scoateți bateria. Așteptați până se opresc componentele aflate în mișcare. Verificați dacă produsul este deteriorat. Strângeți componentele slăbite. Reparați avariile și înlocuiți componentele deteriorate. Reparațiile trebuie efectuate de un agent de service autorizat.
 - Nu atașați niciodată maneta frânei de motor la mâner, în mod permanent, atunci când motorul este pornit.
 - Poziționați produsul pe o suprafață stabilă, plană și porniți-l. Asigurați-vă că lama nu atinge solul sau alte obiecte.
 - Stați întotdeauna în spatele produsului atunci când îl utilizați.
 - Mențineți toate roțile pe sol și țineți ambele mâini pe mâner când utilizați produsul. Feriți-vă mâinile și picioarele de cușitele rotative.
 - Nu înclinați produsul când porniți motorul sau în timp ce întrebuințați produsul.
 - Fiți atenți atunci când trageți produsul în spate.
 - Nu ridicați niciodată produsul când motorul este pornit. Dacă trebuie să ridicați produsul, mai întâi opriți motorul, rotiți cheia de siguranță la 0 și scoateți bateria.
 - Nu mergeți cu spatele în timp ce utilizați produsul.
 - Opriți motorul când este necesar să înclinați produsul pentru transport sau înainte de a trece peste o zonă fără iarbă, de exemplu poteci de pietriș, piatră sau asfalt.
 - Nu alergați cu produsul când motorul este pornit. Întotdeauna mergeți în timp ce utilizați produsul.
 - Opriți motorul înainte de a schimba înălțimea de tăiere. Nu efectuați niciodată reglări cu motorul pornit.
 - Nu lăsați niciodată produsul să iasă din câmpul vizual cu motorul pornit. Opriți motorul și asigurați-vă că echipamentul de tăiere nu se rotește.
 - Vibrațiile produsului în timpul funcționării pot fi diferite de valoarea de vibrații declarată în *Date tehnice la pagina 445*. Diferența este dată de

Siguranța în lucru



AVERTISMENT: Înainte de a utiliza produsul, citiți instrucțiunile de avertizare de mai jos.

- Utilizați acest produs numai pentru tunderea gazonului. Nu este permisă utilizarea acestui produs pentru alte lucrări.

variațiile din modurile de utilizare a produsului. Dacă întrebuințați produsul frecvent sau pe durate mari, faceți pauze dese pentru a preveni afecțiunile fizice determinate de vibrații.

Instrucțiuni de siguranță pentru utilizare

Echipament individual de protecție



AVERTISMENT: Înainte de a utiliza produsul, citiți instrucțiunile de avertizare de mai jos.

- Echipamentul individual de protecție nu pot elimina complet riscul de rănire, însă pot reduce gravitatea rănilor în cazul unui accident. Distribuitorul vă poate ajuta să alegeți echipamentul corect.
- Utilizați întotdeauna ghete sau pantofi pentru regim greu de lucru, cu rezistență la alunecare. Nu folosiți pantofi decupați și nu operați produsul desculți.
- Utilizați pantaloni lungi, groși.
- Purtați mănuși de protecție atunci când este necesar, de exemplu atunci când conectați, inspecți și curățați echipamentul de tăiere.
- Recomandăm folosirea de echipament de protecție a auzului.

Dispozitivele de siguranță de pe produs



AVERTISMENT: Înainte de a utiliza produsul, citiți instrucțiunile de avertizare de mai jos.

- Nu utilizați un produs cu dispozitive de siguranță deteriorate.
- Nu demontați și nu aduceți modificări la dispozitivele de siguranță.
- Verificați regulat dispozitivele de siguranță. Dacă dispozitivele de siguranță sunt defecte, contactați agentul de service Husqvarna.

Verificarea capacului de tăiere

Capacul de tăiere reduce vibrațiile în produs și scade riscul de rănire de la cuțit.

- Examinați capacul de tăiere și asigurați-vă că nu există defecte, precum fisuri.

Pentru a efectua verificarea cheii de siguranță

Cheia de siguranță este sub capacul bateriei. Cheia de siguranță conectează bateria care alimentează motorul cu energie.

- Porniți și opriți motorul pentru a verifica cheia de siguranță.
- În cazul în care cheia de siguranță funcționează corect, motorul pornește doar atunci când cheia de siguranță este în poziția 1. (Fig. 24)

Verificați maneta frânei de motor

Maneta frânei de motor oprește motorul. Când maneta frânei de motor este eliberată, motorul se oprește.

- Porniți produsul. Consultați *Pornirea produsului la pagina 439*.
- Eliberați maneta frânei de motor. (Fig. 25)
- Asigurați-vă că produsul se oprește. Dacă motorul nu se oprește în 3 secunde, solicitați unui agent de service autorizat Husqvarna să regleze frâna de motor.

Verificarea inhibitorului de pornire

Verificați inhibitorul de pornire pentru a vă asigura că acesta împiedică funcționarea demarorului.

1. Împingeți maneta frânei de motor în direcția mânerului. Inhibitorul de pornire oprește mișcarea.
2. Împingeți inhibitorul de pornire în afară. (Fig. 26)
3. Eliberați inhibitorul de pornire și asigurați-vă că revine la poziția sa inițială.

Siguranța bateriei



AVERTISMENT: Citiți toate instrucțiunile generale și de siguranță.

Nerespectarea instrucțiunilor generale și de siguranță poate cauza șoc electric, incendii și/sau răni grave. **Păstrați toate informațiile de siguranță și instrucțiunile generale pentru referințe ulterioare.**

- **Aceste instrucțiuni de siguranță se aplică numai la bateriile reîncărcabile Li-ion de 18 V pentru sistemul POWER FOR ALL.**
- **Utilizați bateria reîncărcabilă numai în produse de la partenerii Sistemului POWER FOR ALL.** Bateriile reîncărcabile de 18 V etichetate cu POWER FOR ALL sunt pe deplin compatibile cu următoarele produse:
 - Toate produsele sistemului pe baterii de 18 V POWER FOR ALL.
 - Toate produsele de 18 V de la partenerii Sistemului POWER FOR ALL.
- **Respectați recomandările privind bateriile din manualul de utilizare al produsului dvs.** Numai în acest fel bateria reîncărcabilă și produsul pot fi utilizate fără pericol, iar bateriile reîncărcabile pot fi protejate împotriva supraîncărcării periculoase.
- **Încărcați bateriile numai cu încărcătoarele recomandate de producător sau de partenerii de sistem POWER FOR ALL.** Un încărcător care este adecvat pentru un tip de baterie poate prezenta un risc de incendiu atunci când este utilizat cu o altă baterie.
- **Bateria este livrată încărcată parțial.** Pentru a asigura capacitatea maximă a bateriei, încărcați complet bateria în încărcător înainte de a utiliza unealta electrică pentru prima dată.

- **Păstrați bateriile într-un loc inaccesibil copiilor.**
- **Nu deschideți bateria.** Există pericol de scurtcircuitare.
- **În caz de deteriorare și de utilizare necorespunzătoare a bateriei, pot fi emiși vapori. Bateria se poate aprinde sau poate exploda.** Asigurați-vă că zona este bine ventilată și solicitați asistență medicală dacă resimiți efecte adverse. Vaporii pot irita sistemul respirator.
- **Dacă este utilizată incorect sau dacă este deteriorată, din baterie poate țâșni lichid inflamabil. Trebuie evitat contactul cu acest lichid. Dacă intrați accidental în contact cu el, clătiți-vă cu apă. Dacă lichidul intră în contact cu ochii, solicitați asistență medicală suplimentară.** Lichidul care iese din baterie poate cauza iritații sau arsuri.
- **Dacă bateria este deteriorată, lichidul poate ieși din ea și poate acoperi suprafețele din apropiere. Verificați piesele afectate.** Curățați aceste piese sau înlocuiți-le dacă este necesar.
- **Nu scurtcircuitați bateria. Când bateria nu este utilizată, păstrați-o la distanță de alte obiecte metalice, precum agrafe de birou, monede, chei, cuie, șuruburi sau alte obiecte mici de metal, care pot crea o conexiune între borne.** Scurtcircuitarea bornelor bateriei poate cauza arsuri sau incendii.
- **Bateria poate fi deteriorată de obiecte ascuțite, cum ar fi cuie sau șurubelnițe sau de o forță aplicată din exterior.** Se poate produce un scurtcircuit intern, ceea ce poate cauza arderea, emiteria de fum, explozia sau supraîncălzirea bateriei.
- **Nu reparați niciodată acumulatori deteriorați.** Repararea acumulatorilor trebuie efectuată numai de către producător sau de către furnizorii de servicii autorizați.
- **Protejați bateria împotriva căldurii, de exemplu, împotriva luminii solare intense continue, focului, murdăriei, apei și umezelii.** Există risc de explozie și de scurtcircuit.
- **Utilizați bateria din produs numai când temperatura ambiantă este între 0 °C – +40 °C.**
- **Depozitați bateria numai la o temperatură ambiantă între -20 °C – +50 °C.** De exemplu, nu lăsați bateria în mașină în timpul verii. La temperaturi < 0 °C, unele dispozitive pot suferi o pierdere de energie.
- **Încărcați bateria numai la o temperatură ambiantă situată între 0 și 35 °C. Încărcați bateria cu un cablu USB numai la o temperatură ambiantă aflată între 10 și 35 °C.** Încărcarea în afara acestui interval de temperatură poate crește riscul de deteriorare a bateriei și reprezintă un pericol de incendiu.

încărcătorul numai dacă puteți evalua pe deplin toate funcțiile și le puteți efectua fără restricții sau dacă ați primit instrucțiunile corespunzătoare.

- **Acest încărcător nu trebuie utilizat de copii sau persoane cu limitări fizice, senzoriale sau mintale, lipsite de experiență sau nefamiliarizate cu produsul. Acest încărcător poate fi folosit de copii cu vârsta de cel puțin 8 ani și persoane cu limitări fizice, senzoriale sau mintale, lipsite de experiență sau nefamiliarizate cu produsul dacă persoana responsabilă pentru siguranța lor îi supraveghează sau i-a instruit în utilizarea sigură a încărcătorului și dacă înțeleg pericolurile aferente.** În caz contrar, există riscul unor greșeli de utilizare și vătămări corporale.
- **Supravegheați copiii în timpul utilizării, curățării și întreinerii.** Acest lucru va împiedica copiii să se joace cu încărcătorul.
- **Încărcați numai baterii de 18 V cu o capacitate de 1,5 Ah pentru sistemul POWER FOR ALL.** Tensiunea bateriei trebuie să corespundă cu tensiunea de încărcare a încărcătorului. Nu încărcați baterii care nu sunt reîncărcabile. În caz contrar, există risc de incendiu și de explozie.
- **Folosiți încărcătorul numai în spații închise și nu-l expuneți la condiții de umiditate.** Apa care pătrunde într-o unealtă electrică va spori pericolul de electrocutare.
- **Păstrați încărcătorul curat.** Murdăria prezintă un risc de șoc electric.
- **Verificați întotdeauna încărcătorul, cablul și fișa înainte de utilizare. Nu mai utilizați încărcătorul, dacă descoperiți vreo deteriorare. Nu deschideți dvs. înșivă încărcătorul, ci duceți-l la reparat numai la Husqvarna sau la un centru de servicii post-vânzare autorizat care folosește numai piese de schimb originale.** Încărcătoarele, cablurile și fișele deteriorate cresc riscul de electrocutare.
- **Nu utilizați încărcătorul pe o suprafață ușor inflamabilă (de ex. hârtie, materiale textile etc.) sau într-un mediu inflamabil.** Există un risc de incendiu din cauza încălzirii încărcătorului în timpul funcționării.
- **Nu acoperiți fantele de ventilație ale încărcătorului.** În caz contrar, încărcătorul se poate supraîncălzi și nu mai funcționează corespunzător.
- **Reîncărcați numai cu încărcătorul specificat de producător.** Un încărcător adecvat pentru un tip de baterie poate constitui pericol de incendiu atunci când este utilizat cu un alt tip de baterie.
- **În caz de deteriorare și de utilizare necorespunzătoare a bateriei, pot fi emiși, de asemenea, vapori.** Asigurați-vă că zona este bine ventilată și solicitați asistență medicală dacă resimiți efecte adverse. Vaporii pot irita sistemul respirator.
- **În condiții de utilizare abuzivă, din baterie se poate scurge lichid. Trebuie evitat contactul cu acest lichid. Dacă intrați accidental în contact cu el, clătiți-vă cu**



AVERTISMENT: Citiți toate instrucțiunile generale și de siguranță. Nerespectarea instrucțiunilor generale și de siguranță poate cauza șoc electric, incendii și/sau răni grave. **Păstrați aceste instrucțiuni într-un loc sigur.** Utilizați

apă. Dacă lichidul intră în contact cu ochii, solicitați asistență medicală suplimentară. Lichidul care iese din baterie poate cauza iritații sau arsuri.

- **Produse vândute numai în Marea Britanie:** Produsul dvs. este echipat cu o fișă electrică aprobată BS 1363/A cu siguranță internă (aprobată de ASTA conform BS 1362). Dacă ștecherul nu este potrivit pentru prizele dvs. de curent, acesta trebuie tăiat și în locul lui trebuie montat un ștecher adecvat de către un agent de service clienți autorizat. Ștecherul de înlocuire trebuie să aibă aceeași valoare a siguranței ca și ștecherul original. Ștecherul tăiat trebuie aruncat pentru a evita un posibil pericol de electrocutare și nu trebuie introdus niciodată în altă parte într-o priză de rețea.

Instrucțiuni de siguranță pentru întreținere



AVERTISMENT: Înainte de a utiliza produsul, citiți instrucțiunile de avertizare de mai jos.

- Pentru a preveni pornirea accidentală în timpul operațiilor de întreținere, rotiți cheia de siguranță la 0 și scoateți bateria. Așteptați minimum 5 secunde înainte de a începe lucrările de întreținere.
- Efectuați numai lucrările de întreținere care se regăsesc în acest manual al operatorului. Lucrările

mai complexe și reparațiile profesionale trebuie efectuate de un agent de service autorizat. Discutați cu agentul de service cel mai apropiat de dvs. pentru mai multe informații.

- Efectuați lucrările de întreținere în mod corect pentru a prelungi durata de viață a produsului și reduce pericolul de accidente.
- Înlocuiți piesele deteriorate, uzate sau defecte. Utilizați întotdeauna piese de schimb originale de la producător. Alte piese de schimb pot deteriora produsul și pot crește riscul de accidente.
- Pentru a preveni rănirea, nu demontați și nu aduceți modificări la dispozitivele de siguranță.
- Puneți-vă mănuși de protecție rezistente atunci când utilizați echipamentul de tăiere. Cuțitul este foarte ascuțit și vă puteți tăia foarte ușor.
- Mențineți tăișurile de tăiere ascuțite și curățate pentru performanță și siguranță optimă.
- Permiteți agentului de service să verifice periodic produsul și să efectueze reglajele și reparațiile necesare.
- Respectați instrucțiunile privind modul de schimbare a accesoriilor. Utilizați numai accesoriile furnizate de producător.
- Atunci când nu este în funcțiune, păstrați produsul, bateria și încărcătorul în interior, într-un loc uscat și încuiat. Asigurați-vă că persoanele neavizate și copiii nu au acces la produs, la baterie sau la încărcător.

Asamblarea

Introducere



AVERTISMENT: Înainte de a asambla produsul, citiți capitolul privind siguranța.



AVERTISMENT: Pentru a preveni pornirea accidentală în timpul asamblării, rotiți cheia de siguranță la 0, scoateți bateria și așteptați minimum 5 secunde.

Reglarea înălțimii mânerului

Produsul are un mâner cu un interval de reglare liberă a înălțimii. Înălțimea mânerului poate fi stabilită la cea necesară între 2 puncte fixe.

1. Puneți produsului în poziția de funcționare. Consultați *Așezarea produsului în poziția de funcționare la pagina 438.*
2. Rotiți în sens antiorar butoanele de blocare de pe mâner. (Fig. 27)
3. Puneți mânerul într-o poziție adecvată.
4. Puneți cele 2 mâner drepte.



ATENȚIE: Dacă mânerul nu sunt puse drept, produsul se poate deteriora.

5. Rotiți în sens orar butoanele de blocare de pe mâner.
6. Strângeți complet butoanele de blocare.

Montarea colectorului de iarbă

1. Ridicați capacul posterior.
2. Scoateți obturatorul pentru resturi vegetale.
3. Fixați colectorul de iarbă de marginea superioară a carcasei.
4. Puneți partea inferioară a colectorului de iarbă pe canalul de evacuare a ierbii. (Fig. 28)



ATENȚIE: Asigurați-vă că colectorul de iarbă este lipit corect de șasiul produsului.

Instalarea obturatorului pentru resturi vegetale

1. Ridicați capacul posterior și scoateți colectorul de iarbă.

- Împingeți obturatorul pentru resturi vegetale în canalul de evacuare până când auziți un clic. (Fig. 29)

Pentru montarea cârligului pe perete

- Instalați cârligul în interior.
- Nu lăsați cârligul în lumina soarelui și păstrați-l la o temperatură ambiantă cuprinsă între -10 °C și +70 °C.
- Instalați cârligul pe un perete din gips-carton, din lemn sau din beton.



ATENȚIE: Asigurați-vă că peretele poate susține sarcini de cel puțin 30 kg.

- Montați cârligul pe perete cu cele 3 șuruburi (A). Utilizați fișe de perete (B) dacă este necesar. (Fig. 30)



ATENȚIE: Asigurați-vă că șuruburile sunt aplicabile pentru tipul peretelui dvs.

- Contactați agentul de service Husqvarna, pentru informații despre accesoriile de depozitare disponibile pentru produsul dvs.

Funcționarea

Introducere



AVERTISMENT: Înainte de a utiliza produsul, trebuie să citiți și să înțelegeți capitolul privind siguranța.

mânerul este pliat în poziția pentru transport.



AVERTISMENT: Asigurați-vă că mânerul este pliat complet și se află în poziția blocat.

Husqvarna Connect

Husqvarna Connect este o aplicație gratuită pentru dispozitivul dvs. mobil. Aplicația Husqvarna Connect vă oferă funcții extinse pentru produsul dvs. Husqvarna:

- Informații pe larg despre produs.
- Informații despre piese pentru produse și servicii și asistență pentru acestea.

- Reglați înălțimea mânerului. Consultați *Reglarea înălțimii mânerului la pagina 437*.

Setarea înălțimii de tăiere

- Deplasați spre spate pârghia înălțimii de tăiere pentru a mări înălțimea de tăiere.
- Deplasați înainte pârghia înălțimii de tăiere pentru a reduce înălțimea de tăiere. (Fig. 33)

Cum se începe utilizarea Husqvarna Connect

- Descărcați aplicația Husqvarna Connect pe dispozitivul dvs. mobil.
- Înregistrați-vă în aplicația Husqvarna Connect.
- Urmați pașii cu instrucțiuni din aplicația Husqvarna Connect pentru a conecta și înregistra produsul.



ATENȚIE: Nu setați o înălțime de tăiere prea scăzută. Cuțitele pot atinge solul dacă suprafața gazonului nu este plană.

Nota: Aplicația Husqvarna Connect nu este disponibilă pentru descărcare pe toate piețele. Adresați-vă reprezentantului de service pentru informații suplimentare.

Baterie



AVERTISMENT: Înainte de a utiliza bateria, trebuie să citiți și să înțelegeți capitolul privind siguranța. Trebuie, de asemenea, să citiți și înțelegeți informațiile din manualul operatorului privind bateria și încărcătorul.

Așezarea produsului în poziția de funcționare

- Învârtiți butoanele rotative de pe mâner în poziția deblocat. (Fig. 31)
- Plijați mânerul în sus până auziți un clic. (Fig. 32)



ATENȚIE: Asigurați-vă că nu sunt foarte tensionate cablurile. Cablurile prea tensionate se pot deteriora dacă

Păstrați bateria și încărcătorul la temperaturile ambiante corecte.

| | Temperatură ambiantă |
|-----------------------------|----------------------|
| Operarea bateriei în produs | 0 °C – +40 °C |
| Încărcarea bateriei | 0 °C – +35 °C |

Încărcarea bateriei

Încărcați bateria înainte de prima utilizare.

Nota: Procesul de încărcare se poate face numai când temperatura bateriei este în intervalul permis pentru încărcare (0-45 °C).

1. Conectați cablul de alimentare pentru încărcătorul bateriei la o priză de curent cu împământare.



ATENȚIE: Asigurați-vă că rețeaua electrică are tensiunea și frecvența corecte.

2. Introduceți bateria în încărcător. Bateria este conectată la încărcător atunci când LED-ul verde luminează intermitent. (Fig. 34)
3. Bateria este complet încărcată atunci când LED-ul verde de pe încărcător rămâne aprins. Încărcați bateria timp de maximum 24 de ore.
4. Deconectați încărcătorul de baterii de la rețea.



ATENȚIE: Nu trageți de cablul de alimentare.

5. Scoateți bateria din încărcător.

LED-ul de stare a bateriei de pe încărcătorul de baterii

LED-ul roșu (A) și LED-ul verde (B) de pe încărcătorul de baterii indică starea bateriei. Consultați *Depanarea încărcătorului de baterii la pagina 442*.

(Fig. 35)

| LED | Stare baterie |
|--|---|
| LED-ul verde se aprinde intermitent rapid. | Bateria se încarcă. |
| LED-ul verde se aprinde intermitent lent. | Bateria este încărcată în proporție de 80%. |
| LED-ul verde se aprinde. | Bateria este complet încărcată. |
| LED-ul roșu este aprins. | Consultați <i>Depanarea încărcătorului de baterii la pagina 442</i> . |
| LED-ul roșu se aprinde intermitent rapid. | Consultați <i>Depanarea încărcătorului de baterii la pagina 442</i> . |

LED-ul de stare a bateriei de pe produs

Atunci când bateria este instalată în produs, LED-urile de pe produs indică starea bateriei.

(Fig. 36)

| LED | Stare baterie |
|-----------------------------------|---|
| Sunt aprinse LED-urile 1, 2 și 3. | Încărcată complet. |
| Sunt aprinse LED-urile 1 și 2. | Suficient încărcat |
| Este aprins LED-ul 1. | Tensiunea bateriei este joasă. |
| LED-ul 1 se aprinde intermitent. | Bateria este descărcată. Indicatorul de stare a bateriei se aprinde intermitent. Încărcați bateria. Consultați <i>Încărcarea bateriei la pagina 439</i> . |

Pornirea produsului

1. Deschideți capacul bateriei.
2. Introduceți o baterie încărcată în suportul pentru baterie.
3. Rotiți cheia de siguranță la 1. (Fig. 37)
4. Stați în spatele produsului.
5. Slăbiți inhibitorul de pornire. (Fig. 26)
6. Împingeți maneta frânei de motor în direcția mânerului. (Fig. 38)

Funcționarea cu sarcină ridicată

Atunci când produsul taie iarbă lungă sau umedă, motorul își mărește automat turația. Motorul revine la modul standard când sarcina ridicată nu mai este necesară.

Oprirea motorului

În timpul funcționării, cuțitul și motorul se pot opri temporar din cauza unor obstacole precum blocarea ierbii sub capacul de tăiere. Consultați *Curățarea produsului la pagina 441*.



AVERTISMENT: Înainte de a verifica sub capacul de tăiere, eliberați maneta frânei de motor, rotiți cheia de siguranță la 0, scoateți bateria și așteptați cel puțin 5 secunde. Există riscul de accidentare dacă obstacolul este îndepărtat și produsul pornește accidental.

Oprirea produsului



AVERTISMENT: Rotiți cheia de siguranță la poziția 0 înainte să lăsați produsul să iasă din câmpul vizual.

1. Eliberați maneta frânei de motor pentru a opri motorul. (Fig. 39)
2. Deschideți capacul bateriei și rotiți cheia de siguranță la 0. (Fig. 40)

3. Pentru a scoate bateria, apăsați butonul de eliberare și trageți afară bateria. (Fig. 41)
4. Încărcați bateria dacă este slabă. Pentru mai multe informații, consultați *Încărcarea bateriei la pagina 439*.

- Tăiați de fiecare dată în altă direcție, pentru a preveni formarea de dungi pe gazon.
- Păstrați capacul de tăiere curat. Acumularea de iarbă și murdărie pe partea interioară a capacului de tăiere poate reduce calitatea rezultatului tăierii. Consultați *Curățarea produsului la pagina 441*.

Obținerea rezultatelor bune

- Utilizați întotdeauna o lamă ascuțită. O lamă tocită oferă rezultate neregulate, iar suprafața tăiată a ierbii se îngălbenesc. De asemenea, o lamă ascuțită folosește mai puțină energie decât o lamă tocită.
- Nu tăiați niciodată mai mult de 1/3 din lungimea ierbii. Inițial, tundeți cu o înălțime mare de tăiere. Verificați rezultatul și coborâți înălțimea de tăiere la un nivel convenabil. Dacă iarba este foarte înaltă, deplasați aparatul încet și tundeți de două ori, dacă este necesar.

Întreținerea

Introducere



AVERTISMENT: Înainte de a efectua orice operații de întreținere, citiți și înțelegeți capitolul privind siguranța.

Toate lucrările de service și de reparații la produs necesită instruire specială. Garantăm disponibilitatea unor lucrări profesionale de reparații și service. Dacă distribuitorul dvs. nu este agent de service, solicitați acestuia informații cu privire la cel mai apropiat agent de service.

Pentru informații mai detaliate, consultați www.husqvarna.com.

Program de întreținere

Intervalele de întreținere sunt calculate având în vedere o utilizare zilnică a produsului. Intervalele se modifică dacă produsul nu este utilizat zilnic.

Pentru operațiunile de întreținere marcate cu *, consultați instrucțiunile din *Siguranță la pagina 431*.

| | La fiecare utilizare | Lunar | În fiecare sezon |
|---|----------------------|-------|------------------|
| Efectuați o inspecție generală. | X | | |
| Curățați produsul. | X | | |
| Verificați inhibitorul de pornire. * | X | | |
| Asigurați-vă că dispozitivele de siguranță ale produsului nu sunt defecte. * | X | | |
| Examinați echipamentul de tăiere. | X | | |
| Examinați capacul de tăiere. * | X | | |
| Verificați maneta frânei de motor. * | X | | |
| Verificați dacă bateria este deteriorată. | X | | |
| Verificați nivelul de încărcare a bateriei. | X | | |
| Asigurați-vă că butonul de eliberare de pe baterie funcționează corect și că bateria este fixată în produs. | X | | |
| Verificați dacă încărcătorul de baterii nu prezintă deteriorări și asigurați-vă că funcționează corect. | | X | |

| | La fiecare utilizare | Lunar | În fiecare sezon |
|--|----------------------|-------|------------------|
| Examinați conexiunile dintre baterie și produs. Examinați, de asemenea, conexiunea dintre baterie și încărcător. | | | X |

Pentru a efectua o inspecție generală

- Asigurați-vă că șuruburile și piulițele produsului sunt strânse.
- Asigurați-vă că cablurile de pe produs nu sunt într-o poziție în care să poată fi deteriorate.

Curățarea produsului

- Curățați componentele din plastic cu o cârpă curată și uscată.
- Nu utilizați apă pentru a curăța produsul. Apa poate pătrunde în baterie sau în motor și poate provoca scurtcircuitate sau poate avaria produsul.
- Nu utilizați o instalație de spălare cu presiune ridicată pentru a curăța produsul.
- Nu stropiți niciodată direct motorul cu apă.
- Folosiți o perie pentru a elimina frunzele, iarba și murdăria.

Curățarea bateriei și încărcătorului



AVERTISMENT: Nu curățați niciodată cu apă bateria sau încărcătorul bateriei.



AVERTISMENT: Nu folosiți chimicale pentru a curăța bateria.

- Asigurați-vă că bateria și încărcătorul sunt curate și uscate înainte să introduceți bateria în încărcător.
- Curățați bornele bateriei cu aer comprimat sau cu o cârpă moale și uscată.
- Curățați suprafețele bateriei și încărcătorul cu o cârpă moale și uscată.

Pentru a examina echipamentul de tăiere



AVERTISMENT: Pentru a preveni pornirea accidentală, rotiți cheia de siguranță la 0, scoateți bateria și așteptați cel puțin 5 secunde.



AVERTISMENT: Purtați mănuși de protecție când efectuați întreținerea echipamentului de tăiere. Cuțitul este foarte ascuțit și vă puteți tăia foarte ușor.

1. Examinați echipamentul de tăiere pentru a identifica eventuale deteriorări sau crăpături. Înlocuiți întotdeauna un echipament de tăiere deteriorat.
2. Observați cuțitul pentru a vedea dacă este deteriorat sau tocit.

Nota: După ascuțirea cuțitului, acesta trebuie echilibrat. Solicitați unui centru de service să ascută, să monteze la loc și să echilibreze cuțitul. Dacă loviți un obstacol care determină produsul să se oprească, înlocuiți cuțitul deteriorat. Solicitați centrului de service să estimeze dacă lama poate fi ascuțită sau trebuie înlocuită.

Înlocuirea cuțitului

Consultați *Date tehnice la pagina 445* pentru tipul corect de cuțit.



AVERTISMENT: Blocați cuțitul cu o bucată de lemn pentru a preveni rănirea degetelor când îl înlocuiți. Cuțitul se poate mișca și când motorul e oprit, iar degetele se pot prinde între cuțit și piesele fixe.

1. Blocați cuțitul cu o bucată de lemn. (Fig. 42)
2. Scoateți șurubul cuțitului.
3. Demontați cuțitul.
4. Examinați suportul și șurubul cuțitului pentru a vedea dacă există deteriorări.
5. Examinați arborele motorului pentru a vă asigura că nu s-a îndoit.
6. Când montați un cuțit nou, îndreptați capetele oblice ale cuțitului în direcția capacului de tăiere. (Fig. 43)
7. Asigurați-vă că cuțitul este aliniat cu centrul arborelui motorului.
8. Blocați cuțitul cu o bucată de lemn. Montați șaiba elastică și strângeți șurubul și șaiba la un cuplu de 23-28 Nm. (Fig. 44)
9. Învârțiți cuțitul cu mâna și asigurați-vă că se rotește liber.



AVERTISMENT: Purtați mănuși de protecție rezistente. Cuțitul este foarte ascuțit și vă puteți tăia foarte ușor.

10. Porniți produsul pentru a efectua un test al cuțitului. Dacă acesta nu este fixat corect, produsul vibrează sau rezultatele sunt nesatisfăcătoare.

Depanarea

Depanarea încărcătorului de baterii

| LED-ul de pe încărcătorul de baterii | Cauză | Soluție |
|---|--|---|
| LED-ul verde este aprins, iar LED-ul roșu se aprinde intermitent. | Bateria este instalată incorect în încărcător. | Scoateți bateria din încărcător și instalați-o din nou în el. |
| | Conectorii bateriei sunt murdari. | Curățați conectorii bateriei. |
| | Încărcătorul a identificat o eroare internă. | Aveți grijă ca bateriile să fie introduse complet. Scoateți ștecărul și apoi băgați-l din nou în priză. Dacă eroarea reapare, duceți încărcătorul să fie verificat de un centru de service post-vânzare autorizat pentru produse Husqvarna. |
| | Bateria este defectă. | Înlocuiți bateria. |
| LED-ul roșu este aprins, iar LED-ul verde este stins. | Temperatura bateriei nu este în intervalul pentru încărcare. | Așteptați până când temperatura bateriei revine la o valoare din intervalul permis pentru încărcare (0-45 °C). |
| LED-ul verde și LED-ul roșu sunt stinse. | Încărcătorul de baterii nu este conectat corect la priza de rețea. | Conectați încărcătorul de baterii la o priză de alimentare. |
| | Priză de rețea defectă. | Conectați încărcătorul de baterii la tensiunea și la frecvența specificate pe plăcuța de identificare. |
| | Cablul încărcătorului de baterii este defect. | Discutați cu un agent de service autorizat. |
| | Încărcătorul de baterii este defect. | |
| Alte erori. | Dacă alte apar erori, asigurați-vă că produsul este oprit, scoateți bateria și contactați un agent de service autorizat. | |

Depanarea mașinii de tuns gazonul

Indicatorul de avertisment (LED de eroare) se află în partea din spate a produsului, sub capacul bateriei.

| Problemă | LED de eroare (număr de aprinderi intermitente) | Cauză | Soluție |
|--|---|---|---|
| LED-ul de eroare luminează intermitent. Produsul nu funcționează corect. | 5 | Cuțitul este blocat. | Rotiți cheia de siguranță la poziția 0 pentru a preveni pornirea accidentală. Scoateți bateria și așteptați minimum 5 secunde. Îndepărtați posibilele obstacole și asigurați-vă că cuțitul se poate roti liber. Dacă problema continuă, contactați un agent de service aprobat. |
| | | Turația motorului scade prea mult și motorul se oprește. | Măriți înălțimea de tăiere. Consultați <i>Setarea înălțimii de tăiere la pagina 438</i> . |
| | 10 | Controlul motorului este prea fierbinte. | Oprii motorul și așteptați până când acesta se răcește. |
| LED-ul de eroare luminează intermitent. Produsul se oprește. | 22 | Temperatura bateriei este prea ridicată deoarece temperatura din mediul de lucru este prea mare. | Scoateți bateria din mașină și așteptați să se răcească înainte de a porni din nou mașina. Asigurați-vă că temperatura ambiantă este adecvată. Folosiți bateria la temperaturi aflate între 0 și 40 °C. Dacă problema persistă, discutați cu un agent de service autorizat. |
| | | Temperatura bateriei este prea ridicată pentru că în motor există o suprasarcină. | Măriți înălțimea de tăiere. Consultați <i>Setarea înălțimii de tăiere la pagina 438</i> . Dacă problema continuă, contactați un agent de service aprobat. |
| | 0 | Defecțiune la nivelul conectorului bateriei. | Examinați conectorul bateriei. |
| | 3 | Motorul este suprasolicitat. | Măriți înălțimea de tăiere. Consultați <i>Setarea înălțimii de tăiere la pagina 438</i> . |
| | 9 | Eroare la nivelul bateriei sau nu există semnal de la baterie. | Instalați bateria corect în produs și examinați conectorul bateriei. Dacă LED-ul de eroare de pe baterie se aprinde intermitent, consultați <i>Depanarea încărcătorului de baterii la pagina 442</i> . Dacă problema continuă, contactați un agent de service aprobat. |
| | 8 | Bateria este slabă. | Încărcați bateria. Consultați <i>Încărcarea bateriei la pagina 439</i> . |
| | 12 | Procedură de pornire incorectă. Maneta frânei de motor a fost cuplată înainte de pornirea motorului. | Eliberați maneta frânei de motor și așteptați circa 5 secunde. Apăsați din nou în jos maneta frânei de motor pentru a porni produsul. |
| | Alte erori. | Dacă apar alte erori, rotiți cheia de siguranță la 0, scoateți bateria și contactați un agent de service autorizat. | |

Transportul, depozitarea și eliminarea

Introducere



AVERTISMENT: Pentru a preveni pornirea accidentală în timpul transportului și depozitării, rotiți cheia de siguranță la 0, scoateți bateria și așteptați cel puțin 5 secunde.

Așezarea produsului în poziția pentru transport

1. Scoateți colectorul de iarbă și asigurați-vă că este gol.
2. Rotiți butoanele de blocare de pe mâner în sens antiorar, în poziția deblocat. (Fig. 45)
3. Împingeți mânerul spre capacul posterior.
4. Rotiți butoanele de blocare de pe mâner în sens orar, în poziția blocat.
5. Învârțiți butoanele rotative de pe mâner în poziția deblocat. (Fig. 46)
6. Pliati în jos mânerul până auziți un clic. (Fig. 47)

Consultați *Așezarea produsului în poziția de depozitare la pagina 444* pentru a depozita produsul.

Transportul

- Cerințele din legislația privind bunurile periculoase se aplică pentru bateriile Li-ion incluse.
- Pentru transporturile comerciale cerințele speciale de pe ambalaj și etichete trebuie respectate.
- Respectați cu atenție reglementările privind materialele periculoase atunci când pregătiți produsul pentru transport. Pot exista reglementări locale aplicabile.
- Înainte de transport scoateți întotdeauna bateria.
- Aplicați bandă pe bornele bateriei și asigurați-vă că aceasta nu se poate deplasa în timpul transportului.
- Fixați produsul în timpul transportului.

Depozitarea

- Înainte de a depozita produsul, lăsați-l să se răcească.
- Înainte de depozitare scoateți întotdeauna bateria.
- Pentru a preveni accidentele, asigurați-vă că bateria nu este conectată la produs în timpul depozitării.
- Păstrați încărcătorul într-un spațiu închis și uscat.
- Păstrați bateria și încărcătorul de baterie într-un spațiu uscat unde nu pătrunde umezeala sau înghețul.
- Deconectați bateria de la încărcător în timpul depozitării.

- Nu depozitați bateria într-un loc unde poate apărea electricitatea statică. Nu depozitați bateria într-o cutie metalică.
- Păstrați produsul într-un loc unde temperatura ambiantă este între -20 și +50 °C.
- Păstrați bateria într-un loc unde temperatura este cuprinsă între -20 și +50 °C și departe de lumina soarelui.
- Depozitați încărcătorul într-un loc uscat, închis și ferit de îngheț.
- Asigurați-vă că bateria este curată și încărcată înainte de a o depozita pe o perioadă lungă.
- Păstrați produsul, bateria și încărcătorul de baterii într-un loc încuiat, la care nu au acces copiii și persoanele neavizate.
- Curățați produsul și asigurați-vă că colectorul de iarbă este gol.
- Efectuați procedurile de întreținere descrise în acest manual. Consultați *Întreținerea la pagina 440*.
- Efectuați un service complet înainte de a depozita produsul pentru o perioadă lungă de timp.

Așezarea produsului în poziția de depozitare



AVERTISMENT: Pentru a preveni pornirea accidentală în timpul transportului și depozitării, rotiți cheia de siguranță la 0, scoateți bateria și așteptați cel puțin 5 secunde.

1. Îndepărtați bateria.
2. Așezarea produsului în poziția pentru transport. Consultați *Așezarea produsului în poziția pentru transport la pagina 444*.
3. Deplasați produsul la locul de depozitare.

Depozitarea produsului orizontal pe sol

1. Puneți produsul în poziția de depozitare. Consultați *Așezarea produsului în poziția de depozitare la pagina 444*.
2. Prindeți colectorul de iarbă. Consultați *Montarea colectorului de iarbă la pagina 445*.
3. Depozitați produsul orizontal pe sol. (Fig. 48)

Depozitarea produsului vertical pe sol

1. Puneți produsul în poziția de depozitare. Consultați *Așezarea produsului în poziția de depozitare la pagina 444*.
2. Ridicați produsul de punctele de ridicare de pe mâner și puneți-l vertical pe o suprafață dreaptă. (Fig. 49)



AVERTISMENT: Nu ridicați produsul de capacul de tăiere. Cuțitul este foarte ascuțit și vă puteți tăia foarte ușor.

3. Prindeți colectorul de iarbă. Consultați *Montarea colectorului de iarbă la pagina 445*.
4. Asigurați-vă că produsul este stabil și cele 2 picioare de sprijin ating solul.
5. Depozitați produsul vertical pe sol. (Fig. 50)

Depozitarea produsului vertical pe cârligul furnizat



AVERTISMENT: Atârnați produsul pe perete numai cu cârligul furnizat.

1. Montați cârligul furnizat. Consultați *Pentru montarea cârligului pe perete la pagina 438*.
2. Puneți produsul în poziția de depozitare. Consultați *Așezarea produsului în poziția de depozitare la pagina 444*.
3. Ridicați produsul de punctele de ridicare de pe mâner. (Fig. 49)



AVERTISMENT: Nu ridicați produsul de capacul de tăiere. Cuțitul este foarte ascuțit și vă puteți tăia foarte ușor.

4. Atârnați vertical produsul pe cârligul furnizat. Consultați *Pentru montarea cârligului pe perete la pagina 438*. (Fig. 51)
5. Asigurați-vă că produsul este suspendat corect și este așezat stabil pe cele 2 tije ale cârligului.
6. Prindeți colectorul de iarbă. Consultați *Montarea colectorului de iarbă la pagina 445*.

Montarea colectorului de iarbă

1. Prindeți colectorul de iarbă de șanțul din partea din față a produsului. (Fig. 52)
2. Împingeți partea inferioară a colectorului de iarbă pe punctul de ridicare până auziți un clic. (Fig. 53)

Eliminarea la deșeuri

Simbolurile de pe produs sau de pe ambalajul acestuia arată că acest produs nu poate fi tratat ca deșeu menajer. Trebuie depus la un centru de reciclare corespunzător pentru recuperarea echipamentelor electrice și electronice.

Asigurându-vă că aveți grijă de acest produs în mod corect, puteți contribui la neutralizarea impactului negativ potențial asupra mediului înconjurător și asupra persoanelor; în caz contrar, putând conduce la gestionarea incorectă a deșeurilor acestui produs. Pentru informații mai detaliate referitoare la reciclarea acestui produs, contactați autoritățile, serviciul pentru deșeuri menajere sau magazinul de unde ați achiziționat produsul.

(Fig. 54)

Doar pentru țările UE: În conformitate cu Directiva 2006/66/CE, acumulatorii sau bateriile care s-au defectat sau uzat trebuie să se colecteze separat și să se elimine într-un mod adecvat din punct de vedere ecologic.

Numai pentru Regatul Unit: În conformitate cu Reglementările din 2009 privind deșeurile formate din acumulatori și baterii (SI 2009/890) (și modificările ulterioare), acumulatorii sau bateriile care nu se mai pot utiliza trebuie să se colecteze separat și să se elimine într-un mod adecvat din punct de vedere ecologic.

Date tehnice

Date tehnice

| | Aspire LC34-P4A |
|--|------------------------|
| Motor de tăiere | |
| Tip de motor | BLDC (fără perii) 18 V |
| Turația motorului - Valoarea nominală, rpm | 3000 |
| Turația motorului - Sarcină ridicată, rpm | 3500 |
| Putere motor – Valoare max., kW | 0,7 |
| Putere motor - Valoare nominală, kW | 0,5 |
| Motorul de antrenare | |
| Putere motor - Valoare nominală, kW | N/A |

| | |
|--|------------------------|
| | Aspire LC34-P4A |
| Viteză de deplasare independentă, km/h | N/A |
| Nivelurile de reglare a vitezei | N/A |
| Greutate | |
| Greutate fără sac (fără baterie), kg | 11,5 |
| Greutate cu sac (incl. 1 P4A 18-B72), kg | 13,5 |
| Baterie | |
| Tip de baterie | Litiu-ion |
| Timp funcționare baterie | |
| Durată de funcționare baterie, min ⁷⁷ | 60 |
| Emisii de zgomot ⁷⁸ | |
| Nivel de putere acustică, măsurat dB(A) | 86 |
| Nivel de putere acustică, garantat L _{WA} dB(A) | 87 |
| Niveluri de zgomot ⁷⁹ | |
| Nivel de presiune a sunetului la urechea operatorului, dB(A) | 74 |
| Niveluri de vibrații ⁸⁰ | |
| Măner, m/s ² | 0,5 |
| Accesorii de tăiere | |
| Înălțime de tăiere, mm | 30-65 |
| Lățime de tăiere, cm | 34 |
| Cuțit standard | Combi 5375561-10 |
| Cuțit accesoriu | N/A |
| Capacitate colector de iarbă, l | 30 |

Baterii aprobate

Acest produs poate fi folosit cu toate bateriile **POWER FOR ALL**. Pentru cele mai bune performanțe, se recomandă folosirea unor baterii de minimum 4 Ah.

| Baterie | P4A 18-B45 | P4A 18-B72 |
|------------------------|------------|------------|
| Tip | Litiu-ion | Litiu-ion |
| Capacitate baterie, Ah | 2,5 | 4,0 |
| Tensiune nominală, V | 18 | 18 |

⁷⁷ (funcționare liberă) cu modul standard activat, cu o baterie Husqvarna de 4 Ah (P4A 18-B72).

⁷⁸ Emisiile de zgomot în mediu măsurate ca putere acustică (L_{WA}) în conformitate cu directiva CE 2000/14/CE.

⁷⁹ Datele raportate pentru nivelul de presiune sonoră au un factor de incertitudine (K) de 1,5 dB(A).

⁸⁰ Datele raportate pentru nivelul de vibrații au un factor de incertitudine (K) de 1,5 m/s². Valoarea totală a vibrației declarate a fost măsurată în concordanță cu standardul EN 62841-4-3, Anexa I și poate fi utilizată pentru compararea utilajelor, precum și în cadrul unei evaluări preliminare a expunerii.

| Baterie | P4A 18-B45 | P4A 18-B72 |
|--------------------------|-------------------|-------------------|
| Greutate, kg | 0,35 | 0,65 |
| Număr de celule (Li-Ion) | 5 | 10 |

Încărcătoare de baterii omologate

| Încărcător de baterii | P4A 18-C70 |
|------------------------------|-------------------|
| Tensiune de intrare, V | 220-240 |
| Frecvență, Hz | 50-60 |
| Putere, W | 70 |

Declarație de conformitate

Declarație de conformitate UE

Noi, **Husqvarna AB**, SE-561 82 Huskvarna, Suedia, tel.:
+46-36-146500, declarăm pe propria răspundere, că
produsul:

| | |
|---------------------|------------------------------------|
| Descriere | Mașină de tuns gazonul |
| Marcă | Husqvarna |
| Tip/Model | Aspire LC34-P4A |
| Identificare | Numerele de serie începând cu 2022 |

respectă în totalitate următoarele directive și
reglementări UE:

| Reglementare | Descriere |
|---------------------|--|
| 2006/42/CE | „privind utilajele” |
| 2014/30/UE | „aferentă compatibilității electromagnetice” |
| 2000/14/CE | „privind emisiile de zgomot în mediul înconjurător” |
| 2011/65/UE | „privind restricțiile de utilizare a anumitor substanțe periculoase în echipamentele electrice și electronice” |

și că au fost aplicate următoarele standarde și/sau
specificații tehnice: EN 62841-1:2015/AC:2015, EN
IEC 62841-4-3:2021/A11:2021, EN ISO 12100:2010,
EN 55014-1:2021, EN 55014-2:2021, EN IEC
61000-6-2:2019, EN IEC 61000-6-3:2021, EN IEC
63000:2018

Organismul notificat: 0404, RISE SMP Svensk
Maskinprovning AB, Box 4053, SE-904 03 Umeå,
Sweden a certificat conformitatea cu directiva
2000/14/CE a consiliului, procedura de evaluare a
conformității: Anexa VI.

Pentru informații privind emisiile de zgomot, consultați
Date tehnice la pagina 445.

Huskvarna, 2022-10-24

Claes Losdal, Director de Dezvoltare / Produse de
grădinărit, Husqvarna AB

Responsabil pentru documentația tehnică



Copyright © 2012–2020 STMicroelectronics

Garanția nu acoperă defecțiunile rezultate în urma uzurii normale, neglijenței, utilizării defectuoase, reparațiilor neautorizate sau în urma conectării echipamentului de aspirare la tensiune necorespunzătoare.

Toate drepturile rezervate.

Redistribuirea și utilizarea în formele sursă și binare, cu sau fără modificări, sunt permise cu condiția respectării următoarelor condiții:

- Redistribuirea codului sursă trebuie să mențină notificarea de mai sus privind drepturile de autor, această listă de condiții și următoarea clauză de renunțare.
- Redistribuirile în formă binară trebuie să reproducă în documentație și/sau în alte materiale furnizate împreună cu distribuția, notificarea de mai sus privind drepturile de autor, această listă de condiții și următoarea clauză de renunțare la răspundere.
- Nici denumirea STMicroelectronics și nici numele laboratorilor săi nu pot fi folosite pentru a susține sau a promova produse derivate din acest software, fără o autorizație scrisă prealabilă specifică.

ACEST SOFTWARE ESTE FURNIZAT DE DEȚINĂTORII DREPTURILOR DE AUTOR ȘI DE CONTRIBUTORI „CA ATARE” ȘI SUNT REFUZATE ORICE GARANȚII EXPRESE SAU IMPLICITE, INCLUSIV, DAR FĂRĂ A SE LIMITA LA GARANȚIILE IMPLICITE DE VANDABILITATE ȘI DE ADECVARE PENTRU UN ANUMIT SCOP. ÎN NICIUN CAZ TITULARUL DREPTURILOR DE AUTOR SAU COLABORATORII NU VOR FI RĂSPUNZĂTORI PENTRU DAUNE DIRECTE, INDIRECTE, ACCIDENTALE, SPECIALE, EXEMPLARE SAU PE CALE DE CONSECINȚĂ (INCLUSIV, DAR FĂRĂ A SE LIMITA LA PROCURAREA DE BUNURI SAU SERVICII ÎNLOCUIȚOARE; PIERDEREA DE UTILIZARE, DATE SAU PROFITURI; SAU ÎNTRERUPEREA ACTIVITĂȚII), INDIRECTE DE CAUZĂ ȘI DE TEORIA RĂSPUNDERII, FIE CĂ ESTE vorba DE CONTRACT, RĂSPUNDERE STRICTĂ SAU DELICT (INCLUSIV NEGLIJENȚĂ SAU ALTCEVA), CARE REZULTĂ ÎN ORICE MOD DIN UTILIZAREA ACESTUI SOFTWARE, CHIAR DACĂ AU FOST INFORMAȚI DE POSIBILITATEA UNOR ASTFEL DE DAUNE.

Licența Apache 2.0

Copyright © 2009-2019 Arm Limited. Toate drepturile rezervate.

Versiunea 2.0, Ianuarie 2004 <http://www.apache.org/licenses/>

TERMENI ȘI CONDIȚII DE UTILIZARE, REPRODUCERE ȘI DISTRIBUIRE

1. Definiții.

„Licență” înseamnă termenii și condițiile de utilizare, reproducere și distribuire, după cum sunt definite în secțiunile 1-9 din prezentul document. „Licențiator” înseamnă proprietarul drepturilor de autor sau entitatea autorizată de proprietarul drepturilor de autor care acordă Licența. „Entitate juridică” reprezintă uniunea dintre entitatea care acționează și toate celelalte entități care controlează, sunt controlate sau se află sub control comun cu entitatea respectivă. În sensul acestei definiții, „control” înseamnă (i) puterea, directă sau indirectă, de a determina conducerea sau managementul unei astfel de entități, fie prin contract, fie în alt mod sau (ii) deținerea a cel puțin cincizeci la sută (50%) din acțiunile în circulație sau (iii) deținerea efectivă a unei astfel de entități. „Dvs.” (sau „A/al/ai/ale dvs.”) înseamnă o persoană fizică sau o entitate juridică ce exercită permisiunile acordate prin prezenta licență. Forma „sursă” înseamnă forma preferată pentru efectuarea modificărilor, inclusiv, dar fără a se limita la codul sursă al software-ului, sursa documentației și fișierele de configurare. Forma „obiect” înseamnă orice formă rezultată din transformarea mecanică sau din translatarea unei forme sursă, inclusiv, dar fără a se limita la codul obiect compilat, documentația generată și conversiile în alte tipuri de suporturi. „Lucrare” înseamnă lucrarea de autor, în formă de sursă sau de obiect, pusă la dispoziție în temeiul licenței, așa cum este indicată de o notă de drepturi de autor inclusă în lucrare sau atașată la aceasta (un exemplu este furnizat în anexa de mai jos). „Lucrări derivate” înseamnă orice lucrare, în formă de sursă sau de obiect, care se bazează pe lucrare (sau derivă din aceasta) și pentru care revizuirile editoriale, adnotările, elaborările sau alte modificări reprezintă, în ansamblu, o lucrare originală a autorului. În sensul prezentei licențe, lucrările derivate nu includ lucrările care rămân separabile de lucrare sau care au doar o legătură (sau se leagă prin nume) cu interfețele lucrării și ale lucrărilor derivate ale acesteia. „Contribuție” înseamnă orice lucrare de autor, inclusiv versiunea originală a lucrării și orice modificări sau adăugiri la acea lucrare sau lucrări derivate ale acesteia, care este transmisă în mod intenționat Licențiatorului pentru a fi inclusă în lucrare de titularul drepturilor de autor sau de o persoană fizică sau juridică autorizată să transmită în numele titularului drepturilor de autor. În sensul acestei definiții, „trimis” înseamnă orice formă de comunicare electronică, verbală sau scrisă trimisă Licențiatorului sau reprezentanților acestuia, inclusiv, dar fără a se limita la comunicarea pe listele de discuții electronice, sistemele de control al codului sursă și sistemele de urmărire a problemelor care sunt gestionate de Licențiator sau în numele acestuia în scopul discuției și îmbunătățirii Lucrării, dar cu excepția comunicării care este marcată în mod vizibil sau desemnată în scris de titularul dreptului de autor ca nefiind „O contribuție”. „Contributor” înseamnă Licențiatorul și orice persoană fizică sau juridică în numele căreia Licențiatorul a

primit o Contribuție și care a fost ulterior încorporată în Lucrare.

2. Acordarea licenței de drepturi de autor.

Sub rezerva termenilor și condițiilor prezentei licențe, fiecare contribuitor vă acordă prin prezenta o licență perpetuă, mondială, neexclusivă, gratuită, fără redevențe și irevocabilă de drepturi de autor pentru a reproduce, a pregăti lucrări derivate, a afișa în public, a executa în public, a sublicența și a distribui lucrarea și astfel de lucrări derivate în forma sursă sau obiect.

3. Acordarea licenței de brevetare.

Sub rezerva termenilor și condițiilor prezentei licențe, fiecare contribuitor vă acordă prin prezenta o licență de brevet perpetuă, mondială, neexclusivă, gratuită, fără redevențe, irevocabilă (cu excepția celor menționate în această secțiune) pentru a realiza, a face să se realizeze, a utiliza, a oferi spre vânzare, a vinde, a importa și a transfera în alt mod lucrarea, în cazul în care o astfel de licență se aplică numai acelor revendicări de brevete care pot fi licențiate de un astfel de contribuitor și care sunt în mod necesar încălcate de contribuția (contribuțiile) sa (lor) singură (singure) sau prin combinarea contribuției (contribuțiilor sale) cu lucrarea la care a (au) fost trimise. Dacă inițiați un litigiu privind brevetele împotriva oricărei entități (inclusiv o cerere convențională sau o cerere reconvențională în cadrul unui proces), în care se susține că lucrarea sau o contribuție încorporată în lucrare constituie o încălcare directă sau indirectă a unui brevet, atunci orice licență de brevet care vă este acordată în temeiul prezentei licențe pentru lucrarea respectivă va înceta la data la care se depune un astfel de litigiu.

4. Redistribuire.

Puteți reproduce și distribui copii ale Lucrării sau ale Lucrărilor derivate pe orice suport, cu sau fără modificări și în formă de sursă sau obiect, cu condiția să îndepliniți următoarele condiții:

- trebuie să oferiți oricărui alt destinatar al lucrării sau al lucrărilor derivate o copie a prezentei licențe; și
- trebuie să faceți ca toate fișierele modificate să poarte notificări proeminente care să precizeze că ați modificat fișierele; și - trebuie să păstrați, în forma sursă a oricăror lucrări derivate pe care le distribuiți, toate notificările privind drepturile de autor, brevetele, mărcile comerciale și atribuirea din forma sursă a lucrării, cu excepția acelor notificări care nu se referă la nicio parte a lucrărilor derivate; și
- Dacă lucrarea include un fișier text „**NOTIFICARE**” ca parte a distribuției sale, atunci orice Lucrări derivate pe care le distribuiți trebuie să includă o copie lizibilă a notificărilor de atribuire conținute în acest fișier NOTIFICARE, cu excepția acelor notificări care nu se referă la nicio parte a Lucrărilor derivate, în cel puțin unul dintre următoarele locuri: într-un fișier text NOTIFICARE distribuit ca parte a Lucrărilor derivate; în forma sursă sau în documentație, dacă este furnizat împreună cu

Lucrările derivate; sau, într-un afișaj generat de Lucrările derivate, dacă și oriunde apar în mod normal astfel de notificări ale terților. Conținutul fișierului NOTIFICARE are doar scop informativ și nu modifică licența. Puteți adăuga propriile dvs. notificări de atribuire în cadrul lucrărilor derivate pe care le distribuiți, alături de textul NOTIFICARE din lucrare sau ca o anexă la acesta, cu condiția ca aceste notificări de atribuire suplimentare să nu poată fi interpretate ca o modificare a licenței. Puteți adăuga propria declarație privind drepturile de autor la modificările dvs. și puteți furniza termeni și condiții de licență suplimentare sau diferite pentru utilizarea, reproducerea sau distribuirea modificărilor dvs. sau pentru orice astfel de lucrări derivate în ansamblu, cu condiția ca utilizarea, reproducerea și distribuirea de dvs. a operei să respecte altfel condițiile stabilite în prezenta licență.

5. Trimiterea contribuțiilor.

Cu excepția cazului în care dvs. declarați în mod explicit contrariul, orice Contribuție trimisă în mod intenționat de dvs. licențiatorului pentru a fi inclusă în lucrare va fi supusă termenilor și condițiilor prezentei Licențe, fără termeni sau condiții suplimentare. Fără a aduce atingere celor de mai sus, nicio prevedere din prezentul document nu va înlocui și nu va modifica termenii niciunui contract de licență separat pe care este posibil să-l fi încheiat cu Licențiatorul cu privire la astfel de Contribuții.

6. Mărci comerciale.

Prezenta Licență nu acordă permisiunea de a utiliza denumirile comerciale, mărcile comerciale, mărcile de servicii sau denumirile de produse ale Licențiatorului, cu excepția cazului în care acest lucru este necesar pentru o utilizare rezonabilă și uzuală în descrierea originii Lucrării și reproducerea conținutului fișierului NOTIFICARE.

7. Declinarea garanțiilor.

Cu excepția cazului în care legislația aplicabilă o impune sau se convine în scris, Concedentul furnizează Lucrarea (și fiecare Colaborator furnizează Contribuțiile sale) pe ÎN MOD „CA ATARE”, FĂRĂ GARANȚII SAU CONDIȚII DE NICIUN FEL, fie acestea exprese sau implicite, inclusiv, dar fără a se limita la orice garanții sau condiții de TITLU, NEÎNCĂLCARE, COMERCIALIZARE sau ADECVARE PENTRU UN ANUMIT SCOP Sunteți singurul responsabil pentru determinarea oportunității utilizării sau redistribuirii Lucrării și vă asumați toate riscurile asociate cu exercitarea de dvs. a permisiunilor în temeiul acestei Licențe. 8. Limitarea responsabilității. În niciun caz și sub nicio teorie legală, fie că este vorba de răspundere civilă delictuală (inclusiv neglijență), contract sau altfel, cu excepția cazului în care legea aplicabilă o cere (cum ar fi acte deliberate și acte de neglijență gravă) sau dacă se convine în scris, niciun Contribuitor nu va fi răspunzător față de dvs. pentru daune, inclusiv orice

daune directe, indirecte, speciale, accidentale, sau pe cale de consecință, de orice natură, care rezultă din această licență sau din utilizarea sau incapacitatea de a utiliza lucrarea (inclusiv, dar fără a se limita la daune pentru pierderea fondului comercial, oprirea activității, defecțiuni sau defecțiuni ale calculatorului sau orice alte daune sau pierderi comerciale), chiar dacă respectivul contribuitor a fost informat de posibilitatea unor astfel de daune.

9. Acceptarea garanției sau a răspunderii suplimentare.

La redistribuirea Lucrării sau a Lucrărilor derivate din aceasta, puteți alege să oferiți și să percepeți o

taxă pentru acceptarea obligațiilor și/sau drepturilor de asistență, garanție, despăgubire sau alte obligații și/sau drepturi de răspundere în conformitate cu prezenta Licență. Cu toate acestea, în acceptarea acestor obligații, puteți acționa numai în numele dvs. și pe răspunderea dvs. exclusivă, nu în numele niciunui alt contribuitor și numai dacă sunteți de acord să despăgubiți, să apărați și să exonerați de răspundere fiecare colaborator pentru orice răspundere asumată sau pretenții formulate împotriva acestuia din cauza acceptării de dvs. a unei astfel de garanții sau răspunderi suplimentare. SFÂRȘITUL TERMENILOR ȘI CONDIȚIILOR

Mărci comerciale înregistrate

Codul QR este o marcă înregistrată a DENSO WAVE INCORPORATED în Japonia.

Содержание

| | | | |
|--|-----|---|-----|
| Введение..... | 452 | Транспортировка, хранение и утилизация..... | 468 |
| Безопасность..... | 453 | Технические данные..... | 470 |
| Сборка..... | 461 | Декларация о соответствии..... | 473 |
| Эксплуатация..... | 462 | Лицензии..... | 474 |
| Техническое обслуживание..... | 464 | Зарегистрированные товарные знаки..... | 476 |
| Поиск и устранение неисправностей..... | 466 | | |

Введение

Описание изделия

Изделие представляет собой роторную газонокосилку с пешеходным управлением. Трава собирается в травосборник. Снимите травосборник, чтобы трава отбрасывалась назад. Установите пробку для мульчирования, чтобы использовать скошенную траву в качестве удобрения.

Назначение

Используйте изделие для стрижки травы. Запрещается использовать изделие для других видов работ.

Обзор изделия

(Рис. 1)

1. Рукоятка моторного тормоза
2. Ограничитель запуска
3. Рукоятка / рукоятка управления
4. Фиксатор рукоятки управления
5. Регуляторы рукоятки
6. Травосборник
7. Пробка для мульчирования
8. Задняя крышка
9. Светодиодный индикатор на изделии
10. Предупреждающий индикатор (светодиодный индикатор ошибки)
11. Предохранительный ключ
12. Аккумуляторный отсек
13. Крышка аккумулятора
14. Условные обозначения
15. Рычаг регулировки высоты кошения
16. Аккумулятор (принадлежность)
17. Зарядное устройство аккумулятора (принадлежность)
18. Красный светодиод
19. Зеленый светодиод
20. Точки подъема
21. Крюк
22. Руководство по эксплуатации

Краткое руководство

Отсканируйте QR-код, чтобы получить рекомендации по использованию изделия.



Символы на изделии

- (Рис. 2) ПРЕДУПРЕЖДЕНИЕ
- (Рис. 3) Прочтите инструкции.
- (Рис. 4) ПРЕДУПРЕЖДЕНИЕ: остерегайтесь отбрасываемых предметов.
- (Рис. 5) Не допускайте приближения посторонних лиц.
- (Рис. 6) ПРЕДУПРЕЖДЕНИЕ: не подносите руки и ноги к ножам.
- (Рис. 7) ПРЕДУПРЕЖДЕНИЕ: перед техническим обслуживанием отсоедините аккумулятор.
- (Рис. 8) Запрещается утилизировать данное изделие и его упаковку в качестве бытовых отходов. Изделие необходимо передать в пункт переработки электрического и электронного оборудования.
- (Рис. 9) Табличка с уровнем эмиссии шума в окружающую среду в соответствии

с директивами и нормативами Европейского союза, Великобритании и законодательством Нового Южного Уэльса "Регламент 2017 года по защите окружающей среды (контроль уровня шума)". Гарантированный уровень мощности звука изделия указан в разделе *Технические данные на стр. 470* и на табличке.

(Рис. 10) Данное оборудование отвечает требованиям соответствующих директив ЕС.

(Рис. 11) Данное изделие соответствует действующим директивам Великобритании.

(Рис. 12) Данное изделие имеет защиту от брызг.

(Рис. 13) Для остановки отпустите рукоятку моторного тормоза.

(Рис. 14) Нажмите на рукоятку моторного тормоза, чтобы запустить привод ножей.

(Рис. 15) Сканируемый код.

(Рис. 18) Поверните для блокировки или разблокировки.

Примечание: Другие символы/наклейки на изделии относятся к специальным требованиям сертификации на определенных рынках.

Условные обозначения на аккумуляторе и/или зарядном устройстве аккумулятора

(Рис. 19) После завершения срока службы изделие необходимо передать в пункт переработки электрического и электронного оборудования. (Только для Европы)

(Рис. 20)

Используйте аккумулятор только в изделиях, производимых партнерами POWER FOR ALL.

(Рис. 21)

(Рис. 22)

Обеспечьте защиту аккумулятора от воздействия тепла (например, от продолжительного воздействия солнечного света), огня, грязи, воды и влаги. Существует опасность взрыва и короткого замыкания.

(Рис. 16)

Зарядное устройство должно использоваться и храниться только внутри помещений.

(Рис. 17)

Двойная изоляция.

Маркировка на агрегате

(Рис. 23)

ОПАСНО: не допускайте контакта с руками и ногами.

Ответственность изготовителя

В соответствии с законами об ответственности изготовителя мы не несем ответственности за ущерб, вызванный эксплуатацией нашего изделия в результате:

- ненадлежащего ремонта изделия;
- использования для ремонта изделия неоригинальных деталей или деталей, не одобренных производителем;
- использования неоригинальных дополнительных принадлежностей или принадлежностей, не одобренных производителем;
- ремонта изделия в неавторизованном сервисном центре или неквалифицированным специалистом;

Безопасность

Инструкции по технике безопасности

Предупреждения, предостережения и примечания используются для выделения особо важных пунктов руководства.



ПРЕДУПРЕЖДЕНИЕ:

Используется, когда несоблюдение инструкций руководства может привести

к травмам или смерти оператора или находящихся рядом посторонних лиц.



ВНИМАНИЕ: Используется, когда несоблюдение инструкций руководства может привести к повреждению изделия, других материалов или прилегающей территории.

Примечание: Используется для предоставления дополнительных сведений о конкретной ситуации.

Общие меры предосторожности при работе с агрегатом



ПРЕДУПРЕЖДЕНИЕ: Ознакомьтесь со всеми предупреждениями, инструкциями, иллюстрациями и положениями, касающимися техники безопасности и прилагаемыми к данному агрегату. Несоблюдение всех указанных ниже инструкций может привести к поражению электрическим током, пожару и/или тяжелым травмам.

Сохраните все предупреждающие указания и инструкции для последующего обращения. Под словом "агрегат" в данном документе понимается электрический агрегат, работающий от сети (проводной) либо от аккумулятора (беспроводной).

Техника безопасности на рабочем месте

- Рабочее место должно содержаться в чистоте и быть хорошо освещено. Загромождения или отсутствие освещения могут стать причиной несчастных случаев.
- Не пользуйтесь агрегатом во взрывоопасной атмосфере, например, в присутствии легковоспламеняющихся жидкостей, газов или пыли. Агрегат производит искры, которые могут воспалить пыль или пары жидкостей.
- Не допускайте приближения детей и посторонних лиц к вам во время работы агрегата. Это может отвлечь ваше внимание и привести к потере управления.

Электрическая безопасность

- Вилка агрегата должна соответствовать электрической розетке. Запрещается изменять конструкцию вилки. Запрещается использовать переходники при работе с заземленными агрегатами. Отсутствие изменений в конструкции вилок и их соответствие розеткам снижает опасность поражения электрическим током.

- Избегайте контакта любых частей тела с заземленными поверхностями, такими как трубы, батареи отопления, кухонные плиты и холодильники. Заземление тела увеличивает риск поражения электрическим током.
- Не подвергайте агрегаты воздействию воды или высокой влажности. Попадание воды внутрь агрегата увеличивает риск поражения электрическим током.
- Используйте шнур только по прямому назначению. Никогда не носите и не тяните агрегат за шнур и не дергайте за него, чтобы выключить агрегат из розетки. Держите шнур вдали от источников тепла, масла, острых углов или движущихся деталей. Эксплуатация поврежденного или запутанного шнура увеличивает риск поражения электротоком.
- При работе с агрегатом вне помещений используйте подходящий удлинитель для наружных работ. Применение шнура, предназначенного для уличного использования, снижает опасность поражения электрическим током.
- Если неизбежно требуется применение агрегата во влажной среде, используйте источник питания, оснащенный устройством защитного отключения (УЗО). Применение УЗО снижает опасность поражения электрическим током.

Личная безопасность

- При работе с агрегатом будьте бдительны, следите за своими действиями и руководствуйтесь здравым смыслом. Не используйте агрегат, если вы устали или находитесь под воздействием наркотических средств, алкоголя или лекарств. Малейшая невнимательность при работе с агрегатом может обернуться серьезными травмами.
- Пользуйтесь средствами индивидуальной защиты. Всегда носите защитные очки. Средства индивидуальной защиты, такие как респиратор, нескользящая защитная обувь, каска или средства защиты органов слуха, существенно снижают риск получения травм.
- Примите меры по предотвращению случайного включения агрегата. Перед подключением агрегата к источнику питания и/или аккумуляторному блоку, его подъемом или переноской убедитесь, что переключатель находится в выключенном положении. Не держите агрегат, держа палец на переключателе, а также не подавайте питание на агрегаты с включенным переключателем, т.к. это может привести к несчастному случаю.
- Уберите все гаечные и регулировочные ключи, прежде чем включать агрегат. Ключ, оставленный на вращающейся части агрегата, может стать причиной травмы.

- **Не вытягивайте руки с агрегатом слишком далеко. Всегда сохраняйте равновесие и устойчиво ставьте ноги.** Это позволит лучше контролировать агрегат в случае возникновения непредвиденной ситуации.
- **Надевайте соответствующую одежду. Не надевайте свободную одежду или украшения. Не допускайте попадания волос и одежды в движущиеся части агрегата.** Свободная одежда, украшения или длинные волосы могут попасть в движущиеся части.
- **Если агрегат может дополнительно оснащаться устройствами для сбора и удаления пыли, убедитесь, что они подключаются и используются надлежащим образом.** Такие устройства способствуют снижению опасностей, связанных с наличием пыли.
- **Не допускайте, чтобы чувство уверенности, приобретенное вследствие частого использования агрегата, позволило вам забыть об опасностях и игнорировать принципы обеспечения безопасности.** Неосторожные действия могут привести к тяжелой травме за долю секунды.

Эксплуатация агрегата и уход за ним

- **Не перегружайте агрегат. Убедитесь, что агрегат подходит для выполнения конкретной задачи.** Правильно подобранный агрегат лучше и надежнее справится с задачей, соответствующей его конструктивным характеристикам.
- **Не пользуйтесь агрегатом, если его переключатель не работает.** Если управление агрегатом с помощью переключателя невозможно, такой агрегат представляет опасность и подлежит обязательному ремонту.
- **Прежде чем производить какую-либо настройку агрегата, заменять принадлежности или убирать его на хранение, отключите агрегат от источника питания и/или снимите аккумуляторный блок (если снимается).** Эти меры предосторожности позволяют исключить риск случайного включения агрегата.
- **Храните неиспользуемые агрегаты в недоступном для детей месте и не позволяйте работать с агрегатом лицам, не ознакомленным с ним и с данными правилами техники безопасности.** Агрегаты в руках неопытных пользователей являются источником опасности.
- **Поддерживайте агрегат и принадлежности в надлежащем состоянии. Проверьте точность настройки и отсутствие заедания движущихся частей, отсутствие поломанных деталей и иных неисправностей, которые могут нарушить работу агрегата. В случае обнаружения какой-либо неисправности устраните ее перед использованием агрегата.** Многие несчастные случаи возникают из-за недостаточно тщательного ухода за агрегатами.

- **Поддерживайте остроту и чистоту режущих инструментов.** Исправные режущие инструменты с острыми режущими кромками меньше подвержены поломкам и более просты в управлении.
- **Используйте агрегат, принадлежности, наконечники и т. д. в соответствии с данными инструкциями, принимая во внимание условия работы и специфику выполняемой задачи.** Применение агрегата не по назначению может создать опасные ситуации
- **Рукоятки и поверхности захвата должны быть сухими и чистыми, без следов масла и смазки.** Скользкие рукоятки и поверхности захвата препятствуют безопасному обращению и управлению агрегатом в непредвиденных ситуациях.

Эксплуатация и обслуживание аккумуляторного инструмента

- **Выполняйте подзарядку только с помощью зарядного устройства, указанного производителем.** Зарядное устройство, подходящее для одного типа блока аккумуляторов, может создать опасность возгорания при использовании с блоком аккумуляторов другого типа.
- **Используйте оборудование только со специально предназначенными блоками аккумуляторов.** Использование других блоков аккумуляторов может создать опасность травмы или возгорания.
- **Когда блок аккумуляторов не используется, храните его вдали от других металлических предметов, таких как скрепки, монеты, ключи, гвозди, винты или прочие мелкие предметы, которые могут замкнуть клеммы аккумулятора.** Замыкание клемм аккумулятора может привести к ожогам или пожару.
- **При неправильном обращении из аккумулятора может вытечь жидкость; не допускайте контакта с вытекшей жидкостью.** При случайном прикосновении промойте место соприкосновения водой. При попадании жидкости в глаза обратитесь за медицинской помощью. Вытекшая из аккумулятора жидкость может привести к раздражению или ожогу.
- **Запрещается использовать блок аккумуляторов или инструмент, если они повреждены или модифицированы.** Поврежденные или подвергнутые модификации аккумуляторы могут работать неисправно, что приведет к возникновению пожара, взрыва или риску травм.
- **Не подвергайте блок аккумуляторов или инструмент воздействию огня или чрезмерно высоким температурам.** Воздействие огня или температуры выше 130°C / 265°F может привести к взрыву.
- **Точно следуйте всем инструкциям по зарядке и ни в коем случае не заряжайте блок аккумуляторов или инструмент при температуре,**

выходящей за пределы указанного в инструкциях диапазона. Ненадлежащая зарядка или зарядка при температуре выше или ниже указанного диапазона может привести к повреждению аккумулятора и повышенному риску пожара.

Сервисное обслуживание

- **Сервисное обслуживание агрегата должны выполнять квалифицированные специалисты по ремонту оборудования с использованием только идентичных запчастей.** Это гарантирует безопасность эксплуатации агрегата.
- **Никогда не выполняйте обслуживание поврежденных аккумуляторных блоков.** Обслуживание аккумуляторных блоков должно выполняться только производителем или специалистами авторизованных сервисных центров.

Меры предосторожности при эксплуатации газонокосилки

- **Не используйте газонокосилку в плохих погодных условиях, особенно если существует риск удара молнии.** Это позволяет уменьшить риск поражения молнией.
- **Внимательно осмотрите участок, где будет использоваться газонокосилка, на наличие диких животных.** Во время работы газонокосилка может травмировать диких животных.
- **Внимательно осмотрите место эксплуатации газонокосилки, уберите все камни, палки, провода, кости и прочие посторонние предметы.** Отбрасываемые предметы могут стать причиной травм.
- **Каждый раз перед эксплуатацией газонокосилки осматривайте нож и его крепление на наличие износа и повреждений.** Поврежденные или изношенные детали повышают риск получения травмы.
- **Регулярно проверяйте травосборник на наличие износа или повреждений.** Поврежденный или изношенный травосборник повышает риск получения травмы.
- **Кожухи должны быть всегда установлены. Кожухи должны быть исправны и установлены надлежащим образом.** Незакрепленный, поврежденный или неправильно используемый кожух может стать причиной травмы.
- **Следите за тем, чтобы на воздухозаборниках не было загрязнений.** Засоренные воздухозаборники и мусор могут привести к перегреву или возгоранию.
- **При работе с газонокосилкой всегда надевайте защитную обувь с нескользящей подошвой. Запрещается работать с газонокосилкой босиком или в открытой обуви.** Эта мера необходима для снижения вероятности получения травм ног от контакта с вращающимся ножом.

- **При эксплуатации газонокосилки обязательно надевайте длинные брюки.** Непокрытые участки тела подвержены большому риску получения травмы от отбрасываемых предметов.
- **Запрещается эксплуатировать газонокосилку на влажной траве. Во время эксплуатации изделия следует идти, ни в коем случае не бежать.** Это снижает риск поскользывания и падения и, как следствие, получения травм.
- **Не используйте газонокосилку на очень крутых склонах.** Это снижает риск потери управления, поскользывания и падения и, как следствие, получения травм.
- **При работе на склонах всегда сохраняйте устойчивое положение, перемещайтесь поперек склона, никогда не двигайтесь вверх или вниз и будьте предельно осторожны при изменении направления движения.** Это снижает риск потери управления, поскользывания и падения и, как следствие, получения травм.
- **Будьте особенно внимательны при перемещении газонокосилки назад или на себя. Всегда следите за окружающей обстановкой.** Это снижает риск спотыкания во время работы.
- **Не прикасайтесь к ножам и другим опасным движущимся частям, пока они находятся в движении.** Это снижает риск получения травм от движущихся частей.
- **Перед удалением застрявшего материала или очисткой изделия убедитесь, что все переключатели питания отключены и шнур питания отсоединен.** Неожиданное срабатывание газонокосилки может привести к серьезной травме.

Устройство защитного отключения

- Используйте устройство защитного отключения с током отключения не более 30 мА.

Общие инструкции по технике безопасности



ПРЕДУПРЕЖДЕНИЕ: В обязательном порядке прочитайте следующие инструкции по технике безопасности, прежде чем приступить к эксплуатации агрегата.

- При небрежном или неправильном обращении агрегат может представлять собой опасность. Несоблюдение инструкций по технике безопасности может привести к травмам или смерти.
- Во время работы данный агрегат создает электромагнитное поле. В определенных обстоятельствах это поле может создавать помехи для пассивных и активных медицинских имплантатов. В целях снижения риска серьезной или смертельной травмы лицам

с медицинскими имплантатами рекомендуется проконсультироваться с врачом и изготовителем имплантата, прежде чем приступить к эксплуатации данного агрегата.

- Всегда соблюдайте осторожность и руководствуйтесь здравым смыслом. Если вы не уверены, как правильно эксплуатировать агрегат в определенной ситуации, прекратите работу и проконсультируйтесь со своим дилером Husqvarna, прежде чем продолжать.
- Помните: ответственность за аварии, угрожающие другим людям или их имуществу, несет оператор.
- Содержите агрегат в чистоте. Следите за тем, чтобы знаки и наклейки были легко читаемыми.
- Ни в коем случае не позволяйте использовать оборудование детям или лицам, не ознакомившимся с данными инструкциями. Допустимый возраст пользователя может быть ограничен местным законодательством.
- Не оставляйте без присмотра людей с физическими или умственными нарушениями, использующих агрегат. Они должны постоянно находиться под присмотром взрослого.
- Ни в коем случае не используйте агрегат, если вы устали, больны или находитесь под воздействием алкоголя, наркотических веществ или лекарственных препаратов. Это может повлиять на ваше зрение, реакцию, координацию или оценку действительности.
- Запрещается использовать агрегат, если он поврежден.
- Запрещается вносить изменения в агрегат или использовать его, если вы подозреваете, что конструкция была модифицирована другими лицами.

Техника безопасности



ПРЕДУПРЕЖДЕНИЕ: В обязательном порядке прочитайте следующие инструкции по технике безопасности, прежде чем приступить к эксплуатации агрегата.

- Агрегат предназначен исключительно для скашивания травы на газонах. Запрещается использовать агрегат не по назначению.
- Пользуйтесь средствами индивидуальной защиты. См. раздел *Средства индивидуальной защиты на стр. 458*.
- Убедитесь, что вы знаете, как быстро остановить двигатель в аварийной ситуации.
- Запрещается эксплуатировать агрегат под дождем или в условиях высокой влажности. При попадании воды внутрь агрегата повышается риск поражения электрическим током.
- Ни в коем случае не используйте агрегат с отсутствующими или неправильно

установленными кожухами или ножом. Неправильно установленный нож может высвободиться и причинить травму.

- Следите за тем, чтобы в нож не попали посторонние предметы, например, камни и корни. Это может затупить нож и привести к искривлению вала двигателя. При сгибании оси увеличивается уровень вибрации, что может привести к снижению надежности крепления ножа.
- В случае удара ножа об посторонний предмет или возникновения вибрации незамедлительно остановите агрегат. Остановите двигатель, поверните предохранительный ключ в положение "0" и снимите аккумулятор. Дождитесь остановки движущихся частей. Проверьте агрегат на наличие повреждений. Затяните ослабленные детали. Выполните ремонт и замену поврежденных деталей. Обратитесь в авторизованный сервисный центр для выполнения ремонта.
- Во время работы двигателя не прижимайте рукоятку моторного тормоза к рукоятке агрегата на длительный период времени.
- При запуске агрегат должен находиться на устойчивой, ровной поверхности. Убедитесь, что нож не касается грунта или любого другого предмета.
- При работе с агрегатом всегда стойте сзади.
- При работе с агрегатом все колеса должны стоять на земле, держите рукоятку обеими руками. Не приближайте руки или ноги к вращающимся ножам.
- Не наклоняйте агрегат при запуске двигателя или во время работы.
- Соблюдайте осторожность, когда тянете агрегат назад.
- Запрещается поднимать агрегат во время работы двигателя. В случае необходимости поднять агрегат сначала выключите двигатель, поверните предохранительный ключ в положение "0" и извлеките аккумулятор.
- Запрещается двигаться назад при работе с агрегатом.
- Остановите двигатель, если необходимо наклонить агрегат для транспортировки или перед перемещением по участкам без травы, например по дорожкам из гравия, камня или асфальта.
- Запрещается бегать с агрегатом во время работы двигателя. Работайте с агрегатом в спокойном темпе.
- Выключайте двигатель, прежде чем изменить высоту стрижки. Ни в коем случае не выполняйте регулировку при работающем двигателе.
- Ни в коем случае не выпускайте из вида агрегат с работающим двигателем. Остановите двигатель и убедитесь, что режущее оборудование не вращается.

- Вибрации агрегата во время работы могут отличаться от заявленного значения, приведенного в разделе *Технические данные на стр. 470*. Эта разница объясняется зависимостью уровня вибрации от условий эксплуатации агрегата. При частом или продолжительном использовании агрегата регулярно делайте перерывы во избежание травм от вибрации.

Инструкции по безопасности во время эксплуатации

Средства индивидуальной защиты



ПРЕДУПРЕЖДЕНИЕ: В обязательном порядке прочитайте следующие инструкции по технике безопасности, прежде чем приступить к эксплуатации агрегата.

- Средства индивидуальной защиты не могут полностью исключить риск получения травмы, но при несчастном случае они снижают тяжесть травмы. За помощью по правильному выбору оборудования обращайтесь к дилеру.
- Используйте прочные, противоскользящие ботинки. Запрещается надевать открытую обувь или работать босиком.
- Надевайте прочные длинные брюки.
- При необходимости надевайте защитные перчатки, например, при закреплении, проверке или очистке режущего оборудования.
- Рекомендуется использовать защитные наушники.

Защитные устройства на агрегате



ПРЕДУПРЕЖДЕНИЕ: В обязательном порядке прочитайте следующие инструкции по технике безопасности, прежде чем приступить к эксплуатации агрегата.

- Запрещается использовать агрегат с неисправными защитными устройствами.
- Не вносите никакие изменения в защитные устройства и не снимайте их.
- Регулярно выполняйте проверку защитных устройств. Если защитные устройства неисправны, обратитесь в сервисный центр Husqvarna.

Проверка режущей деки

Режущая дека снижает уровень вибрации изделия и риск травмирования ножом.

- Проверьте режущую деку и убедитесь, что на ней отсутствуют повреждения, такие как трещины.

Проверка предохранительного ключа

Предохранительный ключ расположен под крышкой аккумулятора. Предохранительный ключ подключает аккумулятор, от которого на двигатель поступает питание.

- Чтобы проверить работу предохранительного ключа, запустите и остановите двигатель.
- Если ключ исправен, то двигатель можно запустить только при переводе ключа в положение "1". (Рис. 24)

Проверка рукоятки моторного тормоза

Рукоятка моторного тормоза предназначена для остановки двигателя. При отпускании рукоятки тормоза двигатель останавливается.

- Запустите агрегат. См. раздел *Запуск изделия на стр. 463*.
- Отпустите рукоятку моторного тормоза. (Рис. 25)
- Убедитесь, что агрегат остановился. Если двигатель не остановится через 3 секунды, обратитесь в авторизованный сервисный центр Husqvarna для регулировки моторного тормоза.

Проверка работы ограничителя запуска

Проверьте ограничитель запуска и убедитесь, что он блокирует работу двигателя.

1. Прижмите рукоятку моторного тормоза в направлении рукоятки агрегата. Ограничитель запуска остановит движение рукоятки.
2. Поверните ограничитель запуска в направлении, указанном стрелкой. (Рис. 26)
3. Разблокируйте ограничитель запуска и убедитесь, что он возвращается в исходное положение.

Техника безопасности при работе с аккумулятором



ПРЕДУПРЕЖДЕНИЕ:

Внимательно прочитайте все инструкции и информацию по технике безопасности. Несоблюдение инструкций и техники безопасности может привести к поражению электрическим током, пожару и / или тяжелым травмам. **Сохраните всю информацию по технике безопасности и общие инструкции для дальнейшего использования.**

- Данные инструкции по технике безопасности относятся только к перезаряжаемым литий-ионным аккумуляторам на 18 В для системы POWER FOR ALL.
- Используйте перезаряжаемый аккумулятор только в изделиях, производимых партнерами POWER FOR ALL. Аккумуляторы на 18 В

с маркировкой POWER FOR ALL полностью совместимы со следующими изделиями:

– Все изделия аккумуляторной системы POWER FOR ALL на 18 В.

– Все изделия на 18 В от партнеров POWER FOR ALL.

- **Соблюдайте рекомендации по использованию аккумуляторов, приведенные в руководстве по эксплуатации вашего изделия.** Так вы сможете обеспечить безопасную эксплуатацию перезаряжаемого аккумулятора и изделия и защитить перезаряжаемые аккумуляторы от опасных перегрузок.
- **Заряжайте аккумуляторы только с помощью зарядных устройств, рекомендованных производителем или партнерами POWER FOR ALL.** Зарядное устройство, которое подходит для одного типа аккумуляторов, может создавать опасность возгорания при использовании с другими типами аккумуляторов.
- **Аккумулятор поставляется частично заряженным.** Перед первым использованием изделия полностью зарядите аккумулятор, чтобы использовать его полную емкость.
- **Храните аккумуляторные блоки в недоступном для детей месте.**
- **Не вскрывайте аккумулятор.** Существует опасность короткого замыкания.
- **В случае повреждения или неправильного использования аккумулятора могут выделяться пары.** Аккумулятор может загореться или взорваться. Убедитесь, что место хорошо проветривается, и обратитесь за медицинской помощью в случае возникновения каких-либо побочных эффектов. Пары могут раздражать дыхательную систему.
- **При неправильном использовании или повреждении аккумулятора из него может вытекать легко воспламеняющаяся жидкость.** Избегайте контакта с этой жидкостью. При случайном контакте промойте место соприкосновения водой. При попадании жидкости в глаза обратитесь за медицинской помощью. Вытекшая из аккумулятора жидкость может привести к раздражению или ожогу.
- **Если аккумулятор поврежден, жидкость может разлиться по расположенным рядом поверхностям.** Проверьте соответствующие детали. Очистите эти детали или замените их при необходимости.
- **Не допускайте короткого замыкания аккумуляторного блока.** Когда аккумуляторный блок не используется, храните его вдали от других металлических предметов, таких как скрепки, монеты, ключи, гвозди, винты или иные мелкие предметы, которые могут замкнуть клеммы аккумулятора. Замыкание клемм аккумулятора может привести к ожогам или пожару.

- **Аккумулятор может быть поврежден заостренными предметами, такими как гвозди или отвертки, или силой, прикладываемой извне.** Может произойти внутреннее короткое замыкание, которое приведет к возгоранию, задымлению, взрыву или перегреву аккумулятора.
- **Никогда не выполняйте обслуживание поврежденных аккумуляторных блоков.** Обслуживание аккумуляторных блоков должно выполняться только производителем или специалистами авторизованных сервисных центров.
- **Обеспечьте защиту аккумулятора от воздействия тепла, (например, от продолжительного воздействия солнечного света), огня, грязи, воды и влаги.** Существует опасность взрыва и короткого замыкания.
- **Используйте аккумулятор в изделии только при температуре окружающей среды в диапазоне 0 °C – +40 °C.**
- **Храните аккумулятор только при температуре окружающей среды в диапазоне -20 °C – +50 °C.** Например, запрещено оставлять аккумулятор в автомобиле летом. При температуре < 0 °C мощность некоторых устройств может снижаться.
- **Заряжайте аккумулятор только при температуре окружающей среды от 0 до +35 °C.** Заряжайте перезаряжаемый аккумулятор только с помощью USB-кабеля при температуре окружающей среды от +10 до +35 °C. Зарядка вне этого температурного диапазона может повысить риск повреждения аккумулятора и привести к возгоранию.

Техника безопасности при работе с зарядным устройством для аккумулятора



ПРЕДУПРЕЖДЕНИЕ:

Внимательно прочитайте все инструкции и информацию по технике безопасности. Несоблюдение инструкций и техники безопасности может привести к поражению электрическим током, пожару и / или тяжелым травмам. **Храните данные инструкции в надежном месте.** Используйте зарядное устройство только при условии, что вы можете полностью оценить все функции и выполнить их без ограничений или если вы получили соответствующие инструкции.

- Данное зарядное устройство не предназначено для использования детьми и лицами с нарушениями чувствительности или ограниченными умственными или физическими способностями, а также лицами без соответствующего опыта и знаний. Данное зарядное устройство может использоваться детьми старше 8 лет и лицами с нарушениями чувствительности или

ограниченными умственными или физическими способностями, если лицо, ответственное за их безопасность, контролирует их или предварительно проинструктирует их по безопасной эксплуатации зарядного устройства и при условии, что они понимают возможные риски. В противном случае возникает риск ошибок в процессе эксплуатации и травм.

- Следите за детьми во время использования, очистки и технического обслуживания изделия. Не позволяйте детям играть с зарядным устройством.
- Заряжайте только аккумуляторы POWER FOR ALL на 18 В с емкостью 1,5 А·ч. Напряжение аккумулятора должно соответствовать напряжению зарядки зарядного устройства. Заряжать одноразовые аккумуляторы запрещено. В противном случае возникает риск возгорания или взрыва.
- Используйте зарядное устройство только в закрытых помещениях и не подвергайте его воздействию влаги. Попадание воды внутрь изделия увеличивает риск поражения электрическим током.
- Содержите зарядное устройство в чистоте. Из-за грязи возникает опасность поражения электрическим током.
- Перед использованием всегда проверяйте зарядное устройство, кабель и вилку. При обнаружении повреждений прекратите использование зарядного устройства. Не вскрывайте зарядное устройство самостоятельно. Его ремонт должен выполняться только квалифицированным специалистом Husqvarna или в официальном сервисном центре с использованием только оригинальных запасных частей. Эксплуатация поврежденных зарядного устройства, кабелей и разъемов увеличивает риск поражения электрическим током.
- Не используйте зарядное устройство на легковоспламеняемой поверхности (например, на бумаге, ткани и т. д.) или в горючей среде. Существует опасность возгорания из-за нагрева зарядного устройства во время работы.
- Не закрывайте вентиляционные отверстия зарядного устройства. В противном случае зарядное устройство может перегреться и работать неправильно.
- Выполняйте зарядку только с помощью зарядного устройства, указанного производителем. Зарядное устройство, подходящее для одного типа аккумуляторного блока, может создать опасность возгорания при использовании с аккумуляторным блоком другого типа.
- В случае повреждения или неправильного использования аккумулятора могут также выделяться пары. Убедитесь, что место хорошо проветривается, и обратитесь за медицинской помощью в случае возникновения каких-либо

побочных эффектов. Пары могут раздражать дыхательную систему.

- При неблагоприятных условиях из аккумулятора может вытечь жидкость. Избегайте контакта с этой жидкостью. При случайном контакте промойте место соприкосновения водой. При попадании жидкости в глаза обратитесь за медицинской помощью. Вытекающая из аккумулятора жидкость может привести к раздражению или ожогу.
- Изделия, продаваемые только в Великобритании: Изделие оснащено электрической вилкой стандарта BS 1363/A с внутренним предохранителем (одоброено ASTA для BS 1362). Если вилка не подходит к розетке, следует отключить ее и обратиться в авторизованный сервисный центр для установки подходящей вилки. Используемая для замены вилка должна иметь тот же номинал предохранителя, что и оригинальная вилка. Во избежание риска поражения электрическим током следует утилизировать снятую вилку. Запрещается вставлять вилку в розетку.

Инструкции по технике безопасности во время технического обслуживания



ПРЕДУПРЕЖДЕНИЕ: В обязательном порядке прочитайте следующие инструкции по технике безопасности, прежде чем приступить к эксплуатации агрегата.

- Во избежание случайного запуска во время обслуживания поверните предохранительный ключ в положение "0" и извлеките аккумулятор. Подождите не менее 5 секунд, прежде чем приступить к обслуживанию.
- Выполняйте техобслуживание строго в соответствии с инструкциями, приведенными в руководстве по эксплуатации. Более масштабные работы по обслуживанию и профессиональному ремонту должны выполняться специалистами авторизованного сервисного центра. Для получения дополнительной информации обратитесь в ближайшее представительство компании.
- Чтобы продлить срок службы агрегата и снизить вероятность несчастных случаев, соблюдайте все требования к проведению обслуживания.
- Замените поврежденные, сломанные или изношенные детали. Всегда используйте оригинальные запчасти от производителя. Другие запчасти могут привести к повреждению агрегата и повысить риск несчастных случаев.
- Во избежание травм не носите никакие изменения в защитные устройства и не снимайте их.

- При работе с режущим оборудованием используйте прочные перчатки. Нож очень острый, что при неосторожном обращении может легко привести к порезам.
- Для повышения качества и безопасности работы регулярно затачивайте и чистите режущие крошки.
- Регулярно обращайтесь в сервисный центр для проверки агрегата и выполнения необходимых регулировок и ремонта.
- Соблюдайте указания по замене принадлежностей. Пользуйтесь только оригинальными принадлежностями.
- Храните агрегат, аккумулятор и зарядное устройство по отдельности в сухом помещении под замком. Не допускайте к агрегату, аккумулятору и зарядному устройству детей и лиц, не имеющих соответствующего разрешения.

Сборка

Введение



ПРЕДУПРЕЖДЕНИЕ: Прежде чем выполнять сборку изделия, прочитайте раздел, посвященный технике безопасности.



ПРЕДУПРЕЖДЕНИЕ: Во избежание случайного запуска во время сборки переведите предохранительный ключ в положение "0", извлеките аккумулятор и подождите не менее 5 секунд.

Регулировка рукоятки по высоте

Рукоятка изделия свободно регулируется по высоте. Рукоятку можно установить на подходящую высоту между 2 установочными точками.

1. Установите изделие в рабочее положение. См. раздел *Установка изделия в рабочее положение на стр. 462*.
2. Поверните фиксаторы на рукоятках против часовой стрелки. (Рис. 27)
3. Потяните рукоятки в подходящее положение.
4. Установите 2 рукоятки на одном уровне.



ВНИМАНИЕ: Если рукоятки расположены неровно, изделие будет повреждено.

5. Поверните фиксаторы на рукоятках по часовой стрелке.
6. Полностью затяните фиксаторы.

Установка травосборника

1. Поднимите заднюю крышку.
2. Снимите пробку для мульчирования.

3. Установите травосборник на верхний край шасси.
4. Поместите нижнюю часть травосборника у канала для выброса травы. (Рис. 28)



ВНИМАНИЕ: Убедитесь, что травосборник надежно прилегает к шасси изделия.

Установка пробки для мульчирования

1. Поднимите заднюю крышку и снимите травосборник.
2. Вставьте пробку для мульчирования в канал для выброса травы до щелчка. (Рис. 29)

Монтаж крюка на стену

- Установите крюк в помещении.
- Крюк должен быть защищен от солнечных лучей и размещен в месте с температурой окружающей среды от -10 до +70 °С.
- Монтаж крюка возможен на гипсокартоне, деревянной или бетонной стене.



ВНИМАНИЕ: Убедитесь, что стена может выдерживать нагрузку не менее 30 кг.

- Установите крюк на стену с помощью 3 винтов (А). При необходимости используйте дюбели (В). (Рис. 30)



ВНИМАНИЕ: Убедитесь, что винты выбраны с учетом материала стены.

- Обратитесь в сервисный центр Husqvarna для получения информации о доступных принадлежностях для хранения вашего изделия.

Эксплуатация

Введение



ПРЕДУПРЕЖДЕНИЕ: Перед эксплуатацией прибора необходимо внимательно изучить раздел безопасности.

Husqvarna Connect

Husqvarna Connect представляет собой бесплатное приложение для мобильного устройства. Приложение Husqvarna Connect позволяет пользоваться расширенными функциями вашего изделия Husqvarna:

- Дополнительная информация об изделии.
- Сведения о деталях и помощь в техническом обслуживании.

Начало работы с Husqvarna Connect

1. Загрузите приложение Husqvarna Connect на свое мобильное устройство.
2. Зарегистрируйтесь в приложении Husqvarna Connect.
3. Выполните пошаговые инструкции в приложении Husqvarna Connect для подключения и регистрации агрегата.

Примечание: Приложение Husqvarna Connect доступно для загрузки не на всех рынках. Для получения более подробной информации обратитесь в свой сервисный центр.

Установка изделия в рабочее положение

1. Поверните фиксаторы рукояток в разблокированное положение. (Рис. 31)
2. Переведите рукоятку вверх до щелчка. (Рис. 32)



ВНИМАНИЕ: Убедитесь, что кабели не натянуты слишком сильно. Если кабель натянут слишком сильно, он может быть поврежден при складывании рукоятки в положение для транспортировки.



ПРЕДУПРЕЖДЕНИЕ: Убедитесь, что рукоятка полностью сложена и зафиксирована.

3. Отрегулируйте рукоятку по высоте. См. раздел *Регулировка рукоятки по высоте на стр. 461.*

Регулировка высоты кошения

1. Переведите рычаг регулировки высоты кошения назад, чтобы увеличить высоту кошения.
2. Переведите рычаг регулировки высоты кошения вперед, чтобы уменьшить высоту кошения. (Рис. 33)



ВНИМАНИЕ: Не устанавливайте высоту кошения на слишком низкий уровень. Ножи могут ударяться о землю, если поверхность газона неровная.

Аккумулятор



ПРЕДУПРЕЖДЕНИЕ: Перед эксплуатацией аккумулятора ознакомьтесь с разделом, посвященным безопасности, и усвойте его содержание. Прочтите и усвойте также все сведения, приведенные в руководстве по эксплуатации аккумулятора и зарядного устройства.

Храните аккумулятор и зарядное устройство при допустимой температуре окружающей среды.

| | Температура окружающей среды |
|--------------------------------------|------------------------------|
| Использование аккумулятора в изделии | 0 °C – +40 °C |
| Зарядка аккумулятора | 0 °C – +35 °C |

Зарядка аккумулятора

Зарядите аккумулятор перед первым использованием.

Примечание: Процесс зарядки возможен только в том случае, если температура аккумулятора находится в пределах допустимого диапазона температур для зарядки (0–45 °C).

1. Подключите разъем шнура питания зарядного устройства к заземленной розетке.



ВНИМАНИЕ: Убедитесь, что напряжение и частота сети соответствуют характеристикам устройства.

- Вставьте аккумулятор в зарядное устройство. Когда аккумулятор подключен к зарядному устройству, зеленый светодиодный индикатор мигает. (Рис. 34)
- Когда аккумулятор полностью заряжен, зеленый светодиодный индикатор на зарядном устройстве горит ровным светом. Длительность зарядки аккумулятора не должна превышать 24 часа.
- Отключите зарядное устройство от сети.



ВНИМАНИЕ: Не тяните за шнур питания.

- Извлеките аккумулятор из зарядного устройства.

Светодиодные индикаторы состояния аккумулятора на зарядном устройстве

Красный (А) и зеленый (В) светодиодные индикаторы на зарядном устройстве показывают состояние аккумулятора. См. раздел *Поиск и устранение неисправностей зарядного устройства на стр. 466*.

(Рис. 35)

| Светодиодный индикатор | Состояние аккумулятора |
|---|--|
| Зеленый светодиодный индикатор быстро мигает. | Аккумулятор заряжается. |
| Зеленый светодиодный индикатор медленно мигает. | Аккумулятор заряжен на 80%. |
| Зеленый светодиодный индикатор горит ровным светом. | Аккумулятор полностью заряжен. |
| Красный светодиодный индикатор горит ровным светом. | См. раздел <i>Поиск и устранение неисправностей зарядного устройства на стр. 466</i> . |
| Красный светодиодный индикатор быстро мигает. | См. раздел <i>Поиск и устранение неисправностей зарядного устройства на стр. 466</i> . |

Светодиодные индикаторы состояния аккумулятора на изделии

Когда аккумулятор установлен в изделие, светодиодные индикаторы на изделии показывают состояние аккумулятора.

(Рис. 36)

| Светодиодный индикатор | Состояние аккумулятора |
|---|---|
| Светодиодные индикаторы 1, 2 и 3 горят. | Аккумулятор полностью заряжен. |
| Светодиодные индикаторы 1 и 2 горят. | Достаточный уровень заряда |
| Светодиодный индикатор 1 горит. | Низкий заряд аккумулятора. |
| Светодиодный индикатор 1 мигает. | Аккумулятор разряжен. Индикатор состояния аккумулятора мигает. Зарядите аккумулятор. См. раздел <i>Зарядка аккумулятора на стр. 462</i> . |

Запуск изделия

- Откройте крышку аккумулятора.
- Вставьте заряженный аккумулятор в держатель.
- Переведите предохранительный ключ в положение "1". (Рис. 37)
- Встаньте позади изделия.
- Разблокируйте ограничитель запуска. (Рис. 26)
- Прижмите рукоятку моторного тормоза в направлении рукоятки управления. (Рис. 38)

Функция высокой нагрузки

При стрижке высокой или влажной травы двигатель автоматически увеличивает число оборотов. Когда надобность в высокой нагрузке отпадает, двигатель возвращается в стандартный режим работы.

Остановка двигателя

Во время работы нож и двигатель могут временно остановиться из-за помех, например из-за скопления травы под кожухом режущего оборудования. См. раздел *Очистка изделия на стр. 465*.



ПРЕДУПРЕЖДЕНИЕ: Перед проверкой кожуха режущего оборудования отпустите рукоятку моторного тормоза, поверните предохранительный ключ в положение "0", извлеките аккумулятор и подождите не менее 5 секунд. При случайном запуске изделия во время удаления помехи существует риск получения травмы.

Остановка изделия



ПРЕДУПРЕЖДЕНИЕ: Прежде чем оставить изделие без присмотра, переведите предохранительный ключ в положение "0".

1. Отпустите рукоятку моторного тормоза, чтобы остановить двигатель. (Рис. 39)
2. Откройте крышку аккумулятора и поверните предохранительный ключ в положение "0". (Рис. 40)
3. Чтобы извлечь аккумулятор, нажмите на кнопку фиксатора и вытяните аккумулятор. (Рис. 41)
4. Зарядите аккумулятор, если он разряжен. Дополнительную информацию см. в разделе *Зарядка аккумулятора на стр. 462.*

Достижение оптимальных результатов

- Всегда пользуйтесь хорошо заточенным ножом. Затупившийся нож будет стричь траву неровно, и в месте среза трава будет желтеть. При использовании острого ножа также затрачивается меньше энергии, чем при работе с затупившимся ножом.

- Не срезайте более $\frac{1}{2}$ всей длины травы. Выполните первую стрижку на большей высоте. Проверьте полученный результат и уменьшите высоту стрижки до необходимого уровня. Если трава высокая, передвигайте газонокосилку медленно и, при необходимости, используйте газонокосилку 2 раза.
- Если вы хотите избежать образования полос на вашем газоне, следует каждый раз стричь его в разных направлениях.
- Следите за чистотой режущей деки. Скопление травы и грязи на внутренней стороне режущей деки может привести к ухудшению качества кошения. См. раздел *Очистка изделия на стр. 465.*

Техническое обслуживание

Введение



ПРЕДУПРЕЖДЕНИЕ: Перед выполнением техобслуживания необходимо внимательно изучить и понять раздел безопасности.

Для выполнения любых работ по сервисному обслуживанию и ремонту агрегата необходимо пройти специальное обучение. Мы гарантируем доступность услуг по профессиональному ремонту и сервисному обслуживанию. Если ваш дилер не занимается сервисным обслуживанием, обратитесь к нему для получения информации о ближайшем сервисном центре.

Дополнительную информацию см. в разделе www.husqvarna.com.

График технического обслуживания

График технического обслуживания составлен исходя из ежедневного использования изделия. Если изделие не используется ежедневно, интервалы техобслуживания изменятся.

Инструкции по техническому обслуживанию, отмеченному знаком *, см. в разделе *Безопасность на стр. 453.*

| | При каждом использовании | Ежемесячно | Каждый сезон |
|---|--------------------------|------------|--------------|
| Выполните общий осмотр. | X | | |
| Очистите изделие. | X | | |
| Проверьте работу ограничителя запуска. * | X | | |
| Убедитесь, что защитные устройства изделия не повреждены. * | X | | |

| | При ка- ждом ис- пользо- вании | Ежеме- сячно | Каждый сезон |
|---|---|-----------------|-----------------|
| Проверьте режущее оборудование. | X | | |
| Проверьте кожу режущего оборудования. * | X | | |
| Проверьте рукоятку моторного тормоза. * | X | | |
| Проверьте аккумулятор на наличие повреждений. | X | | |
| Проверьте уровень заряда аккумулятора. | X | | |
| Проверьте работу кнопки фиксатора и надежность установки аккумулятора в изделии. | X | | |
| Проверьте состояние и правильность работы зарядного устройства. | | X | |
| Проверьте соединения между аккумулятором и изделием. Проверьте также соединения между аккумулятором и зарядным устройством. | | | X |

Выполнение общего осмотра

- Проверьте затяжку гаек и винтов на изделии.
- Убедитесь, что расположение кабелей не допускает возможности их повреждения.

Очистка изделия

- Очистите пластмассовые детали чистой и сухой тканью.
- Не используйте воду для очистки изделия от загрязнений. Попадание воды в аккумулятор или двигатель может вызвать короткое замыкание или повредить изделие.
- Не используйте моечный агрегат высокого давления для очистки изделия.
- Не направляйте струю воды непосредственно на двигатель.
- Используйте щетку для удаления листьев, травы и грязи.

Очистка аккумулятора и зарядного устройства



ПРЕДУПРЕЖДЕНИЕ: Очистка аккумулятора или зарядного устройства водой запрещена.



ПРЕДУПРЕЖДЕНИЕ: Не используйте химические реагенты для очистки аккумулятора.

- Прежде чем устанавливать аккумулятор в зарядное устройство, убедитесь, что аккумулятор и зарядное устройство чистые и сухие.
- Используйте для очистки клемм аккумулятора сжатый воздух или мягкую и сухую ткань.

- Очистите поверхности аккумулятора и зарядного устройства мягкой и сухой тканью.

Проверка режущего оборудования



ПРЕДУПРЕЖДЕНИЕ: Во избежание случайного запуска переведите предохранительный ключ в положение "0", извлеките аккумулятор и подождите не менее 5 секунд.



ПРЕДУПРЕЖДЕНИЕ: Надевайте защитные перчатки при техобслуживании режущего оборудования. Нож очень острый, что при неосторожном обращении может легко привести к порезам.

1. Проверьте режущее оборудование на наличие повреждений или трещин. Всегда заменяйте поврежденное режущее оборудование.
2. Осмотрите нож на наличие повреждений или следов притупления.

Примечание: После заточки ножа необходимо выполнить его балансировку. Обратитесь в сервисный центр для выполнения заточки, замены и балансировки ножа. При столкновении с препятствием, которое привело в остановку изделия, замените поврежденный нож. Сервисный центр должен определить, следует ли заточить нож или лучше его заменить.

Замена ножа

Информацию о подходящем типе ножа см. в разделе *Технические данные на стр. 470*.



ПРЕДУПРЕЖДЕНИЕ:

Заблокируйте нож деревянным бруском, чтобы избежать травм пальцев при замене ножа. Нож может сместиться при выключенном двигателе, в результате чего пальцы могут застрять между ним и неподвижными деталями.

1. Заблокируйте нож деревянным бруском. (Рис. 42)
2. Снимите болт ножа.
3. Снимите нож.
4. Проверьте опору и болт ножа на наличие повреждений.
5. Осмотрите вал двигателя на наличие деформаций.
6. При установке нового ножа находящиеся под углом края должны быть обращены в направлении кожуха режущего оборудования. (Рис. 43)

7. Убедитесь, что нож выставлен по центру вала двигателя.
8. Заблокируйте нож деревянным бруском. Установите пружинную шайбу и затяните болт с шайбой моментом 23-28 Н·м. (Рис. 44)
9. Проверните нож рукой и убедитесь, что он свободно вращается.



ПРЕДУПРЕЖДЕНИЕ:

Используйте прочные защитные перчатки. Нож очень острый, и при неосторожном обращении он может легко привести к порезам.

10. Запустите изделие, чтобы проверить работу ножа. Если нож установлен неправильно, вы ощутите вибрацию изделия или результат кошения будет неудовлетворительным.

Поиск и устранение неисправностей

Поиск и устранение неисправностей зарядного устройства

| Светодиодный индикатор на зарядном устройстве аккумулятора | Причина | Решение |
|--|---|--|
| Зеленый светодиодный индикатор горит, а красный светодиодный индикатор мигает. | Аккумулятор неправильно установлен в зарядное устройство. | Извлеките аккумулятор из зарядного устройства, затем правильно установите его в зарядное устройство. |
| | Разъемы аккумулятора загрязнены. | Очистите разъемы аккумулятора. |
| | Зарядное устройство определило внутреннюю ошибку. | Убедитесь, что все аккумуляторы полностью вставлены. Извлеките вилку сетевого шнура, а затем подключите ее снова. Если ошибка возникает снова, обратитесь в официальный сервисный центр Husqvarna для проверки зарядного устройства. |
| | Аккумулятор неисправен. | Замените аккумулятор. |
| Красный светодиодный индикатор горит, а зеленый светодиодный индикатор выключен. | Температура аккумулятора вне допустимого диапазона для зарядки. | Подождите, пока температура аккумулятора снова будет в допустимых пределах для зарядки (0–45 °C). |

| Светодиодный индикатор на зарядном устройстве аккумулятора | Причина | Решение |
|--|---|---|
| Зеленый и красный светодиодный индикаторы не горят. | Зарядное устройство неправильно подключено к сетевой розетке. | Подключите зарядное устройство к сетевой розетке. |
| | Неисправна сетевая розетка. | Подсоединяйте зарядное устройство к сети питания с напряжением и частотой, указанными на паспортной табличке. |
| | Кабель зарядного устройства поврежден. | Обратитесь в авторизованный сервисный центр. |
| | Зарядное устройство для аккумулятора неисправно. | |
| Прочие ошибки. | При возникновении других ошибок выключите изделие, извлеките аккумулятор и обратитесь в авторизованный сервисный центр. | |

Поиск и устранение неисправностей газнокосилки

Предупреждающий индикатор (светодиодный индикатор ошибки) расположен на задней части изделия, под крышкой аккумулятора.

| Проблема | Светодиодный индикатор ошибки (количество миганий) | Причина | Решение |
|---|--|--|--|
| Мигает светодиодный индикатор ошибки. Изделие не работает надлежащим образом. | 5 | Нож заблокирован. | Переведите предохранительный ключ в положение "0" во избежание случайного запуска. Извлеките аккумулятор и подождите не менее 5 секунд. Устраните возможные препятствия и убедитесь, что нож может свободно вращаться. Если неисправность не устранена, обратитесь в авторизованный сервисный центр. |
| | | Слишком низкая частота вращения двигателя привела к остановке двигателя. | Увеличьте высоту кошения. См. раздел <i>Регулировка высоты кошения на стр. 462.</i> |
| | 10 | Перегрев системы управления двигателем. | Остановите двигатель и подождите, пока он остынет. |

| Проблема | Светодиодный индикатор ошибки (количество миганий) | Причина | Решение |
|--|--|--|--|
| Мигает светодиодный индикатор ошибки. Изделие останавливается. | 22 | Перегрев аккумулятора из-за слишком высокой температуры окружающей среды. | Извлеките аккумулятор из изделия и подождите, пока он остынет, прежде чем снова использовать изделие. Убедитесь, что температура окружающей среды соответствует норме. Используйте аккумулятор при температуре от 0 до +40 °С. Если проблема не устранена, обратитесь в официальный сервисный центр. |
| | | Перегрев аккумулятора из-за перегрузки двигателя | Увеличьте высоту кошения. См. раздел <i>Регулировка высоты кошения на стр. 462</i> . Если неисправность не устранена, обратитесь в авторизованный сервисный центр. |
| | 0 | Неисправность разъема аккумулятора. | Осмотрите разъем аккумулятора. |
| | 3 | Перегрузка двигателя. | Увеличьте высоту кошения. См. раздел <i>Регулировка высоты кошения на стр. 462</i> . |
| | 9 | Ошибка аккумулятора или отсутствие сигнала от аккумулятора. | Установите аккумулятор в изделие надлежащим образом и проверьте разъем аккумулятора. Если на аккумуляторе мигает светодиодный индикатор ошибки, см. раздел <i>Поиск и устранение неисправностей зарядного устройства на стр. 466</i> . Если неисправность не устранена, обратитесь в авторизованный сервисный центр. |
| | 8 | Слишком низкий заряд аккумулятора. | Зарядите аккумулятор. См. раздел <i>Зарядка аккумулятора на стр. 462</i> . |
| | 12 | Неверная процедура запуска. Рукоятка моторного тормоза задействована до запуска двигателя. | Отпустите рукоятку моторного тормоза и подождите приблизительно 5 секунд. Еще раз нажмите на рукоятку моторного тормоза, чтобы запустить изделие. |
| Прочие ошибки. | При возникновении других ошибок поверните предохранительный ключ в положение "0", извлеките аккумулятор и обратитесь в авторизованный сервисный центр. | | |

Транспортировка, хранение и утилизация

Вводная информация

"0", извлеките аккумулятор и подождите не менее 5 секунд.



ПРЕДУПРЕЖДЕНИЕ: Во избежание случайного запуска во время транспортировки и хранения переведите предохранительный ключ в положение

Установка изделия в положение для транспортировки

1. Снимите травосборник и вытряхните его содержимое.
2. Поверните фиксаторы на рукоятке против часовой стрелки в разблокированное положение. (Рис. 45)
3. Прижмите рукоятку по направлению к задней крышке.
4. Поверните фиксаторы на рукоятке по часовой стрелке в заблокированное положение.
5. Поверните фиксаторы рукояток в разблокированное положение. (Рис. 46)
6. Переведите рукоятку вниз до щелчка. (Рис. 47)

Инструкции по хранению см. в разделе *Установка изделия в положение для хранения на стр. 469*.

Транспортировка

- На литий-ионные аккумуляторы в комплекте изделия распространяются требования, предъявляемые к опасным товарам.
- Соблюдайте специальные требования к перевозке коммерческим транспортом, указанные на упаковке и ярлыках.
- При подготовке изделия к транспортировке тщательно выполняйте все требования, предъявляемые к опасным веществам. Могут также применяться требования местного законодательства.
- Перед транспортировкой всегда извлекайте аккумулятор.
- Заклейте разъемы аккумулятора лентой и закрепите аккумулятор таким образом, чтобы во время транспортировки он не мог сместиться.
- Надежно закрепите изделие на время транспортировки.

Хранение

- Перед помещением изделия на хранение дайте ему остыть.
- Перед транспортировкой всегда извлекайте аккумулятор.
- Во избежание несчастных случаев при помещении изделия на хранение убедитесь, что к нему не подключен аккумулятор.
- Храните зарядное устройство в закрытом и сухом помещении.
- Храните аккумулятор и зарядное устройство в сухом помещении, защищенном от влаги и низких температур.
- Храните аккумулятор отдельно от зарядного устройства.
- Не допускается хранение аккумулятора в местах, где возможно возникновение

статического электричества. Запрещается хранить аккумулятор в металлической коробке.

- Храните изделие при температуре окружающей среды в диапазоне от -20 до +50 °C.
- Храните аккумулятор при температуре окружающей среды в диапазоне от -20 до +50 °C и не подвергайте воздействию прямых солнечных лучей.
- Храните зарядное устройство в сухом помещении, защищенном от низких температур.
- Перед помещением аккумулятора на длительное хранение очистите и зарядите его.
- Храните изделие, аккумулятор и зарядное устройство в запечатом помещении, вне доступа детей и лиц, не имеющих соответствующего разрешения.
- Очистите изделие и вытряхните содержимое травосборника.
- Выполняйте техобслуживание в соответствии с инструкциями, приведенными в данном руководстве по эксплуатации. См. раздел *Техническое обслуживание на стр. 464*.
- Перед помещением изделия на длительное хранение проведите полное обслуживание.

Установка изделия в положение для хранения



ПРЕДУПРЕЖДЕНИЕ: Во избежание случайного запуска во время транспортировки и хранения переведите предохранительный ключ в положение "0", извлеките аккумулятор и подождите не менее 5 секунд.

1. Извлеките аккумулятор.
2. Установите изделие в положение для транспортировки. См. раздел *Установка изделия в положение для транспортировки на стр. 469*.
3. Установите изделие в положение для хранения.

Хранение изделия в горизонтальном положении на полу

1. Установите изделие в положение для хранения. См. раздел *Установка изделия в положение для хранения на стр. 469*.
2. Установите травосборник. См. раздел *Установка травосборника на стр. 470*.
3. Положите изделие в горизонтальном положении на пол. (Рис. 48)

Хранение изделия в вертикальном положении на полу

1. Установите изделие в положение для хранения. См. раздел *Установка изделия в положение для хранения на стр. 469*.

2. Поднимите изделие за точки подъема на рукоятке и установите его вертикально на ровную поверхность. (Рис. 49)



ПРЕДУПРЕЖДЕНИЕ: Не поднимайте изделие за кожух режущего оборудования. Нож очень острый, и при неосторожном обращении он может легко привести к порезам.

3. Установите травосборник. См. раздел *Установка травосборника на стр. 470.*
4. Убедитесь, что изделие находится в устойчивом положении и 2 опорные ножки касаются пола.
5. Разместите изделие вертикально на полу. (Рис. 50)

Хранение изделия вертикально на входящем в комплект крюке



ПРЕДУПРЕЖДЕНИЕ: Вешать изделие можно только на крюк, входящий в комплект поставки.

1. Установите крюк, входящий в комплект поставки. См. раздел *Монтаж крюка на стену на стр. 461.*
2. Установите изделие в положение для хранения. См. раздел *Установка изделия в положение для хранения на стр. 469.*
3. Поднимите изделие за точки подъема на рукоятке. (Рис. 49)



ПРЕДУПРЕЖДЕНИЕ: Не поднимайте изделие за кожух режущего оборудования. Нож очень острый, и при неосторожном обращении он может легко привести к порезам.

4. Повесьте изделие вертикально на входящий в комплект крюк. См. раздел *Монтаж крюка на стену на стр. 461.* (Рис. 51)
5. Убедитесь, что изделие правильно подвешено и находится в устойчивом положении на 2 выступах крюка.

6. Установите травосборник. См. раздел *Установка травосборника на стр. 470.*

Установка травосборника

1. Поместите травосборник в паз в передней части изделия. (Рис. 52)
2. Прижмите нижнюю часть травосборника к точке подъема до щелчка. (Рис. 53)

Утилизация

Обозначения на изделии или его упаковке указывают, что данное изделие не может быть утилизировано в качестве бытовых отходов. Оно должно быть передано в соответствующий пункт для переработки электрического и электронного оборудования.

Соблюдая правила утилизации, вы можете предотвратить возможное отрицательное воздействие на окружающую среду и здоровье людей, которые могут пострадать в результате неправильной утилизации изделия. Подробнее о правилах утилизации подобных изделий можно узнать в местном муниципалитете и/или службах, занимающихся переработкой бытовых отходов, либо в магазине, где вы приобрели изделие.

(Рис. 54)

Только для стран ЕС: В соответствии с директивой 2006/66/ЕС неисправные или отработанные аккумуляторные блоки/аккумуляторы должны собираться отдельно и утилизироваться в соответствии с требованиями экологической безопасности.

Только для Великобритании: В соответствии с нормативами по утилизации батарей и аккумуляторов от 2009 г. (SI 2009/890) (с поправками), аккумуляторные блоки/аккумуляторы, которые больше не используются, должны собираться отдельно и утилизироваться безопасным для окружающей среды способом.

Технические данные

Технические данные

| | |
|--|---|
| | Aspire LC34-P4A |
| Двигатель режущего оборудования | |
| Тип двигателя | Бесщеточный двигатель постоянного тока (BLDC), 18 В |
| Частота вращения двигателя — номинальная, об/мин | 3000 |

| | |
|--|------------------------|
| | Aspire LC34-P4A |
| Частота вращения двигателя — высокая нагрузка, об/мин | 3500 |
| Мощность двигателя — макс., кВт | 0,7 |
| Мощность двигателя — номинальная, кВт | 0,5 |
| Приводной двигатель | |
| Мощность двигателя — номинальная, кВт | Неприменимо |
| Скорость самостоятельного хода, км/ч | Неприменимо |
| Уровни регулировки скорости | Неприменимо |
| Вес | |
| Вес без травосборника (без аккумулятора), кг | 11,5 |
| Вес с травосборником (вкл. 1 аккумулятор P4A 18-B72), кг | 13,5 |
| Аккумулятор | |
| Тип аккумулятора | Литий-ионный |
| Рабочий цикл аккумулятора | |
| Время работы от аккумулятора, мин, ⁸¹ | 60 |
| Излучение шума⁸² | |
| Уровень мощности звука, измеренный, дБ(А) | 86 |
| Уровень мощности звука, гарантированный, L _{WA} , дБ(А) | 87 |
| Уровни шума⁸³ | |
| Уровень звукового давления на уши оператора, дБ(А) | 74 |
| Уровни вибрации⁸⁴ | |
| На рукоятке, м/с ² | 0,5 |
| Режущее оборудование | |
| Высота кошения, мм | 30–65 |
| Ширина кошения, см | 34 |
| Нож стандартный | Combi 5375561-10 |
| Нож, принадлежность | Неприменимо |
| Емкость травосборника, л | 30 |

⁸¹ (на холостом ходу) в стандартном режиме, с одним аккумулятором Husqvarna 4,0 А·ч (P4A 18-B72).

⁸² Излучение шума в окружающую среду измеряется как мощность звука (L_{WA}) согласно директиве ЕС 2000/14/ЕС.

⁸³ Указанные данные об уровне шумового давления имеют погрешность (К) 1,5 дБ(А).

⁸⁴ Указанные данные об уровне вибрации имеют погрешность (К) 1,5 м/с². Заявленное суммарное значение вибрации измерено в соответствии со стандартом EN 62841-4-3, приложение I, и может быть использовано для сравнения одного изделия с другим, а также для предварительной оценки воздействия.

Рекомендованные аккумуляторы

производительности рекомендуется использовать аккумуляторы емкостью не менее 4,0 А·ч.

Данное изделие совместимо со всеми аккумуляторами **POWER FOR ALL**. Для оптимальной

| Аккумулятор | P4A 18-B45 | P4A 18-B72 |
|-------------------------------------|--------------|--------------|
| Тип | Литий-ионный | Литий-ионный |
| Емкость аккумулятора, А·ч | 2,5 | 4,0 |
| Номинальное напряжение, В | 18 | 18 |
| Вес, кг | 0,35 | 0,65 |
| Количество элементов (литий-ионный) | 5 | 10 |

Рекомендованные зарядные устройства

| Зарядное устройство | P4A 18-C70 |
|-----------------------|------------|
| Входное напряжение, В | 220–240 |
| Частота, Гц | 50–60 |
| Мощность, Вт | 70 |

Декларация о соответствии

Декларация соответствия требованиям ЕС

Мы, компания **Husqvarna AB**, SE-561 82
Husqvarna, Швеция, тел.: +46-36-146500, с полной
ответственностью заявляем, что изделие:

| | |
|----------------------|---|
| Описание | Газонокосилка |
| Марка | Husqvarna |
| Тип / Модель | Aspire LC34-P4A |
| Идентификация | Серийные номера начиная с 2022 года и далее |

полностью соответствует следующим директивам и
нормативам ЕС:

| Норматив | Описание |
|-----------------|--|
| 2006/42/ЕС | "О механическом оборудовании" |
| 2014/30/EU | "Об электромагнитной совместимости" |
| 2000/14/ЕС | "Об излучении шума в окружающую среду" |
| 2011/65/EU | "Об ограничении использования определенных опасных веществ в электрическом и электронном оборудовании" |

а также требованиям следующих стандартов
и/или технических регламентов: EN 62841-1:2015/
AC:2015, EN IEC 62841-4-3:2021/A11:2021, EN ISO
12100:2010, EN 55014-1:2021, EN 55014-2:2021, EN
IEC 61000-6-2:2019, EN IEC 61000-6-3:2021, EN IEC
63000:2018

Уполномоченная организация: 0404, RISE SMP
Svensk Maskinprovning AB, Box 4053, SE-904
03 Umeå, Sweden подтвердила соответствие
Директиве Совета ЕС 2000/14/ЕС, процедура оценки
соответствия: Приложение VI.

Информацию по излучению шума см. в разделе
Технические данные на стр. 470.

Husqvarna, 2022-10-24



Клаес Лосдал (Claes Losdal), директор отдела
разработок/садовая техника, Husqvarna AB

Ответственный за техническую документацию



141400, Московская обл., Г. Химки, ул. Ленинградская,
владение 39, строение 6, здание II этаж 4,
помещение ОВ02_04,
телефон горячей линии 8-800-200-1689

Copyright © 2012–2020 STMicroelectronics

Гарантия не распространяется на дефекты, возникшие в результате естественного износа, небрежения, злоупотребления, несанкционированного ремонта или подключения всасывающего агрегата к источнику питания с неподходящим напряжением.

Все права защищены.

Распространение и использование в виде исходного текста и двоичной формы с изменениями или без них допускается при соблюдении следующих условий:

- При распространении исходного кода должно сохраняться приведенное выше уведомление об авторских правах, данный перечень условий и нижеследующий отказ от ответственности.
- При распространении в двоичной форме в документации и (или) в других материалах, предоставляемых одновременно с распространением, должно воспроизводиться приведенное выше уведомление об авторских правах, данный список условий и нижеследующий отказ от ответственности.
- Запрещается использовать название STMicroelectronics и имена участников разработки для рекламы или продвижения продуктов, созданных на основе данного программного обеспечения, без специального предварительного письменного разрешения.

НАСТОЯЩЕЕ ПРОГРАММНОЕ ОБЕСПЕЧЕНИЕ ПРЕДОСТАВЛЯЕТСЯ ВЛАДЕЛЬЦАМИ АВТОРСКИХ ПРАВ И УЧАСТНИКАМИ РАЗРАБОТКИ НА УСЛОВИЯХ "КАК ЕСТЬ" БЕЗ КАКИХ-ЛИБО ГАРАНТИЙ, ЯВНЫХ И НЕЯВНЫХ, ВКЛЮЧАЯ, СРЕДИ ПРОЧЕГО, НЕЯВНЫЕ ГАРАНТИИ ПРИГОДНОСТИ ДЛЯ ПРОДАЖИ И ВОЗМОЖНОСТИ ИСПОЛЬЗОВАНИЯ В КОНКРЕТНЫХ ЦЕЛЯХ. НИ ПРИ КАКИХ ОБСТОЯТЕЛЬСТВАХ ВЛАДЕЛЕЦ АВТОРСКИХ ПРАВ ИЛИ УЧАСТНИК РАЗРАБОТКИ НЕ НЕСУТ ОТВЕТСТВЕННОСТИ ЗА ПРЯМОЙ, КОСВЕННЫЙ, ПОБОЧНЫЙ УЩЕРБ, ФАКТИЧЕСКИЕ УБЫТКИ, ОПРЕДЕЛЯЕМЫЕ ОСОБЫМИ ОБСТОЯТЕЛЬСТВАМИ ДЕЛА, УБЫТКИ, ПРИСУЖДАЕМЫЕ В ПОРЯДКЕ НАКАЗАНИЯ ИЛИ ВТОРИЧНЫЕ УБЫТКИ (ВКЛЮЧАЯ, СРЕДИ ПРОЧЕГО, ПРИОБРЕТЕНИЕ ТОВАРОВ ИЛИ УСЛУГ НА ЗАМЕНУ; УТРАТУ РАБОТОСПОСОБНОСТИ, ДАННЫХ ИЛИ ПРИБЫЛЕЙ, А ТАКЖЕ БАНКРОТСТВО) ВНЕ ЗАВИСИМОСТИ ОТ ПРИЧИН, В РАМКАХ ЛЮБОЙ ТЕОРИИ ОТВЕТСТВЕННОСТИ, БУДЬ ТО В СВЯЗИ С ИСПОЛНЕНИЕМ ОБЯЗАТЕЛЬСТВ ПО ДОГОВОРУ, ПРЯМОЙ ОТВЕТСТВЕННОСТИ, ПРИЧИНЕНИЮ ВРЕДА (ВКЛЮЧАЯ ПРИЧИНЕНИЕ ВРЕДА ПО НЕБРЕЖНОСТИ ИЛИ ДРУГИМ ПРИЧИНАМ), ВОЗНИКАЮЩИХ В РЕЗУЛЬТАТЕ

ИСПОЛЬЗОВАНИЯ ДАННОГО ПРОГРАММНОГО ОБЕСПЕЧЕНИЯ, ДАЖЕ ЕСЛИ РАНЕЕ СООБЩАЛОСЬ О ВОЗМОЖНОСТИ ТАКОГО УЩЕРБА.

Лицензия Apache 2.0

Copyright © 2009-2019 Arm Limited. Все права защищены.

Версия 2.0, январь 2004 г. <http://www.apache.org/licenses/>

УСЛОВИЯ ИСПОЛЬЗОВАНИЯ,
ВОСПРОИЗВЕДЕНИЯ И РАСПРОСТРАНЕНИЯ

1. Определения.

Под "**Лицензией**" понимаются положения и условия использования, воспроизведения и распространения, определенные в разделах с 1 по 9 настоящего документа. "**Лицензиар**" — сторона лицензионного соглашения в лице владельца авторских прав или организации, уполномоченной владельцем авторских прав, которая предоставляет право на использование объекта Лицензии. "**Юридическое лицо**" — это объединение действующих лиц и других лиц, которые контролируют, контролируются или находятся под общим контролем с действующими лицами. Для целей данного определения "**контроль**" означает (i) силу, прямую или косвенную, определяющую развитие или управление такого лица согласно договоренностям или иным образом, или (ii) владение пятьюдесятью процентами (50%) или более находящихся в обращении акций, или (iii) бенефициарное владение этим лицом. "**Вы**" (или "**Ваш**") и иные производные формы) — это физическое или юридическое лицо, использующее права, предоставляемые Лицензией. "**Исходная форма**" — это форма, предпочтительная для внесения изменений, включая, среди прочего, исходный код программного обеспечения, исходную документацию и файлы конфигурации. "**Объектная форма**" — это любая форма, полученная в результате механического преобразования или перевода Исходной формы, включая, среди прочего, исходный код, откомпилированный в объектный, сгенерированную документацию и преобразования в другие типы носителей. "**Работа**" — это объект авторского права в Исходной или Объектной форме, доступный на условиях Лицензии, о чем свидетельствует уведомление об авторских правах, которое входит в Работу или прилагается к ней (пример приведен в Приложении ниже). "**Производные работы**" — это любые работы в Исходной или Объектной форме, основанные на Работе или полученные из нее, для которых редакционные изменения, аннотации, разработки или иные изменения, имеют в целом независимое авторство. Для целей настоящей

Лицензии, Производные работы не включают работы, которые отделимы от Работы и ее производных, например, связываются по имени или ссылке с интерфейсом Работы. **"Вклад"** — это любое авторское произведение, в том числе оригинальная версия Работы, все изменения и дополнения Работы и Производных работ, умышленно предоставленные Лицензиару для включения в Работу владельцем авторских прав или лицом (физическим или юридическим), уполномоченным представлять владельца авторских прав. Для целей данного определения **"предоставление"** означает любую форму электронного, устного или письменного сообщения, направленного Лицензиару или его представителям, включая, среди прочего, электронные списки рассылки, системы управления исходным кодом и контроля дефектов, управляемые Лицензиаром или от его имени с целью обсуждения и улучшения Работы, за исключением сообщений, в письменной форме отмеченных владельцем авторских прав как **"Не вклад"**. **"Участник разработки"** — это Лицензиар, а также любое физическое или юридическое лицо, от имени которого Лицензиаром был получен Вклад, впоследствии включенный в Работу.

2. Предоставление лицензии на объект авторского права.

В соответствии с условиями и положениями настоящей Лицензии каждый Участник разработки настоящим предоставляет Вам вечную, неэксклюзивную, бесплатную, безвозмездную, безотзывную лицензию на воспроизведение, подготовку Производных работ, публичный показ, публичное исполнение, сублицензирование и распространение Работы и Производных работ в Исходной и Объектной формах по всему миру.

3. Предоставление патентной лицензии.

В соответствии с условиями настоящей Лицензии каждый Участник разработки настоящим предоставляет Вам вечную, неэксклюзивную, бесплатную, безвозмездную, безотзывную (кроме случаев, перечисленных в этом разделе) патентную лицензию производить, осуществлять производство силами третьих лиц, использовать, предлагать продать, продавать, импортировать и иным образом передавать Работу по всему миру. Эта Лицензия относится только к патентным правам, лицензированным Участником разработки и с необходимостью нарушаемым отдельным Вкладом Участника или Вкладом Участника вкпе с Работой, в которую Вклад был сделан. Если Вы начинаете патентный спор в отношении любого лица (включая встречный иск), утверждая, что Работа или Вклад, включенный в работу, являются прямым или частичным нарушением патентных прав, то все патентные права, предоставленные Вам настоящей Лицензией на Работу, заканчиваются в день соответствующего судебного иска.

4. Распространение.

Вы можете воспроизводить и распространять копии Работы или Производных работ на любом носителе, с изменениями или без, в Исходной или Объектной форме, при условии, что выполняются следующие требования:

- Вы должны предоставить всем другим получателям Работы или Производных работ, копию настоящей Лицензии; и
- Вы должны снабдить все модифицированные файлы явными уведомлениями, что Вы изменили форму любых Производных работ, которые Вы распространяете, все авторские права, патенты, торговые марки, а также соответствующие уведомления об авторстве из Исходной формы Работы, за исключением тех, что не имеют отношения к какой-либо части Производной работы; и
- если Работа включает в себя текстовый файл **УВЕДОМЛЕНИЕ**, как часть пакета, то любые Производные работы, распространяемые Вами, должны включать читаемую копию уведомлений об авторстве из этого файла, за исключением тех уведомлений, которые не имеют отношения к какой-либо части Производной работы, по крайней мере в одном из следующих мест: в текстовом файле **"УВЕДОМЛЕНИЕ"**, который поставляется в составе Производной работы; в Исходной форме или документации, если она поставляется вместе с Производной работой; или в изображении, генерируемом Производной работой, где обычно появляются упоминания сторонних производителей. Содержимое файла **"УВЕДОМЛЕНИЕ"** носит исключительно информационный характер и не изменяет Лицензию. Вы можете добавить свои собственные уведомления об авторстве в Производные работы, которые Вы распространяете, рядом или в качестве добавления к тексту **УВЕДОМЛЕНИЯ** в Работе, при условии что такие дополнительные уведомления не могут быть истолкованы как изменение Лицензии. Вы можете добавить утверждение своего авторского права на Ваши изменения и предусмотреть дополнительные или иные лицензионные условия и условия использования, воспроизведения или распространения Ваших изменений или Производных работ в целом, при условии что использование, воспроизведение и распространение Работы Вами соответствует условиям настоящей Лицензии.

5. Предоставление Вкладов.

Если Вы явно не указали иное, любые Вклады, намеренно предоставленные Вами Лицензиару для включения в Работу, должны соответствовать условиям и положениям настоящей Лицензии без каких-либо дополнительных условий или

ограничений. Вышеизложенное никаким образом не заменяет и не изменяет условия любого отдельного лицензионного соглашения, заключенного Вами и Лицензиаром в отношении таких Вкладов.

6. Товарные знаки.

Настоящая Лицензия не дает разрешения на использование торговых наименований, товарных знаков, знаков обслуживания или названий продуктов Лицензиара, за исключением случаев разумного и общепринятого использования при описании происхождения Работы и воспроизведении содержания файла "УВЕДОМЛЕНИЕ".

7. Отказ от гарантий.

Если это не предусмотрено применимыми законами или не согласовано в письменной форме, Лицензиар предоставляет Работу (и каждый Участник разработки предоставляет свои Вклады) "КАК ЕСТЬ", БЕЗ ГАРАНТИЙ И УСЛОВИЙ ЛЮБОГО РОДА, явных или подразумеваемых, включая, среди прочего, любые условия или гарантии **ТОВАРНОЙ ПРИГОДНОСТИ, СООТВЕТСТВИЯ ОПРЕДЕЛЕННОЙ ЦЕЛИ, ТИТУЛА И ОТСУТСТВИЯ НАРУШЕНИЯ ПРАВ ТРЕТЬИХ СТОРОН**. Вы несете полную ответственность за определение целесообразности использования или распространения Работы и принимаете на себя риски, связанные с осуществлением прав в соответствии с настоящей Лицензией.

8. Ограничение ответственности. Ни при каких обстоятельствах и ни на каком правовом поле, будь то в результате гражданского правонарушения (включая халатность), по соглашению или в

других случаях, если только это не требуется действующим законодательством (например, в случае преднамеренных действий и грубой небрежности) или согласовано в письменной форме, никакой Участник разработки не несет ответственности перед Вами за ущерб, в том числе любой прямой, косвенный, специальный, случайный или последующий ущерб любого характера, возникающий в результате действия настоящей Лицензии или в связи с использованием или невозможностью использования Работы (включая, среди прочего, ущерб репутации, прекращение работы, сбой или неисправность компьютера, любые другие коммерческие убытки или потери), даже если такой Участник разработки был уведомлен о возможности такого ущерба.

9. Принятие гарантий или дополнительной ответственности.

При распространении Работы или Производных работ Вы можете предложить и взимать плату за гарантии, поддержку, поручительство, компенсации или другие обязательства по ответственности и/или правам в соответствии с настоящей Лицензией. Тем не менее, при принятии таких обязательств Вы действуете только от своего имени и под Вашу исключительную ответственность, а не от имени какого-либо другого Участника разработки, и только тогда, когда Вы согласны компенсировать убытки, защищать и поддерживать каждого Участника разработки от какой-либо ответственности или претензий, заявленных по причине Вашего принятия таких гарантий или дополнительной ответственности. **КОНЕЦ ПОЛОЖЕНИЙ И УСЛОВИЙ**

Зарегистрированные товарные знаки

Обозначение "QR Code" (QR-код) является зарегистрированным товарным знаком компании DENSO WAVE INCORPORATED в Японии.

Obsah

| | | | |
|-------------------------|-----|---|-----|
| Úvod..... | 477 | Preprava, skladovanie a likvidácia..... | 491 |
| Bezpečnosť..... | 478 | Technické údaje..... | 492 |
| Montáž..... | 484 | Vyhľadanie o zhode..... | 495 |
| Prevádzka..... | 485 | Licencie..... | 496 |
| Údržba..... | 487 | Registrované ochranné známky..... | 498 |
| Riešenie problémov..... | 489 | | |

Úvod

Popis výrobku

Tento výrobok je rotačná kosačka na trávu s chodiacou obsluhou. Tráva sa zhromažďuje do zberného koša. Na vyprázdnenie trávy zo zadnej časti odstráňte zberný kôš. Ak chcete trávu nasekať a použiť ako hnojivo, vložte prípojku na mulčovanie.

Plánované použitie

Produkt používajte na kosenie trávy. Výrobok nepoužívajte na iné účely.

Prehľad výrobku

(Obr. 1)

1. Rukoväť motorovej brzdy
2. Poistka naštartovania
3. Držadlo/rukoväť
4. Poistný gombík rukoväte
5. Gombíky na rukoväti
6. Zberný kôš
7. Zástrčka mulčovania
8. Zadný kryt
9. Indikátor LED na výrobku
10. Výstražný indikátor (chybová dióda LED)
11. Bezpečnostný kľúč
12. Priestor na akumulátor
13. Kryt akumulátora
14. Symboly
15. Páka výšky rezu
16. Batéria (príslušenstvo)
17. Nabíjačka batérie (príslušenstvo)
18. Červený indikátor LED
19. Zelený indikátor LED
20. Zdvíhacie body
21. Držiak
22. Návod na obsluhu

Stručný návod

Naskenovaním QR kódu získajte rady, ako produkt používať.



Symboly na výrobku

- (Obr. 2) UPOZORNENIE
- (Obr. 3) Prečítajte si pokyny.
- (Obr. 4) UPOZORNENIE – Dávajte pozor na vymršťované predmety.
- (Obr. 5) Vykážte ostatné osoby z pracovného priestoru.
- (Obr. 6) UPOZORNENIE – Ruky a nohy držte v bezpečnej vzdialenosti od nožov.
- (Obr. 7) UPOZORNENIE – Pred vykonávaním údržby odpojte batériu.
- (Obr. 8) Výrobok alebo jeho obal nepredstavuje komunálny odpad. Recyklujte ho v recyklačnej stanici určenej pre elektrické a elektronické zariadenia.
- (Obr. 9) Označenie týkajúce sa emisie hluku do okolia podľa smerníc a nariadení EÚ a UK a legislatívy v štáte New South Wales „Protection of the Environment Operations (Noise Control) Regulation

2017" (Nariadenie o ochrane životného prostredia pri prevádzke (kontrola hluku) z roku 2017). Garantovaná hladina akustického výkonu produktu je uvedená v *Technické údaje na strane 492* a na štítku.

(Obr. 10) Tento nastavtec je v súlade s príslušnými smernicami EÚ.

(Obr. 11) Tento výrobok je v súlade s príslušnými právnymi predpismi Spojeného kráľovstva.

(Obr. 12) Tento výrobok je chránený proti kvapkajúcej vode.

(Obr. 13) Zastavte uvoľnením rukoväti motorovej brzdy.

(Obr. 14) Spustíte pohon nožov potlačením páky pohonu.

(Obr. 15) Snímateľný kód.

(Obr. 18) Otočením zamknite alebo odomknite.

Poznámka: Ostatné symboly/emblémy na výrobku odkazujú na zvláštne požiadavky certifikácie pre určité trhy.

Symboly na batérii a/alebo na nabíjačke batérií

(Obr. 19) Tento výrobok recykluje v recyklačnej stanici určenej pre elektrické a elektronické zariadenia. (Uplatňuje sa iba na Európu)

(Obr. 20)

Batériu používajte len vo výrobkoch od partnerov systému POWER FOR ALL.

(Obr. 21)

(Obr. 22)

Chráňte akumulátor pred teplom, napr. pred dlhodobým intenzívnym slnečným žiarením, ohňom, nečistotami, vodou a vlhkosťou. Hrozí nebezpečenstvo výbuchu a skratu.

(Obr. 16)

Nabíjačku batérie používajte a skladuje len v interiéri.

(Obr. 17)

Dvojité izolácia.

Štítko na výrobku

(Obr. 23)

NEBEZPEČENSTVO – Udržiavajte ruky a chodidlá v dostatočnej vzdialenosti.

Zodpovednosť za výrobok

V súlade s právnymi predpismi upravujúcimi zodpovednosť za výrobok nenesieme zodpovednosť za škody spôsobené našim výrobkom v dôsledku:

- nesprávne vykonanej opravy výrobku,
- opravy výrobku, pri ktorej neboli použité diely od výrobcu alebo diely schválené výrobcom,
- používania príslušenstva od iného výrobcu alebo príslušenstva, ktoré nie je schválené výrobcom,
- opravy výrobku, ktoré neboli vykonané v schválenom servisnom stredisku alebo schválenými kompetentnými osobami.

Bezpečnosť

Bezpečnostné definície

Výstrahy, upozornenia a poznámky slúžia na zdôraznenie mimoriadne dôležitých častí návodu.



VÝSTRAHA: Používa sa, ak pre obsluhu alebo osoby v okolí existuje nebezpečenstvo poranenia alebo smrti v prípade nedodržania pokynov v návode.



VAROVANIE: Používa sa, ak hrozí nebezpečenstvo poškodenia produktu, iných materiálov alebo okolitej oblasti v prípade nedodržania pokynov v návode.

Poznámka: Používa sa na poskytnutie informácií nad rámec nevyhnutných informácií v danej situácii.

Všeobecné bezpečnostné upozornenia pre výrobok



VÝSTRAHA: Prečítajte si všetky bezpečnostné upozornenia a pokyny a pozrite si ilustrácie a uvedené technické údaje tohto výrobku. Nedodržanie všetkých nižšie uvedených pokynov môže spôsobiť zásah elektrickým prúdom, požiar alebo ťažké zranenia.

Uchovajte si všetky upozornenia a pokyny pre budúce použitie. Výraz „výrobok“ v upozorneniach označuje výrobky napájané z elektrickej siete (s káblom) alebo batérie (bez kábla).

Bezpečnosť na pracovisku

- **Udržiavajte pracovisko v čistote a dobre osvetlené.** Neporiadok alebo nedostatočné osvetlenie spôsobujú nehody.
- **Nepoužívajte výrobok vo výbušnom ovzduší, napríklad v prítomnosti horľavých kvapalín, plynov alebo prachu.** Výrobok vytvára iskry, ktoré môžu zapáliť prach alebo výpary.
- **Pri používaní výrobku zabráňte deťom a okolostojacim, aby sa zdržiavali vo vašej blízkosti.** Rušivé podnety môžu spôsobiť stratu kontroly.

Elektrická bezpečnosť

- **Zástrčky výrobku musia zodpovedať zásuvke elektrickej siete. Nikdy a žiadnym spôsobom nemodifikujte elektrickú zástrčku. S uzemnenými výrobkami nepoužívajte žiadne adaptérové zástrčky.** Ak sa zástrčky neupravujú a používajú sa zodpovedajúce zásuvky, zníži sa riziko úrazu elektrickým prúdom.
- **Zabráňte kontaktu tela s uzemnenými povrchmi, ako sú rúry, radiátory, sporáky a chladničky.** Riziko úrazu elektrickým prúdom je vyššie, ak je vaše telo uzemnené.
- **Výrobky nevystavujte pôsobeniu dažďa ani vlhkosti.** Ak sa do výrobku dostane voda, zvyšuje sa nebezpečenstvo úrazu elektrickým prúdom.
- **Nepoužívajte kábel nesprávnym spôsobom. Kábel nikdy nepoužívajte na prenášanie, ťahanie ani odpájanie výrobku. Chráňte šnúru pred horúčavou, olejom, ostrými hranami alebo pohyblivými sa dielcami.** Poškodené alebo zamotané káble zvyšujú riziko úrazu elektrickým prúdom.
- **Pri používaní výrobku v exteriéri používajte predizolovaný kábel vhodný na vonkajšie použitie.** Používanie kábla určeného do vonkajšieho prostredia znižuje riziko zásahu elektrickým prúdom.
- **Ak je nevyhnutné použiť výrobok vo vlhkom prostredí, na napájanie použite vedenie vybavené prúdovým chráničom (RCD).** Použitie napájania z vedenia vybaveného prúdovým chráničom (RCD) výrazne znižuje riziko zasiahnutia elektrickým prúdom.

Osobná bezpečnosť

- **Pracujte opatrne, dávajte pozor a pri používaní výrobku postupujte rozumne. Výrobok nepoužívajte, keď ste unavení alebo pod vplyvom drog, alkoholu alebo liekov.** Chvilka nepozornosti pri používaní výrobku môže zapríčiniť vážny úraz.
- **Používajte osobné ochranné pomôcky. Vždy noste ochranné prostriedky očí.** Ochranné vybavenie, ako sú napríklad masky proti prachu, bezpečnostné topánky s protišmykovou podrážkou, prilby alebo chrániče sluchu použité vo vhodných prípadoch znižujú počet osobných poranení.
- **Zabráňte neúmyselnému spusteniu zariadenia. Pred pripojením k elektrickej sieti alebo batérii overte zdvihnutím alebo prenesením výrobku, či je vypínač vo vypnutej polohe.** Prenášanie výrobkov s prstom na vypínači alebo napájanie výrobkov, ktoré majú vypínač zapnutý, zvyšuje riziko nehôd.
- **Pred zapnutím výrobku vyberte nastavovací kľúč alebo kľúč na matice.** Kľúč nasadený na rotačnú časť výrobku môže spôsobiť poranenie osôb.
- **Nenaťahujte sa príliš ďaleko. Vždy si udržiavajte rovnováhu a správny postoj.** To umožňuje lepšie ovládanie výrobku v neočakávaných situáciách.
- **Vhodne sa oblečte. Nenoste voľné oblečenie alebo šperky. Udržujte svoje vlasy a oblečenie mimo dosahu pohyblivých častí.** Voľné oblečenie, šperky alebo dlhé vlasy sa môžu zachytiť v pohyblivých častiach.
- **Ak je možné pripojiť zariadenia na odsávanie a zber prachu, overte, či sú tieto zariadenia pripojené a či sa správne používajú.** Používanie zberača prachu môže obmedziť nebezpečenstvá týkajúce sa prachu.
- **Nedovoľte, aby vás skúsenosti získané častým používaním produktov uspokojili, a ignorovali by ste bezpečnostné pravidlá pri používaní produktov.** Neopatrné konanie môže v zlomku sekundy spôsobiť vážne poranenie.

Používanie výrobku a starostlivosť o neho

- **Netlačte na výrobok silou. Používajte správny výrobok na dané použitie.** Správny výrobok vykoná prácu lepšie a bezpečnejšie pri rýchlosti, na akú je určený.
- **Nepoužívajte výrobok, ak sa nedá zapnúť a vypnúť vypínačom.** Akýkoľvek výrobok, ktorý sa nedá ovládať vypínačom, je nebezpečný a musí sa opraviť.
- **Pred akoukoľvek úpravou, výmenou príslušenstva alebo skladovaním výrobkov odpojte zástrčku zo zdroja napájania a/alebo vyberte akumulátory (ak je to možné).** Takéto preventívne bezpečnostné opatrenia znižujú riziko náhodného spustenia výrobku.
- **Nepoužívané výrobky udržiavajte mimo dosahu detí a nedovoľte osobám, ktoré nepoznajú tento výrobok alebo tieto pokyny, aby výrobok používali.** Výrobky sú nebezpečné v rukách neskúsených používateľov.

- **Vykonávajte údržbu výrobkov a príslušenstva. Skontrolujte vychýlenie alebo ohnutie pohyblivých častí, zlomenie častí a akékoľvek iné poškodenie, ktoré môže ovplyvniť prevádzku výrobku. Ak je výrobok poškodený, dajte ho pred použitím opraviť.** Mnoho nehôd je spôsobených nedostatočne udržiavanými výrobkami.
- **Rezacie nástroje udržiavajte nabrušené a v čistote.** Správne udržiavané rezacie nástroje s ostrými hranami sú menej náchylné na ohnutie a ľahšie sa ovládajú.
- **Používajte výrobok, príslušenstvo, hroty nástroja atď. v súlade s týmito pokynmi, pričom vezmite do úvahy pracovné podmienky a typ vykonávanej práce.** Používanie výrobku na iné ako určené účely môže vyvolať nebezpečnú situáciu.
- **Rukoväti a úchytné povrchy udržiavajte suché, čisté a neznečistené olejom a mazivom.** Šmyklivé rukoväti a úchytné povrchy neumožňujú bezpečnú manipuláciu a ovládanie výrobku v neočakávaných situáciách.

Používanie nástroja napájaného akumulátorom a starostlivosť oň

- **Nabíjajte iba pomocou nabíjačky špecifikovanej výrobcom.** Nabíjačka, ktorá je vhodná pre jeden typ akumulátora, môže pri použití s iným akumulátorom predstavovať nebezpečenstvo požiaru.
- **Výrobok používajte iba s presne určenými akumulátormi.** Pri použití akéhokoľvek iného akumulátora môže hroziť nebezpečenstvo poranenia a požiaru.
- **Keď sa akumulátor nepoužíva, udržiajte ho mimo dosahu kovových predmetov, ako sú spony na papier, mince, kľúče, klince, skrutky alebo iné drobné kovové predmety, ktoré môžu vytvoriť spoj medzi svorkami.** Skratovanie svoriek akumulátora môže spôsobiť popáleniny alebo požiar.
- **Pri neopatrnom zaobchádzaní môže z akumulátora uniknúť tekutina. Nedotýkajte sa jej. V prípade náhodného kontaktu umyte postihnuté miesto vodou. Ak sa dostane kvapalina z akumulátora do očí, vyhľadajte aj lekársku pomoc.** Kvapalina vystrekujúca z akumulátora môže spôsobiť podráždenie alebo popáleniny.
- **Nepoužívajte poškodený alebo upravený akumulátor alebo nástroj.** Poškodené alebo upravené akumulátory môžu mať za následok nepredvídateľné fungovanie a spôsobiť požiar, výbuch alebo predstavovať nebezpečenstvo poranenia.
- **Akumulátor alebo nástroj nevystavujte ohňu alebo nadmerne vysokým teplotám.** Pri vystavení ohňu alebo teplote nad 130 °C (265°F) môže dôjsť k výbuchu.
- **Dodržiavajte všetky pokyny na nabíjanie a pri nabíjaní nevystavujte akumulátor alebo nástroj teplotám, ktoré sú mimo teplotného rozsahu uvedeného v pokynoch.** Pri nesprávnom nabíjaní alebo pri vonkajších teplotách mimo uvedeného

rozsahu hrozí poškodenie akumulátora a zvyšuje sa nebezpečenstvo požiaru.

Služba

- **Výrobok zverte do opravy iba kvalifikovanému odborníkovi a používajte iba originálne náhradné diely.** Tým sa zaisťuje zachovanie bezpečnosti výrobku.
- **Poškodené akumulátory nikdy neservisujte sami.** Servis akumulátorov smie vykonávať len výrobca alebo autorizovaný servis.

Bezpečnostné upozornenia pre kosačku

- **Kosačku nepoužívajte počas nepriaznivých poveternostných podmienok, najmä ak hrozí riziko bleskov.** Zníži sa tým riziko zasiahnutia bleskom.
- **Skontrolujte, či sa v priestore, kde sa má kosačka používať, nenachádzajú voľne žijúce živočíchy.** Počas prevádzky kosačky môže dôjsť k zraneniu voľne žijúcich živočíchov.
- **Pozorne skontrolujte priestor, v ktorom sa bude kosačka používať, a odstráňte všetky kamene, konáre, káble, kosti a iné cudzie predmety.** Vymrštené predmety môžu spôsobiť poranenie osôb.
- **Pred použitím kosačky vždy vizuálne skontrolujte, či nie sú nôž a zostava noža opotrebované alebo poškodené.** Opotrebované alebo poškodené diely zvyšujú riziko poranenia.
- **Pravidelne kontrolujte prípadné opotrebovanie alebo poškodenie zberného koša.** Opotrebovaný alebo poškodený zberný kôš môže zvýšiť riziko poranenia osôb.
- **Neodstraňujte ochranné kryty. Ochranné kryty musia byť v dobrom prevádzkovom stave a správne osadené.** Uvoľnený, poškodený alebo nesprávne fungujúci ochranný kryt môže viesť k zraneniu osôb.
- **Všetky vstupné otvory chladiaceho vzduchu udržiavajte čisté od zvyškov.** Upchaté vstupné otvory vzduchu a zvyšky môžu viesť k prehriatiu alebo riziku požiaru.
- **Počas používania kosačky vždy noste protišmykovú a ochrannú obuv. Kosačku nepoužívajte, ak ste bosí alebo máte obuté otvorené sandále.** Zníži sa tým riziko poranenia chodidiel kontaktom s pohybujúcim sa nožom.
- **Pri práci s kosačkou vždy noste dlhé nohavice.** Odhalená pokožka zvyšuje pravdepodobnosť poranenia vymrštenými predmetmi.
- **Kosačku nepoužívajte na mokrej tráve. Pri práci so zariadením kráčajte, nebežte.** Znižuje sa tým riziko pošmyknutia, spadnutia a následného zranenia.
- **Kosačku nepoužívajte na príliš strmých svahoch.** Znižuje sa tým riziko straty kontroly, pošmyknutia, spadnutia a následného zranenia.
- **Pri práci na svahoch vždy dbajte na to, aby ste mali pevné postavenie, vždy pracujte naprieč svahom, nikdy smerom nahor alebo nadol a buďte mimoriadne opatrní pri zmene smeru.** Znižuje sa

tým riziko straty kontroly, pošmyknutia, spadnutia a následného zranenia.

- **Pri cúvaní alebo ťahaní kosačky smerom k sebe buďte mimoriadne opatrní. Vždy sledujte svoje okolie.** Znižuje sa tak riziko zakopnutia počas práce.
- **Nedotýkajte sa nožov ani iných nebezpečných pohyblivých častí, kým sú v pohybe.** Znižuje sa tým riziko poranenia pohyblivými časťami.
- **Pri odstraňovaní zaseknutého materiálu alebo čistení kosačky sa uistite, že sú vypnuté všetky vypínače a napájací kábel je odpojený.** Neočakávané zapnutie kosačky môže viesť k vážnemu zraneniu osôb.

Prúdový chránič

- Použite prúdový chránič s vypinacím prúdom maximálne 30 mA.

Všeobecné bezpečnostné pokyny



VÝSTRAHA: Skôr než budete výrobok používať, prečítajte si nasledujúce výstrahy.

- Tento výrobok je nebezpečný, ak sa nepoužíva správne alebo ak nie ste pri jeho používaní opatrní. V prípade nedodržania bezpečnostných pokynov hrozí poranenie alebo usmrtienie.
 - Tento výrobok vytvára počas prevádzky elektromagnetické pole. Toto pole môže za určitých okolností spôsobovať rušenie aktívnych alebo pasívnych implantovaných lekárskeho prístrojov. Na zníženie rizika vážneho alebo smrteľného zranenia odporúčame, aby sa osoby s implantovanými lekárskeho prístrojmi poradili so svojim lekárom a výrobcom pomôcky ešte pred použitím tohto výrobku.
 - Vždy zachovávajte opatrnosť a riadte sa zdravým úsudkom. Ak si v určitých situáciách nie ste istí, ako máte výrobok používať, výrobok nepoužívajte a pred pokračovaním v práci sa poraďte s predajcom spoločnosti Husqvarna.
 - Myslite na to, že operátor bude zodpovedný za nehody zahŕňajúce iné osoby alebo ich majetok.
 - Výrobok udržiavajte čistý. Uistite sa, že sú symboly a emblémy čitateľné.
 - Nikdy nedovoľte používať zariadenie deťom ani osobám, ktoré sa neoboznámili s návodom na používanie. Miestne predpisy môžu obmedzovať vek používateľa.
 - Osoby so zníženými fyzickými alebo duševnými schopnosťami musia byť počas používania výrobku vždy pod dozorom. Vyžaduje sa neustála prítomnosť zodpovednej dospeléj osoby.
 - Výrobok nepoužívajte, ak ste unavení, chorí alebo ste pod vplyvom alkoholu, drog alebo liekov. Vyššie uvedené prípady majú negatívny vplyv na váš zrak, ostražitosť, koordináciu a úsudok.
 - Výrobok nepoužívajte, ak je poškodený.
- Výrobok žiadnym spôsobom neupravujte ani nepoužívajte, ak existuje možnosť, že bol upravený inými osobami.

Bezpečnosť pri práci



VÝSTRAHA: Skôr než budete výrobok používať, prečítajte si nasledujúce výstrahy.

- Tento výrobok používajte len na kosenie trávy. Výrobok sa nesmie používať na iné úlohy.
- Používajte osobné ochranné pomôcky. Pozrite si časť *Osobné ochranné prostriedky na strane 482*.
- Naučte sa, ako v prípade núdze rýchlo zastaviť motor.
- Výrobok nepoužívajte na daždi alebo vlhkých miestach. V prípade preniknutia vody do výrobku sa zvyšuje riziko zásahu elektrickým prúdom.
- Výrobok nepoužívajte, pokiaľ nie sú nôž a všetky kryty správne upevnené. Nesprávne pripojený nôž sa môže uvoľniť a spôsobiť poranenia osôb.
- Uistite sa, že nôž nenarazí na predmety, ako sú napr. kamene alebo korene. Môže dôjsť k poškodeniu noža a ohnutiú hriadeľa motora. Ohnutá náprava spôsobuje silné vibrácie a vzniká veľké nebezpečenstvo uvoľnenia noža.
- Ak nôž narazí na predmet alebo ak cítite vibrácie, výrobok okamžite vypnite. Zastavte motor, otočte bezpečnostný kľúč do polohy 0 a odstráňte batériu. Počkajte, kým sa zastavia pohyblivé časti. Skontrolujte, či nie je výrobok poškodený. Dotiahnite uvoľnené časti. Opravte akékoľvek poškodenie a vymeňte poškodené diely. Opravu zverte schválenému servisnému zástupcovi.
- Keď je naštartovaný motor, rukoväť motorovej brzdy nesmie byť nikdy trvalo pripojená k rukoväti.
- Položte výrobok na stabilný, rovný povrch a naštartujte ho. Uistite sa, že sa nôž nedostane do kontaktu so zemou alebo inými predmetmi.
- Pri obsluhu vždy stojte za výrobkom.
- Pri obsluhu výrobku dávajte pozor, aby všetky kolesá dosadali na zem a rukoväť držíte oboma rukami. Udržiavajte ruky a chodidlá mimo dosahu rotujúcich nožov.
- Pri štartovaní motora alebo počas prevádzky výrobok nenakláňajte.
- Pri ťahaní výrobku smerom dozadu buďte opatrní.
- Výrobok nikdy nedvíhajte, keď je spustený motor. Ak výrobok musíte zdvihnúť, najskôr zastavte motor, otočte bezpečnostný kľúč do polohy 0 a odstráňte batériu.
- Počas obsluhy výrobku necúvajte.
- Zastavte motor, keď je potrebné výrobok nakloniť z dôvodu prepravy alebo pred presunom cez plochy bez porastu trávy, napríklad cesty zo štrku, kameňa a asfaltu.
- Keď je zapnutý motor, s výrobkom neutekajte. Počas obsluhy výrobku vždy kráčajte.

- Pred zmenou výšky rezu zastavte motor. Nikdy nevykonávajte nastavenia so zapnutým motorom.
- Nikdy nenechávajte výrobok bez dozoru, keď je zapnutý motor. Zastavte motor a uistite sa, že sa rezná zariadenie neotáča.
- Vibrácie výrobku počas prevádzky sa môžu líšiť od deklarovanej hodnoty vibrácií v časti *Technické údaje na strane 492*. Rozdiel je spôsobený variáciami v spôsobe používania výrobku. Ak výrobok používate často alebo dlhodobo, robte pravidelné prestávky, aby ste predišli poraneniam spôsobeným vibráciami.

Bezpečnostné pokyny pre prevádzku

Osobné ochranné prostriedky



VÝSTRAHA: Skôr než budete výrobok používať, prečítajte si nasledujúce výstrahy.

- Osobné ochranné prostriedky nedokážu úplne vylúčiť riziko, ale môžu znížiť vážnosť zranenia v prípade nehody. Váš predajca vám pomôže pri výbere správnych prostriedkov.
- Noste odolné protišmykové topánky. Výrobok neobsluhujte v otvorených topánkach ani s bosými nohami.
- Noste dlhé odolné nohavice.
- Keď je to potrebné, používajte ochranné rukavice, ako napríklad pri montáži, kontrole alebo čistení rezného zariadenia.
- Odporúčame používať chrániče sluchu.

Bezpečnostné zariadenia na výrobku



VÝSTRAHA: Skôr než budete výrobok používať, prečítajte si nasledujúce výstrahy.

- Nepoužívajte produkt, ktorý má chybné bezpečnostné zariadenia.
- Neodstraňujte ani neupravujte bezpečnostné zariadenia.
- Pravidelne kontrolujte bezpečnostné zariadenia. Ak sú bezpečnostné zariadenia chybné, obráťte sa na servisného zástupcu spoločnosti Husqvarna.

Kontrola krytu rezacej časti

Kryt rezacej časti tlmí vibrácie vo výrobku a znižuje riziko poranenia kotúčom.

- Skontrolujte kryt rezacej časti, aby ste sa uistili, že na ňom nie sú žiadne známky poškodenia, ako sú napr. praskliny.

Kontrola bezpečnostného kľúča

Bezpečnostný kľúč sa nachádza pod krytom batérie. Bezpečnostný kľúč slúži na pripojenie batérie, ktorá napája motor.

- Pred vykonaním kontroly bezpečnostného kľúča naštartujte a vypnite motor.
- Ak bezpečnostný kľúč funguje správne, motor sa môže spustiť iba vtedy, keď je bezpečnostný kľúč v polohe 1. (Obr. 24)

Kontrola rukoväti motorovej brzdy

Rukoväť motorovej brzdy slúži na zastavenie motora. Keď rukoväť motorovej brzdy uvoľníte, motor sa zastaví.

- Zapnite výrobok. Pozrite si časť *Zapnutie výrobku na strane 486*.
- Uvoľníte rukoväť motorovej brzdy. (Obr. 25)
- Skontrolujte, či sa výrobok zastavil. Ak sa motor v priebehu 3 sekúnd nezastaví, požiadajte servisného zástupcu spoločnosti Husqvarna o nastavenie motorovej brzdy.

Kontrola poistky naštartovania

Skontrolujte poistku naštartovania, aby ste sa uistili, že zabraňuje prevádzke motora.

1. Potlačte páku pohonu smerom k hornej rukoväti. Poistka naštartovania zastaví pohyb.
2. Zatláčte poistku naštartovania smerom von. (Obr. 26)
3. Uvoľníte poistku naštartovania a uistite sa, že sa vráti do svojej pôvodnej polohy.

Bezpečnosť akumulátorov



VÝSTRAHA: Prečítajte si všetky bezpečnostné a všeobecné pokyny. Nedodržanie bezpečnostných a všeobecných pokynov môže spôsobiť úraz elektrickým prúdom, požiar alebo vážne zranenie. **Uchovajte si všetky bezpečnostné informácie a všeobecné pokyny pre budúce použitie.**

- **Tieto bezpečnostné pokyny platia len pre 18 V lítiové nabíjateľné batérie pre systém POWER FOR ALL.**
- **Nabíjateľné batérie používajte len vo výrobkoch od partnerov systému POWER FOR ALL.** 18 V nabíjateľné označené štítkom POWER FOR ALL sú úplne kompatibilné s nasledujúcimi výrobkami:
 - všetkými výrobkami systému 18 V batérií POWER FOR ALL,
 - všetkými 18 V výrobkami od partnerov systému POWER FOR ALL.
- **Dodržujte odporúčania týkajúce sa batérie v návode na obsluhu výrobku.** Len tak možno nabíjateľnú batériu a výrobok používať bez nebezpečenstva a nabíjateľné batérie chrániť pred nebezpečným preťažením.
- **Batérie nabíjajte iba pomocou nabíjačiek odporúčaných výrobcom alebo partnermi systému POWER FOR ALL.** Nabíjačka, ktorá je vhodná pre

jeden typ batérie, môže predstavovať riziko požiaru, ak sa používa s inou batériou.

- **Akumulátor sa dodáva čiastočne nabitý.** Aby ste zaistili plnú kapacitu akumulátora, pred prvým použitím elektrického náradia akumulátor úplne nabite v nabíjačke.
- **Akumulátor uchovávajte mimo dosahu detí.**
- **Akumulátor neotvárajte.** Hrozí nebezpečenstvo skratu.
- **V prípade poškodenia a nesprávneho použitia akumulátora sa môžu uvoľňovať výpary. Batéria sa môže vznietiť alebo vybuchnúť.** Zabezpečte dobré vetranie priestoru a v prípade akýchkoľvek nežiaducich účinkov vyhľadajte lekársku pomoc. Výpary môžu dráždiť dýchací systém.
- **Pri nesprávnom používaní alebo pri poškodení akumulátora z neho môže vystreknúť horľavá kvapalina.** Zabráňte kontaktu s touto kvapalinou. V prípade náhodného kontaktu umyte postihnuté miesto vodou. Ak sa kvapalina dostane do kontaktu s očami, vyhľadajte ďalšiu lekársku pomoc. Kvapalina vytekajúca z akumulátora môže spôsobiť podráždenie alebo popáleniny.
- **Ak je akumulátor poškodený, kvapalina môže uniknúť a dostať sa na okolité povrchy.** Skontrolujte zasiahnuté časti. Vyčistite tieto časti alebo ich v prípade potreby vymeňte.
- **Akumulátor neskratujte.** Keď sa akumulátor nepoužíva, udržiajte ho mimo dosahu kovových predmetov, ako sú spony na papier, mince, kľúče, kince, skrutky alebo iné drobné kovové predmety, ktoré môžu vytvoriť spoj medzi svorkami. Skratovanie svoriek akumulátora môže spôsobiť popáleniny alebo požiar.
- **Akumulátor môžu poškodiť špicaté predmety, ako sú kince alebo skrutkovače, alebo sila pôsobiaca zvonka.** Môže dôjsť k vnútornému skratu, ktorý spôsobí vznietenie, dymenie, výbuch alebo prehriatie akumulátora.
- **Poškodené akumulátory nikdy neservisujte sami.** Servis akumulátora smie vykonávať len výrobca alebo autorizovaný servis.
- **Chráňte akumulátor pred teplom, napr. pred dlhodobým intenzívnym slnečným žiarením, ohňom, nečistotami, vodou a vlhkosťou.** Hrozí nebezpečenstvo výbuchu a skratu.
- **Batériu vo výrobku používajte iba vtedy, keď je teplota okolitého prostredia v rozsahu 0 °C – +40 °C.**
- **Batériu skladujte len v prostredí s teplotou medzi -20 °C – +50 °C.** V lete batériu napríklad neponechávajte v automobile. Pri teplotách <0 °C môže u niektorých zariadení dôjsť k strate napájania.
- **Akumulátor nabíjajte len pri teplote okolitého prostredia od 0 °C do +35 °C.** Nabíjateľný akumulátor nabíjajte s pomocou kábla USB iba pri teplote okolitého prostredia od +10 °C do +35 °C. Nabíjanie mimo tohto teplotného rozsahu môže zvýšiť riziko poškodenia akumulátora a predstavovať riziko požiaru.

Bezpečnosť nabíjačky batérií



VÝSTRAHA: Prečítajte si všetky bezpečnostné a všeobecné pokyny.

Nedodržanie bezpečnostných a všeobecných pokynov môže spôsobiť úraz elektrickým prúdom, požiar alebo vážne zranenie. **Tieto pokyny uchovávajte na bezpečnom mieste.** Nabíjačku používajte len vtedy, ak dokázate plne posúdiť všetky funkcie a vykonávať ich bez obmedzení, alebo ak ste dostali príslušné pokyny.

- **Táto nabíjačka nie je určená na to, aby ju používali deti alebo osoby s obmedzenými fyzickými, zmyslovými alebo mentálnymi schopnosťami alebo s nedostatkom skúseností a vedomostí.** Túto nabíjačku smú používať deti staršie ako 8 rokov a osoby s obmedzenými fyzickými, zmyslovými alebo mentálnymi schopnosťami alebo s nedostatkom skúseností a vedomostí, pokiaľ sú pod dohľadom osoby zodpovednej za ich bezpečnosť alebo ňou boli poučené o bezpečnom používaní nabíjačky a chápu súvisiace riziká. V opačnom prípade hrozí nebezpečenstvo pochybení pri prevádzke a zranení.
- **Nenechávajte deti osamote, keď nabíjačku používate, čistíte alebo na nej vykonávate údržbu.** Zabezpečte tak, že sa deti nebudú s nabíjačkou hrať.
- **Služi výhradne na nabíjanie 18 V akumulátorov systému POWER FOR ALL s kapacitou 1,5 Ah.** Napätie akumulátora sa musí zhodovať s nabíjacím napätím nabíjačky pre batérie. **Nenabíjajte žiadne nenabíjateľné akumulátory.** V opačnom prípade hrozí nebezpečenstvo požiaru a výbuchu.
- **Nabíjačku používajte len v uzavretých priestoroch a nevystavujte ju vlhkosti.** Ak sa do elektrického nástroja dostane voda, zvyšuje sa nebezpečenstvo úrazu elektrickým prúdom.
- **Nabíjačku udržiavajte čistú.** Nečistoty predstavujú riziko úrazu elektrickým prúdom.
- **Pred použitím vždy skontrolujte nabíjačku, kábel a zástrčku.** Ak zistíte akékoľvek poškodenie, prestaťte nabíjačku používať. Nabíjačku svojpomocne neotvárajte a dajte ju opraviť iba spoločnosťou Husqvarna alebo autorizovanému servisnému stredisku pre popredajné služby, ktoré používa iba originálne náhradné diely. Poškodené nabíjačky, káble a zástrčky zvyšujú riziko úrazu elektrickým prúdom.
- **Nabíjačku nepoužívajte na ľahko zápalnom povrchu (napr. papier, textilie atď.) alebo v horľavom prostredí.** Hrozí nebezpečenstvo požiaru v dôsledku zahrievania nabíjačky počas prevádzky.
- **Nezakrývajte vetracie otvory nabíjačky.** V opačnom prípade sa môže nabíjačka prehriať a prestať správne fungovať.
- **Nabíjajte iba pomocou nabíjačky špecifikovanej výrobcom.** Nabíjačka, ktorá je vhodná pre jeden typ

akumulátora, môže pri použití s iným akumulátorom predstavovať nebezpečenstvo požiaru.

- **V prípade poškodenia a nesprávneho použitia akumulátora sa tiež môžu uvoľňovať výpary.** Zabezpečte dobré vetranie priestoru a v prípade akýchkoľvek nežiaducich účinkov vyhľadajte lekársku pomoc. Výpary môžu dráždiť dýchací systém.
- **Pri nevhodnom používaní môže z akumulátora vyprsknúť kvapalina. Zabráňte kontaktu s touto kvapalinou. V prípade náhodného kontaktu umyte postihnuté miesto vodou. Ak sa kvapalina dostane do kontaktu s očami, vyhľadajte ďalšiu lekársku pomoc.** Kvapalina vytekajúca z akumulátora môže spôsobiť podráždenie alebo popáleniny.
- **Výrobky predávané len vo Veľkej Británii:** Váš výrobok je vybavený schválenou elektrickou zástrčkou podľa normy BS 1363/A s vnútornou poistkou (schválenie ASTA podľa normy BS 1362). Ak zástrčka nie je vhodná pre vašu zásuvku, mal by ju odrezat' autorizovaný zástupca zákazníckeho servisu a na jej miesto nasadiť vhodnú zástrčku. Náhradná zástrčka by mala mať rovnakú klasifikáciu poistky ako pôvodná zástrčka. Odrezaná zástrčka sa musí zlikvidovať, aby sa predišlo možnému nebezpečenstvu úrazu elektrickým prúdom, a nikdy by sa nemala zasúvať do sieťovej zásuvky v inom mieste.

- Otočte bezpečnostný kľúč do polohy 0 a vyberte akumulátor, aby ste zabránili náhodnému spusteniu počas údržby. Pred začiatkom údržby počkajte minimálne 5 sekúnd.
- Vykonávajte len údržbu uvedenú v tomto návode na obsluhu. Náročnejšie práce a profesionálne opravy musí vykonávať schválený servisný zástupca. Ďalšie informácie získate od najbližšieho servisného zástupcu.
- Správnym vykonaním údržby zvýšite životnosť výrobku a znížite nebezpečenstvo nehôd.
- Vymeňte všetky poškodené, opotrebované alebo zlomené diely. Vždy používajte originálne náhradné diely od výrobcu. Iné náhradné diely môžu spôsobiť poškodenie výrobku a zvýšiť riziko nehôd.
- Aby ste predišli zraneniam, neodstraňujte ani neupravujte bezpečnostné zariadenia.
- Pri používaní rezného zariadenia používajte odolné rukavice. Nôž je veľmi ostrý a ľahko môže dôjsť k porezaniu.
- Rezné hrany udržiavajte ostré a čisté, aby ste dosiahli ten najlepší a najbezpečnejší výkon.
- Nechajte výrobok pravidelne prehliadnuť servisným zástupcom a vykonať na ňom potrebné nastavenia a opravy.
- Pri výmene príslušenstva sa riadte pokynmi. Používajte iba príslušenstvo od daného výrobcu.
- Keď sa výrobok, batéria a nabíjačka batérií nepoužívajú, skladujte ich oddelene na suchom mieste uzamknuté v interiéri. Zaisťte, aby sa k výrobku, batérii ani k nabíjačke batérií nedostali deti ani neoprávnené osoby.

Bezpečnostné pokyny pre údržbu



VÝSTRAHA: Skôr než budete výrobok používať, prečítajte si nasledujúce výstrahy.

Montáž

Úvod



VÝSTRAHA: Pred zostavením výrobku si prečítajte kapitolu o bezpečnosti.



VÝSTRAHA: Neúmyselnému spusteniu počas montáže predídete otočením bezpečnostného kľúča do polohy 0, vybratím batérie a dodržaním aspoň 5-sekundovej prestávky.

3. Potiahnite rukoväť do vhodnej polohy.
4. Dajte 2 rukoväť do vodorovnej polohy.



VAROVANIE: Ak rukoväť nie sú vo vodorovnej polohe, výrobok sa poškodí.

5. Otočte poistné gombíky na rukovätiach v smere hodinových ručičiek.
6. Poistné gombíky utiahnite na doraz.

Inštalácia zberného koša

1. Nadvihnite zadný kryt.
2. Odstráňte zástrčku na mulčovanie.
3. Upevnite zberný kôš na horný okraj rámu.
4. Vložte spodnú časť zberného koša do kanála na vyhadzovanie trávy. (Obr. 28)



VAROVANIE: Uistite sa, že je zberný kôš správne utesnený k podvozku produktu.

Nastavenie výšky rukoväti

Výrobok má voľný rozsah nastavenia výšky rukoväti. Výšku rukoväti je možné nastaviť na príslušnú výšku medzi 2 nastavenými bodmi.

1. Nastavte výrobok do prevádzkovej polohy. V časti *Nastavenie výrobku do prevádzkovej polohy na strane 485.*
2. Otočte poistné gombíky na rukovätiach proti smeru hodinových ručičiek. (Obr. 27)

Inštalácia mulčovacej zarážky

1. Nadvihnite zadný kryt a vyberte zberný kôš.
2. Zatlačte mulčovaciu zarážku do kanála na vyhadzovanie trávy, kým sa nezvze cvaknutie. (Obr. 29)

Montáž háku na stenu

- Hák nainštalujte vo vnútri.
- Hák uchovávajte mimo slnečného žiarenia a pri okolitej teplote prostredia od -10 °C do +70 °C.
- Hák inštalujte na sadrokartón, drevenú alebo betónovú stenu.



VAROVANIE: Uistite sa, že stena udrží záťaž s hmotnosťou minimálne 30 kg.

- Namontujte hák na stenu pomocou 3 skrutiek (A). V prípade potreby použite hmoždinky (B). (Obr. 30)



VAROVANIE: Uistite sa, že skrutky sú vhodné na použitie pre váš typ steny.

- Informácie o dostupnom príslušenstve na skladovanie výrobku získate od servisného zástupcu spoločnosti Husqvarna.

Prevádzka

Úvod



VÝSTRAHA: Pred používaním výrobku si musíte prečítať kapitolu o bezpečnosti a porozumieť informáciám, ktoré sa v nej uvádzajú.

skladaní rukoväti do transportnej polohy poškodiť kábel.



VÝSTRAHA: Uistite sa, že je rukoväť celkom sklopená nahor a v uzamknutej polohe.

Husqvarna Connect

Husqvarna Connect je bezplatná aplikácia pre mobilné zariadenia. Aplikácia Husqvarna Connect prináša rozšírené funkcie pre výrobok Husqvarna:

- Rozšírené informácie o výrobku.
- Informácie a podpora vzťahujúce sa na súčasti výrobku a servis.

3. Nastavte výšku rukoväti. V časti *Nastavenie výšky rukoväti na strane 484.*

Nastavenie výšky rezu

1. Ak chcete zvýšiť výšku rezu, posuňte páku výšky rezu smerom dozadu.
2. Ak chcete znížiť výšku rezu, posuňte páku výšky rezu smerom dopredu. (Obr. 33)

Ako používať Husqvarna Connect

1. Stiahnite si aplikáciu Husqvarna Connect do mobilného zariadenia.
2. Zaregistrujte sa v aplikácii Husqvarna Connect.
3. Ak chcete pripojiť a zaregistrovať produkt, postupujte podľa pokynov v aplikácii Husqvarna Connect.

Poznámka: Aplikácia Husqvarna Connect je k dispozícii na prevzatie iba v niektorých trhoch. Ak potrebujete ďalšie informácie, obráťte sa na servisného predajcu.



VAROVANIE: Nenastavujte výšku rezu príliš nízko. Ak nie je povrch trávnik rovinný, nože môžu narážať o zem.

Batéria



VÝSTRAHA: Pred používaním batérie si musíte prečítať kapitolu o bezpečnosti a porozumieť informáciám, ktoré sa v nej uvádzajú. Okrem toho si musíte prečítať návod na obsluhu batérie a nabíjačky batérií a porozumieť jeho obsahu.

Nastavenie výrobku do prevádzkovej polohy

1. Otočte gombíky rukoväte do odomknutej polohy. (Obr. 31)
2. Sklopte rukoväť nahor, kým sa ozve cvaknutie. (Obr. 32)



VAROVANIE: Skontrolujte, či v kábloch nie je príliš veľké napnutie. Nadmerné napnutie kábla môže pri

Batériu a nabíjačku udržiavajte pri správnej teplote okolia.

| | Teplota okolitého prostredia |
|------------------------------|------------------------------|
| Prevádzka batérie vo výrobku | 0 °C – +40 °C |
| Nabíjanie batérie | 0 °C – +35 °C |

Nabíjanie batérie

Batériu nabíjate pred prvým použitím.

Poznámka: Nabíjanie je možné len pri teplote batérie, ktorá je v rámci povoleného teplotného rozsahu pre nabíjanie (0 – 45 °C).

1. Napájací kábel nabíjačky batérií pripojte do uzemnenej siete.



VAROVANIE: Uistite sa, že sieť má správne napätie a frekvenciu.

2. Vložte batériu do nabíjačky batérií. Batéria je pripojená k nabíjačke batérií, keď bliká zelený indikátor LED. (Obr. 34)
3. Batéria je plne nabitá, keď svieti zelený indikátor LED na nabíjačke. Batériu nabíjajte maximálne 24 hodín.
4. Odpojte nabíjačku batérie zo zásuvky.



VAROVANIE: Neťahajte za napájací kábel.

5. Vyberte batériu z nabíjačky batérií.

Indikátor LED stavu batérie na nabíjačke batérií

Červený indikátor LED (A) a zelený indikátor LED (B) na nabíjačke batérie zobrazujú stav batérie. V časti *Riešenie problémov s batériou na strane 489*.

(Obr. 35)

| Indikátor LED | Stav batérie |
|---|--|
| Rýchlo blikajúci zelený indikátor LED. | Batéria sa nabíja. |
| Pomaly blikajúci zelený indikátor LED. | Batéria je nabitá na 80 %. |
| Svieti zelený indikátor LED. | Batéria je úplne nabitá. |
| Svieti červený indikátor LED. | V časti <i>Riešenie problémov s batériou na strane 489</i> . |
| Rýchlo blikajúci červený indikátor LED. | V časti <i>Riešenie problémov s batériou na strane 489</i> . |

Indikátor LED stavu batérie na výrobku

Keď je akumulátor nainštalovaný vo výrobku, indikátory LED na výrobku zobrazujú stav batérie.

(Obr. 36)

| Indikátor LED | Stav batérie |
|--------------------------------|--|
| Svieti indikátor LED 1, 2 a 3. | Úplne nabitá. |
| Svieti indikátor LED 1 a 2. | Dostatočne nabitá |
| Svieti indikátor LED 1. | Kapacita batérie je nízka. |
| Bliká indikátor LED 1. | Batéria je vybitá. Indikátor stavu batérie bliká. Nabite batériu. V časti <i>Nabíjanie batérie na strane 485</i> . |

Zapnutie výrobku

1. Otvorte kryt batérie.
2. Vložte nabitú batériu do držiaka batérie.
3. Otočte bezpečnostný kľúč do polohy 1. (Obr. 37)
4. Stojte za výrobkom.
5. Povoľte poistku naštartovania. (Obr. 26)
6. Potlačte páku pohonu smerom k hornej rukoväti. (Obr. 38)

Funkcia vysokého zaťaženia

Keď výrobok kosí dlhú alebo mokrú trávu, motor automaticky zvýši otáčky. Motor sa vráti do štandardného režimu, keď už vysoké zaťaženie nie je potrebné.

Zastavenie motora

Počas prevádzky sa môže nôž a motor dočasne zastaviť kvôli prekážkam, ako je napríklad upchatie trávou pod krytom rezacej časti. V časti *Čistenie výrobku na strane 488*.



VÝSTRAHA: Pred kontrolou krytu rezacej časti uvoľnite rukoväť motorovej brzdy, otočte bezpečnostný kľúč do polohy 0, vyberte akumulátor a počkajte minimálne 5 sekúnd. V prípade odstránenia prekážky a náhodného spustenia výrobku hrozí nebezpečenstvo poranenia.

Zastavenie výrobku



VÝSTRAHA: Skôr než spustíte výrobok z dohľadu, otočte bezpečnostný kľúč do polohy 0.

1. Motor zastavíte uvoľnením brzdovej rukoväti motora. (Obr. 39)
2. Otvorte kryt akumulátora a otočte bezpečnostný kľúč do polohy 0. (Obr. 40)

3. Akumulátor vyberte zatlačením uvoľňovacieho tlačidla a potiahnutím akumulátora smerom von. (Obr. 41)
4. Ak má akumulátor nízku kapacitu, nabite ho. Ďalšie informácie získate v časti *Nabíjanie batérie na strane 485*.

Zabezpečenie optimálnych výsledkov

- Vždy používajte ostrý nôž. Tupý nôž poskytuje nepravidelné výsledky kosenia a pokosený povrch trávniky zožltne. Ostrý nôž spotrebuje menej energie ako tupý nôž.

- Nekoste viac ako 1/3 dĺžky trávy. Najprv koste s nastavenou vysokou výškou rezu. Skontrolujte výsledok a znížte výšku rezu na príslušnú úroveň. Ak je tráva veľmi vysoká, pohybujte sa pomaly a ak je to potrebné, pokoste ju dvakrát.
- Zakaždým koste iným smerom, aby ste predišli vzniku pruhov na trávniku.
- Udržiavajte kryt kosačky čistý. Nahromadenie trávy a nečistoty na vnútornej strane krytu kosačky môže viesť k horšiemu výsledku kosenia. Pozrite si časť *Čistenie výrobku na strane 488*.

Údržba

Úvod



VÝSTRAHA: Pred vykonávaním akejkoľvek údržby si musíte prečítať kapitolu o bezpečnosti a porozumieť jej.

Údržba a opravné práce na výrobku si vyžadujú špeciálne školenie. Zaručujeme dostupnosť profesionálnych opravných prác a údržby. Ak váš predajca nie je servisný zástupca, kontaktujte predajcu, ktorý vám poskytne informácie o najbližšom servisnom zástupcovi.

Podrobnejšie informácie nájdete na stránke www.husqvarna.com.

Plán údržby

Intervaly údržby sú vypočítané na základe každodenného používania výrobku. Ak sa výrobok nepoužíva každý deň, tieto intervaly sa menia.

V prípade údržby označenej symbolom * si pozrite pokyny v časti *Bezpečnosť na strane 478*.

| | Pri každom použití | Mesačne | Každú sezónu |
|---|--------------------|---------|--------------|
| Vykonajte všeobecnú kontrolu. | X | | |
| Vyčistite výrobok. | X | | |
| Skontrolujte poistku naštartovania. * | X | | |
| Skontrolujte, či sú bezpečnostné zariadenia na výrobku nepoškodené. * | X | | |
| Skontrolujte rezné zariadenie. | X | | |
| Skontrolujte kryt rezacej časti. * | X | | |
| Skontrolujte rukoväť motorovej brzdy. * | X | | |
| Skontrolujte, či nie je poškodená batéria. | X | | |
| Skontrolujte nabitie batérie. | X | | |
| Skontrolujte, či uvoľňovacie tlačidlo na batérii funguje správne a riadne zaistuje batériu vo výrobku. | X | | |
| Skontrolujte, či nabíjačka batérií nie je poškodená, a presvedčte sa, či funguje správne. | | X | |
| Skontrolujte prepojenia medzi batériou a výrobkom. Skontrolujte aj prepojenie medzi akumulátorom a nabíjačkou akumulátorov. | | | X |

Vykonanie všeobecnej kontroly

- Uistite sa, že sú dotiahnuté matice a skrutky na výrobku.
- Skontrolujte, či káble výrobku nie sú v polohe, v ktorej by sa mohli poškodiť.

Čistenie výrobku

- Plastové diely čistite čistou a suchou handričkou.
- Výrobok neumývajte vodou. Voda môže preniknúť do batérie alebo motora a spôsobiť skrat alebo poškodenie výrobku.
- Na čistenie výrobku nepoužívajte vysokotlakový čistič.
- Nikdy nelejte vodu priamo na motor.
- Pomocou kefy odstráňte listy, trávu a nečistoty.

Čistenie batérie a nabíjačky batérií



VÝSTRAHA: Batériu ani nabíjačku batérií nečistite vodou.



VÝSTRAHA: Na čistenie akumulátora nepoužívajte žiadne chemické látky.

- Pred vložením batérie do nabíjačky batérií skontrolujte, či sú batéria a nabíjačka batérií čisté a suché.
- Svorky batérie čistite stlačeným vzduchom alebo mäkkou a suchou handričkou.
- Povrch batérie a nabíjačky batérií čistite mäkkou a suchou handričkou.

Kontrola rezného zariadenia



VÝSTRAHA: Aby ste zabránili náhodnému spusteniu, otočte bezpečnostný kľúč do polohy 0, vyberte batériu a počkajte minimálne 5 sekúnd.



VÝSTRAHA: Pri vykonávaní údržby rezného zariadenia používajte ochranné rukavice. Nôž je veľmi ostrý a ľahko môže dôjsť k porezaniu.

1. Skontrolujte, či sa na reznom zariadení nenachádzajú známky poškodenia alebo praskliny. Poškodené rezné zariadenie vždy vymeňte.
2. Skontrolujte, či nie je poškodený alebo tupý nôž.

Poznámka: Po nabrúsení je potrebné nôž vyrovnat'. Nôž nechajte nabrúsiť, vymeniť a vyrovnat' v servisnom stredisku. Ak narazíte na predmet, ktorý spôsobí zastavenie výrobku, vymeňte poškodený nôž. Nechajte, aby servisné stredisko rozhodlo, či je možné nôž nabrúsiť alebo sa musí vymeniť.

Výmena noža

V časti *Technické údaje na strane 492* nájdete informácie o správnom type noža.



VÝSTRAHA: Aby ste zabránili poraneniu prstov pri výmene noža, zaistite ho dreveným blokom. Nôž sa môže pohybovať, keď je motor vypnutý, a prsty sa môžu zaseknúť medzi nožom a nepohyblivými časťami.

1. Pomocou dreveného bloku zaistíte nôž. (Obr. 42)
2. Odstráňte skrutku noža.
3. Odstráňte nôž.
4. Skontrolujte držiak noža a skrutku noža kvôli známkam poškodenia.
5. Skontrolujte hriadeľ motora a uistite sa, že nie je ohnutý.
6. Pri upevňovaní nového noža nasmerujte zošíkmené konce noža v smere krytu rezacej časti. (Obr. 43)
7. Uistite sa, že je nôž zarovnaný so stredom hriadeľa motora.
8. Pomocou dreveného bloku zaistíte nôž. Pripevnite párovú podložku a utiahnite skrutku a podložku momentom 23-28 Nm. (Obr. 44)
9. Rukou potočte nožom a uistite sa, že sa voľne otáča.



VÝSTRAHA: Používajte odolné rukavice. Nôž je veľmi ostrý a ľahko môže dôjsť k porezaniu.

10. Zapnite výrobok a otestujte nôž. Ak nôž nie je správne upevnený, výrobok vibruje alebo poskytuje neuspokojivé výsledky kosenia.

Riešenie problémov

Riešenie problémov s batériou

| Indikátor LED na nabíjačke batérií | Príčina | Riešenie |
|---|--|--|
| Zelený indikátor LED svieti a červený indikátor LED bliká. | Batéria nie je správne vložená do nabíjačky batérie. | Vyberte batériu z nabíjačky a znova ju vložte do nabíjačky. |
| | Konektory batérie sú znečistené. | Vyčistite konektory batérie. |
| | Nabíjačka zaznamenala vnútornú chybu. | Uistite sa, že sú všetky batérie úplne zasunuté. Odpojte zo sieťovej zásuvky a znova pripojte. Ak opäť dôjde k chybe, dajte si nabíjačku skontrolovať v autorizovanom servisnom stredisku pre výrobky Husqvarna. |
| | Batéria je chybná. | Vymeňte batériu. |
| Červený indikátor LED svieti a zelený indikátor LED nesvieti. | Teplota batérie sa nachádza mimo rozsahu pre nabíjanie. | Počkajte, kým sa teplota batérie nevráti do povoleného teplotného rozsahu pre nabíjanie (0 – 45 °C). |
| Zelený indikátor LED a červený indikátor LED nesvietia. | Nabíjačka batérie nie je správne pripojená k sieťovej zásuvke. | Pripojte nabíjačku batérií do sieťovej zásuvky. |
| | Chybná sieťová zásuvka. | Pripojte nabíjačku batérií k zdroju napätia a frekvencie uvedeného na výkonovom štítku. |
| | Kábel nabíjačky batérie je chybný. | Kontaktujte schváleného servisného zástupcu spoločnosti. |
| | Nabíjačka akumulátora je chybná. | |
| Iné chyby. | Ak sa vyskytnú iné chyby, uistite sa, že je výrobok vypnutý, vyberte batériu a obráťte sa na autorizovaného servisného zástupcu. | |

Riešenie problémov s kosačkou na trávu

Výstražný indikátor (chybová dióda LED) sa nachádza na zadnej strane produktu za krytom akumulátora.

| Problém | Díóda LED na signalizáciu chýb (počet bliknutí) | Prčina | Riešenie |
|---|---|--|---|
| Bliká LED díóda signalizujúca poruchu. Generátor nefunguje správne. | 5 | Nôž je blokový. | Otočte bezpečnostný kľúč do polohy 0, aby sa zabránilo náhodnému spusteniu. Vyberte batériu a počkajte minimálne 5 sekúnd. Odstráňte možné prekážky a zabezpečte, aby sa nôž mohol voľne otáčať. Ak problém pretrváva, obráťte sa na schváleného servisného zástupcu. |
| | | Otáčky motora výrazne klesajú a motor sa zastavuje. | Zvýšte výšku rezu. V časti <i>Nastavenie výšky rezu na strane 485</i> . |
| | 10 | Riadenie motora je príliš horúce. | Zastavte motor a počkajte, kým nevychladne. |
| Bliká LED díóda signalizujúca poruchu. Výrobok sa zastaví. | 22 | Teplota akumulátora je príliš vysoká kvôli príliš vysokej teplote v pracovnom prostredí. | Pred opätovným spustením stroja vyberte akumulátor zo stroja a počkajte, kým vychladne. Dbajte na to, aby bola teplota okolia správna. Akumulátor používajte pri teplotách medzi 0°C až +40°C. Ak problém pretrváva, obráťte sa na schváleného servisného zástupcu. |
| | | Teplota akumulátora je príliš vysoká, pretože je preťažený motor | Zvýšte výšku rezu. V časti <i>Nastavenie výšky rezu na strane 485</i> . Ak problém pretrváva, obráťte sa na schváleného servisného zástupcu. |
| | 0 | Chyba konektora akumulátora. | Skontrolujte konektor akumulátora. |
| | 3 | Motor je preťažený. | Zvýšte výšku rezu. V časti <i>Nastavenie výšky rezu na strane 485</i> . |
| | 9 | Chyba batérie alebo žiaden signál z batérie. | Vložte batériu do výrobku správne a skontrolujte konektor batérie. Ak bliká díóda LED signalizujúca poruchu na akumulátore, pozrite si časť <i>Riešenie problémov s batériou na strane 489</i> . Ak problém pretrváva, obráťte sa na schváleného servisného zástupcu. |
| | 8 | Kapacita batérie je nízka. | Nabite batériu. V časti <i>Nabíjanie batérie na strane 485</i> . |
| | 12 | Nesprávny postup štartovania. Pred spustením motora bola aktivovaná rukoväť motorovej brzdy. | Uvoľníte rukoväť motorovej brzdy a počkajte približne 5 sekúnd. Výrobok spustíte opätovným stlačením rukoväti motorovej brzdy nadol. |
| Iné chyby. | Ak sa vyskytnú ďalšie chyby, otočte bezpečnostný kľúč do polohy 0, vyberte akumulátor a obráťte sa na autorizovaného servisného zástupcu. | | |

Preprava, skladovanie a likvidácia

Úvod



VÝSTRAHA: Neúmyselnému spusteniu počas prepravy a skladovania predídete otočením bezpečnostného kľúča do polohy 0, vybratím akumulátora a dodržaním aspoň 5-sekundovej prestávky.

Nastavenie výrobku do transportnej polohy

1. Odstráňte zberný kôš a uistite sa, že je prázdny.
2. Otočte poistné gombíky na rukoväti proti smeru hodinových ručičiek do odomknutej polohy. (Obr. 45)
3. Zatiačte rukoväť smerom k zadnému krytu.
4. Otočte poistné gombíky na rukoväti v smere hodinových ručičiek do zamknutej polohy.
5. Otočte gombíky rukoväte do odomknutej polohy. (Obr. 46)
6. Sklopte rukoväť tak, aby bolo počuť cvaknutie. (Obr. 47)

V časti *Nastavenie výrobku do skladovacej polohy na strane 491* nájdete informácie o skladovaní výrobku.

Preprava

- Právne predpisy upravujúce nebezpečný tovar sa vzťahujú aj na používané lítium-iónové batérie.
- Pri obchodnej preprave treba dodržiavať špeciálne požiadavky týkajúce sa balenia a štítkov.
- Počas prípravy výrobku na prepravu zaistíte, aby ste splňali právne predpisy týkajúce sa nebezpečných materiálov. Na túto situáciu sa môžu vzťahovať aj miestne nariadenia.
- Pred prepravou vždy vyberte batériu.
- Konektory batérie prelepte páskou a zaistíte, aby sa batéria počas prepravy nehýbala.
- Počas prepravy výrobok zaistíte.

Skladovanie

- Pred uskladnením nechajte výrobok vychladnúť.
- Pred uložením vždy vyberte batériu.
- Aby ste predišli nehodám, ubezpečte sa, že batéria nie je počas skladovania pripojená k výrobku.
- Nabíjačku batérie skladujte v uzavretých a suchých priestoroch.
- Batériu a nabíjačku batérie skladujte v uzavretých a suchých priestoroch, kde nie sú vystavené vlhkosti ani mrazu.
- Počas skladovania odpojte batériu od nabíjačky.
- Neskladujte batériu na mieste s výskytom statickej elektriny. Batériu nekladajte do kovovej skrinky.

- Výrobok skladujte pri teplote okolitého prostredia v rozsahu $-20\text{ }^{\circ}\text{C}$ až $+50\text{ }^{\circ}\text{C}$.
- Batériu skladujte pri teplote okolitého prostredia v rozsahu $-20\text{ }^{\circ}\text{C}$ až $+50\text{ }^{\circ}\text{C}$ a nevystavujte ju priamemu slnečnému svetlu.
- Nabíjačku skladujte na suchom mieste bez výskytu vlhkosti a mrazov.
- Pred dlhodobým skladovaním sa uistite, že akumulátor je čistý a nabitý.
- Výrobok, batériu a nabíjačku batérie skladujte v uzamknutom priestore mimo dosahu detí a neoprávnených osôb.
- Vyčistite výrobok a uistite sa, že zberný kôš je prázdny.
- Vykonávajte údržbu uvedenú v tomto návode na obsluhu. V časti *Údržba na strane 487*.
- Pred dlhodobým uskladnením vykonajte kompletný servis výrobku.

Nastavenie výrobku do skladovacej polohy



VÝSTRAHA: Neúmyselnému spusteniu počas prepravy a skladovania predídete otočením bezpečnostného kľúča do polohy 0, vybratím akumulátora a dodržaním aspoň 5-sekundovej prestávky.

1. Vyberte batériu.
2. Nastavte výrobok do transportnej polohy. V časti *Nastavenie výrobku do transportnej polohy na strane 491*.
3. Presuňte výrobok na miesto skladovania.

Vodorovné skladovanie výrobku na zemi

1. Nastavte výrobok do skladovacej polohy. V časti *Nastavenie výrobku do skladovacej polohy na strane 491*.
2. Pripevnite zberný kôš. V časti *Pripevnenie zberného koša na strane 492*.
3. Skladujte výrobok vodorovne na zemi. (Obr. 48)

Zvislé skladovanie výrobku na zemi

1. Nastavte výrobok do skladovacej polohy. V časti *Nastavenie výrobku do skladovacej polohy na strane 491*.
2. Zdvihnite výrobok za zdvíhacie body na rukoväti a položte výrobok zvisle na rovný povrch. (Obr. 49)



VÝSTRAHA: Výrobok nedvíhajte za kryt rezacej časti. Nôž je veľmi ostrý a ľahko môže dôjsť k porezaniu.

3. Pripevnite zberný kôš. V časti *Pripevnenie zberného koša na strane 492*.

- Uistite sa, že je výrobok stabilný a že sa 2 podporné nohy dotýkajú podlahy.
- Skladujte výrobok zvisle na zemi. (Obr. 50)

Zvislé skladovanie výrobku na dodanom háku



VÝSTRAHA: Výrobok zaveste na stenu iba pomocou dodaného háka.

- Nainštalujte dodaný hák. V časti *Montáž háku na stenu na strane 485*.
- Nastavte výrobok do skladovacej polohy. V časti *Nastavenie výrobku do skladovacej polohy na strane 491*.
- Zdvihnite výrobok za zdvíhacie body na rukoväti. (Obr. 49)



VÝSTRAHA: Výrobok nedvíhajte za kryt rezacej časti. Nôž je veľmi ostrý a ľahko môže dôjsť k porezaniu.

- Zaveste výrobok zvisle na dodanom háku. V časti *Montáž háku na stenu na strane 485*. (Obr. 51)
- Uistite sa, že výrobok správne visí a je stabilný na 2 tyčiach háka.
- Pripevnite zberný kôš. V časti *Pripevnenie zberného koša na strane 492*.

Pripevnenie zberného koša

- Pripevnite zberný kôš do drážky na prednej strane výrobku. (Obr. 52)

- Zatlačte spodnú časť zberného koša do zdvíhacieho bodu, kým sa ozve cvaknutie. (Obr. 53)

Likvidácia

Symbols na výrobku alebo na obale výrobku označujú, že sa tento výrobok nesmie likvidovať ako domáci odpad. Musí sa odovzdať do príslušnej recyklačnej stanice pre recykliáciu elektrických a elektronických zariadení.

Zaistením správnej likvidácie tohto výrobku pomôžete zabrániť potenciálnemu negatívne dopadu na životné prostredie a zdravie ľudí, ktorý by inak mohol byť dôsledkom nesprávnej likvidácie tohto výrobku. Podrobnejšie informácie o recykliácii tohto výrobku získate na mestskom úrade, od služby zaisťujúcej spracovanie domáceho odpadu alebo v predajni, kde ste výrobok zakúpili.

(Obr. 54)

Iba pre krajiny EÚ: V súlade so smernicou 2006/66/ES musia byť chybné alebo použité akumulátory/batérie zbierané samostatne a likvidované spôsobom, ktorý chráni životné prostredie.

Iba pre Spojené kráľovstvo: V súlade s nariadením o použitých batériách a akumulátoroch z roku 2009 (Waste Batteries and Accumulators Regulations 2009 (SI 2009/890)) musia byť nepoužiteľné akumulátory/batérie zbierané samostatne a likvidované spôsobom, ktorý je šetrný voči životnému prostrediu.

Technické údaje

Technické údaje

| | Aspire LC34-P4A |
|--|--------------------------|
| Kosiaci motor | |
| Typ motora | BLDC (bezkontaktný) 18 V |
| Otáčky motora – menovité, ot./min. | 3000 |
| Otáčky motora – vysoké zaťaženie, ot./min. | 3500 |
| Výstupný výkon motora – max., kW | 0,7 |
| Výstupný výkon motora – menovitý, kW | 0,5 |
| Hnací motor | |
| Výstupný výkon motora – menovitý, kW | – |
| Rýchlosť kráčania, km/h | – |
| Úrovně nastavenia rýchlosti | – |
| Hmotnosť | |
| Hmotnosť bez obalu (bez batérie), kg | 11,5 |

| | |
|--|------------------------|
| | Aspire LC34-P4A |
| Hmotnosť s obalom (vrátane 1x P4A 18-B72), kg | 13,5 |
| Batéria | |
| Typ batérie | Lítium-iónová |
| Prevádzková doba batérie | |
| Prevádzková doba akumulátora, min. ⁸⁵ | 60 |
| Emisie hluku ⁸⁶ | |
| Nameraná hladina akustického výkonu, dB (A) | 86 |
| Zaručená úroveň hlučnosti L _{WA} dB(A) | 87 |
| Úrovně hlučnosti ⁸⁷ | |
| Hladina akustického tlaku pri uchu obsluhy, dB (A) | 74 |
| Úrovně vibrácií ⁸⁸ | |
| Rukoväť, m/s ² | 0,5 |
| Rezné zariadenie | |
| Výška rezu, mm | 30 – 65 |
| Šírka kosenia, cm | 34 |
| Štandardná čepeľ | Combi 5375561-10 |
| Príslušenstvo nožov | – |
| Kapacita zberného koša, l | 30 |

Schválené batérie

Tento produkt je kompatibilný s **POWER FOR ALL** batériami. Pre najlepší výkon odporúčame použiť batérie s výkonom minimálne 4,0 Ah.

| Batéria | P4A 18-B45 | P4A 18-B72 |
|------------------------|---------------|---------------|
| Typ | Lítium-iónová | Lítium-iónová |
| Kapacita batérie, Ah | 2,5 | 4,0 |
| Menovité napätie, V | 18 | 18 |
| Hmotnosť, kg | 0,35 | 0,65 |
| Počet článkov (Li-Ion) | 5 | 10 |

⁸⁵ (voľný chod) s aktivovaným štandardným režimom, s jedným akumulátorom Husqvarna 4,0 Ah (P4A 18-B72).

⁸⁶ Hladina hluku meraná ako akustický tlak (L_{WA}) v súlade s európskou smernicou 2000/14/ES.

⁸⁷ Uvádzané údaje o hladine akustického tlaku majú faktor neistoty (K) 1,5 dB (A).

⁸⁸ Uvádzané údaje týkajúce sa hladiny vibrácií majú faktor neistoty (K) 1,5 m/s². Deklarovaná celková hodnota vibrácií bola meraná v súlade s Prílohou 1 normy EN 62841-4-3 a môže sa použiť na porovnanie jedného stroja s iným a na predbežné posúdenie expozície.

Schválené nabíjačky akumulátorov

| Nabíjačka batérie | P4A 18-C70 |
|--------------------|------------|
| Vstupné napätie, V | 220 – 240 |
| Frekvencia, Hz | 50–60 |
| Výkon, W | 70 |

Vyhlásenie o zhode

Vyhlásenie o zhode EÚ

My, spoločnosť **Husqvarna AB**, SE-561 82 Huskvarna, Švédsko, tel.: +46-36-146500, vyhlasujeme s plnou zodpovednosťou, že výrobok:

| | |
|----------------------|-------------------------------------|
| Popis | Kosačka na tráv |
| Značka | Husqvarna |
| Typ/model | Aspire LC34-P4A |
| Identifikácia | Výrobné čísla od roku 2022 a novšie |

plne spĺňa nasledujúce smernice a nariadenia EÚ:

| Nariadenie | Popis |
|-------------------|--|
| 2006/42/ES | „o strojových zariadeniach“ |
| 2014/30/EÚ | „o elektromagnetickej kompatibilite“ |
| 2000/14/ES | „týkajúca sa emisie hluku v prostredí pochádzajúceho zo zariadení používaných vo voľnom priestranstve“ |
| 2011/65/EÚ | „o obmedzení používania určitých nebezpečných látok v elektrických a elektronických zariadeniach“ |

a že sa pri ňom uplatňujú nasledujúce normy a technické špecifikácie: EN 62841-1:2015/AC:2015, EN IEC 62841-4-3:2021/A11:2021, EN ISO 12100:2010, EN 55014-1:2021, EN 55014-2:2021, EN IEC 61000-6-2:2019, EN IEC 61000-6-3:2021, EN IEC 63000:2018

Notifikovaný orgán: 0404, RISE SMP Svensk Maskinprovning AB, Box 4053, SE-904 03 Umeå, Sweden osvedčil zhodu so smernicou Rady 2000/14/ES, posudzovanie zhody: príloha VI.

Informácie týkajúce sa emisií hluku nájdete v časti *Technické údaje na strane 492*.

Huskvarna, 2022-10-24



Claes Losdal, Manažér vývoja/Produkty pre záhradu
Husqvarna AB

Zodpovedný za technickú dokumentáciu



Copyright © 2012–2020 STMicroelectronics

Záruka sa nevzťahuje na poruchy, ktoré vznikli v dôsledku bežného opotrebovania a poškodenia, nedbanlivosti, nesprávneho používania, nepovolennej opravy alebo pripojenia scieho mechanizmu k zásuvke s nesprávnym napätím.

Všetky práva vyhradené.

Redistribúcia a používanie v zdrojovej a binárnej forme, s úpravami alebo bez nich, sú povolené za predpokladu, že sú splnené nasledujúce podmienky:

- Redistribúcie zdrojového kódu musia obsahovať vyššie uvedené oznámenie o autorských právach, tento zoznam podmienok a nasledujúce vylúčenie zodpovednosti.
- V redistribúciách v binárnej forme sa musí reprodukovať vyššie uvedené oznámenie o autorských právach, tento zoznam podmienok a nasledujúce vyhlásenie o vylúčení zodpovednosti v dokumentácii a/alebo iných materiáloch poskytnutých s distribúciou.
- Ani názov STMicroelectronics, ani mená prispievateľov sa nesmú použiť na podporu alebo propagáciu výrobkov odvodených z tohto softvéru bez osobitného predchádzajúceho písomného povolenia.

DRŽITELIA AUTORSKÝCH PRÁV A PRISPIEVATELIA POSKYTUJÚ TENTO SOFTVÉR „TAK, AKO JE“ A AKÉKÖLVEK VÝSLOVNÉ ALEBO IMPLICITNÉ ZÁRUKY VRÁTANE, ALE NIE VÝHRADNE, IMPLIKOVANÝCH ZÁRUK PREDAJNOSTI A VHDNOSTI NA KONKRÉTNY ÚČEL SA ODMIETAJÚ. V ŽIADNOM PRÍPADE NEBUDÚ VLASTNÍK AUTORSKÝCH PRÁV ANI PRISPIEVATELIA ZODPOVEDNÍ ZA AKÉKÖLVEK PRIAME, NEPRIAME, NÁHODNÉ, ŠPECIÁLNE ALEBO NÁSLEDNÉ ŠKODY ANI EXEMPLÁRNŤU NÁHRADU ŠKODY (VRÁTANE, ALE NIE VÝHRADNE, OBSTARÁVANIA NÁHRADNÉHO TOVARU ALEBO SLUŽIEB, NÁHRADY ZA STRATU MOŽNOSTI POUŽITIA, ÚDAJOV ALEBO STRATU ZISKU ALEBO PRERUŠENIE PODNIKANIA), ČI UŽ IDE O ZMLUVU, OBJEKTÍVNU ZODPOVEDNOSŤ ALEBO NÁROKY Z MIMOSÚDNEJ ZODPOVEDNOSTI (VRÁTANE NEDBALOSTI ALEBO INÉ), VYPLÝVAJÚCE AKÝMKÖLVEK SPÖSÖBOM Z POUŽÍVANIA TOHTO SOFTVÉRU, A TO ANI V PRÍPADE UPOZORNENIA NA MOŽNOSŤ TAKEJTO ŠKODY.

Licencia Apache 2.0

Copyright © 2009-2019 Arm Limited. Všetky práva vyhradené.

Verzia 2.0, január 2004 <http://www.apache.org/licenses/>

ZMLUVNÉ PODMIENKY POUŽÍVANIA,
REPRODUKOVANIA A DISTRIBÚCIE

1. Definície.

„**Licencia**“ znamená podmienky používania, reprodukcie a distribúcie, ako sú definované v častiach 1 až 9 tohto dokumentu. „**Poskytovateľ licencie**“ znamená vlastníka autorských práv alebo subjekt poverený vlastníkom autorských práv, ktorý udeľuje licenciu.

„**Právnická osoba**“ znamená spojenie konajúceho subjektu a všetkých ostatných subjektov, ktoré tento subjekt ovládajú, sú ním kontrolované alebo sú s ním pod spoločnou kontrolou. Na účely tejto definície „**kontrola**“ znamená (i) priamu alebo nepriamu právomoc vykonávať riadenie alebo správu takéhoto subjektu, či už na základe zmluvy alebo inak, alebo (ii) vlastníctvo päťdesiatich percent (50 %) alebo viac akcií v obehu alebo (iii) bezprostredné vlastníctvo takéhoto subjektu.

„**Vy**“ (alebo „**váš**“) znamená fyzickú osobu alebo právnickú osobu, ktorá uplatňuje povolenia udelené touto licenciou. „**Zdrojová**“ forma znamená preferovanú formu na vykonávanie úprav vrátane, ale nie výlučne, zdrojového kódu softvéru, zdroja dokumentácie a konfiguračných súborov. „**Objektová**“ forma znamená akúkoľvek formu, ktorá je výsledkom mechanickej transformácie alebo prekladu zdrojovej formy vrátane, ale nie výlučne, skompilovaného objektového kódu, vygenerovanej dokumentácie a konverzií na iné typy médií. „**Dielo**“ znamená autorské dielo, či už v zdrojovej forme alebo objektivej forme, sprístupnené na základe licencie, ako je uvedené v oznámení o autorských právach, ktoré je súčasťou diela alebo je k nemu pripojené (príklad je uvedený v prílohe nižšie).

„**Odvodené diela**“ znamenajú akékoľvek dielo, či už v zdrojovej forme alebo objektivej forme, ktoré je založené na diele (alebo je z neho odvodené) a pre ktoré redakčné revízie, anotácie, rozpracovania alebo iné úpravy predstavujú ako celok pôvodné autorské dielo. Na účely tejto licencie nebudú odvodené diela zahŕňať diela, ktoré zostanú oddeliteľné od rozhraní diela a odvodených diel alebo sú s nimi prepojené (alebo sú s nimi prepojené názvom).

„**Príspevok**“ znamená akékoľvek autorské dielo vrátane pôvodnej verzie diela a akýchkoľvek úprav alebo dodatkov k tomuto dielu alebo odvodeným dielam, ktoré vlastník autorských práv alebo jednotlivec alebo právnická osoba oprávnená na odovzdanie v mene vlastníka autorských práv zámerne odovzdá poskytovateľovi licencie na zahrnutie do diela. Na účely tejto definície výraz „**odovzdanie**“ znamená akúkoľvek formu elektronickej, verbálnej alebo písomnej komunikácie odoslanú poskytovateľovi licencie alebo jeho zástupcom vrátane, nie však výlučne, komunikácie o elektronickej zoznamoch adries, systémoch kontroly zdrojového kódu a systémoch sledovania problémov, ktoré sú spravované poskytovateľom licencie alebo v jeho mene za účelom diskusie a zlepšovania diela avšak s výnimkou komunikácie, ktorá je nápadne označená alebo inak písomne označená vlastníkom autorských práv ako „**To to nie je príspevok**“. „**Prispievateľ**“ znamená poskytovateľa licencie a akúkoľvek fyzickú osobu alebo

právnickú osobu, v mene ktorej poskytovateľ licencie prijal príspevok a následne ho začlenil do diela.

2. Udelenie licencie na autorské práva.

V súlade so zmluvnými podmienkami tejto licencie vám každý prispievateľ týmto udeľuje trvalú, celosvetovú, nevýhradnú, bezplatnú a bez autorských poplatkov, neodvolateľnú autorskú licenciu na reprodukciu, prípravu odvodených diel, verejnú zobrazovanie, verejnú predvádzanie, sublicencovanie a distribuovanie diela a odvodených diel v zdrojovej forme alebo objektivej forme.

3. Udelenie patentovej licencie.

V súlade so zmluvnými podmienkami tejto licencie vám každý prispievateľ týmto udeľuje trvalú, celosvetovú, nevýhradnú, bezplatnú a bez autorských poplatkov, neodvolateľnú (okrem prípadov uvedených v tejto časti) patentovú licenciu na vytváranie, používanie, ponúkание na predaj, predaj, dovoz alebo iný prevod diela, ak sa takéto licencie vzťahuje len na tie patentové nároky, na ktoré daný prispievateľ poskytuje licenciu a ktoré sú bezpodmienečne obmedzené jeho príspevkom (príspevkami) samotným alebo kombináciou jeho príspevku (príspevkov) s dielom, do ktorého bol takýto príspevok (príspevky) odovzdaný. Ak zahájite patentový súdny spor proti ktorémukolvek subjektu (vrátane krížového nároku alebo protinároku v súdnom spore), v ktorom tvrdíte, že dielo alebo príspevok začlenený do diela predstavuje priame porušenie patentu alebo porušenie patentu spoluúčast'ou, potom budú všetky patentové licencie udelené vám na základe tejto licencie na toto dielo ukončené dňom zahájenia takéhoto súdneho sporu.

4. Redistribúcia.

Môžete reprodukovať a distribuovať kópie diela alebo z neho odvodených diel na akomkoľvek médiu s úpravami alebo bez nich a v zdrojovej forme alebo objektivej forme za predpokladu, že splníte nasledujúce podmienky:

- ostatným príjemcom diela alebo odvodených diel musíte poskytnúť kópiu tejto licencie a
- musíte zabezpečiť, aby všetky upravené súbory obsahovali výrazné upozornenia, že ste súbory zmenili; a – v zdrojovej forme akýchkoľvek odvodených diel, ktoré distribuujete, musíte ponechať všetky oznámenia o autorských právach, patentoch, ochranných známkach a upozornenia na autorstvo zo zdrojovej formy diela s výnimkou tých oznámení, ktoré sa netýkajú žiadnej časti odvodených diel, a
- ak dielo obsahuje textový súbor „OZNÁMENIE“ ako súčasť distribúcie, potom akékoľvek odvodené diela, ktoré distribuujete, musia obsahovať čitateľnú kópiu upozornení na autorstvo, ktoré sa nachádzajú v takomto súbore OZNÁMENIE, s výnimkou tých upozornení, ktoré sa netýkajú žiadnej časti odvodeného diela, aspoň na jednom z nasledujúcich miest: v textovom

súbore OZNÁMENIE distribuovanom ako súčasť odvodených diel; v zdrojovej forme alebo dokumentácii, ak sa poskytujú spolu s odvodenými dielami; alebo v rámci zobrazenia vygenerovaného odvodenými dielami, ak a kdekoľvek sa takéto oznámenia tretích strán bežne vyskytujú. Obsah súboru OZNÁMENIE slúži len na informačné účely a nemení licenciu. V rámci odvodených diel, ktoré distribuujete, môžete pridať svoje vlastné upozornenia na autorstvo spolu s textom OZNÁMENIA z diela alebo ako jeho dodatok za predpokladu, že takéto dodatočné upozornenia na autorstvo nemožno vykladať ako úpravu licencie. K svojim úpravám môžete pridať vlastné vyhlásenie o autorských právach a môžete poskytnúť dodatočné alebo odlišné licenčné podmienky na používanie, reprodukciu alebo distribúciu vašich úprav alebo pre akékoľvek takéto odvodené diela ako celok za predpokladu, že vaše používanie, reprodukcia a distribúcia diela inak vyhovuje podmienkam uvedeným v tejto licencii.

5. Odovzdanie príspevkov.

Ak výslovne neuviedete inak, každý príspevok, ktorý odovzdáte poskytovateľovi licencie na zahrnutie do diela, bude podliehať podmienkam tejto licencie bez akýchkoľvek ďalších podmienok. Bez ohľadu na vyššie uvedené nič v tomto dokumente nenahrádza ani neupravuje podmienky akejkoľvek samostatnej licenčnej zmluvy, ktorú ste mohli uzavrieť s poskytovateľom licencie v súvislosti s takýmito príspevkami.

6. Obchodné značky.

Táto licencie neudeľuje povolenie na používanie obchodných názvov, obchodných značiek, servisných značiek alebo názvov výrobkov poskytovateľa licencie s výnimkou prípadov, keď je to potrebné na primerané a obvyklé použitie pri opise pôvodu diela a reprodukci obsahu súboru OZNÁMENIE.

7. Zrieknutie sa záruky.

Pokiaľ to nevyžaduje príslušný zákon alebo nie je dohodnuté písomne, poskytovateľ licencie poskytuje dielo (a každý prispievateľ poskytuje svoje príspevky) „TAK, AKO JE“, BEZ ZÁRUK ALEBO PODMIENOK AKÉHOKOĽVEK DRUHU, či už výslovných alebo predpokladaných, vrátane, bez obmedzenia, akýchkoľvek záruk alebo podmienok VLASTNÍCTVA, NEPORUŠENIA, OBCHODOVATEĽNOSTI alebo VHODNOSTI NA KONKRÉTNY ÚČEL. Výhradne zodpovedáte za určenie vhodnosti použitia alebo redistribúcie diela a preberáte akékoľvek riziká spojené s vašim uplatňovaním povolení podľa tejto licencie. 8. Obmedzenie zodpovednosti. V žiadnom prípade a podľa žiadnej právnej teórie, či už v rámci mimosúdnej zodpovednosti (vrátane nedbanlivosti), zmluvy alebo inak, pokiaľ to nevyžaduje príslušný zákon (ako sú úmyselné činy a hrubá nedbalosť) alebo ak to nie je dohodnuté písomne, žiadny prispievateľ vám nebude zodpovedať za škody vrátane akýchkoľvek priamych,

nepriamych, špeciálnych, náhodných alebo následných škôd akéhokoľvek charakteru, ktoré vznikli v dôsledku tejto licencie alebo v dôsledku používania alebo nemožnosti použiť dielo (vrátane, ale nie výlučne, škôd za stratu dobrého mena, zastavenie práce, zlyhanie alebo nefunkčnosť počítača alebo akékoľvek iné komerčné škody alebo straty), a to aj vtedy, ak bol daný prispievateľ upozornený na možnosť takýchto škôd.

9. Prijatie záruky alebo dodatočnej zodpovednosti.

Pri redistribúcii diela alebo diel odvodených od neho sa môžete rozhodnúť ponúknuť a účtovať poplatok

za prijatie podpory, záruky, odškodnenia alebo iných záväzkov a/alebo práv v súlade s touto licenciou. Pri prijímaní takýchto záväzkov však môžete konať iba vo svojom mene a na svoju výhradnú zodpovednosť, nie v mene akéhokoľvek iného prispievateľa, a iba ak súhlasíte s tým, že odškodníte, budete brániť a chrániť každého prispievateľa za akúkoľvek zodpovednosť, ktorá vznikne, alebo nároky uplatnené voči takémuto prispievateľovi z dôvodu vášho prijatia akejkoľvek takejto záruky alebo dodatočnej zodpovednosti. KONIEC ZMLUVNÝCH PODMIENOK

Registrované ochranné známky

QR Code je registrovanou ochrannou známkou spoločnosti DENSO WAVE INCORPORATED v Japonsku.

VSEBINA

| | | | |
|-------------------------|-----|--|-----|
| Uvod..... | 499 | Transport skladiščenje in odstranitev..... | 512 |
| Varnost..... | 500 | Tehnični podatki..... | 514 |
| Montaža..... | 506 | Izjava o skladnosti..... | 516 |
| Delovanje..... | 507 | Licence..... | 517 |
| Vzdrževanje..... | 509 | Registrirane blagovne znamke..... | 519 |
| Odpravljanje težav..... | 510 | | |

Uvod

Opis izdelka

Naprava je rotacijska kosilnica. Pokošena trava se zbira v zbiralniku za travo. Če želite uporabiti zadenjski izmet trave, odstranite zbiralnik za travo. Če želite travo razrezati v gnojilo, namestite mulčer.

Namen uporabe

Izdelek uporabite za rezanje trave. Izdelka ne uporabljajte za druga opravila.

Kratka navodila

Za nasvet o uporabi izdelka skenirajte kodo QR.



Pregled izdelka

(Sl. 1)

1. Motorna zavorna ročica
2. Blokada vžiga
3. Ročica/ročaj
4. Zaklepni gumb ročaja
5. Gumbi ročaja
6. Zbiralnik za travo
7. Vložek za mulčenje
8. Zadnji pokrov
9. Lučka LED na izdelku
10. Opozorilna lučka (lučka LED za napako)
11. Varnostni ključ
12. Prostor za baterijo
13. Pokrov baterije
14. Simboli
15. Ročica za nastavev višine košnje
16. Baterija (dodatna oprema)
17. Baterijski polnilnik (dodatna oprema)
18. Rdeča lučka LED
19. Zelena lučka LED
20. Dvižne točke
21. Kavelj
22. Navodila za uporabo

Simboli na izdelku

- (Sl. 2) OPOZORILO
- (Sl. 3) Preberite navodila.
- (Sl. 4) OPOZORILO – Pazite na leteče predmete.
- (Sl. 5) Osebe naj se zadržujejo na varni razdalji.

- (Sl. 6) OPOZORILO – Z rokami in nogami ne segajte v območje rezila.
- (Sl. 7) OPOZORILO – Pred vzdrževanjem odklopite baterijo.
- (Sl. 8) Izdelek ali embalaža izdelka ne spadata med gospodinjske odpadke. Treba ga je reciklirati v zbirnem centru za reciklažo električne in elektronske opreme.
- (Sl. 9) Emisija hrupa v okolje je skladna z direktivami in uredbami EU, ZK ter zakonodajo Novega južnega Walesa, in sicer z direktivo "Zaščita okolja pri delu (nadzor hrupa) iz 2017". Zajamčena raven zvočne moči izdelka je navedena na in v *Tehnični podatki na strani 514* in na oznaki.
- (Sl. 10) Priključek je v skladu z veljavnimi direktivami ES.
- (Sl. 11) Izdelek je v skladu z veljavnimi direktivami ZK.
- (Sl. 12) Izdelek je zaščiten pred kapljicami.
- (Sl. 13) Za zaustavitev sprostite ročico zavore motorja.
- (Sl. 14) Za zagon pogona rezil potisnite ročico zavore motorja.
- (Sl. 15) Bralna koda.
- (Sl. 18) Za zaklepanje ali odklepanje obrnite.

Opomba: Ostali simboli in oznake na izdelku se nanašajo na zahteve za certifikacijo, ki veljajo za nekatere trge.

Simboli na bateriji in/ali polnilniku baterije

- (Sl. 19) Izdelek je treba reciklirati v zbirnem centru za reciklažo električne in elektronske opreme. (Velja samo za Evropo)
- (Sl. 20) Baterijo uporabljajte samo v izdelkih POWER FOR ALL sistemskih partnerjev.
- (Sl. 21) Baterijo zaščitite pred vročino, npr. pred izpostavljenostjo neprekinjeni močni sončni svetlobi, ognju, umazaniji, vodi in vlagi. Obstaja nevarnost eksplozije in kratkega stika.
- (Sl. 22) Baterijski polnilnik hranite in uporabljajte samo v zaprtih prostorih.
- (Sl. 16) Dvojna izolacija.

Nalepke na izdelku

- (Sl. 23) NEVARNOST – Ne približujte rok in nog.

Odgovornost proizvajalca

Kot je navedeno v zakonodaji, ki ureja odgovornost proizvajalca, ne prevzemamo nikakršne odgovornosti za poškodbe, ki bi jih naši izdelki povzročili v naslednjih primerih:

- Izdelek ni pravilno popravljen.
- Izdelek je popravljen z deli, ki jih ni izdelal ali odobril proizvajalec.
- Na izdelku je nameščena dodatna oprema, ki je ni izdelal ali odobril proizvajalec.
- Izdelek ni bil popravljen v pooblaščenem servisnem centru ali pri pooblaščenem organu.

Varnost

Varnostne definicije

Opozorila, svarila in opombe opozarjajo na posebej pomembne dele priročnika.



OPOZORILO: Se uporabi, če obstaja nevarnost telesne poškodbe ali smrti uporabnika ali opazovalcev ob neupoštevanju navodil v tem priročniku.



POZOR: Se uporabi, če obstaja nevarnost poškodbe izdelka, drugih materialov ali okolice ob neupoštevanju navodil v tem priročniku.

Opomba: Se uporabi za podajanje podrobnejših informacij, potrebnih v dani situaciji.

Splošna varnostna opozorila za izdelek



OPOZORILO: Preberite vsa varnostna opozorila, navodila, slike in specifikacije, dobavljene s tem izdelkom. Neupoštevanje vseh spodaj navedenih navodil lahko povzroči električni udar, požar in/ali težko telesno poškodbo.

Shranite vsa opozorila in navodila za bodočo uporabo.

Izraz »izdelek« v opozorilih se nanaša na (ožičen) izdelek na omrežni pogon ali (brezžičen) izdelek na akumulatorski pogon.

Varnost delovnega področja

- **Poskrbite za čistočo in dobro osvetlitev delovnega področja.** Prenatrpani ali mračni prostori kar kličejo nesrečo.
- **Izdelka ne uporabljajte v eksplozivnem okolju, na primer v bližini vnetljivih tekočin, plinov ali prahu.** Izdelek sproža iskre, ki lahko vžgejo prah ali hlape.
- **Ne dovolite, da bi bili med uporabo izdelka prisotni otroci ali opazovalci.** Odvratanje pozornosti lahko povzroči izgubo nadzora.

Električna varnost

- **Vtiči izdelka se morajo ujemati z vtičnico. Vtiča na noben način ne predelujte. Z ozemljenim izdelkom ne uporabljajte adapterjev za vtič.** Nепredelani vtiči in ustrezne vtičnice poskrbijo za zmanjšano nevarnost električnega udara.
- **Izogibajte se telesnega stika z ozemljenimi površinami, kot so cevi, radiatorji, štedilniki in hladilniki.** Če je vaše telo ozemljeno, se nevarnost električnega udara poveča.
- **Izdelka ne izpostavljajte dežju ali vlagi.** Vlaga, ki vdre v izdelek, povečuje nevarnost električnega udara.
- **Ne ravnajte grobo s kablom. Kabla nikoli ne uporabljajte za prenašanje, vlečenje ali odklapanje izdelka iz vtičnice. Kabel ne sme priti v stik z vročino toplote, oljem, ostrimi robovi ali premikajočimi deli.** Poškodovani ali zavozlani kabli povečujejo nevarnost električnega udara.
- **Če uporabljate izdelek zunaj, uporabljajte kabelski podaljšek, ki je primeren za zunanjo uporabo.** Za zmanjšanje nevarnosti električnega udara uporabljajte kabel, primeren za zunanjo uporabo.
- **Če se ne morete izogniti upravljanju izdelka v vlažnem okolju, uporabite zaščitno napravo na diferenčni tok (RCD).** Uporaba naprave RCD zmanjšuje nevarnost električnega udara.

Osebna zaščita

- **Med uporabo izdelka bodite pozorni, pazite na svoja dejanja in ravnajte razumno. Ne uporabljajte izdelka, ko ste utrujeni oziroma pod vplivom drogi, alkohola ali zdravil.** Trenutek nepozornosti med uporabo izdelka lahko povzroči hudo telesno poškodbo.

- **Uporabljajte osebno zaščitno opremo. Vedno uporabljajte zaščito za oči.** Zaščitna oprema, na primer prašna maska, čevlji z neдрсеčimi podplati, čelada ali zaščita za sluh, uporabljena v pravih okoliščinah, zmanjšuje nevarnost osebnih poškodb.
- **Izogibajte se neželenemu zagonu. Preden izdelek priključite na omrežje ali akumulator, ga vzamete v roke ali ga prenašate, se prepričajte, da je stikalo v položaju za izklop.** Prenašanje izdelka s prstom na stikalo ali priklp izdelka z vklopljenim stikalom lahko povzroči nesrečo.
- **Preden izdelek vklopite, odstranite ključ za nastavitve ali izvijač.** Če ostane ključ na vrtečem delu izdelka, lahko povzroči telesne poškodbe.
- **Ne hodite predaleč. Vedno zanesljivo stopajte in pazite na ravnotežje.** To vam omogoča boljši nadzor nad izdelkom ob nepričakovanih dogodkih.
- **Primerne se oblecite. Ne nosite ohlapnih oblačil in nakita. Z lasmi in oblačili ne segajte v območje gibljivih delov.** Ohlapne obleke, nakit ali dolgi lasje se lahko zapletejo v premične dele.
- **Če so naprave opremljene s priključkom za odvajanje in zbiranje prahu, mora biti ta zaseden in pravilno uporabljen.** Zbiranje prahu lahko zmanjša nevarnost zaradi vdihavanja tega.
- **Kljub morebitni pogosti uporabi izdelka bodite previdni in upoštevajte varnostna opozorila za izdelek.** Neprimerna uporaba lahko v trenutku povzroči hudo telesno poškodbo.

Uporaba in nega izdelka

- **Ne preobremenjujte izdelka. Pri delu uporabljajte ustrezen izdelek.** Pravi izdelek bo delo opravil bolje in varneje, če deluje pri hitrosti, za katero je bil zasnovan.
- **Izdelka ne uporabljajte, če stikalo za vklop/izklop ne deluje.** Izdelek, ki ga ni mogoče upravljati s stikalom, je nevaren in ga je treba popraviti.
- **Pred izvajanjem nastavitvev, menjavo priključkov ali shranjevanjem izdelka izvlecite vtič iz omrežne vtičnice in/ali odstranite baterijo iz izdelka, če je to mogoče.** Taki preventivni ukrepi pomagajo zmanjšati nevarnost neželenega vklopa izdelka.
- **Izdelek, ki ga ne potrebujete, shranite zunaj dosega otrok in ne dovolite, da bi ga uporabljale osebe, ki ne poznajo izdelka ali teh navodil.** Izdelek je v rokah nepoučenih uporabnikov nevaren.
- **Vzdržujte izdelek in dodatno opremo. Preverite poravnavo ali zatikanje gibljivih delov. Prepričajte se, da noben del ni poškodovan, in preverite vsa druga stanja, ki bi lahko vplivala na delovanje izdelka. Če je izdelek poškodovan, ga pred uporabo odnesite v popravilo.** Veliko nesreč povzročijo slabo vzdrževani izdelki.
- **Rezila naj bodo vedno ostrina in čista.** Pravilno vzdrževana rezila z ostrimi rezalnimi robovi se manj zatikajo in jih je lažje kontrolirati.
- **Izdelek, dodatno opremo, rezalne ploščice ipd. uporabljajte skladno s temi navodili ter upoštevajte**

delovne pogoje in delo, ki ga boste opravljali.

Uporaba izdelka za opravila, za katera ta izdelek ni namenjen, je lahko nevarna.

- **Ročaji in prijemalne površine naj bodo suhi, čisti in brez ostankov olja in masti.** Če so ročaji in prijemalne površine spolzki, ne omogočajo varne uporabe in upravljanja izdelka v nepričakovanih razmerah.

Uporaba in nega baterije

- **Baterijo polnite le s polnilnikom, ki ga določil proizvajalec.** Polnilnik, ki je primeren za eno vrsto baterij, lahko poveča nevarnost požara pri drugih baterijah.
- **Izdelke uporabljajte le s točno določenimi baterijami.** Če uporabite druge baterije, se lahko poveča nevarnost poškodb in požara.
- **Ko baterije ne uporabljate, ne sme priti v stik z drugimi kovinskimi predmeti, kot so sponke za papir, kovanci, ključji, žebli, vijaki ali drugi majhni kovinski predmeti, ki lahko vzpostavijo povezavo med dvema poloma.** Kratek stik med poloma baterije lahko povzroči opekline ali požar.
- **Ob nepravilni in grobi uporabi lahko iz baterije izteka tekočina; izogibajte se stiku s tekočino. Če se tekočine nehote dotaknete, sperite roke z vodo. Če pride tekočina v stik z očmi, poiščite zdravniško pomoč.** Tekočina, ki izteka iz akumulatorja, lahko povzroči draženje ali opekline.
- **Ne uporabljajte poškodovanega ali spremenjenega baterijskega paketa ali orodja.** Poškodovane ali predelane baterije se lahko obnašajo nepredvidljivo in lahko posledično zagorijo, eksplodirajo ali predstavljajo nevarnost poškodb.
- **Baterijskega paketa ali orodja ne izpostavljajte ognju ali previsokim temperaturam.** Izpostavljenost ognju ali temperaturam nad 130 °C (265 °F) lahko povzroči eksplozijo.
- **Upoštevajte vsa navodila za polnjenje in ne polnite baterijskega paketa ali orodja pri temperaturah zunaj temperaturnega območja, navedenega v navodilih.** Neustrezna zamenjava ali temperature zunaj dovoljenega območja lahko povzročijo poškodbe baterije in povečajo nevarnost požara.

Servis

- **Popravila izdelka sme izvajati usposobljen serviser, pri tem pa mora uporabljati originalne nadomestne dele.** S tem zagotovite ohranitev kakovosti in varnosti izdelka.
- **Ne servisirajte poškodovanih baterijskih enot.** Baterijo lahko servisirajo samo pooblaščen serviserji in proizvajalec.

Varnostna opozorila za kosilnico

- **Kosilnice ne uporabljajte v slabem vremenu, zlasti ko obstaja nevarnost bliskanja.** S tem zmanjšate nevarnost udara strele.

- **Prepričajte se, da na območju, na katerem nameravate uporabiti kosilnico, ni prostoživečih živali.** Kosilnica lahko med delovanjem poškoduje prostoživeče živali.
- **Skrbno pregledjte območje, na katerem boste uporabljali kosilnico, ter odstranite vse kamne, veje, kable, kosti in druge predmete.** Zaradi izmeta predmetov lahko pride do telesnih poškodb.
- **Pred uporabo kosilnice se vedno vizualno prepričajte, da rezilo in sklop rezila nista obrabljena ali poškodovana.** Obrabljeni ali poškodovani deli povečajo nevarnost telesnih poškodb.
- **Pogosto preverjajte, ali je zbiralnik za travo obrabljen ali dotrajan.** Obrabljen ali poškodovan zbiralnik za travo lahko poveča tveganje za telesne poškodbe.
- **Ščitniki naj ostanejo na mestu. Ščitniki morajo biti v delujočem stanju in pravilno nameščeni.** Razrahljan, poškodovan ali nedelujoč ščitnik lahko povzroči telesne poškodbe.
- **Dovodi hladilnega zraka morajo biti prosti.** Zamašeni dovodi za zrak in umazanija lahko povzročijo pregrevanje ali nevarnost požara.
- **Med uporabo kosilnice vedno nosite nedrsečo zaščitno obutev. Kosilnice ne uporabljajte bosih ali v sandalih.** S tem zmanjšate možnost poškodb stopal zaradi stika s premikajočim se rezilom.
- **Med uporabo kosilnice obvezno nosite dolge hlače.** Izpostavljena koža poveča verjetnost poškodb zaradi letočih predmetov.
- **Kosilnice ne uporabljajte na mokri travi. Hodite, nikoli ne tečite.** S tem zmanjšate tveganje zdrsa in padca, ki lahko povzroči telesne poškodbe.
- **Kosilnice ne uporabljajte na strminah z izjemno velikim naklonom.** S tem zmanjšate tveganje izgube nadzora, zdrsa in padca, ki lahko povzroči telesne poškodbe.
- **Pri delu na strminah se vedno prepričajte, da stojite na stabilni podlagi, vedno delajte v vodoravni smeri, nikoli navzgor ali navzdol, in bodite izjemno previdni pri spreminjanju smeri.** S tem zmanjšate tveganje izgube nadzora, zdrsa in padca, ki lahko povzroči telesne poškodbe.
- **Pri obračanju ali vleki kosilnice proti sebi bodite izjemno previdni. Pazite na okolico.** Tako zmanjšate tveganje spotikanja med uporabo kosilnice.
- **Rezila in drugih nevarnih gibljivih delov se ne dotikajte, kadar se premikajo.** Tako zmanjšate tveganje telesnih poškodb zaradi gibljivih delov.
- **Pri odstranjevanju zagozdenega materiala ali čistjenju kosilnice se prepričajte, da so vsa vklopna stikala izključena in da je napajalni kabel odklopljen.** Nepričakovano delovanje kosilnice lahko povzroči hude telesne poškodbe.

Naprava na diferenčni tok

- Uporabljajte napravo na diferenčni tok s sprožilnim tokom največ 30 mA.

Splošna varnostna navodila



OPOZORILO: Pred uporabo izdelka preberite navodila v povezavi z opozorili v nadaljevanju.

- Ta izdelek je lahko nevaren, če ga ne uporabljate pravilno ali če niste previdni. Če ne upoštevate varnostnih navodil, lahko nastopijo poškodbe ali celo smrt.
- Izdelek med delovanjem ustvarja elektromagnetno polje. To polje lahko v nekaterih pogojih moti delovanje aktivnih ali pasivnih medicinskih vsadkov. Uporabnikom medicinskih vsadkov svetujemo, da se pred uporabo tega izdelka posvetujejo z zdravnikom ali proizvajalcem medicinskega vsadka, s čimer zmanjšajo nevarnost resnih ali smrtnih poškodb.
- Vedno bodite previdni in ravnajte razumno. Če niste prepričani, kako upravljati ta izdelek v določeni situaciji, prenehajte z delom in se pogovorite s prodajalcem Husqvarna.
- Ne pozabite, da je uporabnik odgovoren za nesreče, ki jih povzroči drugim ljudem ali njihovi lastnini.
- Stroj redno čistite. Pozorno preberite znake in nalepke.
- Naprave ne smejo uporabljati otroci ali osebe, ki niso seznanjene z navodili. Lokalni predpisi lahko omejujejo starost uporabnika.
- Če izdelek uporabljajo osebe z zmanjšanimi fizičnimi ali intelektualnimi sposobnostmi, jih nenehno nadzorujte. Vedno mora biti prisotna odgovorna odrasla oseba.
- Izdelka ne uporabljajte, ko ste utrujeni, bolni, ali pod vplivom alkohola, drog ali zdravil. To negativno vpliva na vaš vid, pozornost, koordinacijo in presojo.
- Izdelka ne uporabljajte, če je poškodovan.
- Izdelka ne spreminjajte ali uporabljajte, če obstaja možnost, da so ga spremenile tretje osebe.

Varnost pri delu



OPOZORILO: Pred uporabo izdelka preberite navodila v povezavi z opozorili v nadaljevanju.

- Ta izdelek uporabljajte izključno za košnjo trave. Ne uporabljajte ga za druga opravila.
- Uporabljajte osebno zaščitno opremo. Glejte *Osebna zaščitna oprema na strani 503*.
- V zasilnem primeru morate znati motor hitro izklopiti.
- Izdelka ne uporabljajte dežju ali visoki vlagi. Nevarnost električnega udara se poveča, če v izdelek vdre voda.
- Izdelka ne uporabljajte, če rezilo in vsi pokrovi niso nameščeni pravilno. Nepravilno nameščeno rezilo lahko odleti in povzroči poškodbe.
- Pazite, da rezilo ne udarja ob predmete, npr. kamenje in korenine. To lahko poškoduje rezilo in

ukrivi motorno gred. Zvita os povzroča vibracije in zelo visoko tveganje, da rezilo odleti.

- Če rezilo trči ob predmet ali začutite vibracije, izdelek nemudoma izklopite. Izklopite motor, varnostni ključ obrnite v položaj 0 in odstranite baterijo. Počakajte, da se gibljivi deli ustavijo. Preglejte, ali je izdelek morda poškodovan. Trdno pritrdite razrahljane dele. Popravite poškodbe in zamenjajte poškodovane dele. Popravilo naj izvede pooblaščen serviser.
- Ročice zavore motorja nikoli ne pritrdite trajno na ročaj, ko motor deluje.
- Izdelek vklopite na stabilni in ravni podlagi. Prepričajte se, da rezilo ne trči ob tla ali druge predmete.
- Vedno bodite za izdelkom, ko ga upravljate.
- Ko upravljate izdelek, morajo biti vsa kolesa na tleh, prav tako pa imejte na ročaju obe roki. Z dlanmi in stopali se ne približujte vrtljivim rezilom.
- Ne nagibajte izdelka med njegovim delovanjem in zagonom motorja.
- Ko izdelek potegnete nazaj, bodite previdni.
- Izdelka ne dvigajte, ko motor deluje. Če morate izdelek dvigniti, najprej izklopite motor, nato varnostni ključ obrnite v položaj 0 in odstranite baterijo.
- Med uporabo izdelka ne hodite vzvratno.
- Če morate izdelek nagniti zaradi prenašanja ali preden se premikate po območjih brez trave, na primer po poteh iz gramoza, kamna ali asfalta, izklopite motor.
- Pri delujočem motorju ne tecite z izdelkom. Pri uporabi tega izdelka vedno hodite.
- Pred spreminjanjem višine reza ustavite motor. Ne izvajajte nastavitvev, ko motor deluje.
- Izdelek z delujočim motorjem morate imeti vedno na očeh. Izklopite motor in se prepričajte, da se rezalna oprema ne vrti.
- Tresljaji v izdelku med njegovim delovanjem se lahko razlikujejo od vrednosti tresljajev, navedenih v razdelku *Tehnični podatki na strani 514*. Razlika je posledica različnih načinov uporabe izdelka. Če izdelek uporabljate pogosto ali dlje časa, delajte redne premore, da preprečite telesne poškodbe zaradi tresljajev.

Varnostna navodila za uporabo

Osebna zaščitna oprema



OPOZORILO: Pred uporabo izdelka preberite navodila v povezavi z opozorili v nadaljevanju.

- Osebna zaščitna oprema ne more popolnoma preprečiti poškodb, vendar v primeru nesreče omili posledice. Prodajalec naj vam pomaga izbrati ustrezno opremo.

- Uporabite trpežno obutev, ki ne drsi. Ne bodite bosi ali nosite odprtih čevljev.
- Oblečene imejte trpežne, dolge hlače.
- Po potrebi uporabite zaščitne rokavice, npr. kadar pritrujete, pregledujete ali čistite rezalno opremo.
- Priporočamo uporabo zaščite za sluh.

Varnostne naprave na izdelku



OPOZORILO: Pred uporabo izdelka preberite navodila v povezavi z opozorili v nadaljevanju.

- Ne uporabljajte izdelka s poškodovanimi varnostnimi napravami.
- Ne odstranjujte in ne spreminjajte varnostnih naprav.
- Redno preverjajte varnostne naprave. Če so varnostne naprave poškodovane, se obrnite na pooblaščen servisno delavnico Husqvarna.

Preverjanje pokrova rezila

Pokrov rezila zmanjšuje moč vibracij v izdelku in zmanjšuje nevarnost poškodb, katerih vzrok bi lahko bilo rezilo.

- Preglejte pokrov rezila in se prepričajte, da nima poškodb, kot so razpoke.

Preverjanje varnostnega ključa

Varnostni ključ je pod pokrovom baterije. Varnostni ključ skrbi za povezavo baterije, ki napaja motor.

- Zaženite in izklopite motor, da preverite varnostni ključ.
- Če varnostni ključ deluje pravilno, se motor zažene, ko varnostni ključ obrnete v položaj 1. (Sl. 24)

Preverjanje zavorne ročice motorja

Zavorna ročica motorja izklopi motor. Ko spustite zavorno ročico motorja, se motor ustavi.

- Zaženite izdelek. Glejte *Zagon izdelka na strani 508*.
- Sprostite motorno zavorno ročico. (Sl. 25)
- Prepričajte se, da se je izdelek zaustavil. Če se motor ne izklopi v 3 sekundah, mora izdelek preveriti pooblaščen servisler Husqvarna, ki mora nato nastaviti motorno zavoro.

Preverjanje blokade vžiga

Preverite blokado vžiga in se prepričajte, da onemogoča zagon motorja.

1. Ročico motorne zavore potisnite v smer ročaja. Blokado vžiga ustavi premikanje.
2. Blokado vžiga potisnite ven. (Sl. 26)
3. Sprostite gumb blokade vžiga in se prepričajte, da se vrne v izhodišni položaj.

Varna uporaba baterije



OPOZORILO: Preberite vsa varnostna in splošna navodila.

Neupoštevanje varnostnih in splošnih navodil lahko povzroči električni udar, požar in/ali resno poškodbo. **Shranite vse potrebne varnostne informacije in splošna navodila za poznejšo uporabo.**

- **Ta varnostna navodila veljajo samo za akumulatorske baterije Li-ion 18 V, ki se uporabljajo v POWER FOR ALL sistemu.**
- **Akumulatorske baterije uporabljajte samo v izdelkih POWER FOR ALL sistemskih partnerjev.** Akumulatorske baterije 18 V, označene z znakom POWER FOR ALL, so v celoti združljive z naslednjimi izdelki:
 - vsi izdelki POWER FOR ALL baterijskega sistema 18 V,
 - vsi izdelki z napetostjo 18 V POWER FOR ALL sistemskih partnerjev.
- **Bodite pozorni na priporočene baterije v navodilih za uporabo vašega izdelka.** Samo na ta način lahko akumulatorsko baterijo in izdelek uporabljate brez nevarnosti, akumulatorske baterije pa so zaščitene pred nevarnimi preobremenitvami.
- **Baterije polnite samo s polnilniki, ki jih priporoča proizvajalec ali POWER FOR ALL sistemski partnerji.** Polnilnik, ki je primeren za eno vrsto baterij, lahko ob uporabi z drugimi baterijami povzroči nevarnost za nastanek požara.
- **Priložena baterija je delno napolnjena.** Polno zmogljivost baterije dosežete tako, da jo pred prvo uporabo električnega orodja popolnoma napolnite v polnilniku.
- **Baterijske enote naj bodo vedno dosegata otrok.**
- **Baterije ne odpirajte.** Obstaja nevarnost kratkega stika.
- **V primeru poškodbe in neustrezne uporabe baterije lahko pride do izpuščanja hlapirov. Baterija se lahko vžge ali eksplodira.** Prepričajte se, da je prostor dobro prezračen in poiščite zdravniško pomoč, če opazite kakršnekoli neželene učinke. Hlapi lahko dražijo dihala.
- **Če baterijo uporabljate nepravilno ali če je poškodovana, se lahko iz baterije izlije vnetljiva tekočina. Izogibajte se stiku s to tekočino. Če se tekočine nehote dotaknete, sperite mesto dotika z vodo. Če tekočina pride v stik z očmi, poiščite zdravniško pomoč.** Tekočina, ki izteka iz baterije, lahko povzroči draženje ali opekline.
- **Če je baterija poškodovana in se iz nje lahko izlije tekočina, pokrijte površine v bližini. Preverite prizadete dele.** Dele očistite ali jih po potrebi zamenjajte.
- **Pazite, da na baterijski enoti ne sprožite kratkega stika. Ko baterijske enote ne uporabljate, ne sme**

- priti v stik z drugimi kovinskimi predmeti, kot so sponke za papir, kovanci, ključi, žebji, vijaki ali drugi majhni kovinski predmeti, ki lahko vzpostavijo povezavo med dvema poloma. Kratak stik med poloma baterije lahko povzroči opekline ali požar.
- **Baterijo lahko poškodujejo koničasti predmeti, kot so žebji in izvijači, ali zunanja sila.** Lahko pride do notranjega kratkega stika, zaradi česar baterija zagori, oddaja dim, eksplodira ali se pregreje.
 - **Ne servisirajte poškodovanih baterijskih enot.** Baterijske pakete lahko servisirajo samo proizvajalec in pooblaščen servisni ponudnik.
 - **Zaščitite baterijo pred vročino, npr. pred neprekinjeno močno sončno svetlobo, ognjem, umazanijo, vodo in vlago.** Obstaja nevarnost eksplozije in kratkega stika.
 - **Baterijo uporabljajte v izdelku samo, ko je temperatura okolja med 0 °C – +40 °C.**
 - **Baterijo shranjujte samo v okolju, kjer je temperatura med -20 °C – +50 °C.** Baterije na primer ne puščajte poleti v avtomobilu. Pri temperaturah pod 0 °C lahko pri nekaterih napravah pride do izgube moči.
 - **Baterijo polnite samo v okolju s temperaturo med 0 in +35 °C.** Baterijo polnite s kablom USB le v okolju s temperaturo med +10 in +35 °C. Polnjenje izven tega temperaturnega razpona lahko poveča nevarnost poškodbe baterije in povzroči nevarnost požara.

Varna uporaba polnilnika baterije



OPOZORILO: Preberite vsa varnostna in splošna navodila.

Neupoštevanje varnostnih in splošnih navodil lahko povzroči električni udar, požar in/ali resno poškodbo. **Ta navodila hranite na varnem mestu.** Polnilnik uporabljajte le, če lahko v celoti ocenite delovanje vseh funkcij in jih izvajate brez omejitev ali če ste prejeli ustrežna navodila.

- **Ta polnilnik ni namenjen uporabi s strani otrok ali oseb z omejenimi telesnimi, zaznavalnimi ali duševnimi sposobnostmi ali oseb z nezadostnimi izkušnjami in znanjem.** Ta polnilnik lahko uporabljajo otroci, stari 8 let ali več, in osebe z omejenimi telesnimi, zaznavalnimi ali duševnimi sposobnostmi ali s pomanjkanjem izkušenj ali znanja, vendar le, če so pri tem pod nadzorom ali jih o varni uporabi ter morebitnih nevarnostih podučijo odgovorna oseba ter le če so seznanjene s povezanimi nevarnostmi. V nasprotnem primeru obstaja nevarnost napak in poškodb med delovanjem.
- **Med uporabo, čiščenjem in vzdrževanjem naj bodo otroci pod nadzorom.** Tako boste preprečili, da bi se otroci igrali s polnilnikom.
- **Polnite lahko le 18 V baterije sistema POWER FOR ALL s kapaciteto 1,5 Ah.** Napetost baterije se mora ujemanjati s polnilno napetostjo baterije polnilnika. Ne

polnite baterij za enkratno uporabo. V nasprotnem primeru lahko pride do požara ali eksplozije.

- **Polnilnik uporabljajte samo v zaprtih prostorih in ga ne izpostavljajte mokremu okolju.** Če v električno orodje prodre voda, se poveča nevarnost električnega udara.
- **Polnilnik redno čistite.** Umazanja predstavljajo nevarnost električnega udara.
- **Pred uporabo vedno preverite polnilnik, kabel in vtič.** Prenehajte uporabljati polnilnik, če opazite poškodbo. Polnilnika ne odpirajte sami. Popravilo lahko opravi le družba Husqvarna ali pooblaščen servisni center, ki uporablja samo originalne nadomestne dele. Poškodovani polnilniki, kabli in vtiči povečujejo nevarnost električnega udara.
- **Ne uporabljajte polnilnika na lahko vnetljivi površini (npr. papir, tekstil, ipd.) ali v vnetljivem okolju.** Obstaja nevarnost požara zaradi segrevanja polnilnika med delovanjem.
- **Prezračevalnih rež polnilnika ne pokrivajte.** V nasprotnem primeru se polnilnik lahko pregreje in ne deluje več brezhibno.
- **Baterijo polnite le s polnilnikom, ki ga določi proizvajalec.** Polnilnik, ki je primeren za eno vrsto baterij, lahko poveča nevarnost požara pri drugih baterijah.
- **V primeru poškodbe in neustrezne uporabe baterije lahko pride tudi do izpuščanja hlapov.** Prepričajte se, da je prostor dobro prezračevan in poiščite zdravniško pomoč, če opazite kakršnekoli neželene učinke. Hlapi lahko dražijo dihala.
- **Ob nepravilni in grobi uporabi lahko iz baterije izteka tekočina.** Izogibajte se stiku s to tekočino. Če se tekočine nehotе dotaknete, sperite mesto dotika z vodo. Če tekočina pride v stik z očmi, poiščite zdravniško pomoč. Tekočina, ki izteka iz baterije, lahko povzroči draženje ali opekline.
- **Izdelki na prodaj le v Združenem kraljestvu:** Vaš izdelek je opremljen z odobrenim električnim vtičem BS 1363/A z notranjo varovalko (v skladu s standardom ASTA ustreza BS 1362). Če vtič ne ustreza vašim vtičnicam, ga mora pooblaščen serviser odrezati in namestiti ustrezen vtič. Zamenjani vtiči bi moral imeti enako moč varovalke kot originalni vtiči. Odrezani vtiči morate zavreči, da se izognete morebitnemu električnemu udaru. Nikoli ga ne vstavljajte v omrežno vtičnico kje drugje.

Varnostna navodila za vzdrževanje



OPOZORILO: Pred uporabo izdelka preberite navodila v povezavi z opozorili v nadaljevanju.

- Za preprečevanje neželenega zagona med vzdrževanjem morate varnostni ključ obrniti v položaj 0 in odstraniti baterijo. Pred začetkom vzdrževalnih del počakajte najmanj 5 sekund.

- Vzdrževalna dela opravite tako, kot piše v teh navodilih za uporabo. Zahtevnejše posege in profesionalna popravila mora opraviti pooblaščen servisier. Za več informacij se obrnite na najbližjega servisnega zastopnika.
- Vzdrževalna dela opravljajte pravilno in tako podaljšajte življenjsko dobo izdelka ter zmanjšajte nevarnost nesreč.
- Zamenjajte poškodovane, obrabljene ali zlomljene dele. Vedno uporabljajte originalne nadomestne dele proizvajalca. Drugi nadomestni deli lahko poškodujejo izdelek in povečajo nevarnost nesreč.
- Da preprečite nastanek telesnih poškodb, ne odstranjujte in ne spreminjajte varnostnih naprav.
- Pri delu z rezalno opremo morate nositi močne zaščitne rokavice. Rezilo je izjemno ostro, zato lahko hitro pride do ureznin.

- Za najboljše in najvarnejše delovanje morajo biti rezalni robovi ostri in čisti.
- Izdelek naj redno preverja in po potrebi nastavlja ter popravlja pooblaščen servisna delavnica.
- Upoštevajte navodila za zamenjavo dodatne opreme. Uporabljajte samo dodatno opremo, ki jo odobri proizvajalec.
- Ko izdelka ne uporabljate, morate izdelek, baterijo in polnilnik baterije hraniti ločeno v suhem, zaprtem in zaklenjenem prostoru. Otroci in osebe, katerim uporaba ni dovoljena, ne smejo imeti dostopa do izdelka, baterije ali polnilnika baterije.

Montaža

Uvod



OPOZORILO: Preden sestavite izdelek, preberite poglavje o varnosti.



OPOZORILO: Neželen vklop med sestavljanjem preprečite tako, da ključ obrnete v položaj 0, odstranite baterijo in počakate vsaj 5 sekund.

3. Zbiralnik za travo pritrдите na zgornji rob ohišja.
4. Vstavite spodnji del zbiralnika za travo ob izpustni kanal za travo. (Sl. 28)



POZOR: Prepričajte se, da je zbiralnik za travo pravilno zatesnjen na ohišje izdelka.

Namestitev vložka za mulčenje

1. Privzdignite zadnji pokrov in odstranite zbiralnik za travo.
2. Vložek za mulčenje potisnite v izpustni kanal za travo baterij, da se zaskoči. (Sl. 29)

Namestitev kljuka na steno

- Kljuko namestite v zaprtem prostoru.
- Kljuka ne izpostavljajte sončni svetlobi in okolju s temperaturo od -10°C do $+70^{\circ}\text{C}$.
- Kljuka namestite na mavčno, leseno ali betonsko steno.



POZOR: Prepričajte se, da stena prenese obremenitev najmanj 30 kg.

- Izdelek namestite na steno s 3 vijaki (A). Po potrebi uporabite stensko vtičnico (B). (Sl. 30)



POZOR: Prepričajte se, da so vijaki primerni za vrsto stene.

- Za informacije o razpoložljivih dodatkih za shranjevanje izdelka se obrnite na pooblaščen servisno delavnico Husqvarna.

Nastavitev višine ročice

Izdelek ima prosti razpon nastavitve višine ročaja. Višino ročaja lahko nastavite na ustrezno višino med dvema nastavnima točkama.

1. Kosilnice nastavite v delovni položaj. Glejte *Nastavitev kosilnice v delovni položaj na strani 507*.
2. Zaklepne gumbе na ročaju obrnite v nasprotni smeri urinega kazalca. (Sl. 27)
3. Ročaj povlecite v ustrezen položaj.
4. Oba ročaja naj bosta poravnana.



POZOR: Če ročaja nista poravnana, se izdelek lahko poškoduje.

5. Zaklepne gumbе na ročaju obrnite v smeri urinega kazalca.
6. Popolnoma zategnite zaklepne gumbе.

Namestitev zbiralnika za travo.

1. Dvignite zadnji pokrov.
2. Odstranite vložek za mulčenje.

Delovanje

Uvod



OPOZORILO: Pred uporabo izdelka morate prebrati in razumeti poglavje o varnosti.

Husqvarna Connect

Husqvarna Connect je brezplačna aplikacija za vašo mobilno napravo. Aplikacija Husqvarna Connect omogoča razširitev funkcij vašega izdelka Husqvarna:

- Dodatne informacije o izdelku.
- Informacije o izdelku, delih in servisu ter pomoč.

Začetek uporabe aplikacije

1. V mobilno napravo si prenesite aplikacijo Husqvarna Connect.
2. Registrirajte se v aplikaciji Husqvarna Connect.
3. Za vzpostavitev povezave in registracijo izdelka sledite navodilom v aplikaciji Husqvarna Connect.

Opomba: Aplikacija Husqvarna Connect ni na voljo za prenos na vseh trgih. Če potrebujete več informacij, se obrnite na servisnega zastopnika.

Nastavitev kosilnice v delovni položaj

1. Gumbe obrnite v odklenjen položaj. (Sl. 31)
2. Ročaj zložite ročaj navzgor, dokler ne zaslišite klik. (Sl. 32)



POZOR: Prepričajte se, da kabli niso preveč napeti. Če so kabli preveč napeti, lahko pride do poškodb, ko ročaj preklopite v položaj za transport.



OPOZORILO: Ročaj mora biti popolnoma zložen in v zaklenjenem položaju.

3. Nastavitev višine ročaja. Glejte *Nastavitev višine ročice na strani 506*.

Nastavitev višine košnje

1. Povlecite ročico za nastavitev višine košnje nazaj, da povečate višino rezanja.
2. Potisnite ročico za nastavitev višine košnje naprej, da znižate višino rezanja. (Sl. 33)



POZOR: Ne nastavite višino rezanja prenizko. Rezila lahko trčijo ob tla, če površina travnika ni ravna.

Baterija



OPOZORILO: Pred uporabo baterije morate prebrati in razumeti poglavje o varnosti. Prebrati in razumeti morate tudi navodila za uporabo, ki so priložena bateriji in polnilniku.

Baterijo in polnilnik baterije shranjujte v prostoru s pravilno temperaturo.

| | Temperatura okolice |
|----------------------------|---------------------|
| Uporaba baterije v izdelku | 0 °C – +40 °C |
| Polnjenje baterije | 0 °C – +35 °C |

Polnjenje baterije

Baterijo pred prvo uporabo napolnite.

Opomba: Polnjenje je mogoče le, ko je temperatura baterije v dovoljenem temperaturnem območju za polnjenje (0–45 °C).

1. Napajalni kabel polnilnika priklpite v primerno ozemljeno omrežno vtičnico.



POZOR: Prepričajte se, da ima omrežna vtičnica ustrezno napetost in frekvenco.

2. Baterijo vstavite v polnilnik baterije. Baterija je priključena na polnilnik, ko utripajo zelene lučke LED. (Sl. 34)
3. Baterija je popolnoma napolnjena, ko zasveti zelena lučka LED na polnilniku baterije. Baterijo polnite največ 24 ur.
4. Polnilnik baterije odklopite iz omrežja.



POZOR: Nikoli ne vlecite za napajalni kabel.

5. Odstranite baterijo iz polnilnika.

Lučke LED za stanje baterije na polnilniku

Rdeča lučka LED (A) in zelena lučka LED (B) na polnilniku prikazujeta stanje baterije. Glejte *Odpravljanje težav s polnilnikom baterije na strani 510*.

(Sl. 35)

| Lučka LED | Stanje baterije |
|---------------------------------|--|
| Zelena lučka LED hitro utripa. | Baterija se polni. |
| Zelena lučka LED počasi utripa. | Baterija je 80 % napolnjena. |
| Zelena lučka LED sveti. | Baterija je popolnoma napolnjena. |
| Rdeča lučka LED sveti. | Glejte <i>Odpravljanje težav s polnilnikom baterije na strani 510.</i> |
| Rdeča lučka LED hitro utripa. | Glejte <i>Odpravljanje težav s polnilnikom baterije na strani 510.</i> |

Lučke LED za stanje baterije na izdelku

Ob namestitvi baterije na izdelek lučke LED na izdelku prikazujejo stanje baterije.

(Sl. 36)

| Lučka LED | Stanje baterije |
|--------------------------------------|---|
| Lučke LED 1, LED 2 in LED 3 svetijo. | V celoti napolnjeno. |
| Lučki LED 1 in LED 2 svetita. | Dovolj napolnjeno. |
| Lučka LED 1 sveti. | Energija baterije je prenizka. |
| Lučka LED 1 utripa. | Baterija je prazna. Indikator stanja baterije utripa. Napolnite baterijo. Glejte <i>Polnjenje baterije na strani 507.</i> |

Zagon izdelka

1. Odprite pokrov za baterijo.
2. Napolnjeno baterijo vstavite v držalo za baterije.
3. Varnostni ključ obrnite v položaj 1. (Sl. 37)
4. Ostanite za izdelkom.
5. Sprostite blokado vžiga. (Sl. 26)
6. Ročico motorne zavore potisnite v smer ročaja. (Sl. 38)

Funkcija visoke obremenitve

Ko izdelek kosi dolgo ali mokro travo, motor samodejno poviša število vrtljajev. Motor znova preklopi v normalni način, ko višja obremenitev ni več potrebavana.

Ugašanje motorja

Med delovanjem izdelka se lahko rezilo in motor začasno ustavita zaradi ovir, kot je zagozdena trava pod pokrovom rezila. Glejte *Čiščenje izdelka na strani 509.*



OPOZORILO: Preden preverite pokrov rezila, sprostite zavorno ročico motorja, obrnite varnostni ključ v položaj 0, odstranite baterijo in počakajte najmanj 5 sekund. Če se ovira odstrani in se izdelek nenamerno zažene, obstaja nevarnost telesnih poškodb.

Zaustavitev izdelka



OPOZORILO: Pred zupuščanjem izdelka morate varnostni ključ obrniti v položaj 0.

1. Za izklop motorja sprostite ročico motorne zavore. (Sl. 39)
2. Odprite pokrov baterije in varnostni ključ obrnite v položaj 0. (Sl. 40)
3. Za odstranitev baterije pritisnite gumb za sprostitev baterije, nato pa jo izvlecite. (Sl. 41)
4. Napolnite baterijo, če je izpraznjena. Za več informacij glejte razdelek *Polnjenje baterije na strani 507.*

Kako doseči dober rezultat

- Vedno uporabljajte ostra rezila. Če uporabljate topo rezilo, bo trava pokošena neenakomerno, ob zarezah pa lahko postane tudi rumena. Ostro rezilo prav tako porabi manj energije kot topo rezilo.
- Ne odrežite več kot tretjino dolžine travnih bilk. Najprej kosite z visoko nastavitvijo višine košnje. Preglejte rezultat in nastavite višino košnje na ustrezno višino. Če je trava zelo visoka, vozite počasi in po potrebi kosite dvakrat.
- Vsakič kosite v različnih smereh, da se na travi ne bi pojavile črte.
- Pokrov kosišča mora biti čist. Obloge iz trave in umazanje na notranji strani pokrova kosišča lahko zmanjša učinkovitost košnje. Glejte *Čiščenje izdelka na strani 509.*

Vzdrževanje

Uvod

Za več informacij glejte www.husqvarna.com.



OPOZORILO: Pred izvajanjem vzdrževalnih del morate prebrati in razumeti poglavje o varnosti.

Za servisiranje in popravila na izdelku posebno usposabljanje ni potrebno. Zagotavljamo, da vam bodo na voljo strokovna popravila in servisiranje. Če vaš prodajalec ni pooblaščen serviser, ga povprašajte, kje je naslednja najbližja pooblaščen servisna delavnica.

Urnik vzdrževanja

Izračunani intervali vzdrževanja veljajo za vsakodnevno uporabo izdelka. Intervali se spremenijo, če izdelka ne uporabljate vsakodnevno.

Za vzdrževalna dela, označena z *, glejte navodila v *Varnost na strani 500*.

| | Pri vsaki uporabi | Mesečno | Vsako sezono |
|--|-------------------|---------|--------------|
| Opravite splošen pregled. | X | | |
| Izdelek očistite. | X | | |
| Preverite blokado vžiga. * | X | | |
| Prepričajte se, da varnostne naprave izdelka niso poškodovane. * | X | | |
| Preverite rezalno opremo. | X | | |
| Preglejte pokrov rezila. * | X | | |
| Preverite ročico motorne zavore. * | X | | |
| Preverite, ali je baterija poškodovana. | X | | |
| Preverite napolnjenost baterije. | X | | |
| Prepričajte se, da gumba za sprostitvev na bateriji delujeta pravilno in omogočata pravičen zaklep baterije v izdelku. | X | | |
| Preverite, ali je polnilnik baterije poškodovan, in se prepričajte, da pravilno deluje. | | X | |
| Preverite povezave med baterijo in izdelkom. Preverite tudi povezave med baterijo in polnilnikom baterije. | | | X |

Izvajanje splošnih pregledov

- Prepričajte se, da so matice in vijaki na izdelku dobro priviti.
- Prepričajte se, da kabli na izdelku niso v položaju, v katerem bi se lahko poškodovali.

Čiščenje izdelka

- Plastične dele čistite s čisto in suho krpo.
- Izdelka ne čistite z vodo. Voda lahko vdre v baterijo ali motor in povzroči kratki stik ali poškoduje izdelek.
- Izdelka ne čistite z visokotlačnim čistilnikom.
- Vode ne zlivajte neposredno na motor.
- S krtačo odstranite listje, travo in umazanijo.

Čiščenje baterije in baterijskega polnilnika



OPOZORILO: Baterije ali polnilnika nikoli ne čistite z vodo.



OPOZORILO: Izdelka ne čistite s kemičnimi snovmi.

- Pred vstavljanjem baterije v polnilnik baterije se prepričajte, da sta baterija in polnilnik baterije čista in suha.
- Pola baterije očistite s stisnjanim zrakom ali za čiščenje uporabite mehko in suho krpo.

- Površine baterije in polnilnika očistite z mehko in suho krpo.

Kako pregledati rezalno opremo



OPOZORILO: Neželen vklop preprečite tako, da varnostni ključ obrnete v položaj 0, odstranite baterijo in počakate vsaj 5 sekund.



OPOZORILO: Pri vzdrževanju rezalne opreme uporabite zaščitne rokavice. Rezilo je izjemno ostro, zato lahko hitro pride do ureznin.

1. Preverite, ali je rezalna oprema poškodovana oziroma razpokana. Če je rezalna oprema poškodovana, jo zamenjajte.
2. Preverite, ali je rezilo poškodovano ali topo.

Opomba: Rezilo morate po brušenju postaviti v ravnovesje. Izdelek peljite na servisni center, da rezilo nabrusijo, zamenjajo in uravnovesijo. Če trčite ob oviro in se izdelek ustavi, zamenjajte poškodovano rezilo. Pooblaščen servisna delavnica naj oceni, ali lahko rezilo izostrijo ali pa ga je treba zamenjati.

Zamenjava rezil

Glejte *Tehnični podatki na strani 514* za pravilno vrsto rezila.



OPOZORILO: Preden zamenjate rezilo, ga zablokirajte z leseno klado, da preprečite poškodbe prstov. Rezilo se lahko premakne, ko je motor izklopljen, prsti pa se lahko ujamejo med rezilo in nepremičnimi deli.

1. Rezilo blokirajte z leseno klado. (Sl. 42)
2. Odstranite vijak rezila.
3. Odstranite rezilo.
4. Preverite, ali sta nosilec in vijak rezila poškodovana.
5. Preverite motorno gred in se prepričajte, da ni zvita.
6. Ko pritrdite novo rezilo, usmerite nagnjene strani rezila v smer pokrova rezila. (Sl. 43)
7. Prepričajte se, da je rezilo poravnano s središčem motorne gredi.
8. Rezilo blokirajte z leseno klado. Pritrdite podložko vzmeti in privijte vijak in podložko z zateznim momentom 23-28 Nm. (Sl. 44)
9. Ročno zavrtite rezilo in se prepričajte, da se prosto obrača.



OPOZORILO: Nosite trpežne rokavice. Rezilo je izjemno ostro, zato lahko hitro pride do ureznin.

10. Izdelek vklopote, da preizkusite rezilo. Če rezilo ni pritrjeno pravilno, bo izdelek vibriral, rezultat košnje pa ne bo zadovoljiv.

Odpravljanje težav

Odpravljanje težav s polnilnikom baterije

| Lučka LED na polnilniku baterije | Vzrok | Rešitev |
|---|--|--|
| Zelena lučka LED sveti in rdeča lučka LED utripa. | Baterija ni pravilno nameščena v polnilnik. | Odstranite baterijo iz polnilnika in jo ponovno vstavite. |
| | Priključki baterije so umazani. | Očistite priključke baterije. |
| | Polnilnik je prepoznal notranjo napako. | Preverite, ali so vse baterije popolnoma vstavljene. Odklopite električni kabel in ga znova vstavite. Če se napaka ponovi, naj polnilnik pregleda pooblaščen servisni center za izdelke Husqvarna. |
| | Baterija je okvarjena. | Zamenjajte baterijo. |
| Rdeča lučka LED sveti in zelena lučka LED je izklopljena. | Temperatura baterije je zunaj dovoljenega območja polnjenja. | Počakajte, da pade temperatura baterije na dovoljeno raven za polnjenje (0-45°C). |

| Lučka LED na polnilniku baterije | Vzrok | Rešitev |
|--|--|---|
| Zelena lučka LED in rdeča lučka LED sta izklopljeni. | Polnilnik baterije ni pravilno priključen v omrežno vtičnico. | Priključite baterijski polnilnik v omrežno vtičnico. |
| | Okvarjena omrežna vtičnica. | Polnilnik baterije priklopite na napetost in frekvenco, ki sta navedeni na tipski ploščici. |
| | Kabel polnilnika baterije je okvarjen. | Obrnite se na pooblaščenega servisnega zastopnika. |
| | Polnilnik baterije je okvarjen. | |
| Druge napake. | Če pride do drugih napak, se prepričajte, da je izdelek izklopljen, odstranite baterijo in se obrnite na pooblaščenega serviserja. | |

Odpravljanje težav pri kosilnici

Opozorilni indikator (lučka LED za napako) je na spodnji strani izdelka pod pokrovom baterije.

| Težava | Lučka LED za napako (število utripov) | Vzrok | Rešitev |
|--|---------------------------------------|---|--|
| Utripanje lučke LED za napako. Izdelek ne deluje pravilno. | 5 | Rezilo je blokirano. | Obrnite kontaktni ključ v položaj 0, da preprečite nenameren zagon. Odstranite baterijo in počakajte najmanj 5 sekund. Odstranite morebitne ovire in se prepričajte, da se rezilo lahko prosto vrti. Če napake ne morete odpraviti, se obrnite na pooblaščenega servisnega zastopnika. |
| | | Število vrtljajev motorja preveč upade in motor se izklopi. | Dvig višine košnje. Glejte, <i>Nastavitev višine košnje na strani 507</i> . |
| | 10 | Krmilnik motorja je prevroč. | Izklopite motor in počakajte, da se ohladi. |

| Težava | Lučka LED za napako (število utripov) | Vzrok | Rešitev |
|---|---|---|---|
| Utripanje lučke LED za napako. Izdelek se zaustavi. | 22 | Temperatura baterije je previsoka, ker je temperatura v delovnem okolju previsoka. | Pred ponovnim zagonom stroja odstranite baterijo iz stroja in počakajte, da se ohladi. Poskrbite, da je temperatura okolja ustrezna. Baterijo uporabljajte pri temperaturah med 0 °C in +40 °C. Če težave ne morete odpraviti, se obrnite na pooblaščenega servisnega zastopnika. |
| | | Temperatura baterije je previsoka, ker je motor preobremenjen | Dvig višine košnje. Glejte, <i>Nastavitev višine košnje na strani 507</i> . Če napake ne morete odpraviti, se obrnite na pooblaščenega servisnega zastopnika. |
| | 0 | Napaka priključka baterije. | Preverite priključek baterije. |
| | 3 | V motorju prihaja do preobremenjenosti. | Dvig višine košnje. Glejte, <i>Nastavitev višine košnje na strani 507</i> . |
| | 9 | Napaka baterije ali baterija ne oddaja signala. | Baterijo pravilno vstavite v izdelek in preverite priključek baterije. Če indikator LED za napako baterije utripa, glejte <i>Odpravljanje težav s polnilnikom baterije na strani 510</i> . Če napake ne morete odpraviti, se obrnite na pooblaščenega servisnega zastopnika. |
| | 8 | Napolnjenost baterije je nizka. | Napolnite baterijo. Glejte, <i>Polnjenje baterije na strani 507</i> . |
| | 12 | Napačen postopek zagona. Motorna zavorna ročica je aktivirana pred zagonom motorja. | Sprostite motorno zavorno ročico in počakajte približno 5 sekund. Motorno zavorno ročico znova potisnite navzdol, da zaženete izdelek. |
| Druge napake. | Če pride do drugih napak, obrnite ključ v položaj 0, odstranite baterijo in se obrnite na pooblaščenega serviserja. | | |

Transport skladiščenje in odstranitev

Uvod



OPOZORILO: Neželen vklop med prevozom in skladiščenjem preprečite tako, da ključ obrnete v položaj 0, odstranite baterijo in počakate vsaj 5 sekund.

Nastavitev izdelka v transportni položaj

1. Odstranite zbiralnik za travo in se prepričajte, da je zbiralnik za travo prazen.
2. Zaklepne gumbne na ročaju postavite v odklenjen položaj tako, da jih obrnete v nasprotni smeri urinega kazalca. (Sl. 45)
3. Ročaj potisnite v smeri zadnjega pokrova.

4. Zaklepne gumbne na ročaju postavite v zaklenjen položaj tako, da jih obrnete v smeri urinega kazalca.
5. Gumbne obrnite v odklenjen položaj. (Sl. 46)
6. Ročaj zložite ročaj navzdol, dokler ne zaslišite klik. (Sl. 47)

Glejte *Nastavitev izdelka v položaj za shranjevanje na strani 513* da shranite izdelek.

Prevoz

- Za vstavljene litij-ionske baterijske enote veljajo zahteve zakonodaje o nevarnem blagu.
- Pri transportu v komercialne namene morate upoštevati posebne zahteve, navedene na pakiranju in nalepkah.

- Pri pripravi izdelka za transport morate upoštevati uredbe za ravnanje z nevarnimi materiali. Veljajo lokalni predpisi.
- Baterijo pri prevozu vedno odstranite.
- Na priključke baterije namestite izolacijski trak in se prepričajte, da se baterija med transportom ne more premikati.
- Med izdelek pritrdite.

Skladiščenje

- Pustite, da se izdelek ohladi, preden ga shranite.
- Baterijo pri skladiščenju vedno odstranite.
- Za preprečevanje nesreč baterija med skladiščenjem ne sme biti priklopljena.
- Polnilnik baterije vedno hranite v zaprtem in suhem prostoru.
- Baterijo in polnilnik baterije hranite v zaprtem prostoru, kjer ni vlage ali nevarnosti zamrzovanja.
- Med shranjevanjem baterijo odstranite iz polnilnika.
- Baterijske ne shranjujte na mestu, kjer je lahko prisotna statična elektrika. Baterije ne shranjujte v kovinski škatli.
- Izdelek shranjujte v prostoru s temperaturo med – 20 °C in +50 °C.
- Baterijo shranjujte v prostoru s temperaturo med –20 °C in +50 °C, ki je zaščiten pred neposredno sončno svetlobo.
- Polnilnik baterije shranite na suhem mestu, kjer ni vlage in ne zmrzuje.
- Pred dolgotrajnejšim skladiščenjem mora biti baterija čista in napolnjena.
- Izdelek, baterijo in polnilnik hranite v zaklenjenem prostoru, do katerega otroci in nepooblaščen osebe nimajo dostopa.
- Očistite izdelek in se prepričajte, da je zbiralnik za travo prazen.
- Vzdrževalna dela opravite tako, kot je navedeno v teh navodilih za uporabo. Glejte, *Vzdrževanje na strani 509*.
- Če nameravate izdelek shraniti za dalj časa, najprej opravite popoln servis.

Nastavitev izdelka v položaj za shranjevanje



OPOZORILO: Neželen vklop med prevozom in skladiščenjem preprečite tako, da ključ obrnete v položaj 0, odstranite baterijo in počakate vsaj 5 sekund.

1. Odstranite baterijo.
2. Nastavitev izdelka v transportni položaj Glejte *Nastavitev izdelka v transportni položaj na strani 512*.
3. Izdelek premaknite na mesto za shranjevanje.

Vodoravno shranjevanje izdelka na tleh

1. Izdelek namestite v položaj za shranjevanje. Glejte *Nastavitev izdelka v položaj za shranjevanje na strani 513*.
2. Namestite zbiralnik za travo. Glejte *Namestitev zbiralnika za travo na strani 513*.
3. Izdelek shranjujte vodoravno na tleh. (Sl. 48)

Navpično shranjevanje izdelka na tleh

1. Izdelek namestite v položaj za shranjevanje. Glejte *Nastavitev izdelka v položaj za shranjevanje na strani 513*.
2. Za dvizne točke na ročaju dvignite izdelek in ga navpično položite na ravno površino. (Sl. 49)



OPOZORILO: Izdelka ne dvigujte za pokrov rezila. Rezilo je izjemno ostro, zato lahko hitro pride do uresnin.

3. Namestite zbiralnik za travo. Glejte *Namestitev zbiralnika za travo na strani 513*.
4. Prepričajte se, da je izdelek stabilen in da se obe podporni nogi dotikata tal.
5. Izdelek shranjujte navpično na tleh. (Sl. 50)

Shranjevanje izdelka na priložen kavelj



OPOZORILO: Izdelek obesite na steno samo s priloženim kavljem.

1. Namestite priložen kavelj. Glejte, *Namestitev kljuge na steno na strani 506*.
2. Izdelek namestite v položaj za shranjevanje. Glejte, *Nastavitev izdelka v položaj za shranjevanje na strani 513*.
3. Za dvizne točke na ročaju dvignite izdelek. (Sl. 49)



OPOZORILO: Izdelka ne dvigujte za pokrov rezila. Rezilo je izjemno ostro, zato lahko hitro pride do uresnin.

4. Izdelek obesite navpično na priložen kavelj. Glejte, *Namestitev kljuge na steno na strani 506*. (Sl. 51)
5. Prepričajte se, da izdelek pravilno visi in je stabilen na obeh palicah kavlja.
6. Namestite zbiralnik za travo. Glejte, *Namestitev zbiralnika za travo na strani 513*.

Namestitev zbiralnika za travo

1. Zbiralnik za travo pritrdite na obroček na sprednji del izdelka. (Sl. 52)
2. Spodnji del zbiralnika za travo potisnite ob dvizno točko, dokler zaslišite klik. (Sl. 53)

Odlaganje

Simboli na izdelku ali njegovi embalaži opozarjajo, da izdelka ne smete obravnavati kot gospodinjskega odpadka. Odnesti ga je treba v ustrezno zbirališče, kjer bodo poskrbeli za recikliranje električnih in elektronskih naprav.

Z zagotavljanjem pravilne obravnave izdelka boste pomagali preprečiti njegov morebiten škodljiv učinek na okolje in ljudi, do katerega bi lahko prišlo, kot posledica nepravilnega upravljanja z odpadki. Podrobnejše informacije o recikliranju tega izdelka lahko

dobite v svoji občini, v komunalnem podjetju ali v trgovini, kjer ste ga kupili.

(Sl. 54)

Samo v državah EU: V skladu z Direktivo 2006/66/ES je treba pokvarjene ali izrabljene baterije/pakete zbirati ločeno in jih je treba zavreči na okolju prijazen način.

Samo Združeno kraljestvo: V skladu z uredbo o odpadnih baterijah in akumulatorjih 2009 (SI 2009/890) (dopolnjeno) je treba neuporabne baterije/pakete zbirati ločeno in jih zavreči na okolju prijazen način.

Tehnični podatki

Tehnični podatki

| | Aspire LC34-P4A |
|--|-----------------------------------|
| Motor rezalne enote | |
| Tip motorja | BLDC (brezkrtačni enosmerni) 18 V |
| Št. vrt. motorja – nazivno, vrt/min | 3000 |
| Št. vrt. motorja – visoka obremenitev, vrt/min | 3500 |
| Najvišja izhodna moč motorja v kW | 0,7 |
| Nazivna izhodna moč motorja v kW | 0,5 |
| Pogonski motor | |
| Nazivna izhodna moč motorja v kW | Ni navedeno |
| Hitrost samohodnega pogona, km/h | Ni navedeno |
| Stopnje hitrosti | Ni navedeno |
| Teža | |
| Teža brez vreče (brez baterije), kg | 11,5 |
| Teža z vrečo (vklj. z 1x P4A 18-B72), kg | 13,5 |
| Baterija | |
| Vrsta baterije | Litij-ionska |
| Avtonomija baterije | |
| Avtonomija baterije, najkrajša, ⁸⁹ | 60 |
| Emisije hrupa ⁹⁰ | |
| Raven zvočne moči, izmerjena v dB (A) | 86 |
| Raven zvočne moči, zajamčena L _{WA} v dB(A) | 87 |
| Nivoji hrupa ⁹¹ | |
| Nivo zvočnega tlaka pri ušesu operaterja, dB(A) | 74 |

⁸⁹ (prosto delovanje) z aktiviranim standardnim načinom, z eno baterijo Husqvarna moči 4,0 Ah (P4A 18-B72).

⁹⁰ Emisije hrupa v okolje, merjene kot moč zvoka (L_{WA}), v skladu z direktivo ES 2000/14/ES.

⁹¹ Dejavnik negotovosti (K) sporočenih podatkov za raven zvočnega tlaka je 1,5 dB(A).

| | |
|-------------------------------------|------------------------|
| | Aspire LC34-P4A |
| Ravni vibracij ⁹² | |
| Ročaj, m/s ² | 0,5 |
| Rezalna oprema | |
| Višina reza v mm | 30–65 |
| Širina reza v cm | 34 |
| Standardno rezilo | Combi 5375561-10 |
| Dodatno rezilo | Ni navedeno |
| Kapaciteta zbiralnika za travo, l | 30 |

Homologirane baterije

Ta izdelek lahko uporabljate z vsemi baterijami **POWER FOR ALL**. Za najboljše delovanje priporočamo uporabo akumulatorjev z najmanj 4,0 Ah.

| Baterija | P4A 18-B45 | P4A 18-B72 |
|-------------------------------|--------------|--------------|
| Vrsta | Litij-ionska | Litij-ionska |
| Zmogljivost akumulatorja v Ah | 2,5 | 4,0 |
| Nazivna napetost, V | 18 | 18 |
| Teža, kg | 0,35 | 0,65 |
| Število celic (Litij-ionskih) | 5 | 10 |

Odobreni polnilniki baterije

| Polnilnik baterije | P4A 18-C70 |
|--------------------|------------|
| Vhodna napetost, V | 220–240 |
| Frekvenca, Hz | 50–60 |
| Moč, W | 70 |

⁹² Dejavnik negotovosti (K) sporočenih podatkov za raven tresljajev je 1,5 m/s². Navedena skupna vrednost tresljajev je bila izmerjena v skladu s prilogo B standarda EN 62841-4-3 ter se lahko uporablja za primerjavo dveh strojev in za predhodno oceno izpostavljenosti.

Izjava o skladnosti

Izjava EU o skladnosti

Mi, **Husqvarna AB**, SE--561 82 Huskvarna, Švedska,
tel.: +46-36-146500, izjavljamo na lastno odgovornost,
da je izdelek:

| | |
|-----------------------|---|
| Opis | Vrtna kosilnica |
| Znamka | Husqvarna |
| Vrsta/model | Aspire LC34-P4A |
| Identifikacija | Serijske številke od letnika 2022 dalje |

v celoti skladen z naslednjimi direktivami in uredbami
EU:

| Uredba | Opis |
|---------------|--|
| 2006/42/ES | "o strojih" |
| 2014/30/EU | "o elektromagnetni združljivosti" |
| 2000/14/EC | "o emisijah hrupa v okolico" |
| 2011/65/EU | "o omejevanju uporabe nekaterih nevarnih snovi v električni in elektronski opremi" |

in so pri tem v veljavi naslednji standardi in/ali
tehnične specifikacije: EN 62841-1:2015/AC:2015, EN
IEC 62841-4-3:2021/A11:2021, EN ISO 12100:2010,
EN 55014-1:2021, EN 55014-2:2021, EN IEC
61000-6-2:2019, EN IEC 61000-6-3:2021, EN IEC
63000:2018

Priglašeni organ: 0404, RISE SMP Svensk
Maskinprovning AB, Box 4053, SE-904 03 Umeå,
Sweden, je potrdil skladnost z direktivo Sveta
2000/14/ES, postopki ugotavljanja skladnosti: Priloga VI.

Za informacije v zvezi z emisijami hrupa glejte poglavje
Tehnični podatki na strani 514.

Huskvarna, 2022-10-24



Claes Losdal, Vodja oddelka za razvoj vrtno opreme,
Husqvarna AB

Odgovorni za tehnično dokumentacijo



Avtorske pravice © 2012–2020 STMicroelectronics

Garancija ne krije okvar, ki so posledica normalne obrabe, malomarnosti, nepravilne uporabe, nepooblaščenih popravil ali priklopa naprave na nepravilno napetost.

Vse pravice pridržane.

Vnovična distribucija in uporaba v izvornih in dvojiških oblikah s spremembami ali brez je dovoljena pod naslednjimi pogoji:

- Pri vnovični distribuciji izvorne kode morajo biti ohranjeni zgornje obvestilo o avtorskih pravicah, ta seznam pogojev in spodnja izjava.
- Vnovične distribucije v dvojiški obliki morajo v dokumentaciji in/ali drugih priloženih gradivih vsebovati zgornje obvestilo o avtorskih pravicah, ta seznam pogojev in spodnjo izjavo.
- Tako ime STMicroelectronics kot imena drugih sodelujočih oseb ne smejo biti uporabljena v smislu izražanja podpore ali promocije izdelkov, izpeljanih iz te programske opreme, razen s predhodnim pisnim soglasjem.

TO PROGRAMSKO OPREMO IMETNIKI AVTORSKIH PRAVIC IN DRUGE SODELUJOČE OSEBE PONUJAJO "TAKŠNO, KOT JE", PRI ČEMER SO IZKLUČENA VSA IZREČNA ALI IMPLICITNA JAMSTVA, VKLJUČNO Z, A NE OMEJENO NA IMPLICIRANA JAMSTVA TER POGOJE O PRIMERNOSTI ZA PRODAJO. IMETNIK AVTORSKIH PRAVIC IN DRUGE SODELUJOČE OSEBE V NOBENEM PRIMERU NISO ODGOVORNE ZA KAKRŠNO KOLI NEPOSREDNO, POSREDNO, NAKLJUČNO, POSEBNO ALI POSREDNO ŠKODO TER EKSEMPLARIČNO ODŠKODNINO (VKLJUČNO Z, A NE OMEJENO NA DOBAVO NADOMESTNIH IZDELKOV ALI STORITEV, IZGUBO MOŽNOSTI UPORABE, PODATKE, DOBIČEK IN PREKINITEV POSLOVANJA), NE GLEDE NA TO, KAKO JE NASTALA IN NA PODLAGI KATEREGA TEMELJA ZA ODGOVORNOST SE UVELJAVLJA, BODISI POGODBENEGA, ODŠKODNINSKEGA ALI NA PODLAGI ODGOVORNOSTI (VKLJUČNO Z MALOMARNOSTJO ALI DRUGAČE), KI IZHAJA IZ KAKRŠNE KOLI UPORABE TE PROGRAMSKE OPREME, TUDI V PRIMERU OBVESTILA, DA OBSTAJA MOŽNOST TAKŠNE ŠKODE.

Licenca Apache 2.0

Avtorske pravice © 2009–2019 Arm Limited. Vse pravice pridržane.

Različica 2.0, januar 2004 <http://www.apache.org/licenses/>

DOLOČILA IN POGOJI ZA UPORABO, VNOVIČNO DISTRIBUCIJO IN DISTRIBUCIJO

1. Opredelilne pojmov

"Licenca" pomeni določila in pogoje za uporabo, vnovično distribucijo in distribucijo, kot je opredeljeno v poglavjih 1–9 tega dokumenta. "Dajalec licence" pomeni lastnika avtorskih pravic ali s strani lastnika avtorskih pravic pooblaščen subjekt, ki podeljuje Licenco. "Pravni subjekt" pomeni skupnost delujočega subjekta in vseh drugih subjektov, ki nadzorujejo ali so pod nadzorom tega subjekta ali so pod skupnim nadzorom s tem subjektom. "Nadzor" za namen opredelilne teh pojmov pomeni (i) moč, neposredno ali posredno za usmerjanje ali upravljanje takšnega subjekta, bodisi s pogodbo ali drugače ali (ii) lastništvo petdesetih odstotkov (50 %) ali več delnic ali (iii) dejansko lastništvo takšnega subjekta. "Vi" (ali "Vas") pomeni vas kot posameznika ali pravni subjekt, ki izvaja dovoljenja, podeljena s to Licenco. "Izvorna" oblika pomeni prednostno obliko za izvajanje sprememb, vključno z, a ne omejeno na izvorno kodo programske opreme, izvorno dokumentacijo in konfiguracijskimi datotekami. "Objektna" oblika pomeni vsako obliko, ki je rezultat mehanske pretvorbe ali prevoda Izvorne oblike, vključno z, a ne omejeno na prevedeno objektno kodo, generirano dokumentacijo in pretvorbe v druge vrste predstavnosti. "Delo" pomeni delo avtorstva, bodisi v Izvorni bodisi v Objektni obliki, dano na voljo pod Licenco, kot označuje obvestilo o avtorskih pravicah, ki je vključeno ali je priloga k delu (primer je naveden v prilogi spodaj). "Izvedena dela" pomenijo vsako delo, bodisi v Izvorni bodisi v Objektni obliki, ki temeljijo na (izhajajo iz) Dela in za katera uredniške revizije, komentarji, dodelave ali druge spremembe kot celota predstavljajo izvorno delo avtorstva. Za namene te Licence, Izvedena dela ne vključujejo del, ki jih je še naprej mogoče ločiti od ali se zgolj povezujejo (ali so povezana z imenom) z vmesniki Dela in na njem temelječih Izvedenih del. "Prispevek" pomeni vsako delo avtorstva, vključno z izvorno različico Dela in morebitnimi spremembami ali dodatki k temu Delu ali na njem temelječim Izvedenim delom, ki je s strani lastnika avtorskih pravic ali z njegove strani pooblaščen osebe ali pravnega subjekta posredovano z namenom, da ga v njegovem imenu vključi v Delo. Za namen te opredelilne "posredovano" pomeni vsakršno obliko elektronske, ustne ali pisne komunikacije, poslana Dajalcu licence ali njegovim predstavnikom, vključno z, a ne omejeno na komunikacijo prek elektronskih dopisnih seznamov, sistemov za nadzor izvorne kode ter sistemov za sledenje težavam, ki jih upravlja Dajalec licence ali druga oseba v njegovem imenu za namene razprave in izboljšav Dela, pri čemer je izključena komunikacija, ki je vidno označena ali drugače s strani lastnika avtorskih pravic pisno opredeljena kot "Ni prispevek." "Sodelujoča oseba" pomeni Dajalca licence in vsakega posameznika ali pravni subjekt, v imenu kogar je Dajalec licence prejel Prispevek in ga posledično vključil v Delo.

2. Podelilne licence za uporabo avtorskega dela

Na podlagi določil in pogojev te Licence vam vsaka Sodelujoča oseba podeljuje trajno, po vsem svetu veljavno, neizključno, brezplačno, nepreklicno (razen kot je navedeno v tem poglavju) patentno licenco, brez plačila licenčnine, za neposredno izdelavo, izdelavo, uporabo, ponudbo za prodajo, prodajo, uvoz in druge načine prenosa dela, kjer taka licenca velja samo za tiste patentne zahtevke, ki jih lahko licencira tak Sodelavec in ki so nujno kršene z njihovim Prispevkom samim ali s kombinacijo njihovega prispevka z Delom, h kateremu so bili predloženi takšni Prispevki. Če sprožite patentni spor proti kateremu koli subjektu (vključno z navzkrižnim zahtevkom ali nasprotnim zahtevkom v tožbi), v katerem navajate, da Delo ali Prispevek, vključen v Delo, predstavlja neposredno ali prispevajočo kršitev patenta, bodo vse patentne licence, ki so vam podeljene v skladu s to Licenco, za to Delo prenehale veljati z dnem vložitve take tožbe.

3. Podelitev patentne licence

V skladu z določili in pogoji te Licence vam vsak Sodelavec podeljuje trajno, po vsem svetu veljavno, neizključno, brezplačno, nepreklicno (razen kot je navedeno v tem poglavju) patentno licenco, brez plačila licenčnine, za neposredno izdelavo, izdelavo, uporabo, ponudbo za prodajo, prodajo, uvoz in druge načine prenosa dela, kjer taka licenca velja samo za tiste patentne zahtevke, ki jih lahko licencira tak Sodelavec in ki so nujno kršene z njihovim Prispevkom samim ali s kombinacijo njihovega prispevka z Delom, h kateremu so bili predloženi takšni Prispevki. Če sprožite patentni spor proti kateremu koli subjektu (vključno z navzkrižnim zahtevkom ali nasprotnim zahtevkom v tožbi), v katerem navajate, da Delo ali Prispevek, vključen v Delo, predstavlja neposredno ali prispevajočo kršitev patenta, bodo vse patentne licence, ki so vam podeljene v skladu s to Licenco, za to Delo prenehale veljati z dnem vložitve take tožbe.

4. Vnovična distribucija

Dovoljena vam je vnovična distribucija in distribucija kopij Dela ali iz njega Izvedenih del, v katerem koli mediju, z ali brez sprememb, v Izvorni ali Objektni obliki, če izpolnjujete naslednje pogoje:

- vsem ostalim prejemnikom Dela ali Izvedenega dela morate izročiti kopijo te licence; in
- zagotoviti morate, da imajo vse spremenjene datoteke vidna obvestila, ki navajajo, da ste te datoteke spremenili vi; in v izvorni obliki katerega koli Izvedenega dela, ki ga distribuirate, morate ohraniti vsa obvestila o avtorskih pravicah, patentih in blagovnih znamkah ter obvestila o pripisovanju, razen tistih obvestil, ki se ne nanašajo na noben del Izvedenega dela; in
- če Delo kot del distribucije vsebuje besedilno datoteko **"OBVESTILO"**, morajo vsa Izvedena dela, ki jih distribuirate, vsebovati berljivo kopijo obvestil, o pripisovanju, vsebovanih v takšni datoteki z OBVESTILOM, razen tistih obvestil, ki se ne nanašajo na noben del Izvedenega dela, in sicer na vsaj enem od naslednjih mest: v besedilni datoteki OBVESTILO, distribuirani kot del Izvedenih del, v Izvorni obliki ali dokumentaciji, če je priložena Izvedenim delom ali v prikazu, ki ga generirajo Izvedena dela, če in kjerkoli se takšna obvestila tretjih oseb običajno pojavijo. Vsebine datoteke OBVESTILO je informativne narave in ne spreminja Licence. Svoja obvestila o pripisovanju lahko dodate znotraj Izvedenih del, ki jih distribuirate, poleg ali kot dodatek k besedilu OBVESTILA iz Dela, pod pogojem, da takih dodatnih obvestil o pripisovanju ni mogoče obravnavati kot spreminjanje Licence.

Svojim spremembam lahko dodate lastno izjavo o avtorskih pravicah in zagotovite dodatne ali drugačne licenčne pogoje in pogoje za uporabo, reprodukcijo ali distribucijo vaših sprememb ali katerih koli Izvedenih del kot celote, pod pogojem, da vaša uporaba, reprodukcija in distribucija Dela izpolnjuje pogoje, navedene v tej Licenci.

5. Posredovanje prispevkov

Razen če izrecno ne navedete drugače, bo vsak Prispevek, ki ste ga načrtno predložili Dajalcu licence za namenom vključitve v Delo, podvržen določilom in pogojem te Licence brez kakršnih koli dodatnih določil in pogojev. Ne glede na zgoraj navedeno, nič v tej Licenci ne nadomešča ali spreminja pogojev katere koli ločene licenčne pogodbe, ki ste jo sklenili z Dajalcem licence glede takšnih Prispevkov.

6. Blagovne znamke

Ta Licenca ne podeljuje dovoljenja za uporabo blagovnih znamk in imen, storitvenih znamk ali imen izdelkov Dajalca licence, razen kolikor je to potrebno za razumno in običajno uporabo pri opisovanju izvora Dela in reproduciranju vsebine datoteke OBVESTILO.

7. Izjava o jamstvu

Razen če to zahteva veljavna zakonodaja ali če je to dogovorjeno v pisni obliki, Dajalec licence zagotavlja Delo (in Sodelavec svoje Prispevke) "TAKŠNO, KOT JE", BREZ JAMSTEV ALI KAKRŠNIH KOLI POGOJEV, izrecnih ali impliciranih, vključno in brez omejitev s kakršnimi koli garancijami ali pogoji glede LASTNIŠTVA, NEKRŠITEV, PRIMERNOSTI ZA PRODAJO ali PRIMERNOSTI ZA DOLOČENI NAMEN. Sami ste odgovorni za ugotavljanje primernosti uporabe ali vnovične distribucije Dela in prevzimate vsa tveganja, povezana z vašo uporabo dovoljenj v okviru te Licence. 8. Omejitev odgovornosti V nobenem primeru in v skladu z nobeno pravno teorijo, ne glede na to, ali gre za odškodninsko odgovornost (vključno z malomarnostjo), pogodbo ali drugo, razen če to zahteva veljavna zakonodaja (kot so naklepna ravnanja in ravnanja s hudo malomarnostjo) ali je dogovorjeno v pisni obliki, vam noben Sodelavec ne odgovarja za škodo, vključno z neposredno, posredno, posebno, naključno ali posledično škodo kakršne koli narave, ki izhaja iz te Licence ali zaradi uporabe ali nezmožnosti uporabe Dela (vključno z, vendar ne omejeno na škodo zaradi izgube dobrega imena, ustavitve dela, okvare ali nepravilnega delovanja računalnika ali kakršno koli drugo komercialno škodo ali izgubo), tudi če je bil tak Sodelavec obveščen o možnosti takšne škode.

9. Sprejem jamstev ali dodatne odgovornosti

Pri vnovični distribuciji Dela ali njegovih Izvedenih del se lahko odločite, da ponudite in zaračunate prispevek za zagotavljanje podpore, garancije, nadomestila ali drugih obveznosti in/ali pravic v skladu s to Licenco. Vendar pa lahko pri sprejemanju takšnih obveznosti delujete le v svojem imenu in na lastno odgovornost in ne v imenu

katerega koli drugega Sodelavca, in samo v primeru, če se strinjate, da boste vsakega Sodelavca izvzeli oziroma ščitili pred kakršno koli odgovornostjo ali zahtevki zaradi

vašega sprejema kakršnega koli jamstva ali dodatne odgovornosti. KONEC DOLOČIL IN POGOJEV

Registrirane blagovne znamke

Koda QR je registrirana blagovna znamka družbe DENSO WAVE INCORPORATED na Japonskem.

Sadržaj

| | | | |
|-------------------------|-----|--|-----|
| Uvod..... | 520 | Transport, skladištenje i odlaganje..... | 533 |
| Bezbednost..... | 521 | Tehnički podaci..... | 535 |
| Sklapanje..... | 527 | Deklaracija o usaglašenosti..... | 537 |
| Rukovanje..... | 528 | Licence..... | 538 |
| Održavanje..... | 530 | Registrovani žigovi..... | 540 |
| Rešavanje problema..... | 531 | | |

Uvod

Opis proizvoda

Proizvod je rotaciona kosačica koju kontroliše rukovalac. Trava se sakuplja u hvatač trave. Uklonite hvatač trave kako biste omogućili pražnjenje trave na zadnjoj strani. Postavite mericu za usitnjenu travu za košenje trave u đubrivo.

Namena

Koristite proizvod za košenje trave. Nemojte koristiti proizvod za druge zadatke.

Pregled proizvoda

(Sl. 1)

1. Ručica kočnice motora
2. Inhibitor pokretanja
3. Ručka/upravljač
4. Dugme za zabavljanje upravljača
5. Točkići ručice
6. Hvatač trave
7. Merica za usitnjenu travu
8. Zadnji poklopac
9. LED na proizvodu
10. Indikator upozorenja (LED greške)
11. Bezbednosni ključ
12. Odeljak akumulatora
13. Poklopac akumulatora
14. Simboli
15. Poluga visine košenja
16. Akumulator (oprema)
17. Punjač akumulatora (oprema)
18. Crveni LED
19. Zeleni LED
20. Tačke za podizanje
21. Kuka
22. Uputstvo za rukovaoca

Brzi vodič

Skenirajte QR kôd da biste dobili savet o tome kako upotrebljavati proizvod.



Simboli na proizvodu

- (Sl. 2) UPOZORENJE
- (Sl. 3) Pročitajte uputstva.
- (Sl. 4) UPOZORENJE – pazite se izbačenih predmeta.
- (Sl. 5) Udaljite druga lica.
- (Sl. 6) UPOZORENJE – udaljite šake i stopala od noževa.
- (Sl. 7) UPOZORENJE – iskopčajte akumulator pre radova na održavanju.
- (Sl. 8) Ovaj proizvod ili pakovanje ne treba tretirati kao kućni otpad. Reciklirajte ga na lokaciji za recikliranje električne i elektronske opreme.
- (Sl. 9) Oznaka emisije buke u okruženje u skladu sa direktivama i propisima EU i UK i propisom o zaštiti radova u okruženju (kontrola buke) Novog Južnog Velsa iz 2017. Garantovani nivo zvučne snage

za ovaj proizvod naveden je u *Tehnički podaci na stranici 535* i na nalepnici.

(Sl. 20)

Akumulator koristite samo u proizvodima partnera organizacije POWER FOR ALL.

(Sl. 10) Ovaj priključak je u saglasnosti sa važećim direktivama EZ.

(Sl. 11) Proizvod je usaglašen sa važećim direktivama UK.

(Sl. 21)

(Sl. 22)

Zaštitite akumulator od toplote, npr. od neprekidne izloženosti sunčevoj svetlosti, požara, prljavštine, vode i vlage. Postoji rizik od eksplozije i kratkog spoja.

(Sl. 12) Proizvod ima zaštitu od kapanja.

(Sl. 13) Otpustite ručicu kočnice motora za zaustavljanje.

(Sl. 16)

Koristite i čuvajte punjač akumulatora samo u zatvorenom prostoru.

(Sl. 14) Pritisnite ručicu kočnice motora da biste aktivirali pogon noževa.

(Sl. 17)

Dvostruka izolacija.

(Sl. 15) Kôd koji se može skenirati.

(Sl. 18) Okrenite da biste zaključali ili otključali.

Nalepnica na proizvodu

(Sl. 23)

OPASNOST – udaljite šake i stopala.

Odgovornost za proizvod

Kako je izloženo u zakonima o odgovornosti za proizvode, mi nismo odgovorni za oštećenja prouzrokovana našim proizvodom u sledećim slučajevima:

- proizvod je popravljen na pogrešan način
- proizvod je popravljen korišćenjem delova koji nisu napravljeni ili odobreni od strane proizvođača
- proizvod ima opremu koja ne potiče ili nije odobrena od strane proizvođača
- proizvod nije popravljen u ovlašćenom servisnom centru ili od strane ovlašćenog stručnjaka

Napomena: Ostali simboli/nalepnice koji su navedeni na proizvodu važe za specifične zahteve sertifikata na određenim tržištima.

Simboli na akumulatoru i/ili punjaču akumulatora

(Sl. 19)

Reciklirajte ovaj proizvod u pogonu za recikliranje električne i elektronske opreme. (Odnosi se samo na Evropu)

Bezbednost

Bezbednosne definicije

Upozorenja, mere opreza i napomene se koriste da ukažu na naročito važne delove korisničkog uputstva.



UPOZORENJE: Koristi se ako, usled nepoštovanja uputstava, postoji rizik od nastanka telesnih povreda ili smrti kod rukovaoca ili prisutnih osoba.



OPREZ: Koristi se ako, usled nepoštovanja uputstava, postoji rizik od nastanka oštećenja na proizvodu, drugim materijalima ili susednim oblastima.

Napomena: Koristi se za pružanje više informacija koje su neophodne u datoj situaciji.

Opšta bezbednosna upozorenja za proizvod



UPOZORENJE: Pročitajte **sva bezbednosna upozorenja, uputstva, ilustracije i specifikacije koje su obezbeđene uz ovaj proizvod.** Nepridržavanje svih uputstava navedenih u nastavku može da dovede do strujnog udara, požara i/ili teških telesnih povreda.

Sačuvajte sva upozorenja i uputstva kao referencu za kasnije. Izraz „proizvod“ iz upozorenja odnosi se na proizvod koji se napaja preko električne mreže (putem kabla) ili akumulatora (bežično).

Bezbednost u radnom području

- **Držite radnu oblast čistom i dobro osvetljenom.** U neurednim ili mračnim oblastima nezgode se češće dešavaju.
- **Ne radite sa proizvodom u eksplozivnim okruženjima, npr. u prisustvu zapaljivih tečnosti, gasova ili prašine.** Proizvod stvara iskre koje mogu da zapale prašinu ili isparenja.
- **Deca i posmatračci treba da se udalje dok koristite proizvod.** Skretanje pažnje može da dovede do toga da izgubite kontrolu.

Električna bezbednost

- **Utičkači proizvoda moraju da odgovaraju utičnici.** Nikad nemojte ni na koji način da modifikujete utikač. Nemojte da koristite adaptere pri radu sa uzemljenim proizvodom. Nemodifikovani utikači i odgovarajuće utičnice će smanjiti rizik od strujnog udara.
- **Izbegavajte telesni kontakt sa uzemljenim površinama kao što su cevi, radijatori, šporeti i frižideri.** Postoji povećani rizik od strujnog udara ukoliko je vaše telo uzemljeno.
- **Nemojte izlagati proizvod kiši ili vlazi.** Ako voda prodre u proizvod, povećaće se opasnost od strujnog udara.
- **Nemojte nepropisno da postupate sa kablom.** Ne koristite kabl za nošenje, vuču ili isključivanje proizvoda. Držite kabl dalje od izvora toplote, ulja, oštrih ivica i pokretnih delova. Oštećeni ili zamršeni kablovi povećavaju rizik od strujnog udara.
- **Kad koristite proizvod na otvorenom, koristite produžni kabl koji je pogodan za upotrebu na otvorenom.** Korišćenje kabla koji je pogodan za upotrebu na otvorenom smanjuje rizik od strujnog udara.
- **Ako ne može da se izbegne korišćenje proizvoda na vlažnom mestu, koristite napajanje preko zaštitnog uređaja diferencijalne struje (RCD).** Upotreba zaštitnog uređaja diferencijalne struje (RCD) smanjuje opasnost od strujnog udara.

Lična bezbednost

- **Budite na oprezu, ne skrećite pogled sa onoga što radite i rukujte proizvodom zdravorazumski.** Nemojte da koristite proizvod ako ste umorni ili pod dejstvom droge, alkohola ili lekova. Trenutak nepažnje prilikom korišćenja proizvoda može da dovede do teških telesnih povreda.
- **Koristite ličnu zaštitnu opremu. Uvek nosite zaštitu za oči.** Zaštitna oprema poput zaštitne maske od prašine, sigurnosnih neklizajućih cipela, kacige ili zaštite za sluh koja se koristi u odgovarajućim uslovima smanjuje telesne povrede.
- **Sprečite slučajno pokretanje. Uverite se da je prekidač u isključenom položaju pre priključivanja na izvor napajanja i/ili prenosivi punjač akumulatora, podizanja ili nošenja proizvoda.** Nošenje proizvoda sa prstom na prekidaču ili napajanje proizvoda

sa prekidačem u položaju za uključenje može da dovede do nezgode.

- **Uklonite ključ za podešavanje ili francuski ključ pre uključivanja proizvoda.** Francuski ključ ili ključ koji ostanu pričvršćeni za obrtni deo proizvoda mogu da dovedu do telesne povrede.
- **Nemojte se preterano naginjati. Uvek budite oslonjeni na obe noge i pazite na ravnotežu.** To će vam omogućiti bolju kontrolu nad proizvodom u nepredviđenim situacijama.
- **Budite propisno odeveni. Nemojte da nosite nakit ili široku odeću.** Vodite računa da vam kosa i odeća ne dođu u dodir sa pokretnim delovima. Pokretni delovi mogu da zakače široku odeću, nakit ili dugu kosu.
- **Ukoliko su obezbeđeni uređaji za povezivanje aparata za izbacivanje ili sakupljanje prašine, proverite da li su povezani i da li se pravilno koriste.** Korišćenje aparata za prikupljanje prašine može da smanji broj kvarova koji su nastali usled prašine.
- **Nemojte dozvoliti da vam iskustvo koje ste stekli kroz čestu upotrebu proizvoda stvori osećaj samopouzdanja i da se ne pridržavate principa u vezi sa bezbednošću.** Nemarna radnja može da izazove teške povrede u deliću sekunde.

Upotreba i održavanje proizvoda

- **Ne silite proizvod. Koristite proizvod koji odgovara nameni.** Adekvatan proizvod će bolje i sigurnije obaviti posao u meri za koju je napravljen.
- **Ne koristite proizvod ako ga prekidač ne uključuje ili ne isključuje.** Svaki proizvod koji ne može da se kontroliše putem prekidača je opasan i mora da se popravi.
- **Isključite utikač iz izvora električne energije i/ili uklonite akumulator, ako se može odvojiti, sa proizvoda pre nego što pristupite bilo kakvom podešavanju, promeni dodatne opreme ili skladištenju proizvoda.** Takve bezbednosne preventivne mere smanjuju rizik od slučajnog uključivanja proizvoda.
- **Proizvod koji se ne koristi čuvajte dalje od dohvata dece i nemojte da dozvoljavate rad sa alatom osobama koje nisu upoznate sa njim ili ovim uputstvima.** Proizvod je opasan kada njime rukuju neobučeni korisnici.
- **Održavajte proizvode i dodatke. Proverite da li su pokretni i vezni delovi pravilno postavljeni, da li postoje pukotine na delovima i sva druga stanja koja mogu uticati na rad proizvoda. Ukoliko je oštećen, proizvod odnesite na popravku pre korišćenja.** Mnoge nezgode su prouzrokovali loše održavani proizvodi.
- **Održavajte alat za sečenje oštrim i čistim.** Alat za sečenje koji se pravilno održava i ima oštre rezne vrhove se ređe krivi i lakše kontroliše.
- **Proizvod, pribor, delove alata itd. koristite u skladu sa ovim uputstvima uzimajući u obzir radne uslove i posao koji treba da se obavi.** Korišćenje proizvoda za operacije za koje nije namenjen može da dovede do opasnih situacija.

- **Ručke i prihvatne površine bi trebalo da budu suve, čiste i bez ostatka ulja i maziva.** Klizave ručke i prihvatne površine ne omogućavaju bezbedno rukovanje i kontrolu proizvoda u neočekivanim situacijama.

Upotreba i održavanje akumulatorskog alata

- **Punite samo punjačem koji je naznačen od strane proizvođača.** Punjač koji je odgovarajući za jedan tip akumulatora može stvoriti rizik od požara kada se koristi sa drugim akumulatorom.
- **Koristite proizvode samo sa posebno naznačenim akumulatorima.** Korišćenje drugih akumulatora može stvoriti rizik od telesne povrede i požara.
- **Kad se akumulator ne koristi držite ga dalje od metalnih predmeta, kao što su spajalice, novčići, ključevi, ekseri, zavrtnji ili slični mali metalni predmeti koji mogu da naprave spoj između polova akumulatora.** Kratko spajanje polova akumulatora može da izazove opekotine ili požar.
- **U opasnim uslovima, tečnost može da prsne iz akumulatora; izbegavajte kontakt. Ako do kontakta slučajno dođe, isperite to mesto vodom. Ako tečnost dođe u kontakt sa očima, dodatno potražite lekarsku pomoć.** Tečnost koja prsne iz akumulatora može da prouzrokuje iritaciju ili opekotine.
- **Ne koristite akumulatore i uređaje koji su oštećeni ili modifikovani.** Oštećeni ili modifikovani akumulatori mogu biti nepredvidivi što može dovesti do vatre, eksplozije ili rizika od povrede.
- **Akumulator ili uređaj nemojte da izlažete vatri ili previsokoj temperaturi.** Izlaganje vatri ili temperaturi iznad 130 °C / 265 °F može dovesti do eksplozije.
- **Pridržavajte se svih uputstava za punjenje i nemojte da punite akumulator ili uređaj izvan opsega temperature koji je naveden u uputstvima.** Nepravilno punjenje ili temperature izvan navedenog opsega mogu oštetiti akumulator i povećati rizik od požara.

Usluga

- **Servisiranje proizvoda poverite kvalifikovanom serviseru koji isključivo koristi iste rezervne delove.** Tako ćete biti sigurni u očuvanje bezbednosti proizvoda.
- **Nikad ne servisirajte oštećene akumulatore.** Servisiranje akumulatora treba da vrše samo proizvođač ili ovlašćeni serviseri.

Bezbednosna upozorenja za kosačicu

- **Nemojte koristiti kosačicu po lošim vremenskim uslovima, naročito kada postoji opasnost od grmljavine.** Time se smanjuje rizik od udara groma.
- **Proverite ima li životinja na prostoru u kom će se kosačica koristiti.** Kosačica može da povredi životinje tokom rada.
- **Pažljivo pregledajte oblast u kojoj će se kosačica koristiti i uklonite sve kamenje, grane, žice, kosti i**

ostale strane predmete. Izbačeni predmeti mogu da nanesu telesne povrede.

- **Pre korišćenja kosačice, uvek vizuelno proverite noževe i sklop noževa da biste videli jesu li pohabani ili oštećeni.** Pohabani i oštećeni delovi povećavaju rizik od povrede.
- **Često proveravajte da li je sakupljač trave pohaban ili istrošen.** Pohaban ili oštećen hvatač trave povećava rizik od povrede.
- **Vodite računa da štitnici budu postavljeni. Štitnici moraju biti u radnom stanju i propisno postavljeni.** Štitnik koji je labav, oštećen ili ne funkcioniše ispravno može dovesti do povrede.
- **Održavajte sve ulaze vazduha za hlađenje čistim od otpadaka.** Blokirani ulazi, vazduha i otpaci mogu da izazovu prekomerno zagrevanje ili rizik od požara.
- **Dok rukujete kosačicom, uvek nosite neklizajuću i zaštitnu obuću. Ne rukujte kosačicom bosi ili u otvorenim sandalima.** Time se smanjuje mogućnost povrede stopala usled kontakta sa nožem koji se okreće.
- **Dok rukujete kosačicom, uvek nosite duge nogavice.** Izložena koža povećava verovatnoću povrede izbačenim predmetima.
- **Ne koristite kosačicu u mokroj travi. Hodajte, ne trčite.** Time se smanjuje rizik od klizanja i pada koji može da dovede do povrede.
- **Nemojte rukovati kosačicom na previše strmim nagibima.** Tako ćete smanjiti rizik od gubitka kontrole, klizanja i pada koji može da dovede do povrede.
- **Prilikom rada na nagibima, uvek obezbedite dobar oslonac stopala, uvek radite koso preko nagiba, nikada nagore ili nadole i budite naročito pažljivi kad se okrećete.** Tako ćete smanjiti rizik od gubitka kontrole, klizanja i pada koji može da dovede do povrede.
- **Vodite računa kad se krećete unazad ili vučete kosačicu ka sebi. Uvek vodite računa o okruženju.** Tako se smanjuje rizik od saplitanja tokom rada.
- **Ne dodirujte noževe i ostale opasne pokretne delove sve dok se kreću.** Time se smanjuje rizik od povrede pokretnim delovima.
- **Prilikom uklanjanja zaglavljenog materijala ili čišćenja kosačice, uverite se da su svi prekidači za pokretanje isključeni i da je kabl za napajanje odvojen.** Neočekivan rad kosačice može da dovede do teških telesnih povreda.

Zaštitni uređaj diferencijalne struje

- Koristite zaštitni uređaj diferencijalne struje sa prekidnom strujom ne većom od 30 mA.

Opšta bezbednosna uputstva



UPOZORENJE: Pročitajte upozoravajuća uputstva koja slede pre korišćenja proizvoda.

- Proizvod je opasan ako se koristi na nepravilan način ili ako niste oprezni. Može doći do telesne povrede ili smrti ako se ne pridržavate bezbednosnih uputstava.
- Ovaj proizvod pri radu stvara elektromagnetno polje. Ovo polje u određenim uslovima može da izazove smetnje na aktivnim i pasivnim medicinskim implantatima. U cilju smanjenja rizika od uslova nastanka teških ili smrtnih telesnih povreda, preporučujemo osobama koje imaju medicinske implantate da se pre upotrebe ovog proizvoda konsultuju sa lekarom ili proizvođačem implantata.
- Uvek budite pažljivi i koristite zdrav razum. Ako niste sigurni kako da rukujete proizvodom u određenoj situaciji, prekinite rad i obratite se Husqvarna prodavcu pre nastavka rada.
- Ne zaboravite da će rukovalac biti odgovoran za nezgode u kojima su učestvovala druga lica i njihova svojina.
- Održavajte proizvod čistim. Pobrinite se da jasno možete pročitati znakove i nalepnice.
- Nikada nemojte dozvoliti deci ili osobama koje nisu pročitale ova uputstva da koriste uređaj. Uzrast rukovaoca je možda ograničen lokalnim propisima.
- Uvek nadzirite osobu sa smanjenim fizičkim ili mentalnim sposobnostima koja koristi proizvod. Odgovorna odrasla osoba mora biti prisutna sve vreme.
- Nemojte da koristite proizvod kada ste umorni, bolesni ili pod uticajem alkohola, droge ili lekova. To ima negativan uticaj na vašu moć vida, opreznost, koordinaciju i rasuđivanje.
- Nemojte da koristite proizvod ako je pokvaren.
- Nemojte vršiti izmene na proizvodu i nemojte koristiti proizvod ako postoji mogućnost da su druge osobe vršile izmene na njemu.

Bezbednost na radu



UPOZORENJE: Pročitajte upozoravajuća uputstva koja slede pre korišćenja proizvoda.

- Koristite ovaj proizvod samo za košenje travnjaka. Nije dozvoljeno njegovo korišćenje za druge zadatke.
- Koristite ličnu zaštitnu opremu. Pogledajte *Lična zaštitna oprema na stranici 524*
- Naučite kako da brzo zaustavite motor u slučaju opasnosti.
- Nemojte raditi sa proizvodom po kiši ili u vlažnim uslovima. Opasnost od strujnog udara se povećava ako voda prodre u proizvod.
- Nemojte raditi sa proizvodom ako sečivo i svi poklopci nisu pravilno postavljeni. Nepravilno postavljeno sečivo se može otkaçiti i prouzrokovati telesnu povredu.
- Pobrinite se da sečivo ne udara o predmete kao što su kamenje ili korenje. To može dovesti do oštećenja

sečiva i savijanja osovine motora. Savijena osovina proizvodi velike vibracije i postoji povećana opasnost da se sečivo olabavi.

- Ako sečivo udari o predmet ili ako se pojave vibracije, odmah zaustavite proizvod. Zaustavite motor, okrenite bezbednosni ključ u položaj 0 i uklonite akumulator. Sačekajte da se pokretni delovi zaustave. Pregledajte proizvod u pogledu oštećenja. Pritegnite labave delove. Opravite oštećenja, zamenite oštećene delove. Neka odobreni serviser obavi popravku.
- Nikada nemojte postavljati ručicu kočnice motora trajno na ručku kada je motor pokrenut.
- Postavite proizvod na stabilnu, ravnu površinu i pokrenite ga. Vodite računa da sečivo ne dodiruje tlo ili druge predmete.
- Uvek stojte iza proizvoda kada radite sa njim.
- Vodite računa da svi točkići ostanu na tlu i držite dve ruke na ručki kada rukujete proizvodom. Udaljite šake i stopala od rotirajućih noževa.
- Ne naginjite proizvod pri pokretanju motora i tokom rada.
- Budite pažljivi kada povlačite proizvod unazad.
- Nikada nemojte podizati proizvod kada je motor pokrenut. Ako morate podići proizvod, prvo zaustavite motor, okrenite bezbednosni ključ u položaj 0 i uklonite akumulator.
- Nemojte hodati unazad kada radite sa proizvodom.
- Zaustavite motor ako treba nagnuti ili preneti proizvod ili preko područja bez trave, na primer, stazica napravljenih od šljunka, kamena i asfalta.
- Nemojte trčati sa proizvodom kada je motor pokrenut. Uvek hodajte kada radite sa proizvodom.
- Zaustavite motor pre nego što promenite visinu košenja. Nikada nemojte da vršite podešavanja dok je motor pokrenut.
- Nikada nemojte dozvoliti da proizvod ostane bez nadzora dok je motor pokrenut. Zaustavite motor i uverite se da se oprema za košenje ne okreće.
- Vibracije tokom rada mogu da se razlikuju od vrednosti koju navodi *Tehnički podaci na stranici 535*. Odstupanje izazivaju razlike u načinu korišćenja proizvoda. Ako proizvod koristite često ili dugo, redovno pauzirajte da biste sprečili nastanak povreda od vibracija.

Bezbednosna uputstva za rad

Lična zaštitna oprema



UPOZORENJE: Pročitajte upozoravajuća uputstva koja slede pre korišćenja proizvoda.

- Lična zaštitna oprema ne može da u potpunosti spreči telesnu povredu, ali ona umanjuje stepen telesne povrede ako dođe do nesrećnog slučaja. Neka vam vaš prodavac pomogne u izboru odgovarajuće opreme.

- Nosite čvrste neključne čizme ili cipele. Nemojte nositi obuću sa otvorenim prstima ili ići bosonogi.
- Uvek nosite duge pantalone od čvrstog materijala.
- Nosite zaštitne rukavice po potrebi, na primer, kada pričvršćujete, pregledate ili čistite opremu za košenje.
- Preporučujemo da koristite zaštitu za sluh.

Bezbednosni uređaji na proizvodu



UPOZORENJE: Pročitajte upozoravajuća uputstva koja slede pre korišćenja proizvoda.

- Nemojte koristiti proizvod na kojem su oštećeni bezbednosni uređaji.
- Ne uklanjajte i ne prepravljajte bezbednosne uređaje.
- Redovno proveravajte bezbednosne uređaje. Ako su bezbednosni uređaji neispravni, obratite se svom Husqvarna servisnom agentu.

Provera poklopca mehanizma za košenje

Poklopac mehanizma za košenje smanjuje vibracije u proizvodu, kao i rizik od povrede nožem.

- Pregledajte poklopac košenja kako biste se uverili da nema oštećenja kao što su naprsline.

Provera bezbednosnog ključa

Bezbednosni ključ se nalazi ispod poklopca akumulatora. Bezbednosni ključ povezuje akumulator koji snabdeva motor napajanjem.

- Pokrenite i zaustavite motor da biste izvršili proveru bezbednosnog ključa.
- Ako bezbednosni ključ ispravno radi, motor se može pokrenuti samo kada je ključ u položaju 1. (Sl. 24)

Provera ručice kočnice motora

Ručica kočnice motora zaustavlja motor. Kada je ručica kočnice motora otpuštena, motor se zaustavlja.

- Pokrenite proizvod. Pogledajte *Pokretanje proizvoda na stranici 529*
- Otpustite ručicu kočnice motora. (Sl. 25)
- Uverite se da se proizvod zaustavlja. Ako se motor ne zaustavi u roku od 3 sekunde, neka ovlašćeni Husqvarna servisni agent izvrši podešavanje kočnice motora.

Provera inhibitora pokretanja

Izvršite proveru inhibitora pokretanja kako biste se uverili da sprečava rad motora.

1. Pritisnite ručicu kočnice motora u smeru upravljača. Inhibitor pokretanja zaustavlja kretanje.
2. Pritisnite inhibitor pokretanja ka spolja. (Sl. 26)
3. Otpustite inhibitor pokretanja i uverite se da se vraća u početni položaj.

Bezbedna upotreba akumulatora



UPOZORENJE: Pročitajte sva bezbednosna i opšta upozorenja.

Nepoštovanje bezbednosnih i opštih uputstava može da dovede do strujnog udara, požara i/ili teških telesnih povreda. **Sačuvajte sve bezbednosne informacije i opšta uputstva radi kasnije upotrebe.**

- **Ova bezbednosna uputstva važe samo za punjive litijum-jonske akumulatore od 18 V za sistem POWER FOR ALL.**
- **Punjivi akumulator koristite samo u proizvodima partnera organizacije POWER FOR ALL.** Punjivi akumulatori od 18 V sa oznakom POWER FOR ALL su u potpunosti kompatibilni sa sledećim proizvodima:
 - Svi proizvodi akumulatora od 18 V sistema POWER FOR ALL.
 - Svi proizvodi od 18 V partnera organizacije POWER FOR ALL.
- **Poštujte preporuke za akumulator navedene u uputstvu za rad proizvoda.** Samo na taj način moguće je korišćenje punjivog akumulatora i proizvoda bez opasnosti i punjivi akumulatori će biti zaštićeni od opasnog preopterećenja.
- **Akumulatore punite samo pomoću punjača koje preporučuje proizvođač ili partneri organizacije POWER FOR ALL.** Punjač koji je odgovarajući za jedan tip akumulatora može stvoriti rizik od požara kada se koristi sa drugim akumulatorom.
- **Akumulator se isporučuje delimično napunjen.** Da biste osigurali pun kapacitet akumulatora, pre prvog korišćenja električnog alata napunite akumulator u punjaču.
- **Držite akumulatore van domašaja dece.**
- **Nemojte otvarati akumulator.** Postoji rizik od nastanka kratkog spoja.
- **U slučaju oštećenja i nepravilnog korišćenja akumulatora može da dođe do oslobađanja isparenja. Akumulator može da se zapali ili eksplodira.** Vodite računa da prostor ima dobru ventilaciju i zatražite medicinsku pomoć ako doživite štetne efekte. Isparenja mogu da iritiraju respiratorni sistem.
- **U slučaju nepravilne upotrebe ili oštećenja akumulatora može da dođe do prskanja zapaljive tečnosti iz njega. Izbegavajte kontakt sa tom tečnošću. Ako do kontakta slučajno dođe, isperite to mesto vodom. Zatražite dodatnu medicinsku pomoć ako tečnost dođe u kontakt sa očima.** Tečnost koja prsne iz akumulatora može da prouzrokuje iritaciju ili opekotine.
- **U slučaju oštećenja akumulatora može da dođe do oslobađanja tečnosti i kontaminiranja okolnih površina. Proverite zahvaćene delove.** Očistite te delove ili ih zamenite ako je potrebno.

- **Ne pravite kratak spoj akumulatora.** Kad se akumulator ne koristi držite ga dalje od metalnih predmeta, kao što su spajalice, novčići, ključevi, ekseri, zavrtnji ili slični mali metalni predmeti koji mogu da naprave spoj između polova akumulatora. Kratko spajanje polova akumulatora može da izazove opekotine ili požar.
- **Akumulator može da se ošteti oštrim predmetima kao što su eksler ili odvijač ili usled spoljne sile.** Može da nastane unutrašnji kratak spoj koji može da izazove požar, dimljenje, eksploziju ili pregrevanje akumulatora.
- **Nikad ne servisirajte oštećene akumulatore.** Servisiranje akumulatora treba da vrši samo servisvođači ili ovlašćeni serviseri.
- **Zaštite akumulator od toplote npr. od neprekidne izloženosti sunčevoj svetlosti, požara, prijavštine, vode i vlage.** Postoji rizik od eksplozije i kratkog spoja.
- **Akumulator u proizvodu koristite samo kad je temperatura sredine između 0 °C – +40 °C.**
- **Akumulator skladištite samo na temperaturi sredine u rasponu -20 °C – +50 °C.** Nemojte da ostavljate akumulator u automobilu tokom leta. Na temperaturama < 0 °C može da dođe do gubitka snage nekih uređaja.
- **Punite akumulator samo na temperaturi između 0 °C – +35 °C.** Punjivi akumulator punite samo pomoću USB kabla pri temperaturi sredine u rasponu od +10 °C do +35 °C. Punjenje izvan ovog raspona temperature može da poveća rizik od oštećenja akumulatora i može da predstavlja opasnost od požara.
- **Samo za punjenje akumulatora od 18 V POWER FOR ALL za sisteme kapaciteta 1,5 Ah.** Napon akumulatora mora da odgovara naponu punjenja punjača. Nemojte da punite nepunjive akumulatore. U suprotnom postoji rizik od požara i eksplozije.
- **Punjač koristite samo u zatvorenom prostoru i nemojte ga izlagati vlažnim uslovima.** Ako voda prođe u električni alat, povećaće se opasnost od strujnog udara.
- **Održavajte punjač čistim.** Prijavština predstavlja rizik od strujnog udara.
- **Pre svake upotrebe proverite punjač, kabl i utikač.** Prekinite korišćenje punjača ako primetite bilo koje oštećenje. Nemojte samostalno da otvarate punjač, a popravku proverite isključivo Husqvarna ili ovlašćenom servisu koji koristi originalne rezervne delove. Oštećeni punjač, kabl i utikač povećavaju rizik od strujnog udara.
- **Nemojte da koristite punjač na lako zapaljivim površinama (npr. papir, tkanina itd.) ili u zapaljivom okruženju.** Postoji opasnost od požara zbog toga što se punjač zagreva u toku rada.
- **Nemojte da zaklanjate ventilacione otvore punjača.** U suprotnom punjač može da se pregreje što će izazvati nepravilan rad.
- **Punite samo punjačem koji je naznačen od strane proizvođača.** Punjač koji je odgovarajući za jedan tip akumulatora može stvoriti rizik od požara kada se koristi sa drugim akumulatorom.
- **U slučaju oštećenja i nepravilnog korišćenja akumulatora može da dođe do oslobađanja isparenja.** Vodite računa da prostor ima dobru ventilaciju i zatražite medicinsku pomoć ako doživite štetne efekte. Isparenja mogu da iritiraju respiratorni sistem.
- **U opasnim uslovima, tečnost može da prsne iz akumulatora. Izbegavajte kontakt sa tom tečnošću.** Ako do kontakta slučajno dođe, isperite to mesto vodom. Zatražite dodatnu medicinsku pomoć ako tečnost dođe u kontakt sa očima. Tečnost koja prsne iz akumulatora može da prouzrokuje iritaciju ili opekotine.
- **Proizvodi koji se prodaju samo u Velikoj Britaniji:** Proizvod poseduje električni utikač sa odobrenjem BS 1363/A koji poseduje unutrašnji osigurač (ASTA odobrenje BS 1362). Ako utikač ne odgovara vašim strujnim utičnicama, ovlašćeni servisni agent bi trebalo da odseče postojeće utikač i da ga zameni odgovarajućim utikačem. Zamenski utikač bi trebalo da ima isti osigurač kao i originalni utikač. Odsećeni utikač mora da se odloži da bi se izbegla potencijalna opasnost od strujnog udara i ne sme da se ubacuje u strujnu utičnicu na bilo kom drugom mestu.

Bezbedna upotreba punjača baterije



UPOZORENJE: Pročitajte sva bezbednosna i opšta upozorenja.

Nepoštovanje bezbednosnih i opštih uputstava može da dovede do strujnog udara, požara i/ili teških telesnih povreda. Čuvajte ovo uputstvo na sigurnom mestu. Punjač koristite samo ako možete u potpunosti da proverite sve funkcije i da ih izvršite bez ograničenja, ili ako ste dobili odgovarajuća uputstva.

- **Ovaj punjač nije namenjen deci niti osobama sa fizičkim, senzornim ili mentalnim smetnjama ili sa nedovoljno znanja i iskustva.** Ovaj punjač mogu da koriste deca od najmanje osam godina i osobe koje imaju fizičke, senzorne ili mentalne smetnje ili nemaju dovoljno znanja i iskustva ako ih nadgleda osoba odgovorna za njihovu bezbednost ili im je pružena obuka za bezbednu upotrebu punjača i oni razumeju povezane opasnosti. U suprotnom postoji rizik od pogrešne upotrebe i povreda.
- **Nadgledajte decu u toku upotrebe, čišćenja i održavanja.** Time se osigurava da se deca neće igrati punjačem.

Bezbednosna uputstva za održavanje



UPOZORENJE: Pročitajte upozoravajuća uputstva koja slede reo korišćenja proizvoda.

- Kako biste sprečili slučajno pokretanje tokom održavanja, okrenite bezbednosni ključ u položaj 0 i uklonite akumulator. Sačekajte najmanje 5 sekundi pre nego što počnete da vršite održavanje.
- Vršite samo one radove na održavanju proizvoda koji su navedeni u ovom korisničkom uputstvu. Svaki veći zahvat i profesionalne popravke mora da izvrši ovlašćeni serviser. Obratite se najbližem servisnom agentu za više informacija.
- Pravilno vršite rad na održavanju kako biste povećali radni vek proizvoda i smanjili rizik od nesrećnih slučajeva.
- Zamenite oštećene, pohabane ili pokvarene delove. Uvek koristite originalne rezervne delove proizvođača. Ostali rezervni delovi mogu da oštete proizvod i povećavaju rizik od nezgoda.
- Da biste sprečili povrede, ne uklanjajte i ne prepravljajte bezbednosne uređaje.
- Nosite čvrste rukavice kada koristite opremu za košenje. Sečivo je veoma oštro i lako dolazi do posekotine.
- Održavajte rezne ivice oštirim i čistim kako biste dobili najbolje i najbezbednije performanse.
- Neka servisni agent redovno proverava proizvod i vrši potrebna podešavanja i popravke.
- Pridržavajte se uputstava za zamenu opreme. Koristite samo opremu od proizvođača.
- Kada se ne koriste, čuvajte proizvod, akumulator i punjač akumulatora odvojeno na suvom i zaključanom zatvorenom mestu. Pobrinite se da deca i neovlašćene osobe ne mogu imati pristup proizvodu, akumulatoru ili punjaču akumulatora.

Sklapanje

Uvod



UPOZORENJE: Pre sklapanja proizvoda, pročitajte poglavlje o bezbednosti.



UPOZORENJE: Kako biste sprečili slučajno pokretanje tokom sklapanja, okrenite bezbednosni ključ u položaj 0, uklonite akumulator i sačekajte najmanje 5 sekundi.

Podešavanje visine ručke

Proizvod ima ručku sa rasponom za slobodno podešavanje visine. Visina ručke može da se podese na odgovarajuću visinu između 2 krajnje tačke.

1. Postavite proizvod u položaj za rad. Pogledajte *Stavljanje proizvoda u položaj za rad na stranici 528*.
2. Okrenite točkice za zabavljanje na ručicama ulivo. (Sl. 27)
3. Povucite ručice na odgovarajući položaj.
4. Poravnajte 2 ručice.



OPREZ: Ako ručice nisu poravnate, doći će do oštećenja proizvoda.

5. Okrenite točkice za zabavljanje na ručicama udesno.
6. Potpuno pritegnite točkice za zabavljanje.

Postavljanje hvatača trave

1. Podignite zadnji poklopac.

2. Uklonite mericu za usitnjenu travu.
3. Pričvrstite hvatač trave na gornju ivicu šasije.
4. Stavite donji deo hvatača trave u kanal sa izbacivanje trave. (Sl. 28)



OPREZ: Uverite se da je hvatač trave pravilno zaptiven za šasiju proizvoda.

Postavljanje merice za usitnjenu travu

1. Podignite zadnji poklopac i uklonite hvatač trave.
2. Pritisnite mericu za usitnjenu travu u kanal za izbacivanje dok ne čujete klik. (Sl. 29)

Postavljanje kuke na zid

- Postavite kuku u zatvorenom.
- Kuku držite van domašaja sunčeve svetlosti na temperaturi sredine u rasponu od -10 °C do +70 °C.
- Postavite kuku na zid od gipsa, drveta ili betona.



OPREZ: Uverite se da zid može da nosi opterećenja od bar 30 kg.

- Postavite kuku na zid pomoću 3 zavrtnja (A). Po potrebi koristite tiplove (B). (Sl. 30)



OPREZ: Uverite se da su zavrtnji odgovarajući za tip zida koji imate.

- Obratite se servisnom agentu kompanije Husqvarna da biste saznali informacije o dostupnom priboru za skladištenje proizvoda.

Rukovanje

Uvod



UPOZORENJE: Pre rada sa proizvodom, morate pročitati i razumeti poglavlje o bezbednosti.

Husqvarna Connect

Husqvarna Connect je besplatna aplikacija za mobilne uređaje. Aplikacija Husqvarna Connect pruža proširene funkcije za proizvod Husqvarna:

- Dodatne informacije o proizvodu.
- Informacije o delovima proizvoda i servisiranju i pomoći u vezi s njima.

Početak upotrebe Husqvarna Connect

1. Preuzmite aplikaciju Husqvarna Connect na svoj mobilni uređaj.
2. Registrujte se u aplikaciji Husqvarna Connect.
3. Pratite uputstva u aplikaciji Husqvarna Connect da biste se povezali i registrovali proizvod.

Napomena: Aplikacija Husqvarna Connect nije dostupna na svim tržištima. Obratite se serviseru za više informacija.

Stavljanje proizvoda u položaj za rad

1. Okrenite točkice ručice u otključan položaj. (Sl. 31)
2. Preklopite ručku nagore dok ne čujete klik. (Sl. 32)



OPREZ: Uverite se da kablovi nisu previše zategnuti. Prevelika zategnutost može da ošteti kabl ako se ručka savije u položaj za transport.



UPOZORENJE: Uverite se da je ručka potpuno preklopljena nagore i u zaključanom položaju.

3. Podesite visinu ručke. Pogledajte *Podešavanje visine ručke na stranici 527*.

Podešavanje visine košenja

1. Pomerite polugu visine košenja unazad da biste povećali visinu košenja.
2. Pomerite polugu visine košenja unapred da biste smanjili visinu košenja. (Sl. 33)



OPREZ: Nemojte postavljati visinu košenja suviše nisko. Sečiva mogu da udare o tlo ako površina travnjaka nije ujednačena.

Baterija



UPOZORENJE: Pre korišćenja akumulatora, morate pročitati i razumeti poglavlje o bezbednosti. Takođe morate pročitati i razumeti korisničko uputstvo za akumulator i punjač akumulatora.

Akumulator i punjač akumulatora čuvajte na odgovarajućoj temperaturi.

| | Temperatura sredine |
|-----------------------------|---------------------|
| Rad akumulatora u proizvodu | 0 °C – +40 °C |
| Punjenje akumulatora | 0 °C – +35 °C |

Punjenje akumulatora

Napunite akumulator pre prvog korišćenja.

Napomena: Punjenje je moguće samo kada je temperatura akumulatora u okviru dozvoljene temperature za punjenje (0–45 °C).

1. Povežite kabl za napajanje za punjač akumulatora u uzemljenu mrežnu utičnicu.



OPREZ: Uverite se da mrežna utičnica ima odgovarajući napon i frekvenciju.

2. Stavite akumulator u punjač akumulatora. Akumulator je povezan na punjač akumulatora kada zelena LED lampica treperi. (Sl. 34)
3. Akumulator je potpuno napunjen kada zelena LED lampica na punjaču akumulatora svetli. Punite akumulator najviše 24 sata.
4. Isključite punjač akumulatora iz struje.



OPREZ: Ne vucite kabl za napajanje.

5. Izvadite akumulator iz punjača akumulatora.

LED lampica statusa akumulatora na punjaču akumulatora

Crvena LED lampica (A) i zelena LED lampica (B) na punjaču akumulatora prikazuju status akumulatora. Pogledajte *Rešavanje problema punjača akumulatora na stranici 531*.

(Sl. 35)

| LED | Status baterije |
|-----------------------------------|---|
| Zelena LED lampica treperi brzo. | Akumulator se puni. |
| Zelena LED lampica treperi sporo. | Akumulator je napunjen 80%. |
| Zelena LED lampica svetli. | Akumulator je potpuno napunjen. |
| Crvena LED lampica svetli. | Pogledajte <i>Rešavanje problema punjača akumulatora na stranici 531.</i> |
| Crvena LED lampica treperi brzo. | Pogledajte <i>Rešavanje problema punjača akumulatora na stranici 531.</i> |

LED lampica statusa akumulatora na proizvodu

Kada je akumulator postavljen u proizvod, LED lampice na proizvodu prikazuju status akumulatora.

(Sl. 36)

| LED | Status baterije |
|--------------------------|---|
| LED br. 1, 2 i 3 svetle. | Potpuno napunjena. |
| LED br. 1 i 2 svetle. | Dovoljno napunjena |
| LED br. 1 svetli. | Napon akumulatora je nizak. |
| LED br. 1 treperi. | Akumulator je prazan. Indikator statusa akumulatora treperi. Napunite akumulator. Pogledajte <i>Punjenje akumulatora na stranici 528.</i> |

Pokretanje proizvoda

1. Otvorite poklopac akumulatora.
2. Stavite napunjen akumulator u nosač akumulatora.
3. Okrenite bezbednosni ključ u položaj 1. (Sl. 37)
4. Stanite iza proizvoda.
5. Olabavite inhibitor pokretanja. (Sl. 26)
6. Pritisnite ručicu kočnice motora u smeru upravljača. (Sl. 38)

Funkcija velikog opterećenja

Kada se proizvodom kosi visoka ili vlažna trava, motor automatski povećava broj obrtaja. Motor se vraća u standardni režim kada veliko opterećenje nije potrebno.

Zaustavljanje motora

Tokom rada, nož i motor mogu da se privremeno zaustave zbog prepreka kao što su zapušenje travom ispod poklopca košenja. Pogledajte *Čišćenje proizvoda na stranici 530.*



UPOZORENJE: Pre provere poklopca košenja pustite ručicu kočnice motora, okrenite bezbednosni ključ u položaj 0, uklonite akumulator i sačekajte najmanje 5 sekundi. Rizik od povrede ako se prepreka ukloni i proizvod slučajno proradi.

Zaustavljanje proizvoda



UPOZORENJE: Okrenite bezbednosni ključ u položaj 0 pre nego što ostavite proizvod bez nadzora.

1. Otpustite ručicu kočnice motora da biste zaustavili motor. (Sl. 39)
2. Otvorite poklopac akumulatora i okrenite bezbednosni ključ u položaj 0. (Sl. 40)
3. Da biste uklonili akumulator, pritisnite dugme za otpuštanje i izvucite akumulator. (Sl. 41)
4. Napunite akumulator ako je prazan. Za više informacija pogledajte *Punjenje akumulatora na stranici 528.*

Za dobre rezultate

- Uvek koristite oštro sečivo. Tupo sečivo daje neujednačeni rezultat i pokošena površina trave postaje žuta. Oštro sečivo takođe koristi manje energije nego tupo sečivo.
- Nemojte kositi više od 1/3 dužine trave. Prvo kosite sa visokom visinom košenja. Pregledajte rezultat i spustite visinu košenja na prihvatljivi nivo. Ako je trava zaista visoka, vozite polako i kosite dvaput ako bude potrebno.
- Kosite u različitim smerovima svaki put da biste izbegli pruge na travnjaku.
- Poklopac košenja mora da bude čist. Naslage trave i prijavštine s unutarnje strane poklopca košenja mogu da umanje rezultate košenja. Pogledajte *Čišćenje proizvoda na stranici 530*

Održavanje

Uvod



UPOZORENJE: Pre održavanja, morate pročitati i razumeti poglavlje o bezbednosti.

Za sva servisiranja i popravke proizvoda, potrebna je specijalna obuka. Garantujemo dostupnost stručnih popravki i servisiranja. Ako vaš prodavac nije servisni agent, obratite mu se za informacije o najbližem servisnom agentu.

Za detaljnije informacije pogledajte www.husqvarna.com.

Šema održavanja

Intervali održavanja su izračunati na osnovu svakodnevnog korišćenja proizvoda. Intervali se menjaju ako se proizvod ne koristi svakodnevno.

Za održavanja obeležena znakom *, pogledajte uputstva u *Bezbednost na stranici 521*.

| | Svaka upotreba | Mesečno | Svaka sezona |
|--|----------------|---------|--------------|
| Izvršite generalni pregled. | X | | |
| Očistite proizvod. | X | | |
| Proverite inhibitor pokretanja. * | X | | |
| Uverite se da bezbednosni uređaji na proizvodu nisu neispravni. * | X | | |
| Pregledajte opremu za košenje. | X | | |
| Pregledajte poklopac košenja. * | X | | |
| Proverite ručicu kočnice motora. * | X | | |
| Pregledajte akumulator u pogledu oštećenja. | X | | |
| Proverite punjenje akumulatora. | X | | |
| Uverite se da dugme za otpuštanje na akumulatoru ispravno radi i da akumulator pravilno stoji u proizvodu. | X | | |
| Pregledajte punjač akumulatora u pogledu oštećenja i uverite se da ispravno radi. | | X | |
| Pregledajte konektore između akumulatora i proizvoda. Takođe pregledajte konektore između akumulatora i punjača akumulatora. | | | X |

Vršenje opšteg pregleda

- Uverite se da su navrtke i zavrtnji na proizvodu zategnuti.
- Uverite se da kablovi na proizvodu nisu u položaju u kojem se mogu oštetiti.

Čišćenje proizvoda

- Očistite plastične delove čistom i suvom krpom.
- Nemojte čistiti proizvod vodom. Voda može da prodre u akumulator ili motor i izazove kratak spoj ili oštećenje proizvoda.
- Nemojte da koristite čistač pod visokim pritiskom za čišćenje proizvoda.
- Nemojte direktno ispirati motor vodom.
- Uklonite lišće, travu i prljavštinu pomoću četke.

Čišćenje akumulatora i punjača akumulatora



UPOZORENJE: Nemojte čistiti akumulator ili punjač akumulatora vodom.



UPOZORENJE: Nemojte da koristite hemijske supstance za čišćenje akumulatora.

- Uverite se da su akumulator i punjač akumulatora čisti i suvi pre stavljanja akumulatora na punjač akumulatora.

- Očistite terminale akumulatora komprimovanim vazduhom ili pomoću meke i suve krpe.
- Očistite površine akumulatora i punjača akumulatora pomoću meke i suve krpe.

Pregled opreme za rezanje



UPOZORENJE: Kako biste sprečili slučajno pokretanje, okrenite bezbednosni ključ u položaj 0, uklonite akumulator i sačekajte najmanje 5 sekundi.



UPOZORENJE: Nosite zaštitne rukavice kada vršite održavanje na opremi za košenje. Sečivo je veoma oštro i lako dolazi do posekotina.

1. Pregledajte opremu za košenje u pogledu oštećenja ili naprslina. Uvek zamenite oštećenu opremu za košenje.
2. Pregledajte sečivo da biste videli je li oštećeno ili tupo.

Napomena: Nakon oštrenja sečiva potrebno ga je balansirati. Neka servisni centar naoštiri, zameni i balansira sečivo. Ako udarite o prepreku nakon čega se proizvod zaustavi, zamenite oštećeno sečivo. Neka servisni centar odredi da li sečivo može da se naoštiri ili mora da se zameni.

Zamena noža

Pogledajte *Tehnički podaci na stranici 535* za potreban tip noža.



UPOZORENJE: Blokirate nož komadom drveta da biste sprečili povrede prstiju tokom zamene noža. Nož može da se pomeri kad je motor isključen i prsti mogu da se uhvate između noža i nepomičnih delova.

1. Blokirate nož pomoću komada drveta. (Sl. 42)
2. Uklonite vijak noža.
3. Uklonite nož.
4. Pregledajte nosač noža i vijak noža kako biste videli postoje li oštećenja.
5. Pregledajte osovinu motora kako biste se uverili da nije savijena.
6. Kada postavite nov nož, usmerite savijene krajeve noža u smeru poklopca košenja. (Sl. 43)
7. Pobrinite se da je nož poravnat sa sredinom osovine motora.
8. Blokirate nož pomoću komada drveta. Postavite opružnu podlošku i zategnite vijak i podlošku na moment pritezanja od 23-28 Nm. (Sl. 44)
9. Povucite nož rukom da biste proverili da li se slobodno okreće.



UPOZORENJE: Nosite čvrste rukavice. Nož je veoma oštar i lako dolazi do posekotina.

10. Pokrenite proizvod kako biste testirali nož. Ako nož nije ispravno postavljen, pojavice se vibriranje proizvoda ili rezultat košenja neće biti zadovoljavajući.

Rešavanje problema

Rešavanje problema punjača akumulatora

| LED lampice na punjaču akumulatora | Uzrok | Rešenje |
|---|--|--|
| Zelena LED lampica svetli, a crvena LED lampica treperi. | Akumulator nije pravilno postavljen u punjač akumulatora. | Izvadite akumulator iz punjača, zatim ga ponovo vratite u punjač. |
| | Konektori akumulatora su prljavi. | Očistite konektore akumulatora. |
| | Punjač je otkrio internu grešku. | Proverite da li su svi akumulatori potpuno ubačeni. Uklonite utikač iz utičnice i ponovo ga ubacite. Ukoliko se greška ponovo pojavi, odnesite akumulator da ga pogleda ovlašćeni serviser za proizvode Husqvarna. |
| Crvena LED lampica svetli, a zelena LED lampica je ugašena. | Akumulator je neispravan. | Zamenite akumulator. |
| | Temperatura akumulatora je izvan opsega temperature za punjenje. | Sačekajte da se temperatura vrati u dozvoljeni opseg temperature za punjenje (0-45°C). |

| LED lampice na punjaču akumulatora | Uzrok | Rešenje |
|--|---|--|
| Zelena LED lampica i crvena LED lampica su isključene. | Punjač akumulator nije pravilno povezan sa mrežnom utičnicom. | Povežite punjač akumulatora na strujnu utičnicu. |
| | Neispravna mrežna utičnica. | Povežite punjač akumulatora na napon i frekvenciju naznačene na pločici sa podacima. |
| | Kabl punjača akumulatora je neispravan. | Obratite se ovlašćenom servisnom agentu. |
| | Punjač akumulatora je neispravan. | |
| Druge greške. | Ako se pojave druge greške, uverite se da je proizvod isključen, izvadite akumulator i obratite se ovlašćenom servisnom agentu. | |

Rešavanje problema kosačice

Indikator upozorenja (LED greške) nalazi se na poledini proizvoda, ispod poklopca baterije.

| Problem | LED greške (broj treptaja) | Uzrok | Rešenje |
|---|----------------------------|---|--|
| LED greške treperi. Proizvod ne radi kako bi trebalo. | 5. | Nož je blokiran. | Okrenite bezbednosni ključ u položaj 0 da biste sprečili slučajno pokretanje. Uklonite bateriju i sačekajte najmanje 5 sekundi. Uklonite moguće prepreke i uverite se da se nož slobodno okreće. Ako se problem ne otkloni, obratite se ovlašćenom servisnom agentu. |
| | | Brzina motora prekomerno opada i motor se zaustavlja. | Povećajte visinu košenja. Pogledajte <i>Podešavanje visine košenja na stranici 528.</i> |
| | 10. | Kontrola motora je prevruća. | Zaustavite motor i sačekajte da se ohladi. |

| Problem | LED greške (broj treptaja) | Uzrok | Rešenje |
|---|--|--|--|
| LED greške treperi. Proizvod se zaustavlja. | 22. | Temperatura baterije je previsoka jer je temperatura u radnom okruženju previsoka. | Uklonite bateriju iz mašine i čekajte da se mašina ohladi prije nego je ponovno pokrenete. Uverite se da je temperatura sredite odgovarajuća. Koristite bateriju na temperaturama između 0°C i +40°C. Ako se problem nastavi, obratite se ovlašćenom servisnom agentu. |
| | | Temperatura baterije je previsoka jer je motor preopterećen. | Povećajte visinu košenja. Pogledajte <i>Podešavanje visine košenja na stranici 528</i> . Ako se problem ne otkloni, obratite se ovlašćenom servisnom agentu. |
| | 0 | Kvar konektora baterije. | Pregledajte konektor baterije. |
| | 3. | Motor je preopterećen. | Povećajte visinu košenja. Pogledajte <i>Podešavanje visine košenja na stranici 528</i> . |
| | 9. | Greška baterije ili nema signala sa baterije. | Pravilno postavite bateriju u proizvod i pregledajte konektor baterije. Ako LED lampica greške na bateriji treperi, pogledajte <i>Rešavanje problema punjača akumulatora na stranici 531</i> . Ako se problem ne otkloni, obratite se ovlašćenom servisnom agentu. |
| | 8. | Baterija je slaba. | Napunite bateriju. Pogledajte <i>Punjenje akumulatora na stranici 528</i> . |
| | 12 | Procedura paljenja nije pravilno obavljena. Ručica kočnice motora je aktivirana pre pokretanja motora. | Otpustite ručicu kočnice motora i sačekajte oko 5 sekundi. Ponovo gurnite ručicu kočnice motora nadole da biste pokrenuli proizvod. |
| Druge greške. | Ako se pojave druge greške, okrenite bezbednosni ključ u položaj 0, uklonite bateriju i obratite se ovlašćenom servisnom agentu. | | |

Transport, skladištenje i odlaganje

Uvod



UPOZORENJE: Kako biste sprečili slučajno pokretanje tokom transporta i skladištenja, okrenite bezbednosni ključ u položaj 0, uklonite akumulator i sačekajte najmanje 5 sekundi.

Stavljanje proizvoda u položaj za transport

1. Uklonite hvatač trave i uverite se da je prazan.
2. Okrenite točkice za zabavljanje na ručicama ulevo do otključanog položaja. (Sl. 45)

3. Gurnite ručku ka zadnjem poklopcu.
4. Okrenite točkice za zabavljanje na ručicama udesno do zaključanog položaja.
5. Okrenite točkice ručice u otključan položaj. (Sl. 46)
6. Preklopite ručku nadole dok ne čujete klik. (Sl. 47)

Pogledajte *Stavljanje proizvoda u položaj za skladištenje na stranici 534* za skladištenje proizvoda.

Transport

- Zahtevi u pogledu transporta opasnih materija primenjuju se na sadržane litijum-jonske akumulatore.

- Za komercijalni transport moraju se poštovati posebni zahtevi koji su navedeni na pakovanju i nalepticama.
- Pobrinite se da se pridržavate propisa za transport opasnih materija prilikom pripreme proizvoda za transport. Lokalni propisi se mogu primenjivati.
- Uvek uklonite akumulator pre transporta.
- Stavite traku na konektore akumulatora i uverite se da se akumulator ne može pomerati tokom transporta.
- Fiksirajte proizvod tokom transporta.

Skladištenje

- Pre skladištenja treba sačekati da se proizvod ohladi.
- Uvek uklonite akumulator pre skladištenja.
- Kako bi se sprečili nesrećni slučajevi, uverite se da akumulator nije povezan na proizvod tokom skladištenja.
- Držite punjač akumulatora u zatvorenom i suvom prostoru.
- Držite akumulator i punjač akumulatora u suvom prostoru gde nema vlage ili mraza.
- Iskopčajte akumulator sa punjača akumulatora tokom skladištenja.
- Ne čuvajte akumulator na mestima gde može doći do statičkog pražnjenja. Ne čuvajte akumulator u metalnoj kutiji.
- Čuvajte proizvod na mestu gde je temperatura između -20 °C i +50 °C.
- Čuvajte akumulator na mestu gde je temperatura između -20 °C i +50 °C i van direktne sunčeve svetlosti.
- Uskladištite punjač akumulatora na suvom mestu zaštićenom od vlage i mraza.
- Pobrinite se da je akumulator čist i napunjen pre skladištenja na duži vremenski period.
- Čuvajte proizvod, akumulator i punjač akumulatora na zaključanom mestu izvan domašaja dece i neovlašćenih osoba.
- Očistite proizvod i uverite se da je hvatač trave prazan.
- Obavljajte poslove održavanja opisane u ovom korisničkom uputstvu. Pogledajte *Održavanje na stranici 530*.
- Obavite kompletan servis pre nego što uskladištite proizvod na duži vremenski period.

Stavljanje proizvoda u položaj za skladištenje



UPOZORENJE: Kako biste sprečili slučajno pokretanje tokom transporta i skladištenja, okrenite bezbednosni ključ u položaj 0, uklonite akumulator i sačekajte najmanje 5 sekundi.

1. Uklonite akumulator.

2. Stavite proizvod u položaj za transport. Pogledajte *Stavljanje proizvoda u položaj za transport na stranici 533*.
3. Pomerite proizvod na mesto za skladištenje.

Skladištenje proizvoda horizontalno na tlu

1. Stavite proizvod u položaj za skladištenje. Pogledajte *Stavljanje proizvoda u položaj za skladištenje na stranici 534*.
2. Postavite hvatač trave. Pogledajte *Postavljanje hvatača trave na stranici 535*.
3. Spustite proizvod horizontalno na tlo. (Sl. 48)

Skladištenje proizvoda vertikalno na tlu

1. Stavite proizvod u položaj za skladištenje. Pogledajte *Stavljanje proizvoda u položaj za skladištenje na stranici 534*.
2. Podignite proizvod držeći ga za tačke za podizanje na ručki i spustite ga vertikalno na ravnu površinu. (Sl. 49)



UPOZORENJE: Ne podižite proizvod držeći ga za poklopac košenja. Nož je veoma oštar i lako dolazi do posekotina.

3. Postavite hvatač trave. Pogledajte *Postavljanje hvatača trave na stranici 535*.
4. Uverite se da je proizvod stabilan i da 2 oslonca dodiruju tlo.
5. Spustite proizvod vertikalno na tlo. (Sl. 50)

Skladištenje proizvoda vertikalno na isporučenoj kuki



UPOZORENJE: Okačite proizvod na zid samo pomoću isporučene kuke.

1. Postavite isporučenu kuku. Pogledajte *Postavljanje kuke na zid na stranici 527*.
2. Stavite proizvod u položaj za skladištenje. Pogledajte *Stavljanje proizvoda u položaj za skladištenje na stranici 534*.
3. Podignite proizvod držeći ga za tačke za podizanje na ručki. (Sl. 49)



UPOZORENJE: Ne podižite proizvod držeći ga za poklopac košenja. Nož je veoma oštar i lako dolazi do posekotina.

4. Okačite proizvod vertikalno na isporučenoj kuki. Pogledajte *Postavljanje kuke na zid na stranici 527*. (Sl. 51)
5. Uverite se da proizvod visi pravilno i da je stabilno oslonjen na 2 šipke kuke.

6. Postavite hvatač trave. Pogledajte *Postavljanje hvatača trave na stranici 535*.

Postavljanje hvatača trave

- Pričvrstite hvatač trave na žleb na prednjem delu proizvoda. (Sl. 52)
- Gurnite donji deo hvatača trave ka tački za podizanje dok ne čujete klik. (Sl. 53)

Odlaganje

Simboli na proizvodu ili pakovanju ukazuju na to da se ovim proizvodom ne može rukovati kao otpadom iz domaćinstva. On se mora odneti u odgovarajući reciklažni pogon za obnavljanje električne i elektronske opreme.

Starajući se da se na odgovarajući način pobrinite za ovaj proizvod, možete da pomognete da se ublaži

mogući negativni uticaj na životnu sredinu i ljude, do kojeg bi u suprotnom došlo u slučaju nepravilnog odlaganja ovog proizvoda na otpad. Za detaljnije informacije o recikliranju ovog proizvoda, obratite se vašoj opštini, „Gradskoj čistoći“ ili osoblju u prodavnici u kojoj ste proizvod kupili.

(Sl. 54)

Samo za zemlje EU: Prema Direktivi 2006/66/EZ, neispravni ili korišćeni akumulatori moraju se sakupiti odvojeno i odložiti na otpad na način koji neće naneti štetu životnoj sredini.

Samo za Ujedinjeno Kraljevstvo: Prema Regulativi za otpadne baterije i akumulatore 2009 (SI 2009/890) (kako je izmenjena), akumulatori koji više nisu upotrebljivi moraju se sakupiti odvojeno i odložiti na otpad tako da ne štete životnoj sredini.

Tehnički podaci

Tehnički podaci

| | Aspire LC34-P4A |
|---|------------------------|
| Motor košenja | |
| Tip motora | BLDC (bez četkica) 18V |
| Brzina motora – nominalna, o/min | 3000 |
| Brzina motora – veliko opterećenje, o/min | 3500 |
| Izlazna snaga motora – maks. kW | 0,7 |
| Izlazna snaga motora – nominalna, kW | 0,5 |
| Pogonski motor | |
| Izlazna snaga motora – nominalna, kW | N/A |
| Brzina samostalnog hoda, km/h | N/A |
| Nivoi podešavanja brzine | N/A |
| Težina | |
| Masa bez kese (bez akumulatora), kg | 11,5 |
| Masa sa kesom (sa 1x P4A 18-B72), kg | 13,5 |
| Akumulator | |
| Vrsta akumulatora | Litijum-jonski |
| Vreme rada akumulatora | |
| Vreme rada akumulatora, min ⁹³ | 60 |
| Emisija buke⁹⁴ | |
| Nivo zvučne snage, mereno dB (A) | 86 |

⁹³ (slobodan rad) sa aktiviranim standardnim režimom, sa jednim akumulatorom od 4,0 Ah (P4A 18-B72).

⁹⁴ Emisije buke u životnoj sredini merene kao zvučna snaga (L_{WA}) u skladu sa direktivom 2000/14/EZ.

| | |
|---|------------------------|
| | Aspire LC34-P4A |
| Nivo zvučne snage, garantovano L _{WA} dB (A) | 87 |
| Nivoi zvuka ⁹⁵ | |
| Nivo zvučnog pritiska na uho rukovaoca, dB (A) | 74 |
| Nivoi vibracije ⁹⁶ | |
| Ručka, m/s ² | 0,5 |
| Oprema za košenje | |
| Visina košenja, mm | 30–65 |
| Širina košenja, cm | 34. |
| Standard noža | Combi 5375561-10 |
| Oprema za nož | N/A |
| Kapacitet hvatača trave, l | 30. |

Odobreni akumulatori

Ovaj proizvod može da radi sa svim **POWER FOR ALL** akumulatorima. Za najbolje performanse preporučuje se da koristite akumulatore od minimalo 4 Ah.

| Akumulator | P4A 18-B45 | P4A 18-B72 |
|------------------------------|----------------|----------------|
| Tip | Litijum-jonski | Litijum-jonski |
| Kapacitet akumulatora, Ah | 2,5 | 4,0 |
| Nazivni napon, V | 18 | 18 |
| Težina, kg | 0,35 | 0,65 |
| Broj ćelija (litijum-jonske) | 5. | 10. |

Odobreni punjači baterije

| Punjač baterije | P4A 18-C70 |
|-----------------|------------|
| Ulazni napon, V | 220–240 |
| Frekvencija, Hz | 50–60 |
| Snaga, W | 70 |

⁹⁵ Prijavljeni podaci o nivou pritiska buke imaju nepouzdanost (K) od 1,5 dB(A).

⁹⁶ Prijavljeni podaci o nivou vibracije imaju nepouzdanost (K) od 1,5 m/s². Deklarisana ukupna jačina vibracija izmerena je u skladu sa standardom EN 62841-4-3, Aneks I, i može da se koristi za poređenje mašina i za preliminarnu ocenu izloženosti.

Deklaracija o usaglašenosti

EU deklaracija o usaglašenosti

Mi, **Husqvarna AB**, SE-561 82 Huskvarna, Švedska, tel:
+46-36-146500, izjavljujemo pod punom odgovornošću
da je proizvod:

| | |
|-----------------------|------------------------------------|
| Opis | Kosačica za travu |
| Marka | Husqvarna |
| Tip/model | Aspire LC34-P4A |
| Identifikacija | Serijski brojevi od 2022 i nadalje |

su u potpunosti usaglašeni sa sledećim EU direktivama i propisima:

| Propis | Opis |
|------------|---|
| 2006/42/EZ | „koji se odnose na mašine“ |
| 2014/30/EU | „koji se odnose na elektromagnetsku kompatibilnost“ |
| 2000/14/EZ | „koji se odnose na emisiju buke u okruženju“ |
| 2011/65/EU | „koji se odnose na ograničenje upotrebe određenih opasnih supstanci u električnoj i elek-tronskoj opremi“ |

i da su sledeći standardi i/ili tehničke specifikacije primenjeni: EN 62841-1:2015/AC:2015, EN IEC 62841-4-3:2021/A11:2021, EN ISO 12100:2010, EN 55014-1:2021, EN 55014-2:2021, EN IEC 61000-6-2:2019, EN IEC 61000-6-3:2021, EN IEC 63000:2018

Ovlašćeno telo: 0404, RISE SMP Svensk Maskinprovning AB, Box 4053, SE-904 03 Umeå, Sweden je sertifikovalo usaglašenost sa direktivom veća 2000/14/EC, postupak za procenu usklađenosti: Aneks VI.

Za informacije o emisiji buke pogledajte *Tehnički podaci na stranici 535*.

Huskvarna, 2022-10-24



Claes Losdal, menadžer razvoja / baštenski proizvodi,
Husqvarna AB

Odgovoran za tehničku dokumentaciju



Copyright © 2012–2020 STMicroelectronics

Garancija ne pokriva kvarove koji su rezultat uobičajenog trošenja i habanja, nemara, nepravilne upotrebe, neovlašćene popravke ili priključenja usisnog aparata na pogrešan napon.

Sva prava zadržana.

Redistribucija i upotreba u izvornom i binarnom obliku, sa ili bez izmene, su dozvoljeni pod uslovom da su ispunjeni sledeći uslovi:

- Redistribucije izvornog koda moraju zadržati gorenavedeno obaveštenje o autorskim pravima, ovu listu uslova i sledeće odricanje odgovornosti.
- Redistribucije u binarnom obliku moraju da reprodukuju gorenavedeno obaveštenje o autorskim pravima, ovu listu uslova i sledeće odricanje odgovornosti u dokumentaciji i/ili drugim materijalima koji se prilažu uz distribuciju.
- Zabranjeno je korišćenje naziva kompanije STMicroelectronics i naziva njenih saradnika za preporučivanje ili promovisanje proizvoda izvedenih iz ovog softvera bez posebne prethodne dozvole u pisanom obliku.

OVAJ SOFTVER OBEZBEDUJU VLASNICI AUTORSKIH PRAVA I SARADNICI „TAKAV KAKAV JESTE“ I BEZ IKAKVIH GARANCIJA, IZRIČITIH ILI PODRAZUMEVANIH, UKLJUČUJUĆI BEZ OGRANIČENJA PODRAZUMEVANE GARANCIJE U VEZI SA PODESNOŠĆU ZA PRODAJU I PRIKLADNOŠĆU ZA ODREĐENU NAMENU. VLASNIK AUTORSKIH PRAVA ILI SARADNICI NI U KOM SLUČAJU NEĆE BITI ODGOVORNI NI ZA KAKVU DIREKTNU, POSREDNU, SLUČAJNU, POSEBNU, EGZEMPLARNU ILI POSLEDIČNU ŠTETU (UKLJUČUJUĆI BEZ OGRANIČENJA NABAVLJANJE ZAMENSKE ROBE ILI USLUGA, GUBITAK KORIŠĆENJA, PODATAKA ILI PROFITA, KAO I PREKID POSLOVANJA) MA KAKO ONA BILA IZAZVANA NITI PREMA BILO KAKVOJ TEORIJI ODGOVORNOSTI, BILO PO UGOVORU, STROGOJ ODGOVORNOSTI ILI DELIKTU (UKLJUČUJUĆI NEMAR ILI DRUGO) KOJA NASTANE NA BILO KOJI NAČIN USLED KORIŠĆENJA OVOG SOFTVERA, ČAK I AKO POSTOJI OBAVEŠTENJE O MOGUĆNOSTI TAKVE ŠTETE.

Apache licence 2.0

Copyright © 2009-2019 Arm Limited. Sva prava zadržana.

Verzija 2.0, januar 2004. godine <http://www.apache.org/licenses/>

ODREDBE I USLOVI ZA UPOTREBU, REPRODUKCIJU I DISTRIBUCIJU

1. Definicije.

„Licenca“ označava odredbe i uslove za upotrebu, reprodukciju i distribuciju na način definisan u Odeljcima 1 do 9 ovog dokumenta. „Davalac licence“ označava vlasnika autorskih prava ili lice ovlašćeno od strane vlasnika autorskih prava koje daje Licencu. „Pravno lice“ označava zajednicu delujućeg lica i svih drugih lica koja vrše kontrolu, koja su pod kontrolom ili su pod zajedničkom kontrolom sa tim licem. Za potrebe ove definicije, „kontrola“ znači (i) moć, direktnu ili indirektnu, da izazove rukovođenje ili upravljanje takvim licem, bilo ugovorom ili na drugi način, ili (ii) vlasništvo od pedeset posto (50%) ili više otvorenih akcija, ili (iii) stvarno vlasništvo nad takvim licem. „VI“ (ili „Vaš“) označava pojedinca ili Pravno lice koje koristi dozvole date ovom Licencom. „Izvorni“ oblik označava željeni oblik za unošenje izmena, uključujući bez ograničenja izvorni kod softvera, izvor dokumentacije i datoteke za konfiguraciju. „Objektni“ oblik označava bilo koji oblik koji je rezultat mehaničke transformacije ili prevoda izvornog oblika, uključujući bez ograničenja objektni oblik, generisanu dokumentaciju i razgovore sa drugim vrstama medijuma. „Delo“ označava autorsko delo, bilo u izvornom ili objektnom obliku, koje je dostupno pod Licencom, kao što je naznačeno obaveštenjem o autorskim pravima koje je uključeno ili priloženo uz delo (primer je naveden u Dodatku ispod). „Izvedena dela“ označavaju svako delo, bilo u izvornom ili objektnom obliku, koje je zasnovano na delu (ili izvedeno iz njega) i za koje uredničke revizije, beleške, razrade ili druge izmene predstavljaju, u celini, originalno autorsko delo. Za potrebe ove Licence, Izvedena dela ne uključuju dela koja ostaju odvojiva od, ili su samo povezana (ili poveziva po nazivu) sa interfejsima Dela i Izvedenih dela. „Doprinos“ označava svako autorsko delo, uključujući originalnu verziju Dela i sve izmene ili dodatke tog dela ili njegovih izvedenih dela, koje je namerno prosleđeno Davaocu licence radi uključivanja u Delo od strane vlasnika autorskih prava ili pojedinca ili Pravno lice ovlašćeno za prosleđivanje u ime vlasnika autorskih prava. Za potrebe ove definicije, „prosleđeno“ označava bilo koji oblik elektronske, verbalne ili pisane komunikacije poslate Davaocu licence ili njegovim predstavnicima uključujući bez ograničenja komunikaciju na elektronskim listama za slanje, sistemima za kontrolu izvornog koda i sistemima za praćenje problema kojima upravlja Davalac licence, ili u njegovo ime, u svrhu diskusije i poboljšanja Dela, ali isključujući komunikaciju koja je vidno označena ili na drugi način naznačena od strane vlasnika autorskih prava kao „Nije doprinos“. „Saradnik“ označava Davaoca licence i svakog pojedinca ili pravno lice u čije ime je Davalac licence primio Doprinos i naknadno uključio u delo.

2. Davanje Licence za autorska prava.

U skladu sa odredbama i uslovima ove Licence, svaki Saradnik Vam ovim putem daje trajnu, svetsku, neekskluzivnu, besplatnu, bez naknade, neopozivu licencu za autorska prava za reprodukciju, pripremu

Izvedenih dela, javno prikazivanje, javno izvođenje, podlicenciranje i distribuiranje Dela i takvih Izvedenih dela u izvornom ili objektnom obliku.

3. Davanje Licence za patent.

U skladu sa odredbama i uslovima ove Licence, svaki Saradnik Vam ovim putem daje trajnu, svetsku, neekskluzivnu, besplatnu, bez naknade, neopozivu (osim kako je navedeno u ovom odeljku) licencu za patent da napravite, izradite, koristite, ponudite da prodate, prodate, uvozite i na drugi način prenesete Delo, pri čemu se takva licenca primenjuje samo na ona patentna potraživanja koja može da licencira takav Saradnik, a koja su nužno prekršena njihovim Doprinosom(ima) samim ili kombinacijom njihovog(ih) Doprinoso sa Delom kome je(su) prosleđen(i) takav(i) doprinos(i). Ako pokrenete patentni sudski spor protiv bilo kog lica (uključujući unakrsnu tužbu ili protivtužbu u tužbi) tvrdeći da Delo ili Doprinos inkorporiran u delo predstavlja direktnu ili doprinosnu povredu patenta, onda će sve patentne licence koje su Vam dodeljene po ovoj Licenci za to delo okončati danom podnošenja takvog sudskog spora.

4. Redistribucija.

Možete da reprodukujete i distribuirate kopije Dela ili njegovih Izvedenih dela na bilo kom medijumu, sa ili bez izmena, i u izvornom ili objektnom obliku, pod uslovom da ispunjavate sledeće uslove:

- Bilo kom drugom primaocu Dela ili Izvedenih dela morate da date kopiju ove Licence; i
- Morate da omogućite da sve izmenjene datoteke nose istaknuta obaveštenja u kojima se navodi da ste promenili datoteke; i – morate da sačuvate, u izvornom obliku bilo kog Izvedenog dela koje distribuirate, sva obaveštenja o autorskim pravima, patentima, žigovima i atribucijama iz Izvornog oblika Dela, izuzev onih obaveštenja koja se ne odnose na bilo koji deo Izvedenih dela; i
- Ako Delo uključuje tekstualnu datoteku „**OBAVEŠTENJE**“ kao deo svoje distribucije, onda svako Izvedeno delo koje distribuirate mora da sadrži čitljivu kopiju obaveštenja o atribuciji koja se nalazi u takvoj datoteci **OBAVEŠTENJE**, isključujući ona obaveštenja koja se ne odnose ni na jedan deo Izvedenih dela, na najmanje jednom od sledećih mesta: u tekstualnoj datoteci **OBAVEŠTENJE** koja se distribuirala kao deo Izvedenih dela; u okviru izvornog oblika ili dokumentacije, ako se prilaže zajedno sa Izvedenim radovima; ili, u okviru prikaza generisanog od strane Izvedenih dela, ako i gde god se takva obaveštenja trećih strana obično pojavljuju. Sadržaj datoteke **OBAVEŠTENJE** je samo u informativne svrhe i ne menja Licencu. Možete da dodate sopstvena obaveštenja o atribuciji u okviru Izvedenih dela koja distribuirate, zajedno sa ili kao dodatak tekstu **OBAVEŠTENJE** iz Dela, pod uslovom da se takva dodatna obaveštenja o atribuciji ne mogu tumačiti kao izmena Licence. Svojim izmenama možete da dodate sopstvenu izjavu o autorskim pravima i možete da obezbedite dodatne

ili različite uslove licence za korišćenje, reprodukciju ili distribuciju Vaših izmena, ili za bilo koje takvo Izvedeno delo u celini, pod uslovom da su Vaše korišćenje, reprodukcija i distribucija Dela inače u skladu sa uslovima navedenim u ovoj Licenci.

5. Prosleđivanje Doprinoso.

Osim ako izričito ne navedete drugačije, za svaki Doprinos koji ste namerno podneli Davaocu licence radi uključivanja u Delo važiće uslovi i odredbe ove Licence, bez ikakvih dodatnih odredbi ili uslova. Bez obzira na gorenavedeno, ništa u ovom dokumentu nema prednost niti menja uslove bilo kog posebnog ugovora o licenci koji ste možda sklopili sa Davaocem licence u vezi sa takvim Doprinosima.

6. Zaštićeni znakovi.

Ova Licenca ne daje dozvolu za korišćenje trgovačkih naziva, zaštitnih znakova, servisnih znakova ili naziva proizvođača Davaoca licence, osim ako je to potrebno za razumnu i uobičajenu upotrebu za opisivanje porekla Dela i reprodukciju sadržaja datoteke **OBAVEŠTENJE**.

7. Odricanje garancije.

Osim ako to ne zahteva važeći zakon ili ako nije dogovoreno u pisanom obliku, Davalac licence obezbeđuje Delo (a svaki Saradnik daje svoje Doprinoso) u obliku „**TAKAV KAKAV JESTE**“, **BEZ GARANCIJA ILI USLOVA BILO KOJE VRSTE**, bilo izričitih ili podrazumevanih, uključujući bez ograničenja bilo koje garancije ili uslove u vezi sa **PRAVOM, NEKRŠENJEM PRAVA, PODESNOŠĆU ZA PRODAJU ILI PRIKLADNOŠĆU ZA ODREĐENU NAMENU**. Vi ste isključivo odgovorni za utvrđivanje prikladnosti korišćenja ili redistribucije Dela i preuzimate sve rizike povezane sa Vašim korišćenjem dozvola navedenih u ovoj Licenci. 8. Ograničenje odgovornosti. Ni u kom slučaju i ni po jednoj pravnoj teoriji, bilo po deliktu (uključujući nemar), ugovoru ili na drugi način, osim ako to ne zahteva važeći zakon (kao što su namerne i krajnje nemarne radnje) ili ako tako nije dogovoreno u pisanom obliku, nijedan Saradnik neće biti odgovoran Vama za štetu, uključujući bilo kakvu direktnu, posrednu, posebnu, slučajnu ili posledičnu štetu koja nastane kao rezultat ove Licence ili usled korišćenja ili nemogućnosti korišćenja Dela (uključujući bez ograničenja na štetu zbog gubitka dobre volje, obustave rada, kvar ili neispravnost računara, ili bilo koja i sve druge komercijalne štete ili gubici), čak i ako je takav Saradnik obavešten o mogućnosti takve štete.

9. Prihvatanje garancije ili dodatne odgovornosti.

Prilikom redistribucije Dela ili njegovih Izvedenih dela, možete da ponudite i naplatite naknadu za prihvatanje podrške, garancije, obeštećenja ili drugih obaveza odgovornosti i/ili prava u skladu sa ovom Licencom. Međutim, prihvatanjem takve obaveze, možete da postupate samo u svoje lično ime i na svoju isključivu odgovornost, a ne u ime bilo kog drugog Saradnika, i samo ako pristanete da svakog Saradnika

obeštetite, branite i oslobodite bilo kakve odgovornosti
ili potraživanja protiv takvog Saradnika zbog vašeg

prihvatanja takve garancije ili dodatne odgovornosti.
KRAJ ODREDBI I USLOVA

Registrovani žigovi

QR kod registrovani je žig kompanije DENSO WAVE
INCORPORATED u Japanu.

Innehåll

| | | | |
|-------------------|-----|---|-----|
| Introduktion..... | 541 | Transport, förvaring och kassering..... | 554 |
| Säkerhet..... | 542 | Tekniska data..... | 555 |
| Montering..... | 548 | Försäkran om överensstämmelse..... | 558 |
| Drift..... | 549 | Licenser..... | 559 |
| Underhåll..... | 550 | Registrerade varumärken..... | 561 |
| Felsökning..... | 552 | | |

Introduktion

Produktbeskrivning

Produkten är en rotorgräsklippare som styrs av en gående person. Gräset samlas i en gräsupsamlare. Du kan ta bort gräsupsamlaren om du vill att gräset ska komma ut mitt bak. Montera en mulchingplugg om du vill klippa ner gräset för gödning.

Avsedd användning

Använd produkten för att klippa gräs. Använd inte produkten till andra uppgifter.

Produktöversikt

(Fig. 1)

1. Motorbromsbygel
2. Startspärr
3. Handtag/styre
4. Låsvred på styret
5. Handtag
6. Gräsupsamlare
7. Mulchingplugg
8. Bakre kåpa
9. Lysdiod på produkten
10. Varningsindikator (lysdiol för fel)
11. Säkerhetsnyckel
12. Batterifack
13. Batterilock
14. Symboler
15. Klipphöjdsspak
16. Batteri (tillbehör)
17. Batteriladdare (tillbehör)
18. Röd lysdiod
19. Grön lysdiod
20. Lyftpunkter
21. Fäste
22. Bruksanvisning

Snabbguide

Skanna QR-koden för att få råd om hur du använder produkten.



Symboler på produkten

- (Fig. 2) varning
- (Fig. 3) Läs instruktionerna.
- (Fig. 4) **WARNING** – Se upp för föremål som slungas iväg.
- (Fig. 5) Håll kringstående på avstånd.
- (Fig. 6) **WARNING** – Håll händer och fötter borta från knivarna.
- (Fig. 7) **WARNING** – Koppla bort batteriet före underhåll.
- (Fig. 8) Produkten eller dess förpackning är inte hushållsavfall. Återvinn den vid en återvinningsstation för elektrisk och elektronisk utrustning.
- (Fig. 9) Miljömärkning för bulleremission enligt direktiv och bestämmelser för EU och Storbritannien samt New South Wales-lagen "Protection of the Environment Operations (Noise Control) Regulation 2017". Produktens

garanterade ljudeffektnivå anges i *Tekniska data på sida 555* och på etiketten.

(Fig. 20)

Använd endast batteriet i produkter från POWER FOR ALL System-partner.

(Fig. 10) Utrustningen överensstämmer med gällande EG-direktiv.

(Fig. 11) Produkten överensstämmer med gällande brittiska direktiv.

(Fig. 12) Produkten har droppskydd.

(Fig. 13) Stoppa genom att släppa motorbromsbygeln.

(Fig. 14) Tryck motorbromsbygeln för att starta drivningen av knivarna.

(Fig. 15) Kod som kan skannas.

(Fig. 18) Vrid för att låsa eller låsa upp.

(Fig. 21)

Skydda batteriet mot värme, t.ex. mot kontinuerligt starkt solljus, eld, smuts, vatten och fukt. Det finns risk för explosion och kortslutning.

(Fig. 22)

(Fig. 16) Använd och förvara endast batteriladdaren inomhus.

(Fig. 17) Dubbelisolerad.

Märkning på produkten

(Fig. 23)

FARA – Håll händer och fötter borta.

Produktansvar

Enligt lagstiftningen för produktansvar ansvarar vi inte för skador som vår produkt orsakar om:

- produkten repareras felaktigt
- produkten repareras med delar som inte kommer från tillverkaren eller inte har godkänts av tillverkaren
- produkten har ett tillbehör som inte kommer från tillverkaren eller inte har godkänts av tillverkaren
- produkten inte repareras vid ett godkänt servicecenter eller av en godkänd person.

Notera: Övriga symboler/etiketter på produkten avser specifika krav för certifieringar på vissa marknader.

Symboler på batteriet eller på batteriladdaren

(Fig. 19)

Återvinn produkten vid en återvinningsstation för elektrisk och elektronisk utrustning. (Gäller endast Europa)

Säkerhet

Säkerhetsdefinitioner

Varningar, försiktighetsåtgärder och anmärkningar används för att betona speciellt viktiga delar i bruksanvisningen.



WARNING: Används om det finns risk för skador eller dödsfall för användaren eller kringstående om anvisningarna i bruksanvisningen inte följs.



OBSERVERA: Används om det finns risk för skada på produkten, annat material eller det angränsande området om anvisningarna i bruksanvisningen inte följs.

Notera: Används för att ge mer information som är nödvändig i en viss situation.

Allmänna säkerhetsvarningar



WARNING: Gå igenom alla säkerhetsvarningar, instruktioner, illustrationer och specifikationer som medföljer produkten. Om du inte följer instruktionerna nedan kan det leda till elektriska stötar, brand och/eller allvarliga skador.

Spara alla varningar och instruktioner som referens. I varningarna syftar begreppet "produkten" på en produkt som antingen är ansluten till en strömkälla (med sladd) eller drivs av batteri (sladdlöst).

Säkerhet i arbetsområdet

- **Arbetsområdet ska hållas välordnat och välbelyst.** I rörliga eller mörka arbetsområden händer det lätt olyckor.
- **Använd inte produkten i explosiva miljöer, t.ex. i närvaro av brandfarliga vätskor, gaser eller damm.** Gnistor från produkten kan antända damm eller ångor.
- **Håll barn och åskådare på avstånd när du använder produkten.** Om du blir distraherad kan du tappa kontrollen.

Elsäkerhet

- **Produktens stickpropp måste passa i eluttaget. Förändra aldrig stickkontakten på något sätt. Använd inga adapterkontakter med jordade produkter.** Oförändrade stickkontakter och motsvarande vägguttag minskar riskerna för elektriska stötar.
- **Undvik kroppskontakt med jordade ytor, t.ex. rör, kylare, spisar och kylskåp.** Risken för elektriska stötar ökar om kroppen är jordad.
- **Utsätt inte produkter för regn eller väta.** Om vatten tränger in i produkten ökar risken för elstötar.
- **Använd inte sladden på fel sätt. Använd inte sladden för att bära eller dra produkten eller för att koppla ur produkten från eluttaget. Håll sladden borta från värme, olja, vassa kanter och rörliga delar.** Skadade eller trassliga sladdar ökar risken för elektriska stötar.
- **När du använder en produkt utomhus ska du även använda en förlängningssladd för utomhusbruk.** Om du använder en sladd för utomhusbruk minskar risken för elektriska stötar.
- **Om det är oundvikligt att köra en produkt i en fuktig miljö ska du använda en jordfelsbrytare.** Med jordfelsbrytare minskar risken för elektriska stötar.

Personssäkerhet

- **Var på din vakt, var uppmärksam på vad du gör och använd sunt förnuft när du använder produkten.** Använd inte produkten om du är trött, om du har druckit alkohol eller om du har tagit andra droger eller mediciner. Ett ögonblick av uppmärksamhet när du använder produkter kan leda till allvarlig personskada.
- **Använd personlig skyddsutrustning. Använd alltid ögonskydd.** Lämplig skyddsutrustning som ansiktsmask, halkfria skyddsskor, hjälm eller hörselskydd minskar risken för personskador.
- **Förebygg att elverktyget startar oavsiktligt. Se till att strömbrytaren är frånslagen innan du ansluter elverktyget till en strömkälla och/eller ett batteri och innan du tar upp eller bär produkten.** Risken för olyckor är stor om du bär produkter med fingret på strömbrytaren eller tillför ström till produkter med strömbrytaren påslagen.
- **Ta bort eventuella justeringsnycklar eller skiftnycklar innan du slår på produkten.** Skiftnycklar som

lämnas kvar i produktens rörliga delar kan orsaka personskada.

- **Sträck dig inte för långt. Ha alltid ett stadigt fotfäste och god balans.** Det ger dig större kontroll över produkten i oväntade situationer.
- **Klä dig rätt. Använd inte löst sittande kläder eller smycken. Håll hår och kläder borta från rörliga delar.** Lösa kläder, smycken eller långt hår kan fastna i rörliga delar.
- **Om det finns anordningar för anslutning av enheter för uppsamling av damm, se då till att dessa är ordentligt anslutna och att de används på rätt sätt.** Dammuppsamling kan minska dammrelaterad fara.
- **Tillåt inte dig själv att bli för avslappnad, även om du har erfarenhet av regelbunden användning av produkter, så att du börjar strunta i produktsäkerheten.** En slarvig handling kan orsaka allvarlig skada på mindre än en sekund.

Produktens användning och skötsel

- **Använd inte onödig kraft med produkten. Använd den produkt som är rätt för aktuellt syfte.** Med rätt produkt utför du ett bättre och säkrare jobb med den hastighet som produkten är utformad för.
- **Använd inte produkten om du inte kan starta och stänga av den med strömbrytaren.** Produkter som inte kan regleras med strömbrytaren är farliga och måste repareras.
- **Koppla bort kontakten från strömkällan och/eller ta ut batteriet (om det kan tas bort) innan du gör några justeringar, byter tillbehör eller förvarar produkter.** Sådana förebyggande säkerhetsåtgärder minskar risken för att produkten startas oavsiktligt.
- **Förvara produkter utom räckhåll för barn när de inte används. Se till att personer som inte tidigare har hanterat produkter eller som inte har läst instruktionerna inte använder dem.** Produkter är farliga om de används av ovana användare.
- **Underhåll produkter och tillbehör. Kontrollera att rörliga delar ligger i linje och inte kärvar. Kontrollera även om det finns skadade delar eller om det föreligger andra förhållanden som kan påverka produktfunktionen. Om produkten är skadad ska den repareras innan den används igen.** Många olyckor sker på grund av att rätt underhåll inte har utförts på produkter.
- **Håll kapverktyg skarpa och rena.** Väl underhållna klippande verktyg med vassa eggar kärvar mer sällan och är lättare att kontrollera.
- **Använd produkten och tillbehör enligt de här instruktionerna. Tänk på att ta hänsyn till arbetsförhållandena och det arbete som ska utföras.** Användning av produkten i andra syften än de avsedda kan resultera i en farlig situation.
- **Håll handtagen och greppytorna torra, rena och fria från olja och fett.** Hala handtag och greppytor innebär att det inte är säkert att hantera och styra produkten i oväntade situationer.

Använda och underhålla batteridrivna verktyg

- **Ladda endast upp med den laddare som anges av tillverkaren.** En laddare som är lämplig för en typ av batteripack kan utgöra en brandrisk när den används med ett annat batteripack.
- **Använd endast produkter med särskilt avsedda batteripack.** Användning av andra batteripack kan innebära risk för skada och brand.
- **När batteripacket inte används ska du hålla det borta från andra metallföremål, som gem, mynt, nycklar, spikar, skruvar och andra små metallföremål, som kan skapa en anslutning mellan kontakterna.** Kortslutning av batteriets kontakter kan orsaka brännskador eller brand.
- **Vid felaktig användning kan vätska spruta ut från batteriet.** Undvik kontakt. Om kontakt inträffar av misstag ska du skölja med vatten. Om du får vätska i ögonen ska du uppsöka läkare. Vätska som sprutar ut från batteriet kan orsaka irritation eller sveda.
- **Använd inte ett batteripack eller ett verktyg som är trasigt eller modifierat.** Skadade eller modifierade batterier kan fungera på ett oväntat sätt vilket kan leda till brand, explosion eller risk för skada.
- **Utsätt inte ett batteripack eller ett verktyg för brand eller extrema temperaturer.** Om det utsätts för brand eller temperaturer över 130 °C kan en explosion inträffa.
- **Följ alla anvisningar för laddning och ladda inte batteripacket eller verktyget utanför det temperaturintervall som anges i instruktionerna.** Felaktig laddning eller temperaturer utanför det specificerade området kan skada batteriet och öka risken för brand.

Tjänst

- **Låt en kvalificerad reparatör, som endast använder identiska reservdelar, underhålla produkten.** På så sätt garanterar du att säkerheten för produkten upprätthålls.
- **Utför aldrig underhåll på skadade batteripack.** Underhåll på batteripack bör endast utföras av tillverkaren eller auktoriserade tjänsteleverantörer.

Säkerhetsvarningar för gräsklippare

- **Använd inte gräsklipparen i dåligt väder, i synnerhet inte vid risk för blixtnedslag.** Det minskar risken att träffas av blixten.
- **Kontrollera om det finns vilda djur i området där gräsklipparen ska användas.** Vilda djur kan skadas av gräsklipparen under drift.
- **Kontrollera noga området där gräsklipparen ska användas och ta bort alla stenar, grejor, kablar, ben och andra främmande föremål.** Utslungade föremål kan orsaka personskador.
- **Innan du använder gräsklipparen är det viktigt att kontrollera att kniven och knivmonteringen inte är slitna eller skadade.** Slitna eller skadade delar ökar skaderisken.

- **Kontrollera gräsupsamlaren ofta med avseende på slitage eller fel.** En sliten eller skadad gräsupsamlare kan öka risken för personskador.
- **Se till att skydden sitter på plats. Skydden måste vara i funktionsdugligt skick och vara korrekt monterade.** Skydd som är lösa, skadade eller inte fungerar som de ska kan leda till personskador.
- **Håll alla kallluftsintag borta från skräp.** Blockerade luftintag och skräp kan leda till överhettning eller brandrisk.
- **Använd alltid halksäkra skyddsskor när du använder gräsklipparen. Använd aldrig gräsklipparen barfota eller med öppna sandaler.** Detta minskar risken för skador på fötterna av den rörliga kniven.
- **Ha alltid på dig långbyxor när du använder gräsklipparen.** Exponerad hud ökar risken för skador från utkastade föremål.
- **Använd inte gräsklipparen i vått gräs. Gå – spring aldrig.** Detta minskar risken för att halka och falla, som kan leda till personskador.
- **Kör inte gräsklipparen i för branta lutningar.** Detta minskar risken för att du tappar kontrollen, halkar eller ramlar, som kan resultera i personskador.
- **När du arbetar i lutningar ska du alltid stå stadigt, alltid arbeta tvärs över lutningen snarare än uppifrån och ner och vara oerhört försiktig när du byter riktning.** Detta minskar risken för att du tappar kontrollen, halkar eller ramlar, som kan resultera i personskador.
- **Var extremt försiktig när du backar eller drar gräsklipparen mot dig. Var alltid uppmärksam på din omgivning.** Då minskar risken för att snubbla under användningen.
- **Vidrör inte knivar eller andra farliga rörliga delar medan de fortfarande är i rörelse.** Detta minskar risken för skador som orsakas av rörliga delar.
- **När du tar bort material som har fastnat eller rengör gräsklipparen måste du se till att alla strömbrytare är avstängda och att strömsladden är frånkopplad.** Övuntade rörelser av gräsklipparen kan leda till allvariga personskador.

Jordfelsbrytare

- Använd en jordfelsbrytare med en utlösningström på högst 30 mA.

Allmänna säkerhetsanvisningar



VARNING: Läs varningsinstruktionerna nedan innan du använder produkten.

- Denna produkt är farlig om den används på fel sätt, och om du inte är försiktig. Skada eller dödsfall kan inträffa om du inte följer säkerhetsinstruktionerna.
- Denna produkt alstrar ett elektromagnetiskt fält under drift. Detta fält kan under vissa omständigheter ge påverkan på aktiva eller passiva medicinska implantat. För att reducera risken

för omständigheter som kan leda till allvarliga eller livshotande skador rekommenderar vi därför personer med implantat att rådgöra med läkare samt tillverkaren av det medicinska implantatet innan denna produkt används.

- Var alltid försiktig och använd sunt förnuft. Om du inte vet hur du ska använda produkten i en särskild situation ska du stanna den och tala med en Husqvarna-återförsäljare innan du fortsätter.
- Tänk på att användaren kommer att hållas ansvarig för olyckor som involverar andra människor eller deras egendom.
- Håll produkten ren. Se till att du kan läsa skyltar och dekaler tydligt.
- Låt aldrig barn eller personer som inte känner till de här instruktionerna använda produkten. Lokala föreskrifter kan ange en åldersgräns för användning.
- Övervaka alltid en person med nedsatt fysisk eller mental kapacitet som använder produkten. En vuxen person måste vara närvarande hela tiden.
- Använd aldrig produkten om du är trött, sjuk eller om du är påverkad av alkohol, droger eller läkemedel. Detta har en negativ inverkan på din syn, ditt omdöme och din kroppskontroll.
- Använd inte produkten om den är trasig.
- Modifiera aldrig den här produkten och använd den inte om det är möjligt att den har blivit modifierad av andra.

Arbetssäkerhet



VARNING: Läs varningsinstruktionerna nedan innan du använder produkten.

- Använd enbart den här produkten för att klippa gräsmattor. Det är inte tillåtet att använda den för andra uppgifter.
- Använd personlig skyddsutrustning. Se *Personlig skyddsutrustning på sida 545*.
- Se till att du vet hur man snabbt stoppar motorn i en nödsituation.
- Använd inte produkten i regn eller vid blöta förhållanden. Risken för elektriska stötar ökar om vatten kommer in i produkten.
- Använd inte produkten utan att kniven och alla kåpor är korrekt monterade. En felaktigt monterad kniv kan lossna och orsaka personskador.
- Se till att kniven inte slår emot föremål som stenar och rötter. Detta kan göra att kniven skadas och böja motoraxeln. En böjd axel orsakar kraftiga vibrationer och risken för att kniven lossnar blir mycket hög.
- Om kniven träffar ett föremål eller om det uppstår vibrationer ska du omedelbart stanna produkten. Stäng av motorn, vrid säkerhetsnyckeln till 0 och ta ur batteriet. Vänta tills alla rörliga delar står stilla. Kontrollera om det finns några skador på produkten. Dra åt lösa delar. Reparera skador och byt ut

skadade delar. Låt en godkänd serviceverkstad utföra reparationer.

- Fäst aldrig motorbromsbygeln permanent på handtaget när motorn är igång.
- Ställ produkten på ett stabilt plant underlag och starta den. Se till att kniven inte vidrör marken eller andra föremål.
- Håll dig alltid bakom produkten när du använder den.
- Låt alla hjul stå på marken och håll båda händerna på handtaget när du använder produkten. Håll händer och fötter borta från de roterande knivarna.
- Luta inte produkten när du startar motorn eller under användning av produkten.
- Var försiktig när du drar produkten bakåt.
- Lyft aldrig upp produkten när motorn är igång. Om du måste lyfta upp produkten stänger du av motorn, vrider säkerhetsnyckeln till 0 och tar loss batteriet.
- Gå inte baklänges när du använder produkten.
- Stäng av motorn när du behöver luta produkten för transport eller innan du förflyttar dig över ytor utan gräs, till exempel vägar med grus, sten och asfalt.
- Spring inte med produkten när motorn är igång. Gå alltid när du använder produkten.
- Stäng av motorn innan du ändrar klipphöjden. Gör aldrig justeringar med motorn igång.
- Lämna aldrig produkten utanför ditt synfält med motorn igång. Stäng av motorn och se till att skärutrustningen inte roterar.
- Vibrationerna i produkten under drift kan skilja sig från deklarerat vibrationsvärde i *Tekniska data på sida 555*. Skillnaden beror på skillnader i användning av produkten. Om du använder produkten ofta eller under långa perioder bör du ta pauser regelbundet för att förhindra skador till följd av vibrationer.

Säkerhetsinstruktioner för drift

Personlig skyddsutrustning



VARNING: Läs varningsinstruktionerna nedan innan du använder produkten.

- Personlig skyddsutrustning kan inte eliminera skaderisken helt, men den reducerar effekten av en skada vid ett eventuellt olyckstillbud. Be din återförsäljare om hjälp med att välja rätt utrustning.
- Använd kraftiga halksäkra kängor eller skor. Använd inte öppna skor och var inte barfota.
- Använd tjockare långbyxor.
- Använd skyddshandskar vid behov, till exempel när du ansluter, undersöker eller rengör skärutrustningen.
- Vi rekommenderar att du använder hörselskydd.

Säkerhetsanordningar på produkten



VARNING: Läs varningsinstruktionerna nedan innan du använder produkten.

- Använd inte en produkt med defekta säkerhetsanordningar.
- Ta inte bort och gör inga ändringar på säkerhetsanordningar.
- Kontrollera säkerhetsanordningarna regelbundet. Om säkerhetsanordningarna är defekta ska du prata med din Husqvarna serviceverkstad.

Kontrollera klippkåpan

Klippkåpan dämpar vibrationerna och minskar risken för skador orsakade av kniven.

- Undersök klippkåpan för att se till att där inte finns några skador, t.ex. sprickor.

Kontrollera säkerhetsnyckeln

Säkerhetsnyckeln finns under batteriluckan.

Säkerhetsnyckeln kopplar in batteriet som matar motorn med ström.

- Starta och stäng av motorn för att kontrollera säkerhetsnyckeln.
- Om säkerhetsnyckeln fungerar korrekt startar motorn endast när nyckeln är i position 1. (Fig. 24)

Kontrollera motorbromsbygeln

Motorbromsbygeln stänger av motorn. När motorbromsbygeln släpps stannar motorn.

- Starta produkten. Se *Starta produkten på sida 550*.
- Släpp motorbromsbygeln. (Fig. 25)
- Se till att produkten stannar. Om motorn inte stannar inom tre sekunder ska du låta en godkänd Husqvarna-serviceverkstad justera motorbromsen.

Kontrollera startspärren

Gör en kontroll av startspärren för att se till att den hindrar drift av motorn.

1. Tryck motorbromsbygeln i handtagets riktning. Startspärren stoppar rörelsen.
2. Tryck ut startspärren. (Fig. 26)
3. Lossa startspärren och se till att den går tillbaka till ursprungsläget.

Batterisäkerhet



VARNING: Läs alla säkerhetsanvisningar och allmänna anvisningar. Om du inte följer säkerhetsanvisningar och allmänna anvisningar kan det leda till elektriska stötar, brand och/eller allvarliga skador. **Spara**

alla säkerhetsanvisningar och allmänna anvisningar för framtida bruk.

- **De här säkerhetsinstruktionerna gäller endast 18 V laddningsbara litiumjonbatterier för POWER FOR ALL-systemet.**
- **Använd endast det laddningsbara batteriet i produkter från POWER FOR ALL System-partner.** 18 V laddningsbara batterier märkta med POWER FOR ALL är helt kompatibla med följande produkter:
 - Alla produkter i 18 V POWER FOR ALL -batterisystemet.
 - Alla 18 V-produkter från POWER FOR ALL System-partner.
- **Följ batterirekommendationerna i bruksanvisningen för produkten.** Det är bara på så sätt som det laddningsbara batteriet och produkten kan användas utan risk och de laddningsbara batterierna skyddas från farlig överbelastning.
- **Ladda endast batterierna med laddare som rekommenderas av tillverkaren eller POWER FOR ALL System-partner.** En laddare som är lämplig för en typ av batteri kan utgöra en brandrisk när den används med ett annat batteri.
- **Batteriet levereras delvis laddat.** För att säkerställa batteriets fulla kapacitet ska du ladda batteriet helt i batteriladdaren innan du använder elverktyget för första gången.
- **Förvara batteripacken utom räckhåll för barn.**
- **Öppna inte batteriet.** Det finns risk för kortslutning.
- **I händelse av skada eller felaktig användning av batteriet kan det avge ångor. Batteriet kan börja brinna eller explodera.** Se till att området är välventilerat och uppsök läkare om du skulle uppleva några biverkningar. Ångorna kan irritera andningsorganen.
- **Om batteriet används felaktigt eller om det är skadade kan brandfarlig vätska läcka ut från batteriet. Kontakt med denna vätska bör undvikas. Om kontakt inträffar av misstag ska du skölja med vatten. Om vätskan kommer i kontakt med ögon ska du söka läkarvård.** Vätska som sprutar ut från batteriet kan orsaka irritation eller sveda.
- **Om batteriet är skadat kan vätska sprutas ut och täcka närliggande ytor. Kontrollera berörda delar.** Rengör delarna eller byt dem vid behov.
- **Kortslut inte batteripacket.** När batteripacket inte används ska du hålla det borta från andra metallföremål, som gem, mynt, nycklar, spikar, skruvar och andra små metallföremål, som kan skapa en anslutning mellan kontaktarna. Kortslutning av batteriets kontakter kan orsaka brännskador eller brand.
- **Batteriet kan skadas av spetsiga föremål som spikar och skruvmejslar eller genom externt tryck.** En intern kortslutning kan uppstå, vilket kan leda till att batteriet brinner, ryker, exploderar eller överhettas.

- **Utför aldrig underhåll på skadade batteripack.** Underhåll på batteripack bör endast utföras av tillverkaren eller auktoriserade tjänsteleverantörer.
- **Skydda batteriet mot värme, t.ex. mot kontinuerligt starkt solljus, eld, smuts, vatten och fukt.** Det finns risk för explosion och kortslutning.
- **Använd endast batteriet i produkten när omgivningstemperaturen är mellan 0 °C – +40 °C.**
- **Förvara endast batteriet i en omgivningstemperatur mellan -20 °C – +50 °C.** Lämna exempelvis inte batteriet i bilen på sommaren. Vid temperaturer på < 0 °C kan vissa enheter få effektförlust.
- **Ladda endast batteriet vid en omgivningstemperatur mellan 0 °C och +35 °C. Ladda endast det laddningsbara batteriet med USB-kabel vid en omgivningstemperatur mellan +10 °C och +35 °C.** Laddning utanför det här temperaturområdet kan öka risken för skador på batteriet och utgöra en brandrisk.
- **Kontrollera alltid laddaren, kabeln och kontakten före användning. Sluta använda laddaren om du upptäcker skador. Öppna inte laddaren själv och låt endast Husqvarna eller ett auktoriserat servicecenter reparera den och endast med originalreservdelar.** Skadade laddare, kablar och kontakter ökar risken för elektriska stötar.
- **Använd inte laddaren på en lättantändlig yta (t.ex. papper, textilier osv.) eller i en brandfarlig miljö.** Det finns risk för brand eftersom laddaren värms upp under drift.
- **Täck inte över laddarens ventilationshål.** Annars kan laddaren överhettas och inte längre fungera korrekt.
- **Ladda endast upp med den laddare som anges av tillverkaren.** En laddare som är lämplig för en typ av batteripack kan utgöra en brandrisk när den används med ett annat batteripack.
- **I händelse av skada eller felaktig användning av batteriet kan det även avge ångor.** Se till att området är välventilerat och uppsök läkare om du skulle uppleva några biverkningar. Ångorna kan irritera andningsorganen.
- **Vid felaktig användning kan vätska spruta ut från batteriet. Kontakt med denna vätska bör undvikas. Om kontakt inträffar av misstag ska du skölja med vatten. Om vätskan kommer i kontakt med ögon ska du söka läkarvård.** Vätska som sprutar ut från batteriet kan orsaka irritation eller sveda.
- **Produkter som endast sälj i Storbritannien:** Produkten är utrustad med en BS 1363/A-godkänd stickkontakt med intern säkring (ASTA-godkänd enligt BS 1362). Om kontakten inte är lämplig för dina eluttag, ska den stängas av och en lämplig kontakt monteras på plats av en auktoriserad serviceverkstad. Den nya kontakten ska ha samma säkringsklass som den ursprungliga kontakten. Den borttagna kontakten måste kasseras för att undvika risk för elektriska stötar och får aldrig sättas in i ett vägguttag någon annanstans.

Säkerhet, batteriladdare



VARNING: Läs alla säkerhetsanvisningar och allmänna anvisningar. Om du inte följer säkerhetsanvisningar och allmänna anvisningar kan det leda till elektriska stötar, brand och/eller allvarliga skador. **Spara de här instruktionerna på ett säkert ställe.** Använd endast laddaren om du kan utvärdera alla funktioner och utföra dem utan begränsningar eller om du har fått motsvarande instruktioner.

- **Den här laddaren är inte avsedd att användas av barn eller personer med fysiska, sensoriska eller mentala begränsningar, eller som inte har tillräcklig erfarenhet och kunskap.** Den här laddaren kan användas av barn som är 8 år eller äldre och av personer med fysiska, sensoriska eller mentala begränsningar, eller med brist på erfarenhet eller kunskap, om en person som ansvarar för deras säkerhet övervakar dem eller har instruerat dem för säker drift av laddaren och de förstår de tillhörande farorna. I annat fall finns risk för driftstörningar och skador.
- **Håll uppsikt över barn under användning, rengöring och underhåll.** Se till att barn inte leker med laddaren.
- **Ladda endast 18 V POWER FOR ALL-systembatterier med en kapacitet på 1,5 Ah.** Batterispänningen måste stämma överens med laddarens batteriladdningsspänning. **Ladda inte icke laddningsbara batterier.** Annars finns det risk för brand och explosion.
- **Använd endast laddaren i slutna utrymmen och utsätt den inte för våta förhållanden.** Om vatten tränger in i elverkytet ökar risken för elektrisk stöt.
- **Håll laddaren ren.** Smuts utgör en risk för elektriska stötar.

Säkerhetsinstruktioner för underhåll



VARNING: Läs varningsinstruktionerna nedan innan du använder produkten.

- För att förhindra oavsiktlig start vid underhåll ska du vrida säkerhetsnyckeln till 0 och ta bort batteriet. Vänta i minst fem sekunder innan du påbörjar underhåll.
- Utför endast det underhållsarbete som anges i den vrida bruksanvisningen. Mer omfattande arbete och professionell reparation ska utföras av en godkänd serviceverkstad. Tala med din närmaste serviceverkstad för mer information.
- Utför underhållsarbete på rätt sätt för att öka produktens livslängd och minska risken för olyckor.
- Byt ut skadade, slitna och trasiga delar. Använd alltid reservdelar i original från tillverkaren. Andra

reservdelar kan orsaka skador på produkten och öka risken för olyckor.

- Undvik risken för skador: Ta inte bort och gör inga ändringar på säkerhetsanordningar.
- Använd kraftiga arbetshandskar när du använder skärutrustningen. Kniven är mycket vass och skårskador uppstår lätt.
- Håll den skärande delen skarp och ren för bästa och säkraste prestanda.
- Låt din serviceverkstad regelbundet kontrollera produkten och göra nödvändiga inställningar och reparationer.

- Följ instruktionerna för byte av tillbehör. Använd endast tillbehör från tillverkaren.
- När den inte används ska du hålla produkten, batteriet och batteriladdaren ifrån varandra på ett torrt och låst utrymme inomhus. Se till att barn och personer som inte är godkända inte kan få tillgång till produkten, batteriet eller batteriladdaren.

Montering

Introduktion



VARNING: Innan du monterar produkten ska du läsa säkerhetskapitlet.



VARNING: Förhindra oavsiktligt start vid montering genom att vrida säkerhetsnyckeln till 0, ta bort batteriet och vänta minst fem sekunder.

Ställa in höjden på handtaget

Produkten har ett fritt omfång för höjdstyrelsen av handtaget. Handtagets höjd kan ställas in på en lämplig höjd mellan två inställda punkter.

1. Ställ in produkten i arbetsläge. Se *Ställa in produkten i arbetsläge på sida 549*.
2. Vrid låsvreden på styrena moturs. (Fig. 27)
3. Dra styrena till lämplig position.
4. Placera de två styrena i nivå.



OBSERVERA: Om styrena inte är i nivå kommer produkten att skadas.

5. Vrid låsvreden på styrena medurs.
6. Dra åt låsvreden helt.

Installera gräsuppsamlaren

1. Lyft den bakre kåpan.
2. Ta bort mulchingpluggen.
3. Fäst gräsuppsamlaren i den övre kanten på chassit.

4. Sätt den nedre delen av gräsuppsamlaren mot gräsutkastkanalen. (Fig. 28)



OBSERVERA: Se till att gräsuppsamlaren är korrekt tätad mot produktens chassi.

Installera mulchingpluggen

1. Lyft upp den bakre kåpan och ta loss gräsuppsamlaren.
2. Skjut in mulchingpluggen i gräsutkastkanalen tills du hör ett klick. (Fig. 29)

Montera kroken på väggen

- Montera kroken inomhus.
- Se till att kroken befinner sig i omgivningstemperaturer från -10 °C till +70 °C grader och att den inte är i direkt solljus.
- Montera kroken på en gips-, trä- eller betongvägg.



OBSERVERA: Se till att väggen klarar en belastning på minst 30 kg.

- Montera kroken på väggen med de 3 skruvarna (A). Använd väggpluggar (B) vid behov. (Fig. 30)



OBSERVERA: Se till att skruvarna passar din väggtyp.

- Kontakta Husqvarna Serviceverkstad om du vill ha information om tillgängliga förvaringstillbehör för din produkt.

Introduktion



VARNING: Innan du använder produkten måste du läsa igenom och förstå kapitlet om säkerhet.

Husqvarna Connect

Husqvarna Connect är en kostnadsfri app för mobila enheter. Husqvarna Connect-appen utökar funktionerna för Husqvarna-produkten:

- Mer produktinformation.
- Information om, och hjälp med, produktdelar och service.

Börja använda Husqvarna Connect

1. Ladda ner Husqvarna Connect-appen på din mobila enhet.
2. Utför registreringen i Husqvarna Connect-appen.
3. Följ instruktionerna i Husqvarna Connect-appen för att ansluta och registrera produkten.

Notera: Husqvarna Connect-appen är inte tillgänglig för hämtning på alla marknader. Prata med en serviceverkstad för mer information.

Ställa in produkten i arbetsläge

1. Vrid vreden till oläst läge. (Fig. 31)
2. Fäll upp handtaget tills du hör ett klick. (Fig. 32)



OBSERVERA: Se till att kablar inte är för spända. Om en kabel är för spänd kan den skadas när handtaget fälls till transportläge.



VARNING: Se till att handtaget är helt uppfällt och i låst läge.

3. Ställ in höjden på handtaget. Se *Ställa in höjden på handtaget på sida 548*.

Ställa in klipphöjden

1. Flytta klipphöjdsspaken bakåt för att höja klipphöjden.
2. Flytta klipphöjdsspaken framåt för att sänka klipphöjden. (Fig. 33)



OBSERVERA: Ställ inte in för låg klipphöjd. Knivarna kan träffa marken om gräsmattans yta inte är plan.

Batteri



VARNING: Innan du använder batteriet måste du läsa igenom och förstå kapitlet om säkerhet. Du måste också läsa igenom och förstå den bruksanvisning som medföljer batteriet och batteriladdaren.

Förvara batteriet och batteriladdaren i rätt omgivningstemperatur.

| | Omgivningstemperatur |
|-------------------------------------|----------------------|
| Användning av batteriet i produkten | 0 °C – +40 °C |
| Laddning av batteri | 0 °C – +35 °C |

Ladda batteriet

Ladda batteriet före första användning.

Notera: Laddningsprocessen är endast möjlig när batteriets temperatur är inom det tillåtna temperaturområdet för laddning (0–45 °C).

1. Anslut batteriladdarens nätsladd till ett jordat vägguttag.



OBSERVERA: Se till att elnätet har rätt spänning och frekvens.

2. Sätt i batteriet i batteriladdaren. Batteriet är anslutet till batteriladdaren när den gröna lysdioden blinkar. (Fig. 34)
3. Batteriet är fulladdat när den gröna lysdioden på batteriladdaren är tänd. Ladda batteriet i högst 24 timmar.
4. Koppla ur batteriladdaren från elnätet.



OBSERVERA: Dra inte i nätsladden.

5. Ta ut batteriet ur batteriladdaren.

Batteristatuslysdiod på batteriladdaren

Den röda lysdioden (A) och den gröna lysdioden (B) på batteriladdaren visar batteristatusen. Se *Felsökning av batteriladdaren på sida 552*.

(Fig. 35)

| Lysdiod | Batteristatus |
|---------------------------------------|--|
| Den gröna lysdioden blinkar snabbt. | Batteriet laddas. |
| Den gröna lysdioden blinkar långsamt. | Batteriet är 80 % laddat. |
| Den gröna lysdioden lyser. | Batteriet är fulladdat. |
| Den röda lysdioden lyser. | Se <i>Felsökning av batteriladdaren på sida 552.</i> |
| Den röda lysdioden blinkar snabbt. | Se <i>Felsökning av batteriladdaren på sida 552.</i> |

Lysdiod för batteristatus på produkten

När batteriet är installerat i produkten visar lysdioderna på produkten batteriets status.

(Fig. 36)

| Lysdiod | Batteristatus |
|---------------------------|--|
| Lysdiod 1, 2 och 3 lyser. | Fulladdat. |
| Lysdiod 1 och 2 lyser. | Tillräckligt laddat |
| Lysdiod 1 lyser. | Batterinivån är låg. |
| LED 1 blinkar. | Batteriet är tomt. Batteristatusindikator blinkar. Ladda batteriet. Se <i>Ladda batteriet på sida 549.</i> |

Starta produkten

1. Öppna batteriluckan.
2. Sätt i ett laddat batteri i batterihållaren.
3. Vrid säkerhetsnyckeln till 1. (Fig. 37)
4. Stå bakom produkten.
5. Lossa startspärren. (Fig. 26)
6. Tryck motorbromsbygeln i styrets riktning. (Fig. 38)

Funktion för hög belastning

När produkten klipper högt eller vått gräs ökar motorn automatiskt varvtalet. Motorn återgår till standardläge när hög belastning inte längre behövs.

Motorn stannar

Under drift kan kniven och motorn tillfälligt stanna på grund av hinder, till exempel gräsansamling under klippkåpan. Se *Rengöra produkten på sida 551.*



VARNING: Innan du kontrollerar klippkåpan: Släpp motorbromsbygeln, vrid säkerhetsnyckeln till 0, ta ut batteriet och vänta i minst fem sekunder. Det finns risk för skador om hindret tas bort och produkten oavsiktligt startar.

Stoppa produkten



VARNING: Vrid säkerhetsnyckeln till 0 innan du lämnar produkten utom synhåll.

1. Släpp motorbromsbygeln för att stänga av motorn. (Fig. 39)
2. Öppna batteriluckan och vrid säkerhetsnyckeln till läget 0. (Fig. 40)
3. För att ta bort batteriet trycker du på de två frigöringsknapparna och drar ut batteriet. (Fig. 41)
4. Ladda batteriet om det är svagt. Mer information finns här *Ladda batteriet på sida 549.*

Få ett bra resultat

- Använd alltid en vass kniv. En slö kniv ger ett ojämnt resultat och grässets snittyta blir gul. En vass kniv förbrukar mindre energi än en slö kniv.
- Klipp inte mer än en tredjedel av grässets längd. Klipp först med hög kliphöjd. Undersök resultatet och sänk kliphöjden till en lämplig nivå. Om gräset är väldigt långt kan du köra sakta och klippa två gånger vid behov.
- Klipp i olika riktningar varje gång för att undvika ränder i gräsmattan.
- Håll klippkåpan ren. Ansamling av gräs och smuts på insidan av klippkåpan kan försämra klippresultatet. Se *Rengöra produkten på sida 551.*

Underhåll

Inledning



VARNING: Innan du utför underhåll måste du läsa och förstå kapitlet om säkerhet.

För allt service- och reparationsarbete på produkten krävs särskild utbildning. Vi garanterar att du kan få en fackmannamässig reparation och service utförd. Om din återförsäljare inte är en serviceverkstad kan du tala med dem för information om närmaste serviceverkstad.

Underhållsschema

Underhållsintervallen beräknas utifrån daglig användning av produkten. Intervallen ändras om produkten inte används dagligen.

| | Varje användning | Varje månad | Varje säsong |
|--|------------------|-------------|--------------|
| Utför en allmän inspektion. | X | | |
| Rengöra produkten. | X | | |
| Kontrollera startspärren. * | X | | |
| Kontrollera att produktens säkerhetsanordningar inte är defekta. * | X | | |
| Kontrollera skärutrustningen. | X | | |
| Kontrollera klippkåpan. * | X | | |
| Kontrollera motorbromsbygeln. * | X | | |
| Undersök om det finns några skador på batteriet. | X | | |
| Kontrollera batteriladdningen. | X | | |
| Kontrollera att frigöringsknappen på batteriet fungerar och låser fast det i gräsklipparen. | X | | |
| Undersök om batteriladdaren har skador och se till att den fungerar som den ska. | | X | |
| Undersök anslutningarna mellan batteriet och produkten. Undersök även anslutningen mellan batteriet och batteriladdaren. | | | X |

Allmän inspektion

- Se till att skruvar och muttrar på produkten är åtdragna.
- Se till att produktens kablar inte är i ett läge där de kan skadas.

Rengöra produkten

- Rengör plastdelar med en ren och torr trasa.
- Använd inte vatten för att rengöra produkten. Vatten kan tränga in i batteriet eller motorn och orsaka kortslutning eller skada på produkten.
- Undvik att använda högtryckstvätt när du rengör maskinen.
- Spola inte vatten direkt på motorn.
- Använd en borste för att ta bort löv, gräs och smuts.

Rengöra batteriet och batteriladdaren



WARNING: Rengör inte batteriet eller batteriladdaren med vatten.



WARNING: Använd inga kemiska ämnen vid rengöring av batteriet.

- Se till att batteriet och batteriladdaren är rena och torra innan du sätter i batteriet i batteriladdaren.
- Rengör batteripolerna med tryckluft eller med en mjuk, torr trasa.
- Rengör ytorna på batteriet och batteriladdaren med en mjuk, torr trasa.

Kontrollera skärutrustningen



WARNING: Förhindra oavsiktlig start genom att vrida säkerhetsnyckeln till 0, ta bort batteriet och vänta minst fem sekunder.



WARNING: Använd skyddshandskar när du utför underhåll på skärutrustningen. Kniven är mycket vass och skärskador uppstår lätt.

1. Kontrollera så att skärutrustningen inte är skadad eller har sprickor. Byt alltid ut skadad skärutrustning.

2. Titta på kniven för att se om den är skadad eller slö.

Notera: Kniven måste balanseras när den har slipats. Låt en serviceverkstad slipa, byta och balansera kniven. Om du träffar ett hinder som gör att produkten stannar ska du byta ut den skadade kniven. Låt serviceverkstaden bedöma om kniven kan slipas eller måste ersättas.

Byta knivar

Se *Tekniska data på sida 555* för rätt typ av kniv.



WARNING: Lås fast kniven med en träbit för att förhindra skador på fingrarna vid knivbyte. Kniven kan förflyttas när motorn är avstängd och fingrarna fastna mellan kniven och de fasta delarna.

1. Lås kniven med en träbit. (Fig. 42)
2. Ta bort knivbulten.
3. Tag bort kniven.

4. Kontrollera knivstödet och knivbulten för att se om det finns skador.
5. Kontrollera motoraxeln för att se till att den inte är böjd.
6. När du monterar en ny kniv ska du rikta knivens vinklade ändar mot klippkåpan. (Fig. 43)
7. Se till att kniven är i linje med motoraxelns mitt.
8. Lås kniven med en träbit. Montera fjäderbrickan och dra åt bulten och brickan med ett vridmoment på 23-28 Nm. (Fig. 44)
9. Dra runt kniven för hand och se till att den roterar fritt.



WARNING: Använd kraftiga arbetshandskar. Kniven är mycket vass och skårskador uppstår lätt.

10. Starta produkten för att testa kniven. Om kniven inte är korrekt monterad känner du vibrationer i produkten eller så är klipresultat otillfredsställande.

Felsökning

Felsökning av batteriladdaren

| Lysdiod på batteriladdaren | Orsak | Lösning |
|---|--|--|
| Grön lysdiod lyser och röd lysdiod blinkar. | Batteriet är inte korrekt monterat i batteriladdaren. | Ta bort batteriet från laddaren och sätt i batteriet i batteriladdaren igen. |
| | Batterikontakterna är smutsiga. | Rengör batterikontakterna. |
| | Laddaren har identifierat ett internt fel. | Kontrollera att alla batterier är helt isatta. Dra ur nätkontakten och sätt i den igen. Om felet uppstår igen ska laddaren kontrolleras av ett auktoriserat servicecenter för Husqvarna-produkter. |
| | Batteriet är defekt. | Byt batteri. |
| Röd lysdiod lyser och grön lysdiod är släckt. | Batteritemperaturen är utanför laddningsområdet. | Vänta tills batteritemperaturen är inom det tillåtna temperaturområdet för laddning (0–45 °C). |
| Grön lysdiod och röd lysdiod är släckta. | Batteriladdaren är inte korrekt ansluten till nätuttaget. | Anslut batteriladdaren till ett nätuttag. |
| | Fel på nätspänningsuttaget. | Anslut batteriladdaren till den spänning och frekvens som anges på typskylten. |
| | Batteriladdarens kabel är defekt. | Tala med en godkänd serviceverkstad. |
| | Batteriladdaren är defekt. | |
| Andra fel. | Om andra fel uppstår kontrollerar du att produkten är av, tar bort batteriet och kontakter en godkänd serviceverkstad. | |

Felsökning av gräsklipparen

Varningsindikatorn (lysdiod för fel) sitter på produktens baksida bakom batteriluckan.

| Problem | Varningslampa (antal blinkningar) | Orsak | Lösning |
|--|--|--|--|
| Varningslampan blinkar. Produkten fungerar inte som den ska. | 5 | Kniven är igensatt. | Vrid säkerhetsnyckeln till 0 för att förhindra oavsiktlig start. Ta ut batteriet och vänta minst fem sekunder. Avlägsna eventuella hinder och se till att kniven kan rotera fritt. Om problemet kvarstår kontaktar du en godkänd serviceverkstad. |
| | | Motorns varvtal sjunker för mycket och motorn stängs av. | Öka klipphöjden. Se <i>Ställa in klipphöjden på sida 549</i> . |
| | 10 | Motorstyrningen är för varm. | Stäng av motorn och vänta tills den har svalnat. |
| Varningslampan blinkar. Produkten stannar. | 22 | Batteritemperaturen är för hög eftersom temperaturen i arbetsmiljön är för hög. | Ta bort batteriet från maskinen och vänta tills det har svalnat innan du startar maskinen igen. Se till att den omgivande temperaturen är korrekt. Använd batteriet vid temperaturer mellan 0 och +40 °C. Om problemet kvarstår kontaktar du en godkänd serviceverkstad. |
| | | Batteritemperaturen är för hög eftersom motorn är överbelastad | Öka klipphöjden. Se <i>Ställa in klipphöjden på sida 549</i> . Om problemet kvarstår kontaktar du en godkänd serviceverkstad. |
| | 0 | Batterianslutningsfel. | Undersök batterianslutningen. |
| | 3 | Motorn är överbelastad. | Öka klipphöjden. Se <i>Ställa in klipphöjden på sida 549</i> . |
| | 9 | Batterifel eller ingen signal från batteriet. | Sätt batteriet i produkten på rätt sätt och undersök batterianslutningen. Om lysdioden för fel på batteriet blinkar, se <i>Felsökning av batteriladdaren på sida 552</i> . Om problemet kvarstår kontaktar du en godkänd serviceverkstad. |
| | 8 | Batteriet är svagt. | Ladda batteriet. Se <i>Ladda batteriet på sida 549</i> . |
| | 12 | Felaktigt startförfarande. Motorns bromshandtag har aktiverats innan motorn startar. | Släpp motorns bromshandtag och vänta cirka fem sekunder. Tryck ner motorns bromshandtag igen för att starta produkten. |
| Andra fel. | Om andra fel uppstår vrider du säkerhetsnyckeln till 0, tar bort batteriet och kontaktar en godkänd serviceverkstad. | | |

Transport, förvaring och kassering

Introduktion



VARNING: Förhindra oavsiktlig start vid transport och förvaring genom att vrida säkerhetsnyckeln till 0, ta bort batteriet och vänta minst fem sekunder.

Ställa in produkten i transportläge

1. Ta bort gräsupsamlaren och se till att gräsupsamlaren är tom.
2. Vrid läsvreden på handtaget moturs till oläst läge. (Fig. 45)
3. Tryck handtaget i riktning mot den bakre kåpan.
4. Vrid läsvreden på handtaget medurs till låst läge.
5. Vrid vreden till oläst läge. (Fig. 46)
6. Fäll ned handtaget tills du hör ett klick. (Fig. 47)

Se *Ställa produkten i förvaringsläge på sida 554* för att förvara produkten.

Transport

- Kraven i lagstiftningen för farligt gods gäller för de medföljande litiumjonbatterierna.
- För kommersiella transporterna måste särskilda krav på förpackning och etiketter följas.
- Se till att du följer kraven gällande farligt material när du förbereder produkten för transport. Lokala föreskrifter kan gälla.
- Ta alltid loss alltid batteriet vid transport.
- Sätt tejp på batterikontaktarna och se till att batteriet inte kan röra sig under transport.
- Sätt fast produkten under transport.

Förvaring

- Låt produkten svalna innan du ställer undan den.
- Ta alltid ut batteriet vid förvaring.
- Förhindra olyckor genom att se till att batteriet inte är kopplat till produkten vid förvaring.
- Förvara batteriladdaren på en sluten och torr plats.
- Förvara batteriet och batteriladdaren på en torr plats där det inte finns någon fukt eller frost.
- Koppla ur batteriet från batteriladdaren vid förvaring.
- Förvara inte batteriet där statisk elektricitet kan uppkomma. Förvara inte batteriet i en metallåda.
- Förvara produkten i temperaturer mellan -20 °C och +50 °C.
- Förvara batteriet i temperaturer mellan -20 °C och +50 °C, inte i direkt solljus.
- Förvara batteriladdaren på en torr, stängd och frostfri plats.

- Se till att batteriet är rent och laddat innan du förvarar det under längre perioder.
- Förvara produkten, batteriet och batteriladdaren i ett låst utrymme utom räckhåll för barn och personer som inte är godkända.
- Rengör produkten och se till att gräsupsamlaren är tom.
- Utför underhåll enligt anvisningarna i den här bruksanvisningen. Se *Underhåll på sida 550*.
- Gör en fullständig service innan du ska ställa undan produkten under en längre tid.

Ställa produkten i förvaringsläge



VARNING: Förhindra oavsiktlig start vid transport och förvaring genom att vrida säkerhetsnyckeln till 0, ta bort batteriet och vänta minst fem sekunder.

1. Ta bort batteriet.
2. Ställ produkten i transportläget. Se *Ställa in produkten i transportläge på sida 554*.
3. Flytta produkten till förvaringsplatsen.

För att förvara produkten horisontellt på marken

1. Ställ produkten i förvaringsläge. Se *Ställa produkten i förvaringsläge på sida 554*.
2. Sätt fast gräsupsamlaren. Se *Fästa gräsupsamlaren på sida 555*.
3. Förvara produkten horisontellt på marken. (Fig. 48)

För att förvara produkten vertikalt på marken

1. Ställ produkten i förvaringsläge. Se *Ställa produkten i förvaringsläge på sida 554*.
2. Lyft produkten i lyftpunkterna på handtaget och placera produkten vertikalt på en plan yta. (Fig. 49)



VARNING: Lyft inte produkten i klippkåpan. Kniven är mycket vass och skärskador uppstår lätt.

3. Sätt fast gräsupsamlaren. Se *Fästa gräsupsamlaren på sida 555*.
4. Se till att produkten är stabil och att de två stödbenen vidrör golvet.
5. Förvara produkten vertikalt på marken. (Fig. 50)

För att förvara produkten på den medföljande kroken



VARNING: Häng endast produkten på väggen med den medföljande kroken.

1. Installera den medföljande kroken. Se *Montera kroken på väggen på sida 548*.
2. Ställ produkten i förvaringsläge. Se *Ställa produkten i förvaringsläge på sida 554*.
3. Lyft produkten i lyftpunkterna på handtaget. (Fig. 49)



VARNING: Lyft inte produkten i klippkåpan. Kniven är mycket vass och skärskador uppstår lätt.

4. Häng produkten på den medföljande kroken. Se *Montera kroken på väggen på sida 548*. (Fig. 51)
5. Se till att produkten hänger korrekt och är stabil på krockens två stänger.
6. Sätt fast gräsupsamlaren. Se *Fästa gräsupsamlaren på sida 555*.

Fästa gräsupsamlaren

1. Fäst gräsupsamlaren i spåret på produktens framsida. (Fig. 52)
2. Tryck gräsupsamlarens nedre del mot lyftpunkten tills du hör ett klick. (Fig. 53)

Avfallshantering

Symbolen på produkten eller dess förpackning indikerar att denna produkt inte får hanteras som

hushållsavfall. Istället ska den överlämnas till lämplig återvinningsstation för återvinning av elektrisk och elektronisk utrustning.

Genom att se till att denna produkt omhändertas korrekt, kan du hjälpa till att motverka potentiella negativa konsekvenser på miljö och människor, vilka annars kan orsakas genom oriktig avfallshantering av denna produkt. För mer detaljerad information om återvinning av denna produkt, kontakta din kommun, din hushållsavfallsservice eller affären där du köpte produkten.

(Fig. 54)

Endast för EU-länder: Enligt direktiv 2006/66/EG måste defekta eller använda batteripack/batterier samlas in separat och kasseras på ett miljövänligt sätt.

Endast för Storbritannien: Enligt föreskrifterna 2009 (SI 2009/890) (med tillägg) för uttjänta batterier och ackumulatörer måste batteripack/batterier som inte längre kan användas samlas in separat och kasseras på ett miljövänligt sätt.

Tekniska data

Tekniska data

| | Aspire LC34-P4A |
|--|---------------------|
| Klippmotor | |
| Motortyp | BLDC (borstlös) 18V |
| Motorvarvtal – nominellt, varv/min | 3 000 |
| Motorvarvtal – hög belastning, varv/min | 3 500 |
| Motoreffekt – max. kW | 0,7 |
| Motoreffekt – nominell, kW | 0,5 |
| Drivmotor | |
| Motoreffekt – nominell, kW | Ej tillämpligt |
| Självgående hastighet, km/h | Ej tillämpligt |
| Nivåer för varvtalsreglering | Ej tillämpligt |
| Vikt | |
| Vikt utan väska (exkl. batteri), kg | 11,5 |
| Vikt med väska (inkl. 1x P4A 18-B72), kg | 13,5 |
| Batteri | |
| Batterityp | Litiumjonbatteri |

| | |
|--|------------------------|
| | Aspire LC34-P4A |
| Batteritid | |
| Batteritid, min, ⁹⁷ | 60 |
| Bulleremission ⁹⁸ | |
| Ljudeffektnivå, uppmätt dB(A) | 86 |
| Ljudeffektnivå, garanterad L _{WA} dB(A) | 87 |
| Ljudnivåer ⁹⁹ | |
| Ljudtrycksnivå vid användarens öra, dB(A) | 74 |
| Vibrationsnivåer ¹⁰⁰ | |
| Handtag, m/s ² | 0,5 |
| Skärutrustning | |
| Klipphöjd, mm | 30–65 |
| Klippbredd, cm | 34 |
| Kniv, standard | Combi 5375561-10 |
| Knivtillbehör | Ej tillämpligt |
| Gräsuppsamlarens kapacitet, l | 30 |

Godkända batterier

Den här produkten kan användas med alla **POWER FOR ALL**-batterier. För bästa prestanda rekommenderar vi att du använder batterier med minst 4,0 Ah.

| Batteri | P4A 18-B45 | P4A 18-B72 |
|--------------------------|------------------|------------------|
| Typ | Litiumjonbatteri | Litiumjonbatteri |
| Batterikapacitet, Ah | 2,5 | 4,0 |
| Nominell spänning, V | 18 | 18 |
| Vikt, kg | 0,35 | 0,65 |
| Antal celler (litiumjon) | 5 | 10 |

⁹⁷ (fri drift) med standardläge aktiverat, med ett Husqvarna 4,0 Ah-batteri (P4A 18-B72).

⁹⁸ Bulleremission till omgivningen uppmätt som ljudeffekt (L_{WA}) enligt EG-direktiv 2000/14/EG.

⁹⁹ Rapporterade data för ljudtrycksnivå har en osäkerhetsfaktor (K) på 1,5 dB(A).

¹⁰⁰ Rapporterade data för vibrationsnivå har en osäkerhetsfaktor (K) på 1,5 m/s². Det deklarerade totala vibrationsvärdet har uppmätts i enlighet med SS-EN 62841-4-3, bilaga 1 och kan användas för jämförelse av en maskin med en annan samt vid en preliminär bedömning av exponering.

Godkända batteriladdare

| Batteriladdare | P4A 18-C70 |
|----------------------|------------|
| Ingående spänning, V | 220–240 |
| Frekvens, Hz | 50–60 |
| Effekt, W | 70 |

Försäkran om överensstämmelse

EU-försäkran om överensstämmelse

Vi, **Husqvarna AB**, 561 82 Huskvarna, Sverige, tel:
+46-36-146500, försäkrar på eget ansvar att produkten:

| | |
|----------------------|--------------------------------------|
| Beskrivning | Gräsklippare |
| Varumärke | Husqvarna |
| Typ/Modell | Aspire LC34-P4A |
| Identifiering | Serienummer daterade 2022 och framåt |

uppfyller alla krav i följande EU-direktiv och förordningar:

| Lagstiftning | Beskrivning |
|---------------------|--|
| 2006/42/EG | "om maskiner" |
| 2014/30/EU | "angående elektromagnetisk kompatibilitet" |
| 2000/14/EC | "angående emission av buller till omgivningen" |
| 2011/65/EU | "angående begränsning av användning av vissa farliga ämnen i elektrisk och elektronisk utrustning" |

och att följande standarder och/eller tekniska specifikationer tillämpas: EN 62841-1:2015/AC:2015, EN IEC 62841-4-3:2021/A11:2021, EN ISO 12100:2010, EN 55014-1:2021, EN 55014-2:2021, EN IEC 61000-6-2:2019, EN IEC 61000-6-3:2021, EN IEC 63000:2018

Anmält organ: 0404, RISE SMP Svensk Maskinprovning AB, Box 4053, SE-904 03 Umeå, Sweden har intygat överensstämmelse med rådets direktiv 2000/14/EG, procedur för utvärdering av överensstämmelse: bilaga VI.

För information om bulleremissioner, se *Tekniska data på sida 555*.

Huskvarna, 2022-10-24



Claes Losdal, utvecklingschef/trädgårdsprodukter,
Husqvarna AB

Ansvarig för teknisk dokumentation



Copyright © 2012–2020 STMicroelectronics

Garantin omfattar inte defekter som är resultatet av normalt slitage, felaktig användning, vårdslöshet, obehörig reparation eller att sugapparaten är ansluten till fel spänning.

Alla rättigheter förbehålls.

Vidaredistribution och användning i källform och binär form, med eller utan modifiering, är tillåtet under förutsättning att följande villkor är uppfyllda:

- Vid vidaredistribution av källkod måste ovanstående upphovsrättsmeddelande, denna lista med villkor och följande ansvarsfriskrivning inkluderas.
- Vidaredistribution i binär form måste återge ovanstående upphovsrättsmeddelande, denna lista med villkor och följande ansvarsfriskrivning i dokumentationen eller annat material som medföljer distributionen.
- Varken namnet STMicroelectronics eller namnen på de som bidragit med innehåll får användas för att rekommendera eller marknadsföra produkter som härleds från denna programvara utan särskilt föregående skriftligt tillstånd.

PROGRAMVARAN TILLHANDAHÅLLS AV UPPHOVSRÄTTSSINNEHAVARNA OCH DELTAGARNA "I BEFINTLIGT SKICK" OCH VI AVSÄGER OSS ALLA UTTRYCKLIGA ELLER UNDERFÖRSTÅDDA GARANTIER, INKLUSIVE, MEN EJ BEGRÄNSAT TILL, DE UNDERFÖRSTÅDDA GARANTIerna OM SÄLJBARHET OCH LÄMPLIGHET FÖR ETT VISST ÄNDAMÅL. UPPHOVSRÄTTSÄGARNA OCH DELTAGARNA SKA INTE UNDER NÅGRA OMSTÄNDIGHETER HÅLLAS ANSVARIGA FÖR DIREKTA, INDIREKTA, TILLFÄLLIGA, SPECIELLA OCH EXEMPLARISKA SKADOR ELLER FÖLJDASKADOR (INKLUSIVE, MEN INTE BEGRÄNSAT TILL, INKÖP AV ERSÄTTNINGSPRODUKTER ELLER -TJÄNSTER, FÖRLUST AV ANVÄNDNINGSMÖJLIGHET, DATA ELLER VINST, ELLER AVBROTT I VERKSAMHETEN) OAVSETT ORSAK OCH ANSVARSGRUND, OCH OAVSETT OM DET SKER INOMKONTRAKTUellt, UTOMKONTRAKTUellt ELLER UNDER STRIKT ANSVAR (INKLUSIVE FÖRSUMMELSE ELLER ANNAT), SOM UPPSTÅR GENOM ANVÄNDNING AV DENNA PROGRAMVARA, ÄVEN OM DET MEDDELATS OM RISKEN FÖR SÅDANA SKADOR.

Apache 2.0-licens

Copyright © 2009-2019 Arm Limited. Alla rättigheter förbehålls.

Version 2.0, januari 2004 <http://www.apache.org/licenses/>

VILLKOR FÖR ANVÄNDNING, KOPIERING OCH DISTRIBUTION

1. Definitioner.

"Licens" avser villkoren för användning, kopiering och distribution enligt definitionen i avsnitt 1 till 9 i detta dokument. **"Licensgivare"** avser upphovsrättsinnehavaren eller den juridiska person som fått behörighet av upphovsrättsinnehavaren som beviljar licensen. **"Juridisk enhet"** avser den verkställande enheten tillsammans med alla andra enheter som styr, styrs av eller har gemensamt styre med den enheten. I detta sammanhang innebär **"styrning"** (i) inflytande, direkt eller indirekt, att styra eller leda sådan enhet, oavsett om det sker inom ramen för ett kontrakt eller på annat sätt, eller (ii) ägande av femtio procent (50 %) eller mer av utestående aktier, eller (iii) verkligt ägande av sådan enhet. **"Du"** (eller **"Din"**) avser en fysisk person eller juridisk enhet som utövar de behörigheter som beviljas i denna licens. **"Källform"** avser den föredragna formen för att göra ändringar, inklusive men inte begränsat till programvarukällkod, dokumentationskälla och konfigurationsfiler. **"Objektform"** avser alla former som uppstår genom mekanisk omvandling eller översättning av en källform, inklusive men inte begränsat till kompilerad objektkod, genererad dokumentation och konverteringar till andra medietyper. **"Verk"** avser ett upphovsrättsligt verk, oavsett om det är i käll- eller objektform, som görs tillgängligt genom licensen, enligt vad som anges i ett meddelande om upphovsrätt som ingår i eller är kopplat till verket (ett exempel ges i bilagan nedan). **"Härledda verk"** avser alla verk, oavsett om det är i käll- eller objektform, som baseras på (eller härleds från) Verket, och för vilket de redaktionella revideringarna, noteringarna, utarbetningarna eller andra ändringar i sin helhet utgör ett upphovsrättsligt originalverk. I denna Licens omfattas inte Härledda verk av verk som kan särskiljas från eller bara länkar till (eller kopplar med hjälp av namn) gränssnittet för Verket och därav Härledda verk. **"Bidrag"** avser alla upphovsrättsliga verk, inklusive originalversionen av Verket och eventuella ändringar eller tillägg till detta Verk eller därav Härledda verk, som avsiktligt lämnas till Licensgivaren för att införlivas i Verket av upphovsrättsinnehavaren eller av en fysisk person eller juridisk enhet som är behörig att lämna in uppgifter i upphovsrättsinnehavarens ställe. Enligt denna definition innebär **"inlämnad"** all form av elektronisk, verbal eller skriftlig kommunikation som skickas till Licensgivaren eller dess representanter, inklusive men inte begränsat till kommunikation via elektroniska e-postlistor, kontrollsystem för källkod och system för ärendeföljning som hanteras av, eller hanteras på uppdrag av, Licensgivaren i syfte att diskutera och förbättra Verket, men där kommunikation som är tydligt markerad eller på annat sätt är skriftligen betecknad av upphovsrättsinnehavaren som **"Ej bidrag"** exkluderas. **"Deltagare"** avser Licensgivaren och alla personer eller juridiska enheter för vilkas räkning ett

Bidrag har mottagits av Licensgivaren och därefter införlivats i Verket.

2. Beviljande av upphovsrättslicens.

I enlighet med villkoren i denna Licens beviljar varje Deltagare dig härmed en oavbruten, global, icke-exklusiv, avgiftsfri, royaltymfri och oåterkallelig upphovsrättslicens att kopiera, förbereda Härledda verk av, offentligt visa, offentligt utföra, underlicensiera och distribuera Verket och sådana Härledda verk i käll- eller objektform.

3. Beviljande av patentlicens.

I enlighet med villkoren i denna Licens beviljar varje Deltagare dig härmed en oavbruten, global, icke-exklusiv, avgiftsfri, royaltymfri och oåterkallelig (förutom enligt vad som anges i detta avsnitt) patentlicens att skapa, låta skapa, använda, erbjuda till försäljning, sälja, importera och på annat sätt överföra Verket, där sådan licens endast gäller de patentanspråk som är licensierbara av sådan Deltagare som gör intrång genom själva Bidragen eller genom en kombination av Bidragen med det Verk till vilket sådana Bidrag lämnades in. Om du inleder en patentvist mot någon fysisk eller juridisk person (inklusive ett så kallat "cross-claim" eller motkrav i en rättsprocess) och hävdar att Verket eller ett Bidrag som ingår i Verket utgör direkt eller bidragande patentintrång, upphör eventuella patentlicenser som beviljats dig enligt denna Licens för det Verk från och med det datum då en sådan patentvist lämnas in.

4. Vidaredistribution.

Du får reproducera och distribuera kopior av Verket eller därav Härledda verk i valfritt medium, med eller utan ändringar, samt i käll- eller objektform, under förutsättning att du uppfyller följande villkor:

- Du måste ge alla andra mottagare av Verket eller Härledda verk en kopia av denna Licens; och
- Du måste se till att ändrade filer innehåller tydlig information om att Du har ändrat filerna; och – Du måste behålla, i källform av varje Härlett verk som Du distribuerar, alla meddelanden om upphovsrätt, patent, varumärken och erkännande från källformen av Verket, förutom de meddelanden som inte tillhör någon del av de Härledda verken; och
- Om Verket innehåller en textfil för **"MEDDELANDE"** som del av distributionen måste samtliga Härledda verk som Du distribuerar inkludera en läsbar kopia av de erkännandemeddelanden som inryms i en sådan MEDDELANDE-fil, med undantag för de meddelanden som inte tillhör någon del av de Härledda verken, på minst en av följande platser: i en MEDDELANDE-textfil som distribueras som en del av det Härledda verket; inom källformen eller dokumentationen, om sådan tillhandahålls tillsammans med de Härledda verken; eller, i en display som genereras av det Härledda verket, om och varhelst sådana tredjepartsmeddelanden vanligen visas. Innehållet

i MEDDELANDE-filen är endast avsett som information och ändrar inte Licensen. Du kan lägga till egna erkännandemeddelanden inom Härledda verk som du distribuerar, tillsammans med eller som ett tillägg till MEDDELANDE-texten från Verket, under förutsättning att sådana ytterligare erkännandemeddelanden inte kan tolkas som en ändring av Licensen. Du kan lägga till ditt eget upphovsrättsmeddelande till dina ändringar och tillhandahålla fler eller annorlunda licensvillkor för användning, kopiering eller distribution av dina ändringar, eller för sådana Härledda verk i sin helhet, under förutsättning att din användning, kopiering och distribution av Verket i övrigt uppfyller de villkor som anges i denna Licens.

5. Inlämning av Bidrag.

Såvida Du inte uttryckligen anger något annat ska alla Bidrag som avsiktligt lämnats in av dig till Licensgivaren för att ingå i Verket hanteras enligt villkoren i denna Licens, utan några ytterligare villkor. Oaktat ovanstående ska ingenting häri ersätta eller ändra villkoren i något separat licensavtal som du kan ha ingått med Licensgivaren gällande sådana Bidrag.

6. Varumärken.

Denna Licens ger inte tillåtelse att använda Licensgivarens firmanamn, varumärken, servicemärken eller produktamn, förutom vad som krävs för rimlig och normal användning för att beskriva Verkets ursprung och återge innehållet i MEDDELANDE-filen.

7. Garantiavskrivning.

Såvida det inte krävs enligt gällande lag eller har överenskommit skriftligen tillhandahåller Licensgivaren Verket (och varje Deltagare tillhandahåller sina Bidrag) "I BEFINTLIGT SKICK", UTAN NÅGRA SOM HELST GARANTIER ELLER VILLKOR, varken uttryckliga eller underförstådda, inklusive och utan begränsning, alla garantier eller villkor för ÅGANDERÄTT, SKYDD MOT INTRÅNG, SÄLJBARHET eller LÄMPLIGHET FÖR ETT VISST SYFTE. Du är ensam ansvarig för att bedöma lämpligheten i att använda eller vidaredistribuera Verket och åtar dig alla risker som är förknippade med ditt nyttjande av tillstånd i enlighet med denna Licens.

8. Ansvarsbegränsning. Deltagare ska under inga omständigheter, och inte enligt någon rätts teori, oavsett om det sker utomkontraktuellt (inklusive försurming), inomkontraktuellt, eller på annat sätt, såvida det inte krävs enligt tillämplig lag (såsom avsiktliga och grovt vårdslösa handlingar) eller skriftligen har avtalats, vara ansvarig gentemot Dig för skador, inklusive direkta, indirekta, speciella eller tillfälliga skador eller följdskadorna av något slag som uppstår till följd av denna Licens eller på grund av användning eller oförmåga att använda Verket (inklusive men inte begränsat till ersättning för förlust av goodwill, arbetsavbrott, datorfel eller funktionsfel, eller alla övriga kommersiella skador eller förluster), även om denna Deltagare har meddelats om möjligheten att sådana skador uppstår.

9. Acceptera garanti eller ytterligare ansvar.

Vid vidaredistribution av Verket eller därav Härledda verk kan Du välja att erbjuda, och debitera en avgift för, acceptera av support, garanti, skadeersättning eller andra ansvarsskyldigheter och/eller rättigheter som överensstämmer med denna Licens. När Du accepterar sådana skyldigheter får Du dock endast agera för din

egen räkning och på ditt eget ansvar, och inte agera för någon annan Deltagare, och endast om Du samtycker till att gottgöra, försvara och hålla varje Deltagare skadeslös för juridiskt ansvar som åläggs, eller anspråk som framställs mot, sådan Deltagare på grund av att Du accepterat en sådan garanti eller ytterligare förpliktelse.
SLUT PÅ VILLKOR

Registrerade varumärken

QR Code är ett registrerat varumärke som tillhör DENSO WAVE INCORPORATED i Japan.

İçindekiler

| | | | |
|--------------------|-----|-------------------------------|-----|
| Giriş..... | 562 | Taşıma, depolama ve atma..... | 575 |
| Güvenlik..... | 563 | Teknik veriler..... | 577 |
| Montaj..... | 569 | Uyumluluk Bildirimi..... | 579 |
| Çalışma..... | 570 | Lisanslar..... | 580 |
| Bakım..... | 572 | Tescilli ticari markalar..... | 582 |
| Sorun giderme..... | 573 | | |

Giriş

Ürün açıklaması

Ürün, yaya kumandalı bir döner çim biçme makinesidir. Çim, çim toplama sepetinde toplanır. Çimin arkadan boşaltımı için çim toplama sepetini çıkarın. Çimi gübre haline getirmek için bir malç tapası takın.

Kullanım amacı

Ürünü çim biçmek için kullanın. Ürünü başka işler için kullanmayın.

Çabuk kurulum kılavuzu

Ürünün nasıl kullanılacağına dair bilgiler için QR kodunu tarayın.



Ürüne genel bakış

(Şek. 1)

1. Motor fren kolu
2. Başlatma engelleyici
3. Tutma yeri/gidon
4. Gidonun kilitleme düğmesi
5. Tutma yeri topuzları
6. Çim toplama sepeti
7. Malç tapası
8. Arka kapak
9. Ürün üzerindeki LED
10. Uyarı göstergesi (hata LED'i)
11. Güvenlik anahtarı
12. Akü bölmesi
13. Akü kapağı
14. Semboller
15. Kesim yüksekliği kolu

16. Akü (aksesuar)
17. Akü şarj cihazı (aksesuar)
18. Kırmızı LED
19. Yeşil LED
20. Kaldırma noktaları
21. Kanca
22. Kullanım kılavuzu

Ürün üzerindeki semboller

(Şek. 2) UYARI

(Şek. 3) Talimatları okuyun.

(Şek. 4) UYARI - Fırlayan nesnelere karşı dikkatli olun.

(Şek. 5) Hiç kimsenin yaklaşmasına izin vermeyin.

(Şek. 6) UYARI – Ellerinizi ve ayaklarınızı bıçaklardan uzakta tutun.

(Şek. 7) UYARI – Bakımdan önce akünün bağlantısını kesin.

(Şek. 8) Ürün ya da ürünün ambalajı evsel atık değildir. Ürünü, elektrikli ve elektronik ekipmanlar için bir geri dönüşüm istasyonunda geri dönüştürün.

(Şek. 9) AB ve BK direktifleri ile düzenlemeleri ve Yeni Güney Galler mevzuatı "Çevre Koruma Operasyonları (Gürültü Kontrolü) Yönetmeliği 2017" uyarınca çevreye yayılan gürültü emisyonu etiketi. Ürünün garantili ses gücü düzeyi *Teknik veriler sayfa*da: 577 ve etikein üstünde belirtilmektedir.

(Şek. 10) Bu ataşman yürürlükteki AT direktiflerine uygundur.

(Şek. 11) Bu ürün yürürlükteki Birleşik Krallık yönetmeliklerine uygundur.

(Şek. 12) Ürün damlamaya karşı korumalıdır.

(Şek. 13) Durdurmak için motor fren kolunu serbest bırakın.

(Şek. 14) Bıçakların tahrikini başlatmak için motor fren kolunu itin.

(Şek. 15) Taranabilir kod.

(Şek. 18) Kilitlemek veya kilidi açmak için çevirin.

Akü ve/veya akü şarj cihazı üzerindeki semboller

(Şek. 19)

(Şek. 20)

(Şek. 21)

(Şek. 22)

(Şek. 16)

(Şek. 17)

Bu ürünü, elektrikli ve elektronik ekipmanlar için bir geri dönüşüm istasyonunda geri dönüştürün. (Sadece Avrupa için geçerlidir)

Aküyu yalnızca POWER FOR ALL Sistem ortaklarının ürünlerinde kullanın.

Aküyu ısı (ör. sürekli yoğun gün ışığı, ateş), kir, su ve neme karşı koruyun. Patlama ve kısa devre riski vardır.

Akü şarj cihazını sadece kapalı mekanlarda kullanın ve saklayın.

Çift yalıtım.

Ürün üzerindeki etiket

(Şek. 23)

TEHLİKE – El ve ayaklarınızı uzak tutun.

Ürün sorumluluğu

Ürün sorumluluğu yasalarında belirtildiği üzere;

- ürünün hatalı bir şekilde onarılması,
- ürünün, üretici tarafından onaylanmayan veya üreticiden alınmayan parçalarla tamir edilmesi,
- üründe, üreticiden alınmayan veya üretici tarafından onaylanmayan bir aksesuar bulunması,
- ve ürünün, onaylı bir servis merkezinde veya yetkili bir kurum tarafından tamir edilmemesi durumunda oluşabilecek hasarlardan sorumlu değiliz.

Not: Ürünün üzerindeki diğer semboller/etiketler, bazı pazarların sertifikalandırma gereklilikleri ile ilgilidir.

Güvenlik

Güvenlik tanımları

Kılavuzdaki önemli kısımları vurgulamak için uyarılar ve notlar kullanılmıştır.



UYARI: Kılavuzdaki talimatlara uyulmadığı takdirde operatör veya çevredeki kişiler için ciddi yaralanma veya ölüm tehlikesi varsa kullanılır.



DİKKAT: Kılavuzdaki talimatlara uyulmadığı takdirde ürünün, diğer malzemelerin veya çevrenin zarar görme riski olduğunda kullanılır.

Not: Belirli bir durumda bilgi verilmesi gerektiğinde kullanılır.

Genel ürün güvenlik uyarıları



UYARI: Bu ürünle birlikte verilen tüm güvenlik uyarılarını, talimatları, çizimleri ve teknik özellikleri okuyun. Aşağıda listelenen talimatların göz ardı edilmesi elektrik çarpmasına, yangına ve/veya ciddi yaralanmaya neden olabilir.

Tüm uyarı ve talimatları ilerde başvurmak üzere saklayın. Uyarılardaki "ürün" sebebe akımıyla çalışan (kablolu) ürününüzü veya akyüle çalışan (kablesuz) ürününüzü belirtmektedir.

Çalışma alanı güvenliği

- **Çalışma alanını temiz ve iyi aydınlatılmış tutun.** Kalabalık veya karanlık alanlar kazalara neden olabilir.
- **Ürünü yanıcı maddelerin, gazların veya tozların bulunduğu patlayıcı ortamlarda çalıştırmayın.** Ürün, toz veya gazı ateşleyebilecek kıvılcımlar çıkarır.
- **Ürünü kullanırken çocukları ve çevredekiileri uzakta tutun.** Dikkatinizin dağılması, kontrolü kaybetmenize neden olabilir.

Elektrik güvenliği

- **Ürün fişleri prize uygun olmalıdır. Hiçbir zaman fişler üzerinde herhangi bir değişiklik yapmayın. Topraklı (topraklanmış) ürünlerle herhangi bir adaptör fiş kullanmayın.** Değiştirilmemiş fişler ve uygun prizler, elektrik çarpması riskini azaltır.
- **Boru, radyatör, fırın, buzdolabı gibi topraklı yüzeylerle vücut temasından kaçının.** Vücudunuz topraklı ise elektrik çarpması riski artar.
- **Ürünleri yağmura veya ıslak koşullara maruz bırakmayın.** Ürüne su girdiğinde elektrik çarpması riski artar.
- **Kabloyu kötü kullanmayın. Kabloyu asla ürünü taşımak, çekmek veya fişini çıkarmak için kullanmayın.** Kabloyu ısıdan, yağdan, keskin kenarlardan veya hareketli parçalardan uzakta tutun. Hasar görmüş veya dolaşmış kablolar, elektrik çarpması riskini artırır.
- **Ürünü dış mekanda kullanırken, dış mekan kullanımı için uygun bir uzatma kablosu kullanın.** Dış mekan için uygun bir kordon kullanmak, elektrik çarpması riskini azaltır.
- **Ürünü mutlaka nemli bir ortamda çalıştırmaz gerekiyorsa artık akım cihazı (RCD) korumalı bir güç kaynağı kullanın.** RCD kullanmak elektrik çarpması riskini azaltır.

Kişisel güvenlik

- **Ürünü kullanırken tetikte olun, dikkatinizi yaptığınız işe verin ve sağduyulu olun.** Yorgunken veya uyuşturucu, alkol ya da ilaç etkisi altındayken ürünü kullanmayın. Ürünleri kullanırken bir anlık bir dikkatsizlik, ciddi yaralanmaya neden olabilir.

- **Kişisel koruyucu ekipmanlar kullanın. Daima koruyucu gözlük takınız.** Uygun durumlarda toz maskesi, kaymayan güvenlik ayakkabıları, çelik başlık veya kulak koruma ekipmanı gibi koruyucu ekipman kullanımı yaralanmaları azaltır.
- **İstenmeyen çalıştırmaları önleyin. Güç kaynağına ve/veya akü grubuna bağlamadan, ürünü kaldırmadan veya taşımadan önce anahtarın kapalı konumunda olduğundan emin olun.** Ürünleri parmağınız çalıştırma düğmesindeyken taşımak veya açık elektrikli ürünlere enerji vermek kazalara yol açabilir.
- **Ürünü açmadan önce ayarlama anahtarlarını veya İngiliz anahtarlarını çıkartın.** Ürünün dönen kısmına takılı bırakılan İngiliz anahtarı veya anahtar yaralanmaya neden olabilir.
- **Makineyi kullanırken erişim alanınızın dışındaki yerlere uzanmaya çalışmayın. Her zaman yere sağlam basın ve dengenizi koruyun.** Bu, ürünün beklenmedik durumlarda daha iyi kontrolünü sağlar.
- **Gerektiği gibi giyinin Bol elbise veya takı giymeyin. Saçınızı ve kıyafetinizi hareketli parçalardan uzakta tutun.** Hareketli parçalara bol giysiler, takılar veya uzun saçlar takılabilir.
- **Cihazlar toz çekme ve toplama takımı bağlantısı ile geldiye bunların bağlı olduğundan ve düzgün kullanıldığından emin olun.** Toz toplama özelliği tozla ilgili tehlikeleri azaltabilir.
- **Ürünleri sık kullanmanın verdiği aşinalıkla kendinizi rahat hissedip ürün güvenliğini ilkelerinizi görmezden gelmeyin.** Dikkatsizce gerçekleştirilen işlemler bir anda ciddi yaralanmalara neden olabilir.

Ürün kullanımı ve bakımı

- **Ürünü zorlamayın. Yapacağınız iş için doğru ürünü kullanın.** Doğru ürün, tasarlandığı oranda işi daha iyi ve güvenli yapar.
- **Anahtar, ürünü açıp kapatmıyorsa ürünü kullanmayın.** Anahtar ile kontrol edilemeyen ürünler tehlikelidir ve onarılmalıdır.
- **Herhangi bir ayarlama yapmadan, aksesuar değiştirmeden veya ürünleri depolamadan önce ürünün fişini güç kaynağından çekin ve/veya çıkarılabılırsa akü grubunu çıkartın.** Bu tür önleyici güvenliğin önlemleri, ürünün kazara çalıştırılma riskini azaltır.
- **Kullanılmayan ürünleri çocukların erişemeyeceği yerde saklayın ve ürüne veya bu talimatlara yabancı olan kişilerin ürünü çalıştırmasına izin vermeyin.** Ürünler, eğitimsiz kullanıcıların elinde tehlikelidir.
- **Ürün ve aksesuarların bakımını yapın. Hareketli parçaların yanlış konumlandırılması veya bağlanması, parçaların kırılması ve ürünün çalışmasını etkileyebilecek herhangi bir durum olup olmadığını kontrol edin. Hasarlıya kullanmadan önce ürünü tamir ettirin.** Çoğu kaza yetersiz bakım yapılmış ürünlerden kaynaklanmaktadır.
- **Kesme araçlarını keskin ve temiz tutun.** Bakımı düzgün yapılmış, kesen tarafları yeterli keskinlikte

olan kesme araçlarının takılma ihtimali daha az olup kontrol etmesi daha kolaydır.

- **Ürün, aksesuarlar, araç parçaları vb. bileşenleri, çalışma koşullarını ve yapılacak işi göz önünde bulundurarak bu talimatlara uygun şekilde kullanın.** Ürünün tasarlanan amaçlar dışında kullanılması tehlikeli bir duruma yol açabilir.
- **Tutma yerlerini ve kavrama yüzeylerini kuru, temiz, gres ve yağdan arındırılmış halde tutun.** Kaygan tutma yerleri ve kavrama yüzeyleri beklenmedik durumlarda ürünün güvenli şekilde kullanılmasına ve kontrol edilmesine izin vermez.

Akülü alet kullanımı ve bakımı

- **Sadece üreticinin belirttiği şarj aletiyle şarj edin.** Bir akü grubu için uygun olan bir şarj aleti başka bir akü grubuyla kullanıldığında yangın riski doğurabilir.
- **Ürünleri yalnızca özel olarak belirlenmiş akü gruplarıyla kullanın.** Farklı türde akü gruplarının kullanılması yangın ve yaralanma riski doğurabilir.
- **Akü grubu kullanımda değilken ataç, bozuk para, anahtar, çivi, vida veya diğer küçük metal cisimler gibi bir ucun başka bir uca bağlanmasına neden olabilecek cisimlerden uzak tutun.** Akü uçlarının kısa devre yapması vücudun yanmasına veya yangına neden olabilir.
- **Zorlayıcı koşullarda aküden elektrolit sızabilir; dokunmayın. Kazayla temas ederseniz bol suyla yıkayın. Sıvı göze temas ederse ayrıca doktora başvurun.** Aküden sızan sıvı cildin tahriş olmasına veya yanıklara neden olabilir.
- **Hasarlı veya değiştirilmiş bir akü grubu veya alet kullanmayın.** Hasarlı veya üzerinde değişiklik yapılmış aküler yangın, patlama ya da yaralanma riski ile sonuçlanabilecek beklenmedik davranışlar sergileyebilir.
- **Akü grubunu veya aleti ateşe veya aşırı sıcaklığa maruz bırakmayın.** Bunların ateşe veya 130°C/265°F üzeri sıcaklığa maruz kalması patlamaya neden olabilir.
- **Tüm şarj etme talimatlarına uyun ve akü grubunu ya da aleti talimatlarda belirtilen sıcaklık aralığı dışında şarj etmeyin.** Belirtilen sıcaklık aralığının dışında veya hatalı olarak yapılan şarj işlemleri, aküye zarar verebilir ve yangın riskini artırabilir.

Hizmet

- **Ürününüzün yalnızca aynı yedek parçaları kullanan uzman bir tamirci tarafından onarılması sağlayın.** Bu, ürünün güvenliğinin sağlanması için gereklidir.
- **Hasarlı akü gruplarına asla servis işlemi uygulamayın.** Akü gruplarının servis işlemleri yalnızca üretici veya yetkili servis sağlayıcıları tarafından gerçekleştirilmelidir.

Çim biçme makinesi güvenli kullanımı

- **Çim biçme makinesini kötü hava koşullarında; özellikle de yıldırım düşmesi riski olduğu durumlarda**

kullanmayın. Bu, bir yıldırım tarafından çarpılma riskini azaltır.

- **Çim biçme makinesinin kullanılacağı alandaki doğal hayatı dikkatlice inceleyin.** Çalışma sırasında doğal hayat, çim biçme makinesi nedeniyle zarar görebilir.
- **Çim biçme makinesinin kullanılacağı alanı dikkatlice kontrol edin; tüm taşları, dal parçalarını, telleri, kemikleri ve diğer yabancı nesnelere kaldırın.** Fırlayan nesnelere yaralanmalara neden olabilir.
- **Çim biçme makinesini kullanmadan önce daima bıçağın ve bıçak tertibatının aşınmış veya hasarlı olup olmadığını gözle kontrol edin.** Aşınmış veya hasarlı parçalar yaralanma riskini artırır.
- **Çim toplama sepetinde yıpranma veya bozulma olup olmadığını sık sık kontrol edin.** Aşınmış veya hasarlı çim toplama sepeti, yaralanma riskini artırabilir.
- **Siperlikleri yerinde tutun. Siperlikler çalışır durumda olmalı ve düzgün şekilde monte edilmelidir.** Gevşek, hasarlı veya düzgün çalışmayan bir siperlik, yaralanmalara neden olabilir.
- **Soğutma havası girişlerinde döküntü olmadığından emin olun.** Tıkalı hava girişleri ve döküntüler aşırı ısınmaya veya yangın riskine neden olabilir.
- **Çim biçme makinesini kullanırken her zaman kaymayan ve koruyucu ayakkabı giyin. Çim biçme makinesini çıplak ayakla veya açık sandalet giyerek kullanmayın.** Bu, ayakların hareket eden bıçağa temas etmesiyle oluşabilecek yaralanma olasılığını azaltır.
- **Çim biçme makinesini kullanırken her zaman uzun pantolon giyin.** Açıkta kalan cilt, fırlatılan nesnelere kaynaklanan yaralanma olasılığını artırır.
- **Çim biçme makinesini ıslak çimende kullanmayın. Yürüyün, asla koşmayın.** Bu, yaralanmaya neden olabilecek kayma ve düşme riskini azaltır.
- **Çim biçme makinesini aşırı dik eğimlerde kullanmayın.** Bu, yaralanmaya neden olabilecek kontrol kaybı, kayma ve düşme riskini azaltır.
- **Eğimli yerlerde çalışırken her zaman yere sağlam basın, makineyi eğimli yüzeye paralel kullanın, asla yukarı veya aşağı doğru kullanmayın ve yön değiştirirken çok dikkatli olun.** Bu, yaralanmaya neden olabilecek kontrol kaybı, kayma ve düşme riskini azaltır.
- **Çim biçme makinesini geri hareket ettiren veya kendinize doğru çekerken çok dikkatli olun. Her zaman çevrenize dikkat edin.** Bu, çalışma sırasında takılma riskini azaltır.
- **Hareket halindeyken bıçaklara ve diğer tehlikeli hareketli parçalara dokunmayın.** Bu, hareketli parçalardan kaynaklanan yaralanma riskini azaltır.
- **Sıkışmış malzemeyi temizlerken veya çim biçme makinesini temizlerken, tüm güç anahtarlarının kapalı olduğundan ve güç kablosunun çıkarıldığından emin olun.** Çim biçme makinesinin beklenmedik şekilde çalışması ciddi yaralanmalara neden olabilir.

Artık akım cihazı

- Maksimum 30 mA kesme akımı olan bir artık akım cihazı kullanın.

Genel güvenlik talimatları



UYARI: Ürünü kullanmadan önce aşağıdaki uyarı talimatlarını okuyun.

- Bu ürün yanlış kullanıldığında veya dikkatli olmazsanız tehlikelidir. Güvenlik talimatlarına uyulmaması yaralanmalara veya ölüme yol açabilir.
- Bu ürün, çalışırken elektromanyetik bir alan oluşturur. Bu alan, bazı koşullarda aktif veya pasif tıbbi implantlarda girişime neden edebilir. Ciddi veya ölümcül yaralanma riskini azaltmak için tıbbi implantı olan kişilerin, bu ürünü kullanmadan önce doktorlarına ve tıbbi implant üreticilerine danışmalarını öneririz.
- Her zaman dikkatli olun ve sağduyunuzu kullanın. Özel bir durumda aracı nasıl kullanacağınızdan emin değilseniz durun ve devam etmeden önce Husqvarna yetkili satıcınızla görüşün.
- Diğer insanları veya bu insanlara ait mülkleri içeren kazalardan operatörün sorumlu tutulacağını unutmayın.
- Ürünü temiz tutun. İşaretleri ve etiketleri net bir şekilde okuyabildiğinizden emin olun.
- Çocukların veya bu kullanma talimatlarını bilmeyen kişilerin cihazı kullanmasına asla izin vermeyin. Yerel yönetmeliklerde operatör yaşı konusunda bir sınırlama olabilir.
- Fiziksel veya zihinsel kapasitesi düşük olan bir kişi ürünü kullanırken bu kişiyi daima gözetim altında tutun. Sorumluluk sahibi bir yetişkin her zaman orada olmalıdır.
- Ürünü yorgun, hasta veya alkol ya da ilaç etkisi altındayken kullanmayın. Bu durum görüş, dikkat, koordinasyon ve doğru bir şekilde düşünmenizi olumsuz yönde etkiler.
- Arızalıysa ürünü kullanmayın.
- Başkaları tarafından değiştirilmiş olma olasılığı varsa bu ürünü değiştirmeyin veya kullanmayın.

Çalışma güvenliği



UYARI: Ürünü kullanmadan önce aşağıdaki uyarı talimatlarını okuyun.

- Bu ürünü yalnızca çimenlik alanlarda çim kesmek için kullanın. Ürünün başka işler için kullanılması yasaktır.
- Kişisel koruyucu ekipmanlar kullanın. Bkz. *Kişisel koruyucu ekipman sayfa: 566*.
- Acil bir durumda motoru hızlı bir şekilde nasıl kapatacağınızı öğrenin.

- Ürünü yağmurda veya ıslak koşullarda çalıştırmayın. Ürünün içine su girerse elektrik çarpması riski artar.
- Bıçağı ve tüm kapakları doğru bir şekilde takmadan ürünü çalıştırmayın. Yanlış bir şekilde takılan bıçak gevşeyerek yaralanmanıza neden olabilir.
- Bıçağın taş veya kök gibi nesnelere çarpmasına dikkat edin. Bu, bıçağa zarar verebilir ve motor milini bükebilir. Bükülmüş aks, ağır titreşime ve çok yüksek bir bıçak gevşemesi riskine neden olabilir.
- Bıçak bir cisme çarpar veya titreşim oluşursa ürünü hemen durdurun. Motoru durdurun, güvenli anahtarını 0 konumuna getirin ve aküyü çıkarın. Hareketli parçalar durana kadar bekleyin. Üründe hasar olup olmadığını kontrol edin. Gevşek parçaları sıkın. Hasarları onarın ve hasarlı parçaları değiştirin. Onarımı yetkili bir servis noktasında yaptırın.
- Motor çalıştırıldığında motor fren kolunu asla sürekli olarak kola takmayın.
- Ürünü sabit ve düz bir yüzeye koyup çalıştırın. Bıçağın yere veya diğer cisimlere çarpmadığından emin olun.
- Ürünü çalıştırırken her zaman arkasında durun.
- Ürünü kullanırken tüm tekerleklerin yere basmasını sağlayın ve 2 elinizi kolun üzerinde tutun. El ve ayaklarınızı döner bıçaklardan uzak tutun.
- Motoru çalıştırırken veya ürünün çalışması sırasında ürünü eğmeyin.
- Ürünü arkaya doğru çekerken dikkatli olun.
- Motor çalışırken ürünü hiçbir zaman yukarı kaldırmayın. Ürünü kaldırmamız gerekiyorsa öncelikle motoru durdurun, güvenli anahtarını 0 konumuna getirin ve aküyü çıkarın.
- Ürünü kullanırken arkaya doğru yürümeyin.
- Ürünü taşımak için yatırmanız gerektiğinde veya çim bulunmayan alanlarda (örneğin çakıl, taş ve asfalttan yapılan yollar) hareket etmeden önce motoru durdurun.
- Motor çalışırken ürünle birlikte koşmayın. Ürünü kullanırken her zaman yürüyün.
- Kesme yüksekliğini değiştirmeden önce motoru durdurun. Motor çalışırken asla ayarlama yapmayın.
- Motor çalışırken ürünün görüş alanından çıkmasına asla izin vermeyin. Motoru durdurun ve kesme donanımının dönmediğinden emin olun.
- Çalışma sırasında üründeki titreşimler, *Teknik veriler sayfa: 577* bölümünde belirtilen titreşim değerinden farklı olabilir. Fark, ürünün kullanım şeklindeki değişikliklerden kaynaklanır. Ürünü sıklıkla veya uzun süre kullanıyorsanız titreşimlerden kaynaklanabilecek yaralanmaları önlemek için düzenli olarak mola verin.

Kullanım için güvenlik talimatları

Kişisel koruyucu ekipman



UYARI: Ürünü kullanmadan önce aşağıdaki uyarı talimatlarını okuyun.

- Kişisel koruyucu ekipmanlar yaralanma riskini tamamen engelleyemez ancak bir kaza durumunda yaralanmanın derecesini azaltır. Bayinizin doğru ekipmanı seçmenize yardımcı olmasını sağlayın.
- Ağır hizmet tipi kaymayan botlar veya ayakkabılar kullanın. Açık ayakkabılar giymeyin veya çıplak ayakla yürümeyin.
- Kalın, uzun pantolonlar giyin.
- Kesme donanımını takma, kontrol etme veya temizleme gibi gerekli durumlarda koruyucu eldivenler kullanın.
- Kulak koruma ekipmanı kullanmanızı öneririz.

Ürünün üzerindeki güvenlik aletleri



UYARI: Ürünü kullanmadan önce aşağıdaki uyarı talimatlarını okuyun.

- Güvenlik araçları arızalı olan bir ürünü kullanmayın.
- Güvenlik cihazlarını çıkarmayın veya cihazların üzerinde değişiklik yapmayın.
- Güvenlik araçlarını düzenli olarak kontrol edin. Güvenlik araçları arızalıysa Husqvarna servis noktanızla görüşün.

Kesme kapağını kontrol etme

Kesme kapağı, üründeki titreşimleri ve bıçakla yaralanma riskini azaltır.

- Çatlak gibi hasarlar olmadığından emin olmak için kesme kapağını inceleyin.

Güvenlik anahtarını kontrol etme

Güvenlik anahtarı, akü kapağının altındadır. Güvenlik anahtarı, motora güç sağlayan aküye bağlanır.

- Güvenlik anahtarını kontrol etmek için motoru çalıştırın ve durdurun.
- Güvenlik anahtarı doğru çalışıyorsa motor sadece güvenlik anahtarı 1 konumuna getirildiğinde çalışır. (Şek. 24)

Motor freni tutma yerini kontrol etme

Motor fren kolu motoru durdurur. Motor fren kolu serbest bırakıldığında motor durur.

- Ürünü çalıştırın. Bkz. *Ürünü çalıştırma sayfa: 571*.
- Motor fren kolunu serbest bırakın. (Şek. 25)
- Ürünün durduğundan emin olun. Motor 3 saniye içinde durmazsa motor frenini onaylı bir Husqvarna servis noktasına ayarlatın.

Başlatma engelleyiciyi kontrol etme

Motorun çalışmasını engellediğinden emin olmak için başlatma engelleyiciyi kontrol edin.

1. Motor freni kolunu gidonun yönünde itin. Başlatma engelleyici hareketi durdurur.

2. Başlatma engelleyiciyi dışarı doğru itin. (Şek. 26)
3. Başlatma engelleyiciyi serbest bırakın ve başlangıç konumuna geri döndüğünden emin olun.

Akü güvenliği



UYARI: Güvenlik bilgilerini ve genel talimatları okuyun. Güvenlik bilgilerini ve genel talimatların görmezden gelinmesi durumunda elektrik çarpması, yangın ve/veya ciddi yaralanmalar meydana gelebilir. **Tüm güvenlik bilgilerini ve genel talimatları her yerde başvurmak üzere saklayın.**

- **Bu güvenlik talimatları yalnızca POWER FOR ALL sisteminin 18 V Lityum İyon şarj edilebilir aküleri için geçerlidir.**
- **Şarj edilebilir aküyü yalnızca POWER FOR ALL Sistem ortaklarının ürünlerinde kullanın.** POWER FOR ALL ile etiketli 18 V şarj edilebilir aküler aşağıdaki ürünlerle tam uyumludur:
 - 18 V POWER FOR ALL akü sisteminin tüm ürünleri.
 - POWER FOR ALL Sistem ortaklarından tüm 18 V'lik ürünler.
- **Ürününüzün kullanım kılavuzundaki akü tavsiyelerini dikkate alın.** Şarj edilebilir akü ve ürün yalnızca bu şekilde tehlike olmadan kullanılabilir ve şarj edilebilir aküler tehlikeli aşırı yüklemeye karşı korunabilir.
- **Aküleri yalnızca üretici veya POWER FOR ALL sistem ortakları tarafından önerilen şarj cihazlarını kullanarak şarj edin.** Bir tip akü için uygun olan bir şarj cihazı başka bir aküyle kullanıldığında yangın riski doğurabilir.
- **Akü kısmen şarj edilmiş olarak verilir.** Akünün tam kapasitede olduğundan emin olmak için elektrikli aletinizi ilk defa kullanmadan önce ürünün aküsünün tamamen şarj edin.
- **Akü gruplarını çocukların ulaşamayacağı yerlerde tutun.**
- **Aküyü açmayın.** Kısa devre riski vardır.
- **Akünün hasar görmesi veya yanlış kullanılması durumunda duman salınımı gerçekleşebilir. Akü alev alabilir veya patlayabilir.** Ortamı iyice havalandırın ve olumsuz etkiler görülmesi durumunda tıbbi yardım alın. Ortaya çıkan dumanlar solunum sistemini tahriş edebilir.
- **Yanlış kullanılırsa veya akü zarar görürse aküden yancısı sıvı sızabilir. Bu sıvıyla temas etmeyin. Kazara temas ederseniz bol suyla yıkayın. Sıvı gözlerinizle temas ederse tıbbi yardım alın.** Aküden sızan sıvı cildin tahriş olmasına veya yanıklara neden olabilir.
- **Akünün hasar görmesi durumunda sızan sıvı yakın yüzeyleri kaplayabilir. Etkilenen parçaları kontrol edin.** Bu parçaları temizleyin veya gerekirse değiştirin.
- **Akü grubuna kısa devre yaptırmayın. Akü grubunu, kullanımda değilken ataç, bozuk para, anahtar,**

- çivi, vida veya diğer küçük metal cisimler gibi bir ucun başka bir uca bağlanmasına neden olabilecek cisimlerden uzak tutun.** Akü uçlarının kısa devre yapması yanıklara veya yangına neden olabilir.
- **Akü; çivi veya tornavida gibi sivri nesnelere ya da dışarıdan uygulanan kuvvettten zarar görebilir.** Akünün yanmasına, duman çıkarmasına, patlamasına veya aşırı ısınmasına neden olacak bir dahili kısa devre meydana gelebilir.
 - **Hasarlı akü gruplarına asla servis işlemi uygulamayın.** Akü gruplarının servis işlemleri yalnızca üretici veya yetkili servis sağlayıcıları tarafından gerçekleştirilmelidir.
 - **Aküyü ısıya (sürekli yoğun gün ışığı, ateş, toprak, su ve nem) karşı koruyun.** Patlama ve kısa devre riski vardır.
 - **Üründeki aküyü yalnızca 0 °C – +40 °C arasındaki ortam sıcaklıklarında kullanın.**
 - **Aküyü yalnızca -20 °C – +50 °C arasındaki ortam sıcaklıklarında saklayın.** Örneğin, yaz aylarında aküyü arabanızda bırakmayın. 0°C'nin altındaki sıcaklıklarda bazı cihazlarda güç kaybı yaşanabilir.
 - **Aküyü yalnızca 0°C – +35°C arasındaki ortam sıcaklıklarında şarj edin.** Şarj edilebilir aküyü yalnızca +10°C – +35°C arasındaki ortam sıcaklıklarında bir USB kablosu ile şarj edin. Akünün bu sıcaklık aralığı dışında şarj edilmesi akünün hasar görme riskini artırır ve yangın tehlikesi oluşturabilir.

Akü şarj cihazı güvenliği



UYARI: Güvenlik bilgilerini ve genel talimatları okuyun. Güvenlik bilgilerinin ve genel talimatların görmezden gelinmesi durumunda elektrik çarpması, yangın ve/veya ciddi yaralanmalar meydana gelebilir. **Bu talimatları güvenli bir yerde saklayın.** Şarj cihazını yalnızca tüm işlevlerin tam olarak çalıştığını onaylayabiliyor ve bunları kısıtlama olmadan gerçekleştirebiliyor veya ilgili talimatları aldıysanız kullanın.

- **Bu şarj cihazı çocuklar veya fiziksel, duyuşal ya da zihinsel engelli ya da deneyimsiz ve bilgisiz kişiler tarafından kullanılmak üzere tasarlanmamıştır.** Bu şarj cihazı, 8 yaş ve üzeri çocuklar ile fiziksel, duyuşal veya zihinsel engelli ya da deneyimsiz veya bilgisiz kişiler tarafından, güvenliklerinden sorumlu bir kişi onları gözetim altında tutarsa veya şarj cihazının güvenli bir şekilde çalıştırılması konusunda onlara talimat verirse ve ilgili tehlikeleri anlarsa kullanılabilir. Aksi takdirde çalışma hataları oluşması ve yaralanma riski vardır.
- **Kullanım, temizlik ve bakım sırasında çocukları gözetin.** Bu sayede çocukların şarj cihazıyla oynamasını engelleyebilirsiniz.
- **Yalnızca 1,5 Ah kapasiteli 18 V POWER FOR ALL sistemi akülerini şarj edin.** Akü voltajı, şarj cihazının akü şarj voltajıyla eşleşmelidir. Şarj

edilebilir olmayan aküleri şarj etmeyin. Aksi takdirde yangın ve patlama riski vardır.

- **Şarj cihazını yalnızca kapalı alanlarda kullanın ve ıslak koşullara maruz bırakmayın.** Elektrikli aletin giren su, elektrik çarpması riskini artırır.
- **Şarj cihazını temiz tutun.** Kir, elektrik çarpması riski oluşturur.
- **Kullanımdan önce her zaman şarj cihazını, kablolu ve fişi kontrol edin.** Herhangi bir hasar tespit ederseniz şarj cihazını kullanmayı bırakın. Şarj cihazını kendi başınıza açmayın. Onarım işlemleri yalnızca orijinal yedek parçalar kullanılarak Husqvarna veya yetkili bir satış sonrası servis merkezi tarafından yapılmalıdır. Hasar görmüş şarj cihazları, kablolar ve fişler elektrik çarpması riskini artırır.
- **Şarj cihazını kolaylıkla alev alabilecek (ör. kağıt ve kumaş gibi) yüzeyler üzerinde veya yanıcı ortamlarda çalıştırmayın.** Şarj cihazı çalışması sırasında ısındığı için yangın riski vardır.
- **Şarj cihazının havalandırma deliklerini kapatmayın.** Aksi takdirde şarj cihazı aşırı ısınabilir ve düzgün çalışmayabilir.
- **Sadece üreticinin belirttiği şarj aletiyle şarj edin.** Bir akü grubu için uygun olan bir şarj aleti başka bir akü grubuyla kullanıldığında yangın riski doğurabilir.
- **Akünün hasar görmesi veya yanlış kullanılması durumunda duman salınımı da gerçekleşebilir.** Ortamı iyice havalandırın ve olumsuz etkiler görülmesi durumunda tıbbi yardım alın. Ortaya çıkan dumanlar solunum sistemini tahriş edebilir.
- **Zorlayıcı koşullarda aküden sıvı sızabilir.** Bu sıvıyla temas etmeyin. Kazara temas ederseniz bol suyla yıkayın. Sıvı gözlerinize temas ederse tıbbi yardım alın. Aküden sızan sıvı cildin tahriş olmasına veya yanıklara neden olabilir.
- **Yalnızca Büyük Britanya'da satılan ürünler:** Ürününüzde, dahili sigortası bulunan BS 1363/A onaylı bir elektrik fişi bulunur (BS 1362 uyarınca ASTA onaylı). Fişiniz, priz çıkışlarına uymuyorsa fiş prizden çıkarılmalı ve yetkili müşteri hizmetleri noktası tarafından yerine uygun bir fiş takılmalıdır. Yedek fiş, orijinal fiş ile aynı sigorta değerine sahip olmalıdır. Olası bir elektrik çarpması tehlikesini önlemek için çıkarılan fiş bertaraf edilmelidir ve asla başka bir duvar prize takılmamalıdır.

Bakım için güvenlik talimatları



UYARI: Ürünü kullanmadan önce aşağıdaki uyarı talimatlarını okuyun.

- Bakım sırasında yanlışlıkla çalıştırmayı önlemek için güvenlik anahtarını 0 konumuna getirin ve aküyü çıkarın. Bakıma başlamadan önce en az 5 saniye bekleyin.
- Yalnızca bu kullanım kılavuzunda belirtilen bakım çalışmasını yapın. Bu kapsamin dışındaki işlemler ve profesyonel onarımlar, onaylı bir servis noktası

tarafından yapılmalıdır. Daha fazla bilgi için size en yakın servis noktası ile görüşün.

- Ürünü ömrünü uzatmak ve kaza riskini azaltmak için bakım işini doğru şekilde yapın.
- Hasarlı, aşınmış veya bozuk parçaları değiştirin. Her zaman üreticinin orijinal yedek parçalarını kullanın. Diğer yedek parçalar üründe hasara neden olabilir ve kaza riskini artırabilir.
- Yaralanmaları önlemek için güvenlik cihazlarını çıkarmayın veya cihazların üzerinde değişiklik yapmayın.
- Kesme donanımını kullanırken ağır hizmet tipi eldiven giyin. Bıçak çok keskindir ve kolaylıkla kesiklere yol açabilir.

- En iyi ve en güvenli performans için kesme kenarlarının keskin ve temiz olmasına özen gösterin.
- Servis noktanızın düzenli olarak ürünü kontrol etmesini ve gerekli ayarları ve onarımları yapmasını sağlayın.
- Aksesuar değiştirmeye ilgili talimatlara uyun. Yalnızca üreticiden gelen aksesuarları kullanın.
- Çalışmadığı zaman ürünü, aküyü ve akü şarj cihazını ayrı olarak kuru, kapalı ve kilitleli bir alanda saklayın. Çocukların ve onaylı olmayan kişilerin ürüne, aküye veya akü şarj cihazına erişemediklerinden emin olun.

Montaj

Giriş



UYARI: Ürünü monte etmeden önce, güvenlik bölümünü okuyun.



UYARI: Montaj sırasında yanlışlıkla çalıştırmayı önlemek için güvenlik anahtarını 0 konumuna getirin, aküyü çıkarın ve en az 5 saniye bekleyin.

Tutma yeri yüksekliğini ayarlama

Üründe serbest tutma yeri yüksekliği ayarı aralığı bulunur. Tutma yeri yüksekliği, 2 ayar noktası arasında uygun bir yüksekliğe ayarlanabilir.

1. Ürünü çalıştırma konumuna getirin. Talimatlar için bkz. *Ürünü çalıştırma konumuna getirme sayfa: 570.*
2. Gidonların üzerindeki kilitleme düğmelerini saat yönünün tersine çevirin. (Şek. 27)
3. Gidonları uygun bir konuma çekin.
4. 2 gidonu düz bir şekilde yerleştirin.



DİKKAT: Gidonlar düz değilse ürün hasar görür.

5. Gidonların üzerindeki kilitleme düğmelerini saat yönünde çevirin.
6. Kilitleme düğmelerini tamamen sıkın.

Çim toplama sepetini takma

1. Arka kapağı kaldırın.

2. Malç tapasını çıkarın.
3. Çim toplama sepetini şasinin üst kenarına takın.
4. Çim toplama sepetinin alt kısmını çim boşaltma kanalına doğru yerleştirin. (Şek. 28)



DİKKAT: Çim toplama sepetinin ürünü şasisine doğru şekilde sabitlendiğinden emin olun.

Malç tapasını takma

1. Arka kapağı kaldırın ve çim toplama sepetini çıkarın.
2. Bir tık sesi duyana kadar malç tapasını boşaltma kanalının içine doğru itin. (Şek. 29)

Kancayı duvara monte etme

- Kancayı iç mekanda monte edin.
- Kancayı güneş ışığından uzak ve -10°C ile +70°C arası bir ortam sıcaklığında tutun.
- Kancayı alçıpan, ahşap veya beton duvara monte edin.



DİKKAT: Duvarın en az 30 kg yük taşıyabildiğinden emin olun.

- Kancayı, 3 vida (A) ile duvara monte edin. Gerekirse dübel (B) kullanın. (Şek. 30)



DİKKAT: Vidaların duvar tipinize uygun olduğundan emin olun.

- Ürünüze yönelik mevcut depolama aksesuarları hakkında bilgi almak için Husqvarna servis noktanızla görüşün.

Çalışma

Giriş



UYARI: Ürünü kullanmadan önce güvenlik bölümünü okuyup anlamalısınız.

Husqvarna Connect

Husqvarna Connect, mobil cihazınız için ücretsiz bir uygulamadır. Husqvarna Connect uygulaması, Husqvarna ürününüz için ayrıntılı işlevler sunar:

- Ayrıntılı ürün bilgileri.
- Ürün parçaları ve servis hakkında bilgi ve yardım.

Husqvarna Connect uygulamasını kullanmaya başlamak için

1. Husqvarna Connect uygulamasını mobil cihazınıza indirin.
2. Husqvarna Connect uygulamasında kaydolun.
3. Ürünü bağlamak ve kaydetmek için Husqvarna Connect uygulamasındaki talimatları izleyin.

Not: Husqvarna Connect uygulaması tüm pazarlarda indirilemez. Daha fazla bilgi için lütfen servis bayinizle görüşün.

Ürünü çalıştırma konumuna getirme

1. Tutma yeri topuzlarını kilidi açık konumuna getirin. (Şek. 31)
2. Bir tık sesi duyana kadar tutma yerini yukarı katlayın. (Şek. 32)



DİKKAT: Kabloların çok gergin olmadığından emin olun. Fazla gerginlik, tutma yeri taşıma konumuna katlandığında kablunun hasar görmesine neden olabilir.



UYARI: Tutma yerinin tamamen yukarı katlandığından ve kilitleti konumda olduğundan emin olun.

3. Tutma yeri yüksekliğini ayarlayın. Talimatlar için bkz. *Tutma yeri yüksekliğini ayarlama sayfada: 569.*

Kesim yüksekliğini ayarlama

1. Kesim yüksekliğini artırmak için kesim yüksekliği kolunu arkaya getirin.
2. Kesim yüksekliğini azaltmak için kesim yüksekliği kolunu öne getirin. (Şek. 33)



DİKKAT: Kesim yüksekliğini çok alçakta belirlemeyin. Bahçenin yüzeyi düz değilse bıçaklar yere çarpabilir.

Akü



UYARI: Aküyü kullanmadan önce güvenlik bölümünü okuyup anlamalısınız. Akü ve akü şarj cihazına ait kullanım kılavuzunu da okuyup anlamalısınız.

Aküyü ve akü şarj cihazını doğru ortam sıcaklıklarında tutun.

| | Ortam sıcaklığı |
|----------------------------------|-----------------|
| Ürünün içindeki akünün çalışması | 0 °C – +40 °C |
| Akü şarj etme sıcaklığı | 0 °C – +35 °C |

Aküyü şarj etme

İlk kullanımdan önce aküyü şarj edin.

Not: Şarj işlemi yalnızca akü sıcaklığı, izin verilen şarj sıcaklığı aralığında (0–45°C) olduğunda mümkündür.

1. Akü şarj cihazının güç kablosunu topraklamalı bir elektrik prizine bağlayın.



DİKKAT: Şebeke voltajının ve frekansının doğru olduğundan emin olun.

2. Aküyü, akü şarj cihazına yerleştirin. Yeşil renkli LED yanıp söndüğünde akü, akü şarj cihazına bağlanmıştır. (Şek. 34)
3. Akü şarj cihazındaki yeşil renkli LED sürekli olarak yandığında akü tamamen şarj olmuştur. Aküyü en fazla 24 saat boyunca şarj edin.
4. Şarj cihazının şebeke bağlantısını kesin.



DİKKAT: Güç kablosunu çekmeyin.

5. Aküyü, akü şarj cihazından çıkarın.

Akü şarj cihazındaki akü durum LED'i

Akü şarj cihazındaki kırmızı renkli LED (A) ve yeşil renkli LED (B), akü durumunu gösterir. Bkz. *Akü şarj cihazında sorun giderme sayfada: 573.*

(Şek. 35)

| LED | Akü durumu |
|--|--|
| Yeşil renkli LED hızlıca yanıp sönmektedir. | Akü şarj ediliyordur. |
| Yeşil renkli LED yanıp sönmektedir. | Akü, %80 oranında şarj olmuştur. |
| Yeşil renkli LED sürekli olarak yanmaktadır. | Akü tamamen şarj olmuştur. |
| Kırmızı renkli LED sürekli olarak yanmaktadır. | Bkz. <i>Akü şarj cihazında sorun giderme sayfa: 573.</i> |
| Kırmızı renkli LED hızlıca yanıp sönmektedir. | Bkz. <i>Akü şarj cihazında sorun giderme sayfa: 573.</i> |

Ürün üzerindeki akü durumu LED'i

Akü ürüne takıldığında, ürün üzerindeki LED'ler akü durumunu gösterir.

(Şek. 36)

| LED | Akü durumu |
|----------------------------|--|
| LED 1, 2 ve 3 yanmaktadır. | Tamamen şarj edilmiştir. |
| LED 1 ve 2 yanmaktadır. | Yeterli miktarda şarj olmuştur. |
| LED 1 yanmaktadır. | Akü gücü düşüktür. |
| LED 1 yanıp sönmektedir. | Akü boştur. Akü durum göstergesi yanıp sönmektedir. Aküyü şarj edin. Bkz. <i>Aküyü şarj etme sayfa: 570.</i> |

Ürünü çalıştırma

1. Akü kapağını açın.
2. Akü tutucusuna şarj olmuş bir akü yerleştirin.
3. Güvenlik anahtarını 1 konumuna getirin. (Şek. 37)
4. Ürünün arkasında durun.
5. Başlatma engelleyiciyi gevşetin. (Şek. 26)
6. Motor fren kolunu gidonun yönünde itin. (Şek. 38)

Yüksek yük işlevi

Ürün uzun veya ıslak çimi keserken motor otomatik olarak devri yükseltir. Yüksek yük gerekmediğinde motor, standart moda geri döner.

Motor duruyor

Çalışma sırasında bıçak ve motor, kesme kapağının altındaki çimden kaynaklanan tıkanma gibi engeller nedeniyle geçici olarak durabilir. Bkz. *Ürünün temizlenmesi sayfa: 572.*



UYARI: Kesme kapağını kontrol etmeden önce motor fren kolunu serbest bırakın, güvenlik anahtarını 0 konumuna getirin, aküyü çıkarın ve en az 5 saniye bekleyin. Tıkanıklık giderildiği sırada ürün yanlışlıkla çalışırsa yaralanma riski vardır.

Ürünü durdurma



UYARI: Ürünü görüş alanınızın dışında bırakmadan önce güvenlik anahtarını 0 konumuna getirin.

1. Motoru durdurmak için motor fren kolunu serbest bırakın. (Şek. 39)
2. Akü kapağını açın ve güvenlik anahtarını 0 konumuna getirin. (Şek. 40)
3. Aküyü çıkarmak için serbest bırakma düğmesine basın ve aküyü çekip çıkarın. (Şek. 41)
4. Akünün gücü zayıfsa aküyü şarj edin. Daha fazla bilgi için bkz. *Aküyü şarj etme sayfa: 570.*

İyi sonuç alma

- Her zaman keskin bıçak kullanın. Kör bıçak, düzensiz bir sonuç verir ve çimin kesme yüzeyi sarı olur. Ayrıca keskin bıçak kör bıçaktan daha az güç kullanır.
- Çim boyunun 1/3'ünden fazlasını kesmeyin. Önce kesme yüksekliği yüksek ayardayken kesmeye başlayın. Sonucu inceleyin ve kesme yüksekliğini uygun seviyeye indirin. Çimler çok uzunsa makineyi yavaş kullanın ve gerekirse 2 kere kesin.
- Her seferinde farklı yönlerde keserek çimenlik alanda çizgi oluşmasını önleyin.
- Kesme kapağını temiz tutun. Kesme kapağının iç tarafında çim ve kir birikmesi kesme performansını zayıflatabilir. Bkz. *Ürünün temizlenmesi sayfa: 572.*

Bakım

Giriş



UYARI: Bakım yapmadan önce güvenlik bölümünü okuyup anlamanız gerekir.

Ürüne uygulanacak tüm servis ve onarım işlemleri için özel eğitim gereklidir. Profesyonel onarım ve servis hizmetlerinin mevcut bulunduğunu garanti etmekteyiz. Yetkili satıcınız servis noktası değilse kendisiyle görüşüp en yakınınızdaki servis noktası hakkında bilgi edinin.

Daha ayrıntılı bilgi için bkz. www.husqvarna.com.

Bakım takvimi

Bakım aralıkları, ürünün günlük kullanımına göre hesaplanır. Ürün her gün kullanılmıyorsa aralıklar değişir.

* İşaretili bakım için şu bölümdeki talimatlara bakın:
Güvenlik sayfa: 563.

| | Her kullanımda | Aylık | Her mevsimde |
|---|----------------|-------|--------------|
| Genel inceleme yapın. | X | | |
| Ürünü temizleyin. | X | | |
| Başlatma engelleyiciyi kontrol edin. * | X | | |
| Üründeki güvenlik araçlarının hatalı olmadığından emin olun. * | X | | |
| Kesme ekipmanını kontrol edin. | X | | |
| Kesme kapağını kontrol edin. * | X | | |
| Motor fren kolunu kontrol edin. * | X | | |
| Aküde hasar olup olmadığını kontrol edin. | X | | |
| Akü şarjını kontrol edin. | X | | |
| Aküdeki serbest bırakma düğmesinin doğru şekilde çalıştığından ve akünün ürüne sabitlendiğinden emin olun. | X | | |
| Akü şarj cihazında hasar olup olmadığını kontrol edin ve cihazın doğru şekilde çalıştığından emin olun. | | X | |
| Akü ile ürün arasındaki bağlantıları kontrol edin. Akü ile akü şarj cihazı arasındaki bağlantıyı da kontrol edin. | | | X |

Genel denetim yapma

- Ürünün üzerindeki somun ve vidaların sıkı olduğundan emin olun.
- Üründeki kabloların hasar görebilecekleri bir konumda olmadığından emin olun.

Ürünün temizlenmesi

- Plastik parçaları temiz ve kuru bir bezle temizleyin.
- Ürünü temizlemek için su kullanmayın. Aküye veya motora su girebilir ve üründe kısa devreye veya hasara neden olabilir.
- Ürünü temizlemek için yüksek basınçlı yıkayıcı kullanmayın.
- Motora doğrudan su tutmayın.
- Yaprak, çim ve kirleri gidermek için fırça kullanın.

Aküyü ve akü şarj cihazını temizleme



UYARI: Aküyü veya akü şarj cihazını suyla temizlemeyin.



UYARI: Aküyü temizlemek için kimyasal maddeler kullanmayın.

- Aküyü akü şarj cihazına yerleştirmeden önce akünün ve akü şarj cihazının temiz ve kuru olduğundan emin olun.
- Akü terminalerini basınçlı hava ile temizleyin veya yumuşak ve kuru bir bez ile silin.

- Akü ve akü şarj cihazının yüzeylerini yumuşak ve kuru bir bezle temizleyin.

Kesme donanımını kontrol etme



UYARI: Yanlışlıkla çalıştırmayı önlemek için güvenlik anahtarını 0 konumuna getirin, aküyü çıkarın ve en az 5 saniye bekleyin.



UYARI: Kesme donanımına bakım yaptığınızda koruyucu eldivenler kullanın. Bıçak çok keskindir ve kolaylıkla kesiklere yol açabilir.

1. Kesme donanımında hasar veya çatlak olup olmadığını inceleyin. Hasarlı bir kesme donanımını kesinlikle değiştirin.
2. Hasarlı veya kör olup olmadığını anlamak için bıçağa bakın.

Not: Bilendikten sonra bıçağı dengelemek gerekir. Bıçağın bir servis merkezinde bilenmesini, değiştirilmesini ve dengelenmesini sağlayın. Ürünün durmasına neden olan bir engele çarparsanız hasarlı bıçağı değiştirin. Bıçağın bilenip bilenmeyeceğini veya değiştirmek gerekip gerekmediğine servis merkezinin karar vermesini sağlayın.

Bıçağı değiştirme

Doğru bıçak tipi için *Teknik veriler sayfada: 577* bölümüne başvurun.



UYARI: Bıçağı değiştirirken parmaklarınızın yaralanmasını önlemek için bıçağı bir tahta blok ile kilitleyin. Motor kapalıyken bıçak hareket ettirilebilir ve parmaklarınız, bıçak ile sabit parçalar arasında sıkışabilir.

1. Bıçağı aışap bir blokla kilitleyin. (Şek. 42)
2. Bıçak civatasını sökün.
3. Bıçağı sökün.
4. Bıçak desteğinde ve bıçak civatasında hasar olup olmadığını kontrol edin.
5. Motor milini inceleyip bükülmediğinden emin olun.
6. Yeni bıçak taktığınızda bıçağın açılı uçlarını kesme kapağı yönüne doğrultun. (Şek. 43)
7. Bıçağın, motor milinin orta kısmıyla hizalandığından emin olun.
8. Bıçağı aışap bir blokla kilitleyin. Yaylı rondela takıp civatayı ve rondelayı 23-28 Nm'lik torkla sıkın. (Şek. 44)
9. Bıçağı elinizle çekerek döndürün ve serbestçe döndüğünden emin olun.



UYARI: Ağır hizmet tipi eldiven kullanın. Bıçak çok keskindir ve kolaylıkla kesiklere yol açabilir.

10. Bıçağı test etmek için ürünü çalıştırın. Bıçak doğru bir şekilde takılmadıysa üründe titreşim olur veya kesme işleminin sonucu başarısızdır.

Sorun giderme

Akü şarj cihazında sorun giderme

| Akü şarj cihazındaki LED | Neden | Çözüm |
|---|---|---|
| Yeşil renkli LED yanıyor ve kırmızı renkli LED yanıp sönüyor. | Akü, akü şarj cihazına doğru şekilde takılmamıştır. | Aküyü şarj cihazından çıkarın ve aküyü, akü şarj cihazına tekrar takın. |
| | Akü konektörleri kirlidir. | Akü konektörlerini temizleyin. |
| | Şarj cihazı dahili bir hata tespit etti. | Tüm akülerin tam olarak takıldığından emin olun. Şebeke fişini çıkarın ve yeniden takın. Hata tekrar olursa şarj cihazını Husqvarna ürünleri için yetkili bir satış sonrası servis merkezine kontrol ettirin. |
| | Akü arızalıdır. | Aküyü değiştirin. |
| Kırmızı renkli LED yanıyor, yeşil renkli LED yanmıyor. | Akü sıcaklığı şarj etme aralığının dışında. | Akü sıcaklığı, tekrar izin verilen şarj sıcaklığı aralığında (0-45°C) olana kadar bekleyin. |

| Akú řarj cihazındaki LED | Neden | Çözüm |
|--|---|--|
| Yeřil renkli LED ve kırmızı renkli LED yanmıyor. | Akú řarj cihazı řebeke prizine dođru řekilde bađlanmamıřtır. | Akú řarj cihazını bir řebeke prizine takın. |
| | Arızalı řebeke prizi. | Akú řarj cihazını nominal deđerler plakasında belirtilen voltaj ve frekansa uygun olarak bađlayın. |
| | Akú řarj cihazı kablosu arızalıdır. | Onaylı bir servis noktasıyla görüřün. |
| | Akú řarj cihazı arızalıdır. | |
| Diđer hatalar. | Bařka hatalar oluřması durumunda ürünün kapalı olduđundan emin olun, aküyü çıkarın ve onaylı bir servis noktasıyla iletiřime geçin. | |

Çim biçme makinesinde sorun giderme

Uyarı göstergesi (hata LED'i) ürünün arkasında, akü kapađının arkasında bulunur.

| Sorun | Hata LED'i (yanıp sönme sayısı) | Neden | Çözüm |
|--|---------------------------------|--|--|
| Hata LED'i yanıp sönüyor. Ürün düz- gün çalışmıyor. | 5 | Bıçak tıklı. | Yanlıřlıkla çalıştırmayı önlemek için gü- venlik anahtarını 0 konumuna getirin. Aküyü çıkarın ve en az 5 saniye bek- leyin. Olası engelleri kaldırın ve bıça- đın serbestçe dönebildiđinden emin olun. Sorun devam ederse yetkili bir servis noktasıyla görüřün. |
| | | Motor devri çok düşüyor ve motor duruyor. | Kesim yüksekliđini artırın. Bkz. <i>Kesim yüksekliliđini ayarlama sayfada: 570.</i> |
| | 10 | Motor denetleyicisi çok sıcak. | Motoru durdurun ve sođyuna kadar bekleyin. |

| Sorun | Hata LED'i (yanıp sönmeye sayısı) | Neden | Çözüm |
|--|---|--|--|
| Hata LED'i yanıp sönmüyor. Ürün duruyor. | 22 | Çalışma ortamındaki sıcaklık çok yüksek olduğundan akü sıcaklığı çok yüksek. | Aküyü makineden çıkarın ve makineyi tekrar çalıştırmadan önce akünün soğumasını bekleyin. Ortam sıcaklığının doğru olduğundan emin olun. Aküyü 0°C - +40°C arasındaki sıcaklıklarda kullanın. Sorun devam ederse yetkili bir servis temsilcisiyle görüşün. |
| | | Motorda aşırı yüklenme olduğundan akü sıcaklığı çok yüksek | Kesim yüksekliğini artırın. Bkz. <i>Kesim yüksekliğini ayarlama sayfa: 570</i> . Sorun devam ederse yetkili bir servis noktasıyla görüşün. |
| | 0 | Akü konektörü arızası. | Akü konektörünü kontrol edin. |
| | 3 | Motorda aşırı yüklenme var. | Kesim yüksekliğini artırın. Bkz. <i>Kesim yüksekliğini ayarlama sayfa: 570</i> . |
| | 9 | Akü hatası oluştu veya akü sinyali yok. | Aküyü ürüne doğru şekilde yerleştirin ve akü konektörünü kontrol edin. Aküdeki hata LED'i yanıp sönerse bkz. <i>Akü şarj cihazında sorun giderme sayfa: 573</i> . Sorun devam ederse yetkili bir servis noktasıyla görüşün. |
| | 8 | Akünün gücü zayıf. | Aküyü şarj edin. Bkz. <i>Aküyü şarj etme sayfa: 570</i> . |
| | 12 | Hatalı çalıştırma prosedürü. Motor çalışmadan önce motor fren kolu devreye alınmıştır. | Motor fren kolunu serbest bırakın ve yaklaşık 5 saniye bekleyin. Ürünü çalıştırmak için motor fren kolunu tekrar aşağı itin. |
| Diğer hatalar. | Başka hatalar oluşursa güvenlik anahtarını 0 konumuna getirin, aküyü çıkarın ve onaylı bir servis noktasıyla görüşün. | | |

Taşıma, depolama ve atma

Giriş



UYARI: Taşıma ve depolama sırasında yanlışlıkla çalışmayı önlemek için güvenlik anahtarını 0 konumuna getirin, aküyü çıkarın ve en az 5 saniye bekleyin.

- Tutma yeri topuzlarını kilidi açık konumuna getirin. (Şek. 46)
- Bir tık sesi duyana kadar tutma yerini aşağı katlayın. (Şek. 47)

Doğru bıçak tipi için *Ürünü depolama konumuna getirme sayfa: 576* bölümüne başvurun.

Ürünü taşıma konumuna getirme

- Çim toplama sepetini çıkarın ve çim toplama sepetinin boş olduğundan emin olun.
- Tutma yerindeki kilitleme düğmelerini saat yönünün tersine çevirerek kilitleme açık konumuna getirin. (Şek. 45)
- Tutma yerini arka kapak yönünde itin.
- Tutma yerindeki kilitleme düğmelerini saat yönünde çevirerek kilitleme konumuna getirin.

Taşıma

- Ürün içindeki Lityum iyon aküler Tehlikeli Maddeler Kanunu gerekliliklerine tabidir.
- Ticari amaçlı taşımalarda, paketteki ve etiketlerdeki özel gerekliliklere uyulmalıdır.
- Ürünü taşıma için hazırlarken tehlikeli malzeme yönetmeliklerine uyduğunuzdan emin olun. Yerel yönetmelikler uygulanabilir.
- Ürünü taşıırken aküyü kesinlikle çıkarın.

- Akü konektörlerine bant yapıştırın ve taşıma sırasında akünün hareket edemeyeceğinden emin olun.
- Taşıma sırasında ürünü bağlayın.

Depolama

- Depolamadan önce ürünün soğumasını bekleyin.
- Ürünü depolarken aküyü kesinlikle çıkarın.
- Kazaları önlemek için depolama sırasında akünün ürüne bağlı olmadığını emin olun.
- Akü şarj cihazını kapalı ve kuru bir alanda tutun.
- Aküyü ve akü şarj cihazını, nem veya don olmayan kuru bir alanda tutun.
- Depolama sırasında aküyü şarj cihazından ayırın.
- Aküyü, statik elektrik oluşabilecek yerlerde tutmayın. Aküyü metal bir kutuda tutmayın.
- Ürünü, ortam sıcaklığının -20°C ile +50°C arasında olduğu bir yerde tutun.
- Aküyü, ortam sıcaklığının -20°C ile +50°C arasında olduğu ve güneş ışığı almayan yerlerde tutun.
- Akü şarj cihazını kuru, kapalı ve donmayan bir yerde depolayın.
- Uzun süreli depolamadan önce akünün temiz ve şarj edilmiş olduğundan emin olun.
- Ürünü, aküyü ve akü şarj cihazını, çocukların ve onaylı olmayan kişilerin erişemeyeceği kilitli bir alanda tutun.
- Ürünü temizleyin ve çim toplama sepetinin boş olduğundan emin olun.
- Bu kullanım kılavuzunda verilen bakım prosedürlerini gerçekleştirin. Bkz. *Bakım sayfada: 572.*
- Ürünü uzun süre depolamadan önce ürüne eksiksiz bir bakım yapın.

Ürünü depolama konumuna getirme



UYARI: Taşıma ve depolama sırasında yanlışlıkla çalışmayı önlemek için güvenlik anahtarını 0 konumuna getirin, aküyü çıkarın ve en az 5 saniye bekleyin.

1. Aküyü çıkarın.
2. Ürünü taşıma konumuna getirin. Doğru bıçak tipi için *Ürünü taşıma konumuna getirme sayfada: 575.*
3. Ürünü depolama konumuna taşıyın.

Ürünü zeminin üzerinde yatay olarak depolama

1. Ürünü depolama konumuna getirin. Doğru bıçak tipi için *Ürünü depolama konumuna getirme sayfada: 576.*
2. Çim toplama sepetini takın. Doğru bıçak tipi için *Çim toplama sepetini takma sayfada: 576.*
3. Ürünü zeminin üzerinde yatay olarak depolayın. (Şek. 48)

Ürünü zeminin üzerinde dikey olarak depolama

1. Ürünü depolama konumuna getirin. Doğru bıçak tipi için *Ürünü depolama konumuna getirme sayfada: 576.*
2. Tutma yerinin üzerindeki kaldırma noktalarından ürünü kaldırın ve ürünü dikey olarak düz bir yüzeye koyun. (Şek. 49)



UYARI: Ürünü, kesme kapağında tutarak kaldırmayın. Bıçak çok keskindir ve kolaylıkla kesiklere yol açabilir.

3. Çim toplama sepetini takın. Doğru bıçak tipi için *Çim toplama sepetini takma sayfada: 576.*
4. Ürünün sabit olduğundan ve 2 destek ayağının zemine değdiğinden emin olun.
5. Ürünü zeminin üzerinde dikey olarak depolayın. (Şek. 50)

Ürünü verilen kanca üzerinde dikey olarak depolama



UYARI: Ürünü yalnızca verilen kancayla duvara asın.

1. Verilen kancayı takın. Bkz. *Kancayı duvara monte etme sayfada: 569.*
2. Ürünü depolama konumuna getirin. Bkz. *Ürünü depolama konumuna getirme sayfada: 576.*
3. Ürünü tutma yerinin üzerindeki kaldırma noktalarından tutarak kaldırın. (Şek. 49)



UYARI: Ürünü, kesme kapağında tutarak kaldırmayın. Bıçak çok keskindir ve kolaylıkla kesiklere yol açabilir.

4. Ürünü verilen kanca üzerinde dikey olarak asın. Bkz. *Kancayı duvara monte etme sayfada: 569.* (Şek. 51)
5. Ürünün kancanın 2 çubuğu üzerinde doğru şekilde asılı ve sabit olduğundan emin olun.
6. Çim toplama sepetini takın. Bkz. *Çim toplama sepetini takma sayfada: 576.*

Çim toplama sepetini takma

1. Çim toplama sepetini ürünün önündeki oluğa takın. (Şek. 52)
2. Çim toplama sepetinin alt kısmını bir tık sesi duyana kadar kaldırma noktasına doğru itin. (Şek. 53)

Bertaraf

Ürün veya ürün ambalajı üzerinde bulunan semboller, bu ürünün evsel atık olarak değerlendirilemeyeceğini belirtir. Ürün, elektrikli ve elektronik ekipmanların geri

dönüşümü için uygun bir geri dönüşüm istasyonuna gönderilmelidir.

Bu ürünü doğru şekilde işlemiden geçirerek çevre ve insanlar üzerinde olabilecek potansiyel olumsuz etkisini önleyebilirsiniz. Aksi takdirde bu ürünün hatalı şekilde bertaraf edilmesi olumsuz etkilere neden olabilir. Bu ürünün geri dönüşümü hakkında daha ayrıntılı bilgi için belediyeinize, mahallenizdeki atık hizmetine veya ürünü satın aldığınız mağazaya danışın.

(Şek. 54)

Yalnızca AB ülkeleri için: 2006/66/AT sayılı Direktife göre, kusurlu veya kullanılmış akü grupları/aküler ayrı olarak toplanmalı ve çevreye zarar vermeyecek şekilde bertaraf edilmelidir.

Yalnızca Birleşik Krallık için: Atık Pili ve Akümülatörler Yönetmeliği 2009'a (SI 2009/890) (düzenlenmiş şekliyle) göre, artık kullanılmayan akü grupları/aküler ayrı olarak toplanmalı ve çevreye zarar vermeyecek şekilde bertaraf edilmelidir.

Teknik veriler

Teknik veriler

| | Aspire LC34-P4A |
|---|----------------------|
| Kesim motoru | |
| Motor tipi | BLDC (fırçasız) 18 V |
| Motor devri – Nominal, dev/dak | 3000 |
| Motor devri – Yüksek yük, dev/dak | 3500 |
| Motor çıkışı – maks. kW | 0,7 |
| Motor çıkışı – Nominal, kW | 0,5 |
| Tahrik motoru | |
| Motor çıkışı – Nominal, kW | Geçerli değil |
| Kendi kendine yürüme hızı, km/sa | Geçerli değil |
| Devir ayar seviyeleri | Geçerli değil |
| Ağırlık | |
| Torbasız ağırlık (akü hariç), kg | 11,5 |
| Torbayla birlikte ağırlık (1 adet P4A 18-B72 dahil), kg | 13,5 |
| Akü | |
| Akü tipi | Lityum iyon |
| Akü çalışma süresi | |
| Akü çalışma süresi, dak. ¹⁰¹ | 60 |
| Gürültü emisyonu ¹⁰² | |
| Ses gücü düzeyi, ölçülmüş dB (A) | 86 |
| Ses gücü düzeyi, garantili L _{WA} dB (A) | 87 |
| Ses düzeyleri ¹⁰³ | |
| Operatörün kulağındaki ses basıncı düzeyi, dB (A) | 74 |

¹⁰¹ (serbest çalışma) standart mod etkinken, bir Husqvarna 4,0 Ah aküyle (P4A 18-B72).

¹⁰² 2000/14/AT sayılı AT direktifi uyarınca ses gücü (L_{WA}) olarak çevrede ölçülen gürültü emisyonu düzeyi.

¹⁰³ Ses basıncı düzeyi için bildirilen verilerde 1,5 dB (A) değerinde belirsizlik faktörü (K) mevcuttur.

| | |
|--|------------------------|
| | Aspire LC34-P4A |
| Titreşim düzeyleri ¹⁰⁴ | |
| Tutma yeri, m/sn ² | 0,5 |
| Kesme ekipmanı | |
| Kesim yüksekliği, mm | 30-65 |
| Kesim genişliği, cm | 34 |
| Bıçak Standardı | Combi 5375561-10 |
| Bıçak aksesuarı | Geçerli değil |
| Çim toplama sepeti kapasitesi, l | 30 |

Onaylı aküler

Bu ürün tüm **POWER FOR ALL** akülerle kullanılabilir. En iyi performans için en az 4,0 Ah'lik akülerin kullanılması önerilir.

| Akü | P4A 18-B45 | P4A 18-B72 |
|----------------------------|-------------------|-------------------|
| Tip | Lityum iyon | Lityum iyon |
| Akü kapasitesi, Ah | 2,5 | 4,0 |
| Nominal voltaj, V | 18 | 18 |
| Ağırlık, kg | 0,35 | 0,65 |
| Hücre sayısı (Lityum-iyon) | 5 | 10 |

Onaylı akü şarj cihazları

| Akü şarj cihazı | P4A 18-C70 |
|------------------------|-------------------|
| Giriş voltajı, V | 220-240 |
| Frekans, Hz | 50-60 |
| Güç, W | 70 |

¹⁰⁴ Titreşim düzeyleri için bildirilen verilerde 1,5 m/sn² değerinde belirsizlik faktörü (K) mevcuttur. Beyan edilen toplam titreşim değeri EN 62841-4-3 standardı, Ek l'e göre hesaplanmıştır ve bir makineyi bir diğeriyle karşılaştırmak ve maruz kalma ön değerlendirmesi yapmak için kullanılabilir.

Uyumluluk Bildirimi

AB Uyumluluk Bildirimi

Biz, **Husqvarna AB**, SE-561 82 Huskvarna, İsveç, tel: +46-36-146500 olarak tek sorumlu vasfıyla ürüne ilişkin aşağıdaki beyanlarda bulunmaktayız:

| | |
|------------------|---|
| Açıklama | Çim Bıçme Makinesi |
| Marka | Husqvarna |
| Tıp/Model | Aspire LC34-P4A |
| Kimlik | 2022 ve sonrası tarihli seri numaraları |

aşağıdaki AB direktifleri ve yönetmelikleriyle tamamen uyumludur:

| Düzenleme | Açıklama |
|------------|--|
| 2006/42/AT | "makinelere ilgili" |
| 2014/30/AB | "elektromanyetik uyumlulukla ilgili" |
| 2000/14/AT | "çevredeki gürültü emisyonlarıyla ilgili" |
| 2011/65/AB | "elektrikli ve elektronik ekipmanlarda belirli tehlikeli maddelerin kullanımının kısıtlanmasıyla ilgili" |

ve aşağıdaki standartlar ve/veya teknik özellikler uygulanmıştır: EN 62841-1:2015/AC:2015, EN IEC 62841-4-3:2021/A11:2021, EN ISO 12100:2010, EN 55014-1:2021, EN 55014-2:2021, EN IEC 61000-6-2:2019, EN IEC 61000-6-3:2021, EN IEC 63000:2018

Onaylanmış Kuruluş: 0404, RISE SMP Svensk Maskinprovning AB, Box 4053, SE-904 03 Umeå, Sweden 2000/14/AT konsey direktifi, uyumluluk değerlendirme prosedürü: Ek VI ile uyumluluğu belgelemiştir.

Gürültü emisyonları ile ilgili bilgi için bkz. *Teknik veriler sayfada: 577.*

Huskvarna, 2022-10-24



Claes Losdal, Geliştirme Müdürü/Bahçe Ürünleri
Husqvarna AB

Teknik dokümantasyon sorumlusu

Türk ithalat şirketi daha fazla bilgi için temas edilecek:
Çullas Orman Bahçe ve Tarım Mak. San. Tic. A.Ş.
Suadiye Mh. Bağdat Cd. No:455/4
Kadıköy – 34740 İstanbul / Türkiye
Telefon: +90 216 519 88 82
Faks: +90 216 519 88 78
info@cullas.com.tr



Telif Hakkı © 2012–2020 STMicroelectronics

Garanti, normal aşınma ve yıpranma, ihmal, hatalı kullanım, yetkisiz onarım veya emme cihazının yanlış voltaja bağlanması sonucunda oluşan arızaları kapsamaz.

Tüm hakları saklıdır.

Kaynak ve ikili biçimlerde, değişiklik yapıp yapılmaması fark etmeksizin yeniden dağıtımına ve kullanımına, aşağıdaki koşulların karşılanması koşuluyla izin verilir:

- Kaynak kodu yeniden dağıtımı, yukarıdaki telif hakkı bildirimini, bu koşullar listesini ve aşağıdaki sorumluluk reddini içermelidir.
- İkili biçimdeki yeniden dağıtımlar, yukarıdaki telif hakkı bildirimini, bu koşullar listesini ve aşağıdaki sorumluluk reddini, dağıtımla birlikte sağlanan belgelerde ve/veya diğer malzemelerde yeniden oluşturulmalıdır.
- STMicroelectronics'in adı veya katkıda bulunanların adları, önceden özel yazılı izin olmadan bu yazılımdan türetilen ürünleri desteklemek veya tanıtmak için kullanılamaz.

BU YAZILIM TELİF HAKKI SAHİPLERİ VE KATKIDA BULUNANLAR TARAFINDAN "OLDUĞU GIBI" SAĞLANIR VE TİCARİ ELVERİŞLİLİK VE BELİRLİ BİR AMAÇA UYGUNLUK ZİMNİ GARANTİLERİ DAHİL ANCAK BUNLARLA SINIRLI OLMAMAK KAYDIYLA AÇIK VEYA ZİMNİ TÜM GARANTİLER REDDEDİLİR. TELİF HAKKI SAHİBİ VEYA KATKIDA BULUNANLAR, HİÇBİR DURUMDA; NEDEN OLSUN VE HERHANGİ BİR SORUMLULUK TEORİSİNE GÖRE İSTER SÖZLEŞMEDE, KUSURSUZ SORUMLULUK VEYA HAKSIZ FİİL (İHMAL VEYA BAŞKA BİR ŞEKİLDE) DURUMUNDA, BU TÜR BİR HASAR OLASILIĞI KONUSUNDA BİLDİRİLMİŞ OLSA BİLE BU YAZILIMIN KULLANIMINDAN HERHANGİ BİR ŞEKİLDE KAYNAKLANAN HİÇBİR DOĞRUDAN, DOLAYLI, ARIZİ, ÖZEL VEYA CEZAI HASARDAN (YEDEK ÜRÜN VEYA HİZMETLERİN TEDARİKİ; KULLANIM KAYBI, VERİ VEYA KÂR KAYBI; VEYA İŞİN KESİNTİSİ DAHİL ANCAK BUNLARLA SINIRLI OLMAMAK ÜZERE) SORUMLU TUTULAMAZ.

Apache 2.0 Lisansı

Telif Hakkı © 2009-2019 Arm Limited. Tüm hakları saklıdır.

Sürüm 2.0, Ocak 2004 <http://www.apache.org/licenses/>

KULLANIM, ÇOĞALTMA VE DAĞITIM İÇİN HÜKÜM VE KOŞULLAR

1. Tanımlar.

"**Lisans**", bu belgenin 1. ve 9. Bölümlerinde tanımlandığı şekilde kullanım, çoğaltma ve dağıtım için hüküm ve koşullar anlamına gelir. "**Lisans veren**", lisansı veren telif hakkı sahibi veya telif hakkı sahibi tarafından

yetkilendirilmiş kuruluş anlamına gelir. "**Tüzel Kişilik**", hareket eden tüzel kişinin ve bu tüzel kişiyi kontrol eden, bu tüzel kişi tarafından kontrol edilen veya bu tüzel kişilikle ortak kontrol altında olan diğer tüm tüzel kişilerin birliği anlamına gelir. Bu tanımın amaçları doğrultusunda, "**kontrol**" (i) sözleşmeyle veya başka bir şekilde, doğrudan veya dolaylı olarak bu tür bir kuruluşun yönlendirilmesi veya yönetilmesi gücü ya da (ii) tedavüldeki hisselerin yüzde elli (%50) veya daha fazlasına sahip olması ya da (iii) bu tür bir işletmenin intifa hakkı anlamına gelir. "**Siz**" (veya "**Sizin**"), bu Lisans tarafından verilen izinleri uygulayan bir birey veya Tüzel Kişilik anlamına gelir. "**Kaynak**" biçimi, yazılım kaynak kodu, belge kaynağı ve yapılandırma dosyaları dahil ancak bunlarla sınırlı olmamak üzere değişiklik yapmak için tercih edilen biçim anlamına gelir. "**Nesne**" biçimi, derlenen nesne kodu, oluşturulan belge ve diğer medya türlerine dönüştürme dahil ancak bunlarla sınırlı olmamak üzere, bir Kaynak biçimin mekanik dönüşümü veya çevrilmesinden kaynaklanan her türlü biçim anlamına gelir. "**Çalışma**", Kaynak ya da Nesne biçiminde, çalışmaya dahil edilen ya da çalışmaya eklenen bir telif hakkı bildiriyle belirtildiği gibi (aşağıdaki Ekte bir örnek verilmiştir) Lisans kapsamına sunulan yazarlık çalışması anlamına gelir. "**Türev Çalışmalar**", Kaynak ya da Nesne biçiminde, çalışmaya dayanan (ya da çalışmadan türetilen) ve editöryal revizyonların, açıklamaların, ayrıntıların ya da diğer değişikliklerin bir bütün olarak orijinal bir yazarlık çalışmasını temsil ettiği herhangi bir çalışma anlamına gelir. Bu Lisansın amaçları doğrultusunda, Türev Çalışmalar, Çalışmanın ve Türev Çalışmalarının arayüzlerinden ayrılabilen veya yalnızca bu arayüzlere bağlanabilen (veya adla bağlanan) çalışmaları içermeyecektir. "**Katkı**", Çalışmanın orijinal sürümü ve bu çalışmaya ya da Türev Çalışmalara yapılan herhangi bir değişiklik ya da ekleme de dahil olmak üzere, herhangi bir yazarlık çalışması anlamına gelecektir. Bu, telif hakkı sahibi tarafından veya telif hakkı sahibi adına gönderme yetkisine sahip bir kişi veya Tüzel Kişilik tarafından çalışmaya dahil edilmek üzere Lisans Verene kasıtlı olarak gönderilir. Bu tanımın amaçları doğrultusunda "**gönderilen**"; Lisans Veren tarafından veya onun adına çalışmayı tartışmak ve geliştirmek amacıyla yönetilen elektronik posta listeleri, kaynak kodu kontrol sistemleri ve sorun izleme sistemleri dahil ancak bunlarla sınırlı olmamak üzere Lisans Verene veya temsilcilerine gönderilen her türlü elektronik, sözlü veya yazılı iletişim anlamına gelir. Ancak telif hakkı sahibi tarafından "**Katkı Değildir**" olarak açıkça işaretlenen veya başka şekilde yazılı olarak belirtilen iletişim harihtir. "**Katkıda Bulunan**", Lisans Veren ve Lisans Veren tarafından adına bir Katkı alınan ve ardından çalışmaya dahil edilen herhangi bir birey veya Tüzel Kişilik anlamına gelir.

2. Telif Hakkı Lisansının Verilmesi.

Bu Lisansın hüküm ve koşullarına tabi olarak, her bir Katkıda Bulunan, Size; kalıcı, dünya çapında, münhasır olmayan, ücretsiz, telifsiz, Çalışmanın ve bu tür Türev Çalışmaların Kaynak veya Nesne biçiminde çoğaltılması, hazırlanması, halka açık olarak gösterilmesi, halka açık olarak icra edilmesi, alt lisansının verilmesine ve dağıtılmasına yönelik geri alınamaz telif hakkı lisansı vermektedir.

3. Patent Lisansının Verilmesi.

Bu Lisansın hüküm ve koşullarına tabi olarak, her bir Katkıda Bulunan, Size; satmayı teklif etmek, satmak, ithal etmek ve aksi halde Çalışmayı söz konusu lisansın yalnızca Katkılar tarafından tek başına veya Katkıları ile birlikte bu Katkıların gönderildiği Çalışmalarla birlikte zorunlu olarak ihlal edilen bu Katkıda Bulunan tarafından lisanslanabilir patent hak taleplerinin geçerli olduğu bir yere taşınması için kalıcı, dünya çapında, münhasır olmayan, ücretsiz, telifsiz, geri alınamaz (bu bölümde belirtilenler hariç) bir patent lisansı vermektedir. Çalışmanın veya Çalışmaya dahil edilmiş bir Katkının doğrudan veya katkıda bulunan patent ihlali teşkil ettiğini iddia eden herhangi bir kuruluşa karşı patent davası başlatırsanız (bir davada çapraz talep veya karşı iddia dahil), bu Çalışma için bu Lisans kapsamında Size verilen tüm patent lisansları, söz konusu dava açıldığı tarih itibarıyla feshedilecektir.

4. Yeniden dağıtım.

Aşağıdaki koşulları yerine getirmeniz kaydıyla, Çalışmanın veya Türev Çalışmaların kopyalarını herhangi bir ortamda, değişiklik yapılarak veya yapılmayarak ve Kaynak ya da Nesne biçiminde çoğaltabilir ve dağıtabilirsiniz:

- Çalışma veya Türev Çalışmalarının diğer alıcılarına bu Lisansın bir kopyasını vermelisiniz ve
- Değiştirilen dosyaların, dosyaları değiştirdiğinizi belirten belirgin bildirimler taşımasını sağlamalısınız; ve – Dağıttığınız herhangi bir Türev Çalışmanın Kaynak biçiminde, Çalışmanın Kaynak biçiminden tüm telif hakkı, patent, ticari marka ve atıf bildirimlerini, Türev Çalışmalarının herhangi bir bölümüyle ilgili olmayan bildirimler hariç tutmanız ve
- Çalışma, dağıtımının bir parçası olarak "**BİLDİRİM**" metin dosyası içeriyorsa daha sonra dağıttığınız herhangi bir Türev Çalışma, aşağıdaki yerlerden en az birinde, Türev Çalışmalarının herhangi bir bölümüyle ilgili olmayan bildirimler hariç olmak üzere, bu BİLDİRİM dosyasında yer alan atıf bildirimlerinin okunabilir bir kopyasını içermelidir: Türev Çalışmaların bir parçası olarak dağıtılan bir BİLDİRİM metin dosyası içinde; Türev Çalışmalar ile birlikte sağlanmış Kaynak biçiminde veya belgeler içinde veya Türev Çalışmalar tarafından oluşturulan bir ekran içinde, bu tür üçüncü taraf bildirimlerinin normal olarak ortaya çıkması durumunda ve nerede olursa olsun. BİLDİRİM dosyasının içeriği yalnızca bilgi amaçlıdır ve Lisansı değiştirmez. Bu tür ek atıf bildirimlerinin Lisansın değiştirilmesi olarak yorumlanamayacağı koşuluyla, Çalışmadan gelen BİLDİRİM metninin yanına veya

bir eki olarak, dağıttığınız Türev Çalışmalara kendi atıf bildirimlerinizi ekleyebilirsiniz. Değişiklikleriniz kendi telif hakkı beyanınızı ekleyebilir ve Çalışmayı kullanmanız, çoğaltmanız ve dağıtımınız bu Lisansın koşulları ile uyumlu olması durumunda Değişiklikleriniz veya Türev Çalışmalarının tamamı için kullanım, çoğaltma veya dağıtım için ek veya farklı lisans hükümler ve koşulları sağlayabilirsiniz.

5. Katkıların sunulması.

Aksini açık bir şekilde belirtmediğiniz sürece, Lisans Vereneye Çalışmaya dahil edilmek üzere kasıtlı olarak gönderilen herhangi bir Katkı, ek hüküm veya koşullar olmadan bu Lisansın hüküm ve koşulları kapsamında olacaktır. Yukarıdakilerle bakılmaksızın, bu belgede yer alan hiçbir hüküm, Lisans Veren ile bu tür Katkılarla ilgili olarak yapmış olabileceğiniz ayrı bir lisans sözleşmesinin hükümlerinin yerine geçemez veya bu hükümlerde değişiklik yapamaz.

6. Ticari markalar.

Bu Lisans, Çalışmanın kökeninin çoğaltılması ve BİLDİRİM dosyasının içeriğinin çoğaltılmasında makul ve alışılmış kullanım için gerekli olanlar dışında, Lisans Veren'in ticari adlarının, ticari markalarının, hizmet markalarının veya ürün adlarının kullanılmasına izin vermez.

7. Garanti Reddi.

Yürürlükteki kanunlar gerektirmediği veya yazılı olarak kabul edilmediği sürece Lisans Veren Çalışmayı (ve her Katkıda Bulunan Katkılarını sağlar) "OLDUĞU GİBİ" temelinde, açık veya zımnı olarak; UNVAN, İHLAL ETMEME, TİCARETE ELVERİŞLİLİK veya BELİRLİ BİR AMACA UYGUNLUK ögelerinin sınırlama olmadan tüm garantileri ve koşullarını da dahil olacak şekilde HERHANGİ BİR GARANTİ VEYA KOŞUL OLMADAN sağlar. Çalışmayı kullanmanın veya yeniden dağıtımın uygunluğunu belirlemek ve bu Lisans kapsamındaki izinleri uygulamanızla ilgili riskleri üstlenmek tamamen sizin sorumluluğunuzdadır. 8. Sorumluluğun Sınırlandırılması. Yürürlükteki kanunlar gerektirmedikçe (kasıtlı ve büyük ölçüde ihmalkarlık içeren eylemler gibi) veya yazılı olarak kabul edilmedikçe haksız fiil (ihmal dahil), sözleşme veya başka bir şekilde, hiçbir koşulda ve hiçbir yasal teori uyarınca, herhangi bir Katkıda Bulunan; doğrudan, dolaylı, özel, arzı ya da bu Lisansın sonucu olarak ya da kullanımdan veya Çalışmanın kullanılmasından veya kullanılmamasından kaynaklanan (iyi niyet kaybı, çalışmanın durması, bilgisayar arızası ya da arızadan kaynaklanan zararlar dahil ancak bunlarla sınırlı olmamak üzere veya diğer tüm ticari hasar veya kayıplar) zararlarından, Katkıda bulunana bu tür zararların olasılığı hakkında bilgi verilmiş olsa bile Size karşı sorumlu tutulamaz.

9. Garanti veya Ek Sorumluluğun Kabul Edilmesi.

Bu Çalışmanın veya Türev Çalışmaların yeniden dağıtımını yaparken, bu Lisans ile tutarlı destek, garanti,

tazminat veya diđer ykmllkler ve/veya haklar iin cret teklif etmeyi ve talep etmeyi tercih edebilirsiniz. Ancak, bu tr ykmllkleri kabul ederken, diđer herhangi bir katkıda bulunan adına deęil, yalnızca Sizin adınıza ve Sizin sorumluluęunuzda hareket edebilirsiniz ve her bir katkıda Bulunanı, herhangi bir sorumluluk

nedeniyle veya bu tr bir garantiyi veya ek ykmllę kabul etmeniz nedeniyle bu katkıda bulunana karşı ileri srlen iddialar karřısında tazmin etmeyi, savunmayı ve zarardan muaf tutmayı kabul etmiř sayılırsınız. HKM VE KOřULLARIN SONU

Tescilli ticari markalar

QR Kodu DENSO WAVE INCORPORATED'ın Japonya'da tescilli ticari markasıdır.

Зміст

| | | | |
|------------------------------|-----|---|-----|
| Вступ..... | 583 | Транспортування, зберігання й утилізація..... | 598 |
| Безпека..... | 584 | Технічні характеристики..... | 600 |
| Збирання..... | 591 | Декларація відповідності..... | 603 |
| Експлуатація..... | 592 | Ліцензії..... | 604 |
| ТЕХНІЧНЕ ОБСЛУГОВУВАННЯ..... | 594 | Зареєстровані товарні знаки..... | 606 |
| Усунення несправностей..... | 596 | | |

Вступ

Опис виробу

Цей виріб – обертальна газонокосарка, керована пішим оператором. Трава збирається в травозбірник. Щоб трава викидалася ззаду, приберіть травозбірник. Щоб перетворити траву на добриво, установіть заглушку для мульчування.

Призначення

Користуйтеся виробом для зрізання трави. Забороняється використовувати виріб для інших завдань.

Огляд виробу

(Мал. 1)

1. Ручка зупинення двигуна
2. Обмежувач запуску
3. Ручка/рукоятка
4. Затискна головка рукоятки
5. Фіксувальні головки рукоятки
6. Травозбірник
7. Заглушка для мульчування
8. Задній кожух
9. Світлодіодний індикатор на виробі
10. Індикатор попередження (світлодіод помилки)
11. Ключ безпеки
12. Відсік акумулятора
13. Кришка акумулятора
14. Позначення
15. Важіль регулювання висоти різання
16. Акумулятор (додаткове приладдя)
17. Заряджальний пристрій (додаткове приладдя)
18. Червоний світлодіод
19. Зелений світлодіод
20. Точки підймання
21. Кронштейн
22. Посібник користувача

Короткий посібник користувача

Відскануйте QR-код, щоб ознайомитися з порадами щодо використання виробу.



Символи на виробі

- (Мал. 2) ПОПЕРЕДЖЕННЯ
- (Мал. 3) Прочитайте інструкцію.
- (Мал. 4) ПОПЕРЕДЖЕННЯ. Остерігайтеся об'єктів, що можуть відлетіти.
- (Мал. 5) Не підпускайте сторонніх осіб.
- (Мал. 6) ПОПЕРЕДЖЕННЯ. Тримайте руки й ноги на безпечній відстані від лез, що обертаються.
- (Мал. 7) ПОПЕРЕДЖЕННЯ. Перш ніж виконувати технічне обслуговування, від'єднайте акумулятор.
- (Мал. 8) Цей виріб і його пакування не можна утилізувати разом із побутовими відходами. Утилізацію необхідно проводити на підприємстві з переробки відходів електричного й електронного обладнання.
- (Мал. 9) Етикетка з інформацією щодо шумових викидів у навколишнє середовище

відповідно до вимог директив і нормативних актів ЄС і Сполученого Королівства та Закону про збереження навколишнього середовища (контроль шуму) 2017 р. Нового Південного Уельсу. Гарантований рівень звукової потужності виробу вказано в розділі *Технічні характеристики на сторінці 600* і на етикетці.

(Мал. 20)

Використовуйте цей акумулятор лише у виробач партнерів Системи POWER FOR ALL.

(Мал. 21)

Захищайте акумулятор від нагрівання, наприклад безперервним інтенсивним сонячним світлом чи вогнем, а також від бруду, води й вологи. Існує ризик вибуху й короткого замикання.

(Мал. 22)

(Мал. 16)

Заряджальний пристрій треба використовувати та зберігати лише в приміщенні.

(Мал. 17)

Подвійна ізоляція.

Маркування на виробі

(Мал. 23)

НЕБЕЗПЕКА. Тримайте руки й ноги на безпечній відстані.

Відповідальність за якість продукції

Згідно із законом про відповідальність за якість продукції ми не несемо відповідальності за будь-які пошкодження, спричинені роботою наших виробів, якщо:

- виріб було неправильно відремонтовано;
- виріб було відремонтовано із використанням деталей, виготовлених не виробником або не затверджених ним;
- виріб обладнано аксесуаром, виготовленим не виробником або не затвердженим ним;
- виріб було відремонтовано в неавторизованому сервісному центрі або неавторизованою компанією;

(Мал. 10)

Це приладдя відповідає вимогам застосованих директив ЄС.

(Мал. 11)

Цей виріб відповідає вимогам застосованих норм Сполученого Королівства.

(Мал. 12)

Виріб має захист від потрапляння крапель.

(Мал. 13)

Щоб зупинити двигун, відпустіть ручку зупинення двигуна.

(Мал. 14)

Натисніть ручку зупинення двигуна, щоб запустити привод лез.

(Мал. 15)

Сканований код.

(Мал. 18)

Поверніть, щоб заблокувати або розблокувати.

Зверніть увагу: Інші позначення на виробі відповідають вимогам сертифікації для певних ринків.

Позначення на акумуляторі та/або на заряджальному пристрої

(Мал. 19)

Утилізувати виріб треба на підприємстві з перероблення відходів електричного й електронного обладнання. (Лише для країн Європи.)

Безпека

Визначення щодо безпеки

Попередження, застереження й примітки служать для наголосення на особливо важливих положеннях посібника.



ПОПЕРЕДЖЕННЯ:

Вказує на те, що в разі порушення інструкцій, наведених у цьому посібнику, існує небезпека поранення або смерті оператора чи інших осіб, що знаходяться поруч.



УВАГА: Вказує на те, що в разі порушення інструкцій, наведених у цьому посібнику, існує небезпека пошкодження виробу, інших матеріалів або навколишніх об'єктів.

Зверніть увагу: Використовується для надання додаткової інформації щодо певної ситуації.

Загальні правила техніки безпеки для виробу



ПОПЕРЕДЖЕННЯ: Ознайомтеся з усіма попередженнями, правилами техніки безпеки, інструкціями, рисунками й технічними характеристиками до цього виробу. Недотримання наведених далі інструкцій може призвести до враження електричним струмом, пожежі та / або серйозних травм.

Збережіть усі попереджувальні знаки й інструкції для їх використання в майбутньому. Терміном «виріб» у попередженнях позначається ваш виріб, що працює від електромережі (з кабелем), або акумуляторний (безпроводний) виріб.

Безпека в робочій зоні

- **Забезпечуйте порядок та добре освітлення в робочій зоні.** Безлад і погане освітлення сприяють нещасним випадкам.
- **Не використовуйте інструмент у вибухонебезпечному середовищі, наприклад поблизу легкозаймистих рідин, газів або пилу.** Виріб утворює іскри, від яких можуть зайнятися пил чи випари.
- **Не підпускайте до себе дітей і сторонніх осіб, коли працюєте з виробом.** Ви можете відволіктися та втратити контроль.

Електробезпека

- **Вилки виробу мають підходити до розетки.** У жодному разі не змінюйте вилку будь-яким чином. Під час роботи із заземленими виробами не використовуйте жодних перехідників. Вилки оригінальної конструкції та відповідні за типом розетки зменшують ризик ураження електричним струмом.
- **Уникайте тілесного контакту із заземленими поверхнями, такими як труби, радіатори, кухонні плити й холодильники.** Існує підвищений ризик ураження електричним струмом, якщо ваше тіло заземлене.
- **Не тримайте виріб під дощем або у вологих умовах.** Потрапання води у виріб підвищує ризик ураження електричним струмом.

- **Використовуйте кабель лише за призначенням.** За жодних умов не використовуйте кабель для перенесення чи перетягування виробу й не тягніть за нього, щоб вийняти вилку з розетки. Тримайте кабель подалі від джерела тепла, мастила, гострих країв або рухомих деталей. Пошкоджені чи залпунані кабелі збільшують ризик ураження електричним струмом.
- **Під час експлуатації виробу надворі використовуйте подовжувальний кабель, що підходить для застосування надворі.** Використання кабелю, який підходить для застосування надворі, знижує ризик ураження електричним струмом.
- **Якщо застосування виробу у вологому середовищі неможливо уникнути, використовуйте джерело живлення, обладнане пристроєм захисного відключення (ПЗВ).** Використання ПЗВ знижує ризик ураження електричним струмом.

Особиста безпека

- **Будьте пильними, слідкуйте за тим, що робите, і дотримуйтеся здорового глузду під час експлуатації виробу.** Не використовуйте виріб, коли ви втомлені або перебуваєте під впливом наркотиків, алкоголю чи лікарських засобів. Утрата уваги на мить під час експлуатації виробу може призвести до серйозної травми.
- **Використовуйте засоби індивідуального захисту.** Обов'язково необхідно користуватися засобами захисту для очей. Захисне спорядження, наприклад респіратор, черевки з нековзною підшвою, каска або захисні навушники за використання у відповідних умовах зменшують ризик травмування.
- **Запобігайте випадковому запуску.** Переконайтеся, що вимикач перебуває у вимкненому положенні, перш ніж підключати виріб до джерела живлення чи акумуляторної батареї, підняти або переносити його. Небезпечно переносити виріб, тримаючи палець на перемикачі, або заряджати його, коли перемикач установлено в положення ввімкнення, оскільки це може призвести до нещасних випадків.
- **Перед увімкненням виробу приборіть будь-які регульовальні або гайкові ключі.** Якщо залишити на деталі виробу, яка обертається, регульовальний або гайковий ключ, це може призвести до травмування.
- **Не тягніться.** Завжди дотримуйтесь правильною дистанції і балансування. Це дасть змогу краще контролювати виріб у несподіваних ситуаціях.
- **Одягайтеся правильно.** Не вдягайте просторий широкий одяг, не надягайте на себе ювелірні вироби. Тримайте волосся й одяг подалі від рухомих частин. Просторий широкий одяг, ювелірні вироби або довге волосся можуть потрапити в рухомі деталі.

- У разі наявності обладнання з видалення й збору пилу переконайтеся в тому, що воно під'єднано та використовується правильно. Використання обладнання для збору пилу зменшує ризики, пов'язані з пилом.
- Досвід роботи, набутий упродовж регулярного використання цього виробу, не є підставою для небальної експлуатації виробу й нехтування технікою безпеки. Необережні дії можуть миттєво призвести до тяжких травм.

Експлуатація виробу та догляд за ним

- **Не докладайте силу до виробу. Використовуйте виріб, що підходить для ваших потреб.** Виріб краще, безпечніше й швидше виконає ту роботу, для якої він призначений.
- **Не використовуйте виріб, якщо вимикач не працює.** Будь-який виріб, яким неможливо керувати за допомогою вимикача, є небезпечним і підлягає ремонту.
- **Коли ви збираєтеся виконувати будь-які налаштування, замінювати приладдя або залишати виріб на зберігання, спочатку витягніть штекер із розетки живлення чи змінний акумуляторний блок із виробу.** Такі запобіжні заходи зменшують ризик ненавмисного запуску виробу.
- **Вимкнені вироби зберігайте в недоступному для дітей місці й не дозволяйте користуватися ними особам, які не ознайомилися з порядком використання виробу або цієї інструкцією.** Вироби становлять небезпеку в руках непередбачених користувачів.
- **Виконуйте технічне обслуговування виробів і приладдя. Перевіряйте виріб на предмет зміщення чи вигину рухомих деталей, поломок деталей і будь-якого іншого стану, що може негативно позначитися на роботі виробу.** У разі пошкодження відремонтуйте виріб, перш ніж користуватися ним. Багато нещасних випадків виникають унаслідок недостатнього технічного обслуговування виробів.
- **Підтримуйте різальні елементи в нагостреному та чистому стані.** Різальні елементи, що добре обслуговуються та мають гострі різальні кромки, будуть легше керуватися та з меншою імовірністю будуть заклинані.
- **Використовуйте виріб, приладдя й біти відповідно до цієї інструкції, урахувавши умови та характер роботи, яку потрібно виконати.** Використання виробу для виконання непередбачених операцій може призвести до небезпечної ситуації.
- **Рукоятки та поверхні для тримання мають бути сухими, чистими й знежиреними.** Утримування виробу за слизькі рукоятки чи інші поверхні для тримання є порушенням правил техніки безпеки й заважає керувати виробом у непередбачених ситуаціях.

Використання інструментів з акумуляторною батареєю та догляд за ними

- **Зарядку батареї слід здійснювати виключно за допомогою зарядного пристрою, зазначеного виробником.** Використання зарядного пристрою, призначеного для роботи з батареями одного типу, з батареями іншого типу може спричинити пожежу.
- **Використовуйте пристрої лише із сумісними акумуляторними блоками.** Використання акумуляторних батарей інших типів може призвести до травмування чи пожежі.
- **Якщо акумуляторний блок не використовується, слід тримати його подалі від металевих предметів, таких як скріпки, монети, ключі, цвяхи, гвинти й інші дрібні металеві предмети, які можуть з'єднати один контакт батареї з іншим.** Замикання контактів акумулятора може призвести до опіків або пожежі.
- **У разі неправильного застосування з акумулятора може випліскуватися рідина; уникайте контакту з нею.** При випадковому контакті промийте місце контакту водою. В разі потраплення рідини в очі на додаток до їхнього інтенсивного промивання зверніться по медичну допомогу. Рідина з акумуляторної батареї може викликати подразнення та опіки.
- **Не використовуйте пошкоджений чи змінений акумуляторний блок або інструмент.** Із пошкодженими чи вивізненими батареями може статися непередбачуване: вони можуть зайнятися, вибухнути або створити інший ризик травмування оператора.
- **Захищайте акумуляторний блок та інструмент від вогню й надмірних температур.** Під впливом вогню або температури понад 130 °C (265°F) може статися вибух.
- **Дотримуйтеся всіх інструкцій із заряджання й не заряджайте акумуляторний блок чи інструмент поза межами діапазону температур, зазначеного в інструкціях.** Неналежне заряджання за температурі поза межами зазначеного діапазону може пошкодити акумулятор і підвищує ризик займання.

Служба

- **Сервісне обслуговування виробу має виконувати кваліфікований майстер за використання лише ідентичних запасних частин.** Це гарантуватиме підтримання безпечної роботи виробу.
- **За жодних умов не виконуйте технічного обслуговування пошкоджених акумуляторних блоків.** Технічне обслуговування акумуляторних блоків має виконуватися лише виробником або повноваженим постачальником послуг.

Попередження щодо техніки безпеки під час роботи з газонокосаркою

- **Не використовуйте газонокосарку за несприятливих погодних умов, особливо якщо є ризик удару блискавки.** Недотримання цієї вимоги підвищує ризик ураження блискавкою.
- **Ретельно огляньте ділянку, де використовуватиметься газонокосарка, на наявність будь-якої живності.** Під час використання газонокосарки ви можете завдати шкоди тваринам.
- **Ретельно перевірте ділянку, де використовуватиметься газонокосарка, і приберіть каміння, палиці, проводи, кістки й інші сторонні предмети.** Предмети, що розлітаються, можуть спричинити тяжкі травми.
- **Перед використанням завжди здійснюйте огляд, перевіряючи лезо та його вузол для виявлення ознак зношування чи пошкодження.** Зношені й пошкоджені деталі підвищують ризик травмування.
- **Достатньо часто перевіряйте травозбірник на наявність ознак зношення чи псування.** Пошкоджений чи зношений травозбірник може спричинити травмування.
- **Захист має бути на своєму місці. Захист має бути справним і правильно встановленим.** Погано закріплений, пошкоджений або несправний захист може призвести до травмування.
- **Не допускайте засмічення вентиляційних отворів.** Зabloковані вентиляційні отвори та сміття можуть призвести до перегрівання або пожежі.
- **Під час роботи з газонокосаркою завжди використовуйте захисне взуття, яке не ковзає. Не використовуйте газонокосарку босоніж або у відкритому взутті.** Таким чином ви знизите ризик травмування ніг унаслідок контакту з рухомим лезом.
- **Під час використання газонокосарки завжди надягайте довгі штани.** Предмети, які відлітають, можуть пошкодити відкриті ділянки шкіри.
- **Не використовуйте газонокосарку на вологій траві. Пересувайтеся повільно, ніколи не біжіть.** Це зменшує ризик ковзання й падіння, які можуть призвести до травмування.
- **Не використовуйте газонокосарку на надмірно крутих схилах.** Це зменшує ризик втрати керування, ковзання й падіння, які можуть призвести до травмування.
- **Під час роботи на схилах завжди впевнено стійте на ногах, косіть поперек схилів і ніколи не косіть угору або вниз та будьте надзвичайно обережними під час зміни напрямку.** Це зменшує ризик втрати керування, ковзання й падіння, які можуть призвести до травмування.
- **Будьте вкрай обережними, коли розвертаєте або рухаєте газонокосарку в напрямку до себе. Завжди стежте за тим, що відбувається навколо.**

Це дасть змогу зменшити ризик спотикання під час роботи.

- **Не торкайтеся лез чи інших небезпечних деталей, поки вони рухаються.** Це дасть змогу зменшити ризик травмування рухомими деталями.
- **Під час видалення застряглих обрізків або чистення газонокосарки всі вимикачі електроживлення повинні перебувати у вимкненому положенні, а кабель живлення має бути від'єднаним.** Неочікуваний запуск газонокосарки може призвести до тяжкого травмування.

Пристрій захисного вимкнення

- Використовуйте пристрій захисного вимкнення із струмом вимкнення щонайбільше 30 мА.

Загальні правила техніки безпеки



ПОПЕРЕДЖЕННЯ: Перш ніж розпочати використання виробу, уважно прочитайте наведені нижче попередження.

- Цей виріб може бути небезпечним у разі неправильного або недбалоого використання. Порушення правил техніки безпеки може призвести до травм або смерті.
- Під час роботи цього виробу утворюється електромагнітне поле. Це поле може за деяких умов взаємодіяти з активними чи пасивними медичними імплантатами. Щоб зменшити ризик тяжких або смертельних травм, рекомендуємо особам із медичними імплантатами проконсультуватися зі своїм лікарем і виробником медичного імплантату перед початком експлуатації цього виробу.
- Завжди будьте обережні й керуйтеся здоровим глуздом. Якщо ви маєте сумніви щодо того, як користуватися виробом у конкретній ситуації, припиніть роботу та проконсультуйтеся з дилером Husqvarna.
- Пам'ятайте, що оператор несе відповідальність за нещасні випадки, в результаті яких постраждали інші особи або їхнє майно.
- Тримайте виріб у чистоті. Переконайтеся, що знаки та наклепки знаходяться в читабельному стані.
- У жодному разі не дозволяйте користуватися приладом дітям або людям, які не ознайомилися з цим посібником. Вік оператора може обмежуватися місцевими нормами.
- Завжди наглядайте за особами з обмеженими фізичними чи розумовими можливостями, що використовують виріб. Біля виробу, що працює, має завжди перебувати відповідальна доросла особа.
- Забороняється використовувати виріб, якщо ви втомлені, хворі, чи перебуваєте під впливом

наркотиків, алкоголю або медикаментів. Ці фактори мають негативний вплив на ваш зір, зосередженість, свідомість та координацію рухів.

- Забороняється використовувати виріб у разі його несправності.
- Забороняється зміни в конструкцію виробу чи використовувати виріб, якщо є підозра, що його було змінено сторонніми особами.

- Будьте обережні під час руху у зворотному напрямку.
- Забороняється піднімати виріб, коли двигун увімкнений. Якщо треба підняти виріб, спочатку зупиніть двигун, переведіть запобіжник у положення «0» і вийміть акумулятор.
- Не рухайтесь у зворотному напрямку під час роботи з виробом.
- Коли потрібно нахилити виріб для перенесення або перед його переміщенням ділянкою без трави, як-от асфальтом чи брущаткою, вимикайте двигун.
- Не бігайте з виробом, коли двигун увімкнений. Під час роботи з виробом необхідно ходити зі звичайною швидкістю.
- Вимикайте двигун, перш ніж змінювати висоту різання. Забороняється виконувати регулювання при ввімкненому двигуні.
- Забороняється залишати виріб без нагляду коли двигун працює. Зупиніть двигун та переконайтеся, що ріжуче обладнання не обертається.
- Рівень вібрації виробу під час роботи може відрізнятись від заявленого в розділі *Технічні характеристики на сторінці 600*. Відмінність зумовлена різними умовами використання виробу. Якщо ви використовуєте виріб часто або впродовж довгого часу, регулярно робіть перерви, щоб уникнути травмування внаслідок вібрації.

Техніка безпеки



ПОПЕРЕДЖЕННЯ: Перш ніж розпочати використання виробу, уважно прочитайте наведені нижче попередження.

- Використовуйте виріб лише для скошування трав'яних газонів. Заборонено використовувати виріб для інших цілей.
- Використовуйте засоби індивідуального захисту. Див. *Засоби індивідуального захисту на сторінці 588*.
- Дізнайтеся, як швидко зупинити двигун в екстремній ситуації.
- Не використовуйте виріб під дощем або в умовах підвищеної вологості. Потраплення води у виріб збільшує загрозу ураження електричним струмом.
- Забороняється використовувати виріб без правильно встановленого леза та всіх кожухів. Неправильно встановлене лезо може від'єднатися і призвести до травм.
- Слідкуйте, щоб лезо не зачіпляло сторонні предмети на кшталт каміння та коріння. Це може призвести до пошкодження леза та згинання вала двигуна. Зігнута вісь викликає значні вібрації та призводить до ризику від'єднання леза від виробу.
- У разі удару леза об будь-який сторонній предмет чи появи вібрації негайно зупиніть виріб. Зупиніть двигун, переведіть запобіжник у положення «0» і вийміть акумулятор. Зачекайте, доки рухомі деталі зупиняться. Перевіряйте виріб на наявність пошкоджень. Надійно закріпіть деталі, що розхиталися. Відремонтуйте пошкодження й замініть пошкоджені деталі. Доручайте ремонт авторизованому центру обслуговування.
- Забороняється закріплювати ручку зупинення двигуна на рукоятці, коли працює двигун.
- Поставте виріб на тверду рівну поверхню й увімкніть його. При цьому лезо не повинно торкатися землі або інших предметів.
- Під час роботи з виробом завжди залишайтеся позаду нього.
- Під час роботи з виробом всі колеса мають залишатися на землі, а обидві руки треба тримати на ручці. Тримайте руки й ноги на безпечній відстані від лез, що обертаються.
- Не нахиляйте виріб під час запуску двигуна чи використання.

Правила техніки безпеки під час використання

Засоби індивідуального захисту



ПОПЕРЕДЖЕННЯ: Перш ніж розпочати використання виробу, уважно прочитайте наведені нижче попередження.

- Засоби індивідуального захисту не можуть повністю усунути небезпеку травмування, але в разі нещасного випадку знизять ступінь тяжкості травми. Дозвольте дилеру допомогти вам із вибором підходящого обладнання.
- Використовуйте взуття із захистом від ковзання для роботи у важких умовах. Забороняється використовувати відкрите взуття або працювати взагалі без нього.
- Використовуйте цупкі довгі штани.
- За потреби використовуйте рукавички, наприклад, якщо необхідно приєднати, оглянути або почистити різальне обладнання.
- Рекомендуємо використовувати засоби захисту органів слуху.

Запобіжне обладнання на виробі



ПОПЕРЕДЖЕННЯ: Перш ніж розпочати використання виробу, уважно прочитайте наведені нижче попередження.

- Не використовуйте виріб із пошкодженими захисними пристроями.
- Не демонтуйте захисні пристрої та не вносьте в їх конструкцію зміни.
- Регулярно перевіряйте захисні пристрої. У випадку пошкодження захисних пристроїв зверніться до центру обслуговування Husqvarna.

Перевірка кожуха леза

Кожух леза частково поглинає вібрацію виробу та знижує небезпеку травмування лезом.

- Огляньте кожух леза та переконайтеся, що він не має пошкоджень на кшталт тріщин.

Перевірка ключа безпеки

Ключ безпеки знаходиться під кришкою акумуляторного відсіку. Ключ безпеки під'єднує акумулятор, який у свою чергу живить двигун.

- Для перевірки ключа безпеки запустіть і зупиніть двигун.
- Якщо ключ безпеки справний, двигун заводиться, лише якщо повернути ключ у положення «1».
(Мал. 24)

Перевірка ручки зупинення двигуна

Ручка зупинення двигуна зупиняє двигун. За відпускання ручки зупинення двигуна він зупиняється.

- Запустіть виріб. Див. *Запуск виробу на сторінці 594*.
- Відпустіть ручку зупинення двигуна. (Мал. 25)
- Переконайтеся, що виріб зупиняється. Якщо двигун не зупиняється протягом 3 секунд, необхідно передати виріб в авторизований центр обслуговування Husqvarna для налаштування гальма двигуна.

Перевірка обмежувача запуску

Перевірте обмежувач запуску, щоб переконатися, що він дійсно блокує роботу двигуна.

1. Перемістіть ручку зупинення двигуна в напрямку рукоятки. Обмежувач запуску блокує рух.
2. Потягніть обмежувач запуску. (Мал. 26)
3. Відпустіть обмежувач запуску та переконайтеся, що він повертається до початкового положення.

Заходи безпеки під час роботи з акумуляторами



ПОПЕРЕДЖЕННЯ: Прочитайте всі загальні інструкції та інструкції щодо техніки безпеки. Недотримання загальних інструкцій та інструкцій щодо техніки безпеки може призвести до ураження електричним струмом, пожежі та/або тяжкого травмування. **Збережіть інформацію щодо правил техніки безпеки й загальні інструкції для подальшого користування.**

- Ці інструкції щодо техніки безпеки застосовуються лише до літій-іонних акумуляторів на 18 В системи POWER FOR ALL.
- Використовуйте акумулятор лише у виробачах партнерів системи POWER FOR ALL. Акумулятори на 18 В із маркуванням POWER FOR ALL цілковито сумісні з такими виробами:
 - усі виробы з акумуляторною системою POWER FOR ALL на 18 В;
 - усі виробы на 18 В партнерів системи POWER FOR ALL.
- Дотримуйтеся рекомендацій щодо акумулятора, які містяться в посібнику з експлуатування вашого виробу. Тільки таким чином акумуляторну батарею та виріб можна експлуатувати без небезпеки, а акумуляторні батареї будуть захищені від небезпечного перевантаження.
- Заряджайте акумулятори лише за допомогою заряджальних пристроїв, рекомендованих виробником або партнерами системи POWER FOR ALL. Заряджальний пристрій для акумуляторів певного типу може створювати ризик пожежі в разі використання з іншим акумулятором.
- Акумулятори постачаються частково зарядженими. Щоб забезпечити повну ємність акумулятора, перед першим використанням електроінструмента повністю зарядіть акумулятор у заряджальному пристрої.
- Зберігайте блоки акумулятора в недоступному для дітей місці.
- Не відкривайте акумулятор. У цьому разі існує ризик короткого замикання.
- У разі пошкодження та неправильного використання акумулятора можливий викид випаровувань. Акумулятор може спалахнути або вибухнути. Переконайтеся, що приміщення добре провітрюється, а якщо відчуєть будь-які несприятливі наслідки, зверніться по медичну допомогу. Випаровування можуть викликати подразнення дихальної системи.
- У разі неправильного використання або пошкодження акумуляторів із них може витікати легкозаймиста рідина. Уникайте контактів із цією рідиною. У разі випадкового контакту з нею

промийте місце контакту водою. Якщо рідина потрапить в очі, зверніться по додаткову медичну допомогу. Рідина, виплеснута з акумулятора, може викликати подразнення або опіки.

Використовуйте заряджальний пристрій, лише якщо ви можете оцінити всі функції та користуватися ними без обмежень або якщо дістали відповідні інструкції.

- У разі пошкодження акумулятора рідина може вилитись і забруднити прилеглі поверхні. Перевірте частини, які перебували під впливом. Очистьте ці частини або замініть їх у разі потреби.
- Уникайте коротких замикань в акумуляторних блоках. Якщо акумуляторний блок не використовується, треба тримати його подалі від металевих об'єктів, як-от скріпки, монети, ключі, цвяхи, гвинти й інші дрібні металеві предмети, які можуть з'єднати одну клему акумулятора з іншою. Замикання контактів акумулятора може призвести до опіків або пожежі.
- Акумулятор можна пошкодити гострими предметами, як-от цвяхи чи викрутки, або докладанням зовнішнього зусилля. Може статися внутрішнє коротке замикання, яке спричинить горіння, задимлення, вибух або перегрівання.
- За жодних умов не виконуйте технічне обслуговування пошкоджених акумуляторних блоків. Технічне обслуговування акумуляторних блоків мають виконувати лише спеціалісти виробника або вповноваженого постачальника послуг.
- Захищайте акумулятор від нагрівання, наприклад безперервним інтенсивним сонячним світлом чи вогнем, а також від бруду, води й вологи. Існує ризик вибуху й короткого замикання.
- Використовуйте акумулятор виробу лише за температури навколишнього середовища в межах 0 °C – +40 °C.
- Зберігайте акумулятор лише за температури навколишнього середовища в межах -20 °C – +50 °C. Не залишайте акумулятор у машині, наприклад улітку. За температури <0 °C у деяких пристроях може забракнути живлення.
- Заряджайте акумулятор лише за температури навколишнього середовища від 0 °C до +35 °C. Заряджайте акумулятор через кабель USB лише за температури навколишнього середовища від +10 °C до +35 °C. Заряджання за межами цього діапазону температури може підвищувати ризик пошкодження акумулятора та створювати небезпеку пожежі.

- Цей зарядний пристрій не призначений для використання дітьми або особами з фізичними, сенсорними чи психічними обмеженнями та особами, які не мають необхідного досвіду чи знань. Цим зарядним пристроєм можуть користуватися діти віком від 8 років і особи з обмеженими фізичними, сенсорними чи психічними можливостями або особи без необхідного досвіду чи знань, якщо особа, відповідальна за їхню безпеку, наглядає за ними або проінструктувала їх щодо безпечної експлуатації зарядного пристрою та вони розуміють пов'язану із цим небезпеку. Інакше існує ризик виникнення помилок у роботі та травм.
- Під час використання, чищення та обслуговування акумулятора стежте за дітьми. Це гарантує, що діти не гратимуться із заряджальним пристроєм.
- Заряджайте лише акумулятор системи POWER FOR ALL з напругою 18 В і ємністю 1,5 А·год. Напруга акумулятора має відповідати напрузі заряджального пристрою для заряджання акумулятора. Не заряджайте неперезаряджувані батареї. Інакше існує ризик пожежі або вибуху.
- Використовуйте зарядний пристрій лише в закритих приміщеннях і не піддавайте його впливу вологи. Потраплення води в інструмент підвищує ризик ураження електричним струмом.
- Тримайте заряджальний пристрій у чистоті. Забруднення збільшує ризик ураження електричним струмом.
- Перед використанням завжди перевіряйте заряджальний пристрій, кабель і вилку. Якщо виявите будь-які пошкодження, припиніть використовувати заряджальний пристрій. Не відкривайте зарядний пристрій самостійно – його ремонт може здійснювати лише кваліфікований фахівець компанії Husqvarna або авторизованого центру післяпродажного обслуговування з використанням тільки оригінальних запасних частин. Пошкоджені заряджальний пристрій, кабель або вилка збільшують ризик ураження електричним струмом.
- Не використовуйте заряджальний пристрій на легкозаймистій поверхні (наприклад, на папері, тканині тощо) або в легкозаймистому середовищі. Існує ризик пожежі через нагрівання заряджального пристрою під час роботи.
- Не закривайте вентиляційні отвори заряджального пристрою. Інакше заряджальний пристрій може перегрітись і перестати працювати належним чином.
- Заряджати акумулятор треба виключно за допомогою заряджального пристрою,

Заходи безпеки під час роботи із зарядним пристроєм



ПОПЕРЕДЖЕННЯ: Прочитайте всі загальні інструкції та інструкції щодо техніки безпеки. Недотримання загальних інструкцій та інструкцій щодо техніки безпеки може призвести до ураження електричним струмом, пожежі та/або тяжкого травмування. Зберігайте ці інструкції в безпечному місці.

зазначеного виробником. Використання заряджального пристрою, призначеного для роботи з акумуляторами одного типу, з акумуляторами іншого типу може призвести до пожежі.

- **У разі пошкодження та неправильного використання акумулятора також можливий викид випаровувань.** Переконайтеся, що приміщення добре провітрюється, а якщо відчуєте будь-які несприятливі наслідки, зверніться по медичну допомогу. Випаровування можуть викликати подразнення дихальної системи.
- **У разі неналежного застосування може відбутися викид рідини з акумулятора. Уникайте контактів із цією рідиною. У разі випадкового контакту з нею промийте місце контакту водою. Якщо рідина потрапить в очі, зверніться по додаткову медичну допомогу.** Рідина, виплеснута з акумулятора, може викликати подразнення або опіки.
- **Вироби, продані виключно у Великій Британії:** Ваш виріб оснащено схваленою за стандартом BS 1363/A електричною вилкою з внутрішнім запобіжником (ASTA схвалено за стандартом BS 1362). Якщо вилка непридатна для вашої розетки, треба відрізати її та встановити на її місце відповідну вилку за допомогою агента авторизованої служби підтримки клієнтів. Вилка для заміни повинна мати той самий номінал запобіжника, що й оригінальна. Треба утилізувати відрізану вилку, щоб уникнути можливого ураження електричним струмом, і ніколи не вставляти її в будь-яку розетку.

Правила техніки безпеки під час обслуговування



ПОПЕРЕДЖЕННЯ: Перш ніж розпочати використання виробу, уважно прочитайте наведені нижче попередження.

- Для запобігання ненавмисному запуску двигуна під час обслуговування переведіть ключ безпеки в положення «0» та вийміть акумулятор. Перед початком обслуговування зачекайте щонайменше 5 секунд.
- Виконуйте лише те технічне обслуговування, що наведено в цьому посібнику користувача. Більш серйозні роботи й професійний ремонт повинні виконуватися співробітниками авторизованих центрів обслуговування. Більш детальну інформацію можна дізнатися в найближчому центрі обслуговування.
- Виконуйте технічне обслуговування правильно, адже це допоможе збільшити термін експлуатації виробу та зменшить небезпеку виникнення нещасних випадків.
- Замінійте пошкоджені, зношені або зламані деталі. Завжди використовуйте лише оригінальні запасні частини виробника. Інші запасні частини можуть пошкодити виріб і підвищити ризик нещасних випадків.
- Щоб запобігти травмуванню, не знімайте захисні пристрої та не змінюйте їх конструкцію.
- Під час роботи з різальним обладнанням завжди надгайте міцні рукавиці. Лезо дуже гостре, ним можна легко порізатися.
- Для найкращої продуктивності та безпеки слід підтримувати різальні кромки гострими та чистими.
- Регулярно віддавайте виріб у центр обслуговування, де його будуть перевіряти, робити необхідні налаштування або ремонт.
- Дотримуйтеся інструкцій щодо заміни аксесуарів. Користуйтеся аксесуарами лише від виробника обладнання.
- Коли виріб не використовується, зберігайте його окремо від акумулятора та зарядного пристрою в сухому закритому приміщенні. Переконайтеся, що діти та особи без належної підготовки не зможуть отримати доступ до виробу, акумулятора чи зарядного пристрою.

Збирання

Вступ



ПОПЕРЕДЖЕННЯ: Перед монтажем виробу необхідно прочитати розділ про заходи безпеки.



ПОПЕРЕДЖЕННЯ: Щоб запобігти випадковому ввімкненню виробу під час збирання, поверніть ключ безпеки в положення «0», вийміть акумуляторну батарею та почекайте принаймні 5 секунд.

Налаштування висоти ручки

Виріб має вільний крок регулювання висоти ручки. Висоту ручки можна налаштувати за допомогою 2 точок фіксування.

1. Установіть виріб у положення для експлуатування. Дивіться розділ *Установлення виробу в положення для експлуатування на сторінці 592*.
2. Поверніть затискні головки на рукоятках проти годинникової стрілки. (Мал. 27)
3. Установіть рукоятки в потрібне положення.
4. Вирівняйте обидві рукоятки.



УВАГА: Якщо не встановити рукоятки врівень, виріб може зазнати пошкодження.

5. Поверніть затисні головки на рукоятках за годинниковою стрілкою.
6. Надійно затягніть затисні головки.

Установлення травозбірника

1. Підніміть задню кришку.
2. Зніміть заглушку для мульчування.
3. Під'єднайте травозбірник до верхньої крайки рами.
4. Установіть нижню частину травозбірника в канали викидання трави. (Мал. 28)



УВАГА: Переконайтеся що травозбірник правильно приєднано до корпусу виробу.

Установлення заглушки для мульчування

1. Підніміть задню кришку й вийміть травозбірник.
2. Уставте заглушку для мульчування в канал викидання трави й натисніть на нього до клацання. (Мал. 29)

Експлуатація

Вступ



ПОПЕРЕДЖЕННЯ: Перед експлуатацією виробу обов'язково прочитайте й усвідомте зміст розділу про заходи безпеки.

Husqvarna Connect

Husqvarna Connect є безкоштовною програмою для мобільного пристрою. У програмі Husqvarna Connect доступна ціла низка розширених функцій для користування Husqvarna:

- розширена інформація про виріб;
- відомості про деталі й обслуговування виробу, а також довідкова інформація.

Щоб почати користуватися Husqvarna Connect

1. Завантажте програму Husqvarna Connect на свій мобільний пристрій.
2. Зареєструйтеся в програмі Husqvarna Connect.
3. Виконайте вказівки з підключення та реєстрації виробу, наведені в програмі Husqvarna Connect.

Монтаж кронштейна на стіні

- Кронштейн треба розташовувати в приміщенні.
- Місце встановлення кронштейна має бути захищеним від сонячного світла, а температура навколишнього повітря має становити від -10 до $+70$ °C.
- Кронштейн можна встановити на стіні з гіпсокартону, деревини або бетону.



УВАГА: Переконайтеся, що стіна витримує навантаження не менше 30 кг.

- Прикріпіть кронштейн до стіни за допомогою 3 гвинтів. Якщо треба, скористайтеся дюбелями (B). (Мал. 30)



УВАГА: Упевніться, що гвинти відповідають до типу вашої стіни.

- Зверніться до агента служби підтримки Husqvarna по інформацію про доступні аксесуари для зберігання вашого виробу.

Зверніть увагу: У деяких країнах програма Husqvarna Connect може бути недоступною для завантаження. По додаткову інформацію звертайтеся до свого сервісного дилера.

Установлення виробу в положення для експлуатування

1. Поверніть ручки налаштування висоти в розблоковане положення. (Мал. 31)
2. Відкиньте ручку, доки не почуєте клацання. (Мал. 32)



УВАГА: Переконайтеся, що кабелі натягнуто не занадто. Надмірне натягнення може призвести до пошкодження кабелю під час складання ручки в положення для транспортування.



ПОПЕРЕДЖЕННЯ: Переконайтеся, що ручка повністю розкладена й перебуває в зафіксованому положенні.

3. Відрегулюйте висоту ручки. Дивіться розділ *Налаштування висоти ручки на сторінці 591*.

Налаштування висоти різання

1. Щоб збільшити висоту різання, потягніть важіль регулювання висоти різання назад.
2. Щоб зменшити висоту різання, потягніть важіль регулювання висоти різання вперед. (Мал. 33)



УВАГА: Не встановлюйте замалу висоту різання. Леза можуть зачепити землю, якщо поверхня газону буде нерівною.

Акумулятор



ПОПЕРЕДЖЕННЯ: Перед використанням акумулятора обов'язково прочитайте й усвідомте зміст розділу про заходи безпеки. Також треба прочитати посібник користувача для акумулятора й заряджального пристрою та усвідомити його зміст.

Дотримуйтеся вимог щодо температури навколишнього середовища для акумулятора й заряджального пристрою.

| | Температура навколишнього середовища |
|--|--------------------------------------|
| Експлуатування акумулятора в складі виробу | 0 °C – +40 °C |
| Заряджання акумулятора | 0 °C – +35 °C |

Заряджання акумулятора

Перед першим використанням акумулятор треба зарядити.

Зверніть увагу: Процес заряджання можливий лише тоді, коли температура акумулятора знаходиться в межах дозволеного діапазону температур заряджання (0–45 °C).

1. Під'єднайте кабель живлення заряджального пристрою до електричної розетки із заземленням.



УВАГА: Переконайтеся в належній напрузі й частоті мережі живлення.

2. Уставте акумулятор у заряджальний пристрій. Акумулятор під'єднано до заряджального пристрою, коли блимає зелений світлодіод. (Мал. 34)

3. Акумулятор повністю заряджено, коли зелений світлодіод на заряджальному пристрої світиться постійно. Тривалість заряджання акумулятора не має перевищувати 24 години.
4. Від'єднайте заряджальний пристрій акумулятора від мережі.



УВАГА: У жодному разі не тягніть за шнур живлення.

5. Вийміть акумулятор із зарядного пристрою.

Світлодіодний індикатор стану акумулятора на заряджальному пристрої

Червоний (A) і зелений (B) світлодіоди на заряджальному пристрої відображають стан акумулятора. Дивіться розділ *Пошук і усунення несправностей заряджального пристрою на сторінці 596*.

(Мал. 35)

| Світлодіодний індикатор | Стан акумулятора |
|---|--|
| Зелений світлодіод блимає швидко. | Акумулятор заряджається. |
| Зелений світлодіод блимає повільно. | Акумулятор заряджено на 80 %. |
| Увімкнений зелений світлодіодний індикатор. | Акумулятор повністю заряджено. |
| Світиться червоний світлодіодний індикатор. | Дивіться розділ <i>Пошук і усунення несправностей заряджального пристрою на сторінці 596</i> . |
| Червоний світлодіод блимає швидко. | Дивіться розділ <i>Пошук і усунення несправностей заряджального пристрою на сторінці 596</i> . |

Світлодіодний індикатор стану акумулятора на виробі

Коли акумулятор встановлено у виріб, світлодіоди на виробі відображають стан акумулятора.

(Мал. 36)

| Світлодіодний індикатор | Стан акумулятора |
|--|---------------------|
| Світаються світлодіодні індикатори 1, 2 і 3. | Заряджено повністю. |
| Світаються світлодіодні індикатори 1 та 2. | Заряд достатній |

| | |
|--------------------------------|--|
| Світлодіодний індикатор | Стан акумулятора |
| Світлиться світлодіод 1. | Малий запас енергії в акумуляторі. |
| Блимає світлодіод 1. | Акумулятор розряджений. Індикатор стану акумулятора блимає. Зарядіть акумулятор. Дивіться розділ <i>Заряджання акумулятора на сторінці 593</i> . |

в положення «0», вийміть акумулятор і зачекайте щонайменше 5 секунд. Існує ризик того, що після усунення засмічення виріб раптово запуститься та травмує оператора.

Зупинення виробу



ПОПЕРЕДЖЕННЯ: Залишаючи виріб без нагляду, повертайте ключ безпеки в положення «0».

1. Щоб зупинити двигун, відпустіть ручку зупинення двигуна. (Мал. 39)
2. Відкрийте кришку акумуляторного відсіку й поверніть ключ безпеки в положення «0». (Мал. 40)
3. Щоб зняти акумулятор, натисніть кнопку фіксатора й витягніть його. (Мал. 41)
4. Якщо рівень заряду акумулятора низький, зарядіть його. Щоб дізнатися більше, див. *Заряджання акумулятора на сторінці 593*.

Забезпечення ефективної роботи

- Завжди користуйтеся гострим лезом. Тупе лезо ріже нерівно, а трава на поверхні розрізу жовтіє. Крім того, гостре лезо споживає менше енергії за тупе.
- Не скошуйте більше $\frac{1}{3}$ довжини трави. Спочатку треба виконувати скошування з великою висотою різання. Оцініть результат і зменште висоту зрізання на потрібну вам. Якщо трава дуже довга, ведіть газонокосарку повільно і виконайте скошування двічі, якщо це необхідно.
- Косіть щоразу в різних напрямках, щоб на газоні не було смуг.
- Тримайте кожух леза в чистоті. Скупчення трави й бруду на внутрішньому боці кожуха леза може негативно вплинути на результат роботи. Див. *Чищення виробу на сторінці 595*.

Запуск виробу

1. Відкрийте кришку акумуляторного відсіку.
2. Уставте заряджений акумулятор у тримач акумулятора.
3. Поверніть ключ безпеки в положення «1». (Мал. 37)
4. Залишайтеся позаду виробу.
5. Відпустіть обмежувач запуску. (Мал. 26)
6. Перемістіть ручку зупинення двигуна в напрямку рукоятки. (Мал. 38)

Функція підвищеної потужності

Якщо виріб використовується для зрізання довгої чи вологої трави, двигун автоматично збільшує оберти. Коли необхідність у підвищеній потужності зникає, двигун повертається до роботи в стандартному режимі.

Стопоріння двигуна

Під час роботи лезо та двигун можуть тимчасово зупинитися, якщо під кожухом леза є засмічення на кшталт скупчення трави. Дивіться розділ *Чищення виробу на сторінці 595*.



ПОПЕРЕДЖЕННЯ: Перед перевіркою кожуха леза відпустіть ручку гальма двигуна, переведіть ключ безпеки

ТЕХНІЧНЕ ОБСЛУГОВУВАННЯ

Вступ



ПОПЕРЕДЖЕННЯ: Перед виконанням робіт із технічного обслуговування обов'язково прочитайте й усвідомте зміст розділу про заходи безпеки.

Для всіх робіт з обслуговування та ремонту необхідна спеціальна підготовка. Ми гарантуємо доступність послуг із професійного ремонту та обслуговування. Якщо ваш дилер не є одночасно центром обслуговування, зверніться до

нього по інформацію щодо найближчого центру обслуговування.

Для отримання більш детальної інформації див. www.husqvarna.com.

Графік технічного обслуговування

Інтервали технічного обслуговування зазначено з урахуванням щоденного використання виробу. Інтервали змінюються для іншої частоти використання виробу.

Інформацію щодо технічного обслуговування елементів, позначених знаком *, див. у *Безпека на сторінці 584*.

| | Перед кожним використанням | Щомісяця | Кожного сезону |
|--|----------------------------|----------|----------------|
| Загальна перевірка. | X | | |
| Чищення виробу. | X | | |
| Перевірка обмежувача запуску. * | X | | |
| Перевірка справності захисних систем виробу. * | X | | |
| Перевірка різального обладнання. | X | | |
| Перевірка кожуха леза. * | X | | |
| Перевірка ручки зупинення двигуна. * | X | | |
| Перевірка акумулятора на наявність пошкоджень. | X | | |
| Перевірка рівня заряду акумулятора. | X | | |
| Перевірка справності кнопки виймання акумулятора й надійності утримування акумулятора у виробі. | X | | |
| Перевірка заряджального пристрою на наявність пошкоджень і правильність роботи. | | X | |
| Перевірка з'єднань між акумулятором і виробом. Перевірка з'єднань між акумулятором і заряджальним пристроєм. | | | X |

Процедура загальної перевірки

- Переконайтеся, що всі гайки й гвинти на виробі затягнуті.
- Переконайтеся, що кабелі встановлені так, щоб вони не пошкодились.

Чищення виробу

- Для очищення пластмасових деталей використовуйте суху чисту тканину.
- Не користуйтеся водою для очищення виробу. Вода може потрапити в акумулятор чи двигун та призвести до короткого замикання або пошкодження виробу.
- Для чищення виробу не використовуйте миючий апарат високого тиску.
- Заборонено лити воду безпосередньо на двигун.
- Прибирайте листя, траву та бруд за допомогою щітки.

Чищення акумулятора й заряджального пристрою



ПОПЕРЕДЖЕННЯ: Заборонено мити батарею чи заряджальний пристрій водою.



ПОПЕРЕДЖЕННЯ: Для очищення акумулятора не треба використовувати будь-які хімічні речовини.

- Перш ніж уставити акумулятор у заряджальний пристрій, переконайтеся, що вони обидва чисті й сухі.
- Чистити контакти акумулятора треба стисненим повітрям або за допомогою м'якої сухої ганчірки.
- Чистити поверхню акумулятора й заряджального пристрою треба за допомогою м'якої сухої ганчірки.

Перевірка різального обладнання



ПОПЕРЕДЖЕННЯ: Щоб запобігти випадковому ввімкненню виробу, поверніть ключ безпеки в положення «0», вийміть акумуляторну батарею та почекайте принаймні 5 секунд.



ПОПЕРЕДЖЕННЯ: Під час технічного обслуговування різального обладнання використовуйте захисні рукавиці. Лезо дуже гостре, ним можна легко порізатися.

1. Перевірте різальне обладнання на наявність пошкоджень або тріщин. Обов'язково замінійте пошкоджене різальне обладнання.
2. Огляньте лезо на предмет пошкоджень або затуплення.

Зверніть увагу: Після гостріння леза необхідно відрегулювати його баланс. Гостріння, заміну та балансування леза необхідно проводити в центрі обслуговування. У разі потрапляння на перешкоду, що призвела до зупинки двигуна, замініть пошкоджене лезо. Спеціалісти центру обслуговування мають провести оцінювання стану леза та надати консультацію щодо необхідності його гостріння або заміни.

Заміна ножа

Дивіться розділ *Технічні характеристики на сторінці 600* для визначення правильного типу леза.



ПОПЕРЕДЖЕННЯ: Заблокуйте лезо дерев'яним брусом, щоб уникнути травмування пальців під час його заміни. Лезо може рухатися, навіть коли двигун вимкнено, і це може призвести до застрягання пальців між лезом і нерухомими деталями.

1. Зафіксуйте лезо дерев'яним брусом. (Мал. 42)
2. Вийміть болт леза.
3. Зніміть лезо.
4. Перевірте опору леза й болт на наявність пошкоджень.
5. Перевірте вал двигуна на наявність згинань.
6. Під час встановлення нового леза спрямовуйте розміщені під кутом кінці в напрямку кожуха леза. (Мал. 43)
7. Переконайтеся, що лезо перебуває на одному рівні з центром вала двигуна.
8. Зафіксуйте лезо дерев'яним брусом. Установіть пружинну шайбу й затягніть болт і шайбу з моментом 23-28 Н·м. (Мал. 44)
9. Прокрутіть лезо рукою й переконайтеся в тому, що воно вільно обертається.



ПОПЕРЕДЖЕННЯ:

Використовуйте міцні робочі рукавиці. Лезо дуже гостре, ним можна легко порізатися.

10. Запустіть виріб, щоб перевірити роботу леза. У разі неправильного встановлення леза у виріб буде спостерігатися вібрація або результат скошування буде незадовільним.

Усунення несправностей

Пошук і усунення несправностей заряджального пристрою

| Світлодіодний індикатор на заряджальному пристрої | Причина | Вирішення |
|---|--|--|
| Зелений світлодіод світиться постійно, а червоний – блимає. | Акумулятор неправильно встановлено в заряджальному пристрої. | Витягніть акумулятор із заряджального пристрою та встановіть заново. |
| | Роз'єми акумулятора забруднені. | Очистьте роз'єми акумулятора. |
| | Зарядний пристрій виявив внутрішню помилку. | Переконайтеся, що всі акумулятори вставлено повністю. Від'єднайте штепсель кабелю живлення та знову вставте. Якщо помилка виникає знову, віддайте зарядний пристрій на перевірку в авторизований центр післяпродажного обслуговування продуктів Husqvarna. |
| | Несправний акумулятор. | Замініть акумулятор. |
| Червоний світлодіод світиться, а зелений – ні. | Температура акумулятора виходить за межі діапазону заряджання. | Зачекайте, доки температура акумулятора не повернеться в межі допустимого діапазону температур заряджання (0–45 °C). |

| Світлодіодний індикатор на заряджальному пристрої | Причина | Вирішення |
|---|--|--|
| Зелений і червоний світлодіоди вимкнено. | Заряджальний пристрій неправильно під'єднано до розетки мережі живлення. | Під'єднайте заряджальний пристрій до розетки мережі живлення. |
| | Несправна розетка мережі живлення. | Під'єднайте заряджальний пристрій до джерела електроживлення, напруга й частота якого відповідають значенням на паспортній табличці. |
| | Кабель заряджального пристрою акумулятора має дефект. | Зверніться в авторизований центр обслуговування. |
| | Заряджальний пристрій акумулятора несправний. | |
| Інші помилки. | У разі виникнення інших помилок переконайтеся, що виріб вимкнений, вийміть акумулятор і зверніться в авторизований центр обслуговування. | |

Пошук і усунення несправностей газонокосарки

Індикатор попередження (світлодіод помилки) розташовано позаду виробу, за кришкою акумуляторного відсіку.

| Несправність | Світлодіодний індикатор помилки (кількість спалахів) | Причина | Вирішення |
|---|--|---|--|
| Світлодіодний індикатор помилки блимає. Виріб працює неправильно. | 5 | Лезо заблоковане. | Щоб запобігти випадковому запуску двигуна, поверніть ключ безпеки в положення «0». Вийміть акумулятор і зачекайте щонайменше 5 секунд. Видаліть можливі перешкоди й переконайтеся, що лезо може вільно обертатися. Якщо проблему не вдається усунути, зверніться в авторизований центр обслуговування. |
| | | Частота обертання двигуна занадто падає, і він зупиняється. | Збільште висоту різання. Дивіться розділ <i>Налаштування висоти різання на сторінці 593</i> . |
| | 10 | Елементи керування двигуном занадто нагрілися. | Зупиніть двигун і почекайте, доки він охолоне. |

| Несправність | Світлодіодний індикатор помилки (кількість спалахів) | Причина | Вирішення |
|--|---|--|---|
| Світлодіодний індикатор помилки блимає. Виріб зупиняється. | 22 | Температура акумулятора занадто висока через високу температуру робочого середовища. | Вийміть акумулятор із машини й зачекайте, доки вона охолоне, перш ніж знову запускати її. Упевніться, що температура навколишнього середовища правильна. Використовуйте акумулятор за температури від 0 °C до +40 °C. Якщо проблему не вдається усунути, зверніться в авторизований центр обслуговування. |
| | | Температура акумулятора занадто висока через перевантаження двигуна | Збільште висоту різання. Дивіться розділ <i>Налаштування висоти різання на сторінці 593</i> . Якщо проблему не вдається усунути, зверніться в авторизований центр обслуговування. |
| | 0 | Несправність роз'єму акумулятора. | Огляньте роз'єм акумулятора. |
| | 3 | Перевантаження двигуна. | Збільште висоту різання. Дивіться розділ <i>Налаштування висоти різання на сторінці 593</i> . |
| | 9 | Помилка акумулятора або відсутність сигналу від нього. | Правильно вставте акумулятор у виріб і перевірте його роз'єм. Якщо світлодіодний індикатор помилки на акумуляторі блимає, див. <i>Пошук і усунення несправностей заряджального пристрою на сторінці 596</i> . Якщо проблему не вдається усунути, зверніться в авторизований центр обслуговування. |
| | 8 | Занизький рівень заряду акумулятора. | Зарядіть акумулятор. Дивіться розділ <i>Заряджання акумулятора на сторінці 593</i> . |
| | 12 | Неправильна процедура запуску. Задіяно ручку зупинення двигуна перед його запуском. | Відпустіть ручку зупинення двигуна й зачекайте приблизно 5 секунд. Знову натисніть ручку зупинення двигуна, щоб запустити виріб. |
| Інші помилки. | У разі появи інших помилок поверніть ключ безпеки в положення «0», вийміть акумулятор і зверніться в затверджений центр обслуговування. | | |

Транспортування, зберігання й утилізація

Вступ

вийміть акумулятор і зачекайте принаймні 5 секунд.



ПОПЕРЕДЖЕННЯ: Щоб запобігти випадковому ввімкненню виробу під час транспортування та зберігання, поверніть ключ безпеки в положення «0»,

Установлення виробу в положення для транспортування

1. Зніміть травозбірник і впевніться, що він порожній.

2. Поверніть затискні головки на рукоятках проти годинникової стрілки в розблоковане положення. (Мал. 45)
3. Штовхніть ручку в напрямку заднього кожуха.
4. Поверніть затискні головки на рукоятках за годинниковою стрілкою в положення фіксації.
5. Поверніть ручки налаштування висоти в розблоковане положення. (Мал. 46)
6. Складіть ручку, доки не почуєте клацання. (Мал. 47)

Дивіться розділ *Щоб установити виріб у положення для зберігання на сторінці 599* щодо зберігання виробу.

Транспортування

- До літій-іонних акумуляторів, що йдуть у комплекті, застосовується законодавство щодо небезпечних товарів.
- Під час транспортування цивільним транспортом слід дотримуватися спеціальних вимог, що зазначені на пакуванні та наклейках.
- У разі підготовки виробу до транспортування переконайтеся, що ви дотримуетесь законодавства щодо небезпечних матеріалів. Крім того, можуть застосовуватися місцеві норми.
- Перед перевезенням виробу слід завжди виймати акумуляторну батарею.
- Заклейте з'єднувачі акумулятора стрічкою та переконайтеся, що під час транспортування він буде надійно зафіксований.
- Під час транспортування закріплюйте виріб.

Зберігання

- Перед зберіганням виробу дайте йому охолонути.
- Перед зберіганням виробу завжди треба виймати акумулятор.
- Задля уникнення нещасних випадків переконайтеся, що під час зберігання акумулятор не під'єднаний до виробу.
- Зберігайте заряджальний пристрій у сухому місці в закритому приміщенні.
- Зберігайте акумулятор і заряджальний пристрій у сухому місці, захищеному від вологи й холоду.
- Під час зберігання від'єднуйте акумулятор від заряджального пристрою.
- Заборонено зберігати акумулятор у місці, де можуть утворюватися статичні заряди. Не зберігайте акумулятор у металевій коробці.
- Зберігайте виріб за температури навколишнього середовища від -20 до $+50$ °C.
- Зберігайте акумулятор за температури навколишнього середовища від -20 до $+50$ °C у захищеному від прямого сонячного проміння місці.
- Зберігайте заряджальний пристрій у сухому місці, захищеному від низьких температур.

- Перед тривалим зберіганням акумуляторної батареї переконайтеся, що вона чиста й заряджена.
- Зберігайте виріб, акумулятор і заряджальний пристрій у закритому приміщенні, куди не зможуть дістати доступ діти й особи без належної підготовки.
- Очистьте виріб і впевніться, що травозбірник порожній.
- Виконуйте роботи з технічного обслуговування, описані в цьому посібнику користувача. Дивіться розділ *ТЕХНІЧНЕ ОБСЛУГОВУВАННЯ на сторінці 594*.
- Перед тривалим зберіганням виробу здійсніть його повне технічне обслуговування.

Щоб установити виріб у положення для зберігання



ПОПЕРЕДЖЕННЯ: Щоб запобігти випадковому ввімкненню виробу під час транспортування та зберігання, поверніть ключ безпеки в положення «0», вийміть акумулятор і зачекайте принаймні 5 секунд.

1. Вийміть акумулятор.
2. Установіть виріб у положення для транспортування. Дивіться розділ *Установлення виробу в положення для транспортування на сторінці 598*.
3. Перемістіть виріб у місце для зберігання.

Для зберігання виробу в горизонтальному положенні на землі

1. Установіть виріб у положення для зберігання. Дивіться розділ *Щоб установити виріб у положення для зберігання на сторінці 599*.
2. Приєднайте травозбірник. Дивіться розділ *Кріплення травозбірника на сторінці 600*.
3. Зберігайте виріб у горизонтальному положенні на землі. (Мал. 48)

Зберігання виробу у вертикальному положенні на землі

1. Установіть виріб у положення для зберігання. Дивіться розділ *Щоб установити виріб у положення для зберігання на сторінці 599*.
2. Підійміть виріб за точки піднімання на ручці й поставте вертикально на рівну поверхню. (Мал. 49)



ПОПЕРЕДЖЕННЯ: Не підіймайте виріб за кожух леза. Лезо дуже гостре, ним можна легко порізатися.

3. Приєднайте травозбірник. Дивіться розділ *Кріплення травозбірника на сторінці 600.*
4. Переконайтеся, що виріб перебуває в стійкому положенні та що 2 опорні ніжки торкаються підлоги.
5. Зберігайте виріб у вертикальному положенні на землі. (Мал. 50)

Зберігання виробу у вертикальному положенні на кронштейні, який входить до комплекту



ПОПЕРЕДЖЕННЯ: Вішайте виріб на стіну лише за допомогою кронштейна, що входить до комплекту.

1. Установіть кронштейн, який входить до комплекту. Дивіться розділ *Монтаж кронштейна на стіні на сторінці 592.*
2. Установіть виріб у положення для зберігання. Дивіться розділ *Щоб установити виріб у положення для зберігання на сторінці 599.*
3. Підніміть виріб за точки підймання на ручці. (Мал. 49)



ПОПЕРЕДЖЕННЯ: Не підіймайте виріб за кожух леза. Лезо дуже гостре, ним можна легко порізатися.

4. Вішайте виріб вертикально на кронштейні, який входить до комплекту. Дивіться розділ *Монтаж кронштейна на стіні на сторінці 592.* (Мал. 51)
5. Переконайтеся, що виріб висить правильно й надійно розташований на 2 стрижнях кронштейна.
6. Приєднайте травозбірник. Дивіться розділ *Кріплення травозбірника на сторінці 600.*

Кріплення травозбірника

1. Під'єднайте травозбірник до паза на фронтальному боці виробу. (Мал. 52)
2. Притискайте нижню частину травозбірника навпроти точки підймання, доки не почуєте клацання. (Мал. 53)

Утилізація

Символи на виробі або його упаковці вказують на те, що його не слід утилізувати разом із побутовими відходами. Утилізацію цього виробу слід здійснювати на спеціалізованому підприємстві з переробки відходів електричного й електронного обладнання.

Належна утилізація виробу допоможе запобігти потенційному негативному впливу на стан навколишнього середовища та здоров'я людей, який може стати наслідком некоректної обробки відходів. Докладну інформацію про утилізацію цього виробу можна отримати в органах місцевого самоврядування, місцевих службах переробки відходів або в магазині, де було придбано цей пристрій.

(Мал. 54)

Тільки для країн ЄС. Згідно з Директивою 2006/66/ЄС, несправні або використані акумуляторні блоки / акумулятори необхідно збирати окремо й утилізувати в екологічно чистий спосіб.

Тільки для Сполученого Королівства. Згідно з Положенням про поводження з відпрацьованими батареями й акумуляторами 2009 року (SI 2009/890) (з поправками), акумуляторні блоки / акумулятори, які більше неможливо використовувати, необхідно збирати окремо й утилізувати в екологічно чистий спосіб.

Технічні характеристики

Технічні характеристики

| | | Aspire LC34-P4A |
|---|--|---|
| Різальний двигун | | |
| Тип двигуна | | Двигун постійного струму (без щіток) 18 В |
| Швидкість двигуна – номінальна, об. на хв | | 3000 |
| Швидкість двигуна – збільшена потужність, об. на хв | | 3500 |
| Вихідна потужність двигуна – максимальна, кВт | | 0,7 |
| Вихідна потужність двигуна – номінальна, кВт | | 0,5 |
| Приводний двигун | | |

| | |
|--|------------------------|
| | Aspire LC34-P4A |
| Вихідна потужність двигуна – номінальна, кВт | Не застосовується |
| Швидкість самохідного руху, км/ч | Не застосовується |
| Рівні швидкості | Не застосовується |
| Маса | |
| Маса без мішка (без акумулятора), кг | 11,5 |
| Маса з мішком (з урахуванням P4A 18-B72, 1 шт.), кг | 13,5 |
| Акумулятор | |
| Тип акумулятора | Літій-іонний |
| Ресурс акумулятора | |
| Ресурс акумулятора, хв ¹⁰⁵ | 60 |
| Випромінювання шуму ¹⁰⁶ | |
| Рівень звукової потужності, дБ (A) | 86 |
| Гарантований рівень звукової потужності, L _{WA} дБ(A) | 87 |
| Рівні звуку ¹⁰⁷ | |
| Рівень звукового тиску у вусі оператора, дБ(A) | 74 |
| Рівні вібрації ¹⁰⁸ | |
| Ручка, м/с ² | 0,5 |
| Різальне обладнання | |
| Висота зрізання, мм | 30–65 |
| Ширина зрізання, см | 34 |
| Стандартне лезо | Combi 5375561-10 |
| Додаткове лезо | Не застосовується |
| Ємність травозбірника, літрів | 30 |

Схвалені акумулятори

Для живлення цього пристрою можна використовувати будь-які акумулятори **POWER FOR**

ALL. Щоб забезпечити найкращу продуктивність рекомендується використовувати акумулятори з ємністю щонайменше 4,0 А·год.

| Акумулятор | P4A 18-B45 | P4A 18-B72 |
|------------|--------------|--------------|
| Тип | Літій-іонний | Літій-іонний |

¹⁰⁵ (вільне обертання) з активованим стандартним режимом та одним акумулятором Husqvarna ємністю 4,0 А·год (P4A 18-B72).

¹⁰⁶ Випромінювання шуму в середовище, виміряне як звукова потужність (L_{WA}), відповідає директиві ЄС 2000/14/ЄС.

¹⁰⁷ Заявлені дані про рівень шумового тиску мають похибку (К), яка становить 1,5 дБ (А).

¹⁰⁸ Заявлені дані про рівень вібрації мають похибку (К), яка становить 1,5 м/с². Зазначене загальне значення рівня вібрації виміряно відповідно до додатку І стандарту EN 62841-4-3, його можна використовувати для порівняння однієї машини з іншою, а також для попереднього оцінювання впливу вібрації на оператора.

| Акумулятор | P4A 18-B45 | P4A 18-B72 |
|-------------------------------|-------------------|-------------------|
| Ємність батареї, ампер-години | 2,5 | 4,0 |
| Номінальна напруга, В | 18 | 18 |
| Маса, кг | 0,35 | 0,65 |
| Кількість елементів (Li-Ion) | 5 | 10 |

Сертифіковані зарядні пристрої

| Зарядний пристрій | P4A 18-C70 |
|--------------------------|-------------------|
| Вхідна напруга, В | 220–240 |
| Частота, Гц | 50–60 |
| Потужність, Вт | 70 |

Декларація відповідності

Декларація відповідності ЄС

Ми, компанія **Husqvarna AB**, SE-561 82 Huskvarna, Швеція, тел.: +46-36-146500, заявляємо під свою виключну відповідальність, що представлений виріб:

| | |
|----------------------|--------------------------------------|
| Опис | Газонокосарка |
| Бренд | Husqvarna |
| Тип / модель | Aspire LC34-P4A |
| Ідентифікація | Серійні номери за 2022 рік і пізніше |

повністю відповідає таким директивам і нормам ЄС:

| Норма | Опис |
|--------------|--|
| 2006/42/EC | «Про механічне обладнання» |
| 2014/30/EU | «Про електромагнітну сумісність» |
| 2000/14/EC | «Про виділення шуму в навколишнє середовище» |
| 2011/65/EU | «Про обмеження використання деяких небезпечних речовин в електричному й електронному обладнанні» |

і що до нього застосовуються вказані далі узгоджені стандарти та/або технічні специфікації: EN 62841-1:2015/AC:2015, EN IEC 62841-4-3:2021/A11:2021, EN ISO 12100:2010, EN 55014-1:2021, EN 55014-2:2021, EN IEC 61000-6-2:2019, EN IEC 61000-6-3:2021, EN IEC 63000:2018

Уповноважений орган: Компанія 0404, RISE SMP Svensk Maskinprovning AB, Box 4053, SE-904 03 Umeå, Sweden підтвердила відповідність директиві ради ЄС 2000/14/EC, процедура оцінки відповідності: Додаток VI.

Відомості стосовно випромінювання шуму дивіться в розділі *Технічні характеристики на сторінці 600*.

Husqvarna, 2022-10-24



Клас Лосдал (Claes Losdal), директор із питань розвитку / продукції для садівництва, Husqvarna AB

Відповідальний за технічну документацію



Copyright © 2012–2020 STMicroelectronics

Гарантія не поширюється на дефекти, що з'явилися внаслідок нормального зношування, недбалого поводження, використання не за призначенням, несанкціонованого ремонту або в разі під'єднання всмоктувального апарата до джерела невідповідної напруги.

Усі права застережено.

Поширення та використання у вихідній і двійковій формах, зі змінами або без них, дозволено в разі дотримання таких умов:

- Поширення вихідного коду має супроводжуватися наведеним вище повідомленням про авторські права, переліком цих умов і подальшим застереженням.
- Комплект постачання для поширення у двійковій формі має супроводжуватися в документації та/або інших матеріалах, що надаються разом із таким комплектом, вищезазначеним повідомленням про авторські права, переліком цих умов і подальшою відмовою від відповідальності.
- Ані назва STMicroelectronics, ані назви учасників не можуть використовуватися для підтримки чи просування продуктів, створених на основі цього програмного забезпечення, без спеціального попереднього письмового дозволу.

ЦЕ ПРОГРАМНЕ ЗАБЕЗПЕЧЕННЯ НАДАЮТЬ ВЛАСНИКИ АВТОРСЬКИХ ПРАВ ТА УЧАСНИКАМИ У ВИГЛЯДІ «ЯК Є», ІЗ ВІДМОВОЮ ВІД БУДЬ-ЯКИХ БЕЗПОСЕРЕДНИХ АБО ОПОСЕРЕДКОВАНИХ ГАРАНТІЙ, ВКЛЮЧНО ОПОСЕРЕДКОВАНИМИ ГАРАНТІЯМИ КОМЕРЦІЙНОЇ ПРИДАТНОСТІ ТА ПРИДАТНОСТІ ДЛЯ БУДЬ-ЯКОЇ КОНКРЕТНОЇ МЕТИ, АЛЕ НЕ ОБМЕЖУЮЧИСЬ НИМИ. ВЛАСНИК АВТОРСЬКИХ ПРАВ АБО УЧАСНИК В ЖОДНОМУ РАЗІ НЕ НЕСУТЬ ВІДПОВІДАЛЬНОСТІ ЗА БУДЬ-ЯКІ БЕЗПОСЕРЕДНІ, ОПОСЕРЕДКОВАНІ, ВИПАДКОВІ, ОСОБЛИВІ, ШТРАФНІ АБО ПОБІЧНІ ЗБИТКИ (ВКЛЮЧНО З ПРИДБАННЯМ ТОВАРІВ АБО ПОСЛУГ НА ЗАМІНУ, ВТРАТОЮ МОЖЛИВОСТІ ВИКОРИСТАННЯ, ДАНИХ АБО ПРИБУТКУ АБО ПЕРЕРВОЮ У ВЕДЕННІ ДІЯЛЬНОСТІ, АЛЕ НЕ ОБМЕЖУЮЧИСЬ НИМИ) НЕЗАЛЕЖНО ВІД ПРИЧИН І ЗГІДНО З БУДЬ-ЯКИМИ ПРИЧИНАМИ Й ВИДАМИ ВІДПОВІДАЛЬНОСТІ, ЧИ-ТО ДОГОВОРОМ, ЧИ-ТО БЕЗПОСЕРЕДНЬОЮ ВІДПОВІДАльніСТЮ АБО ДЕЛІКТОМ (ВКЛЮЧНО З НЕДБАЛІСТЮ АБО ІНШИМИ ПІДСТАВАМИ), ЯКІ ВИНИКАЮТЬ ЧЕРЕЗ БУДЬ-ЯКИЙ СПОСІБ ВИКОРИСТАННЯ ЦЬОГО ПРОГРАМНОГО ЗАБЕЗПЕЧЕННЯ, НАВІТЬ ЯКЩО БУЛО ПОВІДОМЛЕНО ПРО МОЖЛИВІСТЬ ТАКОГО ЗБИТКУ.

Ліцензія Apache 2.0

Авторське право © 2009-2019 Arm Limited. Усі права застережено.

Версія 2.0, січень 2004 <http://www.apache.org/licenses/>

УМОВИ Й ПОЛОЖЕННЯ ЩОДО ВИКОРИСТАННЯ, ВІДТВОРЕННЯ ТА ПОШИРЕННЯ

1. Визначення.

«Ліцензія» означатиме положення та умови використання, відтворення та поширення, як визначено в Розділах 1–9 цього документа.

«Ліцензіар» означатиме власника авторських прав або організацію, уповноважену власником авторських прав, яка надає цю Ліцензію. **«Юридична особа»** означатиме сукупність виконавчої організації та всіх інших організацій, які керують цією організацією, керуються нею або перебувають під спільним керуванням із нею. Для цілей цього визначення **«керування»** означає (i) повноваження, безпосередні або опосередковані, розпоряджатися або керувати такою організацією, за контрактом або будь-яким іншим чином, або (ii) володіння п'ятдесяти відсотками (50 %) або більшою кількістю акцій, що перебувають в обігу, або (iii) бенефіціарне володіння такою організацією. **«Ви»** (або **«Ваш»**) означатиме фізичну або юридичну особу, яка користується дозволами, наданими за цією Ліцензією. **«Вихідна»** форма означатиме бажану форму для внесення змін, включно з вихідним кодом програмного забезпечення, вихідною документацією та файлами конфігурації, але не обмежуючись ними. **«Об'єктна»** форма означатиме будь-яку форму, отриману в результаті механічного перетворення або трансляції Вихідної форми, включно зі скомпільованим об'єктним кодом, згенерованою документацією та перетворенням для носіїв інших типів. **«Робота»** означатиме авторську роботу у вихідній чи об'єктній формі, надану згідно з Ліцензією, як зазначено в повідомленні про авторські права, яке включено чи додано до такої роботи (приклад наведено в Додатку нижче). **«Похідні роботи»** означатиме будь-яку роботу у вихідній чи об'єктній формі, засновану на Роботі (або похідну від неї), для якої редакційні виправлення, зауваження, уточнення або інші модифікації є загалом оригінальною авторською роботою. Для цілей цієї Ліцензії Похідні роботи не включатимуть у себе роботи, які залишаються відокремленими або просто пов'язані (або прив'язані за назвою) до інтерфейсів Роботи та її Похідних робіт. **«Внесок»** означатиме будь-яку авторську роботу, включно з оригінальною версією Роботи й будь-якими модифікаціями цієї Роботи чи доповненнями до неї або до Похідних робіт від неї, яку навмисно надано Ліцензіарові власником авторських прав або фізичною чи Юридичною особою, уповноваженою діяти від імені власника авторських прав, для включення до складу Роботи. Для цілей цього визначення, **«надана»**

означає будь-яку форму електронного, усного чи письмового повідомлення, надісланого Ліцензіарові або його представникам, включно з повідомленнями за списками електронного розсилання, але не обмежуючись ними, у системах контролю вихідного коду й системах відстежування проблем у ПЗ, керування якими здійснюється Ліцензіаром або від його імені, метою яких є обговорення та вдосконалення Роботи, але виключає повідомлення, які явним або іншим чином позначено в письмовій формі власником авторських прав як **«Не є внеском»**. **«Учасник»** означатиме Ліцензіара й будь-яку фізичну чи Юридичну особу, від імені якої Внесок було отримано Ліцензіаром і згодом включено до складу Роботи.

2. Надання Ліцензії на авторське право.

Згідно з умовами та положеннями цієї Ліцензії кожен Учасник цим надає Вам безстрокову, усесвітню, невиключну, безкоштовну, безоплатну, безвідкличну ліцензію на авторське право для здійснення відтворення, підготовки Похідних робіт, публічного показу, публічного виконання, субліцензування та поширення Роботи й таких Похідних робіт у вихідній або об'єктній формі.

3. Надання Патентної ліцензії.

Згідно з умовами й положеннями цієї Ліцензії, кожен Учасник цим надає Вам безстрокову, усесвітню, невиключну, безкоштовну, безоплатну, безвідкличну (за винятком випадків, зазначених у цьому розділі) патентну ліцензію на створення, використання, пропозицію продажу, продаж, імпорт та передавання Роботи іншим чином, якщо така ліцензія поширюється лише на ті патентні претензії, які можуть бути ліцензовані таким Учасником, права на які обов'язково порушуються лише його Внеском(-ами) або поєднанням його Внеску(-ів) з Роботою, до якої було надано такий Внесок(-и). Якщо Ви порушуєте патентний позов проти будь-якої організації (включно з перехресним позовом або зустрічним позовом у складі судового позову), стверджуючи, що Робота або Внесок, включений до складу Роботи, є прямим або непрямим порушенням патентних прав, тоді чинність будь-яких патентних ліцензій, наданих Вам згідно з цією Ліцензією на цю Роботу, буде припинено з дати подання такого позову.

4. Поширення.

Ви можете відтворювати й поширювати копії Роботи або Похідних робіт на будь-якому носії, зі змінами або без них, у вихідній чи об'єктній формі, за умови, що Ви відповідаєте таким умовам:

- Ви повинні надати будь-яким іншим одержувачам Роботи або Похідних робіт копію цієї Ліцензії; і
- Ви повинні зробити так, щоб будь-які змінені файли містили помітні повідомлення про те, що Ви внесли зміни до цих файлів; і Ви повинні залишати у Вихідній формі будь-яких

Похідних робіт, які поширюєте, усі повідомлення про авторські права, патенти, товарні знаки й покликання на авторство з Вихідної форми Роботи, за винятком тих повідомлень, які не стосуються жодної частини Похідних робіт; і

- Якщо Робота включає в себе текстовий файл **«ПОВІДОМЛЕННЯ»** як частину комплекту постачання, тоді будь-які Похідні роботи, які ви поширюєте, повинні містити придатну для читання копію повідомлень про авторство, які містяться в такому файлі ПОВІДОМЛЕННЯ, за винятком тих повідомлень, які не стосуються жодної частини Похідної роботи, принаймні в одному з таких місць: у текстовому файлі ПОВІДОМЛЕННЯ, який поширюють як частину Похідних робіт; у Вихідній формі або документації, якщо вони надаються разом із Похідними роботами; або в межах відображення, згенерованого Похідними роботами, незалежно від наявності та звичайних місць відображення аналогічних повідомлень третіх сторін. Вміст файлу ПОВІДОМЛЕННЯ призначено лише для інформаційних цілей, а не для зміни Ліцензії. У Похідних роботах, які Ви поширюєте, Ви можете додавати свої власні повідомлення про авторство поряд із текстом ПОВІДОМЛЕННЯ щодо Роботи або як додаток до нього, за умови, що такі додаткові повідомлення про авторство не можуть тлумачитися як внесення змін до Ліцензії. Ви можете додати до своїх модифікацій власну заяву про авторські права й передбачити додаткові або інші умови ліцензії на використання, відтворення чи поширення своїх модифікацій або для будь-яких таких Похідних робіт загалом, за умови, що використання, відтворення та розповсюдження Роботи Вами в іншому разі відповідає умовам, зазначеним у цій Ліцензії.

5. Надання Внесків.

Якщо Ви явним чином не зазначите інше, будь-який Внесок, навмисно наданий Вами Ліцензіарові для включення до складу Роботи, має відповідати положенням та умовам цієї Ліцензії без будь-яких додаткових положень або умов. Незважаючи на вищезазначене, ніщо в цьому документі не замінює та не змінює умов будь-якої окремої ліцензійної угоди, яку ви могли укласти з Ліцензіаром щодо таких Внесків.

6. Товарні знаки.

Ця Ліцензія не надає дозволу на використання торгових назв, товарних знаків, знаків обслуговування або назв продуктів Ліцензіара, за винятком випадків, коли це потрібно для доцільного та звичного використання в описі походження Роботи й відтворення вмісту файлу ПОВІДОМЛЕННЯ.

7. Відмова від Гарантії.

Якщо цього не вимагає застосовне законодавство або якщо це не погоджено в письмовій формі, Ліцензіар надає Роботу (і кожен Учасник надає свої Внески) у вигляді «ЯК Є», БЕЗ БУДЬ-ЯКИХ ГАРАНТІЙ АБО УМОВ, виражених явним чином або таких, що маються на увазі, включно, без обмежень, із будь-якими гарантіями чи умовами ПРАВА ВОЛОДІННЯ, НЕПОРУШЕННЯ ПРАВ, КОМЕРЦІЙНОЇ ПРИДАТНОСТІ або ПРИДАТНОСТІ ДЛЯ КОНКРЕТНОЇ МЕТИ. Ви несете виключну відповідальність за визначення доцільності застосування або поширення Роботи та приймаєте на себе будь-які ризики, пов'язані з користуванням дозволами, наданими згідно з цією Ліцензією. 8. Обмеження відповідальності. За будь-яких обставин і згідно з будь-якою законодавчою базою, чи-то делікт (включно з недбалістю), чи-то договір або інше, якщо цього не вимагає застосовне законодавство (наприклад, навмисні дії та груба недбалість) або це не погоджено в письмовій формі, жоден Учасник не нестиме відповідальності перед Вами за збитки, зокрема будь-які безпосередні, опосередковані, особливі, випадкові або наслідкові збитки будь-якого характеру, що виникають унаслідок цієї Ліцензії або через використання чи неможливість

використання Роботи (включно зі збитками за втрату репутації, припинення діяльності, збій чи несправність комп'ютера або будь-які інші комерційні збитки чи втрати, але не обмежуючись ними), навіть якщо такого Учасника було повідомлено про можливість таких збитків.

9. Прийняття на себе гарантії або додаткової відповідальності.

У разі поширення Роботи або її Похідних робіт Ви можете вибрати пропозицію та визначити плату за прийняття на себе підтримки, гарантії, відшкодування чи інших зобов'язань та/або прав, які відповідають цій Ліцензії. Однак, приймаючи на себе такі зобов'язання, Ви можете діяти лише від власного імені й виключно під свою відповідальність, а не від імені будь-якого іншого Учасника, і лише в разі, якщо Ви погоджуєтеся відшкодувати, захищати та звільняти кожного Учасника від будь-якої понесеної відповідальності або претензій, висунутих проти такого Учасника через те, що ви приймаєте на себе будь-яку таку гарантію чи додаткову відповідальність. КІНЕЦЬ УМОВ І ПОЛОЖЕНЬ

Зареєстровані товарні знаки

QR-код є зареєстрованим товарним знаком DENSO WAVE INCORPORATED у Японії.



FR

Cet appareil,
ses cordons,
et batterie
se recyclent

À DÉPOSER
EN MAGASIN

OU

À DÉPOSER
EN DÉCHÈTERIE

Points de collecte sur www.quefairedemesdechets.fr
Privilégiez la réparation ou le don de votre appareil !

Husqvarna®

www.husqvarna.com

Original instructions
Оригинални инструкции
Původní pokyny
Originale instruktioner
Originalanweisungen
Αρχικές οδηγίες
Instrucciones originales
Originaaljuhend
Alkuperäiset ohjeet

Instructions d'origine
Originalne upute
Eredeti útmutatás
Istruzioni originali
Originalios instrukcijos

Lietošanas pamācība
Originale instructies
Originale instruksjoner
Oryginalne instrukcje
Instruções originais
Instruccjuni inițiale
Оригинальные инструкции
Põvodné pokyny
Izvirna navodila
Originalna uputstva
Bruksanvisning i original
Orijinal talimatlar
Оригинальні інструкції



FR

1143015-38



2022-10-19