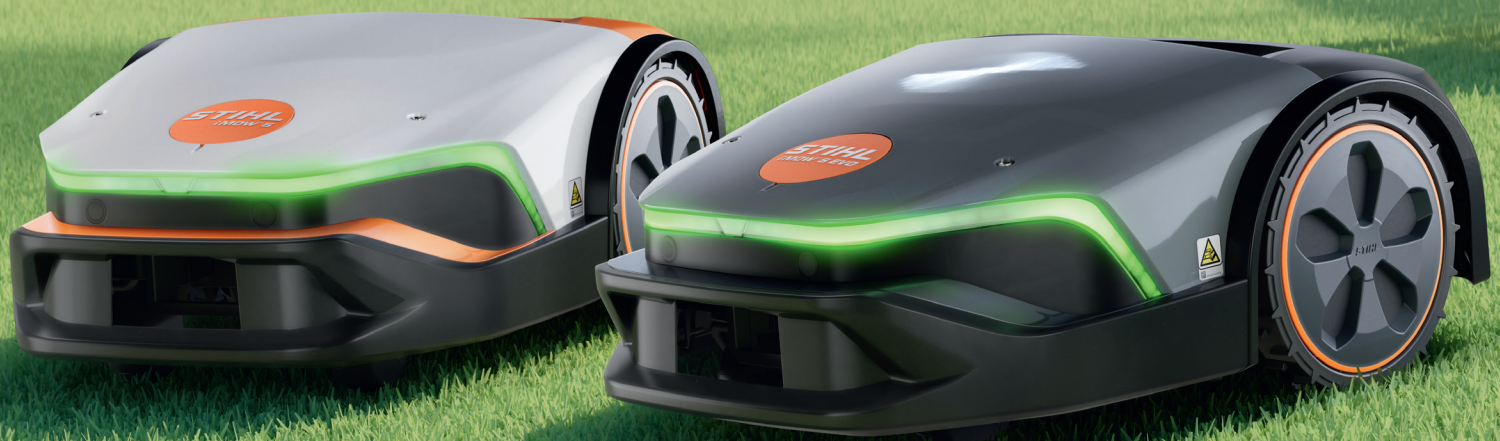


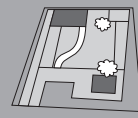
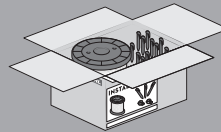
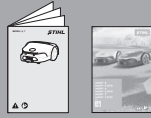
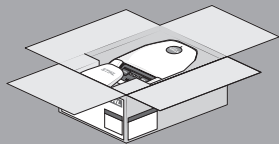
STIHL



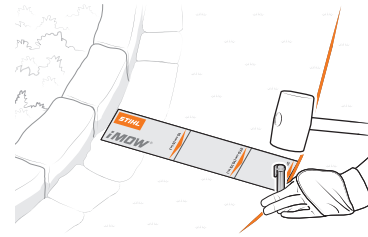
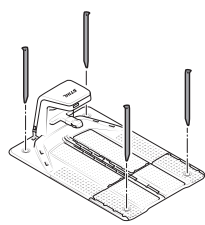
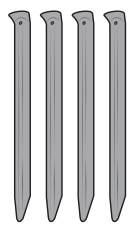
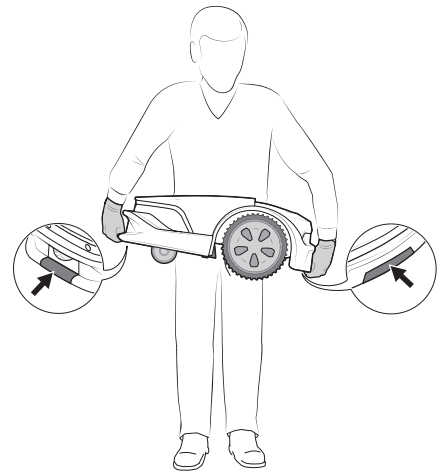
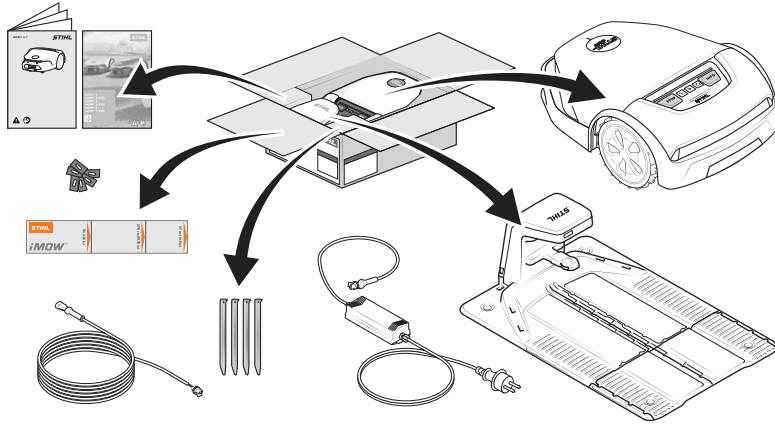
iMOW® 5
iMOW® 5 EVO
iMOW® 6
iMOW® 6 EVO
iMOW® 7
iMOW® 7 EVO
—



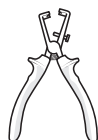
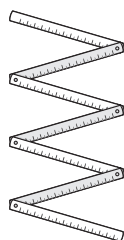
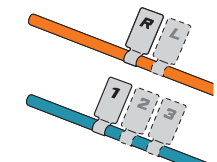
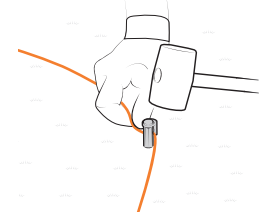
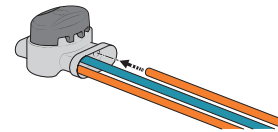
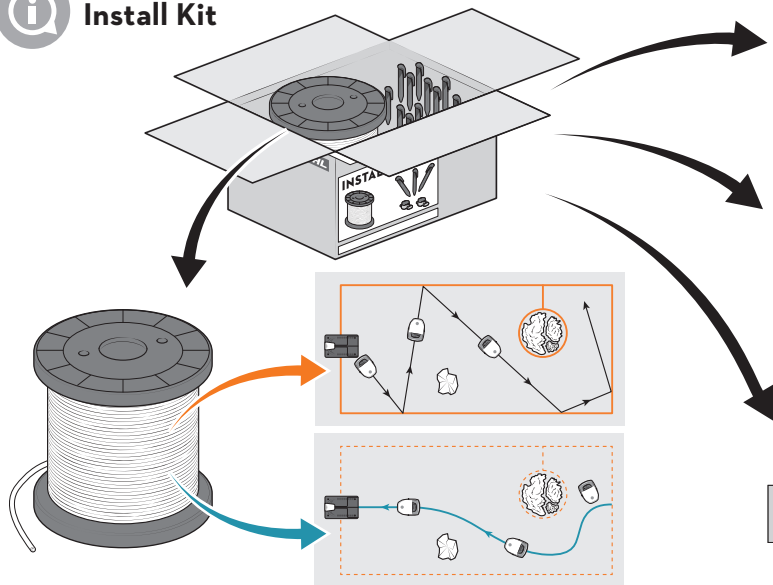
1 ▶

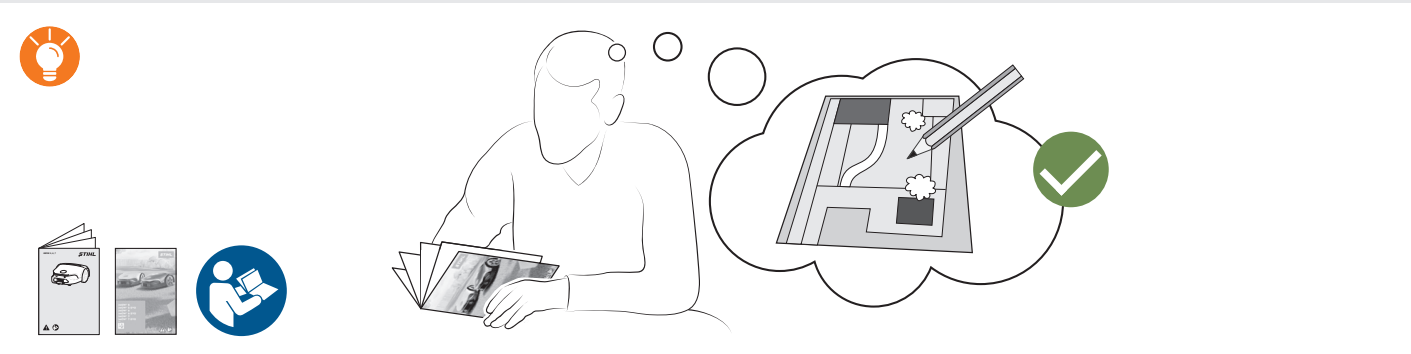
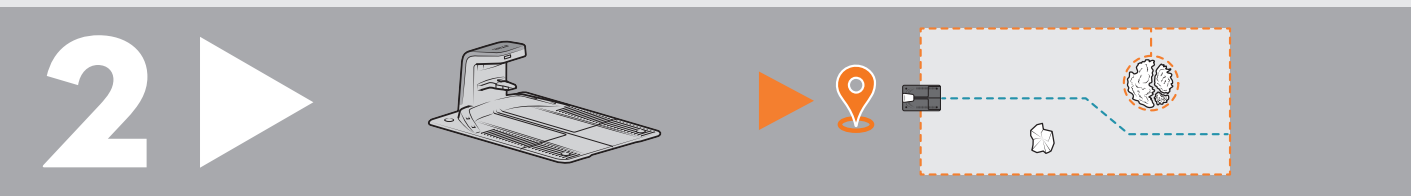
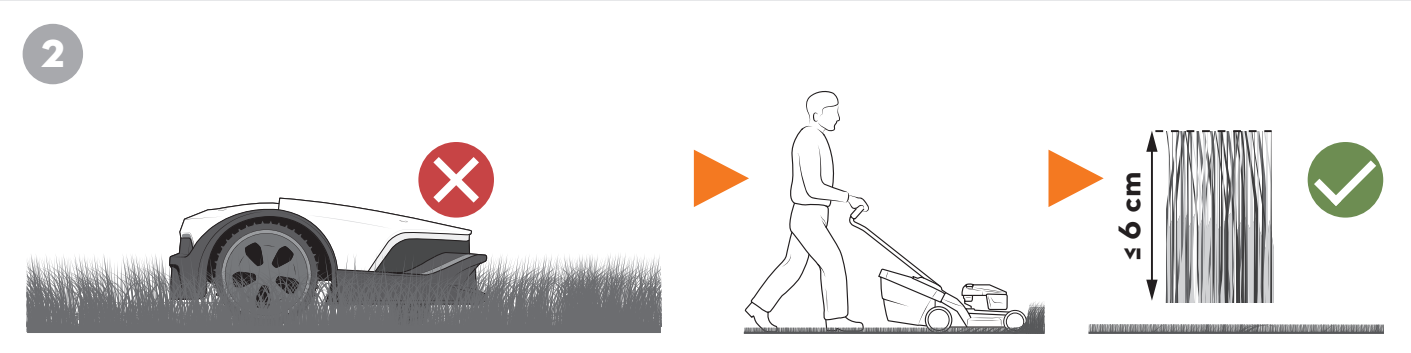
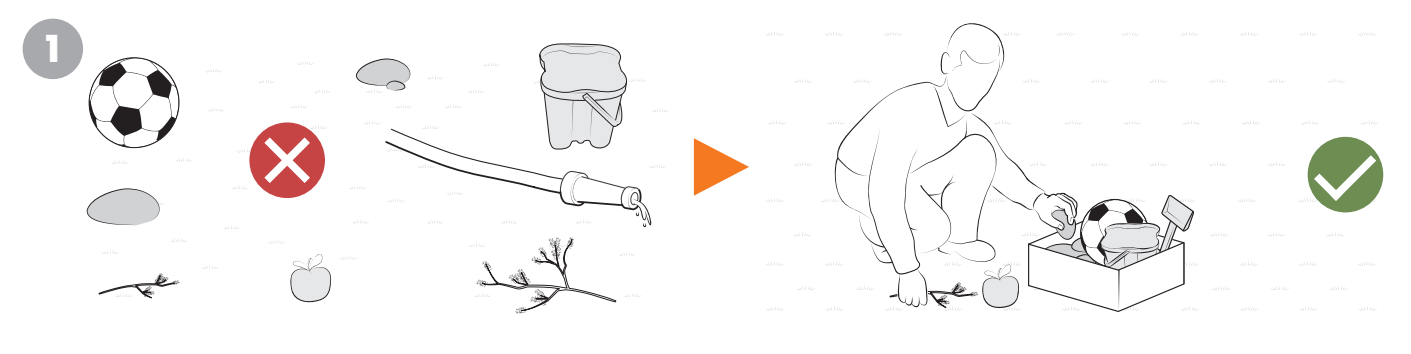


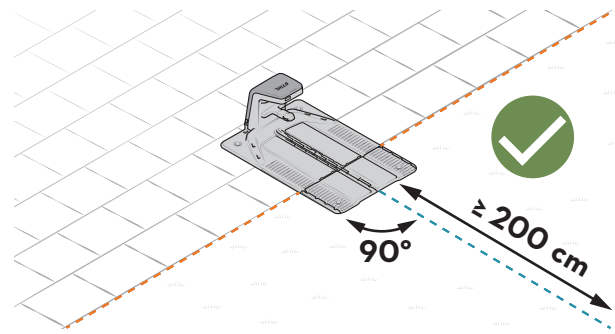
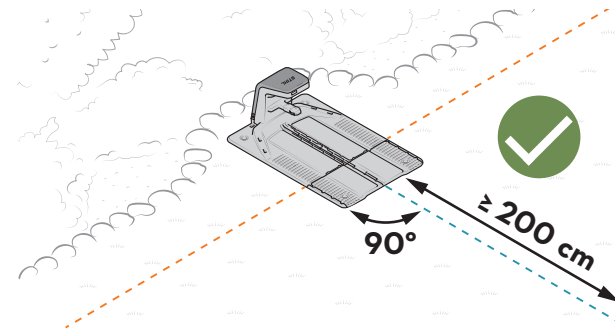
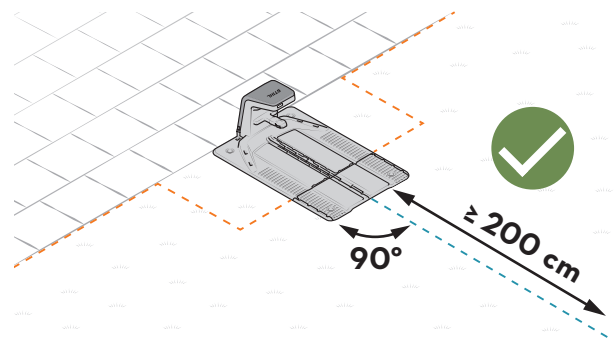
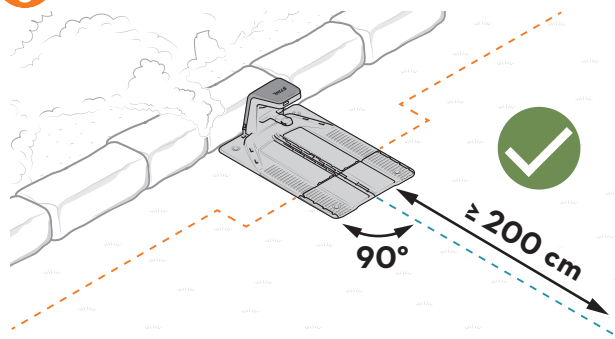
iMOW®



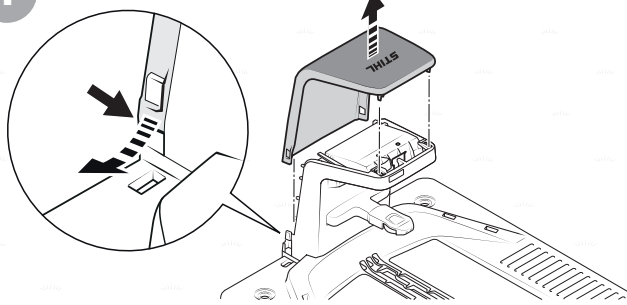
Install Kit



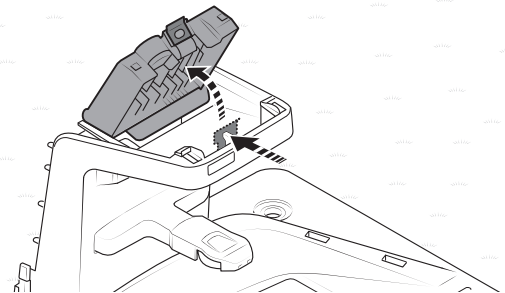




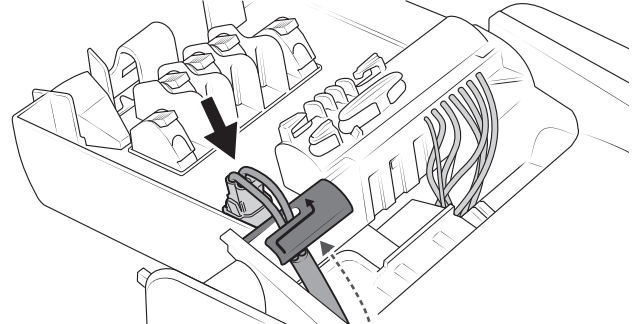
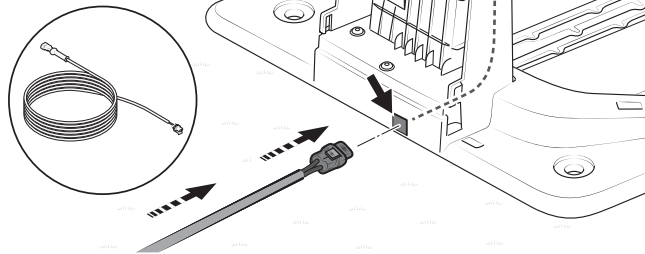
1



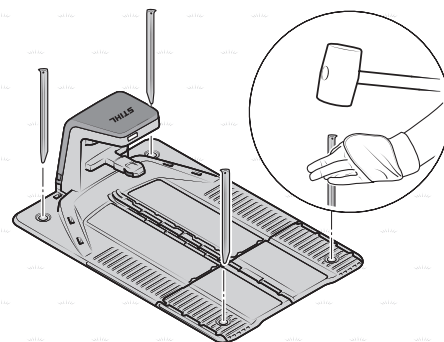
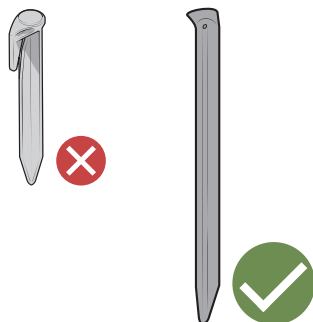
2



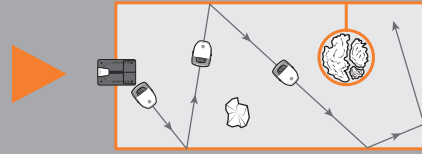
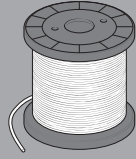
3



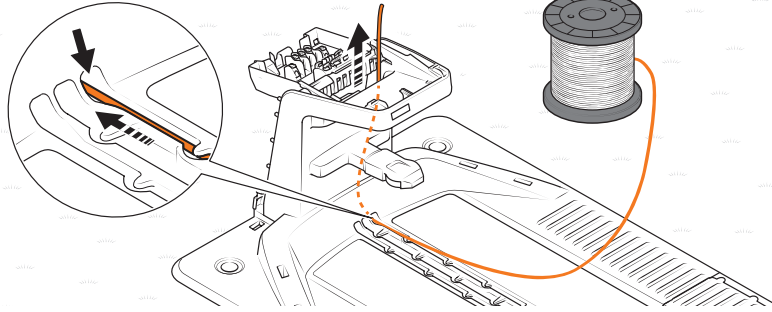
4



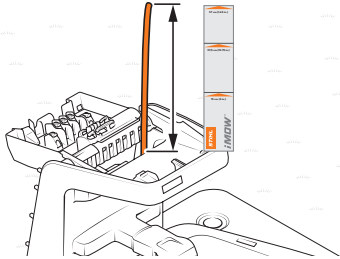
3 ▶



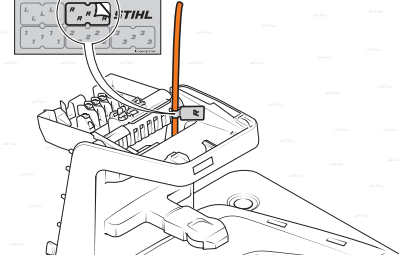
1



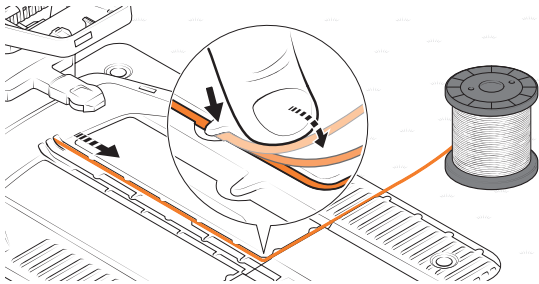
2



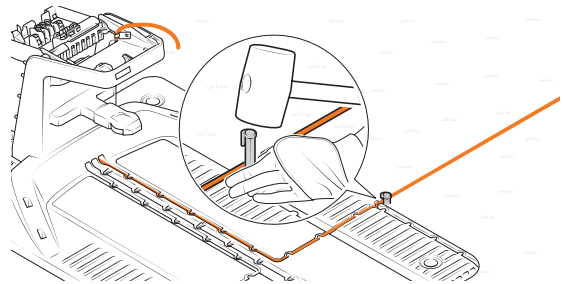
3



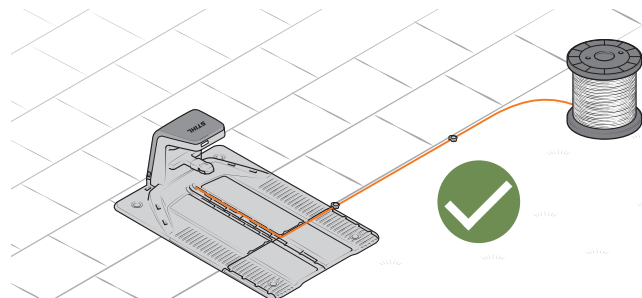
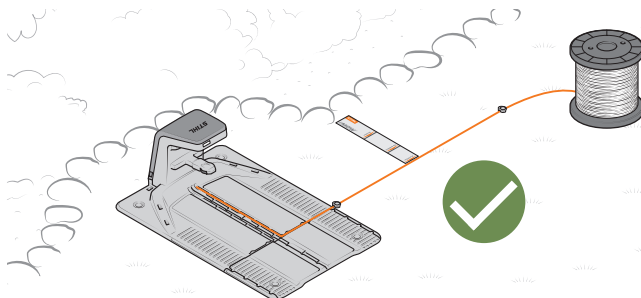
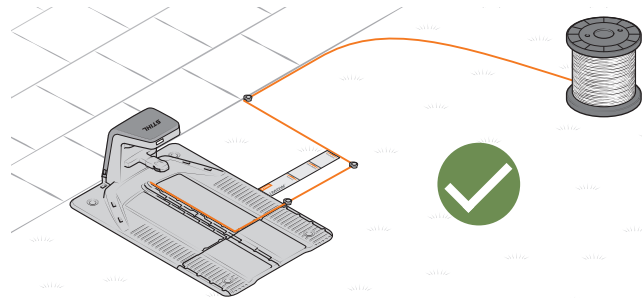
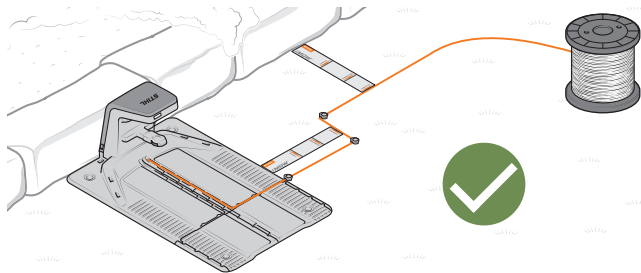
4

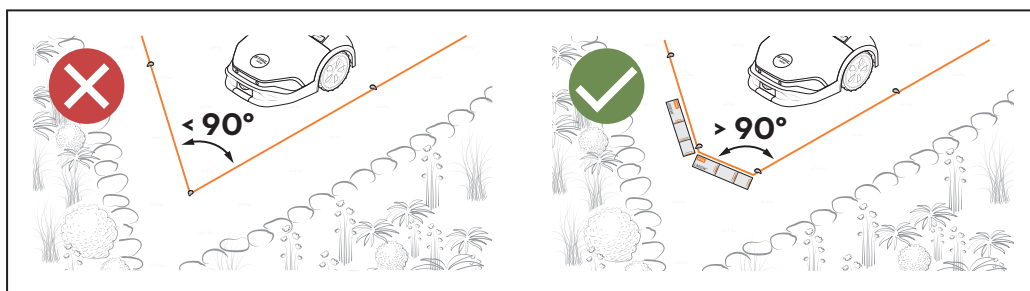
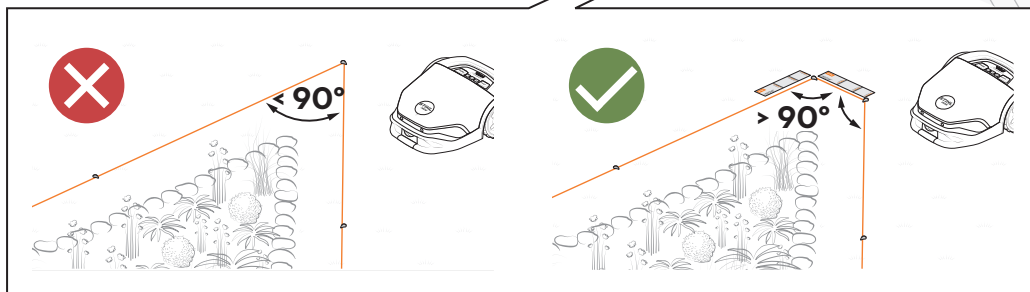
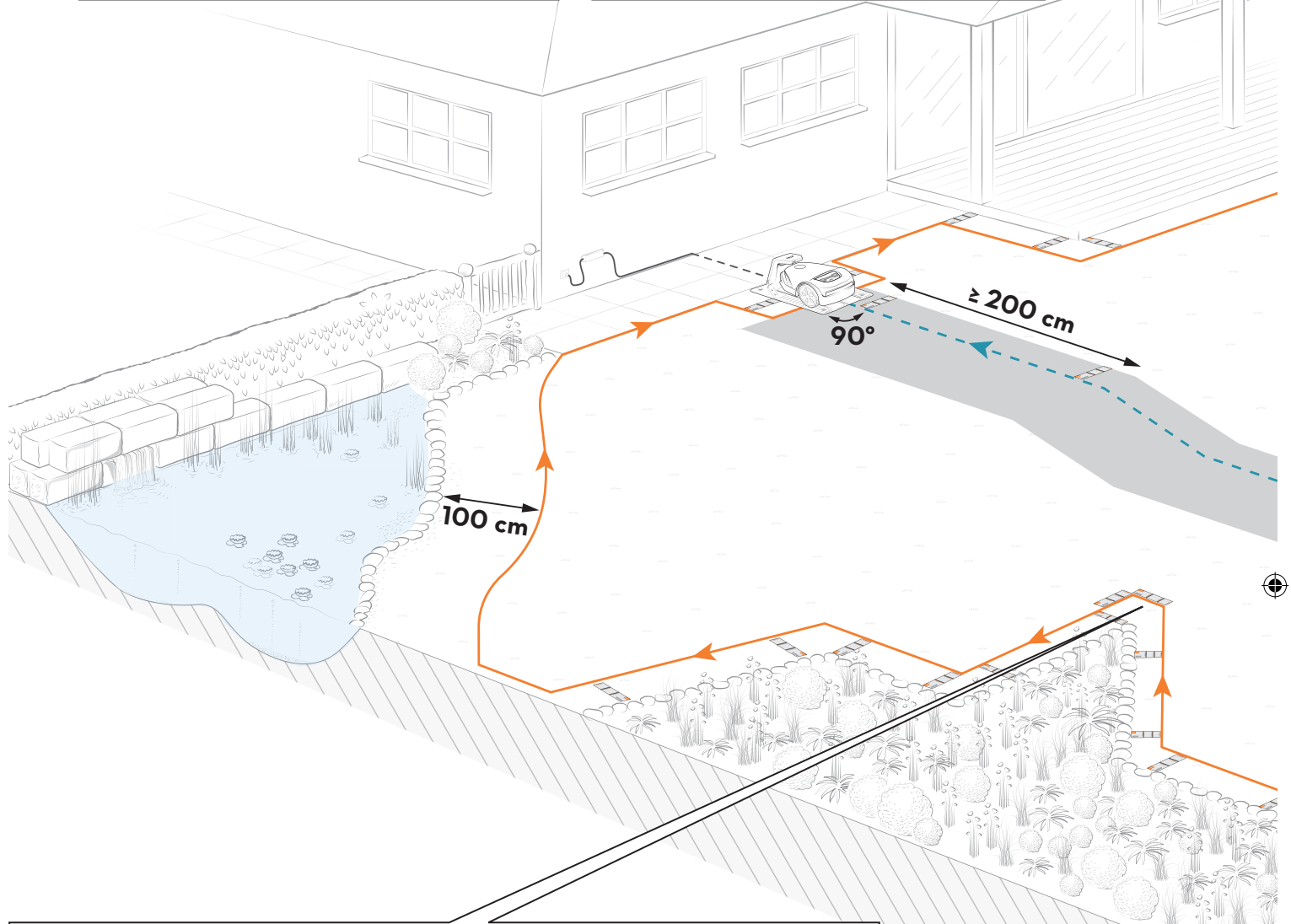
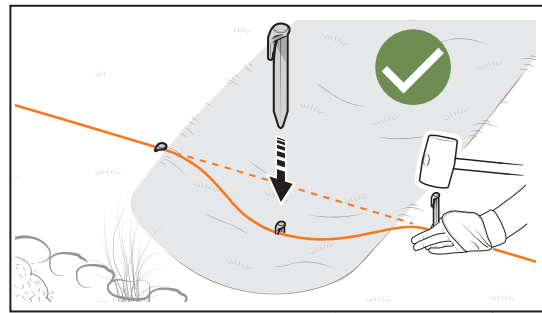
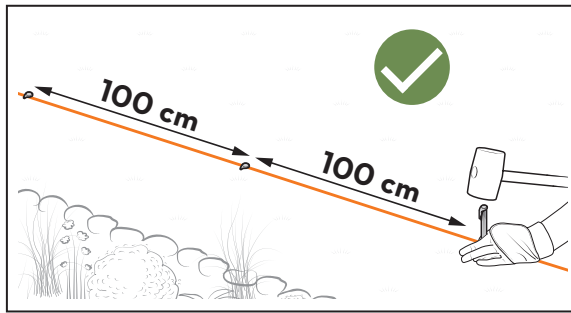


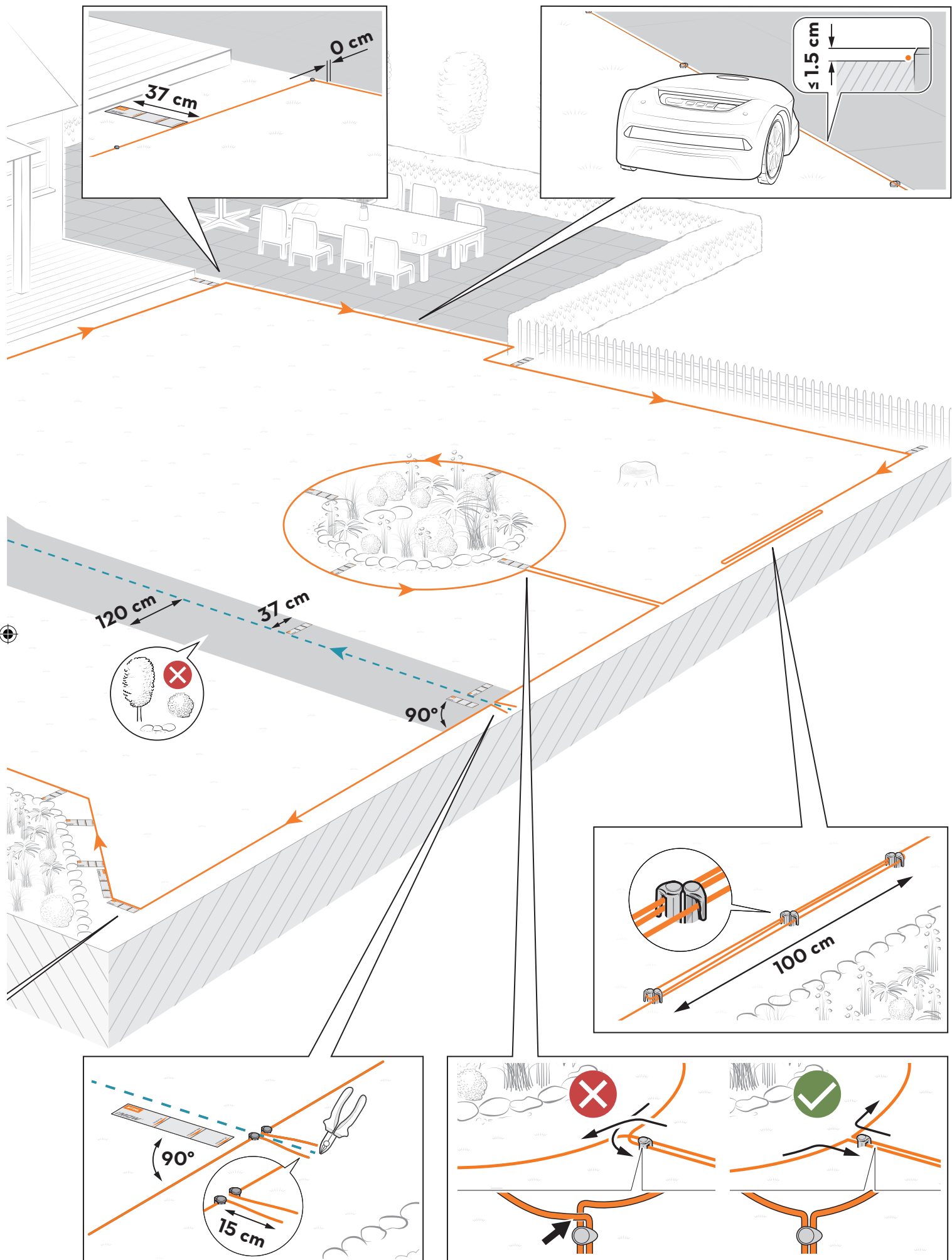
5



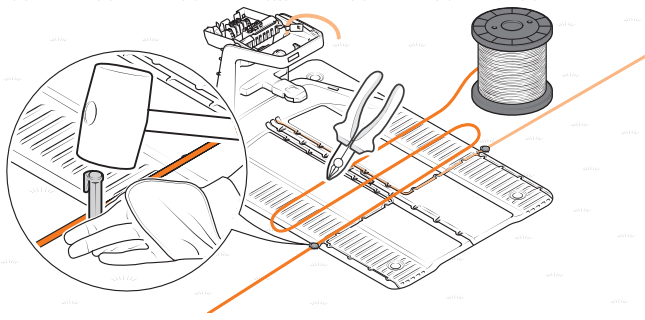
6



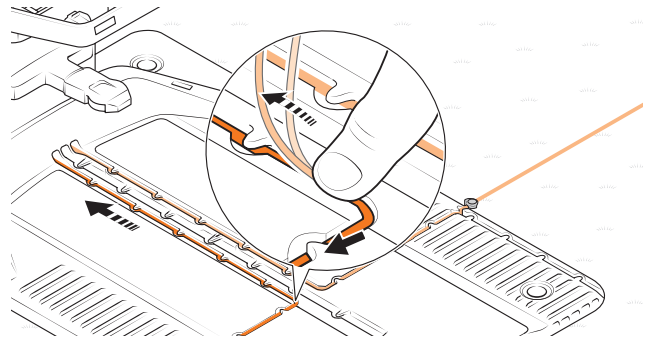




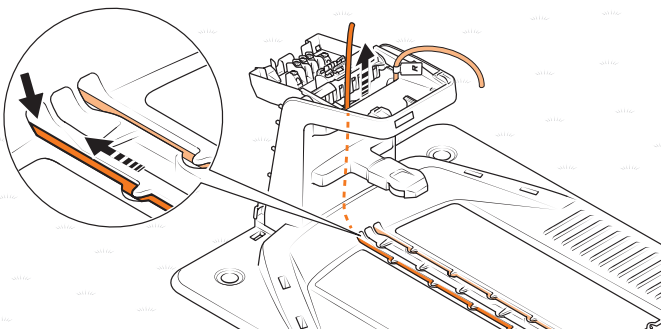
7



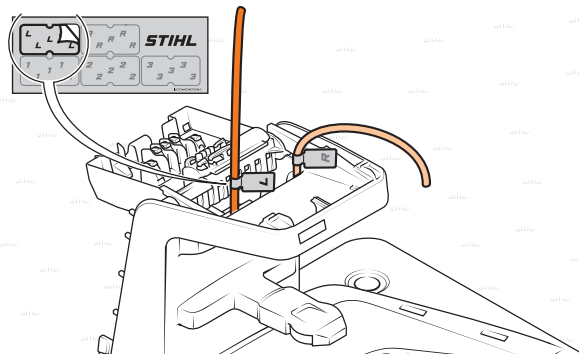
8



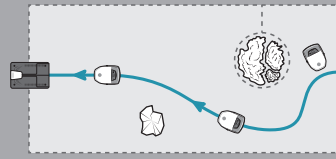
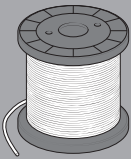
9



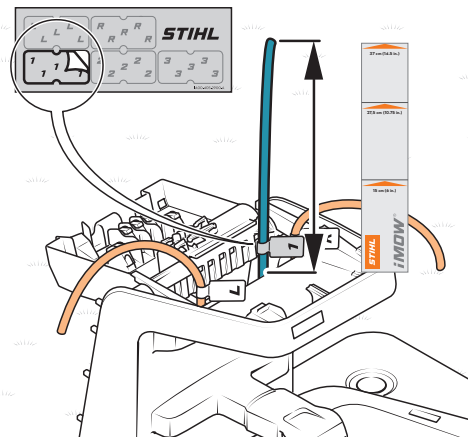
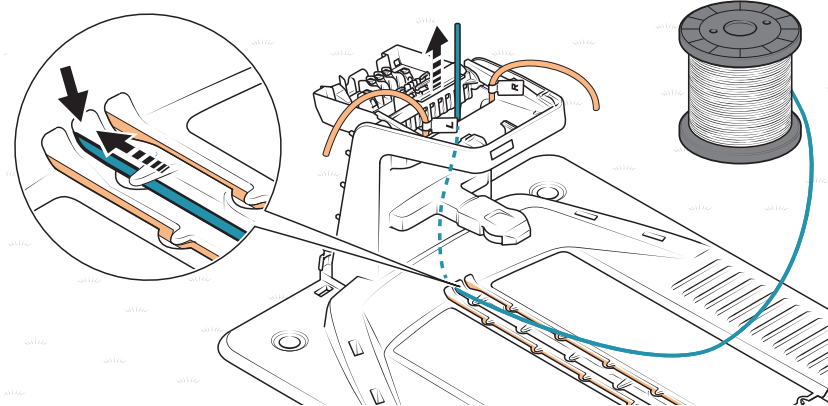
10



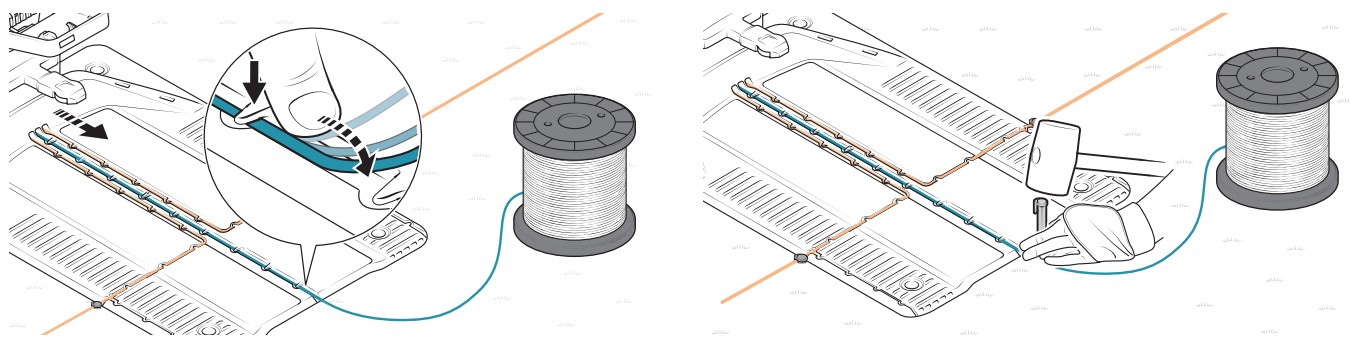
4 ▶



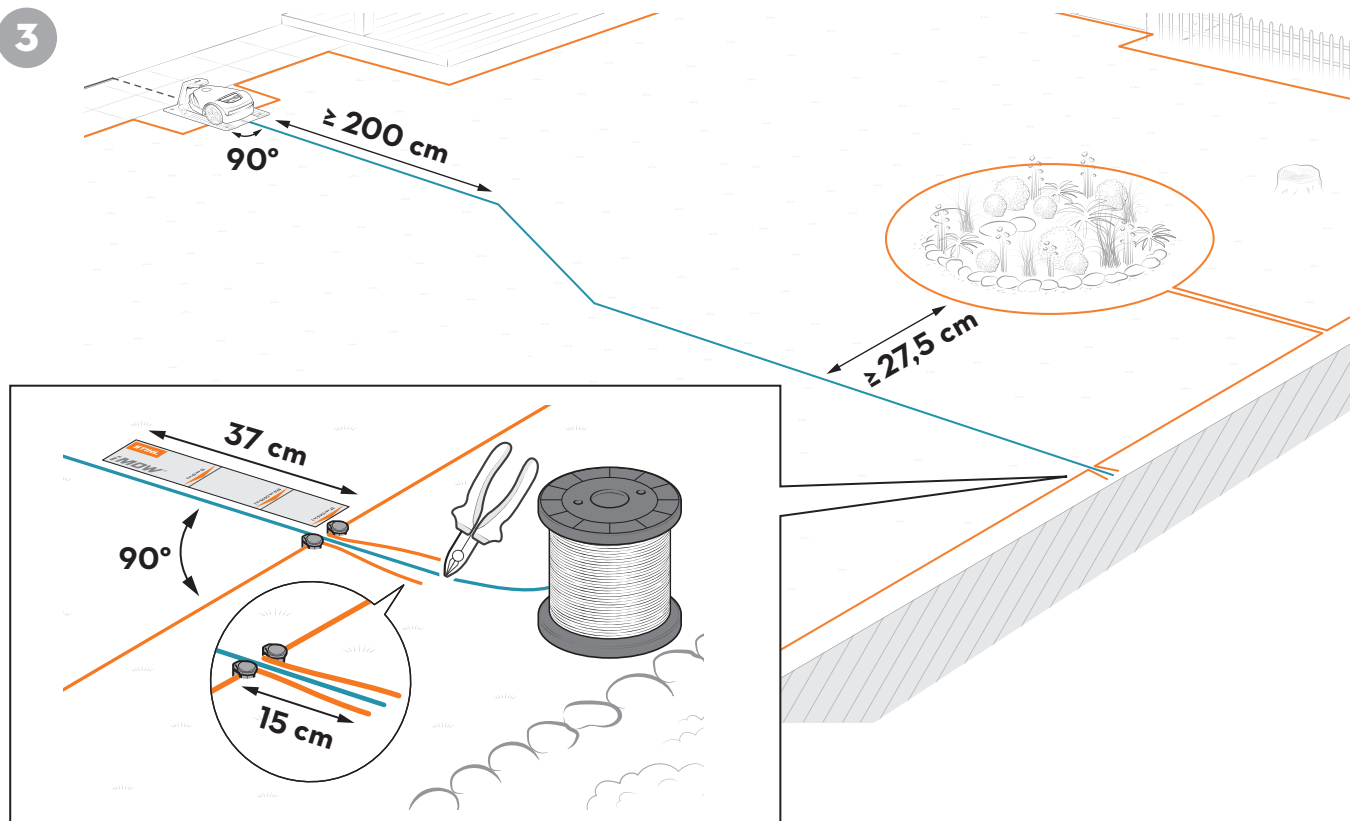
1



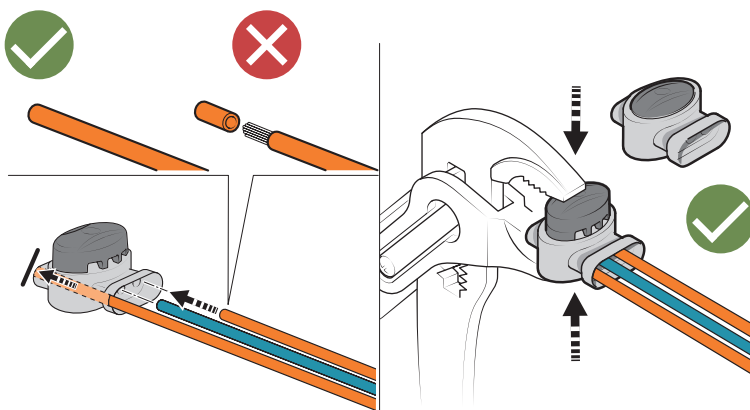
2



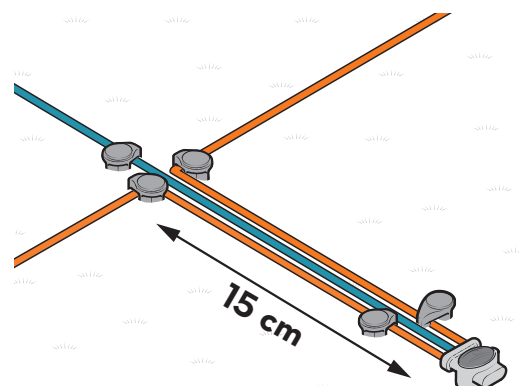
3



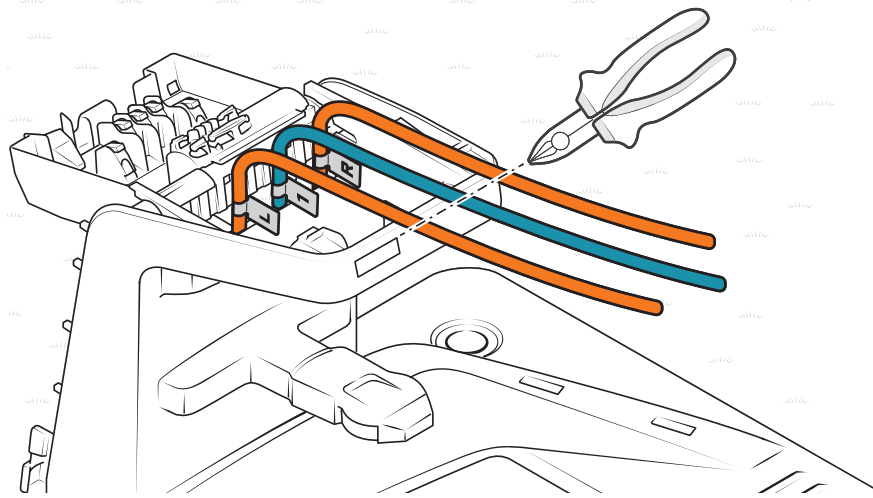
4



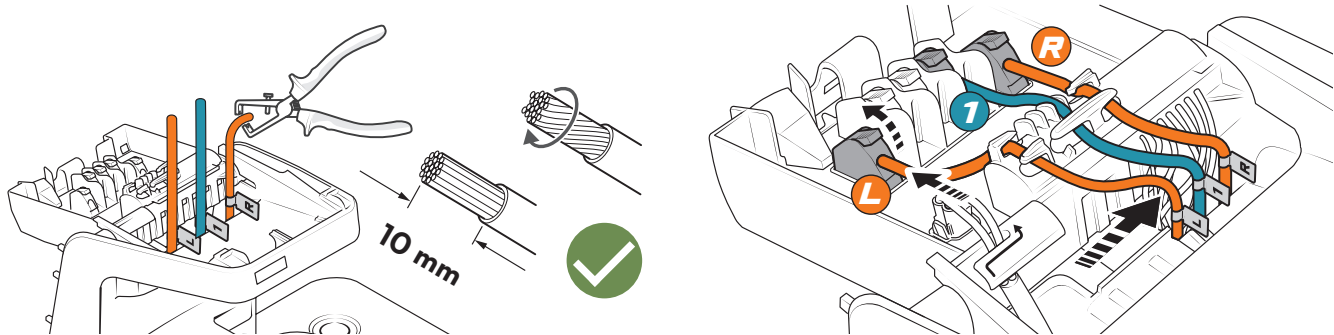
5



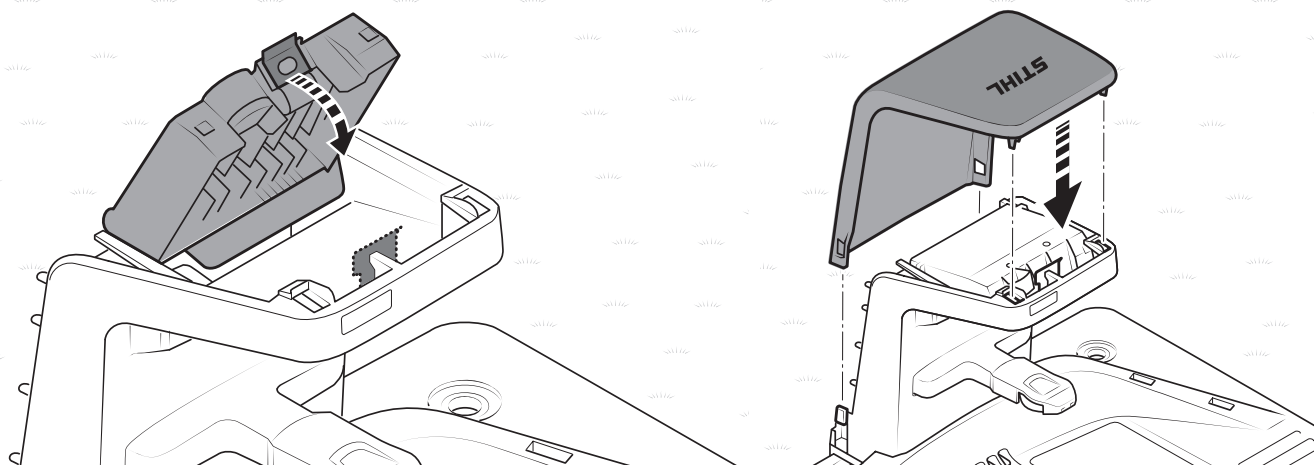
6



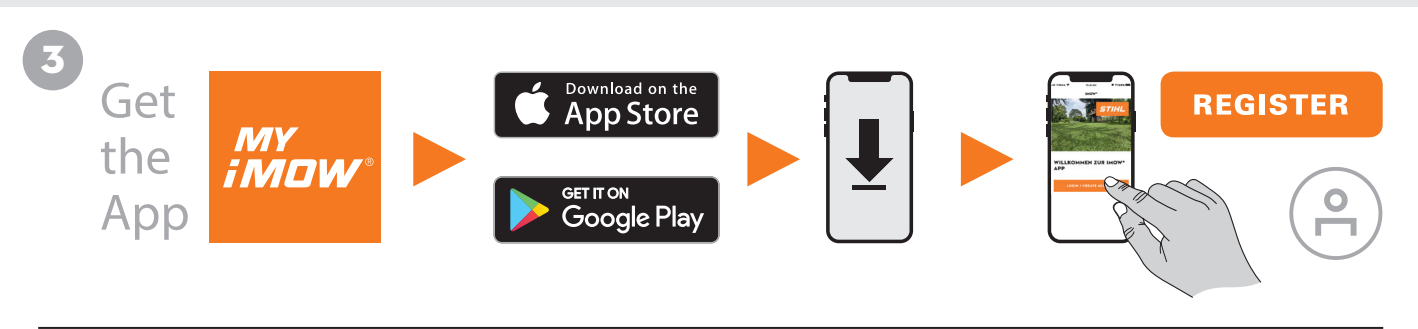
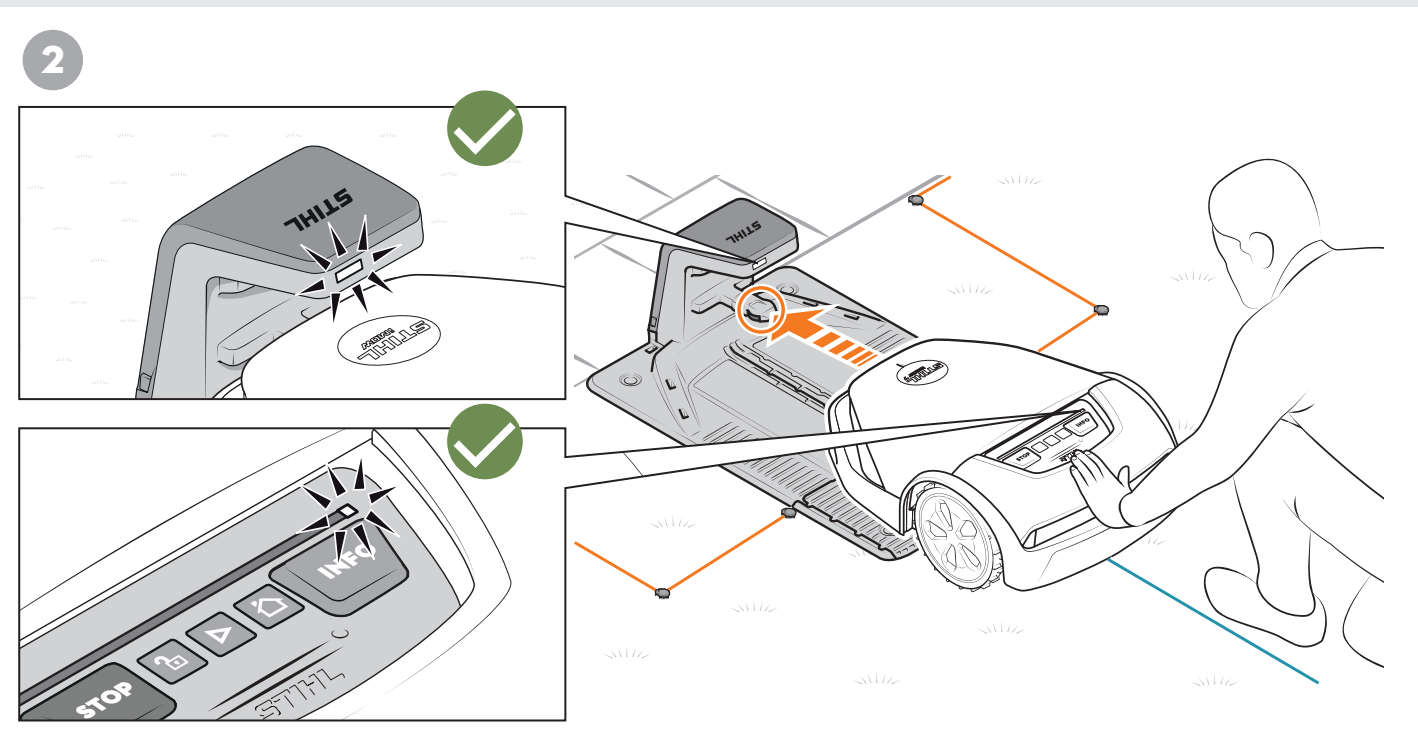
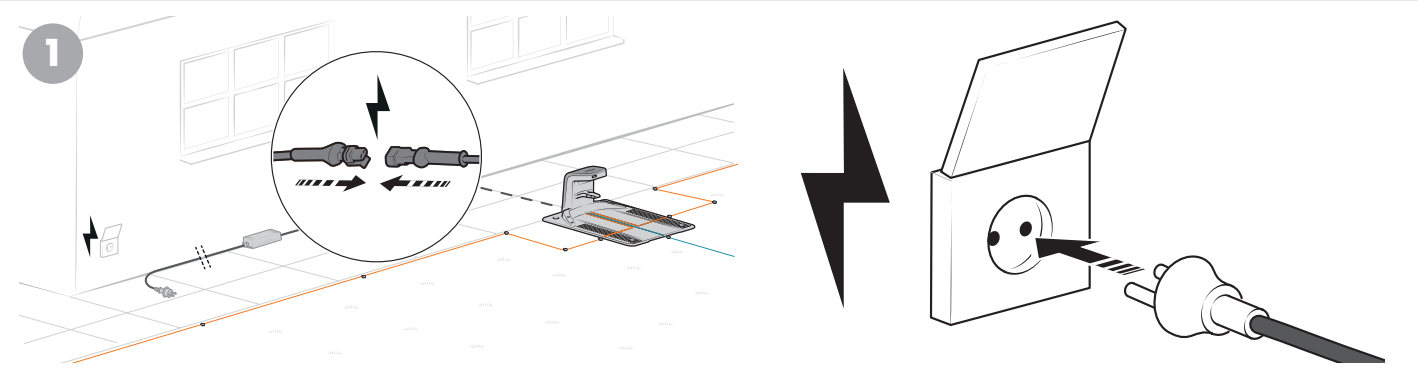
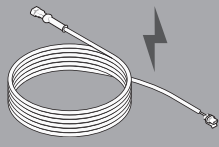
7



8



5





© ANDREAS STIHL AG & Co. KG
0457 374 0000 A K22

Apple and the Apple logo are trademarks of Apple Inc.,
registered in the U.S. and other countries.
App Store is a service mark of Apple Inc. Google Play and
the Google Play logo are trademarks of Google Inc.



WWW.STIHL.COM