



ELECTRIC WINCH

S8000 S9500

S12000 S14500

S9500SD

S9500HS

Assembly & Operating Instructions

CONTENTS

INTRODUCTION.....	1
GETTING TO KNOW YOUR WINCH	1
WINCH ASSEMBLY AND MOUNTING	3
SAFETY PRECAUTIONS.....	5
GENERAL TIPS FOR SAFE OPERATION	6
RIGGING TECHNIQUES	7
WINCHING TECHNIQUES A-Z	8
MAINTENANCE.....	9
REPLACING THE WIRE ROPE.....	10
TROUBLE SHOOTING	10
WINCH ASSEMBLY DRAWING (S8000)	11
WINCH PARTS LIST (S8000)	12
WINCH ASSEMBLY DRAWING (S9500)	13
WINCH PARTS LIST (S9500)	14
WINCH ASSEMBLY DRAWING (S12000)	15
WINCH PARTS LIST (S12000)	16
WINCH ASSEMBLY DRAWING (S14500)	17
WINCH PARTS LIST (S14500)	18
WINCH ASSEMBLY DRAWING (S9500SD)	19
WINCH PARTS LIST (S9500SD)	20
WINCH ASSEMBLY DRAWING (S9500HS)	21
WINCH PARTS LIST (S9500HS)	22
SPECIFICATION (S8000)	23
SPECIFICATION (S9500)	24
SPECIFICATION (S12000)	25
SPECIFICATION (S14500)	26
SPECIFICATION (S9500SD)	27
SPECIFICATION (S9500HS)	28
WARRANTY.....	29

INTRODUCTION

Congratulations on your purchase of a winch. We design and build winches to strict specifications and with proper use and maintenance your winch should bring you years of satisfying service.

⚠ WARNING - Read, understand and follow all instructions before operating this device. Failure to read these instructions may result in personal injury and/or damage to equipment or vehicles.

Your winch can develop tremendous pulling forces and if used unsafely or improperly could result in property damage, serious injury or death. Throughout this manual, you will find the following symbols for caution, warning and danger. Pay particular attention to the notes preceded by these symbols as they are written for your safety. Ultimately, safe operation of this device rests with you, the operator.



Indicates a potentially hazardous situation which, if not avoided, may result in minor or moderate injury. This notation is also used to alert against unsafe practices.



Indicates a potentially hazardous situation which, if not avoided could result in death or serious injury.

GETTING TO KNOW YOUR WINCH

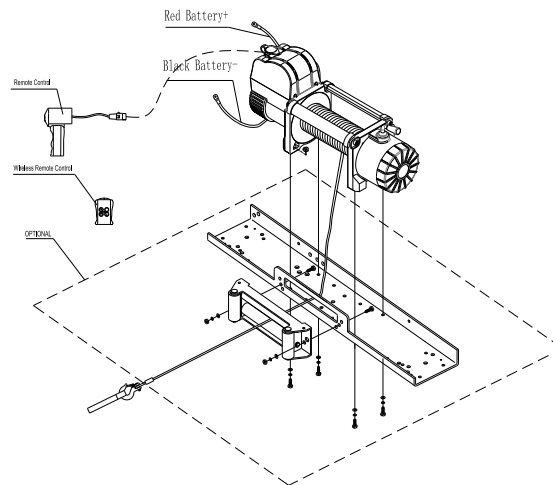
Your winch is a powerful piece of machinery. It is important that you understand the basics of its operation and specifications so that when you need to use it, you can use it with confidence and safety. Below is a list of the components of your winch and their uses. Practice using your winch before you are in a situation to need to use it.

1. This winch is engineered for maximum line pull with only one layer of cable spooled onto the winch drum (the first layer).
2. Motor: The motor is powered by a 12/24-volt battery and provides power to the gear assembly which turns the drum and winds the wire rope in a direction.

3. Winch Drum: The winch drum is the cylinder on which the wire rope is stored. It can be spooled In or Out by use of the remote lead switch.
4. Wire Rope: Your winch has a galvanized aircraft cable designed specifically for load capacity of the rated line pull of this winch. The wire rope feeds on from underneath the drum position through the supplied roller fairlead, it is looped at the end to accept the clevis hook.
5. Roller Fairlead: When using the winch at an angle the roller fairlead acts to guide the wire rope onto the drum and minimizes damage to the wire rope from abrasion on the winch mount or drum flanges.
6. Gear Assembly System: The reduction gears convert the winch motor power into extreme pulling forces.
7. External Braking System: Braking action is automatically applied to the winch when the winch motor is stopped or there is a load on the wire rope. This is achieved by a separate external mechanical brake which applies the braking action. (Brakes are NOT designed as securing devices and the winch cables should never be left attached when vehicle / equipment is in transport).
8. Free Spooling Clutch: The clutch allows the operator to manually disengage ("CLUTCH OUT") the spooling drum from the gear train. This called free spool. Engaging the clutch ("CLUTCH IN") locks the winch into the gear system.
9. Solenoid: Power from the vehicle battery flows through the weatherproof switch before being directed to the winch motor.
10. Wired Remote lead Switch: The remote switch leads have a dual switch for powering in or powering out your winch drum. The remote control allows you to stand clear of the wire rope when the winch is under load.
11. Wireless remote: This is designed and offered for 'Offroad' or 'None Commercial' use only and is not included in any warranty offered, This allows the operator to always control the winch from up to 50 Ft away.
12. Universal Flat Bed Mounting Channel: (Optional) Your winch could have been optionally supplied with a flat bed mounting channel that can be mounted to most flat surfaces such as trailers, truck beds and structures etc. The mounting channel also has a number of mounting holes and holes to accept your roller fairlead.

13. Pulley/Snatch Block: (Optional) If your winch is supplied with a snatch block which can double the pulling power of the winch, or change the pulling direction without damaging the wire rope. We recommend you to use a double line and snatch block for pulling over 70% of the rated line pull.

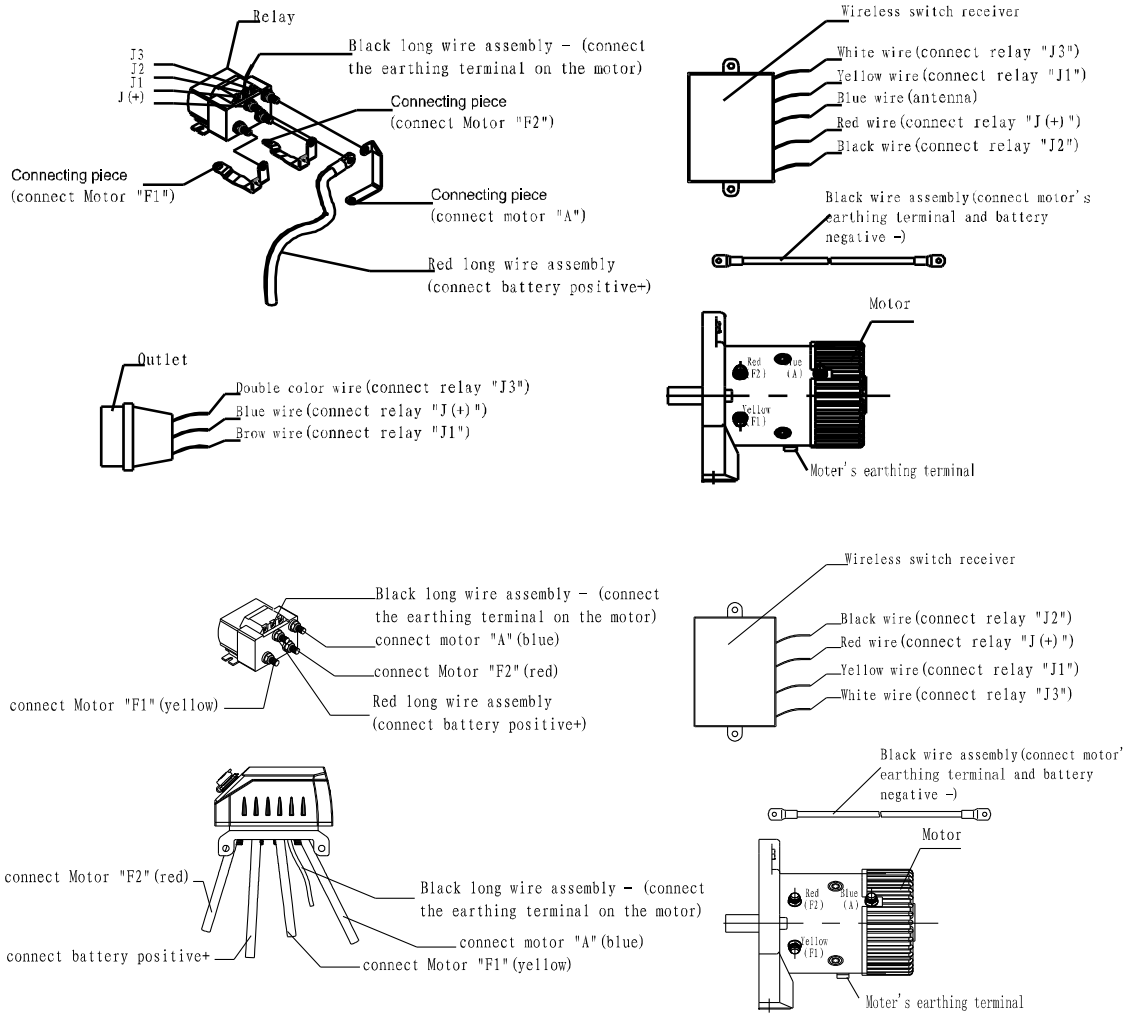
WINCH ASSEMBLY AND MOUNTING



1. Your winch is designed with a bolt pattern that is standard in this class of winch. Many winch mounting kits are available that utilize this bolt pattern for the most popular vehicle and mounting channels. If you cannot find a kit locally, contact us and we will provide you with the name of a dealer near you. If you utilize the mounting channel you must ensure that it is mounted on a flat surface so that the three major sections (motor, drum and gear housing) are properly aligned. Proper alignment of the winch will allow even distribution of the full rated load and reduce the chance of damaging winch or equipment.
2. Start by connecting the Roller Fairlead to the Mounting Channel using 2 each of the Cap Bolt M10 X 35, Flat Washer, Lock Washer and securing with M10 Nut (Make sure the bolt is placed through the mounting channel and roller fairlead from inside the channel. This will allow enough clearance for the winch to be placed in the channel without obstruction.)
3. Assemble the winch to the Mounting Channel by first pulling and releasing the clutch knob to "Off" position (Free Spooling). Pull out a few inches of cable from the drum and feed the wire loop through the opening in the front of the mounting channel and roller fairlead. Now, using the remaining M10 x 35 Cap

Bolts, Flat Washer, Lock Washer and M10 Nut secure the winch to the mounting channel.

4. Connect the battery and motor leads as the drawing above. Remember every type of winch is different.
5. Connect the winch motor leads as detailed below:



⚠ CAUTION – Batteries contain gases which are flammable and explosive. Wear eye protection during installation and remove all jewelry. Do not lean over battery while making connections.

6. Assemble the Clevis Hook to the cable. Take off the pin from the Clevis Hook, connect the Clevis Hook to the cable and mount the pin back to the Clevis Hook.

7. Always use the Hand Saver (Optional) when free-spooling and re-spooling the wire rope. Using the Hand Saver keeps your hands and fingers away from the rotating drum.
8. Check for proper drum rotation. Pull or turn the clutch knob to the “OUT” “Disengage” position (Free-spooling). Pull out some cable from the drum, and then turn the clutch knob to the “IN” “Engage” position to engage the gears. Press the cable out button on the remote lead switch. If the drum is turning and releasing cable, then your connections are accurate. If the drum is turning and collecting more cable, then reverse the leads on the motor. Repeat and check rotation.

SAFETY PRECAUTIONS

⚠ WARNING ⚠

- ⚠ WARNING – DO NOT EXCEED RATED CAPACITY.**
- ⚠ WARNING – Intermittent use only.**
- ⚠ WARNING – DO NOT use winch for lifting or moving people or animals**
- ⚠ WARNING - A minimum of five wraps of cable around the drum barrel is necessary for pulling and holding the rated load. The cable clamp is not designed to hold the load without the 5 wraps of cable around the drum.**
- ⚠ WARNING - Keep yourself and others a safe distance to the side of the cable when under tension.**
- ⚠ WARNING – The wire rope may break before the motor stalls. For heavy loads at or near rated capacity, use a pulley block/snatch block to reduce the load on the wire rope.**
- ⚠ WARNING -Never stand or step over a cable, or near a cable under load using a winch blanket or sail is recommended.**
- ⚠ WARNING - Don't move the vehicle to pull a load (towing) on the winch cable. This could result in cable breakage.**
- ⚠ WARNING-Disconnect the remote control and battery leads when not in use.**
- ⚠ WARNING- Do not exceed maximum pull rating. Avoid “shock loading” by using the remote lead switch intermittently to take up the slack in the**

wire rope. “Shock loading” can far exceed the rated capacity for the wire rope and drum and will result in damaging winch and brake.

⚠ WARNING- DONOT use you winch as securing device it is not designed for this and will result in damaging winch and brake.

⚠ WARNING- Do not exceeds maximum line pull ratings shown on the tables.

⚠ WARNING-When re-spooling the cable, ensure that the cable spools in the under-wind position with the cable entering the drum from the bottom, not the top. To re-spool correctly, and while wearing gloves, keep a slight load on the cable while pushing the remote control button to draw in the cable. Walk toward the winch NOT allowing the winch cable to slide through your hands. DO NOT let your hands get within 12”(30cm) of the winch while re-spooling. Turn off the winch and repeat the procedure until a few feet of cable is left. Disconnect the remote control and finish spooling by hand by rotating the drum manually with the clutch disengaged. Keep hands clear of the fairlead and drum while the winch is under power.

⚠ Do not use as a hoist. Do not use for overhead lifting.

⚠ Failure to heed these warnings may result in personal injury and/or property damage.


⚠ WARNING - Use gloves to protect hands when handling the cable. Never let the cable slide through your hands.

⚠ WARNING – Never connect the cable back to itself.

Apply blocks to the wheels of the vehicle when on an incline.

No modifications, alterations, or deviation to the winch are authorized by the manufacturer and MUST not be made.

Duration of winching pulls should be kept as short as possible. If the motor becomes uncomfortably hot to the touch, stop winching immediately and let it cool down for a few minutes. Do not winch for more than two minutes at or near the maximum rated load without resting for 8 minutes.

 **CAUTION** - If the motor stalls DO NOT maintain winching. Electric winches are designed and made for intermittent use and should be used in conjunction with their duty cycles.

 **CAUTION** - Never release the free-spool clutch when there is a load on the winch as the load will roll backwards.

 **CAUTION** - Use hand saver hook when handling the hook for spooling or un-spooling the wire rope.

GENERAL TIPS FOR SAFE OPERATION

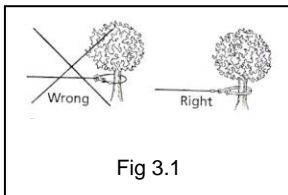
- The winch and its all-derivative types are rated at rated capacity when spooling the first rope layer on the drum. Overloading can damage the winch / motor / or wire rope. For loads over 70% of rated line pull, we recommend the use of the pulley block / snatch block to double the wire rope line and reduce the strain. This will aid in two ways: It will reduce the number of rope layers on the drum and reduce the load on the wire rope by as much as 50%. When doubling the line back to the vehicle, attach to the frame or other load bearing part.
- The vehicle engine should be kept running during operation of the winch to minimize battery drain and maximize power and speed of the winch. If the winch is used for a considerable time with the engine switched off the battery may be drained and too weak to restart the engine
- Get to know your winch before you need to use it. We recommend that you set up a few test runs to familiarize yourself with rigging techniques; the sounds your winch makes under various loads and the way the cable spools on the drum, etc.
- Inspect the wire rope and equipment before each use. A frayed or damaged rope must be replaced immediately. Use only manufacturer's identical replacement rope with the exact specifications. (Ropes are not covered by any warranty offered)
- Inspect the winch installation and bolts to ensure that all bolts are tight before each operation.
- Never connect the winch cable back to itself. This will cause cable to damage. Always use a snatch block, sling or chain of suitable strength as shown in the illustrations.
- Store the remote control lead inside your vehicle in a safe place.
- Any winch that appears to be damaged in any way, is found to be worn, or operates abnormally **MUST BE REMOVED FROM**

SERVICE UNTIL REPAIRED OR REPLACED. It is recommended that the necessary repairs be made by a manufacturer's authorized repair facility **ONLY**.

- Pull only on areas of the vehicle as specified by the vehicle manufacturer.
- Only accessories, attachments and/or adapters supplied by the manufacturer shall be used.

RIGGING TECHNIQUES

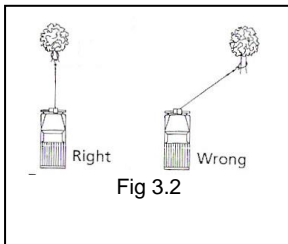
Self Recovery



Locate a suitable anchor such as a strong tree trunk or boulder.

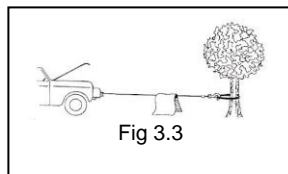
Always use a sling as an anchor point. **⚠ CAUTION** Do not attach the clevis hook back onto the cable as this could cause damage to the cable.

As shown in Fig 3.1

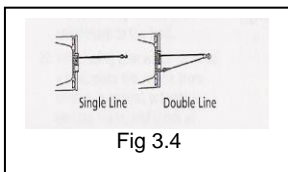


⚠ Do not winch from an acute angle as the wire rope will pile up on one side of the drum causing damage to wire rope and the winch. Fig 3.2

Short pulls from an angle can be used to straighten the vehicle. Long pulls should be done with the wire rope at a 90° angle to the winch/vehicle.

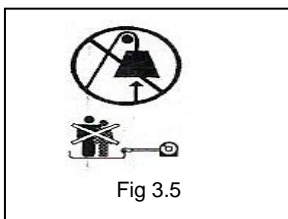


When pulling a heavy load, place a blanket or jacket over the wire rope five or six feet from the hook because in the event of a broken cable it will dampen the snap back. For additional protection open the hood/bonnet of the vehicle as shown in Fig 3.3



For pulls over 6800lbs, we recommend the use of the snatch block/pulley block to double line the wire rope. Fig 3.4

This reduces the load on the winch and the strain on the rope by approximately 50%.



⚠ WARNING - Never use your winch for overhead hoisting or for lifting people or moving people.

WINCHING TECHNIQUES A-Z

- Take time to assess your situation and plan your pull.
- Put on gloves to protect your hands.

- c. Disengage the clutch where possible to allow free-spooling and also save battery power.
- d. Attach the hand saver hook to the clevis hook.
- e. Pull out the wire rope to your desired anchor point safely.
- f. Secure the clevis hook to the anchor point: Sling, chain or snatch block. Do not attach the hook back onto the wire rope.
- g. Engage the clutch.
- h. Connect the remote control lead to the winch.
- i. Start your engine to ensure power is being replenished to the vehicle battery.
- j. Power in the wire rope guiding the wire under tension to draw up the slack in the wire. Once the wire is under tension stand well clear. Never stand or step over the wire rope under tension.
- k. Double check your anchors and make sure all connections are secure.
- l. Inspect the wire rope. Make sure there are at least 5 wraps of wire rope around the winch drum.
- m. Drape a blanket or sail (Sold separately) over the wire rope approximately 5 to 6 feet from the hook. Open the hood/bonnet for added protection.
- n. Clear the area. Make sure all people, spectators are well back and that no one is directly in front or behind the vehicle or anchor point.
- o. Begin winching. Be sure that the wire rope is winding evenly and tightly around the drum. The vehicle that is being winched can be slowly driven to add assistance to the winching process. Avoid shock loading; keep the wire rope under tension.
- p. The vehicle to be winched should be placed in neutral and the emergency brake released. Only release the brake pedal when under full tension. Avoid shock loading to the winch. This can damage the winch, rope and vehicle.
- q. The winch is meant for intermittent use. Under full load with a single line rig do not power in for more than 2 minutes without letting the motor cool down for a few minutes and then resume the winching operation.
- r. The winching operation is complete once the vehicle is on stable ground and or can drive under its own power.
- s. Secure the vehicle. Be sure to set the brakes and place the vehicle in park.

- t. Release the tension on the wire rope. The winch is NOT designed as securing device and should NEVER hold a load whilst in transport, winch cable MUST be released when equipment or vehicle is secure.
- u. Disconnect the wire rope from the anchor and NEVER leave connected.
- v. Rewind the wire rope. Make sure that any wire already on the drum has spooled tightly and neatly. If not, draw out the wire and re-spool from the point where the rope is tight.
- w. Keep your hands clear of the winch drum and fairlead as the wire rope is being drawn in.
- x. Secure the hook and hook strap.
- y. Disconnect the remote control lead and store in a clean, dry place.
- z. Clean and inspect connections and mounting hardware for next winching operation.

MAINTENANCE

1. Periodically check the tightness of mounting bolts and electrical connections. Remove all dirt or corrosion and always keep clean.
2. Do not attempt to disassemble the gear box. Repairs should be done by the manufacturer or an authorized repair center.
3. The gear box has been lubricated using a high temperature lithium grease and is sealed at the factory. No internal lubrication is required.

REPLACING THE WIRE ROPE

1. If the wire rope has become worn or is beginning to show signs of fraying, it must be replaced before being used again. To do this, remove the defective rope by free spooling. Remove the bolt M8x10 on the drum and release the rope.
2. Insert the end of the new rope and secure the M8 x 10 mm bolt tightly.
3. Engage the clutch and re-spool the new rope on the drum keeping tension on the rope as it spools. Ensure that the rope is re-spooling in the under-wind position.

⚠ WARNING - Only replace the wire rope with the identical replacement part recommended by the manufacturer. Steel or synthetic ropes are NOT covered by any warranty offer and are sole responsibility of the owner or user to maintain and replace if necessary.

TROUBLE SHOOTING

SYMPTOM	POSSIBLE CAUSE	SUGGESTED ACTION
Motor does not turn on	-Remote Assembly not connected properly	-Check remote lead and connections.
	-Loose battery cable connections	-Check battery and connections.
	-Defective remote assembly	-Replace remote lead assembly.
	-Defective motor	-Check for voltage at armature port with Switch pressed. If no voltage is present, replace motor.
	-Water has entered motor	-Allow to drain and dry. Run winch until completely dry.
Motor runs but drum does not turn	-Clutch not engaged	-Turn clutch to the "In" position. If problem persists, ask a technician to check and repair.
Motor runs slowly or without normal power	-Insufficient current or voltage	-Operate winch while vehicle motor running.
Motor overheating	-Winch running for too long	-Allow winch to cool down periodically.
Motor runs in one direction only	-Loose or corroded battery cable or motor cable connections.	-Clean and tighten. -Repair or replace switch assembly.

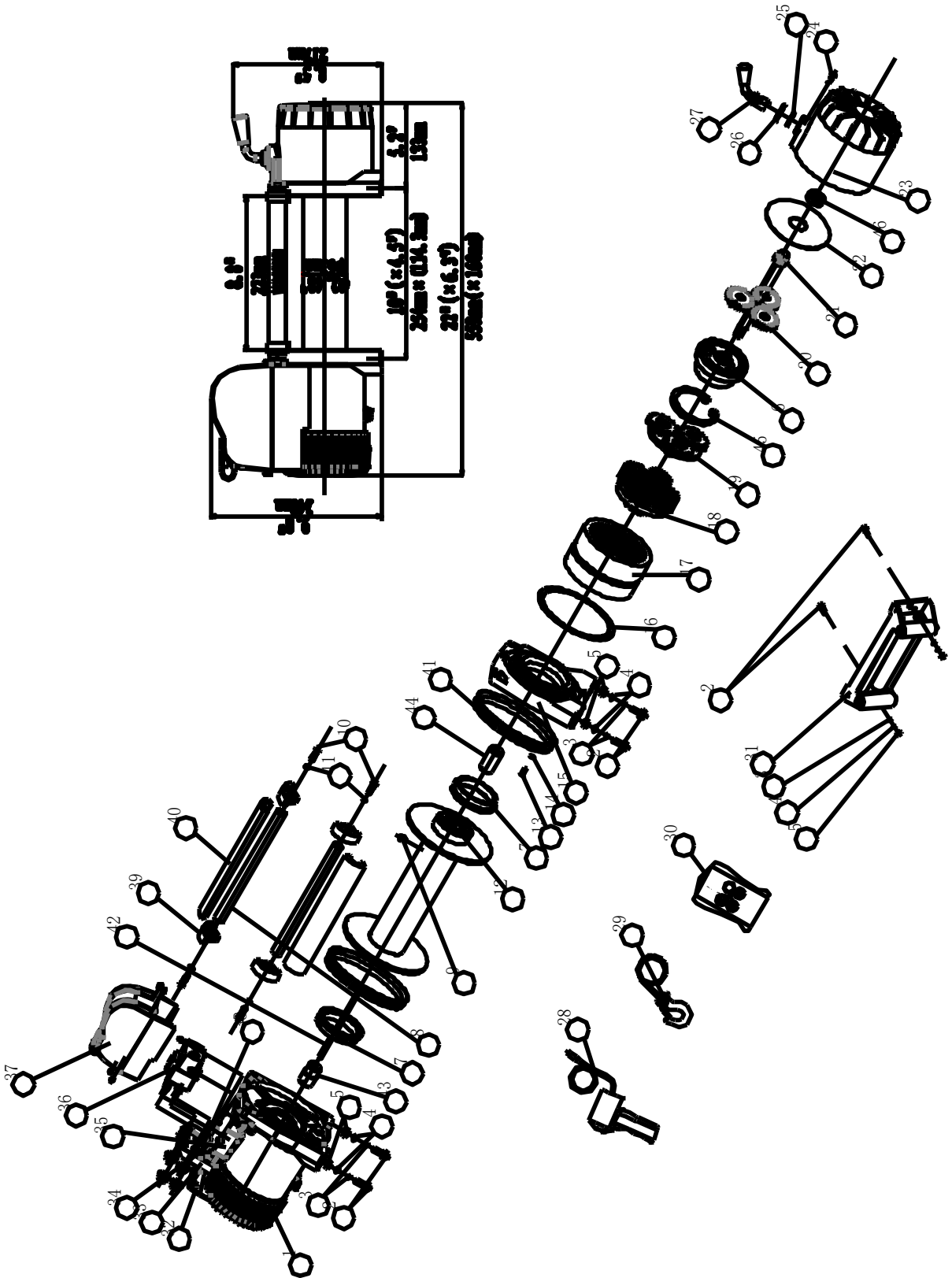
WINCH PARTS LIST (S8000)

No.	Part #	Qty	Description	Remark
1	V950100	1	Motor Assembly	
2	V800001	6	Cap Screw M10 x 35	
3	V800002	6	Lock Washer Φ 10	
4	V800003	6	Think Flat Washer Φ 10	
5	V800004	6	Hex Flange Nut M10	
6	V950200	1	Break / Shaft Assembly	
7	V1200005	2	Bushing—Drum	
8	V800006	2	Tie Bar	
9	V800007	1	Screw M8 x 10	
10	V800008	4	Think Flat Washer Φ 8	
11	V800009	4	Cap Screw M8 x 30	
12	V1200300	1	Drum Assembly	
13	V800010	8	Screw M5 x18	
14	V800011	8	Lock Washer Φ 5	
15	V1200012	1	End Bearing	
16	V800013	1	Gasket	
17	V800014	1	Gear—Ring	
18	V800400	1	Gear Carrier Assembly (Output)	
19	V800500	1	Gear Carrier Assembly (Intermediate)	
20	V800600	1	Gear Carrier Assembly (Input)	
21	V800015	1	Gear—Input Sun	
22	V800016	1	Trust Washer	
23	V800017	1	Gear—Housing	
24	V800018	1	Clutch Screw	
25	V800019	1	Ring Seals	
26	V800020	1	Clutch Cover	
27	V1200021	1	Clutch	
28	V800RS	1	Remote Control Switch (R8)	
29	V800800	1	Cable Assembly	
30	V80WRS	1	Wireless Remote Control Switch	
31	V800900	1	Roller Fairlead	
32	V800022	1	Mounting Play	800VS12/800VA12
33	V800023	1	Connecting Piece	800VS12/800VA12
34	V800024	1	Connecting Piece	800VS12/800VA12
35	V801300	1	Wireless Switch Receiver	800VS12/800VA12
36	V1201400	1	Relay with Screw Assembly	800VS12/800VA12
37	V951500	1	Cover with Screw Assembly	800VS12/800VA12
38	V800025	1	Connecting Piece	800VS12/800VA12
39	V1200026	4	Connecting Block	
40	V1200027	2	Connecting Rod Sets	
41	V800028	2	Ring Seals	
42	V800029	1	Six angle bar	
43	V800030	1	Coupling	
44	V800031	1	Coupling	
45	V800032	1	Circlip For Hole	
46	V800033	1	Bearing	

WINCH PARTS LIST (S9500)

No.	Part #	Qty	Description	Remark
1	V950100	1	Motor Assembly	
2	V950001	6	Cap Screw M10 x 35	
3	V950002	6	Lock Washer Φ 10	
4	V950003	6	Think Flat Washer Φ 10	
5	V950004	6	Hex Flange Nut M10	
6	V950200	1	Break / Shaft Assembly	
7	V1200005	2	Bushing—Drum	
8	V950006	2	Tie Bar	
9	V950007	1	Screw M8 x 10	
10	V950008	4	Think Flat Washer Φ 8	
11	V950009	4	Cap Screw M8 x 30	
12	V1200300	1	Drum Assembly	
13	V950010	8	Screw M5 x18	
14	V950011	8	Lock Washer Φ 5	
15	V1200012	1	End Bearing	
16	V950013	1	Gasket	
17	V950014	1	Gear—Ring	
18	V950400	1	Gear Carrier Assembly (Output)	
19	V950500	1	Gear Carrier Assembly (Intermediate)	
20	V950600	1	Gear Carrier Assembly (Input)	
21	V950015	1	Gear—Input Sun	
22	V950016	1	Trust Washer	
23	V950017	1	Gear—Housing	
24	V950018	1	Clutch Screw	
25	V950019	1	Ring Seals	
26	V950020	1	Clutch Cover	
27	V1200021	1	Clutch	
28	V950RS	1	Remote Control Switch (R8)	
29	V950800	1	Cable Assembly	
30	V95WRS	1	Wireless Remote Control Switch	
31	V950900	1	Roller Fairlead	
32	V950022	1	Mounting Play	950VS12/950VA12
33	V950023	1	Connecting Piece	950VS12/950VA12
34	V950024	1	Connecting Piece	950VS12/950VA12
35	V951300	1	Wireless Switch Receiver	950VS12/950VA12
36	V1201400	1	Relay with Screw Assembly	950VS12/950VA12
37	V951500	1	Cover with Screw Assembly	950VS12/950VA12
38	V950025	1	Connecting Piece	950VS12/950VA12
39	V1200026	4	Connecting Block	
40	V1200027	2	Connecting Rod Sets	
41	V950028	2	Ring Seals	
42	V950029	1	Six angle bar	
43	V950030	1	Coupling	
44	V950031	1	Coupling	
45	V950032	1	Circlip For Hole	
46	V950033	1	Bearing	

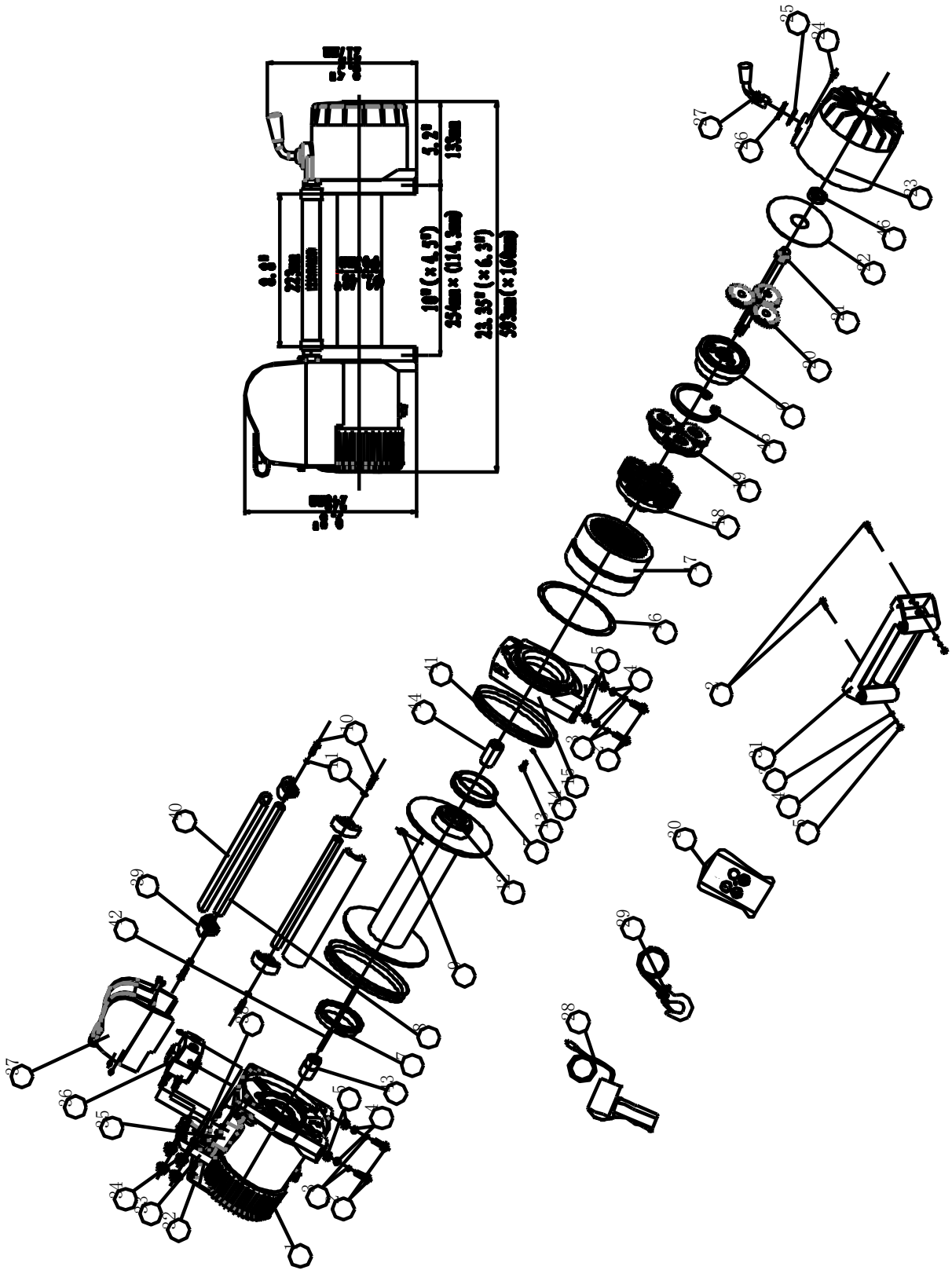
WINCH ASSEMBLY DRAWING(S12000)



WINCH PARTS LIST (S12000)

No.	Part #	Qty	Description	Remark
1	V1200100	1	Motor Assembly	
2	V1200001	6	Cap Screw M10 x 35	
3	V1200002	6	Lock Washer Φ 10	
4	V1200003	6	Think Flat Washer Φ 10	
5	V1200004	6	Hex Flange Nut M10	
6	V1200200	1	Break / Shaft Assembly	
7	V1200005	2	Bushing—Drum	
8	V1200006	2	Tie Bar	
9	V1200007	1	Screw M8 x 10	
10	V1200008	4	Think Flat Washer Φ 8	
11	V1200009	4	Cap Screw M8 x 30	
12	V1200300	1	Drum Assembly	
13	V1200010	8	Screw M5 x18	
14	V1200011	8	Lock Washer Φ 5	
15	V1200012	1	End Bearing	
16	V1200013	1	Gasket	
17	V1200014	1	Gear—Ring	
18	V1200400	1	Gear Carrier Assembly (Output)	
19	V1200500	1	Gear Carrier Assembly (Intermediate)	
20	V1200600	1	Gear Carrier Assembly (Input)	
21	V1200015	1	Gear—Input Sun	
22	V1200016	1	Trust Washer	
23	V1200017	1	Gear—Housing	
24	V1200018	1	Clutch Screw	
25	V1200019	1	Ring Seals	
26	V1200020	1	Clutch Cover	
27	V1200021	1	Clutch	
28	V120RS	1	Remote Control Switch (R8)	
29	V1200800	1	Cable Assembly	
30	V120WRS	1	Wireless Remote Control Switch	
31	V1200900	1	Roller Fairlead	
32	V1200022	1	Mounting Play	120VS12/120VA12
33	V1200023	1	Connecting Piece	120VS12/120VA12
34	V1200024	1	Connecting Piece	120VS12/120VA12
35	V1201300	1	Wireless Switch Receiver	120VS12/120VA12
36	V1201400	1	Relay with Screw Assembly	120VS12/120VA12
37	V1201500	1	Cover with Screw Assembly	120VS12/120VA12
38	V1200025	1	Connecting Piece	120VS12/120VA12
39	V1200026	4	Connecting Block	
40	V1200027	2	Connecting Rod Sets	
41	V1200028	2	Ring Seals	
42	V1200029	1	Six angle bar	
43	V1200030	1	Coupling	
44	V1200031	1	Coupling	
45	V1200032	1	Circlip For Hole	
46	V1200033	1	Bearing	

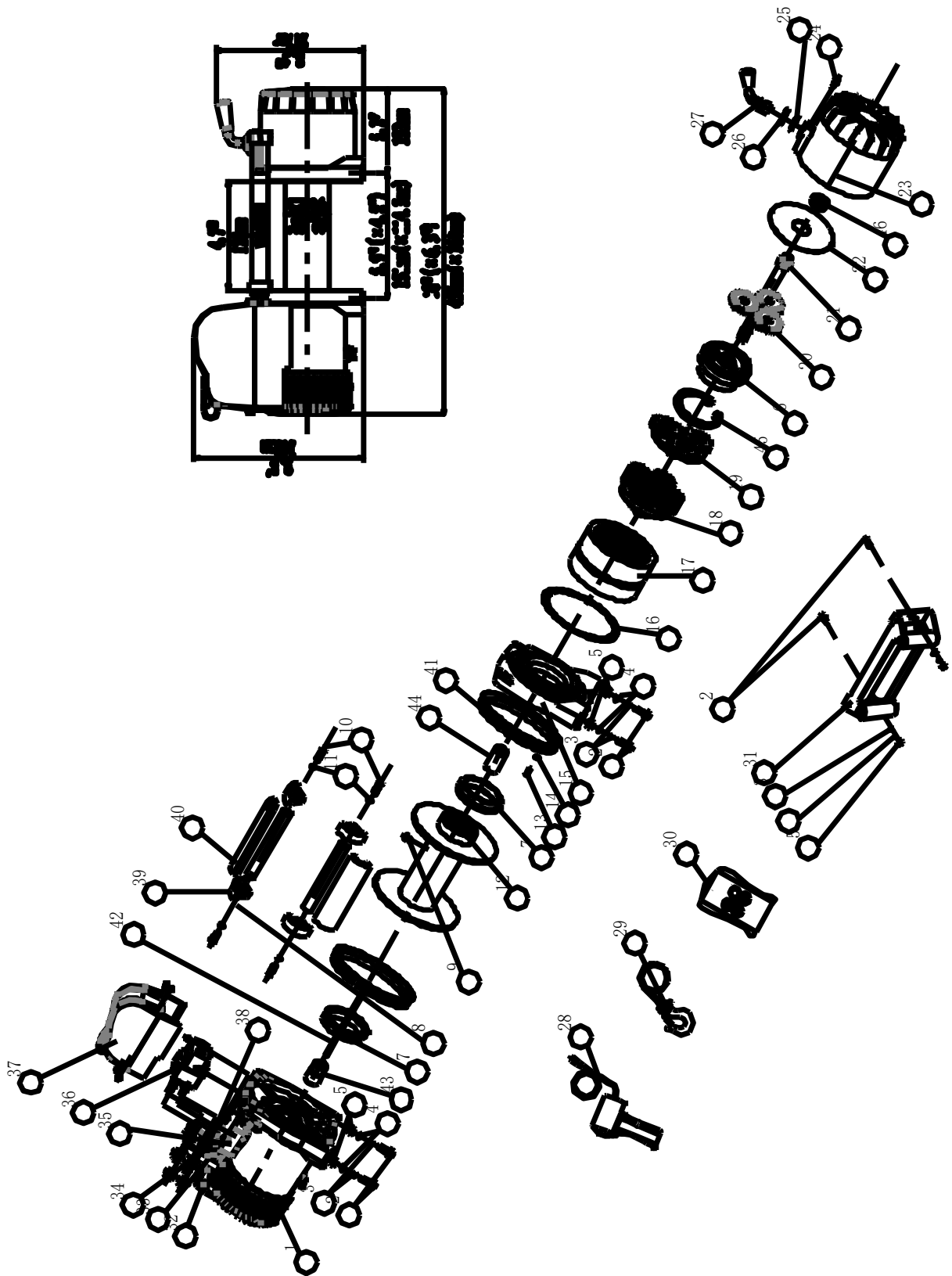
WINCH ASSEMBLY DRAWING(S14500)



WINCH PARTS LIST (S14500)

No.	Part #	Qty	Description	Remark
1	V1450100	1	Motor Assembly	
2	V1450001	6	Cap Screw M10 x 35	
3	V1450002	6	Lock Washer Φ10	
4	V1450003	6	Think Flat Washer Φ10	
5	V1450004	6	Hex Flange Nut M10	
6	V1450200	1	Break / Shaft Assembly	
7	V1450005	2	Bushing—Drum	
8	V1450006	2	Tie Bar	
9	V1450007	1	Screw M8 x 10	
10	V1450008	4	Think Flat Washer Φ8	
11	V1450009	4	Cap Screw M8 x 30	
12	V1450300	1	Drum Assembly	
13	V1450010	8	Screw M5 x18	
14	V1450011	8	Lock Washer Φ5	
15	V1450012	1	End Bearing	
16	V1450013	1	Gasket	
17	V1450014	1	Gear—Ring	
18	V1450400	1	Gear Carrier Assembly (Output)	
19	V1450500	1	Gear Carrier Assembly (Intermediate)	
20	V1450600	1	Gear Carrier Assembly (Input)	
21	V1450015	1	Gear—Input Sun	
22	V1450016	1	Trust Washer	
23	V1450017	1	Gear—Housing	
24	V1450018	1	Clutch Screw	
25	V1450019	1	Ring Seals	
26	V1450020	1	Clutch Cover	
27	V1450021	1	Clutch	
28	V145RS	1	Remote Control Switch (R8)	
29	V1450800	1	Cable Assembly	
30	V145WRS	1	Wireless Remote Control Switch	
31	V1450900	1	Roller Fairlead	
32	V1450022	1	Mounting Play	145VS12/145VA12
33	V1450023	1	Connecting Piece	145VS12/145VA12
34	V1450024	1	Connecting Piece	145VS12/145VA12
35	V1451300	1	Wireless Switch Receiver	145VS12/145VA12
36	V1451400	1	Relay with Screw Assembly	145VS12/145VA12
37	V1451500	1	Cover with Screw Assembly	145VS12/145VA12
38	V1450025	1	Connecting Piece	145VS12/145VA12
39	V1450026	4	Connecting Block	
40	V1450027	2	Connecting Rod Sets	
41	V1450028	2	Ring Seals	
42	V1450029	1	Six angle bar	
43	V1450030	1	Coupling	
44	V1450031	1	Coupling	
45	V1450032	1	Circlip For Hole	
46	V1450033	1	Bearing	

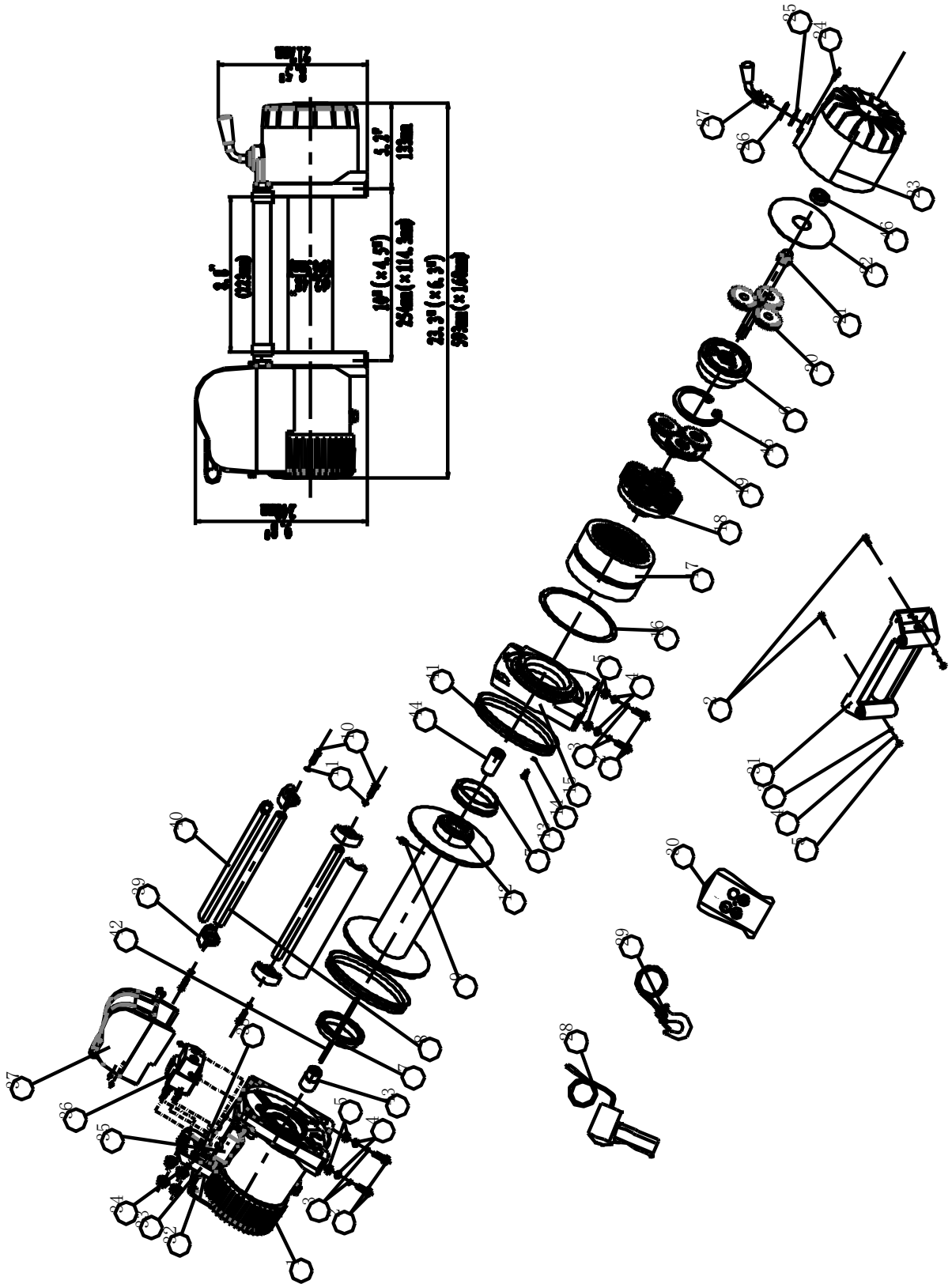
WINCH ASSEMBLY DRAWING(S9500SD)



WINCH PARTS LIST (S9500SD)

No.	Part #	Qty	Description	Remark
1	V950100	1	Motor Assembly	
2	V95SD0001	6	Cap Screw M10 x 35	
3	V95SD0002	6	Lock Washer Φ10	
4	V95SD0003	6	Think Flat Washer Φ10	
5	V95SD0004	6	Hex Flange Nut M10	
6	V950200	1	Break / Shaft Assembly	
7	V1200005	2	Bushing—Drum	
8	V95SD0006	2	Tie Bar	
9	V95SD0007	1	Screw M8 x 10	
10	V95SD0008	4	Think Flat Washer Φ8	
11	V95SD0009	4	Cap Screw M8 x 30	
12	V95SD0300	1	Drum Assembly	
13	V95SD0010	8	Screw M5 x18	
14	V95SD0011	8	Lock Washer Φ5	
15	V1200012	1	End Bearing	
16	V95SD0013	1	Gasket	
17	V95SD0014	1	Gear—Ring	
18	V95SD0400	1	Gear Carrier Assembly (Output)	
19	V95SD0500	1	Gear Carrier Assembly (Intermediate)	
20	V95SD0600	1	Gear Carrier Assembly (Input)	
21	V95SD0015	1	Gear—Input Sun	
22	V95SD0016	1	Trust Washer	
23	V95SD0017	1	Gear—Housing	
24	V95SD0018	1	Clutch Screw	
25	V95SD0019	1	Ring Seals	
26	V95SD0020	1	Clutch Cover	
27	V1200021	1	Clutch	
28	V95SDRS	1	Remote Control Switch (R8)	
29	V95SD0800	1	Cable Assembly	
30	V95SDWRS	1	Wireless Remote Control Switch	
31	V95SD0900	1	Roller Fairlead	
32	V95SD0022	1	Mounting Play	
33	V95SD0023	1	Connecting Piece	
34	V95SD0024	1	Connecting Piece	
35	V95SD1300	1	Wireless Switch Receiver	
36	V1201400	1	Relay with Screw Assembly	
37	V951500	1	Cover with Screw Assembly	
38	V95SD0025	1	Connecting Piece	
39	V1200026	4	Connecting Block	
40	V95SD0027	2	Connecting Rod Sets	
41	V95SD0028	2	Ring Seals	
42	V95SD0029	1	Six angle bar	
43	V95SD0030	1	Coupling	
44	V95SD0031	1	Coupling	
45	V95SD0032	1	Circlip For Hole	
46	V95SD0033	1	Bearing	

WINCH ASSEMBLY DRAWING(S9500HS)



WINCH PARTS LIST (S9500HS)

No.	Part #	Qty	Description	Remark
1	V1200100	1	Motor Assembly	
2	V95HS0001	6	Cap Screw M10 x 35	
3	V95HS0002	6	Lock Washer Φ 10	
4	V95HS0003	6	Think Flat Washer Φ 10	
5	V95HS0004	6	Hex Flange Nut M10	
6	V95HS0200	1	Break / Shaft Assembly	
7	V1200005	2	Bushing—Drum	
8	V95HS0006	2	Tie Bar	
9	V95HS0007	1	Screw M8 x 10	
10	V95HS0008	4	Think Flat Washer Φ 8	
11	V95HS0009	4	Cap Screw M8 x 30	
12	V1200300	1	Drum Assembly	
13	V95HS0010	8	Screw M5 x18	
14	V95HS0011	8	Lock Washer Φ 5	
15	V1200012	1	End Bearing	
16	V95HS0013	1	Gasket	
17	V95HS0014	1	Gear—Ring	
18	V95HS0400	1	Gear Carrier Assembly (Output)	
19	V95HS0500	1	Gear Carrier Assembly (Intermediate)	
20	V95HS0600	1	Gear Carrier Assembly (Input)	
21	V95HS0015	1	Gear—Input Sun	
22	V95HS0016	1	Trust Washer	
23	V95HS0017	1	Gear—Housing	
24	V95HS0018	1	Clutch Screw	
25	V95HS0019	1	Ring Seals	
26	V95HS0020	1	Clutch Cover	
27	V1200021	1	Clutch	
28	V95HSRS	1	Remote Control Switch (R8)	
29	V95HS0800	1	Cable Assembly	
30	V95HSWRS	1	Wireless Remote Control Switch	
31	V95HS0900	1	Roller Fairlead	
32	V95HS0022	1	Mounting Play	
33	V95HS0023	1	Connecting Piece	
34	V95HS0024	1	Connecting Piece	
35	V95HS1300	1	Wireless Switch Receiver	
36	V1201400	1	Relay with Screw Assembly	
37	V1201500	1	Cover with Screw Assembly	
38	V95HS0025	1	Connecting Piece	
39	V1200026	4	Connecting Block	
40	V1200027	2	Connecting Rod Sets	
41	V95HS0028	2	Ring Seals	
42	V95HS0029	1	Six angle bar	
43	V95HS0030	1	Coupling	
44	V95HS0031	1	Coupling	
45	V95HS0032	1	Circlip For Hole	
46	V95HS0033	1	Bearing	

SPECIFICATION (S8000)

Rated line pulls	8000 lbs (35.56kN)
Gear reduction ratio	196:1
Motor	5.8hp / 4.3Kw(12V) 7.4hp / 5.5Kw(24V)
Overall dimensions	22" (L) x6.3" (W) x9.8" (H) 559(L)mmX160(W) mmX248(H)mm
Drum size	Ø2.48" (D) x 8.8" (L) Ø 63(D) mm x223(L) mm
Cable	Ø 21/64" (D) x 95'(L) Ø 8.3mm (D) x29m (L)

DUTY CYCLE

Line speed and motor current (First layer)

Line pull lb (kN)	Line speed ft/min (m/min)		Motor current Amps (Max)	
	12V	24V	12V	24V
0	36(11.0)	44.3(13.5)	50	35
2000 (8.89)	17.4(5.3)	20.3(6.2)	125	90
4000 (17.78)	13.1(4.0)	15.7(4.8)	200	140
6000 (26.67)	10.5(3.2)	14.1(4.3)	260	150
8000 (35.56)	8.2(2.5)	10.8(3.3)	310	200

Line pull and cable capacity

Layer of cable	Rated line pull per Layer lb (kN)	Cable capacity per Layer ft (m)
1	8000 (35.36)	21.3 (6.5)
2	6620 (29.43)	46.9 (14.3)
3	5650 (25.12)	77.1 (23.5)
4	4920 (21.87)	95.1 (29)

SPECIFICATION (S9500)

Rated line pulls	9500 lbs (42.23kN)
Gear reduction ratio	196:1
Motor	6.1hp / 4.6Kw(12V) 7.8hp / 5.8Kw(24V)
Overall dimensions	22" (L) x6.3" (W) x9.8" (H) 559(L)mmX160(W)mmX248(H)mm
Drum size	Ø2.48" (D) x 8.8" (L) Ø 63(D) mm x223 (L) mm
Cable	Ø 3/8" (D) x 85'(L) Ø 9.2mm (D) x 26m (L)

DUTY CYCLE

Line speed and motor current (First layer)

Line pull lb (kN)	Line speed ft/min (m/min)		Motor current Amps (Max)	
	12V	24V	12V	24V
0	36(11.0)	44.3(13.5)	50	35
2000 (8.89)	17.4(5.3)	20.3(6.2)	120	90
3000 (13.33)	15.4(4.7)	17.3(5.3)	150	105
6000 (26.67)	10.5(3.2)	14.1(4.3)	260	150
8000 (35.56)	8.2(2.5)	10.8(3.3)	300	200
9500 (42.23)	6.5(2.0)	8.5(2.6)	355	225

Line pull and cable capacity

Layer of cable	Rated line pull per Layer lb (kN)	Cable capacity per Layer ft (m)
1	9500 (42.23)	18 (5.5)
2	7600 (33.78)	39.4 (12)
3	6200 (27.56)	64 (19.5)
4	5400 (24.00)	85 (26.0)

SPECIFICATION (S12000)

Rated line pulls	12000 lbs (53.34kN)
Gear reduction ratio	253:1
Motor	6.7hp / 5.0Kw(12V) 8.0hp / 6.0Kw(24V)
Overall dimensions	22" (L) x6.3" (W) x9.8" (H) 559(L)mmX160(W)mmX248(H)mm
Drum size	Ø2.48" (D) x 8.8" (L) Ø 63(D) mm x223(L) mm
Cable	Ø 13/32" (D) x 83.7'(L) Ø 10.2mm (D) x 25.5m (L)

DUTY CYCLE

Line speed and motor current (First layer)

Line pull lb (kN)	Line speed ft/min (m/min)		Motor current Amps (Max)	
	12V	24V	12V	24V
0	27.9(8.5)	36.1(11.0)	45	30
6000 (26.67)	11.5(3.5)	12.1(3.7)	200	130
8000 (35.56)	8.2(2.5)	10.5(3.2)	240	180
10000 (44.45)	5.9(1.8)	8.9(2.7)	300	220
12000 (53.34)	4.6(1.4)	7.9(2.4)	370	250

Line pull and cable capacity

Layer of cable	Rated line pull per Layer lb (kN)	Cable capacity per Layer ft (m)
1	12000 (53.34)	15.1 (4.6)
2	9533 (42.38)	34.1 (10.4)
3	7907 (35.15)	57.7 (17.6)
4	6755 (30.03)	83.7 (25.5)

SPECIFICATION (S14500)

Rated line pulls	14500 lbs (64.45kN)
Gear reduction ratio	253:1
Motor	7.2hp / 5.4Kw(12V) 8.3hp / 6.2Kw(24V)
Overall dimensions	23.35" (L) x6.30" (W) x9.80" (H) 593(L) mm X 160(W) mm X 248 (H) mm
Drum size	Ø2.48" (D) x 8.8" (L) Ø 63(D) mm x223(L) mm
Cable	Ø 13/32" (D) x 83.7'(L) Ø 10.2mm (D) x 25.5m (L)

DUTY CYCLE

Line speed and motor current (First layer)

Line pull lb (kN)	Line speed ft/min (m/min)		Motor current Amps (Max)	
	12V DC	24V DC	12V DC	24V DC
0	27.9(8.5)	36.1(11.0)	45	30
6000 (26.67)	11.5(3.5)	13.8(4.2)	200	130
8000 (35.56)	7.87(2.4)	10.5(3.2)	245	160
10000 (44.45)	5.57(1.7)	8.9(2.7)	310	190
12000 (53.34)	4.92(1.5)	7.9(2.4)	380	230
14500 (64.45)	2.6(0.8)	4.26(1.3)	460	300

Line pull and cable capacity

Layer of cable	Rated line pull per Layer lb (kN)	Cable capacity per Layer ft (m)
1	14500 (64.45)	15.1 (4.6)
2	11519 (51.2)	34.1 (10.4)
3	9556 (42.48)	57.7 (17.6)
4	8163 (36.28)	83.7 (25.5)

SPECIFICATION (S9500SD)

Rated line pulls	9500 lbs (42.23kN)
Gear reduction ratio	196:1
Motor	6.1hp / 4.6Kw(12V) 7.8hp / 5.8Kw(24V)
Overall dimensions	18" (L) x6.3" (W) x9.8" (H) 456(L)mmX160(W)mmX248(H)mm
Drum size	Ø2.48" (D) x 4.7" (L) Ø 63(D) mm x120 (L) mm
Cable	Ø 3/8" (D) x 45.9'(L) Ø 9.2mm (D) x 14.0m (L)

DUTY CYCLE

Line speed and motor current (First layer)

Line pull lb (kN)	Line speed ft/min (m/min)		Motor current Amps (Max)	
	12V	24V	12V	24V
0	36(11.0)	44.3(13.5)	50	35
2000 (8.89)	17.4(5.3)	20.3(6.2)	120	90
3000 (13.33)	15.4(4.7)	17.3(5.3)	150	105
6000 (26.67)	10.5(3.2)	14.1(4.3)	260	150
8000 (35.56)	8.2(2.5)	10.8(3.3)	300	200
9500 (42.23)	6.5(2.0)	8.5(2.6)	355	225

Line pull and cable capacity

Layer of cable	Rated line pull per Layer lb (kN)	Cable capacity per Layer ft (m)
1	9500 (42.23)	9.8(3.0)
2	7600 (33.78)	24.6 (7.5)
3	6200 (27.56)	42.7(13.0)
4	5400 (24.00)	45.9 (14.0)

SPECIFICATION (S9500HS)

Rated line pulls	9500 lbs (42.23kN)
Gear reduction ratio	121.7:1
Motor	8.6 hp / 6.4kW (DC 12V) 10.7hp /8.0kW (DC 24V)
Overall dimensions	23.35" (L) x6.30" (W) x9.80" (H) 593(L)mmX160(W)mm X 248 (H) mm
Drum size	Ø2.48" (D) x 8.8" (L) Ø 63(D) mm x223(L) mm
Cable	Ø 3/8" (D) x 85'(L) 9.2mm (D) x 26m (L)

DUTY CYCLE

Line speed and motor current (First layer)

Line pull	Line speed ft/min (m/min)		Motor current Amps (Max)	
	12V	24V	12V	24V
lbs (kN)				
0	68.9(21)	82.0(25)	45	31
4000(17.78)	17.7(5.4)	19.7(6.0)	260	150
6000(26.67)	12.1(3.7)	16.1(4.9)	350	210
8000(35.56)	9.51(2.9)	13.12(4.0)	440	260
9500(42.23)	8.86(2.7)	11.81(3.6)	520	300

Line pull and cable capacity

Layer of cable	Rated line pull per Layer lbs (kN)	Cable capacity per Layer ft (m)
1	9500 (42.23)	15.1 (4.6)
2	7600 (33.78)	34.1 (10.4)
3	6200 (27.56)	57.7 (17.6)
4	5400 (24.00)	85.3 (26.0)

Limited lifetime with 3 year on electrical
Limited Lifetime Warranty for WARRIOR WINCHES

Winch Solutions are the sole distributors of WARRIOR WINCHES.

Winch Solutions ("seller" or winch solutions) warrants to the original retail buyer only ("Buyer") that any mechanical component of a genuine WARRIOR WINCH ("product") is free of defects in material and workmanship for the lifetime of the winch.

The electrical components (including the motor, contactor, and switches) will be free of defects in material and workmanship for a period of (3) three years (36 Months) from the original purchase provable date of purchase.

Any product Winch Solutions determines to be defective will be repaired or replaced at Winch Solutions sole discretion without charge to the Buyer upon Buyer's compliance with this procedure. Seller or its Authorized Agent may make reasonable charges for parts and for labour for repairs not covered by this Lifetime Limited Warranty. The warranties set forth herein are exclusive and in lieu of all other warranties, whether oral or written, express or implied.

All purchases must be registered. Any product that has not been registered will be covered by the standard 1 year warranty.

To obtain service under this warranty, the Buyer shall mail, ship or otherwise deliver to the address noted below, at the Buyers expense; (1) the Product, (2) a written description of the problem, (3) Buyers name, address and contact number, (4) copy of the original purchase receipt.

The Warranty does not cover the cost of labour or transportation/shipping charges for the replacement or installation of defective parts.

This warranty does not apply to defects of the Product caused by; (1) normal wear and tear, (2) failure to comply with any installation or maintenance instructions provided by the Seller, including but not limited to subjecting the product to loads in excess of the loads listed in any instructions, Owners Manual or as detailed upon the Sellers website, (3) commercial or industrial use, (4) alteration or modification by any parties other than the Seller, (5) misuse, abuse, neglect, accidents, Acts of God, terrorism or (6) other causes beyond the control of the Seller after delivery of the Product to the Sellers Authorized Agent.

This Warranty does not cover cables, synthetic ropes, fairleads or exterior finishes

Winch Solutions shall not be responsible or liable for any indirect or consequential damages. These consequential damages may include, but are not limited to, lost profits or loss of use and down time.

Winch Solution reserves the right to change the Product design without notice. Winch Solutions reserves the right to replace any part or whole unit with a newer design of the same function.

Please ensure you record the information below:

Distributor	
Date of Purchase	
Invoice No	
Serial No	

Please register your Winch at www.warriorwinch.co.uk , any product that is not registered will not be covered by the lifetime warranty.

In the unlikely event you experience problems, contact the distributor with this information.