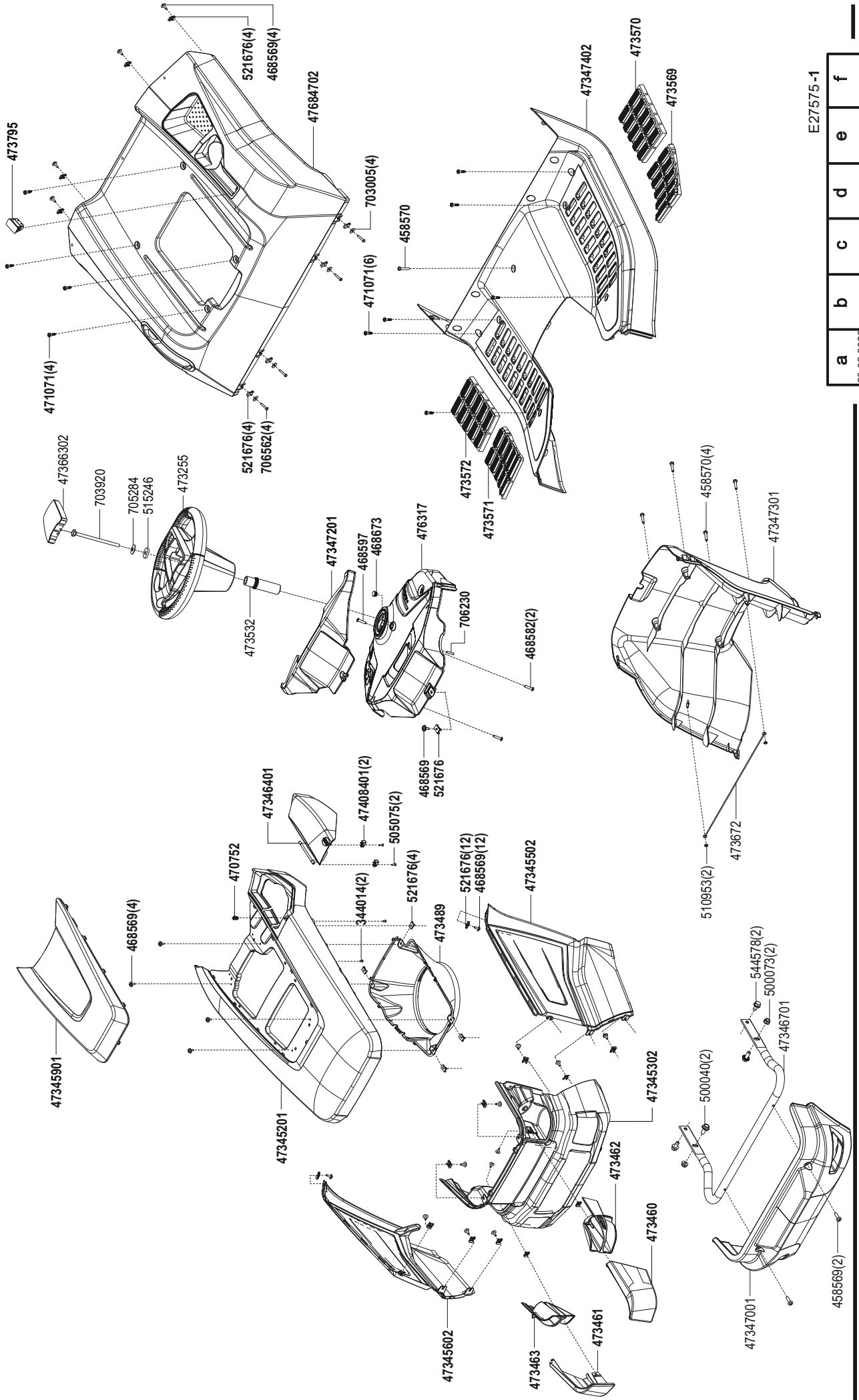


T 22-110.0 HDH-A V2

Art.Nr. 127575

solo
by **AL-KO**



E27575-1

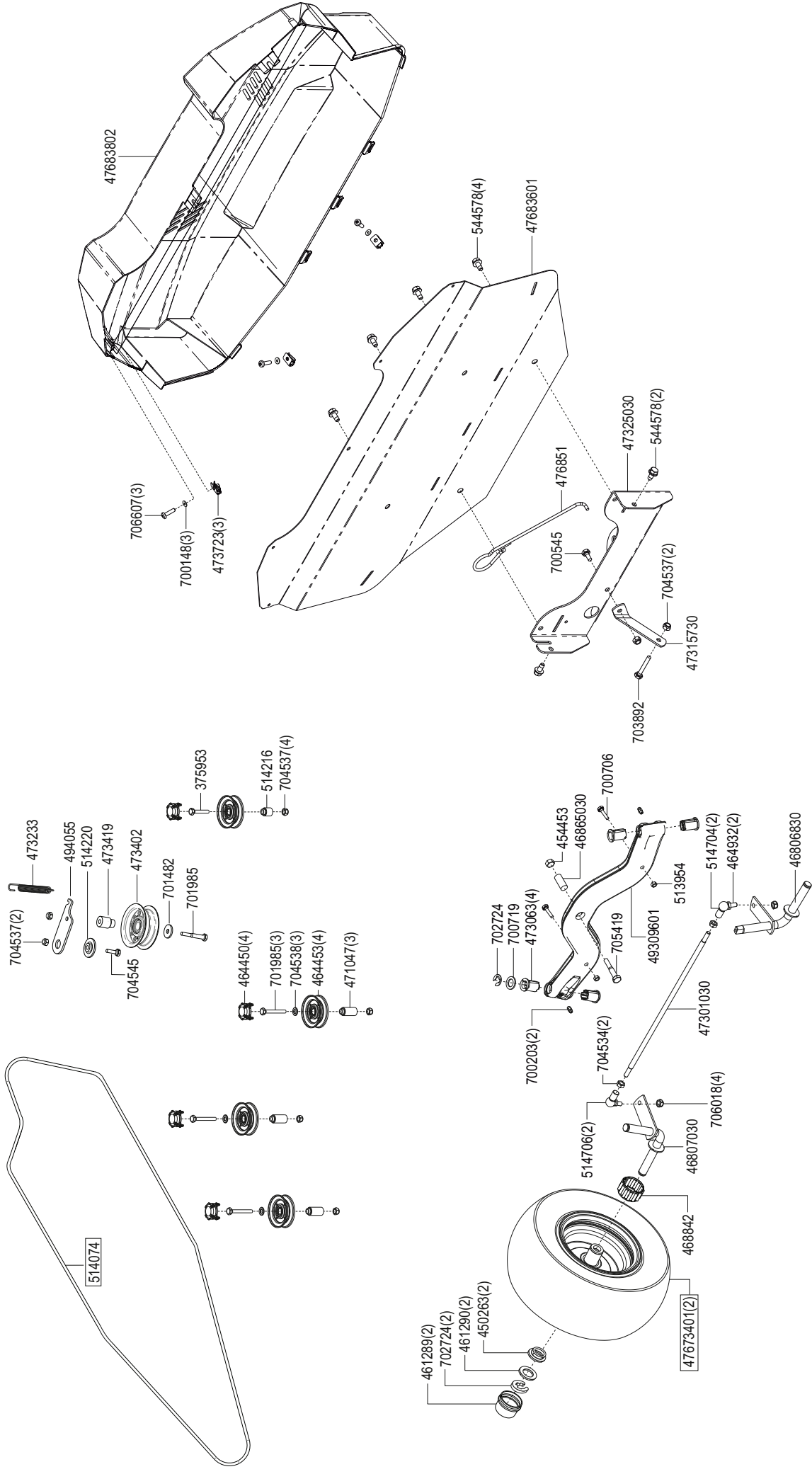
a	b	c	d	e	f
---	---	---	---	---	---

23.02.2023

T 22-110.0 HDH-A V2

Art.Nr. 127575

solo
by **AL-KO**



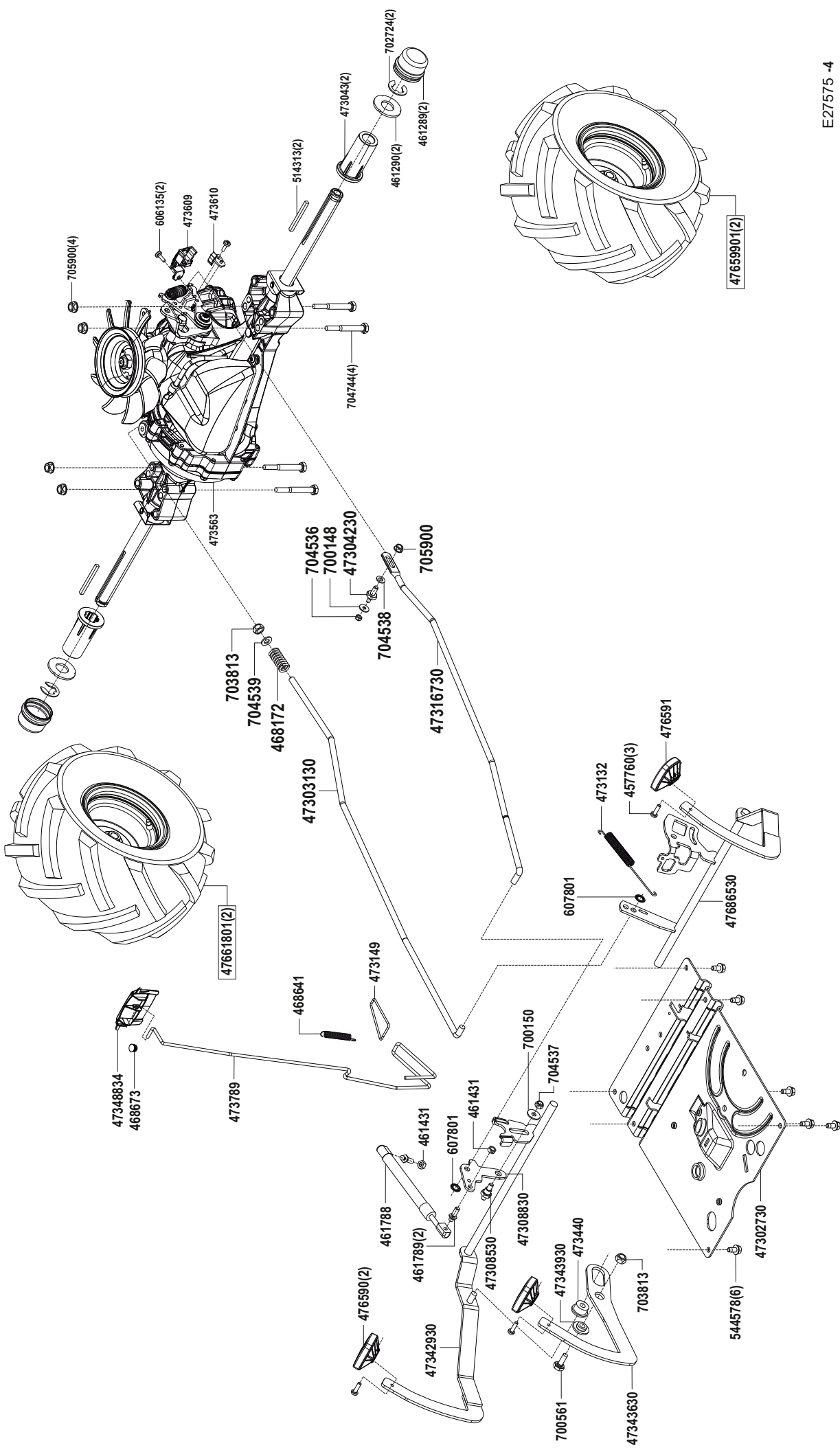
E27575-3

a	b	c	d	e	f
23.02.2023					

T 22-110.0 HDH-A V2

Art.Nr. 127575

solo
by **AL-KO**



a
23.02.2023

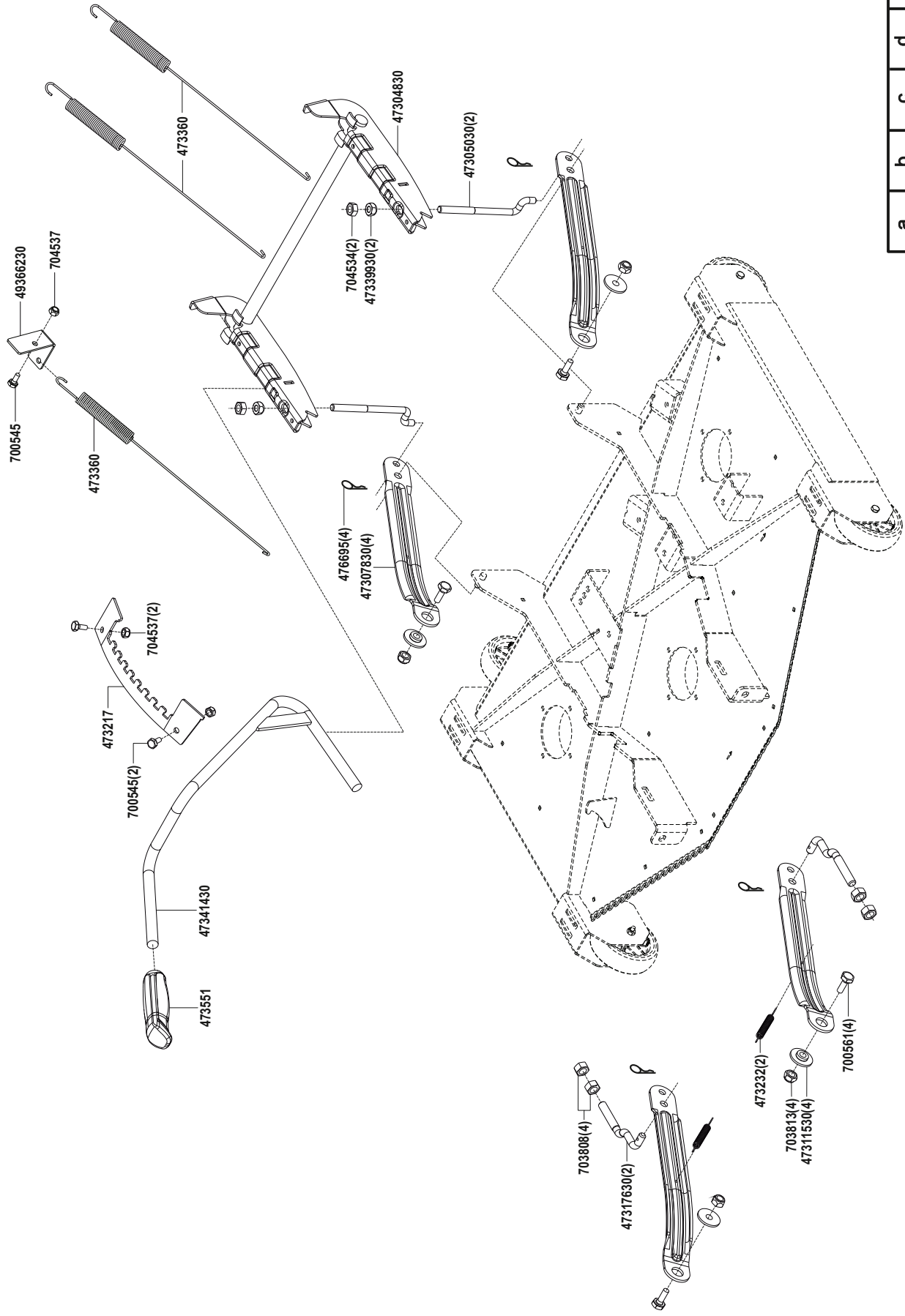
b	c	d	e	f
---	---	---	---	---

E27575 -4

T 22-110.0 HDH-A V2

Art.Nr. 127575

solo
by **AL-KO**



E27575-5

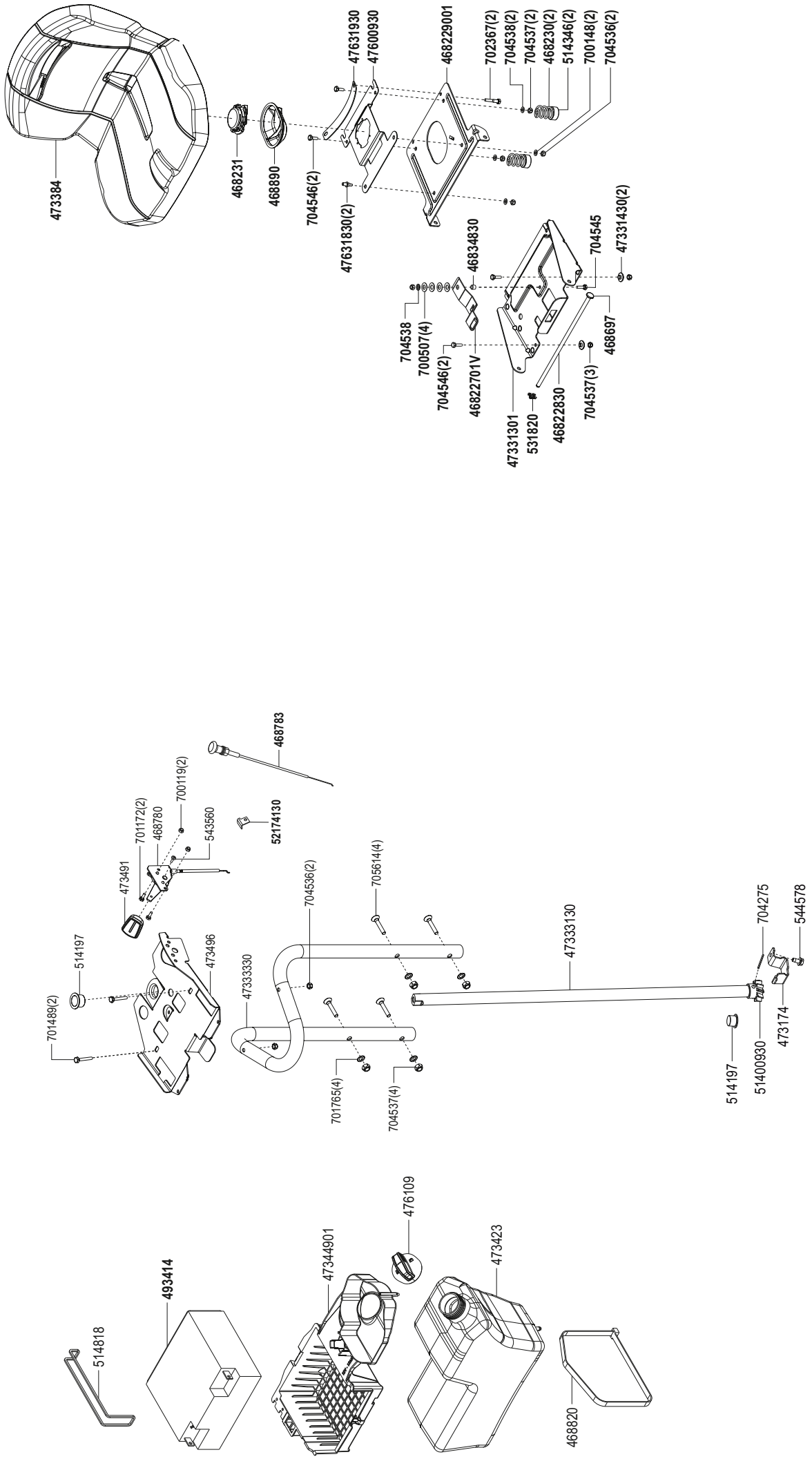
a	b	c	d	e	f
---	---	---	---	---	---

23.02.2023

T 22-110.0 HDH-A V2

Art.Nr. 127575

solo
by **AI-KO**



E27575-7

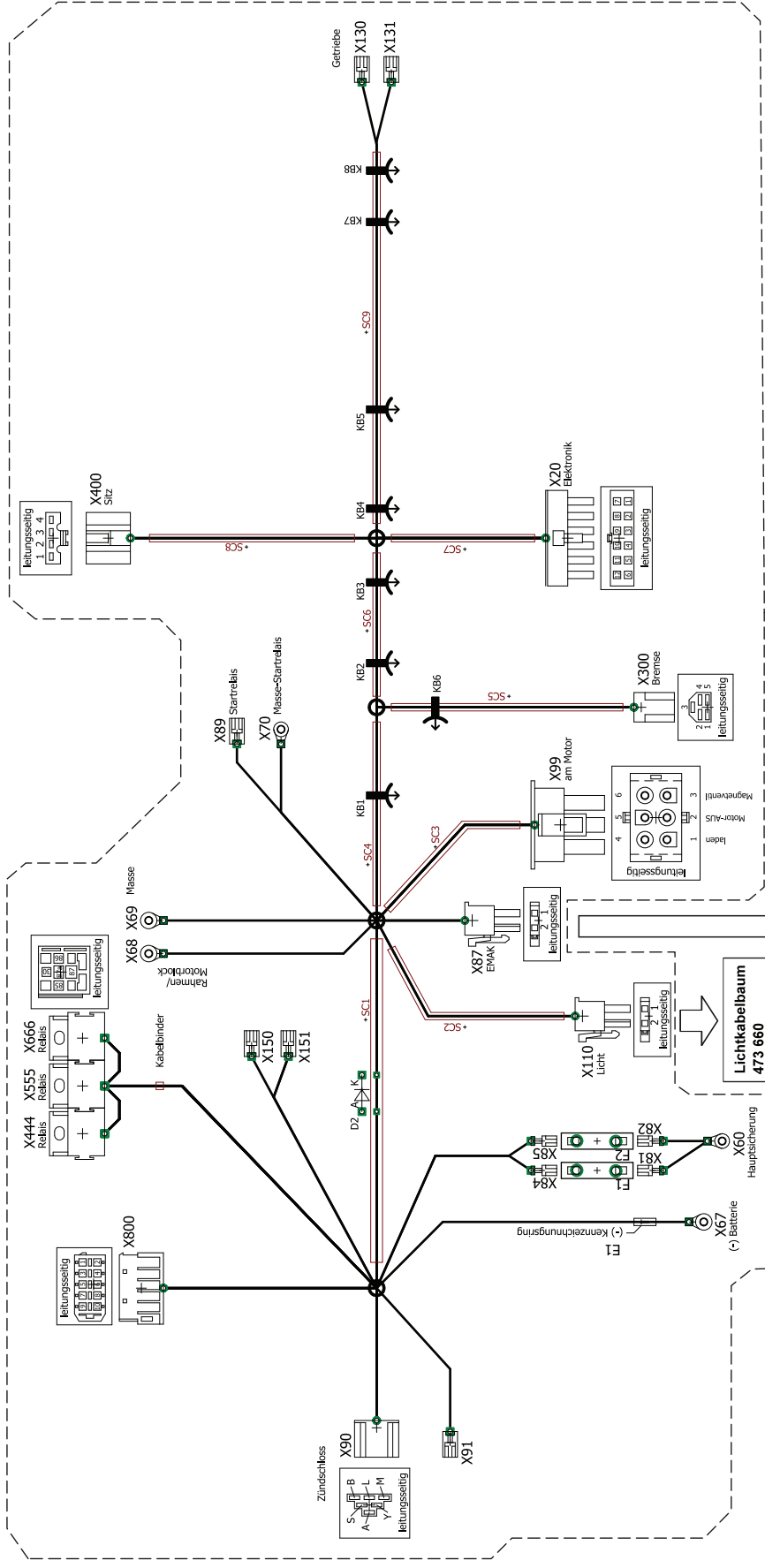
a	b	c	d	e	f
---	---	---	---	---	---

23.02.2023

T 22-110.0 HDH-A V2

Art.Nr. 127575

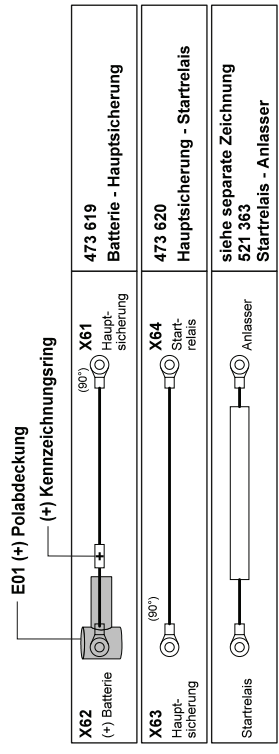
solo
by **AL-KO**



476845
Kabelbaum
Hauptstrang
Seitenauswurf

EMMAK-Kabelbaum
473 661
6170-440-0500-A

Lichtkabelbaum
473 660
6160-440-1935-A



E27575-9

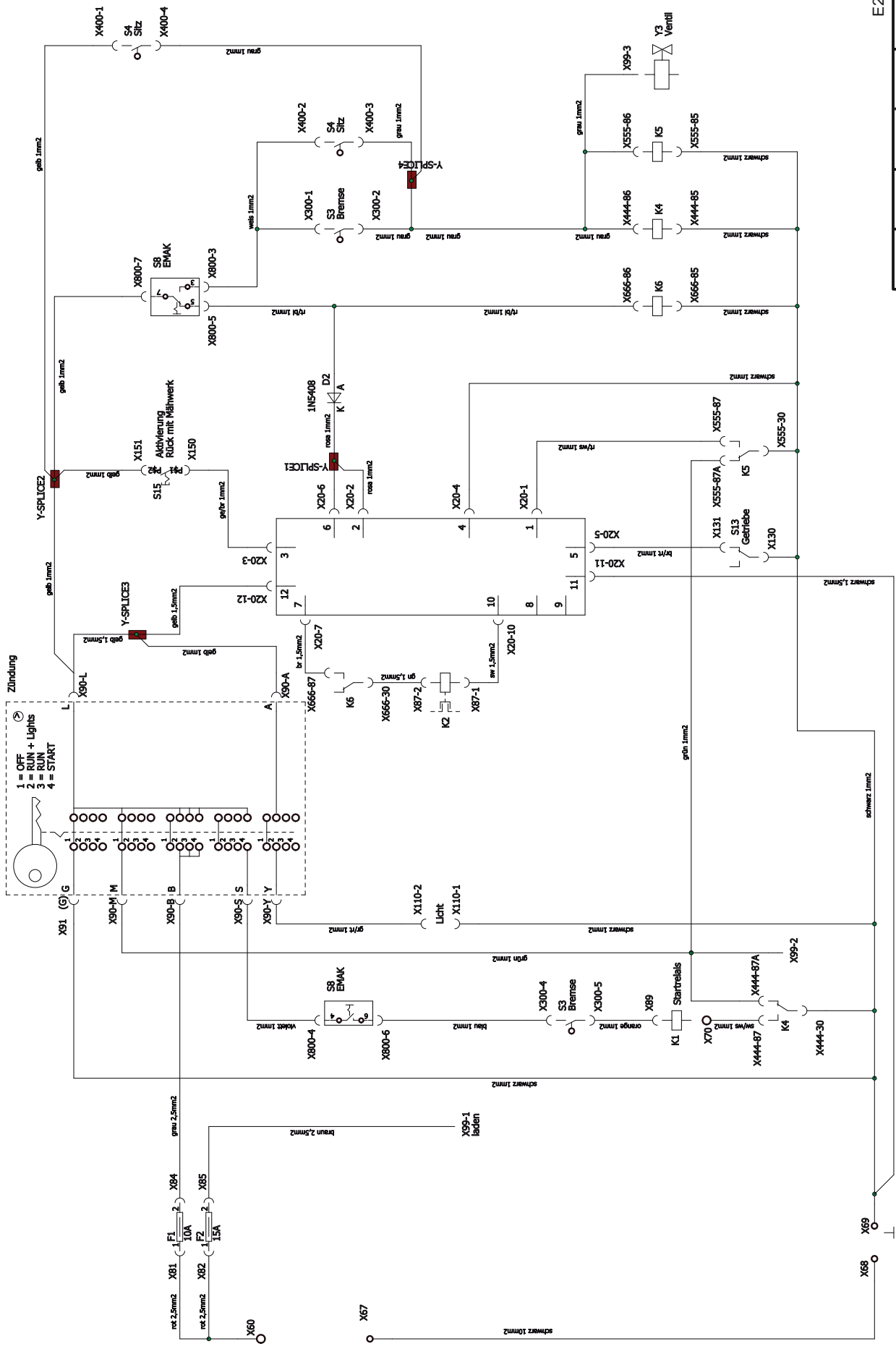
a	b	c	d	e	f
---	---	---	---	---	---

23.02.2023

T 22-110.0 HDH-A V2

Art.Nr. 127575

solo
by **AL-KO**



E27575-10

a	b	c	d	e	f
---	---	---	---	---	---

23.02.2023