



Husqvarna®

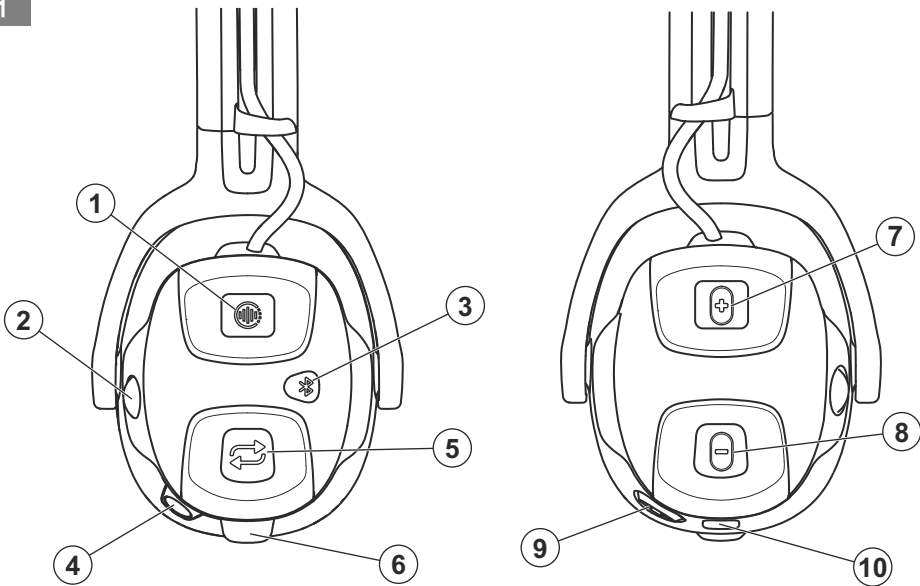


X-SYNC (HP500BT-01, HP500BT-02)

EAC

EN	Operator's manual	6-12
BG	Ръководство за експлоатация	13-20
BS	Korisnički priručnik	21-27
CS	Návod k použití	28-34
DA	Brugsanvisning	35-41
DE	Bedienungsanweisung	42-49
EL	Οδηγίες χρήσης	50-57
ES	Manual de usuario	58-65
ET	Kasutusjuhend	66-72
FI	Käyttöohje	73-79
FR	Manuel d'utilisation	80-87
HR	Priručnik za korištenje	88-94
HU	Használati utasítás	95-102
IT	Manuale dell'operatore	103-109
LT	Operatoriaus vadovas	110-116
LV	Lietošanas pamācība	117-123
MK	Упатство за оператор	124-131
NL	Gebruiksaanwijzing	132-138
NO	Bruksanvisning	139-145
PL	Instrukcja obsługi	146-153
PT	Manual do utilizador	154-161
RO	Instrucțiuni de utilizare	162-169
RU	Руководство по эксплуатации	170-177
SK	Návod na obsluhu	178-184
SL	Navodila za uporabo	185-191
SR	Priručnik za rukovaoca	192-198
SV	Bruksanvisning	199-205
TR	Kullanım kılavuzu	206-212
ES-MX	Manual del usuario	213-220
FR-CA	Manuel d'utilisation	221-228

1



2

HP500BT-01

f(Hz)	63	125	250	500	1000	2000	4000	8000	H	M	L	SNR
Mf (dB)												
Sf (dB)												
APV (dB)												



457

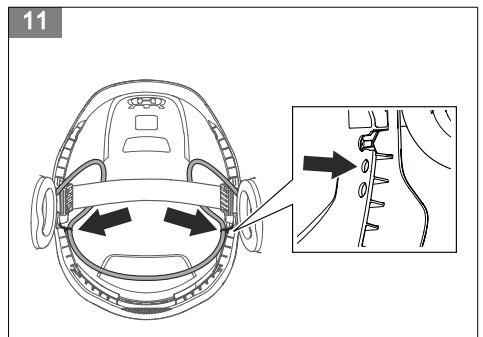
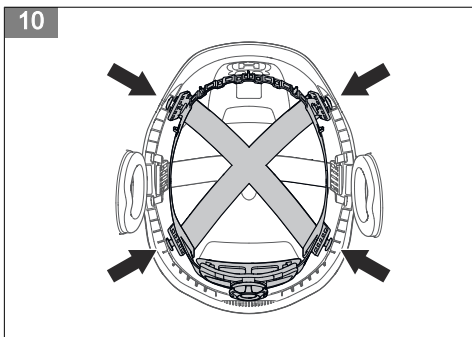
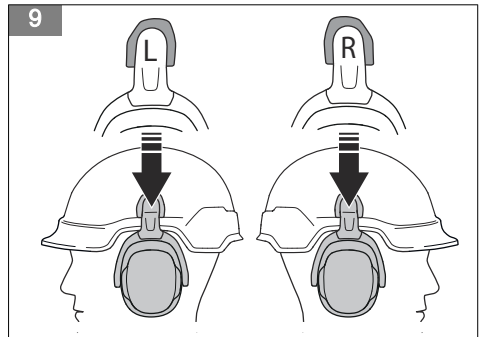
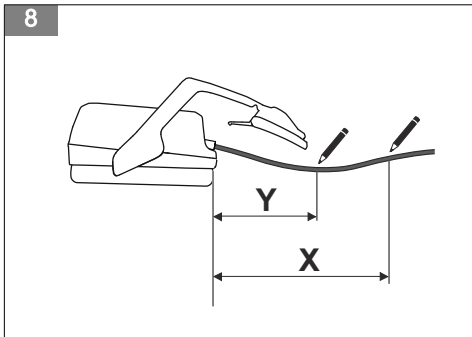
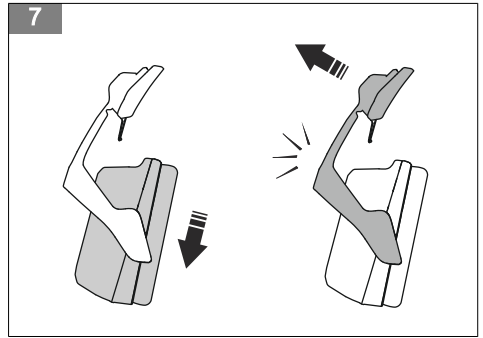
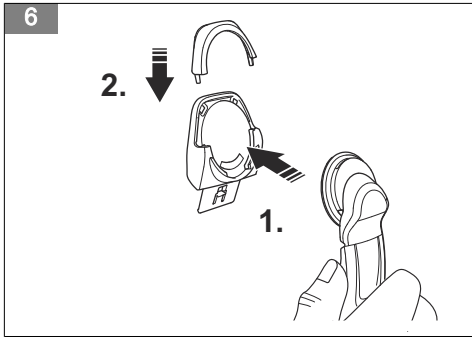
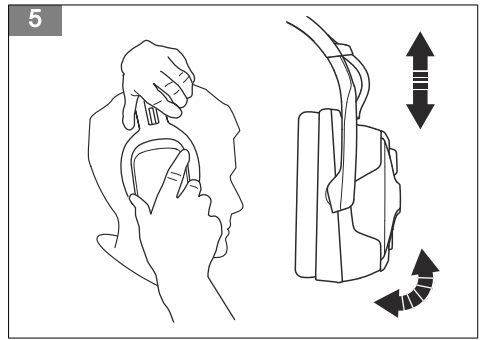
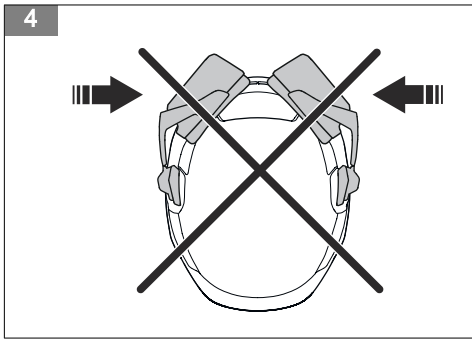
3

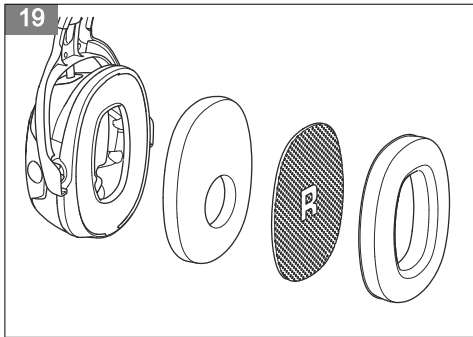
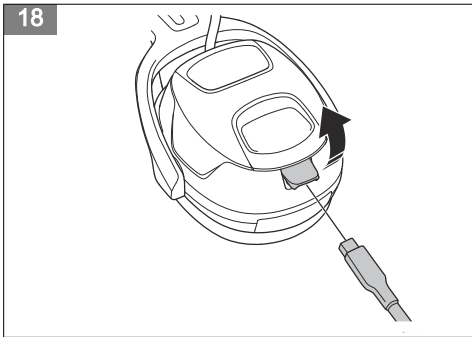
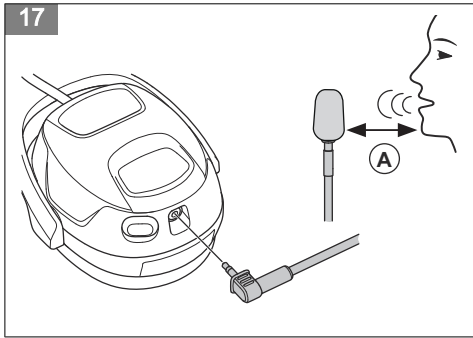
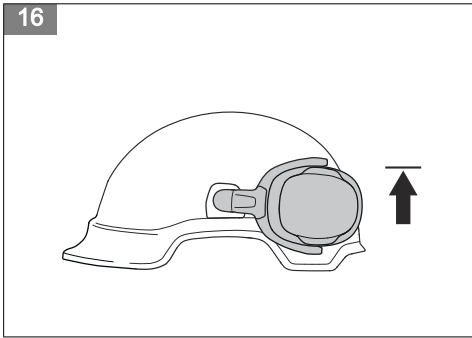
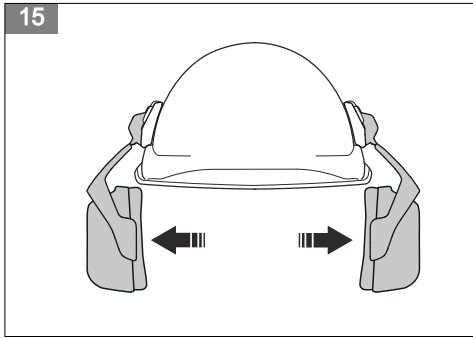
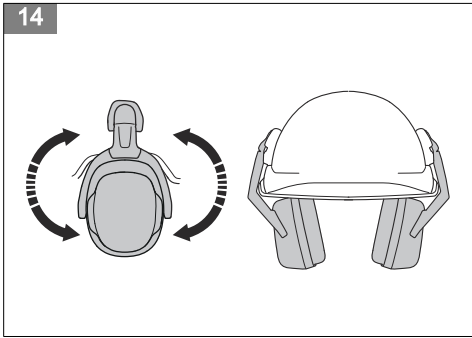
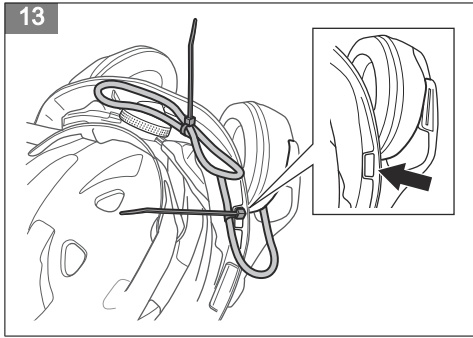
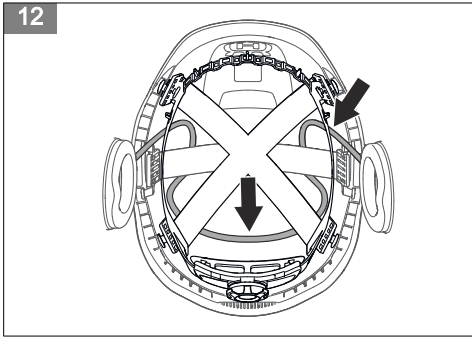
HP500BT-02

f(Hz)	63	125	250	500	1000	2000	4000	8000	H	M	L	SNR
Mf (dB)												
Sf (dB)												
APV (dB)												

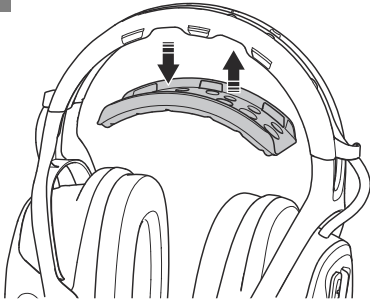


498

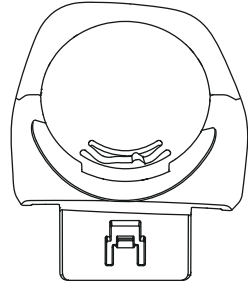




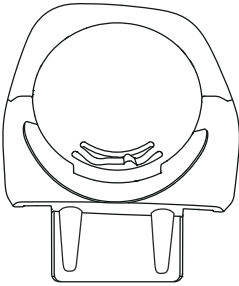
20



21



22



Contents

Introduction.....	6	Transportation, storage and disposal.....	11
Safety.....	7	Accessories.....	11
Assembly.....	8	Technical data.....	12
Operation.....	9	Appendix	229
Maintenance.....	10		

Introduction

Product description

The product X-SYNC (HP500BT-01, HP500BT-02) is a hearing protection with integrated full-duplex communication, *Bluetooth® wireless technology* and FM

Product overview

(Fig. 1)

1. Ambient sound button
2. Level dependent microphone
3. Bluetooth® button
4. Speech microphone
5. Mode button
6. USB-C charger cable outlet
7. Volume up button
8. Volume down button
9. On/Off button
10. Boom microphone outlet

Compliance and approvals

Hereby, Husqvarna AB, SE-561 82 Huskvarna, Sweden, tel: +46-36-146500, declares that the radio equipment type HP500BT-01 and HP500BT-01 is in compliance with 2014/53/EU, 2011/65/EU and the regulation (EU) 2016/425. Regulation 2016/425 on personal protective equipment, as amended to apply in GB. The full text of the EU declaration of conformity and the UK declaration of conformity is available at the following internet address: www.husqvarna.com; search for X-SYNC, HP500BT-01, HP500BT-02.

The product attenuation values and noise levels are tested and approved according to: EN 352-1:2020 (headband), EN 352-3:2020 (helmet mounted), EN 352-4:2020, EN 352-6:2020 and EN 352-8:2020.

Notified body involved in the conformity assessment is: Notified body number 1974. PZT GmbH, Bismarckstraße 264 B, 26389 Wilhelmshaven, Germany.

Approved body UK number 0321. SATRA Technology Centre, Wyndham Way, Telford Way, Kettering, Northamptonshire, NN16 8SD, UK.

Certification and Monitoring by PZT.

The battery is certified according to IEC62133 edition 2.

radio. The model HP500BT-01 is a hearing protection with headband and the model HP500BT-02 is a hearing protection for a helmet. The product gives protection from harmful noise.



UK Importer:
Husqvarna UK Ltd
Preston Road, Co. Durham
DL5 6UP

FCC ID: ZASHP500BT, IC ID: 23307-HP500BT

FCC Suppliers Declaration of Conformity for HP500BT-01, HP500BT-02 Responsible Party.

Husqvarna Professional Products, Inc. 9335 Harris Corners Parkway Suite 500 Charlotte, NC 28269 United states.

U.S. Contact Information: Michael Campbell, Manager Product Compliance, Telephone: +1 704 597 5000.

FCC Compliance Statement:

This device complies with Part 15 of the FCC Rules. Operation is subject to the following two conditions: (1) This device may not cause harmful interference, and (2) this device must accept any interference received, including interference that may cause undesired operation.

This equipment has been tested and found to comply with the limits for a Class B digital device, pursuant to part 15 of the FCC Rules. These limits are designed to provide reasonable protection against harmful interference in a residential installation. This equipment generates, uses and can radiate radio

frequency energy, and if not installed and used in accordance with the instructions, may cause harmful interference to radio communications. However, there is no guarantee that interference will not occur in a particular installation. If this equipment does cause harmful interference to radio or television reception, which can be determined by turning the equipment off and on, the user is encouraged to try to correct the interference by one or more of the following measures:

- Increase the separation between the equipment and receiver.
- Consult the dealer for help.

Marking on the product can be found if you remove the sealing ring and foam rubber insert on the right earmuff.

Contains transmitter module IC: 12246A-BM64S2

This device complies with Industry Canada license-exempt RSS standard(s). Operation is subject to the

following two conditions: (1) this device may not cause interference, and (2) this device must accept any interference, including interference that may cause undesired operation of the device.

Under Industry Canada regulations, this radio transmitter may only operate using an antenna of a type and maximum (or lesser) gain approved for the transmitter by Industry Canada. To reduce potential radio interference to other users, the antenna type and its gain must be so chosen that the equivalent isotropically radiated power (e.i.r.p.) is not more than that necessary for successful communication.

Marking on the product can be found if you remove the sealing ring and foam rubber insert on the right earmuff.

Registered trademarks

The *Bluetooth*[®] word mark and logos are registered trademarks owned by *Bluetooth SIG, inc.* and any use of such marks by Husqvarna is under license.

Safety

Safety definitions

Warnings, cautions and notes are used to point out specially important parts of the manual.



WARNING: Used if there is a risk of injury or death for the operator or bystanders if the instructions in the manual are not obeyed.



CAUTION: Used if there is a risk of damage to the product, other materials or the adjacent area if the instructions in the manual are not obeyed.

Note: Used to give more information that is necessary in a given situation.

General safety



WARNING: Read the warning instructions that follow before you use the product.

- Use and save these instructions.
- For optimal fit and function, make sure that you have selected the correct product for your use.
- Do not change or remove parts on the product. Only do changes that are given in this operator's manual.
- The noise attenuation of the product will be severely impaired if you do not follow the instructions in this operator's manual. Ear-muffs, and in particular cushions, may deteriorate with use and should be

examined at frequent intervals for cracking and leakage. Refer to *Maintenance on page 10*.

- This product may be adversely affected by certain chemical substances. Further information should be sought from the manufacturer. Keep away from aggressive substances and clean the product regularly. Use a cloth with water and soap. Do not wash or put fully into water.
- All service and repair work must be done by an approved service workshop. Only use Husqvarna original spare parts.
- Never use the ear-muffs longer than 10 years from the manufacturing date stated on the packaging.
- The functionality of the product may deteriorate with battery consumption.

Safety instructions for operation

- The wearer should ensure that the ear-muffs are worn at all times in noisy environments.
- Be more careful and listen for warning signals when you use the product. The noise from warning signals can be decreased when you use the product.
- The audibility of warning signals at specific workplace may be impaired while using the entertainment facility.
- Make sure that the product is not hit during transportation and use.
- Only use the product between temperatures -20°C and +55°C. If you use the product in other temperatures, this can cause damage to the electronics, battery and mechanical parts.
- Make sure that you know how to use the product before use. Speak to your servicing dealer if there is damage on the product. Do not open the casing!

- The fitting of hygiene covers to the cushions, may affect the acoustic performance of the ear-muffs. Always use original accessories.
- Do not push the earmuffs against the helmet shell. If you do that, it can cause cracks around the side of the helmet.

(Fig. 4)

- Do not put the product in storage at temperatures above +55°C, for example on a dashboard. Do not put the product in storage at temperatures below -20°C.
- The wearer should ensure that the ear-muffs are fitted, adjusted and maintained in accordance with this operator's manual.
- The ear-muff is provided with safety-related audio input. The user should check correct operation before use. If distortion or failure is detected, the

user should refer to the manufacturer's advice for maintenance.

Battery safety

- The earmuff is provided with level-dependent attenuation. The user should check for correct operation before use. If a malfunction or fault is detected, the user should follow the manufacturer's instructions for maintenance.
- The product contains battery and electrical components that may cause ignition in flammable or explosive atmospheres. Do not use in environments where sparks may cause a fire or explosion.
- Only charge the product within temperature range 0°C to +40°C. Charging outside temperature range can damage the electronics and battery.

Assembly

Introduction



WARNING: Move your hair to the side before you assemble the product. Make sure that the sealing rings are tight against your head and around your ears before you operate the product.



CAUTION: Make sure that the cable is not twisted or has a small bend radius. Make sure that the cable can move smoothly into the opening of the helmet.

To put on the earmuffs with headband

1. Put the headband across the top of your head.
2. Move the earmuffs up or down to adjust the height. (Fig. 5)

To assemble the earmuffs to a helmet

1. Assemble the correct adapter attachment type to the helmet shell. Refer to *Approved helmets on page 11*.
2. Assemble the helmet fork on the attachment adapter. (Fig. 6)

Note: Refer to *Approved helmets on page 11* for more information about which helmet attachment is applicable to your helmet.

3. Move the earmuffs to the lowest position.
4. Lift the earmuffs out and up until they lock in standby position. (Fig. 7)
5. Do a mark on the cable.
 - a) For helmet H300, do a mark 27 cm/11 in (X) from each earmuff.
 - b) For helmet Spire Vent X, do a mark 14.5 cm/6 in (Y) from each earmuff. (Fig. 8)
6. Put the helmet attachment in the slot on the helmet. (Fig. 9)

7. Continue to assembly instructions for your approved helmet.

To assemble the earmuffs to the helmet H300

1. Release the head harness from the helmet. (Fig. 10)
2. Attach the cable to the holes with the cable ties or clips. (Fig. 11)
3. If you attach the cable with cable ties, cut the cable tie and push the cable tie lock into the side slot.
4. Make a loop of the cable and attach the head harness and neck protection. Make sure that the cable is between the helmet shell and the head harness. (Fig. 12)

To assemble the earmuffs to the helmet Spire Vent X

1. Put the cable in a loop rearward.
2. Attach the cable to the head harness with cable ties. Attach the cable tie through the backstrap of the headband.
3. Cut the cable tie.
4. Put the remaining part of the cable in a loop rearward, behind the rear headband. (Fig. 13)

To put the earmuffs in operation position

1. Put the helmet on your head.
2. Adjust the earmuffs until they are tight around your ears and tight against your head. (Fig. 14)

To put the earmuffs in standby position

- Lift the earmuffs out and up until they lock in standby position. (Fig. 15)

To put the earmuffs in parking position

1. Put the earmuffs in standby position. Refer to *To put the earmuffs in standby position on page 9*.
2. Turn the earmuffs rearward along the side of the helmet until they lock in the parking position. (Fig. 16)

To connect the boom microphone

Use a boom microphone in environments with much noise.

1. Attach the wind filter on the boom microphone.
2. Connect the boom microphone to the microphone outlet on the right earmuff. (Fig. 17)
3. Put the boom microphone 1 cm/0.4 in. (A) from your mouth.

Operation

Introduction



WARNING: Before you operate the product, you must read and understand the safety chapter.

To charge the product

1. Connect the USB-C connector on the charger cable to the outlet on the left earmuff. (Fig. 18)
2. Connect the USB connector on the charger cable to a USB charger or other USB power outlet.

Note: The output of the power outlet must be 5 V and 2 A to charge at maximum capacity.

Note: The LED indicator on the Bluetooth® button flashes slowly green when the battery is charging. The LED indicator on the Bluetooth® button is solid green when the battery is fully charged.

To start the product

- Push and hold the on/off button for 1 second.

Note: A beep sound tells you that the product is on. An audio message tells you the battery status and the quantity of devices that are connected with Bluetooth® wireless technology.

Audio message
BATTERY HIGH
BATTERY MEDIUM
BATTERY LOW
BATTERY CRITICAL

Audio message	LED indicator on the Bluetooth® button
ONE BLUETOOTH DEVICE CONNECTED	LED is blue.
TWO BLUETOOTH DEVICES CONNECTED	

To change between FM radio mode and Bluetooth® mode

- Push the mode button quickly 2 times to change between FM radio mode and Bluetooth® mode.

Note: An audio message tells you which mode you have selected. Refer to the table below.

Audio message
RADIO
BLUETOOTH

FM radio mode

In FM radio mode you get access to FM radio.

To change FM radio station

- Push and hold the volume up button or the volume down button for 1 second to change FM radio station.

Bluetooth® mode

In Bluetooth® mode you can connect your product to a device with Bluetooth® wireless technology.

To do a Bluetooth® pairing operation

1. Push and hold the Bluetooth® button for 2 seconds to start the pairing operation on your product.

Note: The pairing operation starts when you hear a beep sound and the Bluetooth® button flashes blue. The pairing operation is on for 30 seconds.

2. Start the pairing operation for Bluetooth® wireless technology on the device.
3. If it is necessary, select Husqvarna X-COM Active in the list of units on your device.

Note: An audio message tells you about the product status. Refer to the table below.

Audio message	LED indicator on the Bluetooth® button	Information
BLUETOOTH DEVICE CONNECTED	Solid blue.	The product is connected to a device with Bluetooth® wireless technology.
BLUETOOTH CONNECTION FAILED	Solid red for 2 seconds.	The product is not connected to a device with Bluetooth® wireless technology.

Note: A device with Bluetooth® wireless technology that is connected to your product, connects automatically to your product the next time the product is used with the device.

To change audio streaming

- Push and hold the volume up button for 0.5 seconds to select the next audio streaming.
- Push and hold the volume down button for 0.5 seconds to go back to the previous audio streaming.

To stop or start the audio streaming

- Push the mode button to stop or start the audio streaming.

To accept, end or dismiss a phone call

If your mobile device is connected to the product with Bluetooth® wireless technology, a signal is heard in the earmuffs when there is an incoming phone call.

- Push the mode button to accept or end the phone call.

- Push the mode button for 1 second to dismiss an incoming phone call.

Note: A beep sound tells you when the phone call is accepted or dismissed.

Audio message	Information
CALL ENDED	The phone call has ended.

To adjust the volume

- Push the volume up button or volume down button to adjust the volume. A beep sound tells you when the volume is at the minimum or maximum level.

To set to ambient sound mode

Ambient sound mode lets you hear the sounds around you.

- Push the ambient sound button.

Note: An audio message tells you the status of the ambient sound mode.

Audio message
AMBIENT LEVEL HIGH
AMBIENT LEVEL MEDIUM
AMBIENT LEVEL LOW
AMBIENT LEVEL OFF

To stop the product

- Push and hold the on/off button for 1 second.

Note: An audio message tells you the battery status and the LED indicators go out. A beep sound tells you that the product is off.

To stop the product by force

- Push and hold the on/off button for 12 seconds.

Maintenance

To do maintenance on the product



CAUTION: Do not flush or put the product fully into water.



CAUTION: Spray, liquids or other cleaning agents that contain solvents and/or alcohol can decrease the protective function.



CAUTION: Use Husqvarna original spare parts.

1. Clean the product regularly. Use a cloth and a weak soap solution.
2. Do a check of the condition of the sealing rings and the foam rubber inserts before each use.
3. Replace the sealing rings and the foam rubber inserts each 6 months or more frequently if it is necessary. Make sure that the air hole on the sealing ring points down during assembly. Use the original hygiene kit that includes the sealing rings and the foam rubber inserts. Refer to www.husqvarna.com for more information about the hygiene kit. (Fig. 19)
4. Replace the membrane for the speech microphone if it is damaged.
5. Replace the wind filter for the level dependent microphone if it is damaged.
6. Replace the wind filter on the boom microphone if it is damaged.
7. Replace the Comfort Pad of the headband if it is necessary. (Fig. 20)

Note: If the earmuffs are wet on the inner side, let them dry in parking position. Refer to *To put the earmuffs in parking position on page 9.*

Transportation, storage and disposal

Transportation and storage



CAUTION: During transportation and storage, put the earmuffs in operation position to decrease wear on the plastic material.

- Put the earmuffs in operation position. Refer to *To put the earmuffs in operation position on page 8.*
- Make sure that the sealing rings are not compressed.
- Put the product in a dry and clean space.
- Keep the product away from sunlight during storage.
- Charge the battery each 6 weeks to keep the quality of the battery.

- Put the product in a safe space during transportation.

Disposal

- Obey national regulations.
- Use the local recycling system.
- The product or package of the product is not domestic waste. Recycle it at a recycling station for electrical and electronic equipment.



Accessories

Approved helmets

Use the product with the helmets below only.

Model	Helmet attachment type	Adapter graphic	Approved dimensions
Husqvarna Technical, H300	Adapter H300	(Fig. 21)	M/L
Husqvarna Spire	Adapter Spire	(Fig. 22)	L
KASK Zenith X			

Technical data

Technical data

Refer to the illustrations that follow for technical data on each product. For more technical data, refer to the technical data appendix sheet in this operator's manual.

(Fig. 2)

(Fig. 3)

For more information about the contents of the technical data, refer to the list that follows:

- F = Frequencies at which attenuation is measured.
- Mf = Mean value.
- Sf = Standard deviation.
- APV (Mf-Sf) = Assumed Protection Value.
- H = High frequency attenuation value (predicted noise level reduction for noise where $L_C - L_A = -2$ dB).
- M = Medium frequency attenuation value (predicted noise level reduction for noise where $L_C - L_A = +2$ dB).
- L = Low frequency attenuation value (predicted noise level reduction for noise where $L_C - L_A = +10$ dB).

- SNR = Single Number Rating (the value that is subtracted from the measured C-weighted sound pressure level, L_C , in order to estimate the effective A-weighted sound level inside the ear.

Responsible manufacturer: Husqvarna AB, SE-561 82 Huskvarna, Sweden, tel: +46-36-146500.

Sound level

The FM radio mode and Headset mode have a maximum equivalent sound level of 82 dB (A).

Materials

Part	Material	Part	Material
Inner ear cup	ABS	Headband	POM+TPE
Outer ear cup, left	ABS	Helmet fork	PA66GF30
Outer ear cup, right	ABS+TPE	Helmet fork spring	Steel
Inserts	PUR	Screws	Steel
Sealing rings	ABS+TPE		

Съдържание

Въведение.....	13	Транспортиране, съхранение и изхвърляне.....	19
Безопасност.....	14	Принадлежности.....	19
Монтаж.....	15	Технически данни.....	20
Операция.....	17	Приложение	229
Поддръжка.....	18		

Въведение

Описание на продукта

Продуктът X-SYNC (HP500BT-01, HP500BT-02) представлява средство за защита на слуха с вградена пълна дуплексна комуникация, *Bluetooth®*

Общ преглед на продукта

(Фиг. 1)

1. Бутон за околен звук
2. Микрофон, зависим от нивото
3. Бутон Bluetooth®
4. Микрофон за говор
5. Бутон за режим
6. USB-C изход за кабел на зарядно устройство
7. Бутон за увеличаване на силата на звука
8. Бутон за намаляване на силата на звука
9. Бутон за вкл./изкл.
10. Изход за насочен микрофон

Съответствие и одобрения

С настоящото Husqvarna AB, SE-561 82 Huskvarna, Sweden, tel: +46-36-146500, декларира, че радиооборудването, тип HP500BT-01 и HP500BT-01, е в съответствие с 2014/53/EU, 2011/65/EU и регламент (EU) 2016/425. Регламент 2016/425 относно личните предпазни средства, с изменения, за да се прилага във Великобритания. Пълният текст на декларацията за съответствие на ЕС и декларацията за съответствие на Великобритания е на разположение на следния интернет адрес: www.husqvarna.com; търсете X-SYNC, HP500BT-01, HP500BT-02.

Стойностите за заглушаване и нивата на шума на продукта са тествани и одобрени съгласно стандарти: EN 352-1:2020 (лента за глава), EN 352-3:2020 (за поставена каска), EN 352-4:2020, EN 352-6:2020 и EN 352-8:2020.

Нотифициран орган, участвал в оценката за съответствие, е: Номер на нотифициран орган 1974. PZT GmbH, Bismarckstraße 264 B, 26389 Wilhelmshaven, Germany.

Номер на одобрен орган в Обединеното кралство 0321. SATRA Technology Centre, Wyndham Way,

безжична технология и FM радио. Моделът HP500BT-01 представлява средство за защита на слуха с лента за глава, а моделът HP500BT-02 представлява средство за защита на слуха за каска. Продуктът осигурява защита от вреден шум.

Telford Way, Kettering, Northamptonshire, NN16 8SD, UK.

Сертификация и мониторинг от PZT.

Акумулаторната батерия е сертифицирана съгласно IEC62133, издание 2.



UK Importer:
Husqvarna UK Ltd
Preston Road, Co. Durham
DL5 6UP

ИД на FCC: ZASHP500BT, ИД на IC: 23307-HP500BT

Декларация за съответствие на FCC доставчиците отговорната страна HP500BT-01, HP500BT-02.

Husqvarna Professional Products, Inc. 9335 Harris Corners Parkway Suite 500 Charlotte, NC 28269 САЩ.

Информация за контакт за САЩ: Michael Campbell, мениджър по съответствие на продуктите, телефон: +1 704 597 5000.

Декларация за съответствие на FCC:

Това устройство е в съответствие с част 15 от правилата на FCC. Използването е обект на следните две условия: (1) Това устройство не може да причинява вредни смущения; и (2) това устройство трябва да приема всякакви получени

смущения, включително такива, които може да причинят нежелана работа.

Това оборудване е изпитано и е установено, че съответства на ограниченията за цифрови устройства от клас В съгласно част 15 от правилата на FCC. Тези ограничения са предназначени да осигурят разумна защита срещу вредни смущения при инсталация в жилищна зона. Това оборудване генерира, използва и може да излъчва радиочестотна енергия и ако не се монтира и използва в съответствие с инструкциите, може да причини вредни смущения на радиокомуникациите. Въпреки това няма гаранция, че при дадена инсталация няма да възникнат смущения. Ако това оборудване причинява вредни смущения при приемането на радио- или телевизионни сигнали, нещо, което може да се установи чрез изключване и включване на оборудването, потребителят се приканва да се опита да коригира смущенията чрез една или повече от следните мерки:

- Увеличаване на разстоянието между оборудването и приемника.
- Консултирайте се с дилъра за помощ.

Маркировката на продукта може да бъде открита, ако отстраните уплътнителния пръстен и гумената вложка с пяна от десния шумозаглушител.

Съдържа предавателен модул IC: 12246A-VM64S2

Това устройство е в съответствие със стандарта(ите) на министерството на промишлеността на Канада

за свободните от лицензиране радиоустройства. Използването е обект на следните две условия: (1) това устройство не трябва да предизвиква смущения; и (2) устройството трябва да издържа на смущения, включително такива, които могат да причинят нежелана работа на устройството.

Според разпоредбите на министерството на промишлеността на Канада този радиопредавател може да работи само чрез конкретен тип антена и максимален (или по-малък) коефициент на усилване, одобрен за предавателя от министерството на промишлеността на Канада. За намаляване на потенциалните радиосмущения за други потребители типът на антената и коефициентът на усилване трябва да бъдат избрани така, че еквивалентната изотропно излъчена мощност (е.и.г.р.) да не бъде повече от необходимата за успешна комуникация.

Маркировката на продукта може да бъде открита, ако премахнете опорния пръстен и вложката от пореста гума от десния шумозаглушител.

Регистрирани търговски марки

Словесният знак и логата на *Bluetooth®* са регистрирани търговски марки, собственост на *Bluetooth SIG, inc.*, и всяко използване на тези марки от Husqvarna е лицензирано.

Безопасност

Дефиниции за безопасност

Предупреждения, знаци за внимание и бележки се използват за указване на особено важни части на инструкцията.



ПРЕДУПРЕЖДЕНИЕ: Използва се, ако има опасност от нараняване или смърт за оператора или за околните, ако не се спазват инструкциите в ръководството.



ВНИМАНИЕ: Използва се, ако има опасност от повреждане на машината, други материали или съседната зона, ако не се спазват инструкциите в ръководството.

Забележка: Използва се за предоставяне на повече информация, която е необходима в дадена ситуация.

Обща безопасност



ПРЕДУПРЕЖДЕНИЕ: Прочетете следващите предупредителни инструкции, преди да използвате продукта.

- Използвайте и запазете тези инструкции.
- За оптимално прилягане и функционалност се уверете, че сте избрали правилния продукт за Вашата цел.
- Не променяйте и не отстранявайте части от продукта. Извършвайте единствено промени, които са посочени в това ръководство за оператора.
- Заглушаването на шума, осигурено от продукта, ще бъде сериозно нарушено, ако не следвате инструкциите в това ръководство за оператора. Качествата на шумозаглушителите, и в частност възглавничките, може да се влошат с експлоатацията и те трябва да се преглеждат на чести интервали за напукване и течове. Направете справка с *Поддръжка на страница 18*.

- Този продукт може да бъде повреден от определени химични вещества. Трябва да потърсите допълнителна информация от производителя. Дръжте далеч от агресивни вещества и почиствайте продукта редовно. Използвайте кърпа, вода и сапун. Не мийте и не потапяйте във вода.
- Всякакви работи по обслужването и ремонта трябва да се извършват от одобрен сервиз. Използвайте само оригинални резервни части на Husqvarna.
- Никога не използвайте шумозаглушителите повече от 10 години след датата на производство, обозначена върху опаковката.
- Функционалността на продукта може да се влоши с изразходването на енергията на акумулаторната батерия.

Инструкции за безопасност за работа

- Потребителят винаги трябва да носи шумозаглушители в шумна среда.
- Бъдете по-внимателни и нащрек за предупредителни сигнали, когато използвате продукта. Звукът от предупредителни сигнали може да бъде намален, когато използвате продукта.
- Възможността за чуване на предупредителни сигнали на определено работно място може да се наруши при използване на функцията за развлечение.
- Уверете се, че продуктът не се удря по време на транспортиране и употреба.
- Използвайте продукта само между температури от -20°C и $+55^{\circ}\text{C}$. Ако използвате продукта при други температури, това може да причини повреда на електрониката, акумулаторната батерия и механичните части.
- Уверете се, че знаете как да използвате продукта преди употреба. Обърнете се към Вашия сервизен дилър, ако по продукта съществува повреда. Не отваряйте корпуса!
- Поставянето на хигиенните покрития на възглавничките може да се отрази

на акустичната производителност на шумозаглушителите. Винаги използвайте оригинални принадлежности.

- Не натискайте шумозаглушителите към повърхността на каската. Ако го направите, това може да причини образуването на пукнатини по страничната част на каската.

(Фиг. 4)

- Не оставяйте продукта на съхранение при температури над $+55^{\circ}\text{C}$, например на арматурно табло. Не оставяйте продукта на съхранение при температури под -20°C .
- Потребителят трябва да се увери, че шумозаглушителите са поставени, регулирани и поддържани в съответствие с това ръководство за оператора.
- Шумозаглушителят е снабден с обезопасен аудиовход. Потребителят трябва да провери дали продуктът работи правилно преди употреба. Ако се открие неизправност или повреда, потребителят трябва да направи справка със съветите на производителя за техническо обслужване.

Безопасност на акумулаторната батерия

- Шумозаглушителят е снабден със заглушаване, зависимо от нивото. Потребителят трябва да провери дали продуктът работи правилно преди употреба. Ако се открие неизправност или повреда, потребителят трябва да следва инструкциите на производителя за техническо обслужване.
- Продуктът съдържа акумулаторна батерия и електрически компоненти, които може да причинят запалване в запалими или експлозивни атмосфери. Не използвайте в среди, където искрите може да причинят избухването на пожар или експлозия.
- Зареждайте продукта само в рамките на температурния диапазон от 0°C до $+40^{\circ}\text{C}$. Зареждането извън този температурен диапазон може да нанесе щети върху електрониката и акумулаторната батерия.

Монтаж

Въведение



ПРЕДУПРЕЖДЕНИЕ: Отметете косата си настрана, преди да монтирате продукта. Уверете се, че опорните пръстени са плътно прилегнали към главата и около ушите Ви, преди да работите с продукта.

За поставяне на шумозаглушителите с лента за глава

1. Поставете лентата за глава на горната част на главата си.
2. Преместете шумозаглушителите нагоре или надолу, за да регулирате височината. (Фиг. 5)

За монтиране на шумозаглушителите към каска

1. Монтирайте правилния тип адаптер за приставка към корпуса на каската. Направете справка с *Одобрени каски на страница 19*.
2. Монтирайте вилката за каска към адаптера за приставка. (Фиг. 6)

Забележка: Направете справка с *Одобрени каски на страница 19* за повече информация относно приставката за каска, която е приложима за Вашата каска.

3. Преместете шумозаглушителите до най-ниското положение.
4. Повдигнете шумозаглушителите навън и нагоре, докато се заключат в положение на готовност. (Фиг. 7)
5. Поставете маркировка на кабела.
 - a) За каска H300 поставете маркировка на 27 cm/11 in (X) от всеки шумозаглушител.
 - b) За каска Spire Vent X поставете маркировка на 14,5 cm/6 in (Y) от всеки шумозаглушител. (Фиг. 8)
6. Поставете приставката за каска в жлеба на каската. (Фиг. 9)
7. Преминете към инструкциите за монтиране за Вашата одобрена каска.



ВНИМАНИЕ: Уверете се, че кабелът не е усукан и че няма малък радиус на огъване. Уверете се, че кабелът може да се движи свободно в отвора на каската.

Монтиране на шумозаглушителите към каската H300

1. Освободете самара за глава от каската. (Фиг. 10)
2. Закрепете кабела към отворите с кабелните връзки или щипки. (Фиг. 11)
3. Ако закрепите кабела с кабелни връзки, отрежете кабелната връзка и натиснете закопчалката на кабелната връзка в страничния слот.
4. Направете контур с кабела и закрепете самара за глава и предпазителя за врата. Уверете се, че кабелът е между повърхността на каската и самара за глава. (Фиг. 12)

Монтиране на шумозаглушителите към каската Spire Vent X

1. Прокарайте кабела по задния контур.
2. Закрепете кабела към самара за глава с кабелни връзки. Закрепете кабелната връзка през задния ремък на лентата за глава.
3. Срежете кабелната връзка.
4. Прокарайте останалата част от кабела по задния контур, зад задната лента за глава. (Фиг. 13)

За задаване на шумозаглушителите в положение за работа

1. Поставете каската на главата си.
2. Регулирайте шумозаглушителите, докато не прилегнат плътно около ушите и към главата Ви. (Фиг. 14)

За поставяне на шумозаглушителите в положение за готовност

- Повдигнете шумозаглушителите навън и нагоре, докато се заключат в положение на готовност. (Фиг. 15)

За поставяне на шумозаглушителите в положение за престой

1. Поставете шумозаглушителите в положение за готовност. Направете справка с *За поставяне на шумозаглушителите в положение за готовност на страница 16*.
2. Завъртете шумозаглушителите назад по страничната част на каската, докато не се блокират в положение за престой. (Фиг. 16)

За свързване на насочения микрофон

Използвайте насочен микрофон в среди с много шум.

1. Закрепете противовятърния филтър към насочения микрофон.
2. Свържете насочения микрофон към изхода за микрофон на десния шумозаглушител. (Фиг. 17)
3. Поставете насочения микрофон на 1 cm/0,4 in (A) от устата си.

Операция

Въведение



ПРЕДУПРЕЖДЕНИЕ: Преди работа с продукта трябва да прочетете и разберете главата за безопасност.

За зареждане на продукта

1. Свържете USB-С конектора на кабела на зарядното устройство към изхода на левия шумозаглушител. (Фиг. 18)
2. Свържете USB конектора на кабела на зарядното устройство към USB зарядно устройство или друг USB захранващ контакт.

Забележка: Изходът на захранващия контакт трябва да бъде 5 V и 2 A, за да се зарежда при максимален капацитет.

Забележка: Светодиодният индикатор на бутона Bluetooth® мига бавно в зелено, когато акумулаторната батерия се зарежда. Светодиодният индикатор на бутона Bluetooth® свети непрекъснато в зелено, когато акумулаторната батерия е напълно заредена.

За стартиране на продукта

- Натиснете и задръжте бутона за вкл./изкл. за 1 секунда.

Забележка: Звук сигнал Ви уведомява, че продуктът е включен. Аудиосообщение Ви уведомява за състоянието на акумулаторната батерия и количеството устройства, които са свързани с Bluetooth® безжична технология.

Аудиосообщение
BATTERY HIGH
BATTERY MEDIUM
BATTERY LOW
BATTERY CRITICAL

Аудиосообщение	Светодиоден индикатор на бутона Bluetooth®
ONE BLUETOOTH DEVICE CONNECTED	Светодиодът свети в синьо.
TWO BLUETOOTH DEVICES CONNECTED	

За превключване между режим на FM радио и режим Bluetooth®

- Натиснете бързо бутона за режим 2 пъти, за да превключите между режим на FM радио и режим Bluetooth®.

Забележка: Аудиосообщение Ви уведомява за това кой режим сте избрали. Направете справка с таблицата по-долу.

Аудиосообщение
RADIO
BLUETOOTH

Режим за FM радио

В режим за FM радио получавате достъп до FM радио.

За смяна на FM радиостанция

- Натиснете и задръжте бутона за увеличаване или намаляване на силата на звука за 1 секунда, за да промените FM радиостанцията.

Режим Bluetooth®

В режима Bluetooth® можете да свържете продукта си към устройство с Bluetooth® безжична технология.

За извършване на операция по сдвояване на Bluetooth®

1. Натиснете и задръжте бутона Bluetooth® за 2 секунди, за да стартирате операцията по сдвояване на продукта си.

Забележка: Операцията по сдвояване стартира, когато чуе звук сигнал и бутонът Bluetooth® започне да мига в синьо. Операцията по сдвояване е активна за 30 секунди.

2. Стартирайте операцията по сдвояване за Bluetooth® безжична технология на устройството.
3. Ако е необходимо, изберете Husqvarna X-COM Active от списъка с елементи на устройството си.

Забележка: Аудиосообщение Ви уведомява за състоянието на продукта. Направете справка с таблицата по-долу.

Аудиосъобщение	Светодиоден индикатор на бутона Bluetooth®	Информация
BLUETOOTH DEVICE CONNECTED	Непрекъсната синя светлина.	Продуктът е свързан към устройство с Bluetooth® безжична технология.
BLUETOOTH CONNECTION FAILED	Непрекъсната червена светлина за 2 секунди.	Продуктът не е свързан към устройство с Bluetooth® безжична технология.

Забележка: Устройство с Bluetooth® безжична технология, което е свързано към продукта Ви, се свързва автоматично към него следващия път, в който продуктът се използва с устройството.

За промяна на поточно аудио предаване

- Натиснете и задръжте бутона за увеличаване на силата на звука за 0,5 секунди, за да изберете следващото поточно аудио предаване.
- Натиснете и задръжте бутона за намаляване на силата на звука за 0,5 секунди, за да се върнете към предишното поточно аудио предаване.

За спиране или стартиране на поточно аудио предаване

- Натиснете бутона за режим, за да спрете или стартирате поточното аудио предаване.

За приемане, прекратяване или отхвърляне на телефонно обаждане

Ако Вашето мобилно устройство е свързано към продукта с Bluetooth® безжична технология, когато има входящо телефонно обаждане, в шумозаглушителите се чува сигнал.

- Натиснете бутона за режим, за да приемете или прекратите телефонното обаждане.
- Натиснете бутона за режим за 1 секунда, за да отхвърлите входящо телефонно обаждане.

Забележка: Звуков сигнал Ви уведомява кога телефонното обаждане е прието или отхвърлено.

Аудиосъобщение	Информация
CALL ENDED	Телефонното обаждане е приключило.

За регулиране на силата на звука

- Натиснете бутона за увеличаване или намаляване на силата на звука за регулиране на силата на звука. Звуков сигнал Ви уведомява, когато силата на звука е на минимално или максимално ниво.

За задаване на режим за околнен звук

Режимът за околнен звук Ви позволява да чувате звуците около Вас.

- Натиснете бутона за околнен звук.

Забележка: Аудиосъобщение Ви уведомява за състоянието на режима за околнен звук.

Аудиосъобщение
AMBIENT LEVEL HIGH
AMBIENT LEVEL MEDIUM
AMBIENT LEVEL LOW
AMBIENT LEVEL OFF

За спиране на продукта

- Натиснете и задръжте бутона за вкл./изкл. за 1 секунда.

Забележка: Аудиосъобщение Ви уведомява за състоянието на акумулаторната батерия и светодиодните индикатори изгасват. Звуков сигнал Ви уведомява, че продуктът е изключен.

За принудително спиране на продукта

- Натиснете и задръжте бутона за вкл./изкл. за 12 секунди.

Поддръжка

За извършване на техническо обслужване на продукта



ВНИМАНИЕ: Не промивайте и не потапяйте продукта във вода.



ВНИМАНИЕ: Спрейове, течности и други почистващи препарати, съдържащи разтворители и/или алкохол, могат да намалят защитните функции.



ВНИМАНИЕ: Използвайте оригинални резервни части на Husqvarna.

1. Почиствайте редовно продукта. Използвайте кърпа и слаб сапунен разтвор.
2. Извършете проверка на състоянието на уплътнителните пръстени и гумените вложки с пяна преди всяка употреба.
3. Сменяйте уплътнителите пръстени и гумените вложки с пяна на всеки 6 месеца или по-често, ако е необходимо. Уверете се, че отворът за въздух на уплътнителния пръстен сочи надолу по време на монтирането. Използвайте оригиналния хигиенен комплект, който включва уплътнителните пръстени и гумените вложки с пяна. Направете справка с www.husqvarna.com за повече информация относно хигиенния комплект. (Фиг. 19)

Забележка: Ако шумозаглушителите са мокри от вътрешната страна, ги оставете да изсъхнат в положение за престой. Направете справка с *За поставяне на шумозаглушителите в положение за престой на страница 16.*

4. Сменете мембраната на микрофона за говор, ако е повредена.
5. Сменете противовятърния филтър на микрофона, зависим от нивото, ако е повреден.
6. Сменете противовятърния филтър на насочения микрофон, ако е повреден.
7. Сменете подложката за удобство на лентата за глава, ако е необходимо. (Фиг. 20)

Транспортиране, съхранение и изхвърляне

Транспорт и съхранение



ВНИМАНИЕ: По време на транспортиране и съхранение поставете шумозаглушителите в работно положение, за да намалите износването на пластмасовия материал.

- Поставете шумозаглушителите в положение за работа. Направете справка с *За задаване на шумозаглушителите в положение за работа на страница 16.*
- Уверете се, че уплътнителните пръстени не са притиснати.
- Поставете продукта на сухо и чисто място.
- Дръжте продукта далеч от слънчева светлина по време на съхранение.

- Зареждайте акумулаторната батерия на всеки 6 седмици за запазване на качествата ѝ.
- Поставете продукта на безопасно място по време на транспортиране.

Изхвърляне

- Спазвайте националните регламенти.
- Използвайте местната система за рециклиране.
- Продуктът или опаковката на продукта не е битов отпадък. Рециклирайте го в станция за рециклиране за електрическо и електронно оборудване.



Принадлежности

Одобрени каски

Използвайте продукта само с каските по-долу.

Модел	Тип на приставката за каска	Схема на адаптера	Одобрени размери
Husqvarna Technical, H300	Адаптер H300	(Фиг. 21)	M/L
Husqvarna Spire	Адаптер Spire	(Фиг. 22)	L
KASK Zenith X			

Технически данни

Технически характеристики

Направете справка със следните илюстрации за техническите характеристики на всеки продукт. За

(Фиг. 2)

(Фиг. 3)

За повече информация относно съдържанието на техническите характеристики направете справка със следния списък:

- F = честоти, при които се измерва заглушаването.
- Mf = средна стойност.
- Sf = стандартно отклонение.
- APV (Mf-Sf) = предполагаема стойност на защита.
- H = височестотна стойност на заглушаване (прогнозно намаляване на нивото на шума за шум, при който $L_C - L_A = -2$ dB). M = средночестотна стойност на заглушаване (прогнозно намаляване на нивото на шума за шум, при който $L_C - L_A = +2$ dB). L = нисочестотна стойност на заглушаване

повече технически данни направете справка с листа с допълнение за техническите характеристики в това ръководство за оператора.

(прогнозно намаляване на нивото на шума за шум, при който $L_C - L_A = +10$ dB).

- SNR = единична номинална стойност (стойността, която се изважда от измереното C-претеглено ниво на звуково налягане, L_C , за да се оцени ефективното A-претеглено звуково ниво вътре в ухото).

Отговорен производител: Husqvarna AB, SE-561 82 Huskvarna, Швеция, тел.: +46-36-146500.

Ниво на шум

Режимът за FM радио и режимът за слушалки разполагат с максимално еквивалентно ниво на шума от 82 dB (A).

Материали

Част	Материал	Част	Материал
Вътрешна чашка за ухо	ABS	Лента за глава	POM+TPE
Външна чашка за ухо, лява	ABS	Фиксатор на каската	PA66GF30
Външна чашка за ухо, дясна	ABS + TPE	Пружина на фиксатора на каската	Стомана
Вложки	ЛИЛАВО	Винтове	Стомана
Опорни пръстени	ABS + TPE		

Sadržaj

Uvod.....	21	Transport, skladištenje i odbacivanje.....	26
Sigurnost.....	22	Pribor.....	26
Sastavljanje.....	23	Tehnički podaci.....	27
Rukovanje.....	24	Dodatak	229
Održavanje.....	26		

Uvod

Opis proizvoda

Proizvod X-SYNC (HP500BT-01, HP500BT-02) je zaštićena sluha koja ima integriranu potpunu dvosmjernu komunikaciju, *Bluetooth® bežičnu tehnologiju* i FM radio.

Pregled proizvoda

(Sl. 1)

1. Dugme za ambijentalni zvuk
2. Mikrofon ovisan o nivou
3. Dugme Bluetooth®
4. Mikrofon za govor
5. Dugme za način rada
6. Utičnica za USB-C kabl punjača
7. Dugme za povećavanje jačine zvuka
8. Dugme za smanjivanje jačine zvuka
9. Dugme za uključivanje/isključivanje
10. Utičnica za teleskopski mikrofon

Usklađenost s propisima i odobrenja

Ovime, Husqvarna AB, SE-561 82 Huskvarna, Sweden, tel: +46-36-146500, izjavljuje da je radijska oprema vrste HP500BT-01 i da je HP500BT-01 u skladu s 2014/53/EU, 2011/65/EU i uredbom (EU) 2016/425. Uredba 2016/425 o ličnoj zaštitnoj opremi, s izmjenama i dopunama za primjenu u Velikoj Britaniji. Cjeloviti tekst izjave o usklađenosti za EU i Izjave o usklađenosti za UK dostupan je na sljedećoj internetskoj adresi: www.husqvarna.com; pretražite X-SYNC, HP500BT-01, HP500BT-02.

Vrijednosti prigušenja i nivou buke testirani su i odobreni u skladu sa sljedećim standardima: EN 352-1:2020 (traka za glavu), EN 352-3:2020 (postavljeno na kacigi), EN 352-4:2020, EN 352-6:2020 i EN 352-8:2020.

Prijavljeno tijelo uključeno u procjenu usklađenosti je: Broj prijavljenog tijela 1974. PZT GmbH, Bismarckstraße 264 B, 26389 Wilhelmshaven, Germany.

Broj ovlaštenog tijela za UK 0321. SATRA Technology Centre, Wyndham Way, Telford Way, Kettering, Northamptonshire, NN16 8SD, UK.

Certifikacija i praćenje od strane PZT-a.

Baterija je certificirana u skladu sa standardom IEC62133, izdanje 2.

Model HP500BT-01 predstavlja zaštitu sluha s trakom za glavu, dok je model HP500BT-02 zaštićena sluha za nošenje na zaštitnoj kacigi. Proizvod pruža zaštitu od štetne buke.



UK Importer:
Husqvarna UK Ltd
Preston Road, Co. Durham
DL5 6UP

FCC ID: ZASHP500BT, IC ID: 23307-HP500BT

Izjava FCC dobavljača o usklađenosti za HP500BT-01, HP500BT-02 Odgovorna strana.

Husqvarna Professional Products, Inc. 9335 Harris Corners Parkway Suite 500 Charlotte, NC 28269, Sjedinjene Države.

Kontakt informacije za SAD: Michael Campbell, Menadžer odjela za usklađenost proizvoda, Telefon: +1 704 597 5000.

FCC Izjava o usklađenosti:

Ovaj uređaj usklađen je s Dijelom 15 FCC pravila. Rad uređaja podliježe dvama uslovima: (1) ovaj uređaj ne smije izazivati štetne smetnje i (2) ovaj uređaj mora prihvatiti sve smetnje koje prima, uključujući smetnje koje mogu izazvati neželjen način rada.

Ova oprema je testirana i usklađena s ograničenjima za digitalne uređaje Klase B, prema Članu 15 FCC propisa. Ova ograničenja sastavljena su kako bi se osigurala odgovarajuća zaštita od štetnih smetnji pri kućnoj instalaciji. Ova oprema generira, koristi i može zračiti energiju na radijskim frekvencijama i ako se ne

instalira i ne koristi u skladu s uputama, može uzrokovati štetne smetnje u radijskoj komunikaciji. Međutim, ne može se garantirati da kod određene instalacije neće doći do smetnji. Ako oprema zaista uzrokuje štetne smetnje pri radijskom ili televizijskom prijemu, a to se može odrediti uključivanjem i isključivanjem opreme, korisniku se preporučuje sprečavanje smetnji pomoću sljedećih mjera:

- Povećajte razmak između opreme i prijemnika.
- Posavjetujte se s distributerom.

Oznaku na proizvodu možete pronaći ako uklonite zaptivni prsten i pjenasti gumeni umetak na desnom štitniku za uši.

Sadržaj modula predajnika IC: 12246A-BM64S2

Ovaj uređaj usklađen je sa RSS standardom (ima) organizacije Industry Canada o oslobađanju od licenciranja. Rad uređaja podliježe dvama uslovima: (1) ovaj uređaj ne smije izazivati smetnje i (2) ovaj uređaj

mora prihvatiti sve smetnje, uključujući smetnje koje mogu izazvati neželjen način rada uređaja.

Prema propisima organizacije Industry Canada, ovaj radio predajnik može raditi jedino koristeći tip antene i maksimum (ili manje) pojačanja koje Industry Canada odobrava za predajnike. Kako bi se smanjile potencijalne radijske smetnje drugim korisnicima, tip antene i njeno pojačanje trebaju se birati tako da ekvivalentna izotropno izračena snaga (EIRP) nije veća od nužno potrebne za uspješnu komunikaciju.

Oznaku na proizvodu možete pronaći ako uklonite zaptivni prsten i pjenasti gumeni umetak na desnom štitniku za uši.

Registrirani zaštićeni znakovi

Riječ, znak i logotip *Bluetooth®* su registrirani zaštićeni znakovi u vlasništvu kompanije *Bluetooth SIG, inc.* i svako korištenje tih znakova od strane kompanije Husqvarna podliježe licenciranju.

Sigurnost

Definicije sigurnosti

Upozorenja, pozivi na oprez i napomene se koriste za isticanje naročito važnih dijelova priručnika.



UPOZORENJE: Koriste se ukoliko postoji opasnost od povrede ili smrti rukovoca ili osoba u blizini ako se uputstva iz priručnika ne poštuju.



OPREZ: Koriste se ukoliko postoji opasnost od oštećenja proizvoda, drugih materijala ili neposrednog okruženja ako se uputstva iz priručnika ne poštuju.

Napomena: Koriste se za pružanje više informacija koje su neophodne u datoj situaciji.

Opća sigurnost



UPOZORENJE: Prije upotrebe proizvoda pročitajte upozorenja u nastavku.

- Koristite ovaj priručnik i čuvajte ga.
- Da bi se ostvarile optimalna udobnost i funkcija, obavezno odaberite odgovarajući proizvod za datu upotrebu.
- Nemojte mijenjati ili uklanjati dijelove na proizvodu. Vršite samo one izmjene koje su navedene u ovom priručniku za upotrebu.
- Prigušivanje buke koje se ostvaruje primjenom proizvoda bit će bitno smanjeno ako ne slijedite upute u priručniku za upotrebu. Antifoni, a posebno

jastučici, mogu se s vremenom istrošiti i treba redovno pregledati da li imaju pukotina i curenja. Pogledajte poglavlje *Održavanje na strani 26*.

- Ovom proizvodu mogu naškoditi određene hemijske supstance. Dodatne informacije možete dobiti od proizvođača. Proizvod držite dalje od agresivnih supstanci i redovno ga čistite. Koristite krpu navlaženu vodom i sapunom. Proizvod nemojte prati i potapati u vodu.
- Sve poslove servisiranja i održavanja mora obavljati ovlaštena servisna radionica. Koristite samo originalne rezervne dijelove Husqvarna.
- Štitnike za uši nemojte koristiti duže od 10 godina od datuma proizvodnje navedenog na pakovanju.
- Funkcionalnost proizvoda može se pogoršati s potrošnjom baterije.

Sigurnosne upute za rad

- Štitnici za uši moraju se nositi prilikom svakog boravka u bučnim okruženjima.
- Budite oprezniji i pratite signale upozorenja kad koristite proizvod. Kad koristite proizvod, može biti teže razaznati buku signala upozorenja.
- Čujnost signala upozorenja na određenom radnom mjestu može biti narušena pri korištenju sklopa za zabavu.
- Pazite da proizvod ne bude izložen mehaničkim udarima tokom transportiranja i korištenja.
- Proizvod koristite samo u rasponu temperatura od -20 °C do +55 °C. Ako proizvod koristite na drugim temperaturama, može doći do oštećenja elektronike, baterije i mehaničkih dijelova.
- Prije upotrebe provjerite znate li kako se koristi proizvod. Obratite se serviseru ako na proizvodu ima oštećenja. Ne otvarajte kućište!

- Postavljanje higijenskih poklopcapca na jastučice može uticati na akustičke performanse štitnika za uši. Uvijek koristite originalni pribor.
- Ne gurajte štitnike za uši prema školjki kacige. Ako to radite, mogu nastati pukotine duž bočne stranice zaštitne kacige.

(Sl. 4)

- Nemojte držati proizvod na temperaturama iznad + 55 °C, npr. na upravljačkoj ploči. Nemojte skladištiti proizvod na temperaturama manjim od -20 °C.
- Korisnik mora osigurati da se štitnici za uši koriste, podešavaju i održavaju u skladu s korisničkim priručnikom.
- Štitnik za uši se isporučuje s audio ulazom namijenjenim za sigurnost. Korisnik prije upotrebe treba provjeriti radi li štitnik ispravno. Ukoliko se otkrije izobličenje ili kvar, korisnik treba potražiti savjete o održavanju od proizvođača.

Sigurnost baterije

- Štitnik za uši se isporučuje s prigušenjem ovisnim o nivou. Korisnik prije upotrebe treba provjeriti radi li štitnik ispravno. Ako se otkrije neispravan rad ili kvar, korisnik treba slijediti uputstva proizvođača o održavanju.
- Proizvod sadrži bateriju i električne komponente koje mogu izazvati paljenje u zapaljivim ili eksplozivnim okruženjima. Nemojte koristiti proizvod u okruženjima u kojim varnice mogu izazvati požar ili eksploziju.
- Proizvod puniti samo u temperaturnom rasponu od 0 °C do +40 °C. Punjenjem izvan tog temperaturnog raspona mogu se oštetiti elektronika i baterija.

Sastavljanje

Uvod



UPOZORENJE: Prije postavljanja proizvoda pomjerite kosu ustranu. Prije korištenja proizvoda provjerite jesu li vam zaptivni prstenovi čvrsto priprijeti uz glavu i oko ušiju.

6. Umetnite dodatak za zaštitnu kacigu u utor na kacigi. (Sl. 9)
7. Nastavite na upute za sklapanje kacige za odobrenu zaštitnu kacigu.



OPREZ: Provjerite da kabl nije uvrnut ili da ima mali radijus savijanja. Provjerite može li se kabl nesmetano pomjerati u otvoru kacige.

Stavljanje štitnika za uši s trakom za glavu

1. Stavite traku za glavu preko vrha glave.
2. Pomjerite štitnik za uši gore ili dolje kako biste podesili visinu. (Sl. 5)

Postavljanje štitnika za uši u zaštitnu kacigu

1. Sastavite odgovarajuću vrstu adaptera dodatka na školjku kacige. Pogledajte poglavlje *Odobrene zaštitne kacige na strani 26*.
2. Sastavite vilicu kacige na adapter dodatka. (Sl. 6)

Napomena: Pogledajte poglavlje *Odobrene zaštitne kacige na strani 26* za više informacija o tome koji dodatak za zaštitnu kacigu odgovara vašoj kacigi.

3. Pomjerite štitnike za uši na najniži položaj.
4. Podižite štitnike za uši prema gore dok se ne zaključaju u položaj pripravnosti. (Sl. 7)
5. Ucrtažite oznaku na traci.
 - a) Za zaštitnu kacigu H300, ucrtažite oznaku 27 cm / 11 inča (Y) od oba štitnika za uši.
 - b) Za zaštitnu kacigu Spire Vent X ucrtažite oznaku 14,5 cm / 6 inča (Y) od oba štitnika za uši. (Sl. 8)

Postavljanje štitnika za uši u zaštitnu kacigu H300

1. Otpustite pojaseve za glavu s kacige. (Sl. 10)
2. Spojite kabl na otvore pomoću trakica za stezanje ili kopči. (Sl. 11)
3. Ako spojite kabl pomoću trakica za stezanje, prerežite trakicu za stezanje i gurnite zaključani dio trake u bočni utor.
4. Napravite petlju na kابلu i povežite pojaseve za glavu i zaštitu za vrat. Provjerite je li kabl postavljen između školjke kacige i pojaseva za glavu. (Sl. 12)

Postavljanje štitnika za uši u zaštitnu kacigu Spire Vent X

1. Kabl postavite u petlju prema natrag.
2. Povežite kabl i pojaseve za glavu pomoću trakica za stezanje. Postavite trakicu za stezanje kroz stražnji dio trake za glavu.
3. Prerežite trakicu za stezanje.
4. Postavite preostali dio kabl u petlju prema nazad, iza stražnje trake za glavu. (Sl. 13)

Postavljanje štitnika za uši u radni položaj

1. Stavite kacigu na glavu.

2. Podesite štitnike za uši tako da vam stoje čvrsto preko ušiju i na glavi. (Sl. 14)

Postavljanje štitnika za uši u položaj pripravnosti

- Podižite štitnike za uši prema gore dok se ne zaključaju u položaj pripravnosti. (Sl. 15)

Postavljanje štitnika za uši u položaj za transport

1. Postavite štitnike za uši u položaj pripravnosti. Pogledajte poglavlje *Postavljanje štitnika za uši u položaj pripravnosti na strani 24*.

2. Okrećite štitnike za uši unatrag duž bočne stranice zaštitne kacige dok se ne zaključaju u položaju za transport. (Sl. 16)

Povezivanje teleskopskog mikrofona

U veoma bučnim okruženjima koristite teleskopski mikrofona.

1. Pričvrstite filter za vjetar na nosač mikrofona.
2. Povežite teleskopski mikrofona na utičnicu za mikrofona na desnom štitniku za uši. (Sl. 17)
3. Postavite teleskopski mikrofona na udaljenost od 1 cm/0,4 inča (A) od usta.

Rukovanje

Uvod



UPOZORENJE: Prije rada s proizvodom, morate s razumijevanjem pročitati poglavlje o sigurnosti.

Punjenje proizvoda

1. Povežite USB-C priključak na kابلu punjača u utičnicu na lijevom štitniku za uši. (Sl. 18)
2. Povežite USB priključak na kابلu punjača na USB punjač ili drugu USB utičnicu.

Napomena: Izlaz utičnice mora biti 5 V i 2 A za punjenje pri maksimalnom kapacitetu.

Napomena: Kada se baterija puni LED indikator na dugmetu Bluetooth® polako treperi zelenom bojom. Kada je baterija u potpunosti napunjena LED indikator na dugmetu Bluetooth® stalno svijetli zelenom bojom.

Pokretanje proizvoda

- Pritisnite i držite dugme za uključivanje/isključivanje jednu sekundu.

Napomena: Zvučni signal vas obavještava da je proizvod uključen. Zvučna poruka vas obavještava o stanju baterije i količini uređaja koji su povezani s bežičnom tehnologijom Bluetooth®.

Zvučna poruka	LED indikator na dugmetu Bluetooth®
ONE BLUETOOTH DEVICE CONNECTED	LED svjetlo je plavo.
TWO BLUETOOTH DEVICES CONNECTED	

Prebacivanje između načina rada FM Radio i načina rada Bluetooth®

- Brzo pritisnite dugme za način rada 2 puta za prebacivanje između načina rada FM Radio i načina rada Bluetooth®.

Napomena: Zvučna poruka vas obavještava o način rada koji ste odabrali. Pogledajte tabelu datu u nastavku.

Zvučna poruka
RADIO
BLUETOOTH

Način rada FM Radio

U načinu rada FM Radio imate pristup FM radiju.

Mijenjanje FM radio stanice

- Pritisnite i držite tipku za povećavanje jačine zvuka ili tipku za smanjivanje jačine zvuka 1 sekundu da promijenite FM radio stanicu.

Način rada Bluetooth®

U načinu rada Bluetooth® proizvod možete povezati s uređajem s bežičnom tehnologijom Bluetooth®.

Izvršavanje postupka uparivanja Bluetooth®

1. Pritisnite i držite dugme Bluetooth® 2 sekunde da pokrenete postupak uparivanja na svom proizvodu.

Zvučna poruka
BATTERY HIGH
BATTERY MEDIUM
BATTERY LOW
BATTERY CRITICAL

Napomena: Postupak uparivanja počinje kada čujete zvučni signal, a dugme Bluetooth® treperi plavo. Postupak uparivanja je uključen 30 sekundi.

2. Pokrenite postupak uparivanja za bežičnu tehnologiju Bluetooth® na uređaju.
3. Ako je potrebno odaberite Husqvarna X-COM Active na spisku jedinica na svom uređaju.

Napomena: Zvučna poruka vas obavještava o statusu proizvoda. Pogledajte tabelu datu u nastavku.

Zvučna poruka	LED indikator na dugmetu Bluetooth®	Informacije
BLUETOOTH DEVICE CONNECTED	Stalno plavo.	Proizvod je povezan s uređajem s bežičnom tehnologijom Bluetooth®.
BLUETOOTH CONNECTION FAILED	Stalno crveno tokom 2 sekunde.	Proizvod je povezan na uređaj s bežičnom tehnologijom Bluetooth®.

Napomena: Uređaj s bežičnom tehnologijom Bluetooth® koji je povezan s vašim proizvodom automatski će se povezati s proizvodom prilikom sljedećeg korištenja proizvoda s uređajem.

Promjena prijenosa zvuka

- Pritisnite i držite dugme za povećavanje jačine zvuka 0,5 sekundi da odaberete sljedeći prijenos zvuka.
- Pritisnite i držite dugme za smanjivanje jačine zvuka 0,5 sekundi da se vratite na prethodni prijenos zvuka.

Pokretanje ili zaustavljanje prijenosa zvuka

- Pritisnite dugme za način rada da pokrenete ili zaustavite prijenos zvuka.

Prihvatanje, završavanje ili odbijanje telefonskog poziva

Ako je vaš mobilni uređaj povezan s proizvodom s bežičnom tehnologijom Bluetooth®, u slučaju dolaznog telefonskog poziva, u štitnicima za uši se čuje signal.

- Pritisnite dugme za način rada kako biste prihvatili ili završili telefonski poziv.
- Pritisnite dugme za način rada 1 sekundu da odbijete dolazni telefonski poziv.

Napomena: Zvučni signal vas obavještava kada je telefonski poziv prihvaćen ili odbijen.

Zvučna poruka	Informacije
CALL ENDED	Telefonski poziv je završen.

Podešavanje jačine zvuka

- Pritisnite dugme za povećavanje ili dugme za smanjivanje jačine zvuka kako biste podesili jačinu zvuka. Zvučni signal vas obavještava kada je jačina zvuka na minimalnom ili maksimalnom nivou.

Postavljanje načina rada ambijentalnog zvuka

Način rada ambijentalnog zvuka vam omogućava da čujete zvukove oko sebe.

- Pritisnite dugme za ambijentalni zvuk.

Napomena: Zvučna poruka vas obavještava o statusu načina rada ambijentalnog zvuka.

Zvučna poruka
AMBIENT LEVEL HIGH
AMBIENT LEVEL MEDIUM
AMBIENT LEVEL LOW
AMBIENT LEVEL OFF

Zaustavljanje proizvoda

- Pritisnite i držite dugme za uključivanje/isključivanje jednu sekundu.

Napomena: Zvučna poruka vas obavještava o statusu baterije i LED indikatori se isključuju. Zvučni signal vas obavještava da je proizvod isključen.

Prisilno zaustavljanje rada proizvoda

- Pritisnite i držite dugme za uključivanje/isključivanje 12 sekundi.

Održavanje

Održavanje proizvoda



OPREZ: Ne ispirite proizvod i ne uranjajte ga u vodu.



OPREZ: Sprejevi, tekućine ili druga sredstva za čišćenje koja sadrže otapala i/ili alkohol mogu smanjiti zaštitnu funkciju.



OPREZ: Koristite originalne rezervne dijelove Husqvarna.

1. Redovno čistite proizvod. Koristite krpu i blagi rastvor sapuna.
2. Prije svakog korištenja provjerite stanje zaptivnih prstenova i pjenastih gumenih umetaka.
3. Zaptivne prstenove i pjenaste gumene umetke mijenjajte svakih 6 mjeseci ili češće ako je potrebno. Prilikom sklapanja pazite da otvor za zrak na zaptivnom prstenu bude okrenut prema dolje. Koristite originalni higijenski pribor koji uključuje brtvene prstenove i pjenaste gumene umetke. Za više informacija o higijenskom priboru, pogledajte www.husqvarna.com. (Sl. 19)

Napomena: Ako su štitnici za uši mokri iznutra, ostavite ih da se osuše u položaju za transport. Pogledajte poglavlje *Postavljanje štitnika za uši u položaj za transport na strani 24*.

4. Zamijenite membranu mikrofona za govor ako je oštećena.
5. Zamijenite filter za vjetar za mikrofona ovisan o nivou ako je oštećen.
6. Zamijenite filter za vjetar na teleskopskom mikrofona ako je oštećen.
7. Zamijenite udobno jastučice trake za glavu ako je potrebno. (Sl. 20)

Transport, skladištenje i odbacivanje

Transport i skladištenje



OPREZ: Tokom transporta i skladištenja, stavite štitnike za uši u radni položaj kako biste smanjili trošenje plastičnog materijala.

- Postavite štitnike za uši u radni položaj. Pogledajte poglavlje *Postavljanje štitnika za uši u radni položaj na strani 23*.
- Provjerite da zaptivni prstenovi nisu stisnuti.
- Proizvod držite u suhom i čistom prostoru.
- Držite proizvod dalje od sunčeve svjetlosti tokom skladištenja.
- Bateriju punite svakih 6 sedmica kako biste održali njen kvalitet.

- Tokom transporta proizvod stavite na sigurno mjesto.

Odlaganje

- Poštujte zakone date države.
- Koristite lokalni sistem za recikliranje.
- Proizvod ili ambalaža proizvoda ne predstavljaju kućanski otpad. Reciklirajte ga u reciklažnoj stanici za električnu i elektronsku opremu.



Pribor

Odobrene zaštitne kacige

Proizvod koristite samo s kacigama navedenim u nastavku.

Model	Vrsta dodatka za zaštitnu kacigu	Grafički prikaz adaptera	Odobrene dimenzije
Husqvarna Technical, H300	Adapter H300	(Sl. 21)	M/L
Husqvarna Spire	Adapter Spire	(Sl. 22)	L
KASK Zenith X			

Tehnički podaci

Tehnički podaci

Tehničke podatke o pojedinačnim proizvodima potražite na ilustracijama u nastavku. Više tehničkih podataka

potražite u tabeli s tehničkim podacima u dodatku u ovom korisničkom priručniku.

(Sl. 2)
(Sl. 3)

Više informacija o sadržaju tehničkih podataka potražite na spisku u nastavku:

- F = Frekvencije na kojim se mjeri prigušenje.
- Mf = Srednja vrijednost.
- Sf = Standardno odstupanje.
- APV (Mf-Sf) = Pretpostavljena vrijednost zaštite.
- H = Vrijednost prigušenja na visokoj frekvenciji (predviđeno smanjenje nivoa buke za buku kad je $L_C-L_A = -2$ dB). M = Vrijednost prigušenja na srednjoj frekvenciji (predviđeno smanjenje nivoa buke za buku kad je $L_C-L_A = +2$ dB). L = Vrijednost prigušenja na niskoj frekvenciji (predviđeno smanjenje nivoa buke za buku kad je $L_C-L_A = +10$ dB).

- SNR = jednobrojna vrijednost prigušenja (vrijednost koja se oduzima od izmjerenog nivoa C-ponderiranog zvučnog pritiska, L_C , radi procjenjivanja efektivnog A-ponderiranog nivoa zvuka unutar uha).

Odgovorni proizvođač: Husqvarna AB, SE-561 82 Huskvarna, Švedska, tel.: +46-36-146500.

Nivo jačine zvuka

Način rada FM Radio i način rada Slušalice imaju maksimalni ekvivalentni nivo jačine zvuka od 82 dB (A).

Materijali

Dio	Materijal	Dio	Materijal
Unutrašnja čašica za uši	ABS	Traka za glavu	POM+TPE
Vanjska čašica za uši, lijeva	ABS	Viljuška kacige	PA66GF30
Vanjska čašica za uši, desna	ABS+TPE	Opruga viljuške kacige	Čelik
Umeci	PUR	Vijci	Čelik
Zaptivni prstenovi	ABS+TPE		

Obsah

Úvod.....	28	Přeprava, skladování a likvidace.....	33
Bezpečnost.....	29	Příslušenství.....	33
Montáž.....	30	Technické údaje.....	34
Provoz.....	31	Příloha	229
Údržba.....	32		

Úvod

Popis výrobku

Výrobek X-SYNC (HP500BT-01, HP500BT-02) je ochrana sluchu s integrovanou plně duplexní komunikací, *bezdrátovou technologií Bluetooth®*

Popis výrobku

(Obr. 1)

1. Tlačítko okolního zvuku
2. Mikrofon závislý na úrovni
3. Tlačítko Bluetooth®
4. Hovorový mikrofon
5. Tlačítko režimu
6. Výstup kabelu nabíječky USB-C
7. Tlačítko zvýšení hlasitosti
8. Tlačítko snížení hlasitosti
9. Tlačítko Zap/Vyp
10. Výstup výklopného mikrofonu

Předpisy a schválení

Tímto společnost Husqvarna AB, SE-561 82 Huskvarna, Sweden, tel: +46-36-146500 prohlašuje, že rádiové zařízení typu HP500BT-01 a HP500BT-01 je v souladu se směrnicí 2014/53/EU, 2011/65/EU a nařízením (EU) 2016/425. Nařízení 2016/425 o osobních ochranných prostředcích ve znění pozdějších předpisů, které platí ve Spojeném království. Celé znění Prohlášení o shodě EU a Prohlášení o shodě pro Spojené království je k dispozici na následující internetové adrese: www.husqvarna.com; hledejte X-SYNC, HP500BT-01, HP500BT-02.

Hodnoty tlumení a hladiny hluku výrobku se testují a schvalují podle těchto norem: EN 352-1:2020 (náhlavní oblouk), EN 352-3:2020 (přípevnění na přílbu), EN 352-4:2020, EN 352-6:2020 a EN 352-8:2020.

Subjekt, kterému bylo předáno oznámení o tomto hodnocení shody: Číslo oznámeného subjektu 1974. PZT GmbH, Bismarckstraße 264 B, 26389 Wilhelmshaven, Germany.

Číslo oznámeného subjektu ve Spojeném království 0321. SATRA Technology Centre, Wyndham Way, Telford Way, Kettering, Northamptonshire, NN16 8SD, UK.

Certifikace a monitorování společností PZT.

a FM rádiem. Model HP500BT-01 je ochrana sluchu s náhlavním obloukem a model HP500BT-02 je ochrana sluchu určená pro přílbu. Výrobek poskytuje ochranu před škodlivým hlukem.

Baterie je certifikovaná podle normy IEC62133, 2. vydání.



UK Importer:
Husqvarna UK Ltd
Preston Road, Co. Durham
DL5 6UP

FCC ID: ZASHP500BT, IC ID: 23307-HP500BT

Prohlášení o shodě FCC dodavatelů pro HP500BT-01, HP500BT-02 Odpovědná společnost.

Husqvarna Professional Products, Inc. 9335 Harris Corners Parkway Suite 500 Charlotte, NC 28269, USA.

Kontaktní údaje USA: Michael Campbell, manažer shody výrobků, telefon: +1 704 597 5000.

Prohlášení o shodě FCC:

Zařízení vyhovuje části 15 směrnic FCC. Provoz podléhá následujícím dvěma podmínkám: (1) Toto zařízení nesmí způsobovat škodlivé rušení; a (2) toto zařízení musí přijmout jakékoli obdržené rušení včetně rušení, které může způsobit nežádoucí fungování.

Toto zařízení bylo testováno a bylo shledáno, že splňuje limity pro digitální zařízení třídy B podle části 15 předpisů FCC. Tyto limity jsou určeny k zajištění přiměřené ochrany proti škodlivému rušení instalací v obytných oblastech. Toto zařízení generuje, využívá a může vyzařovat energii rádiové frekvence a může

způsobovat škodlivé rušení rádiových komunikačních signálů, pokud není instalováno a používáno v souladu s pokyny. Není však zcela zaručeno, že nebude docházet k rušení v určitých konkrétních instalacích. Pokud toto zařízení způsobuje škodlivé rušení rádiového nebo televizního signálu, což lze určit vypnutím a zapnutím zařízení, může se uživatel pokusit eliminovat rušení jedním z následujících způsobů:

- Prodlužte vzdálenost mezi zařízením a přijímačem.
- Požádejte o pomoc prodejce.

Označení výrobku se nachází pod těsnícím kroužkem a pěnovou pryžovou vložkou na pravém náušníku.

Obsahuje modul vysílače ID: 12246A-BM64S2

Toto zařízení odpovídá standardům RSS výjimky z licence Industry Canada. Provoz podléhá následujícím dvěma podmínkám: (1) Toto zařízení nesmí způsobovat škodlivé rušení; a (2) toto zařízení musí přijmout jakékoli

obdržené rušení včetně rušení, které může způsobit nežádoucí fungování zařízení.

Podle nařízení Industry Canada může tento typ rádiového vysílače využívat pouze anténu typu a maximálního (nebo nižšího) zesílení schváleného pro vysílače organizací Industry Canada. V zájmu omezení možného rádiového rušení jiných uživatelů je nutné zvolit typ a zesílení antény, které nepřesahují hodnoty ekvivalentního izotropně vyzářeného výkonu (e. i. v. p.) nutné k zajištění komunikace.

Označení produktu se nachází pod těsnícím kroužkem a pěnovou pryžovou vložkou na pravém náušníku.

Registrované ochranné známky

Slovo a loga *Bluetooth®* jsou registrované ochranné známky vlastněné společností *Bluetooth SIG, inc.* Použití těchto značek společností Husqvarna podléhá licencí.

Bezpečnost

Definice týkající se bezpečnosti

Varování, upozornění a poznámky slouží jako upozornění na specifické důležité části návodu.



VÝSTRAHA: Používá se v případě nebezpečí úrazu nebo usmrcení obsluhy nebo okolních osob, pokud nejsou dodrženy pokyny uvedené v této příručce.



VAROVÁNÍ: Používá se v případě nebezpečí poškození výrobku, dalších materiálů či škod na majetku v blízkém okolí, pokud nejsou dodrženy pokyny uvedené v této příručce.

Povšimněte si: Používá se k poskytnutí dalších informací, které jsou nezbytné v dané situaci.

Obecná bezpečnost



VÝSTRAHA: Před použitím výrobku si přečtěte následující varování.

- Jednejte podle těchto pokynů a uchovejte si je.
- V zájmu optimálního pohodlí a fungování zkontrolujte, zda jste si vybrali vhodný výrobek pro své účely.
- Nevyměňujte ani neodstraňujte díly výrobku. Provádějte pouze změny uvedené v tomto návodu k používání.
- Tlumení hluku, které výrobek zajišťuje, může být výrazně omezeno, pokud nebudete postupovat podle pokynů v tomto návodu k používání. Chráníče

sluchu, zejména pak polštářky, se používáním opotřebávají a je třeba je pravidelně kontrolovat, zda nejsou popraskané nebo uvolněné. Viz část *Údržba na strani 32*.

- Výrobek může být negativně ovlivněn působením některých chemikálií. Další informace vám poskytne výrobce. Výrobek nesmí být vystaven agresivním látkám a je třeba jej pravidelně čistit. Použijte hadřík s vodou a mýdlem. Výrobek neoplachujte ani zcela neponořujte do vody.
- Veškerý servis a opravy musí provádět schválená servisní dílna. Používejte pouze originální náhradní díly Husqvarna.
- Chrániče sluchu nepoužívejte více než 10 let od data výroby uvedeného na obalu.
- Funkčnost výrobku se může zhoršit se spotřebou baterie.

Bezpečnostní pokyny pro provoz

- Uživatel by měl v hlučném prostředí vždy používat chrániče sluchu.
- Při používání výrobku buďte opatrní a sledujte výstražné signály. Hluk výstražných signálů se může při používání výrobku snížit.
- Slyšitelnost výstražných signálů na konkrétním pracovišti může být omezena, když uživatel používá zábavní funkci.
- Během přepravy a používání je třeba zajistit, aby se výrobek během přepravy a používání neotloukl.
- Používejte výrobek pouze v teplotním rozmezí -20 °C až $+55\text{ °C}$. Pokud jej budete používat v jiných teplotách, může dojít k poškození elektroniky, baterie a mechanických součástí.
- Před použitím je nutné vědět, jak s výrobkem zacházet. V případě poškození výrobku se obraťte na servisního prodejce. Neotevírejte kryt!

- Nasazením hygienických návléků na polštářky se mohou zhoršit akustické vlastnosti chráničů sluchu. Vždy používejte originální příslušenství.
- Netlačte chrániče sluchu proti přilbě. Pokud to uděláte, mohou vzniknout praskliny na straně přilby.

(Obr. 4)

- Neuchovávejte výrobek při teplotách nad 55 °C, například na palubní desce. Neuchovávejte výrobek při teplotách nižších než -20 °C.
- Uživatel musí zajistit, aby chrániče sluchu byly nasazeny, seřizeny a udržovány podle tohoto návodu k používání.
- Chránič sluchu je vybaven zvukovým vstupem pro účely bezpečnosti. Uživatel musí před použitím zkontrolovat správnou funkci. Pokud odhalí deformaci nebo závadu, musí postupovat podle pokynů výrobce pro údržbu.

Bezpečnostní pokyny týkající se baterií

- Chránič sluchu je vybaven tlumením závislým na úrovni. Uživatel musí před použitím zkontrolovat správnou funkci. Pokud je odhalena nesprávná funkce nebo porucha, musí uživatel postupovat podle pokynů výrobce pro údržbu.
- Výrobek obsahuje baterii a elektrické komponenty, které se mohou v hořlavém nebo výbušném prostředí vznítit. Nepoužívejte v prostředí, kde mohou jiskry způsobit požár nebo výbuch.
- Nabíjejte výrobek pouze v teplotní rozmezí 0 °C až +40 °C. Nabíjení mimo uvedený rozsah může poškodit elektroniku a baterii.

Montáž

Úvod



VÝSTRAHA: Před sestavou výrobku si odhrňte vlasy. Než začnete výrobek používat, zkontrolujte, zda těsnící kroužky pevně přiléhají k hlavě a kolem uší.



VAROVÁNÍ: Zkontrolujte, zda není kabel pokroucený nebo nemá malý poloměr ohybu. Zkontrolujte, zda může kabel snadno vstupovat do otvoru v přilbě.

Nasazení chráničů sluchu s náhlavním obloukem

1. Položte náhlavní oblouk přes horní část hlavy.
2. Posunem chráničů sluchu nahoru nebo dolů upravte výšku. (Obr. 5)

Montáž chráničů sluchu na přilbu

1. Namontujte správný typ nástavce adaptéru na skořepinu přilby. Viz část *Schválené přilby na straně 33*.
2. Namontujte vidlici přilby k adaptéru nástavce. (Obr. 6)

Povšimněte si: Viz část *Schválené přilby na straně 33* s dalšími informacemi o tom, který nástavec přilby je vhodný pro vaši přilbu.

3. Nastavte chrániče sluchu do nejnižší polohy.
4. Zvedněte chrániče sluchu směrem ven a nahoru, dokud nezaklapnou v pohotovostní poloze. (Obr. 7)
5. Udělejte značku na kabelu.
 - a) U přilby H300 udělejte značku 27 cm (X) od každého chrániče.
 - b) U přilby Spire Vent X udělejte značku 14,5 cm (Y) od každého chrániče. (Obr. 8)
6. Vložte nástavec přilby do výřezu na přilbě. (Obr. 9)
7. Pokračujte podle montážních pokynů ke schválené přilbě.

Montáž chráničů sluchu na přilbu H300

1. Uvolněte z přilby hlavový postroj. (Obr. 10)
2. Připevněte kabel do otvorů pomocí stahovacích pásků nebo spon. (Obr. 11)
3. Pokud připevňujete kabel stahovacími pásky, přeřízněte pásek a zatlačte zámek kabelové svorky do bočního výřezu.
4. Složte kabel do smyčky a připevněte hlavový postroj a ochranu krku. Zkontrolujte, zda se kabel nachází mezi skořepinou přilby a hlavovým postrojem. (Obr. 12)

Montáž chráničů sluchu na přilbu Spire Vent X

1. Vložte kabelovou smyčku dozadu.
2. Připevněte kabel k hlavovému postroji pomocí stahovacích pásků. Upevněte stahovací pásek skrz zadní pásek náhlavního oblouku.
3. Přeřízněte stahovací pásek.
4. Vložte zbývající část kabelové smyčky dozadu za zadní náhlavní oblouk. (Obr. 13)

Nastavení chráničů sluchu do provozní polohy

1. Nasaďte si přilbu na hlavu.
2. Upravte chrániče tak, aby pevně přiléhaly k uším a hlavě. (Obr. 14)

Nastavení chráničů sluchu do pohotovostní polohy

- Zvedněte chrániče sluchu směrem ven a nahoru, dokud nezaklapnou v pohotovostní poloze. (Obr. 15)

Nastavení chráničů sluchu do skladovací polohy

1. Nastavte chrániče sluchu do pohotovostní polohy. Viz část *Nastavení chráničů sluchu do pohotovostní polohy na straně 30.*
2. Otočte chrániče sluchu dozadu podél strany přílby, dokud nezapadnou do skladovací polohy. (Obr. 16)

Připojení výklopného mikrofonu

V prostředích s vysokou hladinou hluku použijte výklopný mikrofon.

1. Připevněte filtr větru na výklopný mikrofon.
2. Připojte výklopný mikrofon k výstupu mikrofonu na pravém chrániči. (Obr. 17)
3. Umístěte výklopný mikrofon 1 cm (A) od úst.

Provoz

Úvod



VÝSTRAHA: Před používáním produktu je třeba, abyste si přečetli a porozuměli kapitole o bezpečnosti.

Nabíjení výrobku

1. Připojte konektor USB-C na kabelu nabíječky do zásuvky v levém chrániči. (Obr. 18)
2. Připojte konektor USB na kabelu nabíječky k nabíječce USB nebo jiné zásuvce USB.

Povšimněte si: Výkon zásuvky musí být 5 V a 2 A pro nabíjení při maximální kapacitě.

Povšimněte si: Kontrolka LED na tlačítku Bluetooth® bliká pomalu zeleně, když se baterie nabíjí. Kontrolka LED na tlačítku Bluetooth® svítí zeleně, když je baterie zcela nabitá.

Spuštění výrobku

- Stiskněte tlačítko Zap/Vyp na 1 sekundu.

Povšimněte si: Zvukový signál oznámí, že je výrobek zapnutý. Zvuková zpráva vás informuje o stavu baterie a počtu zařízení, která jsou připojena pomocí bezdrátové technologie Bluetooth®.

Zvuková zpráva
BATTERY HIGH
BATTERY MEDIUM
BATTERY LOW
BATTERY CRITICAL

Zvuková zpráva	Kontrolka LED na tlačítku Bluetooth®
ONE BLUETOOTH DEVICE CONNECTED	Kontrolka LED je modrá.
TWO BLUETOOTH DEVICES CONNECTED	

Přepínání mezi režimem FM rádia a režimem Bluetooth®

- Rychle dvakrát stiskněte tlačítko režimu, chcete-li přepnout mezi režimem FM rádia a režimem Bluetooth®.

Povšimněte si: Zvuková zpráva vás informuje o zvoleném režimu. Viz níže uvedená tabulka.

Zvuková zpráva
RADIO
BLUETOOTH

Režim FM rádia

V režimu FM rádia máte přístup k FM rádiu.

Změna stanice FM rádia

- Stisknutím tlačítka zvýšení hlasitosti nebo tlačítka snížení hlasitosti na 1 sekundu změníte stanici FM rádia.

Režim Bluetooth®

Režim Bluetooth® umožňuje připojit výrobek k zařízení s bezdrátovou technologií Bluetooth®.

Postup párování Bluetooth®

1. Stisknutím tlačítka Bluetooth® na 2 sekundy spustíte párování na výrobku.

Povšimněte si: Párování se zahájí, jakmile uslyšíte zvukový signál a tlačítko Bluetooth® začne blikat modře. Párování je zapnuto po dobu 30 sekund.

- Spustíte párování Bluetooth® na svém zařízení.
- V případě potřeby vyberte ze seznamu jednotek na zařízení možnost Husqvarna X-COM Active.

Povšimněte si: Zvuková zpráva vás informuje o stavu výrobku. Viz níže uvedená tabulka.

Zvuková zpráva	Kontrolka LED na tlačítku Bluetooth®	Informace
BLUETOOTH DEVICE CONNECTED	Svítil modře.	Výrobek je připojen k zařízení s bezdrátovou technologií Bluetooth®.
BLUETOOTH CONNECTION FAILED	Svítil červeně po dobu 2 sekund.	Výrobek není připojen k zařízení s bezdrátovou technologií Bluetooth®.

Povšimněte si: Zařízení s bezdrátovou technologií Bluetooth® připojené k výrobku se k němu automaticky připojí, až bude výrobek příště použit v jeho blízkosti.

Změna streamování zvuku

- Stisknutím tlačítka zvýšení hlasitosti na 0,5 sekundy přejdete na další stopu streamovaného zvuku.
- Stisknutím tlačítka snížení hlasitosti na 0,5 sekundy se vrátíte na předchozí stopu streamovaného zvuku.

Zastavení nebo spuštění streamování zvuku

- Streamování zvuku můžete zastavit nebo spustit pomocí tlačítka režimu.

Přijetí, ukončení nebo odmítnutí telefonního hovoru

Je-li vaše mobilní zařízení připojeno k výrobku pomocí bezdrátové technologie Bluetooth®, ozve se při přichozím telefonním hovoru v chráničích sluchu signál.

- Pokud chcete telefonní hovor přijmout nebo ukončit, stiskněte tlačítko režimu.
- Stisknutím tlačítka režimu na 1 sekundu přichozí telefonní hovor odmítnete.

Povšimněte si: Zvukový signál informuje, když je telefonní hovor přijat nebo odmítnut.

Zvuková zpráva	Informace
CALL ENDED	Telefonní hovor byl ukončen.

Nastavení hlasitosti

- Pokud chcete upravit hlasitost, stiskněte tlačítko zvýšení nebo snížení hlasitosti. Zvukový signál informuje o dosažení minimální nebo maximální hlasitosti.

Nastavení režimu okolního zvuku

Režim okolního zvuku umožňuje slyšet zvuky kolem vás.

- Stiskněte tlačítko okolního zvuku.

Povšimněte si: Zvuková zpráva vás informuje o stavu režimu okolního zvuku.

Zvuková zpráva
AMBIENT LEVEL HIGH
AMBIENT LEVEL MEDIUM
AMBIENT LEVEL LOW
AMBIENT LEVEL OFF

Zastavení výrobku

- Stiskněte tlačítko Zap/Vyp na 1 sekundu.

Povšimněte si: Zvuková zpráva vás informuje o stavu baterie a kontrolky LED zhasnou. Zvukový signál oznámí, že je výrobek vypnutý.

Vynucené zastavení výrobku

- Stiskněte tlačítko Zap/Vyp na 12 sekund.

Údržba

Údržba výrobku



VAROVÁNÍ: Výrobek neoplachujte ani zcela neponořujte do vody.



VAROVÁNÍ: Spreje, kapaliny nebo jiné čisticí prostředky obsahující rozpouštědla nebo alkohol mohou snížit ochrannou funkci.



VAROVÁNÍ: Používejte pouze originální náhradní díly Husqvarna.

1. Výrobek pravidelně čistěte. Použijte hadřík a jemný mýdlový roztok.
2. Před každým použitím zkontrolujte stav těsnících kroužků a pěnových pryžových vložek.
3. Těsnící kroužky a pěnové pryžové vložky vyměňujte každých 6 měsíců nebo častěji, pokud to je nutné. Během montáže zkontrolujte, zda vzduchový otvor na těsnícím kroužku směřuje dolů. Použijte originální hygienickou sadu, která obsahuje těsnící kroužky a pěnové pryžové vložky. Další informace o hygienické sadě naleznete na adrese www.husqvarna.com. (Obr. 19)
4. V případě poškození vyměňte membránu pro hovorový mikrofon.
5. V případě poškození vyměňte filtr větru mikrofonu závislého na úrovni.
6. V případě poškození vyměňte filtr větru mikrofonu výklopného mikrofonu.
7. V případě potřeby vyměňte komfortní podložku náhlavního oblouku. (Obr. 20)

Povšimněte si: Pokud jsou chrániče sluchu na vnitřní straně vlhké, nechte je uschnout ve skladovací poloze. Viz část *Nastavení chráničů sluchu do skladovací polohy na strani 31*.

Přeprava, skladování a likvidace

Přeprava a skladování



VAROVÁNÍ: Během přepravy a skladování nastavte chrániče sluchu do provozní polohy, aby se snížilo opotřebení plastového materiálu.

- Nastavte chrániče sluchu do provozní polohy. Viz část *Nastavení chráničů sluchu do provozní polohy na strani 30*.
- Zkontrolujte, zda nejsou těsnící kroužky stlačené.
- Uchovávejte výrobek na suchém a čistém místě.
- Během skladování uchovávejte výrobek mimo dosah slunečních paprsků.
- V zájmu uchování kvality baterie ji nabíjejte každých 6 týdnů.

- Během přepravy zajistěte výrobku bezpečné místo.

Likvidace

- Dodržujte státní předpisy.
- Použijte místní recyklační systém.
- Výrobek ani obal výrobku nelze zlikvidovat jako domácí odpad. Odevzdejte jej ve stanici pro recyklaci elektrických a elektronických zařízení.



Příslušenství

Schválené přílby

Používejte výrobek pouze v přílbami uvedenými níže.

Model	Typ nástavce přílby	Grafika adaptéru	Schválené rozměry
Husqvarna Technical, H300	Adaptér H300	(Obr. 21)	M/L
Husqvarna Spire	Adaptér Spire	(Obr. 22)	L
KASK Zenith X			

Technické údaje

Technické údaje

Technické údaje o jednotlivých výrobcích naleznete na následujících obrázcích. Další technické údaje

(Obr. 2)

(Obr. 3)

Další informace o obsahu technických údajů jsou uvedeny v následujícím seznamu:

- F = Frekvence, při kterých se měří tlumení.
- Mf = Střední hodnota.
- Sf = Standardní odchylka.
- APV (Mf-Sf) = Předpokládaná hodnota ochrany.
- H = hodnota tlumení vysokých frekvencí (předem stanovená úroveň tlumení zvuku, kde $L_C - L_A = -2$ dB). M = hodnota tlumení středních frekvencí (předem stanovená úroveň tlumení zvuku, kde $L_C - L_A = +2$ dB). L = hodnota tlumení nízkých frekvencí (předem stanovená úroveň tlumení zvuku, kde $L_C - L_A = +10$ dB).

Materiály

Díl	Materiál	Díl	Materiál
Vnitřní náušník	ABS	Náhlavní oblouk	POM+TPE
Vnější náušník, levý	ABS	Vidlice přílby	PA66GF30
Vnější náušník, pravý	ABS+TPE	Pružina vidlice přílby	Ocel
Vložky	PUR	Šrouby	Ocel
Těsnicí kroužky	ABS+TPE		

naleznete v příloze s technickými údaji v tomto návodu k používání.

- SNR = jednočíselné hodnocení (hodnota odvozená od naměřené hodnoty tlaku zvuku prostředí C, L_C , za účelem stanovení odhadované efektivní úrovně zvuku prostředí A uvnitř ucha).

Odpovědný výrobce: Husqvarna AB, SE-561 82 Huskvarna, Švédsko, tel.: +46-36-146500.

Hladina zvuku

Režim FM rádia a náhlavní soupravy mají maximální ekvivalentní hladinu zvuku 82 dB (A).

Indhold

Indledning.....	35	Transport, opbevaring og bortskaffelse.....	40
Sikkerhed.....	36	Tilbehør.....	40
Montering.....	37	Tekniske data.....	41
Drift.....	38	Appendix.....	229
Vedligeholdelse.....	40		

Indledning

Produktbeskrivelse

Produktet X-SYNC (HP500BT-01, HP500BT-02) er et høreværn med integreret fuld duplexkommunikation,

trådløs Bluetooth®-teknologi og FM-radio. Modellen HP500BT-01 er et høreværn med bøjle, og modellen HP500BT-02 er et høreværn til hjelm. Produktet yder beskyttelse mod skadelig støj.

Produktoversigt

(Fig. 1)

1. Knappen Omgivende lyd
2. Niveauafhængig mikrofon
3. Bluetooth®-knap
4. Talemikrofon
5. Tilstandsknap
6. Udgang til USB-C-opladerkabel
7. Lydstyrke op-knap
8. Lydstyrke ned-knap
9. Tænd/sluk-knap
10. Udgang til mikrofonarm



UK Importer:
Husqvarna UK Ltd
Preston Road, Co. Durham
DL5 6UP

Overensstemmelse og godkendelser

Husqvarna AB, SE-561 82 Huskvarna, Sweden, tel: +46-36-146500, erklærer herved, at radioudstyrstypen HP500BT-01 og HP500BT-02 er i overensstemmelse med 2014/53/EU, 2011/65/EU og (EU) 2016/425-forordningen. 2016/425-forordningen om personlige værnemidler, som ændret med henblik på anvendelse i GB. Den fuldstændige tekst til EU- og UK-overensstemmelseserklæringen er tilgængelig på følgende internetadresse: www.husqvarna.com, søg efter X-SYNC, HP500BT-01, HP500BT-02.

Produktdæmpningsværdierne og støjniveauerne testes og godkendes i henhold til: EN 352-1:2020 (bøjle), EN 352-3:2020 (monteret på hjelm) EN 352-4:2020, EN 352-6:2020 og EN 352-8:2020.

Bemyndigede organer, der medvirker i overensstemmelsesvurderingen, er: Nummer for bemyndiget organ 1974. PZT GmbH, Bismarckstraße 264 B, 26389 Wilhelmshaven, Germany.

UK-nummer for godkendt organ 0321. SATRA Technology Centre, Wyndham Way, Telford Way, Kettering, Northamptonshire, NN16 8SD, UK.

Certificering og overvågning fra PZT.

Batteriet er certificeret i henhold til IEC62133 2. udgave.

FCC-id: ZASHP500BT, IC-id: 23307-HP500BT

FCC-leverandørers overensstemmelseserklæring for HP500BT-01, HP500BT-02 Ansvarlig part.

Husqvarna Professional Products, Inc. 9335 Harris Corners Parkway Suite 500 Charlotte, NC 28269 United States.

Kontaktoplysninger, USA: Michael Campbell, Manager Product Compliance, telefon: +1 704 597 5000.

Erklæring om FCC-overholdelse:

Denne enhed overholder afsnit 15 i FCC-reglerne. Betjening er underlagt følgende to betingelser: (1) Denne enhed må ikke forårsage skadelig interferens, og (2) denne enhed skal kunne tåle vilkårlig modtaget interferens, herunder interferens, der kan forårsage uønsket drift.

Dette udstyr er blevet testet og fundet i overensstemmelse med begrænsningerne for en klasse B digital enhed i henhold til kapitel 15 i FCC-reglerne. Disse begrænsninger er udformet for at yde rimelig beskyttelse mod skadelig interferens i en hjemmeinstallation. Dette udstyr genererer, bruger og kan udstråle radiofrekvensenergi. Hvis produktet ikke installeres og bruges i overensstemmelse

med brugsanvisningen, kan det forårsage skadelig interferens for radiokommunikation. Der er imidlertid ingen garanti for, at interferens ikke vil forekomme i en bestemt installation. Hvis dette udstyr forårsager skadelig interferens for radio- eller tv-modtagelse, hvilket kan fastslås ved at tænde og slukke for udstyret, opfordres brugeren til at forsøge at afhjælpe interferensen gennem en eller flere af følgende foranstaltninger:

- Øg afstanden mellem udstyret og modtageren.
- Kontakt forhandleren for at få hjælp.

Du kan finde produktets mærkning ved at fjerne tætningsringen og skumgummiindsatsen på højre høreværn.

Indeholder sendermodulet IC: 12246A-BM64S2

Denne enhed overholder Industry Canadas licens-fritagne RSS-standarder. Btjenning er underlagt følgende to betingelser: (1) Denne enhed må ikke

forårsage interferens, og (2) Denne enhed skal kunne tåle vilkårlig interferens, herunder interferens, der kan forårsage uønsket drift af enheden.

I henhold til Industry Canada-forskrifter må denne radiosender kun operere ved brug af en antenne af en type og maksimal (eller mindre) forstærkning, der er godkendt til senderen af Industry Canada. For at reducere potentiel radiointerferens for andre brugere skal antenntypen og dens forstærkning vælges således, at den tilsvarende isotropisk udstrålede effekt (e.i.r.p.) ikke er mere end det, der er nødvendigt for en vellykket kommunikation.

Mærkning på produktet kan findes, hvis du fjerner tætningsringen og skumgummiindsatsen på højre høreværn.

Registrerede varemærker

Bluetooth®-navnet og -logoerne er registrerede varemærker tilhørende *Bluetooth SIG, inc.*, og al Husqvarnas brug deraf sker på licens.

Sikkerhed

Sikkerhedsdefinitioner

Advarsler, forholdsregler og bemærkninger bruges til at pege på særligt vigtige dele af brugsanvisningen.



ADVARSEL: Bruges, hvis føreren udsætter sig selv eller omkringstående personer for risiko for personskade eller dødsfald ved tilsidesættelse af instruktionerne i brugsanvisningen.



BEMÆRK: Bruges, hvis der er risiko for skader på produktet, andre materialer eller det omgivende område ved tilsidesættelse af instruktionerne i brugsanvisningen.

Bemærk: Bruges til at give yderligere oplysninger, der er nødvendige i en given situation.

Generel sikkerhed



ADVARSEL: Læs følgende advarselsinstruktioner, inden du bruger produktet.

- Brug og opbevar disse instruktioner.
- Kontrollér, at du har valgt det rigtige produkt, så du får den optimale pasform og funktion.
- Undgå at ændre eller fjerne dele på produktet. Foretag kun ændringer, der er beskrevet i denne brugervejledning.
- Støjdæmpningen af produktet vil falde drastisk, hvis du ikke følger instruktionerne i denne

brugervejledning. Høreværnet og især puder/skum kan forringes, efterhånden som de bruges, og de bør kontrolleres jævnligt for revnedannelse og lækage. Se *Vedligeholdelse på side 40*.

- Dette produkt kan blive påvirket negativt af visse kemiske stoffer. Der skal indhentes yderligere oplysninger fra producenten. Produktet må ikke komme i nærheden af aggressive stoffer og skal rengøres regelmæssigt. Brug en klud med vand og sæbe. Produktet må ikke vaskes eller nedsænkes i vand.
- Al service og alle reparationer skal udføres af et godkendt serviceværksted. Brug kun originale Husqvarna-reservedele.
- Brug aldrig høreværnet længere end 10 år fra fremstillingsdatoen, som er angivet på emballagen.
- Produktets funktionalitet kan forringes som følge af batteriforbruget.

Sikkerhedsinstruktioner for betjening

- Brugeren skal sikre, at høreværnet altid bæres i støjende omgivelser.
- Vær forsigtig, og lyt efter advarselssignaler, når du bruger produktet. Støjen fra advarselssignaler kan reduceres, når du bruger produktet.
- Hørbarheden af advarselssignaler på visse arbejdspladser kan blive nedsat under brug af underholdningsfunktionen.
- Sørg for, at produktet ikke rammes under transport og brug.
- Brug kun apparatet i temperaturer mellem -20 °C og +55 °C. Hvis du bruger produktet i andre temperaturer, kan det medføre beskadigelse af elektronikken, batteriet og de mekaniske dele.

- Sørg for, at du ved, hvordan du bruger produktet før brug. Tal med din serviceforhandler, hvis der er skader på produktet. Åbn ikke kabinettet!
- Påsætning af hygiejnebetræk på puderne kan påvirke høreværnets akustiske egenskaber. Brug altid originalt tilbehør.
- Skub ikke høreværnet imod hjelmens skal. Hvis du gør det, kan det forårsage revner omkring siden af hjelmen.

(Fig. 4)

- Opbevar ikke produktet ved temperaturer over +55 °C, f.eks. på et dashboard. Opbevar ikke produktet ved temperaturer under -20 °C.
- Brugeren skal sikre, at høreværnet er monteret, justeret og vedligeholdt i overensstemmelse med denne brugervejledning.
- Høreværnet leveres med sikkerhedsrelateret lydindgang. Brugeren skal kontrollere, at produktet fungerer korrekt, før det tages i brug. Hvis

der konstateres forvrængning eller fejl, skal brugeren følge producentens vejledning angående vedligeholdelse.

Batterisikkerhed

- Høreværnet er udstyret med niveaufafhængig dæmpning. Brugeren skal kontrollere, at produktet fungerer korrekt, før det tages i brug. Hvis der registreres en fejlfunktion eller fejl, skal brugeren følge producentens anvisninger for vedligeholdelse.
- Produktet indeholder batteri og elektriske komponenter, som kan forårsage antændelse i brandbare eller eksplosive atmosfærer. Må ikke benyttes i omgivelser, hvor gnister kan forårsage brand eller eksplosion.
- Oplad kun produktet inden for et temperaturområde mellem 0 °C og +40 °C. Opladning uden for dette temperaturområde kan beskadige elektronikken og batteriet.

Montering

Indledning



ADVARSEL: Flyt dit hår til siden, før du samler produktet. Sørg for, at tætningsringene ligger stramt mod hovedet og omkring dine ører, før du betjener produktet.

Sådan tager du høreværnet med bøjle på

1. Placer bøjlen hen over hovedet.
2. Flyt høreværnet op eller ned for at justere højden. (Fig. 5)

Sådan monteres høreværnet til en hjelm

1. Monter den korrekte type adapterfastgørelse på hjelmens skal. Se *Godkendte hjelme på side 40*.
2. Monter hjelmgaflen på fastgørelsesadapteren. (Fig. 6)

Bemærk: Se *Godkendte hjelme på side 40* for nærmere oplysninger om, hvilken hjelmfastgørelse der passer til din hjelm.

3. Flyt høreværnet til den laveste position.
4. Løft høreværnet ud og op, indtil det låses i standbyposition. (Fig. 7)
5. Sæt et mærke på kablet.
 - a) Til hjelmen H300 skal du sætte et mærke 27 cm (Y) fra hvert høreværn.
 - b) Til hjelmen Spire Vent X skal du sætte et mærke 14,5 cm (Y) fra hvert høreværn. (Fig. 8)

6. Sæt hjelmfastgørelsen ind i åbningen på hjelmen. (Fig. 9)

7. Se monteringsanvisningen for din godkendte hjelm.



BEMÆRK: Kontrollér, at kablet ikke er bøjet eller har en lille bøjningsradius. Kontrollér, at kablet kan føres jævnt ind i åbningen på hjelmen.

Sådan monteres høreværnet til hjelmen H300

1. Løsn hovedbåndet fra hjelmen. (Fig. 10)
2. Fastgør kablet til hullerne med kabelbindere eller clips. (Fig. 11)
3. Hvis du fastgør kablet med kabelbindere, skal du skære kabelbinderen over og skubbe kabelbinderlåsen ind i sideåbningen.
4. Lav en løkke af kablet, og fastgør hovedbåndet og halsbeskyttelsen. Sørg for, at kablet er placeret mellem hjelmens skal og hovedbåndet. (Fig. 12)

Sådan monteres høreværnet til hjelmen Spire Vent X

1. Lav kablet i en bagudvendt løkke.
2. Fastgør kablet til hovedbåndet med kabelbindere. Fastgør kabelbinderen gennem bøjlels bagrem.
3. Skær kabelbinderen over.
4. Lav en bagudvendt løkke af den resterende del af kablet bag den bageste del af bøjlen. (Fig. 13)

Sådan sættes høreværnet i driftsposition

1. Sæt hjelmen på hovedet.
2. Juster høreværnet, indtil de sidder tæt omkring øret og tæt mod hovedet. (Fig. 14)

Sådan sættes høreværnet i standbyposition

- Løft høreværnet ud og op, indtil det låses i standbyposition. (Fig. 15)

Sådan sættes høreværnet i parkeringsposition

1. Sæt høreværnet i standbyposition. Se *Sådan sættes høreværnet i standbyposition på side 38*.
2. Drej høreværnet bagud langs siden af hjelmen, indtil de låses i parkeringspositionen. (Fig. 16)

Sådan tilsluttes mikrofonarmen

Brug en mikrofonarm i omgivelser med megen støj.

1. Fastgør vindfilteret på mikrofonarmen.
2. Slut mikrofonarmen til mikrofonudgangen på højre høreværn. (Fig. 17)
3. Placer mikrofonarmen 1 cm (A) fra munden.

Drift

Indledning



ADVARSEL: Før du bruger produktet, skal du læse og forstå kapitlet om sikkerhed.

Sådan oplades produktet

1. Slut USB-C-stikket på opladerkablet til udgangen på venstre høreværn. (Fig. 18)
2. Slut USB-stikket på opladerkablet til en USB-oplader eller et andet USB-strømuttag.

Bemærk: Udgangseffekten skal være 5 V og 2 A for at lade ved maksimal kapacitet.

Bemærk: LED-indikatoren på Bluetooth®-knappen blinker langsomt grønt, når batteriet oplades. LED-indikatoren på Bluetooth®-knappen lyser konstant grønt, når batteriet er fuldt opladet.

Sådan startes produktet

- Tryk på tænd/sluk-knappen, og hold den nede i 1 sekund.

Bemærk: En biplyd angiver, at produktet er tændt. En lydmeddelelse angiver batteristatus og antallet af enheder, der er forbundet ved hjælp af trådløs Bluetooth®-teknologi.

Lydmeddelelse
BATTERY HIGH
BATTERY MEDIUM
BATTERY LOW
BATTERY CRITICAL

Lydmeddelelse	LED-indikator på Bluetooth®-knappen
ONE BLUETOOTH DEVICES CONNECTED	LED-indikatoren er blå.
TWO BLUETOOTH DEVICES CONNECTED	

Sådan skifter du mellem FM-radiotilstand og Bluetooth®-tilstand

- Tryk hurtigt på tilstandsknappen 2 gange for at skifte mellem FM-radiotilstand og Bluetooth®-tilstand.

Bemærk: En lydmeddelelse angiver, hvilken tilstand du har valgt. Se nedenstående tabel.

Lydmeddelelse
RADIO
BLUETOOTH

FM-radiotilstand

I FM-radiotilstand får du adgang til FM-radio.

Sådan ændres FM-radiostation

- Tryk på Lydstyrke op-knappen eller Lydstyrke ned-knappen, og hold den nede i 1 sekund for at skifte FM-radiostation.

Bluetooth®-tilstand

I Bluetooth®-tilstand kan du forbinde dit produkt med trådløs Bluetooth®-teknologi.

Sådan foretages en Bluetooth®-parring

1. Tryk og hold nede på Bluetooth®-knappen i 2 sekunder for at starte parringsprocessen på dit produkt.

Bemærk: Parringen starter, når du hører en biplyd, og Bluetooth®-knappen blinker blåt. Parringsprocessen er aktiveret i 30 sekunder.

2. Start parring med trådløs Bluetooth®-teknologi på denne enhed.
3. Hvis det er nødvendigt, skal du vælge Husqvarna X-COM Active på listen over enheder på din enhed.

Bemærk: En lydmeddelelse angiver produktets status. Se nedenstående tabel.

Lydmeddelelse	LED-indikator på Bluetooth®-knappen	Information
BLUETOOTH DEVICE CONNECTED	Lyser blå.	Produktet er tilsluttet til en enhed med trådløs Bluetooth®-teknologi.
BLUETOOTH CONNECTION FAILED	Lyser rødt i 2 sekunder.	Produktet er tilsluttet til en enhed med trådløs Bluetooth®-teknologi.

Bemærk: En enhed med trådløs Bluetooth®-teknologi, der er knyttet til dit produkt, tilsluttes automatisk til dit produkt, næste gang produktet anvendes sammen med enheden.

Sådan ændres lydstreaming

- Tryk på Lydstyrke op-knappen, og hold den nede i 0,5 sekunder for at vælge den næste lydstreaming.
- Tryk på Lydstyrke ned-knappen, og hold den nede i 0,5 sekunder for at gå tilbage til den forrige lydstreaming.

Sådan stoppes eller startes lydstreaming

- Tryk på tilstandsknappen for at stoppe eller starte lydstreaming.

Sådan accepteres, afsluttes eller afvises et opkald

Hvis din mobilenhed er tilsluttet produktet med trådløs Bluetooth®-teknologi, høres der et signal i høreværnet, når der er et indgående telefonopkald.

- Tryk på tilstandsknappen for at acceptere eller afslutte opkaldet.
- Tryk på tilstandsknappen i 1 sekund for at afvise et indgående telefonopkald.

Bemærk: En bilyd angiver, når telefonopkaldet accepteres eller afvises.

Lydmeddelelse	Information
CALL ENDED	Telefonopkaldet er afsluttet.

Sådan justeres lydstyrken

- Tryk på Lydstyrke op-knappen eller Lydstyrke ned-knappen for at justere lydstyrken. En bilyd angiver, når lydstyrken er på minimum- eller maksimumniveau.

Sådan indstilles tilstanden for omgivende lyd

Tilstanden for omgivende lyd giver dig mulighed for at høre lydene omkring dig.

- Tryk på knappen Omgivende lyd.

Bemærk: En lydmeddelelse angiver status for tilstanden for omgivende lyd.

Lydmeddelelse
AMBIENT LEVEL HIGH
AMBIENT LEVEL MEDIUM
AMBIENT LEVEL LOW
AMBIENT LEVEL OFF

Sådan standses produktet

- Tryk på tænd/sluk-knappen, og hold den nede i 1 sekund.

Bemærk: En lydmeddelelse angiver batteristatus, og LED-indikatorerne slukker. En bilyd angiver, at produktet er slukket.

Sådan gennemtvinges en standsning af produktet

- Tryk på tænd/sluk-knappen, og hold den nede i 12 sekunder.

Vedligeholdelse

Sådan vedligeholdes produktet



BEMÆRK: Undlad at skylle eller lægge produktet i vand.



BEMÆRK: Spray, væsker eller andre rengøringsmidler, der indeholder opløsningsmidler og/eller alkohol, kan forringe beskyttelsesfunktionen.



BEMÆRK: Brug originale reservedele fra Husqvarna.

1. Rengør produktet regelmæssigt. Brug en klud med vand og en mild sæbeopløsning.
2. Kontrollér tætningsringenes og skumgummiindsatsernes tilstand før hver brug.

3. Udskift tætningsringene og skumgummiindsatserne hver 6. måned eller oftere, hvis det er nødvendigt. Sørg for, at lufthullet på tætningsringen vender nedad under samlingen. Brug det originale hygiejnesæt, der indeholder tætningsringene og skumgummiindsatserne. Se www.husqvarna.com for yderligere oplysninger om hygiejnesættet. (Fig. 19)

Bemærk: Hvis høreværnet er vådt på indersiden, skal det tørre i parkeringsposition. Se *Sådan sættes høreværnet i parkeringsposition på side 38*.

4. Udskift membranen til talemikrofonen, hvis den er beskadiget.
5. Udskift vindfilteret til den niveaufafhængige mikrofon, hvis det er beskadiget.
6. Udskift vindfilteret på mikrofonarmen, hvis det er beskadiget.
7. Udskift om nødvendigt puden på bøjlen. (Fig. 20)

Transport, opbevaring og bortskaffelse

Transport og opbevaring



BEMÆRK: Under transport og opbevaring skal høreværnet sættes i driftsposition for at mindske slitage på plastmaterialet.

- Sæt høreværnet i driftsposition. Se *Sådan sættes høreværnet i driftsposition på side 37*.
- Kontrollér, at tætningsringene ikke er trykket sammen.
- Anbring produktet på et tørt og rent sted.
- Hold produktet væk fra sollys under opbevaring.
- Oplad batteriet hver 6. uge for at opretholde kvaliteten af batteriet.

- Placer produktet et sikkert sted under transport.

Bortskaffelse

- Overhold nationale forordninger.
- Brug det lokale genanvendelsessystem.
- Produktet og produktemballagen er ikke almindeligt husholdningsaffald. Aflever det på en genbrugsstation til elektrisk og elektronisk udstyr.



Tilbehør

Godkendte hjelme

Anvend produktet med hjelme, som er angivet nedenfor.

Model	Type af hjelmfastgørelse	Adaptergrafik	Godkendte dimensioner
Husqvarna Technical, H300	Adapter H300	(Fig. 21)	M/L
Husqvarna Spire	Adapter Spire	(Fig. 22)	L
KASK Zenith X			

Tekniske data

Tekniske data

Se de medfølgende illustrationer for oplysninger om tekniske data for hvert produkt. Der findes flere

(Fig. 2)

(Fig. 3)

Yderligere oplysninger om indholdet af de tekniske data fremgår af følgende liste:

- F = frekvenser, hvor dæmpning måles.
- Mf = gennemsnitlig værdi.
- Sf = standardafvigelse.
- APV (Mf-Sf) = Antaget beskyttelsesværdi.
- H = Dæmpningsværdi ved høje frekvenser (forventet støjreduktionsniveau for støj, hvor $L_C - L_A = -2$ dB). M = Dæmpningsværdi ved mellemfrekvenser (forventet støjreduktionsniveau for støj, hvor $L_C - L_A = +2$ dB). L = Dæmpningsværdi ved lave frekvenser (forventet støjreduktionsniveau for støj, hvor $L_C - L_A = +10$ dB).

tekniske data i bilaget med tekniske data i denne brugervejledning.

- SNR = Single Number Rating (den værdi, der fratrækkes fra det målte, C-vægtede lydtrykniveau, L_C , for at kunne vurdere det effektive, A-vægtede lydniveau inde i øret).

Ansvarshavende producent: Husqvarna AB, SE-561 82 Huskvarna, Sverige, tlf.: +46-36-146500.

Lydniveau

FM-radiotilstand og Headset-tilstand har et maksimalt ækvivalent lydniveau på 82 dB (A).

Materialer

Komponent	Materiale	Komponent	Materiale
Indre ørekop	ABS	Hovedbøjle	POM+TPE
Ydre ørekop, venstre	ABS	Hjelmgauffel	PA66GF30
Ydre ørekop, højre	ABS+TPE	Hjelmgauffelfjeder	Stål
Indsatser	PUR	Skruer	Stål
Tætningsringe	ABS+TPE		

Inhalt

Einleitung.....	42	Transport, Lagerung und Entsorgung.....	48
Sicherheit.....	43	Zubehör.....	48
Montage.....	44	Technische Angaben.....	48
Betrieb.....	45	Anhang	229
Wartung.....	47		

Einleitung

Gerätebeschreibung

Bei dem Produkt X-SYNC (HP500BT-01, HP500BT-02) handelt es sich um einen Gehörschutz mit integrierter Full-Duplex-Kommunikation, *Bluetooth*[®].

Geräteübersicht

(Abb. 1)

1. Taste für Umgebungsgeräusche
2. Pegelabhängiges Mikrofon
3. Bluetooth[®]-Taste
4. Sprachmikrofon
5. Modustaste
6. USB-C-Ladeanschluss
7. Taste zum Erhöhen der Lautstärke
8. Taste zum Verringern der Lautstärke
9. On/Off-Taste
10. Bügelmikrofon-Anschluss

Konformität und Zulassungen

Hiermit erklärt Husqvarna AB SE-561 82 Huskvarna, Sweden, tel: +46-36-146500, dass die Funkanlagentypen HP500BT-01 und HP500BT-02 die Verordnungen 2014/53/EU, 2011/65/EU und (EU) 2016/425 erfüllen. Im Vereinigten Königreich gilt die Verordnung 2016/425 über persönliche Schutzausrüstung in der geänderten Fassung. Der vollständige Text der EU-Konformitätserklärung und der UK-Konformitätserklärung ist unter dieser Internetadresse verfügbar: www.husqvarna.com. Suchen Sie nach X-SYNC, HP500BT-01, HP500BT-02.

Die Gerätdämpfungswerte und Geräuschpegel werden gemäß den folgenden Verordnungen geprüft und zugelassen: EN 352-1:2020 (Kopfbügel), EN 352-3:2020 (mit Helmbefestigung), EN 352-4:2020, EN 352-6:2020 und EN 352-8:2020.

Die an der Konformitätsbewertung beteiligte benannte Prüfstelle lautet: Kennnummer der benannten Stelle: 1974. PZT GmbH, Bismarckstraße 264 B, 26389 Wilhelmshaven, Germany.

Im UK zugelassene Stelle: 0321. SATRA Technology Centre, Wyndham Way, Telford Way, Kettering, Northamptonshire, NN16 8SD, UK.

Zertifizierung und Überwachung durch PZT.

Drahtlostechnologie und einem FM-Radio. Bei dem Modell HP500BT-01 handelt es sich um einen Gehörschutz mit Kopfbügel und bei dem Modell HP500BT-02 um einen Gehörschutz für einen Helm. Das Produkt schützt vor schädlichen Geräuschpegeln.

Der Akku ist gemäß IEC62133 Ausgabe 2 zertifiziert.



UK Importer:
Husqvarna UK Ltd
Preston Road, Co. Durham
DL5 6UP

FCC-ID: ZASHP500BT, IC-ID: 23307-HP500BT

FCC Lieferanten-Konformitätserklärung für HP500BT-01, HP500BT-02 Verantwortliche Partei.

Husqvarna Professional Products, Inc. 9335 Harris Corners Parkway Suite 500 Charlotte, NC 28269 USA.

Kontaktdaten USA: Michael Campbell, Manager Product Compliance, Telefonnummer: +1 704 597 5000.

FCC-Konformitätserklärung:

Dieses Gerät entspricht Teil 15 der FCC-Bestimmungen. Der Betrieb unterliegt den beiden folgenden Bedingungen: (1) Das Gerät darf keine schädigenden Störungen verursachen, und (2) das Gerät muss alle schädigenden Störungen annehmen, einschließlich Störungen, die zu einem unerwünschten Betriebsverhalten führen.

Dieses Gerät wurde getestet und die gemäß Teil 15 der FCC-Vorschriften für digitale Geräte der Klasse B festgelegten Grenzwerte werden nachweislich eingehalten. Diese Grenzwerte dienen dem angemessenen Schutz vor schädigenden

Störungen in häuslichen Installationen. Dieses Gerät erzeugt und verwendet hochfrequente Strahlung und kann diese abstrahlen. Wenn es nicht vorschriftsmäßig installiert und verwendet wird, kann es zu funktechnischen Störungen kommen. Es kann jedoch nicht garantiert werden, dass bei bestimmten Installationen nicht doch Störungen auftreten können. Falls dieses Gerät Funkstörungen im Radio- oder Fernsehempfang verursacht, was durch Ein- und Ausschalten des Geräts überprüft werden kann, können solche Störungen möglicherweise wie folgt behoben werden:

- Vergrößern Sie den Abstand zwischen dem Gerät und dem Empfänger.
- Wenden Sie sich für Unterstützung an den Händler.

Die Markierung auf dem Gerät kann eingesehen werden, wenn Sie den Dichtungsring und die Schaumgummieinlage auf der rechten Gehörschutzmuschel entfernen.

Enthält Sendermodul IC: 12246A-BM64S2

Dieses Gerät entspricht den lizenzfreien RSS-Standards von Industry Canada. Der Betrieb unterliegt den beiden folgenden Bedingungen: (1) Das Gerät darf keine

Störungen verursachen, und (2) das Gerät muss alle Störungen annehmen, einschließlich Störungen, die zu einem unerwünschten Betriebsverhalten führen könnten.

Gemäß den Bestimmungen von Industry Canada darf dieser Funksender nur mit einer Antenne eines Typs und einer maximalen (oder geringeren) Verstärkung betrieben werden, die für den Sender von Industry Canada zugelassen ist. Um potenzielle Funkstörungen bei anderen Benutzern zu vermeiden, muss der Antennentyp und dessen Verstärkung so gewählt werden, dass die äquivalente isotropische Strahlungsleistung (e.i.r.p.) nicht größer ist, als für eine erfolgreiche Kommunikation erforderlich ist.

Die Markierung auf dem Gerät kann eingesehen werden, wenn Sie den Dichtungsring und die Schaumgummieinlage auf der rechten Ohrmuschel entfernen.

Eingetragene Marken

Die *Bluetooth*[®]-Wortmarke und die Logos sind eingetragene Marken von *Bluetooth SIG, inc.* und die Verwendung dieser Marken durch Husqvarna erfolgt unter Lizenz.

Sicherheit

Sicherheitsdefinitionen

Warnungen, Vorsichtsmaßnahmen und Hinweise werden verwendet, um auf besonders wichtige Teile der Bedienungsanleitung hinzuweisen.



WARNUNG: Wird verwendet, wenn bei Nichtbeachtung der Anweisungen in diesem Handbuch die Gefahr von Verletzung oder Tod des Bedieners oder anderer Personen besteht.



ACHTUNG: Wird verwendet, wenn bei Nichtbeachtung der Anweisungen in diesem Handbuch die Gefahr von Schäden am Gerät, an anderen Materialien oder in der Umgebung besteht.

Hinweis: Für weitere Informationen, die in bestimmten Situationen nötig sind.

Allgemeine Sicherheit



WARNUNG: Lesen Sie die folgenden Warnhinweise, bevor Sie das Gerät verwenden.

- Wenden Sie diese Anweisungen an und speichern Sie sie.

- Stellen Sie sicher, dass Sie das richtige Produkt für Ihre Verwendung ausgewählt haben, um eine optimale Passform und Funktion zu gewährleisten.
- Ändern oder entfernen Sie keine Teile des Produkts. Führen Sie nur Veränderungen aus, die in dieser Bedienungsanleitung enthalten sind.
- Die Geräuschdämpfung des Produkts wird immens beeinträchtigt, wenn Sie die Anweisungen in dieser Betriebsanleitung nicht befolgen. Ohrenschützer und insbesondere Polsterungen können durch den Gebrauch abgenutzt werden und sollten in regelmäßigen Abständen auf Risse und Abnutzung überprüft werden. Siehe *Wartung auf Seite 47*.
- Dieses Produkt kann von bestimmten chemischen Substanzen ungünstig beeinflusst werden. Weitere Informationen erhalten Sie beim Hersteller. Halten Sie das Produkt von aggressiven Substanzen fern und reinigen Sie es regelmäßig. Verwenden Sie dazu ein Tuch mit Wasser und Seife. Waschen Sie es nicht in Wasser und tauchen Sie es nicht vollständig in Wasser ein.
- Alle Wartungs- und Reparaturarbeiten müssen von einer zugelassenen Servicewerkstatt durchgeführt werden. Nur Husqvarna Originalersatzteile verwenden.
- Verwenden Sie den Gehörschutz maximal 10 Jahre ab dem auf der Verpackung angegebenen Herstellungsdatum.
- Die Funktionalität des Produkts kann sich durch die Akkumutzung verschlechtern.

Sicherheitshinweise für den Betrieb

- Der Träger muss sicherstellen, dass die Kapselgehörschützer in lärmbelasteten Umgebungen stets getragen werden.
- Seien Sie beim Gebrauch des Geräts vorsichtiger und achten Sie auf Warnsignale. Die Geräusche von Warnsignalen können bei Verwendung des Produkts gedämpft sein.
- Die Hörbarkeit von Warnsignalen an bestimmten Arbeitsplätzen kann während der Nutzung der Unterhaltungseinrichtung beeinträchtigt sein.
- Stellen Sie sicher, dass das Produkt während des Transports und der Verwendung keine Schläge abbekommt.
- Verwenden Sie das Gerät nur bei Temperaturen zwischen -20 °C und +55 °C. Wenn Sie das Gerät bei anderen Temperaturen verwenden, kann dies zu Schäden an Elektronik, Akku und mechanischen Teilen führen.
- Stellen Sie sicher, dass Sie vor der Verwendung wissen, wie das Gerät verwendet wird. Wenden Sie sich an Ihren Servicehändler, wenn das Produkt beschädigt ist. Öffnen Sie niemals das Gehäuse!
- Das Beziehen der Ohrkissen mit Hygienebezügen kann die akustische Leistung der Kapselgehörschützer beeinträchtigen. Verwenden Sie immer Originalzubehör.
- Drücken Sie die Kapselgehörschützer nicht gegen die Helmschale. Wenn Sie dies tun, kann es zu Rissen an der Seite des Helms kommen.

(Abb. 4)

- Lagern Sie das Gerät nicht bei Temperaturen über +55 °C, z. B. auf einem Armaturenbrett. Lagern Sie das Gerät nicht bei Temperaturen unter -20 °C.

- Der Träger muss sicherstellen, dass die Kapselgehörschützer in Übereinstimmung mit dieser Betriebsanleitung befestigt, eingestellt und gewartet werden.
- Der Gehörschutz ist mit einem sicherheitsgerichteten Audioeingang ausgestattet. Der Benutzer muss sich vorab mit der ordnungsgemäßen Anwendung des Gehörschutzes vertraut machen. Bei einer Verformung oder einer Fehlfunktion des Produkts muss sich der Benutzer zwecks Wartung an die Herstellerempfehlungen halten.

Sicherer Umgang mit Akku

- Der Kapselgehörschützer ist mit einer pegelabhängigen Schalldämpfung ausgestattet. Der Benutzer muss sich vorab mit der ordnungsgemäßen Anwendung des Gehörschutzes vertraut machen. Bei einer Störung oder einer Fehlfunktion des Produkts muss sich der Benutzer an die Herstelleranweisungen für die Wartung halten.
- Das Produkt enthält einen Akku und elektrische Komponenten, die in Brand- oder explosionsgefährdeten Umgebungen zu einer Entzündung führen können. Das Produkt darf in explosionsgefährdeten Bereichen nicht eingesetzt werden.
- Laden Sie das Gerät nur im Temperaturbereich von 0 °C bis +40 °C auf. Das Laden außerhalb dieses Temperaturbereichs kann die Elektronik und den Akku beschädigen.

Montage

Einleitung



WARNUNG: Halten Sie bei der Montage Ihre Haare vom Gerät fern. Stellen Sie sicher, dass die Dichtringe eng an Ihrem Kopf und an Ihren Ohren sitzen, bevor Sie das Gerät bedienen.

So setzen Sie die Kapselgehörschützer mit Kopfbügel auf

1. Bringen Sie den Kopfbügel auf Ihren Kopf an.
2. Bewegen Sie die Kapselgehörschützer nach oben oder unten, um die Höhe einzustellen. (Abb. 5)

So montieren Sie die Gehörschutzmuscheln an einen Helm

1. Bringen Sie den richtigen Adapterbefestigungstyp an der Helmschale an. Siehe *Zugelassene Helme auf Seite 48*.
2. Montieren Sie die Helmgabel am Befestigungsadapter. (Abb. 6)

Hinweis: Siehe *Zugelassene Helme auf Seite 48* Dort finden Sie weitere Informationen darüber, welche Helmbefestigung für Ihren Helm geeignet ist.

3. Bringen Sie die Kapselgehörschützer in die niedrigste Position.
4. Heben Sie die Kapselgehörschützer heraus und nach oben, bis Sie in der Ruheposition einrasten. (Abb. 7)
5. Machen Sie eine Markierung auf dem Kabel.

- a) Machen Sie beim Helm H300 eine Markierung bei 27 cm/11 Zoll (X) von jeder Gehörschutzmuschel aus.
 - b) Machen Sie beim Helm Spire Vent X eine Markierung bei 14,5 cm/6 Zoll (Y) von jeder Gehörschutzmuschel aus. (Abb. 8)
6. Setzen Sie die Helmbefestigung in den Schlitz am Helm. (Abb. 9)
 7. Gehen Sie zur Montageanleitung für Ihren zugelassenen Helm.



ACHTUNG: Vergewissern Sie sich, dass das Kabel nicht verdreht ist oder einen kleinen Biegeradius aufweist. Vergewissern Sie sich, dass das Kabel leicht in die Öffnung des Helms eingeführt werden kann.

So montieren Sie die Kapselgehörschützer an den Helm H300

1. Lösen Sie die Kopfbänderung vom Helm. (Abb. 10)
2. Befestigen Sie das Kabel mit den Kabelbindern oder Klammern an den Löchern. (Abb. 11)
3. Wenn Sie das Kabel mit Kabelbindern befestigen, schneiden Sie den Kabelbinder durch und drücken Sie den Verschluss des Kabelbinders in den seitlichen Schlitz.
4. Machen Sie mit dem Kabel eine Schleife und befestigen Sie die Kopfbänderung und den Nackenschutz. Stellen Sie sicher, dass das Kabel zwischen der Helmschale und der Kopfbänderung liegt. (Abb. 12)

So montieren Sie die Kapselgehörschützer an den Helm Spire Vent X

1. Bringen Sie das Kabel in einer Schleife nach hinten.
2. Befestigen Sie das Kabel mit Kabelbindern an der Kopfbänderung. Befestigen Sie den Kabelbinder durch das hintere Band des Kopfbügels.

3. Schneiden Sie den Kabelbinder durch.
4. Führen Sie den restlichen Teil des Kabels in einer Schleife nach hinten hinter den hinteren Kopfbügel. (Abb. 13)

So bringen Sie die Gehörschutzmuscheln in Betriebsposition

1. Setzen Sie den Helm auf Ihren Kopf.
2. Passen Sie die Kapselgehörschützer so an, dass sie eng um Ihre Ohren und eng am Kopf sitzen. (Abb. 14)

So bringen Sie die Kapselgehörschützer in die Ruheposition

- Heben Sie die Kapselgehörschützer heraus und nach oben, bis Sie in der Ruheposition einrasten. (Abb. 15)

So bringen Sie die Kapselgehörschützer in die Parkposition

1. Bringen Sie die Kapselgehörschützer in die Ruheposition. Siehe *So bringen Sie die Kapselgehörschützer in die Ruheposition auf Seite 45*.
2. Drehen Sie die Kapselgehörschützer entlang der Seite des Helms nach hinten, bis sie in der Parkposition einrasten. (Abb. 16)

So montieren Sie das Bügelmikrofon

Verwenden Sie in Umgebungen mit einem hohen Geräuschpegel ein Bügelmikrofon.

1. Befestigen Sie den Windschutz am Bügelmikrofon.
2. Verbinden Sie das Bügelmikrofon mit dem Mikrofoneingang an der rechten Gehörschutzmuschel. (Abb. 17)
3. Stellen Sie das Bügelmikrofon so ein, dass es 1 cm/0,4 Zoll (A) von Ihrem Mund entfernt ist.

Betrieb

Einleitung



WARNUNG: Vor dem Betrieb des Gerätes müssen Sie die Sicherheitsinformationen lesen und verstehen.

So laden Sie das Produkt auf

1. Verbinden Sie den USB-C-Stecker des Ladekabels mit dem Anschluss an der linken Gehörschutzmuschel. (Abb. 18)
2. Schließen Sie den USB-Stecker des Ladekabels an ein USB-Ladegerät oder einen anderen USB-Anschluss an.

Hinweis: Die Ausgangsleistung der Steckdose muss 5 V und 2 A betragen, um mit maximaler Kapazität laden zu können.

Hinweis: Die LED-Anzeige auf der Bluetooth®-Taste blinkt langsam grün, wenn der Akku geladen wird. Die LED-Anzeige auf der Bluetooth®-Taste leuchtet dauerhaft grün, wenn der Akku vollständig geladen ist.

So starten Sie das Gerät

- Halten Sie die ON/OFF-Taste 1 Sekunde lang gedrückt.

Hinweis: Ein akustisches Signal zeigt an, dass das Gerät eingeschaltet ist. Eine Audiomeldung informiert Sie über den Akkuladestatus und die Anzahl der Geräte, die über Bluetooth® verbunden sind.

Audiomeldung
BATTERY HIGH
BATTERY MEDIUM
BATTERY LOW
BATTERY CRITICAL

Audiomeldung	LED-Anzeige auf der Bluetooth®-Taste
ONE BLUETOOTH DEVICE CONNECTED	Die LED leuchtet blau.
TWO BLUETOOTH DEVICES CONNECTED	

So wechseln Sie zwischen dem FM-Radiomodus und dem Bluetooth®-Modus

- Drücken Sie schnell 2 Mal hintereinander auf die Modus-Taste, um zwischen dem FM-Radiomodus und dem Bluetooth®-Modus zu wechseln.

Hinweis: Eine Audiomeldung informiert Sie darüber, welchen Modus Sie ausgewählt haben. Siehe Tabelle unten.

Audiomeldung
RADIO
BLUETOOTH

UKW-Radiomodus

Im UKW-Radiomodus erhalten Sie Zugriff auf UKW-Radio.

So ändern Sie den FM-Radiosender

- Halten Sie die Taste zum Erhöhen oder Verringern der Lautstärke 1 Sekunde lang gedrückt, um den FM-Radiosender zu wechseln.

Bluetooth®-Modus

Im Bluetooth®-Modus können Sie Ihr Produkt mit einem anderen Gerät mit Bluetooth®-Drahtlostechnik verbinden.

So führen Sie einen Bluetooth®-Kopplungsvorgang durch

1. Halten Sie die Bluetooth®-Taste 2 Sekunden lang gedrückt, um den Kopplungsvorgang auf Ihrem Produkt zu starten.

Hinweis: Der Kopplungsvorgang beginnt, wenn Sie einen Piepton hören und die Bluetooth®-Taste blau blinkt. Der Kopplungsvorgang ist 30 Sekunden lang aktiv.

2. Starten Sie die Funktion für Bluetooth®-Drahtlostechnik auf dem Gerät.
3. Wählen Sie bei Bedarf Husqvarna X-COM Active in der Liste der Geräte auf Ihrem Gerät.

Hinweis: Eine Audiomeldung informiert Sie über den Produktstatus. Siehe Tabelle unten.

Audiomeldung	LED-Anzeige auf der Bluetooth®-Taste	Information
BLUETOOTH DEVICE CONNECTED	Durchgehend blaues Licht	Das Produkt ist mit einem anderen Gerät mit Bluetooth®-Drahtlostechnik verbunden.
BLUETOOTH CONNECTION FAILED	2 Sekunden lang durchgehend rotes Licht	Das Produkt ist nicht mit einem Gerät mit Bluetooth®-Drahtlostechnik verbunden.

Hinweis: Ein Gerät mit Bluetooth®-Drahtlostechnik, das mit Ihrem Produkt verbunden ist, wird automatisch mit Ihrem Produkt verbunden, wenn das Produkt das nächste Mal mit dem Gerät verwendet wird.

So ändern Sie den Audiostream

- Halten Sie die Taste zum Erhöhen der Lautstärke 0,5 Sekunden lang gedrückt, um den nächsten Audiostream auszuwählen.
- Halten Sie die Taste zum Verringern der Lautstärke 0,5 Sekunden lang gedrückt, um zum vorherigen Audiostream zurückzukehren.

So beginnen oder beenden Sie das Audiostreaming

- Drücken Sie die Modus-Taste, um das Audiostreaming zu beenden oder zu beginnen.

So nehmen Sie einen Telefonanruf an, lehnen ihn ab oder beenden ihn

Wenn Ihr Mobilgerät über die Bluetooth®-Drahtlostechnologie mit dem Produkt verbunden ist, ertönt ein Signal in den Gehörschutzmuscheln, sobald ein Telefonanruf eingeht.

- Drücken Sie die Modus-Taste, um einen Anruf anzunehmen oder zu beenden.
- Halten Sie die Modus-Taste 1 Sekunde lang gedrückt, um einen eingehenden Anruf abzulehnen.

Hinweis: Ein Piepton weist Sie darauf hin, wenn der Anruf angenommen oder abgelehnt wurde.

Audiomeldung	Information
CALL ENDED	Der Anruf wurde beendet.

So stellen Sie die Lautstärke ein

- Drücken Sie die Taste zum Erhöhen der Lautstärke oder die Taste zum Verringern der Lautstärke, um die Lautstärke anzupassen. Ein Piepton weist darauf hin, dass die Lautstärke auf dem Minimum oder Maximum ist.

So stellen Sie den Modus für Umgebungsgeräusche ein

Im Modus für Umgebungsgeräusche hören Sie die Geräusche um Sie herum.

- Drücken Sie die Taste für Umgebungsgeräusche.

Hinweis: Eine Audiomeldung informiert Sie über den Status des Modus für Umgebungsgeräusche.

Audiomeldung
AMBIENT LEVEL HIGH
AMBIENT LEVEL MEDIUM
AMBIENT LEVEL LOW
AMBIENT LEVEL OFF

So stoppen Sie das Gerät

- Halten Sie die ON/OFF-Taste 1 Sekunde lang gedrückt.

Hinweis: Eine Audiomeldung informiert Sie über den Akkustatus und die LED-Anzeigen erlöschen. Ein Piepton weist Sie darauf hin, dass das Gerät geladen wird.

So erzwingen Sie bei dem Produkt einen Stopp

- Halten Sie die ON/OFF-Taste 12 Sekunden lang gedrückt.

Wartung

So warten Sie das Gerät



ACHTUNG: Spülen Sie es nicht mit Wasser und tauchen Sie es nicht vollständig in Wasser ein.



ACHTUNG: Spray, Flüssigkeiten oder andere Reinigungsmittel, die Lösungsmittel und/oder Alkohol enthalten, können die Schutzwirkung beeinträchtigen.



ACHTUNG: Verwenden Sie Husqvarna Originalersatzteile.

1. Reinigen Sie das Gerät regelmäßig. Verwenden Sie ein Tuch und eine schwache Seifenlösung.
2. Überprüfen Sie den Zustand der Dichtungsringe und die Schaumgummieinsätze vor jedem Gebrauch.

3. Tauschen Sie die Dichtungsringe und die Schaumgummieinsätze alle 6 Monate, oder wenn nötig, häufiger aus. Stellen Sie sicher, dass der Luftspalt des Dichtungsringes bei der Montage nach unten zeigt. Verwenden Sie das Original-Hygiene-Set, das die Dichtungsringe und die Schaumgummieinsätze enthält. Weitere Informationen zum Hygiene-Set finden Sie unter www.husqvarna.com. (Abb. 19)

Hinweis: Wenn die Gehörschutzmuscheln auf der Innenseite feucht sind, lassen Sie sie in der Parkposition trocknen. Siehe *So bringen Sie die Kapselgehörschützer in die Parkposition auf Seite 45*.

4. Ersetzen Sie die Membran für das Sprechmikrofon, wenn sie beschädigt ist.
5. Tauschen Sie den Windschutz für das pegelabhängige Mikrofon aus, wenn er beschädigt ist.
6. Tauschen Sie den Windschutz am Bügelmikrofon aus, wenn er beschädigt ist.

7. Ersetzen Sie das Polster des Kopfbügels, falls erforderlich. (Abb. 20)

Transport, Lagerung und Entsorgung

Transport und Lagerung



ACHTUNG: Bringen Sie die Kapselgehörschützer während des Transports und der Lagerung in die Betriebsposition, um den Verschleiß des Kunststoffmaterials zu verringern.

- Bringen Sie die Kapselgehörschützer in die Betriebsposition. Siehe *So bringen Sie die Gehörschutzmuscheln in Betriebsposition auf Seite 45*.
- Vergewissern Sie sich, dass die Dichtungsringe nicht zusammengepresst sind.
- Lagern Sie das Gerät in einem trockenen und sauberen Raum.
- Halten Sie das Gerät während der Lagerung von direkter Sonneneinstrahlung fern.

- Laden Sie den Akku alle 6 Wochen auf, um die Qualität des Akkus aufrecht zu erhalten.
- Legen Sie das Produkt während des Transports in einen sicheren Bereich.

Entsorgen

- Beachten Sie die nationalen Vorschriften.
- Nutzen Sie das lokale Recyclingsystem.
- Das Gerät und die Verpackung des Geräts dürfen nicht über den Hausmüll entsorgt werden. Recyceln Sie es an einer Recyclingstation für elektrische und elektronische Geräte.



Zubehör

Zugelassene Helme

Verwenden Sie das Produkt ausschließlich mit den unten aufgeführten Helmen.

Model	Helmbefestigungstyp	Adaptergrafik	Genehmigte Dimensionen
Husqvarna Technical, H300	Adapter H300	(Abb. 21)	M/L
Husqvarna Spire	Adapter Spire	(Abb. 22)	L
KASK Zenith X			

Technische Angaben

Technische Daten

Technische Daten zu den einzelnen Geräten finden Sie in folgenden Abbildungen. Weitere technische Daten

(Abb. 2)
(Abb. 3)

Weitere Informationen zum Inhalt der technischen Daten finden Sie in der folgenden Liste:

- F = Frequenzen, bei denen die Dämpfung gemessen wird.
- Mf = Mittelwert.

finden Sie im Anhang mit den technischen Daten in dieser Bedienungsanleitung.

- Sf = Standardabweichung.
- APV (Mf-Sf) = Angenommener Schutzwert.
- H = Dämpfungswert bei Hochfrequenz (vorhergesagte Reduzierung des Geräuschpegels bei Lärm, wobei $L_{C-L_A} = -2$ dB). M = Dämpfungswert bei mittlerer Frequenz (vorhergesagte Reduzierung

des Geräuschpegels bei Lärm, wobei $L_C - L_A = +2$ dB). L = Dämpfungswert bei niedriger Frequenz (vorhergesagte Reduzierung des Geräuschpegels bei Lärm, wobei $L_C - L_A = +10$ dB).

- SNR = Single Number Rating (Einzelwert, der vom gemessenen C-bewerteten Schalldruckpegel, L_C , abgezogen wird, um den tatsächlichen A-bewerteten Schallpegel im Ohr zu schätzen).

Verantwortlicher Hersteller: Husqvarna AB, SE-561 82 Huskvarna, Schweden, Tel.: +46-36-146500.

Geräuschpegel

Der UKW-Radiomodus und der Headset-Modus haben eine maximale äquivalente Lautstärke von 82 dB (A).

Material

Teil	Material	Teil	Material
Innere Ohrmuschel	ABS	Kopfbügel	POM+TPE
Äußere Ohrmuschel, links	ABS	Helmgabel	PA66GF30
Äußere Ohrmuschel, rechts	ABS+TPE	Helmgabel-Feder	Stahl
Einsätze	VIOLETT	Schrauben	Stahl
Dichtungsringe	ABS+TPE		

Περιεχόμενα

Εισαγωγή.....	50	Μεταφορά, αποθήκευση και απόρριψη.....	56
Ασφάλεια.....	51	Αξεσουάρ.....	56
Συναρμολόγηση.....	52	Τεχνικά στοιχεία.....	57
Λειτουργία.....	53	Ανεπα.....	229
Συντήρηση.....	55		

Εισαγωγή

Περιγραφή προϊόντος

Το προϊόν X-SYNC (HP500BT-01, HP500BT-02) είναι προστατευτικό ακοής με ενσωματωμένη πλήρως αμφίδρομη επικοινωνία, *ασύρμητη τεχνολογία*

Επισκόπηση προϊόντος

(Εικ. 1)

1. Κουμπί ήχου περιβάλλοντος
2. Μικρόφωνο που εξαρτάται από το επίπεδο
3. Κουμπί Bluetooth®
4. Μικρόφωνο ομιλίας
5. Κουμπί Λειτουργίας
6. Έξοδος καλωδίου φορτιστή USB-C
7. Κουμπί αύξησης έντασης ήχου
8. Κουμπί μείωσης έντασης ήχου
9. Κουμπί On/Off
10. Έξοδος τηλεσκοπικού μικροφώνου

Συμμόρφωση και εγκρίσεις

Δια του παρόντος, η Husqvarna ABSE-561 82 Huskvarna, Sweden, tel: +46-36-146500, δηλώνει ότι ο τύπος ραδιοεξοπλισμού HP500BT-01 και HP500BT-01 συμμορφώνονται με τις οδηγίες 2014/53/EU, 2011/65/EU και τον κανονισμό (ΕΥ) 2016/425. Κανονισμός 2016/425 για τον εξοπλισμό ατομικής προστασίας, όπως τροποποιήθηκε ώστε να εφαρμόζεται σε GB. Το πλήρες κείμενο της δήλωσης συμμόρφωσης ΕΕ και της δήλωσης συμμόρφωσης ΗΒ είναι διαθέσιμο στην εξής διεύθυνση στο Internet: www.husqvarna.com, αναζητήστε τα X-SYNC, HP500BT-01, HP500BT-02.

Οι τιμές εξασθένισης και οι στάθμες θορύβου του προϊόντος έχουν ελεγχθεί και εγκριθεί σύμφωνα με τα εξής πρότυπα: EN 352-1:2020 (μάντας κεφαλής), EN 352-3:2020 (τοποθετημένο σε κράνος), EN 352-4:2020, EN 352-6:2020 και EN 352-8:2020.

Ο κοινοποιημένος οργανισμός που συμμετέχει στη διαδικασία αξιολόγησης της συμμόρφωσης είναι ο εξής: Αριθμός κοινοποιημένου οργανισμού 1974. PZT GmbH, Bismarckstraße 264 B, 26389 Wilhelmshaven, Germany.

Αριθμός ΗΒ εγκεκριμένου φορέα 0321. SATRA Technology Centre, Wyndham Way, Telford Way, Kettering, Northamptonshire, NN16 8SD, UK.

Bluetooth® και ραδιοφωνο FM. Το μοντέλο HP500BT-01 είναι προστατευτικό ακοής με ιμάντα κεφαλής και το μοντέλο HP500BT-02 είναι προστατευτικό ακοής για κράνος. Το προϊόν παρέχει προστασία από επιβλαβείς θορύβους.

Πιστοποίηση και παρακολούθηση από την PZT.

Η μπαταρία είναι πιστοποιημένη σύμφωνα με το πρότυπο IEC62133 έκδοση 2.



UK Importer:
Husqvarna UK Ltd
Preston Road, Co. Durham
DL5 6UP

FCC ID: ZASHP500BT, ID IC: 23307-HP500BT

Δήλωση συμμόρφωσης προμηθευτών FCC για το υπέυθυνο συμβεβλημένο μέρος HP500BT-01, HP500BT-02 .

Husqvarna Professional Products, Inc. 9335 Harris Corners Parkway Suite 500 Charlotte, NC 28269 Ηνωμένες Πολιτείες.

Στοιχεία επικοινωνίας στις Η.Π.Α.: Michael Campbell, Υπεύθυνος συμμόρφωσης προϊόντων, Τηλέφωνο: +1 704 597 5000.

Δήλωση συμμόρφωσης FCC:

Αυτή η συσκευή συμμορφώνεται με το Μέρος 15 των Κανονισμών FCC. Η λειτουργία υπόκειται στις ακόλουθες δύο προϋποθέσεις: (1) Αυτή η συσκευή δεν πρέπει να προκαλεί επιβλαβείς παρεμβολές και (2) αυτή η συσκευή πρέπει να αποδέχεται οποιαδήποτε παρεμβολή, συμπεριλαμβανομένων των παρεμβολών

που ενδέχεται να προκαλέσουν ανεπιθύμητες λειτουργίες.

Ο παρών εξοπλισμός έχει ελεγχθεί και διαπιστώθηκε ότι συμμορφώνεται με τα όρια για ψηφιακές συσκευές Κατηγορίας Β, σύμφωνα με το Μέρος 15 των κανονισμών FCC. Αυτά τα όρια έχουν σχεδιαστεί ώστε να παρέχουν επαρκή προστασία από επιβλαβείς παρεμβολές σε οικιακές εγκαταστάσεις. Αυτός ο εξοπλισμός παράγει, χρησιμοποιεί και μπορεί να εκπέμψει ακτινοβολία ραδιοσυχνότητας και, εάν δεν εγκατασταθεί και χρησιμοποιηθεί σύμφωνα με τις οδηγίες, μπορεί να προκαλέσει επιβλαβείς παρεμβολές στις ραδιοεπικοινωνίες. Ωστόσο, δεν υπάρχει εγγύηση ότι δεν θα παρουσιαστούν παρεμβολές σε μια συγκεκριμένη εγκατάσταση. Αν ο εξοπλισμός αυτός δημιουργεί επιβλαβείς παρεμβολές σε ραδιοφωνικές ή τηλεοπτικές λήψεις, γεγονός που μπορεί να διαπιστωθεί με απενεργοποίηση και ενεργοποίηση του εξοπλισμού, ο χρήστης ενθαρρύνεται να δοκιμάσει να διορθώσει την παρεμβολή λαμβάνοντας ένα ή περισσότερα από τα ακόλουθα μέτρα:

- Αύξηση της απόστασης μεταξύ του εξοπλισμού και του δέκτη.
- Για βοήθεια, συμβουλευτείτε τον αντιπρόσωπο.

Μπορείτε να δείτε τη σήμανση του προϊόντος, εάν αφαιρέσετε τον δακτύλιο σφράγισης και το ένθετο από αφρώδες ελαστικό υλικό στο δεξί προστατευτικό ακοής.

Περιλαμβάνει μονάδα πομπού με IC: 12246A-BM64S2

Αυτή η συσκευή συμμορφώνεται με τα πρότυπα RSS χωρίς υποχρέωση άδειας της υπηρεσίας Industry

Canada. Η λειτουργία υπόκειται στις ακόλουθες δύο προϋποθέσεις: (1) Αυτή η συσκευή δεν επιτρέπεται να προκαλεί παρεμβολές και (2) αυτή η συσκευή πρέπει να δέχεται οποιασδήποτε παρεμβολές, συμπεριλαμβανομένων των παρεμβολών που μπορεί να προκαλέσουν ανεπιθύμητη λειτουργία της συσκευής.

Βάσει των κανονισμών της υπηρεσίας Industry Canada, ο παρών πομπός επιτρέπεται να λειτουργεί μόνο με κεραιά, της οποίας ο τύπος και η μένιστη (ή η μικρότερη) απολαβή έχουν εγκριθεί για χρήση με τον συγκεκριμένο πομπό από την υπηρεσία Industry Canada. Για να μειώνονται οι πιθανές ραδιοπαρεμβολές σε άλλους χρήστες, ο τύπος και η απολαβή της κεραιάς πρέπει να επιλεγούν έτσι ώστε η ισοδύναμη ισότροπη ακτινοβολούμενη ισχύς (e.i.r.p.) να μην είναι μεγαλύτερη από εκείνη που χρειάζεται για επιτυχή επικοινωνία.

Μπορείτε να δείτε τη σήμανση του προϊόντος, εάν αφαιρέσετε το δακτύλιο σφράγισης και το ένθετο από αφρώδες ελαστικό υλικό στο δεξί προστατευτικό ακοής.

Σήματα κατατεθέντα

Η λέξη *Bluetooth®* και τα σχετικά λογότυπα είναι σήματα κατατεθέντα και ανήκουν στην *Bluetooth SIG, inc.* Οποιαδήποτε χρήση αυτών των σήμάτων από την Husqvarna γίνεται κατόπιν άδειας.

Ασφάλεια

Ορισμοί για την ασφάλεια

Για την επισήμανση ειδικών σημαντικών τμημάτων του εγχειριδίου χρησιμοποιούνται προειδοποιήσεις, συστάσεις προσοχής και σημειώσεις.



ΠΡΟΕΙΔΟΠΟΙΗΣΗ: Χρησιμοποιείται όταν υπάρχει κίνδυνος τραυματισμού ή θανάτου του χειριστή ή άλλων παριστάμενων ατόμων, αν δεν τηρηθούν οι οδηγίες που παρέχονται στο εγχειρίδιο.



ΠΡΟΣΟΧΗ: Χρησιμοποιείται όταν υπάρχει κίνδυνος πρόκλησης ζημιάς στο προϊόν, σε άλλα υλικά ή στον παρακείμενο χώρο, αν δεν τηρηθούν οι οδηγίες που παρέχονται στο εγχειρίδιο.

Περιεχόμενα Χρησιμοποιείται για παροχή περισσότερων πληροφοριών, οι οποίες χρειάζονται σε μια δεδομένη κατάσταση.

Γενική ασφάλεια



ΠΡΟΕΙΔΟΠΟΙΗΣΗ: Προτού χρησιμοποιήσετε το προϊόν, διαβάστε τις παρακάτω προειδοποιητικές οδηγίες.

- Χρησιμοποιήστε και φυλάξτε αυτές τις οδηγίες.
- Για βέλπστη εφαρμογή και λειτουργία, βεβαιωθείτε ότι έχετε επιλέξει το σωστό προϊόν για τη δική σας χρήση.
- Μην αλλάζετε και μην αφαιρείτε εξαρτήματα από το προϊόν. Θα πρέπει να εκτελείτε μόνο αλλαγές που περιγράφονται σε αυτό το εγχειρίδιο χρήσης.
- Η εξασθένιση θορύβου που προσφέρει το προϊόν μπορεί να μειωθεί σημαντικά, εάν δεν ακολουθήσετε τις οδηγίες αυτού του εγχειριδίου χρήσης. Τα προστατευτικά ακοής και ειδικότερα τα μαξιλαράκια ενδέχεται να υποβαθμιστούν με τη χρήση και πρέπει να εξετάζονται ανά τακτά διαστήματα για ρωγμές και φθορά. Ανατρέξτε στην ενότητα *Συντήρηση στη σελίδα 55*.
- Αυτό το προϊόν ενδέχεται να επηρεαστεί αρνητικά από συγκεκριμένες χημικές ουσίες. Αναζητήστε

περισσότερες πληροφορίες από τον κατασκευαστή. Διατηρείτε το προϊόν μακριά από δραστικές ουσίες και φροντίστε να το καθαρίζετε τακτικά. Χρησιμοποιήστε πανί με νερό και σαπούνι. Μην το πλένετε και μην το βάζετε ολόκληρο μέσα στο νερό.

- Όλες οι εργασίες σέρβις και επισκευής πρέπει να γίνονται από εγκεκριμένο συνεργείο. Πρέπει πάντα να χρησιμοποιείτε γνήσια ανταλλακτικά της Husqvarna.
- Μην χρησιμοποιείτε ποτέ τα προστατευτικά ακοής περισσότερο από 10 έτη από την ημερομηνία κατασκευής που αναγράφεται στη συσκευασία.
- Η λειτουργικότητα του προϊόντος ενδέχεται να υποβαθμιστεί με την κατανάλωση μπαταρίας.

Οδηγίες ασφαλείας για τη λειτουργία

- Ο χρήστης θα πρέπει να διασφαλίζει ότι φορά πάντα τα προστατευτικά ακοής σε θορυβώδη περιβάλλοντα.
- Όταν χρησιμοποιείτε το προϊόν, πρέπει να είστε πιο προσεκτικοί και να ακούτε για τυχόν προειδοποιητικά σήματα. Ο θόρυβος από τα προειδοποιητικά σήματα μπορεί να είναι μειωμένος όταν χρησιμοποιείτε το προϊόν.
- Η ακουστότητα των προειδοποιητικών σημάτων σε συγκεκριμένους χώρους εργασίας μπορεί να είναι μειωμένη όταν χρησιμοποιείτε τη λειτουργία ψυχαγωγίας.
- Φροντίστε να μην χτυπάτε το προϊόν κατά τη μεταφορά και τη χρήση.
- Θα πρέπει να χρησιμοποιείτε το προϊόν μόνο σε θερμοκρασίες μεταξύ -20°C και $+55^{\circ}\text{C}$. Εάν χρησιμοποιήσετε το προϊόν σε άλλες θερμοκρασίες, μπορεί να προκληθεί ζημιά στα ηλεκτρονικά κυκλώματα, στην μπαταρία και στα μηχανικά εξαρτήματα.
- Φροντίστε να μάθετε τον τρόπο χρήσης του προϊόντος πριν το χρησιμοποιήσετε. Αν υπάρχει ζημιά στο προϊόν, απευθυνθείτε στον αντιπρόσωπο σέρβις. Μην ανοίγετε το περίβλημα!

- Η εφαρμογή καλυμμάτων υγιεινής προστασίας στα μαξιλάρια μπορεί να επηρεάσει την ακουστική απόδοση των προστατευτικών ακοής. Πρέπει πάντα να χρησιμοποιείτε γνήσια αξεσουάρ.
- Μην πιέζετε τα προστατευτικά ακοής πάνω στο κέλυφος του κράνους. Αυτό μπορεί να προκαλέσει ρωγμές στην πλευρική επιφάνεια του κράνους.

(Εικ. 4)

- Μην αποθηκεύετε το προϊόν σε θερμοκρασίες πάνω από $+55^{\circ}\text{C}$, για παράδειγμα πάνω στο ταμπλό ενός οχήματος. Μην αποθηκεύετε το προϊόν σε θερμοκρασίες κάτω από -20°C .
- Ο χρήστης θα πρέπει να διασφαλίζει ότι τα προστατευτικά ακοής έχουν τοποθετηθεί, ρυθμιστεί και συντηρηθεί σύμφωνα με το παρόν εγχειρίδιο χρήσης.
- Το προστατευτικό ακοής παρέχεται με είσοδο ήχου σχετικά με την ασφάλεια. Ο χρήστης θα πρέπει να ελέγχει τη σωστή λειτουργία πριν από τη χρήση. Εάν ανιχνευθεί παραμόρφωση ή αστοχία, ο χρήστης πρέπει να ανατρέξει στις συστάσεις του κατασκευαστή για τη συντήρηση.

Ασφάλεια μπαταρίας

- Το προστατευτικό ακοής παρέχεται με εξασθηνήση εξαρτώμενη από το επίπεδο. Ο χρήστης θα πρέπει να ελέγχει τη σωστή λειτουργία πριν από τη χρήση. Εάν εντοπιστεί δυσλειτουργία ή βλάβη, ο χρήστης πρέπει να ανατρέξει στις συστάσεις του κατασκευαστή για τη συντήρηση.
- Το προϊόν περιέχει μπαταρία και ηλεκτρικά εξαρτήματα που μπορεί να προκαλέσουν ανάφλεξη σε εύφλεκτες ή εκρηκτικές ατμόσφαιρες. Δεν πρέπει να γίνεται χρήση σε περιβάλλοντα όπου μπορεί να προκληθεί πυρκαγιά ή έκρηξη από σπινθήρες.
- Η φόρτιση του προϊόντος πρέπει να γίνεται μόνο εντός της περιοχής θερμοκρασιών 0°C έως $+40^{\circ}\text{C}$. Εάν η φόρτιση γίνει εκτός αυτής της περιοχής θερμοκρασιών μπορεί να προκληθεί ζημιά στα ηλεκτρονικά κυκλώματα και στην μπαταρία.

Συναρμολόγηση

Εισαγωγή



ΠΡΟΕΙΔΟΠΟΙΗΣΗ: Προτού συναρμολογήσετε το προϊόν, μετακινήστε τα μαλλιά σας στο πλάι. Βεβαιωθείτε ότι οι δακτύλιοι σφράγισης εφαρμόζουν σφιχτά γύρω από το κεφάλι και τα αυτιά σας προτού χρησιμοποιήσετε το προϊόν.

Τοποθέτηση των προστατευτικών ακοής με ιμάντα κεφαλής

1. Τοποθετήστε τον ιμάντα κεφαλής πάνω στο κεφάλι σας.

2. Μετακινήστε τα προστατευτικά ακοής προς τα επάνω ή προς τα κάτω για να ρυθμίσετε το ύψος. (Εικ. 5)

Συναρμολόγηση των προστατευτικών ακοής σε κράνος

1. Συναρμολογήστε τον σωστό τύπο εξαρτήματος του προσαρμογέα στο κέλυφος του κράνους. Ανατρέξτε στην ενότητα *Εγκεκριμένα κράνη στη σελίδα 56*.
2. Συναρμολογήστε την περόνη κράνους στον προσαρμογέα εξαρτήματος. (Εικ. 6)

Περιεχόμενα Ανατρέξτε στην ενότητα *Εγκεκριμένα κράνη στη σελίδα 56* για περισσότερες

πληροφορίες σχετικά με τα κατάλληλα εξαρτήματα στερέωσης για το δικό σας κράνος.

- Μετακινήστε τα προστατευτικά ακοής στην χαμηλότερη θέση.
- Τραβήξτε προς τα έξω και ανασηκώστε τα προστατευτικά ακοής μέχρι να κλειδωθούν στη θέση αναμονής. (Εικ. 7)
- Κάντε ένα σημάδι στο καλώδιο.
 - Στο κράνος H300, κάντε ένα σημάδι σε απόσταση 27 cm/11" (X) από κάθε προστατευτικό ακοής.
 - Στο κράνος Spire Vent X, κάντε ένα σημάδι σε απόσταση 14,5 cm/6" (Y) από κάθε προστατευτικό ακοής. (Εικ. 8)
- Τοποθετήστε το εξάρτημα στερέωσης στην υποδοχή του κράνους. (Εικ. 9)
- Συνεχίστε με τις οδηγίες συναρμολόγησης για το εγκεκριμένο κράνος σας.



ΠΡΟΣΟΧΗ: Βεβαιωθείτε ότι το καλώδιο δεν έχει συσταφεί και ότι δεν έχει καμπυλωθεί με μικρή ακτίνα. Βεβαιωθείτε ότι το καλώδιο μπορεί να κινείται ομαλά μέσα στο άνοιγμα του κράνους.

Τοποθέτηση των προστατευτικών ακοής στο κράνος H300

- Απελευθερώστε την εξάρτηση από το κράνος. (Εικ. 10)
- Στερεώστε το καλώδιο στις οπές με τα δεματικά ή τα κλιπ. (Εικ. 11)
- Εάν συνδέσετε το καλώδιο με δεματικά, κόψτε το δεματικό καλωδίων και σπρώξτε το σημείο ασφάλισης του δεματικού μέσα στην πλευρική υποδοχή.
- Κάντε μια θηλιά με το καλώδιο και στερεώστε την εξάρτηση και το προστατευτικό του αυχένα. Βεβαιωθείτε ότι το καλώδιο βρίσκεται ανάμεσα στο κέλυφος του κράνους και την εξάρτηση. (Εικ. 12)

Τοποθέτηση των προστατευτικών ακοής στο κράνος Spire Vent X

- Σχηματίστε με το καλώδιο μια θηλιά με κατεύθυνση προς τα πίσω.

- Στερεώστε το καλώδιο στην εξάρτηση με δεματικά. Στερεώστε το δεματικό μέσα από τον πίσω ιμάντα του κεφαλόδεσμου.
- Κόψτε το δεματικό.
- Σχηματίστε με το υπόλοιπο τμήμα του καλωδίου μια θηλιά με κατεύθυνση προς τα πίσω, πίσω από το οπίσθιο τμήμα του ιμάντα κεφαλής. (Εικ. 13)

Τοποθέτηση των προστατευτικών ακοής στη θέση λειτουργίας

- Φορέστε το κράνος στο κεφάλι σας.
- Ρυθμίστε τα προστατευτικά ακοής μέχρι να εφαρμόσουν σφιχτά γύρω από τα αυτιά σας και πάνω στο κεφάλι σας. (Εικ. 14)

Τοποθέτηση των προστατευτικών ακοής στη θέση αναμονής

- Τραβήξτε προς τα έξω και ανασηκώστε τα προστατευτικά ακοής μέχρι να κλειδωθούν στη θέση αναμονής. (Εικ. 15)

Τοποθέτηση των προστατευτικών ακοής στη θέση αδράνειας

- Τοποθετήστε τα προστατευτικά ακοής στη θέση αναμονής. Ανατρέξτε στην ενότητα *Τοποθέτηση των προστατευτικών ακοής στη θέση αναμονής στη σελίδα 53*.
- Περιστρέψτε τα προστατευτικά ακοής προς τα πίσω κατά μήκος της πλευράς του κράνους, μέχρι να ασφαλιστούν στη θέση αδράνειας. (Εικ. 16)

Σύνδεση του τηλεσκοπικού μικροφώνου

Σε περιβάλλοντα με πολύ θόρυβο πρέπει να χρησιμοποιείται ένα τηλεσκοπικό μικρόφωνο.

- Τοποθετήστε το φίλτρο αέρα στο τηλεσκοπικό μικρόφωνο.
- Συνδέστε το τηλεσκοπικό μικρόφωνο στην έξοδο μικρόφωνου στο δεξί προστατευτικό ακοής. (Εικ. 17)
- Τοποθετήστε το τηλεσκοπικό μικρόφωνο 1 cm/0,4" (A) από το στόμα σας.

Λειτουργία

Εισαγωγή



ΠΡΟΕΙΔΟΠΟΙΗΣΗ: Προτού χρησιμοποιήσετε το προϊόν, πρέπει να διαβάσετε και να κατανοήσετε το κεφάλαιο για την ασφάλεια.

Φόρτιση του προϊόντος

- Συνδέστε το βύσμα USB-C του καλωδίου του φορτιστή στην έξοδο, στο αριστερό προστατευτικό ακοής. (Εικ. 18)
- Συνδέστε το βύσμα USB του καλωδίου του φορτιστή σε έναν φορτιστή USB ή άλλη έξοδο παροχής ρεύματος USB.

Περιεχόμενα Η έξοδος της παροχής ρεύματος πρέπει να είναι 5 V και 2 A για φόρτιση στη μέγιστη χωρητικότητα.

Περιεχόμενα Η ενδεικτική λυχνία LED στο κουμπί Bluetooth® αναβοσβήνει αργά με πράσινο χρώμα όταν η μπαταρία φορτίζεται. Η ενδεικτική λυχνία LED στο κουμπί Bluetooth® ανάβει σταθερά με πράσινο χρώμα όταν η μπαταρία είναι πλήρως φορτισμένη.

Εκκίνηση του προϊόντος

- Πατήστε παρατεταμένα το κουμπί On/Off για 1 δευτερόλεπτο.

Περιεχόμενα Θα ακουστεί ένας σύντομος ήχος, που σας ενημερώνει ότι το προϊόν είναι ενεργοποιημένο. Ένα ηχητικό μήνυμα σας ενημερώνει για την κατάσταση μπαταρίας και τον αριθμό των συσκευών που είναι συνδεδεμένες μέσω ασύρματης τεχνολογίας Bluetooth®.

Ηχητικό μήνυμα
BATTERY HIGH
BATTERY MEDIUM
BATTERY LOW
BATTERY CRITICAL

Ηχητικό μήνυμα	Ενδεικτική λυχνία LED στο κουμπί Bluetooth®
ONE BLUETOOTH DEVICE CONNECTED	Η λυχνία LED είναι μπλε.
TWO BLUETOOTH DEVICES CONNECTED	

Εναλλαγή μεταξύ της λειτουργίας ραδιοφώνου FM και της λειτουργίας Bluetooth®

- Πατήστε γρήγορα το κουμπί τρόπου λειτουργίας 2 φορές για εναλλαγή μεταξύ της λειτουργίας ραδιοφώνου FM και της λειτουργίας Bluetooth®.

Περιεχόμενα Ένα ηχητικό μήνυμα σας ενημερώνει για τη λειτουργία που έχετε επιλέξει. Ανατρέξτε στον παρακάτω πίνακα.

Ηχητικό μήνυμα
RADIO
BLUETOOTH

Λειτουργία ραδιοφώνου FM

Στη λειτουργία ραδιοφώνου FM, έχετε πρόσβαση στο ραδιόφωνο FM.

Αλλαγή ραδιοφωνικού σταθμού FM

- Πατήστε παρατεταμένα το κουμπί αύξησης έντασης ήχου ή το κουμπί μείωσης έντασης ήχου για 1 δευτερόλεπτο, για να αλλάξετε ραδιοφωνικό σταθμό FM.

Τρόπος λειτουργίας Bluetooth®

Στον τρόπο λειτουργίας Bluetooth®, μπορείτε να συνδέσετε το προϊόν σας σε μια συσκευή με ασύρματη τεχνολογία Bluetooth®.

Πραγματοποίηση λειτουργίας σύζευξης Bluetooth®

1. Πατήστε παρατεταμένα το κουμπί Bluetooth® για 2 δευτερόλεπτα, για να ξεκινήσει η λειτουργία σύζευξης στο προϊόν σας.

Περιεχόμενα Η λειτουργία σύζευξης ξεκινά όταν ακούσετε ένα ηχητικό σήμα και το κουμπί Bluetooth® αναβοσβήνει με μπλε χρώμα. Η λειτουργία σύζευξης είναι ενεργοποιημένη για 30 δευτερόλεπτα.

2. Εκκινήστε τη λειτουργία σύζευξης για ασύρματη τεχνολογία Bluetooth® στη συσκευή.
3. Εάν απαιτείται, επιλέξτε το Husqvarna X-COM Active στη λίστα μονάδων στη συσκευή σας.

Περιεχόμενα Ένα ηχητικό μήνυμα σας ενημερώνει για την κατάσταση του προϊόντος. Ανατρέξτε στον παρακάτω πίνακα.

Ηχητικό μήνυμα	Ενδεικτική λυχνία LED στο κουμπί Bluetooth®	Πληροφορίες
BLUETOOTH DEVICE CONNECTED	Σταθερά αναμμένη με μπλε χρώμα.	Το προϊόν είναι συνδεδεμένο σε μια συσκευή με ασύρματη τεχνολογία Bluetooth®.
BLUETOOTH CONNECTION FAILED	Σταθερά αναμμένη με κόκκινο χρώμα για 2 δευτερόλεπτα.	Το προϊόν δεν είναι συνδεδεμένο σε μια συσκευή με ασύρματη τεχνολογία Bluetooth®.

Περιεχόμενα Εάν συνδεθεί στο προϊόν μια συσκευή με ασύρματη τεχνολογία Bluetooth®, η

σύνδεσή της με το προϊόν θα γίνει αυτόματα την επόμενη φορά που θα τη χρησιμοποιήσετε.

Αλλαγή μετάδοσης ροής ήχου

- Πατήστε παρατεταμένα το κουμπί αύξησης έντασης ήχου για 0,5 δευτερόλεπτα, για να επιλέξετε την επόμενη μετάδοση ροής ήχου.
- Πατήστε παρατεταμένα το κουμπί μείωσης έντασης ήχου για 0,5 δευτερόλεπτα για να επιστρέψετε στην προηγούμενη μετάδοση ροής ήχου.

Διακοπή ή έναρξη μετάδοσης ροής ήχου

- Πατήστε το κουμπί τρόπου λειτουργίας για να διακόψετε ή να ξεκινήσετε τη μετάδοση ροής ήχου.

Αποδοχή ή τερματισμός ή απόρριψη τηλεφωνικής κλήσης

Αν η κινητή συσκευή σας είναι συνδεδεμένη στο προϊόν με ασύρματη τεχνολογία Bluetooth®, ακούγεται ένα σήμα στα προστατευτικά ακοής όταν υπάρχει εισερχόμενη κλήση.

- Πατήστε το κουμπί τρόπου λειτουργίας για να αποδεχθείτε ή να τερματίσετε την τηλεφωνική κλήση.
- Πατήστε το κουμπί τρόπου λειτουργίας για 1 δευτερόλεπτο, για να απορρίψετε μια εισερχόμενη τηλεφωνική κλήση.

Περιεχόμενα Ένας ήχος "μπιπ" σας ενημερώνει όταν η τηλεφωνική κλήση γίνει αποδεκτή ή απορριφθεί.

Ηχητικό μήνυμα	Πληροφορίες
CALL ENDED	Η τηλεφωνική κλήση τερματίστηκε.

Ρύθμιση της έντασης ήχου

- Για να ρυθμίσετε την ένταση ήχου, πατήστε το κουμπί αύξησης της έντασης ήχου ή το κουμπί μείωσης της έντασης ήχου. Ένας ήχος "μπιπ" σας ενημερώνει πότε η ένταση ήχου είναι στην ελάχιστη ή στη μέγιστη ένταση.

Ορισμός της λειτουργίας ήχου περιβάλλοντος

Ο τρόπος λειτουργίας ήχου περιβάλλοντος σας επιτρέπει να ακούτε τους ήχους γύρω σας.

- Πατήστε το κουμπί ήχου περιβάλλοντος.

Περιεχόμενα Ένα ηχητικό μήνυμα σας ενημερώνει για την κατάσταση του τρόπου λειτουργίας ήχου περιβάλλοντος.

Ηχητικό μήνυμα
AMBIENT LEVEL HIGH
AMBIENT LEVEL MEDIUM
AMBIENT LEVEL LOW
AMBIENT LEVEL OFF

Διακοπή λειτουργίας του προϊόντος

- Πατήστε παρατεταμένα το κουμπί On/Off για 1 δευτερόλεπτο.

Περιεχόμενα Ένα ηχητικό μήνυμα σας ενημερώνει για την κατάσταση της μπαταρίας και οι ενδεικτικές λυχνίες LED σβήνουν. Θα ακουστεί ένας σύντομος ήχος, που σας ενημερώνει ότι το προϊόν είναι απενεργοποιημένο.

Εξαναγκασμένη διακοπή λειτουργίας του προϊόντος

- Πατήστε παρατεταμένα το κουμπί On/Off για 12 δευτερόλεπτα.

Συντήρηση

Συντήρηση του προϊόντος



ΠΡΟΣΟΧΗ: Μην ξεπλένετε το προϊόν με νερό και μην το βάζετε ολόκληρο μέσα στο νερό.



ΠΡΟΣΟΧΗ: Σπρέι, υγρά ή άλλα καθαριστικά που περιέχουν διαλυτικά ή/και αλκοόλ μπορεί να μειώσουν την προστατευτική λειτουργία.



ΠΡΟΣΟΧΗ: Χρησιμοποιείτε γνήσια ανταλλακτικά Husqvarna.

1. Φροντίστε να καθαρίζετε το προϊόν συχνά. Χρησιμοποιήστε ένα πανί με ήπιο διάλυμα σαπουνιού.
2. Πριν από κάθε χρήση, πρέπει να ελέγχετε την κατάσταση των δακτυλίων σφράγισης και των ένθετων από αφρώδες ελαστικό υλικό.

3. Θα πρέπει να αντικαθιστάτε τους δακτυλίους σφράγισης και τα ένθετα από αφρώδες ελαστικό υλικό κάθε 6 μήνες ή συχνότερα, εάν χρειάζεται. Κατά τη συναρμολόγηση, βεβαιωθείτε ότι η οπή αέρα στον δακτύλιο σφράγισης είναι στραμμένη προς τα κάτω. Χρησιμοποιήστε το αρχικό κιτ υγιεινής που περιλαμβάνει τους δακτυλίους σφράγισης και τα ένθετα από αφρώδες ελαστικό υλικό. Ανατρέξτε στη διεύθυνση www.husqvarna.com για περισσότερες πληροφορίες σχετικά με το κιτ υγιεινής. (Εικ. 19)

Περιεχόμενα Εάν τα προστατευτικά ακοής είναι νοτισμένα στην εσωτερική πλευρά τους, αφήστε τα να στεγνώσουν στη θέση αδράνειας. Ανατρέξτε στην

ενότητα *Τοποθέτηση των προστατευτικών ακοής στη θέση αδράνειας στη σελίδα 53.*

4. Αντικαταστήστε τη μεμβράνη του μικροφώνου ομιλίας, εάν έχει υποστεί ζημιά.
5. Αντικαταστήστε το φίλτρο αέρα για το μικρόφωνο που εξαρτάται από το επίπεδο, εάν έχει υποστεί ζημιά.
6. Αντικαταστήστε το φίλτρο αέρα στο τηλεσκοπικό μικρόφωνο, εάν έχει υποστεί ζημιά.
7. Αντικαταστήστε το Επίθεμα άνεσης του μίμντα κεφαλής, εάν είναι απαραίτητο. (Εικ. 20)

Μεταφορά, αποθήκευση και απόρριψη

Μεταφορά και αποθήκευση



ΠΡΟΣΟΧΗ: Κατά τη μεταφορά και την αποθήκευση, τοποθετήστε τα προστατευτικά ακοής στη θέση λειτουργίας για να μειώσετε τη φθορά του πλαστικού υλικού.

- Τοποθετήστε τα προστατευτικά ακοής στη θέση λειτουργίας. Ανατρέξτε στην ενότητα *Τοποθέτηση των προστατευτικών ακοής στη θέση λειτουργίας στη σελίδα 53.*
- Βεβαιωθείτε ότι οι δακτύλιοι σφράγισης δεν είναι συμπιεσμένοι.
- Τοποθετήστε το προϊόν σε στεγνό και καθαρό χώρο.
- Κρατήστε το προϊόν μακριά από το φως του ήλιου κατά την αποθήκευση.
- Πρέπει να φορτίζετε την μπαταρία κάθε 6 εβδομάδες, για να διατηρείται η ποιότητά της.

- Κατά τη μεταφορά, πρέπει να τοποθετείτε το προϊόν σε ασφαλή χώρο.

Απόρριψη

- Πρέπει να τηρείτε τους κρατικούς κανονισμούς.
- Χρησιμοποιήστε το τοπικό σύστημα ανακύκλωσης.
- Το προϊόν ή η συσκευασία του προϊόντος δεν αποτελεί οικιακό απόρριμμα. Ανακυκλώστε το σε κέντρο ανακύκλωσης ηλεκτρικού και ηλεκτρονικού εξοπλισμού.



Αξεσουά

Εγκεκριμένα κράνη

Το προϊόν πρέπει να χρησιμοποιείται μόνο με τα παρακάτω κράνη.

Μοντέλο	Τύπος εξαρτήματος κράνους	Γραφικό προσαρμογέα	Εγκεκριμένες διαστάσεις
Husqvarna Technical, H300	Προσαρμογέας H300	(Εικ. 21)	M/L
Husqvarna Spire	Προσαρμογέας Spire	(Εικ. 22)	L
KASK Zenith X			

Τεχνικά στοιχεία

Τεχνικά στοιχεία

Για τα τεχνικά στοιχεία του κάθε προϊόντος, ανατρέξτε στις παρακάτω εικόνες. Για περισσότερα τεχνικά

(Εικ. 2)

(Εικ. 3)

Για περισσότερες πληροφορίες σχετικά με το περιεχόμενο των τεχνικών στοιχείων, ανατρέξτε στον παρακάτω κατάλογο:

- F = Συχνότητες στις οποίες γίνεται μέτρηση της εξασθένησης.
- Mf = Μέση τιμή.
- Sf = Τυπική απόκλιση.
- APV (Mf-Sf) = Θεωρούμενη τιμή προστασίας.
- H = Τιμή εξασθένησης στις υψηλές συχνότητες (προβλεπόμενη μείωση της στάθμης θορύβου όταν $L_C-L_A = -2$ dB). M = Τιμή εξασθένησης στις μεσαίες συχνότητες (προβλεπόμενη μείωση της στάθμης θορύβου όταν $L_C-L_A = +2$ dB). L = Τιμή εξασθένησης στις χαμηλές συχνότητες (προβλεπόμενη μείωση της στάθμης θορύβου όταν $L_C-L_A = +10$ dB).

στοιχεία, ανατρέξτε στο δελτίο παραρτήματος τεχνικών στοιχείων σε αυτό το εγχειρίδιο χρήσης.

- SNR = Αξιολόγηση μονού αριθμού (η τιμή που αφαιρείται από τη μετρούμενη C-σταθμισμένη στάθμη ηχητικής πίεσης L_C , προκειμένου να εκτιμηθεί η ενεργή A-σταθμισμένη στάθμη ήχου μέσα στο αυτί).

Υπεύθυνος κατασκευαστής: H Husqvarna AB, SE-561 82 Huskvarna, Σουηδία, τηλ.: +46-36-146500.

Στάθμη θορύβου

Η λειτουργία ραδιοφώνου FM και η λειτουργία ακουστικών-μικροφώνου έχουν μέγιστη ισοδύναμη στάθμη θορύβου 82 dB (A).

Υλικά

Εξάρτημα	Υλικό	Εξάρτημα	Υλικό
Προστατευτικό εσωτερικού αυτιού	ABS	Ιμάντας κεφαλής	POM+TPE
Εξωτερική κούπα αυτιού, αριστερά	ABS	Περώνη κράνους	PA66GF30
Εξωτερική κούπα αυτιού, δεξιά	ABS+TPE	Ελατήριο περόνης κράνους	Χάλυβας
Ένθετα	PUR	Βίδες	Χάλυβας
Δακτύλιο σφράγισης	ABS+TPE		

Contenido

Introducción.....	58	Transporte, almacenamiento y eliminación.....	63
Seguridad.....	59	Accesorios.....	64
Montaje.....	60	Datos técnicos.....	64
Funcionamiento.....	61	Apéndice	229
Mantenimiento.....	63		

Introducción

Descripción del producto

El producto X-SYNC (HP500BT-01, HP500BT-02) es un protector auricular con comunicación dúplex completa integrada, *tecnología inalámbrica Bluetooth®* y radio

Descripción del producto

(Fig. 1)

1. Botón de sonido ambiental
2. Micrófono dependiente del nivel de ruido
3. Botón Bluetooth®
4. Micrófono de voz
5. Botón de modo
6. Toma del cable del cargador USB-C
7. Botón de subir el volumen
8. Botón de bajar el volumen
9. Botón de encendido/apagado
10. Salida del micrófono con brazo

Conformidad y certificaciones

Por la presente, Husqvarna AB, SE-561 82 Huskvarna, Sweden, tel: +46-36-146500 declara que el tipo de equipo de radio HP500BT-01 y HP500BT-01 cumple con 2014/53/EU, 2011/65/EU y la normativa (EU) 2016/425. La normativa 2016/425 sobre equipos de protección individual con sus modificaciones se aplica en el Reino Unido. El texto íntegro de la declaración de conformidad EU está disponible en la siguiente dirección de Internet: www.husqvarna.com; busque X-SYNC, HP500BT-01, HP500BT-02.

Los valores de atenuación y niveles de ruido del producto se han probado y aprobado de conformidad con la normativa siguiente: EN 352-1:2020 (de diadema), EN 352-3:2020 (de montaje en casco), EN 352-4:2020, EN 352-6:2020 y EN 352-8:2020.

El organismo notificado competente a efectos de la declaración de conformidad es: Número de organismo notificado 1974. PZT GmbH, Bismarckstraße 264 B, 26389 Wilhelmshaven, Germany.

Número del organismo autorizado del Reino Unido 0321. SATRA Technology Centre, Wyndham Way, Telford Way, Kettering, Northamptonshire, NN16 8SD, UK.

Certificación y supervisión de PZT.

FM. El modelo HP500BT-01 es un protector auricular con diadema y el modelo HP500BT-02 es un protector auricular para casco. El producto ofrece protección contra ruidos perjudiciales.

La batería está certificada según IEC62133, edición 2.



UK Importer:
Husqvarna UK Ltd
Preston Road, Co. Durham
DL5 6UP

Id. de la FCC: ZASHP500BT, Id. de IC: 23307-HP500BT

Declaración de conformidad de proveedores de la FCC para la parte responsable HP500BT-01, HP500BT-02.

Husqvarna Professional Products, Inc. 9335 Harris Corners Parkway Suite 500 Charlotte, NC 28269 (Estados Unidos).

Información de contacto de EE. UU.: Michael Campbell, Manager Product Compliance, teléfono: +1 704 597 5000.

Declaración de conformidad de la FCC:

Este dispositivo cumple los requisitos de la normativa de la FCC, parte 15. El funcionamiento está sujeto a las siguientes dos condiciones: (1) Este dispositivo no causará interferencias dañinas; y (2) este dispositivo debe aceptar cualquier interferencia recibida, incluidas las interferencias que puedan causar un funcionamiento no deseado del dispositivo.

Este equipo ha sido probado y se ha determinado que cumple con los límites para un dispositivo digital de Clase B, de acuerdo con la parte 15

de las normas de la FCC. Estos límites están diseñados para proporcionar una protección razonable contra interferencias perjudiciales en una instalación residencial. Este equipo genera, utiliza y puede irradiar energía de radiofrecuencia y, si no se instala y utiliza de acuerdo con las instrucciones, puede causar interferencias perjudiciales para las comunicaciones de radio. Sin embargo, no hay garantía de que no se produzcan interferencias en una instalación en particular. Si este equipo causa interferencias perjudiciales para la recepción de radio o televisión, lo que se puede determinar encendiendo y apagando el equipo, se recomienda al usuario que intente corregir la interferencia mediante una o más de las siguientes medidas:

- Aumente la distancia de separación entre el equipo y el receptor.
- Consulte a su distribuidor para recibir ayuda.

Para ver el marcado del producto, es preciso retirar el aro de sellado y el inserto de espuma de poliuretano en la orejera derecha.

Contiene módulo transmisor IC: 12246A-BM64S2

Este dispositivo cumple con la normativa de industria de Canadá con exención de licencia RSS.

El funcionamiento está sujeto a las siguientes dos condiciones: (1) este dispositivo no causará interferencias; y (2) este dispositivo debe aceptar cualquier interferencia, incluidas interferencias que puedan causar un funcionamiento no deseado del dispositivo.

Con arreglo a la normativa de industria de Canadá, este radiotransmisor solo debe funcionar con una antena de un tipo y una ganancia máxima (o menor) aprobados para el transmisor por Industry Canada. Para reducir las posibles interferencias de radio con otros usuarios, el tipo de antena y su ganancia deben elegirse de manera que la potencia isotrópica radiada equivalente (e.i.r.p.) no sea más de lo necesario para una comunicación correcta.

Para ver el marcado del producto, es preciso retirar el aro de sellado y el inserto de espuma de poliuretano en la orejera derecha.

Marcas comerciales registradas

Los logotipos y las denominaciones *Bluetooth®* son marcas comerciales registradas propiedad de *Bluetooth SIG, inc.* y su uso por parte de Husqvarna está sujeto a una licencia.

Seguridad

Definiciones de seguridad

Las advertencias, precauciones y notas se utilizan para destacar información especialmente importante del manual.



ADVERTENCIA: Indica un riesgo de lesiones o incluso de muerte del usuario o de las personas cercanas si no se respetan las instrucciones del manual.



PRECAUCIÓN: Indica un riesgo de daños en el producto, otros materiales o el área adyacente si no se respetan las instrucciones del manual.

Nota: Se usa para proporcionar más información necesaria en una situación determinada.

Seguridad general



ADVERTENCIA: Lea las siguientes instrucciones de advertencia antes de utilizar el producto.

- Utilice y conserve estas instrucciones.

- Para un ajuste y un funcionamiento óptimos, asegúrese de que ha seleccionado el producto correcto para su aplicación.
- No modifique ni desmonte piezas del producto. Realice únicamente los cambios que se indiquen en este manual de usuario.
- La capacidad del producto para atenuar el ruido se verá gravemente afectada si no sigue las instrucciones de este manual de usuario. Las orejeras, especialmente las almohadillas, pueden deteriorarse a causa del uso, por lo que se deben examinar con frecuencia para detectar posibles grietas o fugas. Consulte *Mantenimiento en la página 63*.
- Este producto puede verse afectado por algunas sustancias químicas. Si desea más información al respecto, puede solicitarla al fabricante. Mantenga el producto alejado de sustancias agresivas y límpielo con regularidad. Utilice un paño con agua y jabón. No lo lave ni lo sumerja en agua.
- Todos los servicios y trabajos de reparación debe llevarlos a cabo un servicio técnico autorizado. Utilice únicamente piezas de repuesto originales Husqvarna.
- No utilice nunca las orejeras durante más de 10 años a partir de la fecha de fabricación indicada en el embalaje.
- La funcionalidad del producto puede deteriorarse con el consumo de la batería.

Instrucciones de seguridad para el funcionamiento

- El usuario debe asegurarse de usar las orejeras siempre que se encuentre en entornos ruidosos.
- Extreme las precauciones y esté atento a escuchar las señales de advertencia cuando utilice el producto. El sonido de las señales de advertencia puede disminuir cuando utiliza el producto.
- Las señales de advertencia del lugar de trabajo específico pueden ser menos audibles mientras utiliza la función de entretenimiento.
- Asegúrese de que el producto no reciba golpes durante el transporte y el uso.
- Utilice el producto solo a temperaturas de entre -20 °C y +55 °C. Si lo utiliza a temperaturas fuera de este intervalo, el sistema electrónico, la batería y las partes mecánicas podrían sufrir daños.
- Asegúrese de que sabe cómo utilizar el producto antes de usarlo. Póngase en contacto con su taller de servicio si hay daños en el producto. ¡No abra la carcasa!
- La colocación de cubiertas higiénicas en las almohadillas puede afectar al rendimiento acústico de las orejeras. Utilice siempre accesorios originales.
- No presione las orejeras contra la calota del casco. Si lo hace, puede causar grietas en el lateral del casco.

(Fig. 4)

- No guarde el producto a temperaturas superiores a +55 °C, por ejemplo, en un salpicadero. No guarde el producto a temperaturas inferiores a -20 °C.
- El usuario debe asegurarse de colocarse, ajustarse y mantener las orejeras de acuerdo con las instrucciones de este manual de usuario.
- Las orejeras se suministran con una entrada de audio relacionada con la seguridad. El usuario debe consultar cómo utilizarlas correctamente antes de empezar. Si detecta alguna distorsión o avería, el usuario debe consultar las instrucciones del fabricante relativas al mantenimiento.

Seguridad de la batería

- Las orejeras se suministran con atenuación dependiente del nivel de ruido. El usuario debe consultar cómo utilizarlas correctamente antes de empezar. Si detecta algún fallo de funcionamiento o avería, el usuario debe consultar las instrucciones del fabricante relativas al mantenimiento.
- El producto contiene batería y componentes eléctricos que pueden provocar un incendio en atmósferas inflamables o explosivas. No utilice el producto en entornos donde las chispas puedan provocar incendio o explosión.
- Cargue el producto solamente dentro del intervalo de temperatura de 0 °C a +40 °C. La carga fuera de este rango puede dañar el sistema electrónico y la batería.

Montaje

Introducción



ADVERTENCIA: Mueva el pelo hacia un lado antes de montar el producto. Asegúrese de que los aros de sellado están apretados contra la cabeza y alrededor de las orejas antes de usar el producto.

Colocación de las orejeras con diadema

1. Colóquese la diadema encima de la cabeza.
2. Suba o baje las orejeras para ajustar la altura. (Fig. 5)

Montaje de las orejeras en un casco

1. Monte el tipo de adaptador de fijación correcto en la calota del casco. Consulte *Cascos homologados en la página 64*.
2. Monte la horquilla del casco en el adaptador de fijación. (Fig. 6)

Nota: Consulte *Cascos homologados en la página 64* para obtener más información sobre la fijación aplicable a su casco.

3. Mueva las orejeras a la posición más baja.
4. Tire de las orejeras hacia fuera y hacia arriba hasta que se bloqueen en la posición abierta. (Fig. 7)
5. Haga una marca en el cable.
 - a) Para el casco H300, haga una marca a 27 cm/11 pulg. (Y) de cada orejera.
 - b) Para el casco Spire Vent X, haga una marca a 14,5 cm/6 pulg. (Y) de cada orejera. (Fig. 8)
6. Ponga la fijación para el casco en la ranura del casco. (Fig. 9)
7. Siga las instrucciones de montaje para su casco homologado.



PRECAUCIÓN: Asegúrese de que el cable no esté torcido ni tenga un radio de curvatura pequeño. Asegúrese de que el cable se puede mover suavemente en la apertura del casco.

Montaje de las orejeras en el casco H300

1. Suelte el arnés de la cabeza del casco. (Fig. 10)
2. Fije el cable a los orificios con las bridas o los clips. (Fig. 11)
3. Si fija el cable con bridas, corte la brida y empuje el bloqueo de la brida hacia la ranura lateral.
4. Haga un lazo con el cable y fije el arnés de la cabeza y la protección del cuello. Asegúrese de que el cable esté entre la calota del casco y el arnés de la cabeza. (Fig. 12)

Montaje de las orejeras en el casco Spire Vent X

1. Coloque el cable en un lazo hacia atrás.
2. Fije el cable al arnés de la cabeza con bridas. Fije la brida pasándola a través de la banda trasera de la diadema.
3. Corte la brida.
4. Coloque el cable sobrante en un lazo hacia atrás, detrás de la parte trasera de la diadema. (Fig. 13)

Colocación de las orejeras en la posición de trabajo

1. Póngase el casco en la cabeza.

2. Ajuste las orejeras hasta que estén apretadas alrededor de las orejas y bien ceñidas a la cabeza. (Fig. 14)

Colocación de las orejeras en la posición abierta

- Tire de las orejeras hacia fuera y hacia arriba hasta que se bloqueen en la posición abierta. (Fig. 15)

Colocación de las orejeras hacia atrás

1. Ponga las orejeras en la posición abierta. Consulte *Colocación de las orejeras en la posición abierta en la página 61*.
2. Gire las orejeras hacia atrás por el lateral del casco hasta que queden encajadas atrás. (Fig. 16)

Conexión del micrófono con brazo

Utilice un micrófono con brazo en entornos con mucho ruido.

1. Coloque el filtro de viento en el micrófono con brazo.
2. Conecte el micrófono con brazo a la salida del micrófono en la orejera derecha. (Fig. 17)
3. Coloque el micrófono con brazo a 1 cm/0,4 pulg. (A) de la boca.

Funcionamiento

Introducción



ADVERTENCIA: Antes de utilizar el producto, debe leer y entender el capítulo sobre seguridad.

Carga del producto

1. Enchufe el conector USB-C del cable del cargador a la salida de la orejera izquierda. (Fig. 18)
2. Enchufe el conector USB del cable del cargador a un cargador USB u otra toma de corriente USB.

Nota: La salida de la toma de corriente debe ser de 5 V y 2 A para cargar a máxima capacidad.

Nota: El indicador LED del botón Bluetooth® parpadea lentamente en verde cuando la batería se está cargando. El indicador LED del botón Bluetooth® se ilumina en verde fijo cuando la batería está completamente cargada.

Puesta en marcha del producto

- Mantenga pulsado el botón de encendido/apagado durante 1 segundo.

Nota: El producto emitirá un pitido para indicar que está encendido. Un mensaje de audio le indica el estado de la batería y la cantidad de dispositivos que están conectados con la tecnología inalámbrica Bluetooth®.

Mensaje de audio
BATTERY HIGH
BATTERY MEDIUM
BATTERY LOW
BATTERY CRITICAL

Mensaje de audio	Indicador LED del botón Bluetooth®
ONE BLUETOOTH DEVICE CONNECTED	El LED está de color azul.
TWO BLUETOOTH DEVICES CONNECTED	

Cambio entre el modo de radio FM y el modo Bluetooth®

- Pulse el botón de modo rápidamente 2 veces para cambiar entre el modo de radio FM y el modo Bluetooth®.

Nota: Un mensaje de audio le indica qué modo ha seleccionado. Consulte la tabla siguiente.

Mensaje de audio
RADIO
BLUETOOTH

Modo de radio FM

En el modo de radio FM podrá acceder a la radio FM.

Cambio de emisora de radio FM

- Mantenga pulsado el botón de subir o bajar el volumen durante 1 segundo para cambiar de emisora de radio FM.

Modo Bluetooth®

En el modo Bluetooth®, puede conectar el producto a un dispositivo con tecnología inalámbrica Bluetooth®.

Emparejamiento mediante Bluetooth®

1. Mantenga pulsado el botón Bluetooth® durante 2 segundos para iniciar la función de emparejamiento de su producto.

Nota: La función de emparejamiento se inicia cuando se oye un pitido y el botón Bluetooth® parpadea en azul. La función de emparejamiento permanece activa durante 30 segundos.

2. Inicie la función de emparejamiento mediante la tecnología inalámbrica Bluetooth® en el dispositivo.
3. Si es necesario, seleccione Husqvarna X-COM Active en la lista de unidades de su dispositivo.

Nota: Un mensaje de audio le indica el estado del producto. Consulte la tabla siguiente.

Mensaje de audio	Indicador LED del botón Bluetooth®	Información
BLUETOOTH DEVICE CONNECTED	Azul fijo.	El producto está conectado a un dispositivo con tecnología inalámbrica Bluetooth®.

Mensaje de audio	Indicador LED del botón Bluetooth®	Información
BLUETOOTH CONNECTION FAILED	Rojo fijo durante 2 segundos.	El producto no está conectado a un dispositivo con tecnología inalámbrica Bluetooth®.

Nota: Un dispositivo con tecnología inalámbrica Bluetooth® que esté conectado a su producto, se conectará automáticamente a su producto la próxima vez que el producto se utilice con el dispositivo.

Cambio de la transmisión de audio

- Mantenga pulsado el botón de subir el volumen durante 0,5 segundos para seleccionar la siguiente transmisión de audio.
- Mantenga pulsado el botón de bajar el volumen durante 0,5 segundos para volver a la transmisión de audio anterior.

Interrupción o inicio de la transmisión de audio

- Pulse el botón de modo para detener o iniciar la transmisión de audio.

Aceptación, finalización o rechazo de una llamada telefónica

Si su dispositivo móvil está conectado al producto mediante la tecnología inalámbrica Bluetooth®, se oirá una señal en las orejeras cuando haya una llamada telefónica entrante.

- Pulse el botón de modo para aceptar o finalizar la llamada telefónica.
- Pulse el botón de modo durante 1 segundo para rechazar una llamada entrante.

Nota: Suena un pitido cuando se acepta o se rechaza la llamada telefónica.

Mensaje de audio	Información
CALL ENDED	La llamada telefónica ha finalizado.

Ajuste del volumen

- Pulse el botón de subir o bajar el volumen para ajustar el volumen. Un pitido le avisa al alcanzar el volumen mínimo o máximo.

Ajuste del modo de sonido ambiente

El modo de sonido ambiente le permite escuchar los sonidos que le rodean.

- Pulse el botón de sonido ambiente.

Nota: Un mensaje de audio le indica el estado del modo de sonido ambiente.

Mensaje de audio
AMBIENT LEVEL HIGH
AMBIENT LEVEL MEDIUM
AMBIENT LEVEL LOW
AMBIENT LEVEL OFF

Parada del producto

- Mantenga pulsado el botón de encendido/apagado durante 1 segundo.

Nota: Un mensaje de audio le indica el estado de la batería y los indicadores LED se apagan. El producto emitirá un pitido para indicar que está apagado.

Forzado de la detención del producto

- Mantenga pulsado el botón de encendido/apagado durante 12 segundos.

Mantenimiento

Mantenimiento del producto



PRECAUCIÓN: No enjuague ni sumerja el producto en agua.



PRECAUCIÓN: Los pulverizadores, líquidos u otros agentes de limpieza que contengan disolventes o alcohol pueden reducir la función de protección.



PRECAUCIÓN: Utilice piezas de repuesto originales Husqvarna.

1. Limpie el producto con regularidad. Utilice un paño con una solución jabonosa suave.
2. Realice una comprobación del estado de los aros de sellado y los insertos de gomaespuma antes de cada uso.
3. Sustituya los aros de sellado y los insertos de gomaespuma cada 6 meses o más a menudo si es necesario. Asegúrese de que el orificio de ventilación del aro de sellado apunte hacia abajo durante el montaje. Utilice el kit de higiene original que incluye los aros de sellado y los insertos de gomaespuma. Para obtener más información sobre el kit de higiene, consulte www.husqvarna.com. (Fig. 19)

Nota: Si el interior de las orejeras está húmedo, déjelas secar en la posición retirada hacia atrás. Consulte *Colocación de las orejeras hacia atrás en la página 61*.

4. Sustituya la membrana del micrófono de voz si está dañada.
5. Sustituya el filtro de viento del micrófono dependiente del nivel de ruido si está dañado.
6. Sustituya el filtro de viento situado en el micrófono con brazo si está dañado.
7. Sustituya la almohadilla de confort de la diadema si es necesario. (Fig. 20)

Transporte, almacenamiento y eliminación

Transporte y almacenamiento



PRECAUCIÓN: Durante el transporte y el almacenamiento, coloque las orejeras en la posición de funcionamiento para reducir el desgaste del material plástico.

- Coloque las orejeras en la posición de trabajo. Consulte *Colocación de las orejeras en la posición de trabajo en la página 61*.
- Asegúrese de que los aros de sellado no están comprimidos.
- Coloque el producto en un lugar seco y limpio.
- Proteja el producto de la luz del sol durante el almacenamiento.

- Cargue la batería cada 6 semanas para mantener la calidad de la batería.
- Coloque el producto en un lugar seguro durante el transporte.

- Ni el producto ni su embalaje son residuos domésticos. Recíclelos en un centro de reciclaje para equipos eléctricos y electrónicos.



Eliminación

- Cumpla con las normas nacionales.
- Respete el sistema de reciclaje local.

Accesorios

Cascos homologados

Utilice el producto solo con los cascos indicados a continuación.

Modelo	Tipo de fijación del casco	Imagen del adaptador	Tallas homologadas
Husqvarna Technical, H300	Adaptador H300	(Fig. 21)	M/L
Husqvarna Spire	Adaptador Spire	(Fig. 22)	L
KASK Zenith X			

Datos técnicos

Datos técnicos

Consulte las ilustraciones siguientes para conocer los datos técnicos de cada producto. Para obtener más

datos técnicos, consulte el apéndice de datos técnicos de este manual de usuario.

(Fig. 2)

(Fig. 3)

Para obtener más información sobre el contenido de los datos técnicos, consulte la lista siguiente:

- F = frecuencias a las que se mide la atenuación.
- Mf = valor medio.
- Sf = desviación estándar.
- APV (Mf-Sf) = valor de protección asumido.
- H = valor de atenuación de alta frecuencia (reducción estimada del nivel de ruido donde $L_C - L_A = -2$ dB). M = valor de atenuación de media frecuencia (reducción estimada del nivel de ruido donde $L_C - L_A = +2$ dB). L = valor de atenuación de baja frecuencia (reducción estimada del nivel de ruido donde $L_C - L_A = +10$ dB).

- SNR = valor numérico único (el valor que se restará de la media ponderada C del nivel de presión sonora medido, L_C , a fin de estimar el nivel sonoro ponderado A en el interior del oído).

Fabricante responsable: Husqvarna AB, SE-561 82 Huskvarna (Suecia), tel.: +46 36 146500.

Nivel sonoro

El modo de radio FM y el modo de auriculares cuentan con un nivel sonoro máximo equivalente de 82 dB(A).

Materiales

Pieza	Material	Pieza	Material
Cúpula interior auricular	ABS	Diadema	POM+TPE

Pieza	Material	Pieza	Material
Cúpula exterior auricular, izquierda	ABS	Horquilla de casco	PA66GF30
Cúpula exterior auricular, derecha	ABS+TPE	Muelle de horquilla de casco	Acero
Insertos	PUR	Tornillos	Acero
Aros de sellado	ABS+TPE		

Sisukord

Sissejuhatus.....	66	Transportimine, hoieulepanek ja utiliseerimine.....	71
Ohutus.....	67	Lisavarustus.....	71
Kokkupanek.....	68	Tehnilised andmed.....	71
Töö.....	69	Lisa	229
Hooldamine.....	70		

Sissejuhatus

Toote kirjeldus

Toode X-SYNC (HP500BT-01, HP500BT-02) on integreeritud täisduplekside, *Bluetooth® juhtmevaba*

tehnoloogia ja FM-raadioga kõrvaklapid. Mudel HP500BT-01 on peavõruka kõrvaklapid ja mudel HP500BT-02 on kiivri jaoks mõeldud kõrvaklapid. Toode kaitseb kahjuliku müra eest.

Toote tutvustus

(Joon. 1)

1. Ümbritseva heli nupp
2. Tasandist sõltuv mikrofon
3. Bluetooth®-i nupp
4. Kõnemikrofon
5. Režiiminupp
6. USB-C laadijajuhtme pistikupesa
7. Helitugevuse suurendamise nupp
8. Helitugevuse vähendamise nupp
9. ON/OFF nupp
10. Poomiga mikrofoni pistikupesa



UK Importer:
Husqvarna UK Ltd
Preston Road, Co. Durham
DL5 6UP

Nõuetele vastavus ja heakskiidud

Käesolevaga kinnitab Husqvarna AB SE-561 82 Huskvarna, Sweden, tel: +46-36-146500, et raadioseadme tüüp HP500BT-01 ning HP500BT-01 on kooskõlas 2014/53/EU, 2011/65/EU ja määrusega (EU) 2016/425. Isikukaitsevahendite määrus 2016/425, mida on kohandatud nii, et see kehtiks Suurbritannias. ELi vastavusdeklaratsiooni ja Ühendkuningriigi vastavusdeklaratsiooni täistekst on kättesaadav järgmisel internetiaadressil: www.husqvarna.com; otsige X-SYNC, HP500BT-01, HP500BT-02.

Toote summutusväärtusi ja mürataseme väärtusi on testitud vastavalt järgmistele standarditele: EN 352-1:2020 (peavõru), EN 352-3:2020 (paigaldatud kiiver) EN 352-4:2020, EN 352-6:2020 ja EN 352-8:2020.

Vastavust hindas järgmine teavitatud asutus: Teavitatud asutuse number 1974. PZT GmbH, Bismarckstraße 264 B, 26389 Wilhelmshaven, Germany.

Ühendkuningriigi heakskiidetud asutuse number 0321. SATRA Technology Centre, Wyndham Way, Telford Way, Kettering, Northamptonshire, NN16 8SD, UK.

Sertifitseerimine ja järelevalve PZT poolt.

Aku on sertifitseeritud vastavalt IEC62133 väljaandele 2.

FCC ID: ZASHP500BT, IC ID: 23307-HP500BT

FCC tarijate vastavusdeklaratsioon HP500BT-01, HP500BT-02 vastutavale osapolele.

Husqvarna Professional Products, Inc. 9335 Harris Corners Parkway Suite 500 Charlotte, NC 28269 United states.

Kontaktandmed Ameerika Ühendriikides: Michael Campbell, toote vastavuse juht, telefon: +1 704 597 5000.

FCC vastavusavaldus:

See seade vastab FCC eeskirjade 15. osa nõuetele. Kasutamisele kohalduvad kaks järgmist tingimust: (1) see seade ei tohi põhjustada kahjulikke häireid ja (2) see seade peab vastu võtma mis tahes häired, sealhulgas tööd soovimatult mõjutada võivad häired.

Seadet on katsetatud ja on jõutud järeldusele, et see vastab FCC reeglite 15. osas sätestatud B-klassi digitaalsete seadmete nõuetele. Nimetatud nõuete eesmärk on tagada piisav kaitse kahjulike häirete eest tavakasutusel. Seade tekitab, kasutab ja võib kiirata raadiosageduslikku energiat. Kui seadet ei paigaldata ega kasutata vastavalt juhistele, võib see segada

raadiosideseadmete tööd. Häireid võib siiski esineda iga paigalduse korral. Kui seade häirib raadio- või telesignaali vastuvõttu, mida saab kindlaks teha seadme korraks sisse- ja väljalülitamisega, saab vastuvõetava signaali segamise vähendamiseks teha järgmist.

- Suurendage seadme ja vastuvõtja vahelist kaugust.
- Küsige abi edasimüüjalt.

Toote märgistuste nägemiseks eemaldage parema kõrvaklapi kõrvapadi ja vahtkummi sisu.

Sisaldab saatja moodulit IC: 12246A-BM64S2

Seade vastab Industry Canada litsentseerimisest vabastatud RSS standardi(te)le. Kasutamisele kohalduvad kaks järgmist tingimust: (1) see seade ei tohi põhjustada häireid ja (2) see seade peab vastu võtma mis tahes häired, sealhulgas tööd soovimatult mõjutada võivad häired.

Industry Canada määruste kohaselt tohib seda raadiosaatjat kasutada ainult antenniga, mille tüüp ja maksimaalne (või minimaalne) võimendus vastab Industry Canada poolt saatja jaoks lubatud väärtustele. Teistele kasutajatele tekitatavate võimalike raadiosageduslike häirete vähendamiseks tuleb valida antenni tüüp ja võimendus nii, et ekvivalentne isotroopne kiirgusvõimsus (EIRP) poleks suurem, kui on vajalik side tagamiseks.

Toote märgistuste nägemiseks eemaldage parema kõrvaklapi kõrvapadi ja vahtkummi sisu.

Registreeritud kaubamärgid

Bluetooth® -i sõnamärk ja logod on ettevõtte *Bluetooth SIG, inc.* registreeritud kaubamärgid ja ettevõtte Husqvarna kasutab neid litsentsi alusel.

Ohutus

Ohutuse määratlused

Mõistetega „hoiatus“, „ettevaatus“ ja „märkus“ juhitakse tähelepanu eriti olulistele kohtadele kasutusjuhendis.



HOIATUS: Tähistab kasutusjuhendi juhiste eiramise korral kasutaja või kõrvalseisjate kehavigastuse või surmaga lõppeva õnnetuse ohtu.



ETTEVAATUST: Tähistab kasutusjuhendi juhiste eiramise korral seadme, muude esemete või läheduses asuvate objektide kahjustamise ohtu.

Märkus: Tähistab antud olukorras vajalikku lisateavet.

Üldine ohutus



HOIATUS: Enne toote kasutamist lugege läbi järgmised hoiatused.

- Järgige neid juhiseid ja hoidke need alles.
- Optimaalse sobivuse ja talituse tagamiseks veenduge, et olete valinud enda rakenduse jaoks sobiva toote.
- Ärge vahetage ega eemaldage toote osaid. Vahetage ainult selles kasutusjuhendis välja toodud osasid.
- Selle kasutusjuhendi eiramise tagajärjel võib toote mürasummutusvõime märkimisväärselt halveneda. Kõrvaklapid, eriti padjad, võivad kasutamisel kuluda ja neid tuleb regulaarselt kontrollida pragude ja lekete suhtes. Vt jaotisest *Hooldamine lk 70*.

- Teatud keemilised ained võivad seda toodet tugevalt kahjustada. Lisainfot saate tootjalt. Kaitske toodet argessiivsete ainete eest ja puhastage seda regulaarselt. Kasutage lappi vee ja seebiga. Ärge peske ega kastke täielikult vette.
- Kõik hooldus- ja remonditööd tuleb lasta teha heakskiidetud hooldustöökojas. Kasutage ainult Husqvarna originaalvaruosi.
- Ärge kunagi kasutage kõrvaklappe kauem kui 10 aastat pakendile märgitud tootmiskuupäevast.
- Toote funktsionaalsus võib akukulu tõttu halveneda.

Ohutusjuhised kasutamisel

- Kandja peab veenduma, et ta kannaks kõrvaklappe alati, kui ta viibib müra-rikkas keskkonnas.
- Olge toodet kasutades ettevaatlikum ja kuulake hoiatussignaale. Toodet kasutades võivad olla hoiatussignaalid vaiksemad.
- Hoiatussignaalide kuuldavus teatud töökohas võib olla meelelahutusfunktsioone kasutades vähendatud.
- Veenduge, et toode ei saaks transportimise ja kasutamise ajal pörutada.
- Kasutage toodet ainult temperatuuril vahemikus -20...55 °C. Kui kasutate toodet muudel temperatuuridel, võivad saada kahju elektroonika ja mehaanilised osad.
- Enne kasutamist tehke toote kasutamine endale selgeks. Kui toode on saanud kahju, võtke ühendust hooldusesindajaga. Ärge avage korpus!
- Hügieenikatete paigaldamine kõrvapahtjatele võib vähendada kõrvaklappide akustilist toimet. Kasutage alati originaaltarvikuid.
- Ärge suruge kõrvaklappe vastu kiivri kesta. See võib tekitada mõrasid ümber kiivri ääre.

(Joon. 4)

- Ärge hoidke toodet temperatuuril üle 55 °C, näiteks armatuurilaual. Ärge hoidke toodet temperatuuril alla –20 °C.
- Kandja peab veenduma, et kõrvaklapid oleksid paigaldatud, reguleeritud ja hooldatud selle kasutusjuhendi juhiste järgi.
- Kõrvaklapid on varustatud ohutuse tagamiseks ette nähtud helisendiga. Kasutaja peab enne kasutamist veenduma, et ta mõistaks toote käsitsemispõhimõtteid. Moonutuse või rikke korral peab kasutaja järgima tootja hooldusjuhiseid.

Aku ohutus

- Kõrvaklapp on varustatud tasemest sõltuva sumbumisega. Kasutaja peab enne kasutamist

kontrollima korrektset toimimist. Rikke või kahjustuse tuvastamisel peab kasutaja järgima tootja hooldusjuhiseid.

- Toode sisaldab akut ning elektrilisi komponente, mis võivad tule- või plahvatusohtlikus keskkonnas tulekahju põhjustada. Ärge kasutage toodet keskkonnas, kus sädemed võivad tulekahju või plahvatus põhjustada.
- Laadige toodet ainult temperatuurivahemikus 0...40 °C. Laadimine väljaspool seda temperatuurivahemikku võib kahjustada elektroonikat ja akut.

Kokkupanek

Sissejuhatus



HOIATUS: Enne toote kinnitamist lükake juuksed kõrvale. Enne toote kasutamist veenduge, et kõrvapadjad oleksid tihedalt vastu pead ja ümber kõrvade.

Peavõruga kõrvaklappide paigaldamine

1. Pange peavõru pea peale.
2. Suuruse reguleerimiseks liigutage kõrvaklappe üles või alla. (Joon. 5)

Kõrvaklappide kinnitamine kiivri külge

1. Paigaldage kiivri katele õige adapteri kinnituse tüüp. Vt jaotisest *Heaks kiidetud kiivrid lk 71*.
2. Paigaldage kiivri kahvel lisatarviku adapterile. (Joon. 6)

Märkus: Vt jaotisest *Heaks kiidetud kiivrid lk 71* lisateabe saamiseks selle kohta, milline kiivri lisatarvik teie kiivri jaoks sobib.

3. Reguleerige kõrvaklapid kõige alumisse asendisse.
4. Tõstke kõrvaklapid välja ja üles, kuni need lukustuvad ooteasendisse. (Joon. 7)
5. Tehke juhtmele märk.
 - a) Kiivri H300 puhul tehke märgistus kumbagist kõrvaklapist 27 cm/11 tolli (X) kauguselt.
 - b) Kiivri Spire Vent X puhul tehke märgistus kumbagist kõrvaklapist 14,5 cm/6 tolli (Y) kauguselt. (Joon. 8)
6. Pange kiivrikinnitus kiivri olevasse pessa. (Joon. 9)
7. Jätkake vastavalt oma heakskiidetud kiivri paigaldusjuhiste.



ETTEVAATUST: Veenduge, et juhe poleks väändunud ega väikese väänderaadiusega. Veenduge, et juhe liigub sujuvalt kiivri avasse.

Kõrvaklappide kinnitamine kiivri külge H300

1. Vabastage kiivri pearihm. (Joon. 10)
2. Kinnitage kaabel kaablisidemete või klambritega avade külge. (Joon. 11)
3. Kui kinnitate kaabli kaablisidemetega, lõigake kaabliside parajaks ja lükake kaablisideme kinnitus külgsessa.
4. Tehke juhtmesse silmus ning kinnitage pearihm ja kaelakaitse. Veenduge, et juhe oleks kiivri kesta ja pearihma vahel. (Joon. 12)

Kõrvaklappide kinnitamine kiivri külge Spire Vent X

1. Pange juhe tahapoole silmusesse.
2. Kinnitage juhe juhtmevitstega pearihma külge. Pange juhtmevits läbi peavõru tagumise rihma.
3. Lõigake juhtmevitsa ots maha.
4. Asetage kaabli ülejäänud osa ringikujuliselt tagumise peavõru taha. (Joon. 13)

Kõrvaklappide tööasendisse panemine

1. Pange kiiver pähe.
2. Reguleerige kõrvaklappe, kuni need on tihedalt ümber kõrvade ja tugevalt vastu pead. (Joon. 14)

Kõrvaklappide ooteasendisse panemine

- Tõstke kõrvaklapid välja ja üles, kuni need lukustuvad ooteasendisse. (Joon. 15)

Kõrvaklappide hoiuasendisse panemine

1. Pange kõrvaklapid ooteasendisse. Vt jaotisest *Kõrvaklappide ooteasendisse panemine lk 68*.

2. Pöörake kõrvaklapid tahapoole kiivri külgedele, kuni need lukustuvad hoiuasendisse. (Joon. 16)

Poomiga mikrofone ühendamine

Kasutage varsmikrofoni valju müraga keskkondades.

1. Kinnitage tuulefilter poomiga mikrofone külge.
2. Ühendage poomiga mikrofon paremal kõrvaklapil oleva mikrofone pistikupessa. (Joon. 17)
3. Asetage poomiga mikrofon 1 cm/0,4 tolli (A) kaugusele suust.

Töö

Sissejuhatus



HOIATUS: Enne seadme kasutamist lugege põhjalikult läbi ohutust puudutav jaotis.

Toote laadimine

1. Ühendage laadijajuhtme USB-C-pistik vasaku kõrvaklapi pistikupessa. (Joon. 18)
2. Ühendage laadijajuhtme USB-pistik USB-laadija või muu USB-pistikupesaga.

Märkus: Maksimaalsel võimsusel laadimiseks peab pistikupesa väljund olema 5 V ja 2 A.

Märkus: Bluetooth® nupu LED-märgutuli vilgub aku laadimise ajal aeglaselt roheliselt. Bluetooth® nupu LED-indikaator põleb roheliselt, kui aku on täielikult laetud.

Toote käivitamine

- Vajutage ja hoidke ON/OFF nuppu üks sekund all.

Märkus: Piiks annab märku, et toode on sisse lülitatud. Helisõnum annab teada aku olekust ja Bluetooth® juhtmevaba tehnoloogiaga ühendatud seadmete arvust.

Heliteade
BATTERY HIGH
BATTERY MEDIUM
BATTERY LOW
BATTERY CRITICAL

Heliteade	Bluetooth® nupu LED-märgutüli
ONE BLUETOOTH DEVICE CONNECTED	LED-tuli on sinine.
TWO BLUETOOTH DEVICES CONNECTED	

FM-raadiorežiimi ja Bluetooth® režiimi vahetamine

- FM-raadiorežiimi ja Bluetooth® režiimi vahetamiseks vajutage 2 korda kiiresti režiiminuppu.

Märkus: Heliteade näitab, millise režiimi olete valinud. Vt allpool olevat tabelit.

Heliteade
RADIO
BLUETOOTH

FM-raadio režiim

FM-raadio režiimis saate kuulata FM-raadiot.

FM-raadiojaama muutmine

- FM-raadiojaama vahetamiseks vajutage ja hoidke helitugevuse suurendamise nuppu või helitugevuse vähendamise nuppu 1 sekundi vältel all.

Bluetooth® režiim

Bluetooth® režiimis saate ühendada oma toote Bluetooth® juhtmevaba tehnoloogiaga seadmega.

Sidumistoimingu Bluetooth® sooritamine

1. Seadme sidumise alustamiseks vajutage ja hoidke Bluetooth® nuppu 2 sekundit all.

Märkus: Sidumine algab, kui kuulete piiksu ja Bluetooth® nupp vilgub siniselt. Sidumistoiming kestab 30 sekundit.

2. Alustage seadmes Bluetooth® juhtmevaba tehnoloogia sidumist.
3. Vajaduse korral valige seadme ühikute loendist suvand Husqvarna X-COM Active.

Märkus: Heliteade teavitab teid toote olekust. Vt allpool olevat tabelit.

Heliteade	Bluetooth® nupu LED-märgutüli	Teave
BLUETOOTH DEVICE CONNECTED	Ühtlane sinine.	Toode on ühendatud Bluetooth® juhtmevaba tehnoloogiaga seadmega.
BLUETOOTH CONNECTION FAILED	2 sekundit pidevalt punane.	Toode ei ole ühendatud Bluetooth® juhtmevaba tehnoloogiaga seadmega.

Märkus: Bluetooth®juhtmevaba tehnoloogiaga seade, mis on ühendatud teie tootega, ühendub järgmisel korral, kui toodet seadmega kasutatakse automaatselt.

Heli voogesituse muutmine

- Järgmise heli voogesituse valimiseks vajutage ja hoidke helitugevuse suurendamise nuppu 0,5 sekundit all.
- Eelmise heli voogesituse juurde naasmiseks vajutage ja hoidke helitugevuse vähendamise nuppu 0,5 sekundit all.

Heli voogesituse peatamine või alustamine

- Heli voogesituse peatamiseks või alustamiseks vajutage režiiminuppu.

Telefonikõne vastuvõtmiseks, lõpetamiseks või tühistamiseks

Kui teie mobiilsideseadet on ühendatud tootega Bluetooth® juhtmevaba tehnoloogia abil, kostub sissetuleva telefonikõne ajal kõrvaklappides signaal.

- Telefonikõne vastuvõtmiseks või lõpetamiseks vajutage režiiminuppu.
- Sissetulevast telefonikõnest loobumiseks vajutage 1 sekund režiiminuppu.

Märkus: Piiks annab märku, kui telefonikõne on vastu võetud või tagasi lükatud.

Heliteade	Teave
CALL ENDED	Telefonikõne on lõppenud.

Helitugevuse reguleerimine

- Helitugevuse reguleerimiseks vajutage helitugevuse suurendamise või vähendamise nuppu. Piiks annab märku, kui helitugevus on minimaalsel või maksimaalsel tasemel.

Ümbritseva heli režiimi valimine

Ümbritseva heli režiim võimaldab teil kuulata ümbritsevaid helisid.

- Vajutage ümbritseva heli nuppu.

Märkus: Heliteade näitab ümbritseva heli režiimi olekut.

Heliteade
AMBIENT LEVEL HIGH
AMBIENT LEVEL MEDIUM
AMBIENT LEVEL LOW
AMBIENT LEVEL OFF

Toote seiskamine

- Vajutage ja hoidke ON/OFF nuppu üks sekund all.

Märkus: Heliteade annab teada aku olekust ja LED-märgutuled kustuvad. Piiks annab märku, et toode on välja lülitatud.

Toote sundseiskamine

- Vajutage ja hoidke ON/OFF nuppu 12 sekundit all.

Hooldamine

Toote hooldamine



ETTEVAATUST: Ärge peske ega kastke toodet täielikult vette.



ETTEVAATUST: Pihustid, vedelikud või muud puhastusvahendid, mis sisaldavad lahusteid ja/või alkoholi, võivad vähendada kaitsefunktsiooni.



ETTEVAATUST: Kasutage Husqvarna originaalvaruosi.

1. Puhastage toodet regulaarselt. Kasutage lappi ja nõrka seebilahust.
2. Kontrollige enne igat kasutuskorda tihendusrõngaid ja nende vahtkummist sisu.
3. Vahetage tihendusrõngaid ja vahtkummist sisu iga 6 kuu järel või vajaduse korral sagedamini. Veenduge, et tihendusrõngaste õhuauk oleks kokkupaneku ajal allapoole suunatud. Kasutage originaalhügieenikomplekti, mis sisaldab tihendusrõngaid ja vahtkummist sisu. Hügieenikomplekti kohta lisateabe saamiseks vt www.husqvarna.com (Joon. 19)

Märkus: Kui kõrvaklapid on seest niisked, laske neil hoiuasendis kuivada. Vt jaotisest *Kõrvaklappide hoiuasendisse panemine lk 68*.

4. Kahjustatud mikrofoni membraan tuleb asendada.
5. Tasemest sõltuva mikrofoni tuulefilter tuleb kahjustumise korral asendada.
6. Poomiga mikrofoni tuulefilter tuleb kahjustumise korral asendada.
7. Vajaduse korral asendage kõrvaklappide peavõru Comfort Pad. (Joon. 20)

Transportimine, hoiulepanek ja utiliseerimine

Transportimine ja hoiustamine



ETTEVAATUST: Transportimise ja hoiustamise ajal asetage kõrvaklapid tööasendisse, et vähendada plastmaterjali kulumist.

- Pange kõrvaklapid tööasendisse. Vt jaotisest *Kõrvaklappide tööasendisse panemine lk 68*.
- Veenduge, et kõrvapadjad poleks tugevalt kokku surutud.
- Pane toode kuiva ja puhtasse kohta.
- Hoidke toodet hoiustamise ajal päikesevalguse eest kaitstult.
- Aku kvaliteedi säilitamiseks laadige akut iga 6 nädala järel.

- Transportimise ajaks pane toode kindlasse kohta.

Utiliseerimine

- Järgige riiklikke eeskirju.
- Kasutage kohalikku ringlussevõtusüsteemi.
- Toode või toote pakend ei kuulu olmejäätmete hulka. Toimetage see elektri- ja elektroonikajäätmete vastuvõtupunkti.



Lisavarustus

Heaks kiidetud kiivrid

Kasutage toodet ainult allpool loetletud kiivritega.

Mudel	Kivri lisatarviku tüüp	Adapteri graafika	Heaks kiidetud mõõtmed
Husqvarna Technical, H300	Adapter H300	(Joon. 21)	M/L
Husqvarna Spire	Adapter Spire	(Joon. 22)	L
KASK Zenith X			

Tehnilised andmed

Tehnilised andmed

Vaadake toodete tehnilisi andmeid järgmistelt joonistelt. Täpsemaid tehnilisi andmeid saate vaadata käesoleva kasutusjuhendi tehniliste andmete lisalehelt.

(Joon. 2)

(Joon. 3)

Tehniliste andmete sisu kohta lisateabe saamiseks vaadake järgnevat nimekirja.

- F = sagedused, millel mürasummutust mõõdetakse.
- Mf = keskmine väärtus.
- Sf = standardhälve.
- APV (Mf-Sf) = eeldatav kaitseväärtus.
- H = kõrgsagedusliku müra summutusväärtus (prognoositav mürataseme vähenemine, kui $L_C - L_A = -2$ dB). M = kesksagedusliku müra summutusväärtus (prognoositav mürataseme vähenemine, kui $L_C - L_A = +2$ dB). L = madalsagedusliku müra summutusväärtus (prognoositav mürataseme vähenemine, kui $L_C - L_A = +10$ dB).

- SNR = hinnanguline keskmine mürasummutus (väärtus, mis lahutatakse C-filtriga korrigeeritud helirõhutases, L_C , et prognoosida tegelikku A-filtriga korrigeeritud mürataset kõrvas).

Vastutav tootja: Husqvarna AB, SE-561 82 Husqvarna, Rootsi, tel: +46 3614 6500.

Müratase

FM-raadio režiimi ja peakomplekti režiimi maksimaalne ekvivalentne helirõhutase on 82 dB (A).

Materjalid

Osa	Materjal	Osa	Materjal
Sisemine kõrvaklapp	ABS	Peavõru	POM+TPE
Väliline kõrvaklapp, vasak	ABS	Kiivri kahvel	PA66GF30
Väliline kõrvaklapp, parem	ABS+TPE	Kiivri kahvli vedru	Teras
Sisud	PUR	Kruvid	Teras
Kõrvapadjad	ABS+TPE		

Sisällys

Johdanto.....	73	Kuljettaminen, säilyttäminen ja hävittäminen.....	78
Turvallisuus.....	74	Tarvikkeet.....	78
Asentaminen.....	75	Tekniset tiedot.....	79
Käyttö.....	76	Liite	229
Huolto.....	78		

Johdanto

Tuotekuvaus

Tuote X-SYNC (HP500BT-01, HP500BT-02) on kuulonsuojain, jossa on integroitu kaksisuuntainen tiedonsiirto ja joka on varustettu langattomalla

Tuotteen kuvaus

(Kuva 1)

1. Ympäristön äänet -painike
2. Äänenvoimakkuuden mukaan säätävä mikrofoni
3. Bluetooth®-painike
4. Puhemikrofoni
5. Tilapainike
6. USB-C-laturin kaapelin lähtö
7. Äänenvoimakkuuden lisäspainike
8. Äänenvoimakkuuden vähennyspainike
9. Virtapainike
10. Puomimikrofonin lähtö

Vaatimustenmukaisuus ja hyväksynät

Husqvarna AB SE-561 82 Huskvarna, Sweden, tel: +46-36-146500, vakuuttaa täten, että radiolaitteet mallia HP500BT-01 ja HP500BT-01 täyttävät direktiivien 2014/53/EU, 2011/65/EU sekä asetuksen (EU) 2016/425 vaatimukset. Lisäksi laitteet täyttävät henkilösuojaimia koskevan asetuksen 2016/425, sellaisena kuin sitä sovelletaan Isonsa-Britanniassa, vaatimukset. EU:n vaatimustenmukaisuusvakuutuksen sekä Yhdistyneen kuningaskunnan vaatimustenmukaisuusvakuutuksen koko teksti on luettavissa osoitteessa www.husqvarna.com, (käytettävät hakusanat: X-SYNC, HP500BT-01, HP500BT-02).

Tuotteen vaimennusarvot ja äänitasot on testattu ja hyväksytty seuraavien mukaisesti: EN 352-1:2020 (sankamalli), EN 352-3:2020 (kypäräkiinnitteinen), EN 352-4:2020, EN 352-6:2020 ja EN 352-8:2020.

Vaatimustenmukaisuustarkistukseen osallistunut ilmoitettu tarkastuslaitos on: Ilmoitetun laitoksen numero on 1974. PZT GmbH, Bismarckstraße 264 B, 26389 Wilhelmshaven, Germany.

Hyväksytyin laitoksen UK-numero on 0321. SATRA Technology Centre, Wyndham Way, Telford Way, Kettering, Northamptonshire, NN16 8SD, UK.

Bluetooth®-yhteydellä sekä FM-radiolla. Malli HP500BT-01 on sankamallinen kuulonsuojain ja malli HP500BT-02 on kypäräkiinnitteinen kuulonsuojain. Tuote suojaa haitalliselta melulta.

PZT:n sertifioima ja valvoma.

Akulla on IEC62133 2 version 2 -sertifointi.



UK Importer:
Husqvarna UK Ltd
Preston Road, Co. Durham
DL5 6UP

FCC ID: ZASHP500BT, IC ID: 23307-HP500BT

FCC-toimittajien tuotteista HP500BT-01, HP500BT-02 vastaavan osapuolen vaatimustenmukaisuusvakuutus.

Husqvarna Professional Products, Inc. 9335 Harris Corners Parkway Suite 500 Charlotte, NC 28269 United States.

Yhteystiedot Yhdysvalloissa: Michael Campbell, Manager Product Compliance, puhelin: +1 704 597 5000.

FCC-vaatimustenmukaisuusvakuutus

Tämä laite täyttää FCC:n sääntöjen osan 15 vaatimukset. Seuraavat kaksi ehtoa koskevat käyttöä: (1) laite ei saa aiheuttaa haitallisia häiriöitä ja (2) laitteeseen on hyväksyttävä kaikki vastaanotettu häiriö silloinkin, kun se aiheuttaa ei-toivottua toimintaa.

Tämä laite on testattu ja sen on havaittu noudattavan FCC:n sääntöjen osassa 15 kuvattuja luokan B digitaalisen laitteen rajoituksia. Rajoitusten tarkoitus

on taata kohtuullinen suoja haitallisilta häiriöiltä asuinalueilla. Laitte tuottaa, käyttää ja saattaa säteillä radiotaajuusenergiaa ja saattaa häiritä radioliikennettä, jos laitetta ei ole asennettu ja käytetty ohjeiden mukaisesti. Minkään asennuksen häiriöttömyyttä ei kuitenkaan voida taata. Jos laite häiritsee radio- tai televisiolikennettä, mikä voidaan määrittää katkaisemalla laitteen virta ja kytkemällä se uudelleen, käyttäjä voi yrittää korjata häiriön seuraavasti:

- Vie laite kauemmaksi vastaanotimesta.
- Kysy lisätietoja myyjältä.

Tuotteessa olevan merkinnän voi tarkistaa irrottamalla oikean kuulonsuojaimen tiivistysrenkaan ja vaahtokumipehmusteen.

Sisältää lähetinmoduulin IC: 12246A-BM64S2

Tämä laite on Kanadan teollisuusministeriön lisenssistä vapautettujen RSS-standardien mukainen. Seuraavat kaksi ehtoa koskevat käyttöä: (1) tämä laite ei saa

aiheuttaa häiriöitä ja (2) tämän laitteen on hyväksyttävä kaikki häiriö silloinkin, kun se aiheuttaa laitteen ei-toivottua toimintaa.

Kanadan teollisuusministeriön säädösten mukaan tämä radiolähetin saa käyttää ainoastaan sellaista antennia ja enimmäisvahvistusta, jotka Kanadan teollisuusministeriö on hyväksynyt lähetintä varten. Mahdollisten radiohäiriöiden vähentämiseksi antennin tyyppi ja vahvistus on valittava niin, että vastaava isotrooppisesti säteilevä teho (e.i.r.p.) ei ylitä onnistuneeseen viestintään tarvittavaa tasoa.

Tuotteessa olevan merkinnän voi tarkistaa irrottamalla oikean kuulonsuojaimen tiivistysrenkaan ja vaahtokumipehmusteen.

Rekisteröidyt tavaramerkit

Bluetooth®-sanamerkki ja -logot ovat *Bluetooth SIG, inc.*:n omistamia rekisteröityjä tavaramerkkejä. Husqvarna käyttää kyseisiä merkkejä luvanvaraisesti.

Turvallisuus

Turvallisuusmääritelmät

Varoituksia, huomioita ja huomautuksia käytetään, kun jotakin käyttöohjeen osaa halutaan erityisesti korostaa.



VAROITUS: Tätä käytetään, jos käyttöohjeen noudattamatta jättämisestä voi seurata käyttäjän tai sivullisen vamma tai kuolema.



HUOMAUTUS: Tätä käytetään, jos käyttöohjeen noudattamatta jättämisestä voi seurata koneen, muiden materiaalien tai ympäristön vaurioituminen.

Huomautus: Tätä käytetään tietyissä tilanteissa tarvittavien lisätietojen antamiseen.

Yleiset turvaohjeet



VAROITUS: Lue seuraavat varoitukset ennen tuotteen käyttöä.

- Säädä nämä ohjeet ja noudata niitä.
- Varmista, että olet valinnut itsellesi parhaiten istuvan ja toimivan tuotteen.
- Älä muuta tai poista tuotteen osia. Tee muutoksia ainoastaan tässä käyttöohjeessa annettujen ohjeiden mukaisesti.
- Tuotteen melunvaimennus heikkenee, jos et noudata tämän käyttöohjeen ohjeita. Kuulonsuojaimet, ja erityisesti niiden kupujen tynnyt, voivat kulumaa

käytössä. Ne on tarkastettava usein halkeamien ja kulumien varalta. Katso kohdasta *Huolto sivulla 78*.

- Tietyt kemikaalit voivat heikentää tämän tuotteen tehoa. Lisätietoja saa valmistajalta. Pidä tuote poissa voimakkaiden aineiden läheltä ja puhdista se säännöllisesti. Käytä vedellä ja saippualla kostutettua liinaa. Älä pese äläkä upota kokonaan veteen.
- Kaikki huolto- ja korjaustyöt on tehtävä hyväksytyssä huoltoliikkeessä. Käytä vain alkuperäisiä Husqvarna-varaosia.
- Älä koskaan käytä kuulonsuojaimia yli 10:tä vuotta pakkauksessa ilmoitetusta valmistuspäivästä.
- Laitteen toiminta voi heikentyä akun kuluessa.

Turvallisuusohjeet käyttöä varten

- Käyttäjän on varmistettava, että meluisissa ympäristöissä käytetään aina kuulonsuojaimia.
- Ole tavallista huolellisempi ja kuuntele varoitussignaaleja, kun käytät tuotetta. Tuote vaimentaa varoitussignaaleja.
- Viihdetoiminnon käyttäminen voi heikentää varoitussignaalien kuulumista tietyillä työpaikoilla.
- Varmista, että tuote ei kolhiinnu kuljetuksen ja käytön aikana.
- Käytä tuotetta ainoastaan lämpötilassa -20 – +55 °C. Jos käytät tuotetta muissa lämpötiloissa, sen elektroniikka, akku ja mekaaniset osat voivat vioittua.
- Varmista ennen tuotteen käyttöä, että osat käyttäjä sitä. Ota yhteyttä huoltoliikkeeseen, jos tuote on vioittunut. Älä avaa kotelo!
- Hygieniasuojien kiinnittäminen tynnyihin voi vaikuttaa kuulonsuojainten akustisiin ominaisuuksiin. Käytä aina alkuperäisiä lisävarusteita.

- Älä paina kuulonsuojaimia kypärän ulkokuorta vasten. Se voi aiheuttaa halkeamia kypärän sivuille.

(Kuva 4)

- Älä säilytä tuotetta yli 55 °C:n lämpötilassa esimerkiksi kojelaudalla. Älä säilytä tuotetta alle -20 °C:n lämpötilassa.
- Käyttäjän on varmistettava, että kuulonsuojaimet sovitetaan ja niitä säädetään ja hoidetaan tämän käyttöohjeen mukaisesti.
- Kuulonsuojaimissa on turvallisuutta lisäävää audiotulo. Käyttäjän on tarkistettava suojaimeen toimivuus ennen käyttöä. Jos toiminnassa ilmenee häiriöitä tai vikoja, käyttäjän on toimittava valmistajan antamien huolto-ohjeiden mukaisesti.

Akkaturvallisuus

- Kuulonsuojaimessa äänitasosta riippuva vaimennus. Käyttäjän on tarkistettava suojaimeen toimivuus ennen käyttöä. Jos toiminnassa ilmenee häiriöitä tai vikoja, käyttäjän on toimittava valmistajan antamien huolto-ohjeiden mukaisesti.
- Tuote sisältää akun ja sähkökomponentteja, jotka voivat syttyä palamaan palo- tai räjähdysriskissä ympäristöissä. Tuotetta ei saa käyttää ympäristöissä, joissa kipinät voivat aiheuttaa tulipalon tai räjähdyksen.
- Lataa tuotetta ainoastaan lämpötilassa 0–40 °C. Lataaminen muissa lämpötiloissa voi vioittaa elektroniikkaa ja akkua.

Asentaminen

Johdanto



VAROITUS: Siirrä hiukset sivuun, ennen kuin kokoat tuotteen. Varmista, että tiivistysrenkaat ovat tiiviisti päätä vasten ja korvien ympärillä, ennen kuin käytät tuotetta.

Kuulonsuojaimien käyttäminen sangan kanssa

1. Laita sanka pääsi päälle.
2. Säädä korkeutta liikuttamalla suojaimia ylös tai alas. (Kuva 5)

Kuulonsuojaimen kiinnittäminen kypärään

1. Asenna kypärään kuulonsuojainmalliin sopivat kiinnikesovittimet. Katso kohdasta *Hyväksytyt kypärät sivulla 78*.
2. Asenna kypäräkiinnike kiinnikesovittimeen. (Kuva 6)

Huomautus: Katso kohdasta *Hyväksytyt kypärät sivulla 78*, mikä kypäräkiinnike sopii kypärään.

3. Siirrä kuulonsuojaimet ala-asentoon.
4. Nosta kuulonsuojaimia ulos- ja ylöspäin, kunnes ne lukittuvat säilytysasentoon. (Kuva 7)
5. Tee merkintä johtoon.
 - a) Jos kypärän malli on H300, tee merkintä 27 cm:n / 11 tuuman (X) päähän kummastakin kuulonsuojaimesta.
 - b) Jos kypärän malli on Spire Vent X, tee merkintä 14,5 cm:n / 6 tuuman (Y) päähän kummastakin kuulonsuojaimesta. (Kuva 8)
6. Aseta kypäräkiinnike kypärässä olevaan aukkoon. (Kuva 9)

7. Jatka hyväksytyin kypärän kokoamisohjeiden mukaisesti.



HUOMAUTUS: Varmista, että johto ei taitu tai ettei sillä ole pieni taipumissäde. Varmista, että johto liikkuu sujuvasti kypärän aukossa.

Kuulonsuojaimien kiinnittäminen kypärään H300

1. Irrota päävaljaat kypärästä. (Kuva 10)
2. Kiinnitä johto reikiin nippusiteillä tai kiinnikkeillä. (Kuva 11)
3. Jos kiinnität johdon nippusiteillä, katkaise nippuside ja työnnä nippusiteen lukko sivuaukkoon.
4. Aseta johto silmukaksi ja kiinnitä päävaljaat ja niskansuojus. Varmista, että johto on kypärän ulkokuoren ja päävaljaiden välissä. (Kuva 12)

Kuulonsuojaimien kiinnittäminen kypärään Spire Vent X

1. Aseta johto silmukaksi taaksepäin.
2. Kiinnitä johto päävaljaisiin nippusiteillä. Kiinnitä nippuside sangan takahihnaan.
3. Katkaise nippuside.
4. Aseta loput johdosta silmukaksi taaksepäin niskaosan taakse. (Kuva 13)

Kuulonsuojainten asettaminen käyttöasentoon

1. Aseta kypärä päähän.
2. Säädä kuulonsuojaimet siten, että ne ovat tiiviisti korvien ympärillä ja päätä vasten. (Kuva 14)

Kuulonsuojainten asettaminen valmiusasentoon

- Nosta kuulonsuojaimia ulos- ja ylöspäin, kunnes ne lukittuvat säilytysasentoon. (Kuva 15)

Tuotteen asettaminen kuljetusasentoon

1. Aseta kuulonsuojaimet valmiusasentoon. Katso kohdasta *Kuulonsuojainten asettaminen valmiusasentoon sivulla 75*.
2. Käännä kuulonsuojaimia taaksepäin kypärän sivuja pitkin, kunnes ne lukittuvat kuljetusasentoon. (Kuva 16)

Puomimikrofonin liittäminen

Käytä puomimikrofonia meluisissa ympäristöissä.

1. Kiinnitä tuulisuojus puomimikrofoniin.
2. Liitä puomimikrofoni oikean kuulonsuojaimen mikrofonilähtöön. (Kuva 17)
3. Aseta puomimikrofoni 1 cm:n (0,4 tuumaa) (A) etäisyydelle suusta.

Käyttö

Johdanto



VAROITUS: Lue turvallisuutta käsittelevä luku niin, että ymmärrät sen sisällön, ennen laitteen käyttämistä.

Tuotteen lataaminen

1. Liitä latauskaapelin USB-C-liitin vasemman kuulonsuojaimen liitäntään. (Kuva 18)
2. Liitä latauskaapelin USB-liitin USB-laturiin tai muuhun USB-porttiin.

Huomautus: Virtalähteen lähtövirralla on oltava 5 V / 2 A, jotta tuote latautuu enimmäiskapasiteetilla.

Huomautus: Bluetooth®-painikkeen LED-merkkivalo vilkkuu hitaasti vihreänä, kun akku latautuu. Bluetooth®-painikkeen LED-merkkivalo palaa tasaisen vihreänä, kun akku on ladattu täyteen.

Laitteen käynnistäminen

- Paina virtapainiketta sekunnin ajan.

Huomautus: Äänimerkki ilmaisee, että tuote on päällä. Ääniviesti ilmoittaa akun tilan ja kuinka monta laitetta on liitetty langattomasti Bluetooth®-yhteydellä.

Ääniviesti
BATTERY HIGH
BATTERY MEDIUM
BATTERY LOW
BATTERY CRITICAL

Ääniviesti	Bluetooth®-painikkeen LED-merkkivalo
ONE BLUETOOTH DEVICE CONNECTED	Merkkivalo on sininen.
TWO BLUETOOTH DEVICES CONNECTED	

Siirtyminen FM-radiotilan ja Bluetooth®-tilan välillä

- Siirry FM-radiotilan ja Bluetooth®-tilan välillä painamalla tilapainiketta nopeasti 2 kertaa.

Huomautus: Ääniviesti kertoo valitun tilan. Katso alla oleva taulukko.

Ääniviesti
RADIO
BLUETOOTH

FM-radiotila

FM-radiotilassa voi kuunnella FM-radiota.

FM-radiokanavan vaihtaminen

- Vaihda FM-radiokanavaa pitämällä äänenvoimakkuuden lisäspainiketta tai vähennyspainiketta painettuna 1 sekunnin ajan.

Bluetooth®-tila

Bluetooth®-tilassa voit yhdistää tuotteen laitteeseen, jossa käytetään langatonta Bluetooth®-tekniikkaa.

Bluetooth®-laitteparin muodostaminen

1. Käynnistä laiteparin muodostaminen painamalla Bluetooth®-painiketta 2 sekunnin ajan.

Huomautus: Laitteparin muodostus käynnistyy, kun kuulet äänimerkin ja Bluetooth®-painike vilkkuu

hitaasti sinisenä. Laiteparin muodostustila on aktiivinen 30 sekunnin ajan.

2. Käynnistä laiteparin muodostus langatonta Bluetooth®-yhteyttä varten.
3. Valitse laitteen laiteluettelosta tarvittaessa Husqvarna X-COM Active.

Huomaus: Ääniviesti kertoo tuotteen pariilitoksen tilan. Katso alla oleva taulukko.

Ääniviesti	Bluetooth®-painikkeen LED-merkkivalo	Informaatio
BLUETOOTH DEVICE CONNECTED	Palaa tasaisen sinisenä.	Tuote on yhdistetty laitteeseen, jossa käytetään langatonta Bluetooth®-tekniikkaa.
BLUETOOTH CONNECTION FAILED	Palaa tasaisen punaisena 2 sekuntia.	Tuotetta ei ole yhdistetty laitteeseen, jossa käytetään langatonta Bluetooth®-tekniikkaa.

Huomaus: Tuotteeseen yhdistetty laite, jossa käytetään langatonta Bluetooth®-tekniikkaa, muodostaa yhteyden tuotteeseen automaattisesti seuraavan kerran, kun tuotetta käytetään laitteen kanssa.

Toistettavan äänitiedoston vaihtaminen

- Valitse seuraava toistettava äänitiedosto painamalla äänenvoimakkuuden lisäspainiketta 0,5 sekunnin ajan.
- Palaa edelliseen äänitiedostoon pitämällä äänenvoimakkuuden vähennyspainiketta painettuna 0,5 sekunnin ajan.

Äänitiedoston toiston pysäyttäminen tai käynnistäminen

- Äänitiedoston toiston voi pysäyttää tai käynnistää painamalla tilapainiketta.

Puheluun vastaaminen tai puhelun lopettaminen

Jos mobiililaite on yhdistetty laitteeseen langattomalla Bluetooth®-yhteydellä, kuulonsuojaimista kuuluu äänimerkki, kun puhelu saapuu.

- Puheluun voi vastata tai sen voi lopettaa painamalla tilapainiketta.
- Hylkää saapuva puhelu painamalla tilapainiketta sekunnin ajan.

Huomaus: Äänimerkki ilmoittaa, kun puheluun vastataan tai se hylätään.

Ääniviesti	Informaatio
CALL ENDED	Puhelu on päättynyt.

Äänenvoimakkuuden säätäminen

- Säädä äänenvoimakkuutta painamalla äänenvoimakkuuden lisäys- tai vähennyspainiketta. Äänimerkki ilmoittaa vähimmäis- tai enimmäisäänenvoimakkuuden.

Ympäristön äänet -tilan määrittäminen

Ympäristön äänet -tilassa kuulet ympärillä olevat äänet.

- Paina ympäristön äänet -painiketta.

Huomaus: Ääniviesti kertoo, mikä ympäristön äänet -tila on valittuna.

Ääniviesti
AMBIENT LEVEL HIGH
AMBIENT LEVEL MEDIUM
AMBIENT LEVEL LOW
AMBIENT LEVEL OFF

Laitteen pysäyttäminen

- Paina virtapainiketta sekunnin ajan.

Huomaus: Ääniviesti kertoo akun tilan ja LED-merkkivalot sammuvat. Äänimerkki ilmaisee, että tuote ei ole päällä.

Tuotteen pakotettu sammuttaminen

- Paina virtapainiketta 12 sekunnin ajan.

Huolto

Tuotteen huoltaminen



HUOMAUTUS: Älä huuhtele tuotetta äläkä upota sitä kokonaan veteen.



HUOMAUTUS: Suihkeet, nesteet ja muut liuotainaineita ja/tai alkoholia sisältävät puhdistusaineet voivat heikentää suojaominaisuuksia.



HUOMAUTUS: Käytä alkuperäisiä Husqvarna-varaosia.

1. Puhdista tuote säännöllisesti. Käytä miedolla saippualliuoksella kostutettua liinaa.
2. Tarkista tiivistysrenkaiden ja vahtokumipehmusteiden kunto aina ennen käyttöä.

3. Vaihda tiivistysrenkaat ja vahtokumipehmusteet 6 kuukauden välein tai tarvittaessa useammin. Varmista, että tiivistysrenkaan ilma-aukko osoittaa alaspäin asennuksen aikana. Käytä alkuperäisvaraosana saatavaa hygieniasarjaa, joka sisältää tiivisterenkaat ja vahtomuovisuojukset. Lisätietoja hygieniasarjasta on saatavana osoitteessa www.husqvarna.com. (Kuva 19)

Huomautus: Jos kuulonsuojaimet ovat sisältä märät, anna niiden kuivua kuljetusasennossa. Katso kohdasta *Tuotteen asettaminen kuljetusasentoon sivulla 76*.

4. Vaihda puhemikrofonin kalvo, jos se on vaurioitunut.
5. Vaihda äänenvoimakkuuden mukaan säätyvän mikrofonin tuulisuojaus, jos se on vaurioitunut.
6. Vaihda puomimikrofonin tuulisuojaus, jos se on vaurioitunut.
7. Vaihda tarvittaessa sangan pehmuste. (Kuva 20)

Kuljettaminen, säilyttäminen ja hävittäminen

Kuljetus ja säilytys



HUOMAUTUS: Aseta kuulonsuojaimet kuljetuksen ja säilytyksen ajaksi käyttöasentoon, jotta muovimateriaali ei kulje.

- Aseta kuulonsuojaimet käyttöasentoon. Katso kohdasta *Kuulonsuojainten asettaminen käyttöasentoon sivulla 75*.
- Varmista, että tiivistysrenkaat eivät ole lytyssä.
- Aseta tuote kuivaan ja puhtaaseen tilaan.
- Suojaa tuote suoralta auringonvalolta.
- Varmista akun kestävyys lataamalla akku 6 viikon välein.

- Kuljeta tuotetta turvallisessa tilassa.

Hävittäminen

- Noudata kansallisia säädöksiä.
- Käytä paikallista kierrätysjärjestelmää.
- Laitetta tai sen pakkausta ei saa hävittää kotitalousjätteen mukana. Vie se asianmukaiseen sähkö- ja elektroniikkalaitteiden keräyspisteeseen.



Tarvikkeet

Hyväksytyt kypärät

Käytä tuotetta vain seuraavien kypärien kanssa.

Malli	Kypäräkiinnikkeen tyyppi	Sovittimen kuva	Hyväksytyt mitat
Husqvarna Technical, H300	Sovitin H300	(Kuva 21)	M/L
Husqvarna Spire KASK Zenith X	Sovitin Spire	(Kuva 22)	L

Tekniset tiedot

Tekniset tiedot

Alla esitetään kunkin tuotteen teknisiä tietoja. Lisätietoja on käyttöohjeen teknisiä tietoja koskevassa liitteessä.

(Kuva 2)

(Kuva 3)

Lisätietoja teknisten tietojen sisällöstä on seuraavassa luettelossa:

- F = taajuuDET, joilla vaimennus mitataan.
- Mf = keskiarvo.
- Sf = vakiopoikkeama.
- APV (Mf-Sf) = oletettu suojausarvo.
- H = suuritaajuinen vaimennusarvo (odotettu äänitason vaimennus äänelle, kun $L_C-L_A = -2$ dB). M = keskitaajuinen vaimennusarvo (odotettu äänitason vaimennus äänelle, kun $L_C-L_A = +2$ dB). L = pienitaajuinen vaimennusarvo (odotettu äänitason vaimennus äänelle, kun $L_C-L_A = +10$ dB).

- SNR = Single Number Rating (arvo, joka vähennetään mitatusta C-painotetusta äänenpainetasosta L_C , jotta voidaan arvioida tehollinen A-painotettu äänitaso korvan sisällä).

Tuotteesta vastaava valmistaja: Husqvarna AB, SE-561 82 Huskvarna, Ruotsi, puh: +46 36 146 500.

Melutaso

FM-radiotilan ja kuulokemikrofonitilan enimmäisäänentaso vastaa 82 desibeliä (A).

Materiaalit

Osa	Materiaali	Osa	Materiaali
Sisäkupu	ABS	Päälakisanka	POM+TPE
Ulkokupu, vasen	ABS	Kypärän haarukka	PA66GF30
Ulkokupu, oikea	ABS+TPE	Kypärän haarukan jousi	Teräs
Lisäosat	PUR	Ruuvit	Teräs
Tiivistysrenkaat	ABS+TPE		

Sommaire

Introduction.....	80	Transport, entreposage et mise au rebut.....	86
Sécurité.....	81	Accessoires.....	86
Montage.....	82	Caractéristiques techniques.....	86
Utilisation.....	83	Annexe	229
Entretien.....	85		

Introduction

Description du produit

Le produit X-SYNC (HP500BT-01, HP500BT-02) est un protège-oreilles avec communication Full Duplex intégrée, *technologie sans fil Bluetooth®* et radio FM. Le

Aperçu du produit

(Fig. 1)

1. Bouton de bruit ambiant
2. Microphone dépendant du niveau sonore
3. Bouton Bluetooth®
4. Microphone vocal
5. Bouton de mode
6. Sortie pour câble de chargement USB-C
7. Bouton Augmenter le volume
8. Bouton Baisser le volume
9. Bouton ON/OFF
10. Sortie microphone à perche

Conformité et homologations

Par la présente, Husqvarna AB, SE-561 82 Huskvarna, Sweden, tel: +46-36-146500 déclare que les équipements radio de type HP500BT-01 et HP500BT-02 sont conformes aux règlements 2014/53/EU, 2011/65/EU et (EU) 2016/425. Le règlement 2016/425 relatif aux équipements de protection individuelle, tel que modifié pour s'appliquer au Royaume-Uni. Le texte intégral de la déclaration de conformité de l'UE et de la déclaration de conformité du Royaume-Uni est disponible à l'adresse Internet suivante : www.husqvarna.com ; recherchez X-SYNC, HP500BT-01, HP500BT-02.

Les valeurs d'atténuation et les niveaux sonores du produit sont testés et approuvés conformément aux normes : EN 352-1:2020 (serre-tête), EN 352-3:2020 (monté sur casque), EN 352-4:2020, EN 352-6:2020 et EN 352-8:2020.

L'organisme notifié impliqué dans l'évaluation de conformité est le suivant : Numéro d'organisme notifié 1974. PZT GmbH, Bismarckstraße 264 B, 26389 Wilhelmshaven, Germany.

Numéro d'organisme approuvé pour le Royaume-Uni 0321. SATRA Technology Centre, Wyndham Way,

modèle HP500BT-01 est un protège-oreilles avec serre-tête et le modèle HP500BT-02 est un protège-oreilles pour un casque. Le produit protège les oreilles des nuisances sonores.

Telford Way, Kettering, Northamptonshire, NN16 8SD, UK.

Certification et surveillance par PZT.

La batterie est certifiée conforme à l'édition 2 de la norme IEC62133.



UK Importer:
Husqvarna UK Ltd
Preston Road, Co. Durham
DL5 6UP

ID FCC : ZASHP500BT, ID IC : 23307-HP500BT

Déclaration de conformité des fournisseurs (SDoC) de la FCC pour la Partie responsable HP500BT-01, HP500BT-02.

Husqvarna Professional Products, Inc. 9335 Harris Corners Parkway Suite 500 Charlotte, NC 28269, États-Unis.

Contact États-Unis : Michael Campbell, Directeur Conformité Produit, téléphone : +1 704 597 5000.

Déclaration de conformité de la FCC :

L'appareil est conforme à la réglementation FCC, partie 15. Son utilisation est soumise aux deux conditions suivantes : (1) Ce dispositif ne doit pas entraîner d'interférences dangereuses ; et (2) ce dispositif doit accepter toute interférence reçue,

y compris les interférences pouvant provoquer un fonctionnement non souhaité.

cet équipement a été testé et jugé conforme aux limites imposées aux appareils numériques de classe B, conformément à la partie 15 de la réglementation FCC. Ces limites sont conçues pour fournir une protection raisonnable contre les interférences nuisibles dans les installations résidentielles. Cet équipement génère, utilise et peut émettre une énergie de fréquence radio, et, s'il n'est pas installé et utilisé conformément aux instructions, peut provoquer des interférences nuisibles aux communications radio. Cependant, rien ne garantit l'absence d'interférences dans une installation particulière. Si cet appareil provoque des interférences nuisibles à la réception radiophonique ou télévisuelle, ce qui peut être déterminé en allumant et en éteignant l'appareil, l'utilisateur est encouragé à essayer de corriger ces interférences en appliquant une ou plusieurs des mesures suivantes :

- Augmentez la distance entre l'équipement et le récepteur.
- Si vous avez besoin d'aide, consultez un revendeur.

Le marquage du produit est visible lorsque vous retirez la bague d'étanchéité et l'insert en caoutchouc mousse du protège-oreilles droit.

Contient le module de transmetteur IC : 12246A-BM64S2

Le présent appareil est conforme aux CNR d'Industrie Canada applicables aux appareils radio exempts

de licence. L'exploitation est autorisée aux deux conditions suivantes: (1) l'appareil ne doit pas produire de brouillage, et (2) l'utilisateur de l'appareil doit accepter tout brouillage radioélectrique subi, même si le brouillage est susceptible d'en compromettre le fonctionnement.

Conformément à la réglementation d'Industrie Canada, le présent émetteur radio peut fonctionner avec une antenne d'un type et d'un gain maximal (ou inférieur) approuvé pour l'émetteur par Industrie Canada. Dans le but de réduire les risques de brouillage radioélectrique à l'intention des autres utilisateurs, il faut choisir le type d'antenne et son gain de sorte que la puissance isotrope rayonnée équivalente (p.i.r.e.) ne dépasse pas l'intensité nécessaire à l'établissement d'une communication satisfaisante.

Marques déposées

La marque et les logos *Bluetooth®* sont des marques déposées appartenant à *Bluetooth SIG, inc.*, et toute utilisation de ces marques par Husqvarna est régie par une licence.

Sécurité

Définitions de sécurité

Des avertissements, des recommandations et des remarques sont utilisés pour souligner des parties spécialement importantes du manuel.



AVERTISSEMENT: Symbole utilisé en cas de risque de blessures ou de mort pour l'opérateur ou les personnes à proximité si les instructions du manuel ne sont pas respectées.



REMARQUE: Symbole utilisé en cas de risque de dommages pour le produit, d'autres matériaux ou les environs si les instructions du manuel ne sont pas respectées.

Remarque: Symbole utilisé pour donner des informations supplémentaires pour une situation donnée.

Consignes générales de sécurité



AVERTISSEMENT: lisez les instructions qui suivent avant d'utiliser le produit.

- Lisez et conservez ces instructions.
- Pour un confort et un fonctionnement optimaux, assurez-vous d'avoir choisi le produit adapté à votre utilisation.
- Ne modifiez pas et ne retirez pas de pièces sur le produit. Effectuez uniquement les modifications décrites dans le présent manuel d'utilisation.
- L'atténuation du bruit du produit peut être significativement moins efficace si vous ne suivez pas les instructions du présent manuel d'utilisation. Les protège-oreilles, en particulier les coussinets, peuvent se détériorer ou fuir à l'usage et doivent donc être fréquemment examinés. Reportez-vous à la section *Entretien à la page 85*.
- Ce produit peut être altéré par certaines substances chimiques. Pour plus d'informations, contactez le fabricant. Tenez-vous à l'écart des substances agressives et nettoyez régulièrement le produit. Utilisez un chiffon ainsi que de l'eau et du savon.

Ne rincez pas le produit et ne l'immergez pas complètement dans l'eau.

- Toutes les opérations d'entretien et de réparation doivent être effectuées par un atelier d'entretien agréé. Utilisez uniquement les pièces de rechange d'origine Husqvarna.
- N'utilisez jamais les protège-oreilles au-delà de 10 ans à compter de la date de fabrication figurant sur l'emballage.
- La fonctionnalité du produit peut se détériorer avec la consommation de la batterie.

Instructions de sécurité pour le fonctionnement

- L'utilisateur doit veiller à toujours porter les protège-oreilles dans les environnements bruyants.
- Soyez très prudent et écoutez les signaux d'avertissement lorsque vous utilisez le produit. Le bruit des signaux d'avertissement peut s'affaiblir lorsque vous utilisez le produit.
- L'audibilité des signaux d'avertissement sur un lieu de travail spécifique peut être altérée lorsque vous utilisez l'installation de divertissement.
- Assurez-vous de ne pas heurter le produit lors du transport et de l'utilisation.
- Utilisez uniquement le produit à des températures comprises entre -20 °C et +55 °C. Si vous utilisez le produit à d'autres températures, cela pourrait endommager les circuits électroniques, la batterie et les pièces mécaniques.
- Assurez-vous de savoir comment utiliser le produit avant de l'utiliser. Si le produit est endommagé, consultez votre atelier d'entretien. N'ouvrez pas le boîtier !
- Recouvrir les coussinets de bonnettes hygiéniques peut réduire l'efficacité acoustique des protège-oreilles. Utilisez uniquement des accessoires d'origine.

- Ne poussez pas les protège-oreilles contre la coque du casque. En effet, cela pourrait fissurer le côté du casque.

(Fig. 4)

- Ne stockez pas le produit à des températures supérieures à +55 °C, par exemple sur un tableau de bord. Ne stockez pas le produit à des températures inférieures à -20 °C.
- L'utilisateur doit s'assurer que les protège-oreilles sont portés, ajustés et entretenus conformément à ce manuel d'utilisation.
- Le protège-oreilles est fourni avec une entrée audio liée à la sécurité. L'utilisateur doit en vérifier le bon fonctionnement avant utilisation. Si une distorsion ou une panne est détectée, l'utilisateur doit se référer aux conseils du fabricant pour l'entretien.

Consignes de sécurité relatives à l'utilisation de la batterie

- Le protège-oreilles est doté d'une atténuation dépendante du niveau sonore. L'utilisateur doit en vérifier le bon fonctionnement avant utilisation. Si un mauvais fonctionnement ou un défaut est détecté, l'utilisateur doit suivre les instructions du fabricant pour l'entretien.
- Le produit contient une batterie et des composants électriques susceptibles de provoquer une inflammation dans les atmosphères inflammables ou explosives. Ne l'utilisez pas dans des milieux où des étincelles peuvent générer un incendie ou une explosion.
- Chargez uniquement le produit à des températures comprises entre 0 °C et +40 °C. Charger le produit à des températures situées en dehors de la plage spécifiée pourrait endommager les circuits électroniques et la batterie.

Montage

Introduction



AVERTISSEMENT: Placez vos cheveux sur le côté avant d'assembler le produit. Assurez-vous que les bagues d'étanchéité sont bien serrées contre votre tête et autour de vos oreilles avant d'utiliser le produit.

Pour mettre les protège-oreilles avec serre-tête

1. Placez le serre-tête au sommet de votre tête.
2. Déplacez les protège-oreilles vers le haut ou le bas pour régler leur hauteur. (Fig. 5)

Pour monter les protège-oreilles sur un casque

1. Montez le type d'adaptateur de fixation approprié sur la coque du casque. Reportez-vous à la section *Casques homologués* à la page 86.
2. Montez la fourche du casque sur l'adaptateur de fixation. (Fig. 6)

Remarque: Reportez-vous à la section *Casques homologués* à la page 86 pour obtenir plus d'informations sur la fixation de casque adaptée à votre casque.

3. Réglez les protège-oreilles dans la position la plus basse.

4. Tirez les protège-oreilles vers l'extérieur et vers le haut jusqu'à ce qu'ils se bloquent en position de veille. (Fig. 7)
5. Effectuez un repère sur le câble.
 - a) Pour le casque H300, effectuez un repère à 27 cm/11 in (X) de chaque protège-oreilles.
 - b) Pour le casque Spire Vent X, effectuez un repère à 14,5 cm/6 in (Y) de chaque protège-oreilles. (Fig. 8)
6. Placez la fixation du casque dans la fente du casque. (Fig. 9)
7. Continuez à suivre les instructions de montage de votre casque homologué.



REMARQUE: Assurez-vous que le câble n'est pas tordu ou présente un faible rayon de courbure. Assurez-vous que le câble peut se déplacer librement dans l'ouverture du casque.

Pour monter les protège-oreilles sur le casque H300

1. Dégagez le harnais de tête du casque. (Fig. 10)
2. Fixez le câble sur les orifices à l'aide des serre-câbles ou attaches. (Fig. 11)
3. Si vous fixez le câble à l'aide de serre-câbles, coupez le serre-câble et poussez le verrou du serre-câble dans la fente latérale.
4. Formez une boucle avec le câble puis fixez le harnais de tête et le protège-nuque. Assurez-vous que le câble se trouve entre la coque du casque et le harnais de tête. (Fig. 12)

Pour monter les protège-oreilles sur le casque Spire Vent X

1. Placez le câble dans une boucle vers l'arrière.
2. Fixez le câble sur le harnais de tête à l'aide des serre-câbles. Fixez le serre-câble à travers la sangle arrière du serre-tête.

3. Coupez le serre-câble.
4. Placez la partie restante du câble dans une boucle vers l'arrière, derrière le serre-tête arrière. (Fig. 13)

Pour régler les protège-oreilles en position de fonctionnement

1. Placez le casque sur votre tête.
2. Réglez les protège-oreilles jusqu'à ce qu'ils soient bien serrés autour de vos oreilles et contre votre tête. (Fig. 14)

Pour régler les protège-oreilles en position de veille

- Tirez les protège-oreilles vers l'extérieur et vers le haut jusqu'à ce qu'ils se bloquent en position de veille. (Fig. 15)

Pour régler les protège-oreilles en position de repos

1. Réglez les protège-oreilles en position de veille. Reportez-vous à la section *Pour régler les protège-oreilles en position de veille à la page 83*.
2. Faites tourner les protège-oreilles vers l'arrière, le long du côté du casque, jusqu'à ce qu'ils se bloquent en position de repos. (Fig. 16)

Pour connecter le microphone à perche

Utilisez le microphone à perche dans des environnements très bruyants.

1. Fixez le filtre à vent sur le microphone à perche.
2. Branchez le microphone à perche sur la sortie de microphone du protège-oreilles droit. (Fig. 17)
3. Placez le microphone à perche à 1 cm/0,4 in (A) de votre bouche.

Utilisation

Introduction



AVERTISSEMENT: Avant d'utiliser le produit, vous devez lire et comprendre le chapitre sur la sécurité.

Pour charger le produit

1. Branchez le connecteur USB-C situé sur le câble du chargeur à la sortie du protège-oreilles gauche. (Fig. 18)

2. Branchez le connecteur USB situé sur le câble du chargeur à un chargeur USB ou à une autre prise USB.

Remarque: La sortie de la prise de courant doit être de 5 V et 2 A pour charger à la capacité maximale.

Remarque: Le voyant sur le bouton Bluetooth® clignote lentement en vert lorsque la batterie est en charge. Le voyant sur le bouton Bluetooth® est vert fixe lorsque la batterie est complètement chargée.

Pour démarrer le produit

- Maintenez enfoncé le bouton ON/OFF pendant 1 seconde.

Remarque: Un signal sonore vous indique que le produit est allumé. Un message audio vous indique l'état de la batterie et le nombre d'appareils connectés avec la technologie sans fil Bluetooth®.

Message audio
BATTERY HIGH
BATTERY MEDIUM
BATTERY LOW
BATTERY CRITICAL

Message audio	Témoin LED du bouton Bluetooth®
ONE BLUETOOTH DEVICE CONNECTED	Le témoin LED est bleu.
TWO BLUETOOTH DEVICES CONNECTED	

Pour basculer entre le mode Radio FM et le mode Bluetooth®

- Appuyez rapidement deux fois sur le bouton mode pour basculer entre le mode Radio FM et le mode Bluetooth®.

Remarque: Un message audio vous indique le mode que vous avez sélectionné. Reportez-vous au tableau ci-dessous.

Message audio
RADIO
BLUETOOTH

Mode Radio FM

En mode Radio FM, vous avez accès à la radio FM.

Pour modifier la station de radio FM

- Maintenez enfoncé le bouton Augmenter le volume ou Baisser le volume pendant 1 seconde pour changer de station de radio FM.

Mode Bluetooth®

En mode Bluetooth®, vous pouvez connecter votre produit à un appareil grâce à la technologie sans fil Bluetooth®.

Pour effectuer une opération d'appariement Bluetooth®

1. Appuyez sur le bouton Bluetooth® et maintenez-le enfoncé pendant 2 secondes pour lancer la fonction d'appariement sur votre produit.

Remarque: L'opération d'appariement démarre lorsque vous entendez un bip et que le bouton Bluetooth® clignote en bleu. Le mode d'appariement est actif pendant 30 secondes.

2. Lancez l'opération d'appariement de la technologie sans fil Bluetooth® sur l'appareil.
3. Si nécessaire, sélectionnez Husqvarna X-COM Active dans la liste de périphériques de votre appareil.

Remarque: Un message audio vous informe sur l'état du produit. Reportez-vous au tableau ci-dessous.

Message audio	Témoin LED du bouton Bluetooth®	Informations
BLUETOOTH DEVICE CONNECTED	Bleu fixe.	Le produit est connecté à un appareil avec technologie sans fil Bluetooth®.
BLUETOOTH CONNECTION FAILED	Rouge fixe pendant 2 secondes.	Le produit n'est pas connecté à un appareil avec technologie sans fil Bluetooth®.

Remarque: Un appareil avec technologie sans fil Bluetooth® connecté à votre produit se connectera automatiquement à votre produit lors de la prochaine utilisation du produit avec cet appareil.

Pour changer de piste audio

- Appuyez sur le bouton Augmenter le volume et maintenez-le enfoncé pendant 0,5 seconde pour passer à la piste audio suivante.
- Appuyez sur le bouton Baisser le volume et maintenez-le enfoncé pendant 0,5 seconde pour revenir à la piste audio précédente.

Pour arrêter ou démarrer la diffusion audio

- Appuyez sur le bouton mode pour arrêter ou démarrer la diffusion audio.

Pour accepter, décliner ou mettre fin à un appel téléphonique

Si votre appareil mobile est connecté au produit avec la technologie sans fil Bluetooth®, un signal est émis dans le protège-oreilles lors d'un appel téléphonique entrant.

- Appuyez sur le bouton mode pour accepter ou mettre fin à l'appel téléphonique.
- Appuyez sur le bouton mode pendant 1 seconde pour décliner un appel téléphonique entrant.

Remarque: Un signal sonore vous avertit lorsque l'appel téléphonique est accepté ou annulé.

Message audio	Informations
CALL ENDED	L'appel téléphonique est terminé.

Pour régler le volume

- Appuyez sur le bouton Augmenter le volume ou Baisser le volume pour régler le volume. Un signal sonore vous avertit lorsque vous atteignez le volume minimal ou maximal.

Pour régler le mode bruit ambiant

Le mode bruit ambiant vous permet d'entendre les sons qui vous entourent.

- Appuyez sur le bouton bruit ambiant.

Remarque: Un message audio vous indique l'état du mode bruit ambiant.

Message audio
AMBIENT LEVEL HIGH
AMBIENT LEVEL MEDIUM
AMBIENT LEVEL LOW
AMBIENT LEVEL OFF

Pour arrêter le produit

- Maintenez enfoncé le bouton ON/OFF pendant 1 seconde.

Remarque: Un message audio vous indique l'état de la batterie et les témoins LED s'éteignent. Un signal sonore vous indique que le produit est éteint.

Pour arrêter le produit de force

- Maintenez enfoncé le bouton on/off pendant 12 secondes.

Entretien

Pour entretenir le produit



REMARQUE: Ne rincez pas le produit et ne l'immergez pas complètement dans l'eau.



REMARQUE: Des vaporisateurs, liquides ou produits nettoyants contenant des solvants et/ou de l'alcool peuvent réduire les fonctionnalités de protection du produit.



REMARQUE: Utilisez des pièces de rechange Husqvarna d'origine.

1. Nettoyez régulièrement le produit. Utilisez un chiffon ainsi qu'une solution savonneuse douce.
2. Contrôlez l'état des bagues d'étanchéité et des inserts en caoutchouc mousse avant chaque utilisation.

3. Remplacez les bagues d'étanchéité et les inserts en caoutchouc mousse tous les 6 mois ou plus fréquemment si nécessaire. Assurez-vous que l'évent sur la bague d'étanchéité est orienté vers le bas pendant le montage. Utilisez le kit d'hygiène d'origine qui comprend les bagues d'étanchéité et les inserts en caoutchouc mousse. Reportez-vous à la section www.husqvarna.com pour plus d'informations sur le kit d'hygiène. (Fig. 19)

Remarque: Si le côté intérieur des protège-oreilles est humide, laissez-les sécher en position de stationnement. Reportez-vous à la section *Pour régler les protège-oreilles en position de repos* à la page 83.

4. Remplacez la membrane du microphone vocal si elle est endommagée.
5. Remplacez le filtre à vent du microphone dépendant du niveau sonore s'il est endommagé.
6. Remplacez le filtre à vent sur le microphone à perche s'il est endommagé.
7. Remplacez le rembourrage confort du serre-tête si nécessaire. (Fig. 20)

Transport, entreposage et mise au rebut

Transport et stockage



REMARQUE: Pendant le transport et le remisage, placez le protège-oreilles en position de fonctionnement pour réduire l'usure du matériau plastique.

- Réglez les protège-oreilles en position de fonctionnement. Reportez-vous à la section *Pour régler les protège-oreilles en position de fonctionnement à la page 83.*
- Assurez-vous que les bagues d'étanchéité ne sont pas comprimées.
- Placez le produit dans un endroit sec et propre.
- Conservez le produit à l'abri de la lumière lors du remisage.
- Chargez la batterie toutes les 6 semaines afin de conserver sa qualité.

- Placez le produit dans un endroit sûr pendant le transport.

Mise au rebut

- Respectez les réglementations nationales.
- Utilisez le circuit de recyclage local.
- Le produit ou son emballage ne font pas partie des ordures ménagères. Déposez-le dans une station de recyclage pour équipements électriques et électroniques.



Accessoires

Casques homologués

Utilisez uniquement le produit avec les casques répertoriés ci-dessous.

Modèle	Type de fixation du casque	Schéma de l'adaptateur	Dimensions approuvées
Husqvarna Technical, H300	Adaptateur H300	(Fig. 21)	M/L
Husqvarna Spire	Adaptateur Spire	(Fig. 22)	L
KASK Zenith X			

Caractéristiques techniques

Caractéristiques techniques

Reportez-vous aux illustrations qui suivent pour connaître les données techniques de chaque produit.

(Fig. 2)
(Fig. 3)

Pour plus d'informations sur le contenu des données techniques, reportez-vous à la liste suivante :

- F = fréquence à laquelle est mesurée l'atténuation.
- Mf = valeur moyenne.
- Sf = déviation standard.
- APV (Mf-Sf) = valeur de protection supposée.

Pour plus de données techniques, reportez-vous à la fiche des caractéristiques techniques en annexe de ce manuel d'utilisation.

- H = valeur d'atténuation des hautes fréquences (réduction du niveau de bruit prévue où $L_C - L_A = -2$ dB). M = valeur d'atténuation des moyennes fréquences (réduction du niveau de bruit prévue où $L_C - L_A = +2$ dB). L = valeur d'atténuation des basses fréquences (réduction du niveau de bruit prévue où $L_C - L_A = +10$ dB).

- SNR = indice d'atténuation unique (la valeur qui est retranchée du niveau mesuré de pression acoustique pondéré C, L_C , afin d'estimer le niveau sonore pondéré réel A à l'intérieur de l'oreille).

Fabricant responsable : Husqvarna AB, SE-561 82
Husqvarna, Suède, tél. : +46-36-146500.

Niveau sonore

Le mode Radio FM et le mode Casque présentent un niveau sonore maximal équivalent de 82 dB (A).

Matériaux

Pièce	Matériau	Pièce	Matériau
Coquille intérieure	ABS	Serre-tête	POM+TPE
Coquille extérieure, gauche	ABS	Fourche du casque	PA66GF30
Coquille extérieure, droite	ABS+TPE	Ressort de fourche du casque	Acier
Inserts	PUR	Vis	Acier
Bagues d'étanchéité	ABS+TPE		

Sadržaj

Uvod.....	88	Prijevoz, spremanje i zbrinjavanje.....	93
Sigurnost.....	89	Dodaci.....	93
Sastavljanje.....	90	Tehnički podaci.....	94
Rad.....	91	Dodatak	229
Održavanje.....	93		

Uvod

Opis proizvoda

Proizvod X-SYNC (HP500BT-01, HP500BT-02) štitnik je za uši s ugrađenom potpuno dvosmjernom

Pregled proizvoda

(Sl. 1)

1. Gumb za zvuk iz okoline
2. Mikrofon koji radi ovisno o razini
3. Gumb za Bluetooth®
4. Mikrofon za pričanje
5. Gumb za način rada
6. Izlaz za kabel punjača s USB-C priključkom
7. Gumb za povećanje glasnoće
8. Gumb za smanjenje glasnoće
9. Gumb za uključivanje/isključivanje
10. Izlaz za mikrofon na nosaču

Usklađenost i odobrenja

Husqvarna AB, SE-561 82 Huskvarna, Sweden, tel: +46-36-146500, ovime izjavljuje da je radijska oprema tipa HP500BT-01 i HP500BT-01 u skladu s 2014/53/EU, 2011/65/EU i propisom (EU) 2016/425. Propis 2016/425 o osobnoj zaštitnoj opremi, s izmjenama, primjenjuje se u VB. Cijeli tekst izjave o sukladnosti za EU i izjave o sukladnosti za UK dostupan je na sljedećoj internetskoj adresi: www.husqvarna.com; potražite X-SYNC, HP500BT-01, HP500BT-02.

Vrijednosti prigušenja zvuka i razina buke ispitani su i odobreni u skladu s: EN 352-1:2020 (traka za glavu), EN 352-3:2020 (montirana na kacigu), EN 352-4:2020, EN 352-6:2020 i EN 352-8:2020.

Regulacijsko tijelo uključeno u procjenu sukladnosti je: Regulacijsko tijelo broj 1974. PZT GmbH, Bismarckstraße 264 B, 26389 Wilhelmshaven, Germany.

Ovlašteno tijelo u UK broj 0321. SATRA Technology Centre, Wyndham Way, Telford Way, Kettering, Northamptonshire, NN16 8SD, UK.

Certifikaciju i nadzor provela je tvrtka PZT.

Baterija je certificirana sukladno IEC62133 izdanju 2.

komunikacijom, bežičnom tehnologijom *Bluetooth®* i FM radijom. Model HP500BT-01 štitnik je za uši s trakom za glavu, a model HP500BT-02 štitnik je za uši za kacigu. Proizvod pruža zaštitu od štetne buke.



UK Importer:
Husqvarna UK Ltd
Preston Road, Co. Durham
DL5 6UP

FCC ID: ZASHP500BT, IC ID: 23307-HP500BT

Izjava o sukladnosti FCC-a za dobavljače osobe odgovorne za HP500BT-01, HP500BT-02.

Husqvarna Professional Products, Inc. 9335 Harris Corners Parkway Suite 500 Charlotte, NC 28269
Sjedinjene Američke Države.

Podaci za kontakt u SAD-u: Michael Campbell, menadžer za sukladnost proizvoda, telefon: +1 704 597 5000.

Izjava o sukladnosti FCC-a:

Ovaj je uređaj usklađen s dijelom 15. pravila Federalne komisije za komunikacije o smetnjama. Upotrebu uvjetuju sljedeća dva uvjeta: (1) Ovaj uređaj ne smije uzrokovati štetne smetnje i (2) ovaj uređaj mora prihvaćati sve primljene smetnje, uključujući smetnje koje mogu uzrokovati nepoželjan rad uređaja.

Oprema je ispitana i ispunjava ograničenja za digitalne uređaje razreda B u skladu s dijelom 15 pravila organizacije FCC. Ta ograničenja oblikovana su za pružanje razumne razine zaštite od štetnih smetnji u instalacijama u naseljenim područjima. Ova oprema stvara, upotrebljava i može odašiljati energiju radijskih

frekvencija i, ako nije instalirana i ne upotrebljava se u skladu s uputama, može uzrokovati štetne smetnje u radijskoj komunikaciji. Međutim, nije zajamčeno kako se smetnje neće pojaviti u određenim instalacijama. Ako oprema uzrokuje smetnje štetne za radijski ili televizijski prijem, što se utvrđuje isključenjem i uključanjem opreme, korisnika potičemo da pokuša ispraviti smetnje pomoću jedne ili više od sljedećih mjera:

- Povećajte udaljenost između opreme i prijemnika.
- Za pomoć se obratite ovlaštenom trgovcu.

Oznake na proizvodu nalaze se ispod brtvenog prstena i umetka od pjenaste spužve na desnom štitniku a uši.

Sadržaj prijenosni modul IC: 12246A-BM64S2

Ovaj uređaj ispunjava standarde RSS organizacije Industry Canada izuzetim od licenciranja. Pogon uvjetuju sljedeća dva uvjeta: (1) ovaj uređaj ne smije uzrokovati smetnje i (2) mora prihvaćati sve primljene smetnje, uključujući smetnje koje mogu uzrokovati nepoželjan rad uređaja.

Po propisima organizacije Industry Canada, ovaj radijski odašiljač dopušteno je upotrebljavati samo s vrstom antene s maksimalnim (ili nižim) pojačanjem koje Industry Canada odobrava za odašiljač. Radi smanjenja potencijalnih radijskih ometanja drugih korisnika vrsta antene i njeno pojačanje odabiru se tako da ekvivalentna izotropično odaslana snaga (equivalent isotropically radiated power, e.i.r.p.) nije veća od neophodne za komunikaciju.

Oznake na proizvodu nalaze se ispod brtvenog prstena i umetka od pjenaste spužve na desnom štitniku a uši.

Registrirani zaštitni znakovi

Natpis i logotipi *Bluetooth®* registrirani su zaštitni znakovi u vlasništvu tvrtke *Bluetooth SIG, inc.* i tvrtka Husqvarna za svaku upotrebu tih znakova posjeduje licenciju.

Sigurnost

Sigurnosne definicije

Upozorenjima, oprezima i napomenama naglašavaju se posebno važni dijelovi priručnika.



UPOZORENJE: Koristi se kada nepoštivanje uputa iz priručnika može uzrokovati smrt ili ozljede rukovatelja ili promatrača.



OPREZ: Koristi se kada nepoštivanje uputa iz priručnika može uzrokovati oštećenje proizvoda ili drugih materijala u neposrednoj blizini.

Napomena: Koristi se prikaz neophodnih dodatnih informacija za zadanu situaciju.

Opća sigurnost



UPOZORENJE: Prije upotrebe proizvoda pročitajte upute upozorenja u nastavku.

- Primjenjujte i sačuvajte ove upute.
- Za optimalno pristajanje i rad provjerite jeste li odabrali proizvod koji odgovara namjeni.
- Nemojte mijenjati dijelove proizvoda ili ih uklanjati. Provodite isključivo promjene navedene u ovom korisničkom priručniku.
- Prigušenje buke proizvodom znatno će se pogoršati ako se ne pridržavate uputa iz korisničkog priručnika. Štitnici za uši, poglavito jastučići,

upotrebom se troše i trebate u redovnim intervalima pregledavati jesu li napukli ili propuštaju li.

Pogledajte *Održavanje na stranici 93.*

- Određene kemijske tvari mogu nepovoljno utjecati na proizvod. Dodatne informacije zatražite od proizvođača. Proizvod držite podalje od agresivnih tvari i redovito ga čistite. Upotrebljavajte krpu sa sapunicom. Nemojte prati ili stavljati pod vodu.
- Sva servisiranja i popravci provode se u odobrenoj servisnoj radionici. Upotrebljavajte samo originalne rezervne dijelove tvrtke Husqvarna.
- Štitnike za uši nikada nemojte upotrebljavati nakon isteka 10 godina od datuma proizvodnje navedenog na ambalaži.
- Funkcionalnost uređaja može opadati sukladno trošenju baterije.

Sigurnosne upute za rad

- Nositelj koje je u bučnim okruženjima štitnike za uši trebao bi nositi cijelo vrijeme.
- Tijekom upotrebe proizvoda budite pažljivi i slušajte signale upozorenja. Glasnoća signala upozorenja može biti umanjena tijekom upotrebe proizvoda.
- Čujnost signala upozorenja na određenim radnim mjestima može biti umanjena pri upotrebi sustava za zabavu.
- Onemogućite udaranje proizvoda tijekom transporta i upotrebe.
- Proizvod upotrebljavajte na temperaturama između -20 °C i 55 °C. Ako proizvod upotrebljavate na drugim temperaturama, možete uzrokovati oštećenja elektronike, baterije i mehaničkih dijelova.
- Naučite primjenjivati proizvod prije upotrebe. Ako je proizvod oštećen, obratite se ovlaštenom serviseru. Nemojte otvarati kućište!

- Položaj higijenskih pokrova na jastučićima može utjecati na akustičnu izvedbu štitnika za uši. Obavezno upotrebljavajte originalnu dodatnu opremu.
- Štitnike za uši nemojte pritiskati uz školjku kacige. Ako to učinite, možete uzrokovati pukotine na strani kacige.

(Sl. 4)

- Proizvod nemojte skladištiti na temperaturama višima od 55 °C, primjerice na ploči s instrumentima. Proizvod nemojte skladištiti na temperaturama ispod -20 °C.
- Nositelj štitnike za uši treba postaviti, prilagoditi i održavati u skladu s ovim korisničkim priručnikom.
- Štitnici za uši opremljeni su sa sigurnosnim zvučnim ulazom. Korisnik bi prije uporabe trebao provjeriti ispravnost rada. Ako otkrije smetnju ili kvar, korisnik bi za održavanje trebao zatražiti savjet proizvođača.

Sigurnost akumulatora

- Štitnik za uši opremljen je s prigušenjem ovisnim o razini. Korisnik bi prije uporabe trebao provjeriti ispravnost rada. Ako otkrije kvar ili pogrešku, korisnik treba pratiti proizvođačeve upute za održavanje.
- Uređaj sadrži baterije i električne komponente koje mogu uzrokovati zapaljenje u zapaljivim ili eksplozivnim atmosferama. Nemojte ga koristiti u okruženjima u kojima iskre mogu uzrokovati požar ili eksploziju.
- Proizvod punite isključivo u rasponu temperature od 0 °C do 40 °C. Punjenjem izvan raspona temperature možete oštetiti elektroniku i bateriju.

Sastavljanje

Uvod



UPOZORENJE: Prije postavljanja proizvoda sklonite kosu na stranu. Pri rada s proizvodom provjerite jesu li brtvni prsteni čvrsto priljubljeni uz glavu i oko ušiju.

7. Nastavite sukladno uputama za sastavljanje za odobrenu kacigu.



OPREZ: Kabel ne smije biti savijen ili biti savijen pod malim polumjerom. Provjerite pomiče li se kabel neometano u otvor na kacigi.

Postavljanje štitnika za uši s trakom za glavu

1. Postavite traku za glavu oko glave.
2. Pomičite štitnike za uši gore ili dolje da biste podesili visinu. (Sl. 5)

Postavljanje štitnika za uši na kacigu

1. Na školjku kacige postavite odgovarajući priključak s adapterom. Pogledajte *Odobrene kacige na stranici 93*.
2. Postavite vilicu kacige na priključak s adapterom. (Sl. 6)

Napomena: Pogledajte *Odobrene kacige na stranici 93* za više informacija o priključcima za kacigu primjenjivima na vašoj kacigi.

3. Pomaknite štitnike za uši u najniži položaj.
4. Štitnike za uši podižite prema van i gore dok se ne zaključaju u položaju pripravnosti. (Sl. 7)
5. Postavite oznaku na kabel.
 - a) Na kacigi H300 oznaku postavite na 27 cm/11" (X) od pojedinog štitnika za uši.
 - b) Na kacigi Spire Vent X oznaku postavite na 14,5 cm/ 6" (Y) od pojedinog štitnika za uši. (Sl. 8)
6. Umetnite nastavak za kacigu u utor na kacigi. (Sl. 9)

Postavljanje štitnika za uši na kacigu H300

1. Otpustite opremu za glavu s kacige. (Sl. 10)
2. Kabelskim spojnicama ili kopčama pričvrstite kabel u otvore. (Sl. 11)
3. Ako pričvršćujete s kabelskim spojnicama, odrežite kabelsku spojnicu i blokadu kabelske spojnice utisnite u bočni utor.
4. Napravite petlju na kabelu i pričvrstite opremu za glavu i štitnik vrata. Kabel mora biti između školjke kacige i opreme za glavu. (Sl. 12)

Postavljanje štitnika za uši na kacigu Spire Vent X

1. Kabel u petlji usmjerite na stražnju stranu.
2. Kabel pomoću kabelskih spojnica pričvrstite za opremu za glavu. Kabelsku spojnicu umetnite kroz stražnji remen trake za glavu.
3. Odrežite kabelsku spojnicu.
4. Preostali dio kabela u petlji postavite na stražnju stranu, iza stražnje trake za glavu. (Sl. 13)

Postavljanje štitnika za uši u položaj za rad

1. Stavite kacigu na glavu.
2. Podešavajte štitnike za uši dok ih ne postavite čvrsto oko ušiju i uz glavu. (Sl. 14)

Postavljanje štitnika za uši u položaj pripravnosti

- Štitnike za uši podižite prema van i gore dok se ne zaključaju u položaju pripravnosti. (Sl. 15)

Postavljanje štitnika za uši u položaj za parkiranje

- Postavite štitnike za uši u položaj pripravnosti. Pogledajte *Postavljanje štitnika za uši u položaj pripravnosti na stranici 91*.

- Okrećite štitnike za uši duž bočne strane kacige dok se ne zaustave u položaju za parkiranje. (Sl. 16)

Priključivanje mikrofona na nosaču

U bučnim okolinama upotrebljavajte mikrofonski nosač.

- Postavite filtar vjetra na mikrofonski nosač.
- Priključite mikrofonski nosač na izlaz za mikrofonski nosač na desnom štitniku za uši. (Sl. 17)
- Mikrofonski nosač postavite 1 cm/0,4" (A) od usta.

Rad

Uvod



UPOZORENJE: Prije rada s proizvodom morate pročitati i usvojiti poglavlje o sigurnosti.

Punjenje proizvoda

- USB-C priključak na kabelu punjača priključite na izlaz na lijevoj strani štitnika za uši. (Sl. 18)
- USB priključak na kabelu punjača priključite na USB punjač ili drugu strujnu utičnicu za USB.

Napomena: Za punjenje s maksimalnim kapacitetom izlaz strujne utičnice mora biti na 5 V i omogućavati 2 A.

Napomena: Kada se baterija puni, LED indikator na gumbu za Bluetooth® polako treperi zeleno. Kada je baterija je potpuno napunjena, LED indikator na gumbu za Bluetooth® neprestano svijetli zeleno.

Pokretanje proizvoda

- Pritisnite i jednu sekundu zadržite gumb za uključivanje/isključivanje.

Napomena: Uključivanje proizvoda označava se zvučnim signalom. Zvučna poruka obavještava vas o statusu baterije i broju uređaja povezanih bežičnom tehnologijom Bluetooth®.

Zvučna poruka
BATTERY HIGH
BATTERY MEDIUM
BATTERY LOW
BATTERY CRITICAL

Zvučna poruka	LED indikator na gumbu za Bluetooth®
ONE BLUETOOTH DEVICE CONNECTED	LED indikator je plav.
TWO BLUETOOTH DEVICES CONNECTED	

Zamjena načina rada za FM radio i načina rada za Bluetooth®

- Za zamjenu načina rada za FM radio i načina rada za Bluetooth® dvaput brzo pritisnite gumb za način rada.

Napomena: Iz zvučne poruke doznajete koji ste način rada odabrali. Pogledajte tablicu u nastavku.

Zvučna poruka
RADIO
BLUETOOTH

Način rada za FM radio

U načinu rada za FM radio imate pristup FM radiju.

Promjena postaje FM radija

- Za promjenu postaje FM radija pritisnite i jednu sekundu zadržite gumb za povećanje glasnoće ili gumb za smanjenje glasnoće.

Način rada za Bluetooth®

U načinu rada za Bluetooth® proizvod možete povezati s uređajem putem bežične tehnologije Bluetooth®.

Postupak uparivanja s tehnologijom Bluetooth®

- Pritisnite i dvije sekunde zadržite i gumb za Bluetooth® kako biste pokrenuli funkciju uparivanja proizvoda.

Napomena: Postupak uparivanja započinje kada čujete zvučni signal i gumb za Bluetooth® počne treperiti plavom bojom. Postupak uparivanja uključen je 30 sekundi.

2. Pokrenite postupak uparivanja bežičnom tehnologijom Bluetooth® na uređaju.
3. Ako je potrebno, odaberite Husqvarna X-COM Active na popisu jedinica na uređaju.

Napomena: Zvučna poruka obavještava vas o statusu proizvoda. Pogledajte tablicu u nastavku.

Zvučna poruka	LED indikator na gumbu za Bluetooth®	Informacije
BLUETOOTH DEVICE CONNECTED	Stalno svijetli plavo.	Proizvod je povezan s uređajem bežičnom tehnologijom Bluetooth®.
BLUETOOTH CONNECTION FAILED	Stalno svijetli crveno na dvije sekunde.	Proizvod nije povezan s uređajem s bežičnom tehnologijom Bluetooth®.

Napomena: Uređaj s bežičnom tehnologijom Bluetooth® povezan s proizvodom automatski se povezuje pri sljedećoj upotrebi uređaja s proizvodom.

Zamjena zvučnog strujanja

- Pritisnite i 0,5 sekundi zadržite gumb za povećanje glasnoće kako biste odabrali sljedeće zvučno strujanje.
- Pritisnite i 0,5 sekundi zadržite gumb za smanjenje glasnoće kako biste odabrali prethodno zvučno strujanje.

Zaustavljanje ili pokretanje zvučnog strujanja

- Pritisnite gumb za način rada kako biste pokrenuli ili zaustavili zvučno strujanje.

Prihvatanje, završetak ili završetak telefonskog poziva

Ako je vaš mobilni uređaj povezan s proizvodom s bežičnom tehnologijom Bluetooth®, u štitnicama za uši čuje se signal pri dolaznom telefonskom pozivu.

- Za prihvatanje ili završetak telefonskog poziva pritisnite gumb za način rada.
- Za odbijanje dolaznog telefonskog poziva pritisnite gumb za način rada na jednu sekundu.

Napomena: Prihvatanje ili odbijanje telefonskog poziva označava se zvučnim signalom.

Zvučna poruka	Informacije
CALL ENDED	Telefonski razgovor je završio.

Prilagodba glasnoće

- Pritisnite gumb za povećanje ili smanjenje glasnoće kako biste podesili glasnoću. Zvučni signal označava minimalnu ili maksimalnu razinu glasnoće.

Postavljanje načina rada za zvuk iz okoline

U načinu rada za zvuk iz okoline možete čuti zvukove iz vaše okoline.

- Pritisnite gumb za zvuk iz okoline.

Napomena: Status načina rada za zvuk iz okoline prijavljuje se zvučnom porukom.

Zvučna poruka
AMBIENT LEVEL HIGH
AMBIENT LEVEL MEDIUM
AMBIENT LEVEL LOW
AMBIENT LEVEL OFF

Zaustavljanje proizvoda

- Pritisnite i jednu sekundu zadržite gumb za uključivanje/isključivanje.

Napomena: Zvučna poruka obavještava vas o statusu baterije i isključuju se LED indikatori. Zvučni signal obavještava vas da je proizvod je isključen.

Prisilno zaustavljanje proizvoda

- Pritisnite i 12 sekundi zadržite gumb za uključivanje/isključivanje.

Održavanje

Održavanje proizvoda



OPREZ: Proizvod nemojte ispirati ili potpuno uranjati u vodu.



OPREZ: Sprejevi, tekućine i druga sredstva za čišćenje koji sadrže otapala i/ili alkohol mogu smanjiti zaštitno djelovanje.



OPREZ: Upotrebljavajte originalne rezervne dijelove tvrtke Husqvarna.

1. Redovito čistite proizvod. Upotrijebite krpu sa slabom sapunicom.
2. Prije svake primjene provjerite stanje brtvenih prstena i umetaka od pjenaste spužve.
3. Brtvene prstenove i umetke od pjenaste spužve zamijenite svakih šest mjeseci, ako je neophodno i češće. Zračni raspored na brtvenom prstenu pri postavljanju treba se usmjeriti prema dolje. Primijenite originalni higijenski pribor koji obuhvaća brtvene prstenove i umetke od pjenaste spužve. Više informacija o higijenskom priboru potražite na www.husqvarna.com. (Sl. 19)

Napomena: Ako su štitnici za uši mokri s unutarnje strane, osušite ih u položaju za parkiranje. Pogledajte *Postavljanje štitnika za uši u položaj za parkiranje na stranici 91*.

4. Ako je membrana mikrofona za pričanje oštećena, zamijenite je.
5. Zamijenite oštećen filtar vjetra na mikrofona koji radi ovisno o razini, zamijenite ga.
6. Ako je oštećen filtar vjetra na mikrofona na nosaču, zamijenite ga.
7. Ako je potrebno, zamijenite podlogu Comfort Pad na traci za glavu. (Sl. 20)

Prijevoz, spremanje i zbrinjavanje

Prijevoz i skladištenje



OPREZ: Tijekom prijevoza i skladištenja štitnike za uši postavite u položaj za rad kako biste ublažili trošenje plastičnog materijala.

- Postavite štitnike za uši u položaj za rad. Pogledajte *Postavljanje štitnika za uši u položaj za rad na stranici 90*.
- Brtveni prstenovi ne smiju biti stlačeni.
- Stavite proizvod u suh i čist prostor.
- Proizvod uskladištite podalje od sunčeve svjetlosti.
- Bateriju napunite svakih šest tjedana kako biste zadržali njenu kvalitetu.

- Proizvod za transport postavite u siguran prostor.

Zbrinjavanje u otpad

- Poštujte državne propise.
- Poslužite se lokalnim sustavom za reciklažu.
- Ni proizvod ni njegova ambalaža ne spadaju u kućanski otpad. Reciklirajte ga u reciklažnoj stanici za električnu i električnu opremu.



Dodaci

Odobrene kacige

Proizvod upotrebljavajte samo sa sljedećim kacigama.

Model	Vrsta priključka za kacigu	Grafički prikaz adaptera	Odobrene dimenzije
Husqvarna Technical, H300	Adapter H300	(Sl. 21)	M/L
Husqvarna Spire	Adapter Spire	(Sl. 22)	L
KASK Zenith X			

Tehnički podaci

Tehnički podaci

Za tehničke podatke o svakom proizvodu pogledajte crteže u nastavku. Više tehničkih podataka potražite

u dodatnom tehničkom listu u ovom korisničkom priručniku.

(Sl. 2)

(Sl. 3)

Više informacija o sadržaju tehničkih podataka potražite u popisu u nastavku:

- F = frekvencije na kojima je mjereno prigušenje.
- Mf = srednja vrijednost.
- Sf = standardno odstupanje.
- APV (Mf - Sf) = pretpostavljena vrijednost zaštite.
- H = vrijednost prigušenja visoke frekvencije (predviđeno smanjenje razine buke za buku pri $L_C - L_A = -2$ dB). M = vrijednost prigušenja srednje frekvencije (predviđeno smanjenje razine buke za buku pri $L_C - L_A = +2$ dB). L = vrijednost prigušenja niske frekvencije (predviđeno smanjenje razine buke za buku pri $L_C - L_A = +10$ dB).

- SNR = jednobrojna ocjenska vrijednost (vrijednost oduzeta od izmjerene C-vrednovane razine tlaka zvuka, L_C , da bi se utvrdila efektivna A-vrednovana razina zvuka unutar uha.

Odgovorni proizvođač: Husqvarna AB, SE-561 82 Huskvarna, Švedska, tel: +46-36-146500.

Razina buke

U načinu rada za FM radio i načinu rada za slušalice maksimalna ekvivalentna razina zvuka je 82 dB (A).

Materijali

Dio	Materijal	Dio	Materijal
Unutarnja čašica	ABS	Traka za glavu	POM+TPE
Vanjska čašica, lijeva	ABS	Vilica kacige	PA66GF30
Vanjska čašica, desna	ABS+TPE	Opruga vilice kacige	Čelik
Umetci	LJUB	Vijci	Čelik
Brtveni prsteni	ABS+TPE		

TARTALOMJEGYZÉK

Bevezető.....	95	Szállítás, tárolás és ártalmatlanítás.....	101
Biztonság.....	96	Tartozékok.....	101
Összeszerelés.....	97	Műszaki adatok.....	101
Üzemeltetés.....	98	Melléklet	229
Karbantartás.....	100		

Bevezető

Termékleírás

A X-SYNC (HP500BT-01, HP500BT-02) típusú termék egy integrált teljes duplex kommunikációval, *Bluetooth® vezeték nélküli technológiával* és FM-rádióval ellátott

A termék áttekintése

(ábra 1)

1. Környezeti hang gomb
2. Szintfüggő mikrofon
3. Bluetooth® gomb
4. Beszédmikrofon
5. Módgomb
6. USB-C töltőkábel kimenet
7. Hangerőnövelő gomb
8. Hangerőcsökkentő gomb
9. Be-/kikapcsoló gomb
10. Karos mikrofon kimenet

Megfelelőség és engedélyek

A Husqvarna AB, SE-561 82 Huskvarna, Sweden, tel: +46-36-146500 ezennel kijelenti, hogy a HP500BT-01 és a HP500BT-02 típusú rádióberendezés összhangban van a 2014/53/EU, 2011/65/EU és a (EU) 2016/425 rendeletekkel. A 2016/425 számú rendelet a Nagy-Britanniára vonatkozó módosításokat tartalmazó, egyéni védőfelszerelésekről szóló rendelet. Az EU megfelelési nyilatkozat és az egyesült királyságbeli megfelelési nyilatkozat teljes szövege a következő internetes címen érhető el: www.husqvarna.com; keresse az alábbi kulcsszavakat: X-SYNC, HP500BT-01, HP500BT-02.

A termék zajtompítási értékeinek és zajszintjeinek tesztelése és jóváhagyása a következőnek megfelelően történt: EN 352-1:2020 (fejpánt), EN 352-3:2020 (sisaktartó), EN 352-4:2020, EN 352-6:2020 és EN 352-8:2020.

A megfelelési felmérésben részt vevő bejelentett tanúsítási szervezet: Bejelentett tanúsítási szervezet száma 1974. PZT GmbH, Bismarckstraße 264 B, 26389 Wilhelmshaven, Germany.

Egyesült királyságbeli jóváhagyott testület száma 0321. SATRA Technology Centre, Wyndham Way, Telford Way, Kettering, Northamptonshire, NN16 8SD, UK.

hallásvédő. A HP500BT-01 típusú modell fejpánttal rendelkező hallásvédő, a HP500BT-02 típusú modell pedig sisakkal használható hallásvédő. A termék védelmet nyújt a káros zajok ellen.

A tanúsítást és a monitoringot a PZT végezte.

Az akkumulátor tanúsítványa az IEC62133 2 kiadása szerinti.



UK Importer:
Husqvarna UK Ltd
Preston Road, Co. Durham
DL2 6UP

FCC ID: ZASHP500BT, IC ID: 23307-HP500BT

Az FCC beszállítók megfelelési nyilatkozata a HP500BT-01, HP500BT-02 típusú rádióberendezésre vonatkozóan Felelős fél.

Husqvarna Professional Products, Inc. 9335 Harris Corners Parkway Suite 500 Charlotte, NC 28269, Egyesült Államok.

Egyesült államokbeli kapcsolattartási adatok: Michael Campbell, termékmegfelelési menedzser, telefon: +1 704 597 5000.

FCC megfelelési nyilatkozat:

A készülék megfelel az FCC szabályzat 15. részének. A működtetésnek a következő két feltétele van: (1) ez a készülék nem okozhat káros interferenciát, és (2) a készüléknek fogadnia kell minden interferenciát, a nem kívánt működést okozó interferenciát is beleértve.

A berendezést tesztelésnek vetették alá, és megfelel a B osztályú digitális készülékekre vonatkozó határértékeknek, az FCC szabályzat 15. részének megfelelően. Ezeknek a határértékeknek az a célja, hogy megfelelő védelmet biztosítsanak a káros interferencia ellen lakossági környezetben történő használat esetén. A berendezés rádiófrekvenciás energiát hoz létre, használ fel és sugározhat, és ha nem az utasításoknak megfelelően szerelik fel és használják, a káros interferenciát okozhat a rádiókommunikációban. Ugyanakkor nincs arra vonatkozó garancia, hogy egy adott telepítés esetében nem lép fel interferencia. Ha ez a berendezés káros interferenciát okoz a rádió- vagy televízióadás vételében, ami a berendezés ki- és bekapcsolásával ellenőrizhető, akkor azt javasoljuk a felhasználónak, hogy próbálja meg az alábbi lépésekkel korrigálni az interferenciát:

- A berendezés és a vevőkészülék közötti távolság megnövelése.
- Forduljon segítségért a szakkereskedőhöz.

A terméken lévő jelölés megtalálásához távolítsa el a tömítőgyűrűt és a habgumi borítást a jobb oldali hallásvédőről.

A következő típusú rádióadó-modul IC-t tartalmaz: 12246A-BM64S2

Ez a készülék megfelel az Industry Canada licenc alól kivételt jelentő RSS szabvány(ok)nak. A működtetésnek

a következő két feltétele van: (1) ez a készülék nem okozhat interferenciát; és (2) a készüléknek el kell fogadnia minden interferenciát, a nem kívánt működést okozó interferenciát is beleértve.

Az Industry Canada előírásainak megfelelően ezt a rádióadót kizárólag olyan antenna használatával szabad működtetni, amelynek típusát és maximális erősítését jóváhagyta az Industry Canada az adott adóvevőre vonatkozóan. A más felhasználókat érő potenciális rádió-interferencia csökkentése érdekében az antenna típusát és erősítését úgy kell kiválasztani, hogy az egyenértékű izotróp kisugárzott teljesítménye (e.i.r.p.) ne legyen több a sikeres kommunikációhoz szükségesnél.

A terméken lévő jelölés megtalálásához távolítsa el a tömítőgyűrűt és a habgumi borítást a jobb oldali hallásvédőről.

Bejegyzett védjegyek

A *Bluetooth®* szövegdjegy és embléma a(z) *Bluetooth SIG, inc.* bejegyzett védjegye, és ezen jelzések Husqvarna általi használata licencelés keretében történik.

Biztonság

Biztonsági meghatározások

A figyelmeztetések, óvintézkedések és megjegyzések a használati utasítás kiemelten fontos részeire hívják fel a figyelmet.



FIGYELMEZTETÉS: Akkor használatos, ha a kézikönyv utasításainak be nem tartása esetén fennáll a kezelő vagy a közelben tartózkodók sérülésének vagy halálának veszélye.



VIGYÁZAT: Akkor használatos, ha a kézikönyv utasításainak be nem tartása esetén fennáll a vagyoni kár, illetve a termék vagy a környező terület károsodásának veszélye.

Megjegyzés: További információt biztosít az adott helyzetben szükséges tennivalókról.

Általános biztonság



FIGYELMEZTETÉS: A termék használata előtt olvassa el az alábbi figyelmeztetéseket.

- Használja és mentse a jelen utasításokat.
- Az opcionális illeszkedés és működés érdekében ügyeljen arra, hogy a megfelelő terméket válassza ki a saját maga általi használatra.
- Ne módosítsa és ne távolítsa el a termék alkatrészeit. Csak a használati utasításban megadott módosításokat végezze el.
- A termék zajtompító képessége jelentősen gyengülhet, ha nem követi a jelen Használati utasításban szereplő utasításokat. A hallásvédők – különösen a párnák – elhasználódhatnak, ezért gyakran ellenőrizni kell, nem láthatók-e rajtuk repedés vagy elhasználódás nyomai. Lásd: *Karbantartás100. oldalon.*
- Bizonyos vegyi anyagok káros hatással lehetnek a termékre. További tájékoztatással a gyártó szolgálhat. A terméket tartsa maró hatású anyagoktól távol, és rendszeresen tisztítsa meg. Használjon szappanos vízzel megnedvesített rongyot. Ne mossa le, és ne merítse teljesen vízbe.

- Minden szervizelési és javítási munkát hivatalos szakszerviznek kell elvégeznie. Kizárólag eredeti Husqvarna pótalkatrészeket használjon.
- A hallásvédőt soha ne használja a csomagoláson feltüntetett gyártási dátumtól számított 10 évnél tovább.
- A termék működése az akkumulátor-fogyasztás miatt romolhat.
- Ne nyomja neki a hallásvédő párnákat a sisak borításának. Ha így tesz, az repedéseket okozhat a sisak belsején.

(ábra 4)

- A terméket tilos +55 °C feletti hőmérsékleten, például autó műszerfalán tárolni. A terméket tilos -20 °C alatti hőmérsékleten tárolni.
- A felhasználónak meg kell győződnie arról, hogy a hallásvédő viselése, beállítása és karbantartása a jelen használati utasításnak megfelelően történik.
- A hallásvédő biztonsági audiobemenettel rendelkezik. Használat előtt a felhasználónak ellenőriznie kell, hogy megfelelően működik-e. Torzítás vagy hiba észlelése esetén lásd a gyártó karbantartásra vonatkozó tanácsait.

Biztonsági utasítások az üzemeltetéshez

- A felhasználónak ügyelnie kell arra, hogy zajos környezetekben végzett munka esetén mindig viselje a hallásvédőt.
- A termék használata során nagyobb körülményekkel járjon el, és figyeljen a figyelmeztető utasításokra. A termék használata során csökkenhet a figyelmeztető utasítások hangereje.
- Az adott munkavégzési területen csökkenhet a figyelmeztető utasítások hallhatósága.
- Ügyeljen arra, hogy a termék ne üthessen meg a szállítása és a használata közben.
- A terméket kizárólag -20 °C és +55 °C közötti hőmérsékleten használja. Ha a terméket más hőmérsékleti tartományban használja, az az elektronika, az akkumulátor és a mechanikus alkatrészek károsodását okozhatja.
- A használata előtt győződjön meg arról, hogy tisztában van a termék használati módjával. Ha a terméken károsodás található, forduljon az illetékes szakszervizhez. Ne nyissa fel a termék burkolatát!
- A párnák higiéniai borításának illeszkedése hatással lehet a hallásvédő akusztikai teljesítményére. Mindig eredeti tartozékokat használjon.

Az akkumulátorral kapcsolatos biztonsági előírások

- A hallásvédő szintfüggő zajtompítással rendelkezik. Használat előtt a felhasználónak ellenőriznie kell, hogy megfelelően működik-e. Hibás működés vagy fizikai hiba észlelése esetén a felhasználónak követnie kell a gyártó karbantartásra vonatkozó utasításait.
- A termék akkumulátort vagy elektromos komponenseket tartalmaz, amelyek gyúlékony vagy robbanásveszélyes környezetben gyújtó hatásúak lehetnek. Ne használja olyan környezetben, ahol a szikra tüzet vagy robbanást okozhat.
- A terméket kizárólag 0 °C és +40 °C közötti hőmérsékleten töltsse. A megadott hőmérséklet-tartományon kívüli töltés az elektronika és az akkumulátor károsodását okozhatja.

Összeszerelés

Bevezető



FIGYELMEZTETÉS: A termék összeszerelése előtt simítsa el oldalra a haját. A termék működtetése előtt biztosítsa, hogy a tömítőgyűrűk szorosan illeszkedjenek a fejéhez és a füle köré.

A fejpántra rögzített hallásvédő párnák felhelyezése

1. Helyezze a fejpántot a feje tetejére.
2. A magasság beállításához tolja feljebb vagy húzza lejjebb a hallásvédő párnákat. (ábra 5)

A hallásvédő párnák sisakhoz rögzítése

1. Szerelje fel a megfelelő típusú adaptert a sisakvázra. Lásd: *Jóváhagyott sisakok 101. oldalán.*
2. Szerelje fel a sisakvillát az adapterre. (ábra 6)

Megjegyzés: Lásd: *Jóváhagyott sisakok 101. oldalán* az adott sisak esetében megfelelő sisaktartozék kiválasztását illetően tekintse át a következőt:

3. Állítsa a hallásvédő párnákat a legalacsonyabb helyzetbe.
4. Emelje kifelé és felfelé a hallásvédő párnákat, amíg nem reteszelődnék a készenléti pozícióban. (ábra 7)
5. Helyezzen el egy jelölést a kábelen.

- a) H300 sisakok esetében a hallásvédő párnáktól számított 27 cm/11 hüvelyk távolságban (X) helyezze el a jelölést.
 - b) Spire Vent X sisakok esetében a hallásvédő párnáktól számított 14,5 cm/6 hüvelyk távolságban (Y) helyezze el a jelölést. (ábra 8)
6. Helyezze el a sisaktartozékot a sisakon lévő nyílásban. (ábra 9)
 7. Folytassa az összeszerelést a jóváhagyással rendelkező sisakra vonatkozó utasítások alapján.



VIGYÁZAT: Ügyeljen arra, hogy a kábel ne legyen megcsavarodva, illetve ne hajoljon meg kis sugarú körben. Ügyeljen arra, hogy a kábel akadálytalanul futhasson be a sisakon lévő nyílásba.

A hallásvédő párnák sisakhoz rögzítése H300

1. Oldja ki a sisakon lévő fejpántot. (ábra 10)
2. Rögzítse a kábelt a nyílásokhoz a kábelkötegelők vagy kapcsok segítségével. (ábra 11)
3. Ha a kábelt kábelkötegelővel rögzíti, vágja el a kábelkötegelőt, és nyomja be a kábelkötegelő zárját az oldalsó nyílásba.
4. Hozzon létre hurkot a kábelben, és csatlakoztassa a fejpántot és a nyakvédőt. Ügyeljen arra, hogy a kábel a sisak borítása és a fejpánt között helyezkedjen el. (ábra 12)

A hallásvédő párnák sisakhoz rögzítése Spire Vent X

1. Helyezze el a kábelt hurokban hátrafelé.
2. Csatlakoztassa a kábelt a fejpánthoz a kábelkötegelők segítségével. Csatlakoztassa a kábelkötegelőt a fejpánt tarkószalagján keresztül.

3. Vágja el a kábelkötegelőt.
4. Helyezze el a kábel fennmaradó részét hurokban, hátrafelé, a hátsó fejpánt mögött. (ábra 13)

A hallásvédő párnák működési pozícióba állítása

1. Vegye fel a védősisakot.
2. Igazítsa el úgy a hallásvédő párnákat, hogy szorosan illeszkedjenek a füleire és a fejére. (ábra 14)

A hallásvédő párnák készenléti pozícióba állítása

- Emelje kifelé és felfelé a hallásvédő párnákat, amíg nem reteszelődnék a készenléti pozícióban. (ábra 15)

A hallásvédő párnák parkoló pozícióba állítása

1. Helyezze készenléti pozícióba a hallásvédő párnákat. Lásd: *A hallásvédő párnák készenléti pozícióba állítása 98. oldalon.*
2. Fordítsa el a hallásvédő párnákat a sisak oldala mentén, amíg a parkoló pozíciójukban nem rögzülnek. (ábra 16)

A mikrofonkar csatlakoztatása

Magas zajszintű környezetekben használjon karos mikrofont.

1. Rögzítse a szélszűrőt a karos mikrofonra.
2. Csatlakoztassa a karos mikrofont a jobb oldali hallásvédő párnán található mikrofonkimenetbe. (ábra 17)
3. Helyezze a karos mikrofont 1 cm/0,4 hüvelyk (A) távolságra a szájától.

Üzemeltetés

Bevezető



FIGYELMEZTETÉS: A termék működtetése előtt el kell olvasnia és meg kell értenie a biztonságról szóló fejezetet.

A termék töltése

1. Csatlakoztassa a töltőkábel USB-C csatlakozóját a bal oldali hallásvédő párnán lévő kimenethez. (ábra 18)
2. Csatlakoztassa a töltőkábel USB csatlakozóját egy USB-töltőhöz vagy más USB töltőporthoz.

Megjegyzés: A maximális kapacitású töltéshez a töltőport kimenetének 5 V-nak és 2 A-nek kell lennie.

Megjegyzés: A Bluetooth® gombon lévő LED jelzőlámpa lassan zöld fénnel villog, amikor az akkumulátor töltődik. A Bluetooth® gombon lévő LED jelzőlámpa állandó zöld fénnel világít, ha az akkumulátor teljesen fel van töltve.

A termék elindítása

- Tartsa lenyomva 1 másodpercig a be-/kikapcsoló gombot.

Megjegyzés: Sípoló hang jelzi, hogy a termék be van kapcsolva. Egy hangüzenet tájékoztat az akkumulátor állapotáról és a vezeték nélküli technológiával Bluetooth® csatlakoztatott eszközök mennyiségéről.

Hangüzenet
BATTERY HIGH
BATTERY MEDIUM
BATTERY LOW
BATTERY CRITICAL

Hangüzenet	LED jelzőlámpa a Bluetooth® gombon
ONE BLUETOOTH DEVICE CONNECTED	A LED kék színű.
TWO BLUETOOTH DEVICES CONNECTED	

Az FM-rádió üzemmód és a Bluetooth® üzemmód közötti átváltás

- Az FM-rádió üzemmód és a Bluetooth® üzemmód közötti átváltáshoz nyomja le 2-szer gyorsan az üzemmód gombot.

Megjegyzés: Egy hangüzenet közli, hogy melyik üzemmódot választotta. Lásd a lenti táblázatot.

Hangüzenet
RADIO
BLUETOOTH

FM rádió üzemmód

FM rádió üzemmódban hozzáférést kap az FM rádió használatához.

Az FM-rádióállomás átváltása

- Az FM-rádióállomás átváltásához nyomja meg és tartsa lenyomva 1 másodpercig a hangerőnövelő vagy a hangerőcsökkentő gombot.

Bluetooth® üzemmód

Bluetooth® üzemmódban a terméket Bluetooth® vezeték nélküli technológiával ellátott készülékekhez lehet csatlakoztatni.

A Bluetooth® párosítási folyamat

- A termék párosításának megkezdéséhez nyomja le és 2 másodpercen át tartsa lenyomva a Bluetooth® gombot.

Megjegyzés: A párosítási művelet akkor kezdődik, amikor sípoló hangot hall, és a Bluetooth®

gomb kék fényvel villog. A párosítási művelet 30 másodpercig marad aktív.

- Indítsa el a Bluetooth® vezeték nélküli technológia párosítási műveletét a készüléken.
- Ha szükséges, válassza ki a Husqvarna X-COM Active lehetőséget a mértékegységek listájából a készüléken.

Megjegyzés: A termék állapotáról hangüzenet tájékoztat. Lásd a lenti táblázatot.

Hangüzenet	LED jelzőlámpa a Bluetooth® gombon	Információk
BLUETOOTH DEVICE CONNECTED	Állandó kék fény.	A termék csatlakoztatva van egy Bluetooth® vezeték nélküli technológiával ellátott készülékhez.
BLUETOOTH CONNECTION FAILED	Állandó piros fény 2 másodpercig.	A termék nincs csatlakoztatva Bluetooth® vezeték nélküli technológiával rendelkező készülékhez.

Megjegyzés: A Bluetooth® vezeték nélküli technológiával ellátott, a termékhez csatlakoztatott készülék automatikusan csatlakozni fog a termékhez a következő alkalommal, amikor a terméket a készülékkel együtt használja.

Audiostreamelés átváltása

- A következő audiostreamelés kiválasztásához nyomja meg és tartsa lenyomva a hangerőnövelő gombot 0,5 másodpercig.
- Az előző audiostreameléshez való visszatéréshez nyomja meg és tartsa lenyomva a hangerőcsökkentő gombot 0,5 másodpercig.

Audiostreamelés leállítása vagy elindítása

- Audiostreamelés leállításához vagy elindításához nyomja meg az üzemmód gombot.

Hívás fogadása, befejezése vagy elutasítása

Ha mobilkészüléke Bluetooth® vezeték nélküli technológiával csatlakozik a termékhez, bejövő telefonhívás esetén egy jelzés hallatszik a hallásvédőben.

- Telefonhívás fogadásához és befejezéséhez nyomja meg az üzemmód gombot.

- Bejövő telefonhívás elutasításához nyomja le 1 másodpercig az üzemmód gombot.

Megjegyzés: A hívás fogadását vagy elutasítását egy sípoló hang jelzi.

Hangüzenet	Információk
CALL ENDED	A hívás befejeződött.

Hangüzenet
AMBIENT LEVEL HIGH
AMBIENT LEVEL MEDIUM
AMBIENT LEVEL LOW
AMBIENT LEVEL OFF

A hangerő módosítása

- A hangerő módosításához nyomja meg a hangerőnövelő vagy a hangerőcsökkentő gombot. Sípoló hang jelzi, ha a hangerő a minimális vagy a maximális szinten van.

Környezeti hang üzemmód beállítása

A környezeti hang üzemmód lehetővé teszi, hogy meghallja a környezetében lévő hangokat.

- Nyomja le a környezeti hang gombot.

Megjegyzés: Egy hangüzenet tájékoztat a környezeti hang üzemmód állapotáról.

A termék leállítása

- Tartsa lenyomva 1 másodpercig a be-/kikapcsoló gombot.

Megjegyzés: Egy hangüzenet tájékoztat az akkumulátor állapotáról, és a LED jelzőlámpák kialszanak. Sípoló hang jelzi, hogy a termék ki van kapcsolva.

A termék erőltetett leállítása

- Tartsa lenyomva 12 másodpercig a be-/kikapcsoló gombot.

Karbantartás

A termék karbantartása



VIGYÁZAT: Ne öblítse át és ne merítse teljesen vízbe a terméket.



VIGYÁZAT: Az oldószert vagy alkoholt tartalmazó permetek, folyadékok vagy egyéb tisztítószeresek csökkenthetik a védelmi képességet.



VIGYÁZAT: Használjon eredeti Husqvarna pótalkatrészeket.

1. Rendszeresen tisztítsa meg a terméket. Használjon tisztítókendőt és enyhe szappanos oldatot.
2. Minden használat előtt végezze el a tömítőgyűrűk és a habgumi borítás ellenőrzését.
3. Cserélje ki a tömítőgyűrűket és a habgumi borításokat 6 havonta vagy szükség esetén ennél gyakrabban. Összeszerelés közben ügyeljen rá, hogy a szigetelőgyűrű szellőzőnyílása lefelé nézzen. Használja az eredeti higiéniai készletet, amely tartalmazza a tömítőgyűrűket és a habgumi borítást. A higiéniai készletről további információkat a www.husqvarna.com weboldalon talál. (ábra 19)

Megjegyzés: Ha a hallásvédő párnák belső oldala nedves, hagyja parkoló pozícióban megszáradni őket. Lásd: *A hallásvédő párnák parkoló pozícióba állítása 98. oldalon.*

4. Cserélje ki a beszédmikrofon membránját, ha az sérült.
5. Cserélje ki a szintfüggő mikrofon szélszűrőjét, ha az sérült.
6. Cserélje ki a karos mikrofon szélszűrőjét, ha az sérült.
7. Ha szükséges, cserélje ki a fejpánt Comfort Pad alkatrészét. (ábra 20)

Szállítás, tárolás és ártalmatlanítás

Szállítás és raktározás



VIGYÁZAT: A műanyag részek kopásának csökkentése érdekében szállítás és tárolás közben állítsa a hallásvédő párnákat működési pozícióba.

- Állítsa a hallásvédő párnákat működési pozícióba. Lásd: *A hallásvédő párnák működési pozícióba állítása* 98. oldalon.
- Ügyeljen arra, hogy ne legyenek megnyomódva a tömítőgyűrűk.
- Helyezze a terméket egy száraz és tiszta helyre.
- Tárolás közben tartsa távol a terméket napfénytől.
- Az akkumulátor minőségének fenntartása érdekében az akkumulátort 6 hetente töltsse fel.

- A szállítás során biztonságosan helyezze el a terméket.

Hulladékkezelés

- Tartsa be a nemzeti előírásokat.
- Használja a helyi újrahasznosítási rendszert.
- A termék és a termék csomagolása nem minősül háztartási hulladéknak. Újrahasznosítását egy elektromos és elektronikus berendezések újrahasznosítására szolgáló ponton kell elvégezni.



Tartozékok

Jóváhagyott sisakok

A terméket kizárólag az alábbi sisakokkal szabad használni.

Típus	Sisaktartozék típusa	Adapter ábrája	Jóváhagyott méretek
Husqvarna Technical, H300	H300 adapter	(ábra 21)	M/L
Husqvarna Spire	Spire adapter	(ábra 22)	L
KASK Zenith X			

Műszaki adatok

Műszaki adatok

Lásd az alábbi illusztrációkat az egyes termékek műszaki adataiért. További műszaki adatokért tekintse

(ábra 2)
(ábra 3)

A műszaki adatok tartalmával kapcsolatos további információkért lásd az alábbi listát:

- F = azon frekvenciák, amelyeken elvégezték a csillapítás mérését.
- Mf = átlagérték.
- Sf = szórás.
- APV (Mf-Sf) = Védelem feltételezett értéke.
- H = magas frekvenciájú zajtompítási érték (előrelátható zajszintcsökkenés $L_{C-L_A} = -2$ dB-lel

meg a jelen kezelői kézikönyv műszaki adatokat tartalmazó mellékletét.

- jellemzett zaj esetén). M = közepes frekvenciájú zajtompítási érték (előrelátható zajszintcsökkenés $L_{C-L_A} = +2$ dB-lel jellemzett zaj esetén). L = alacsony frekvenciájú zajtompítási érték (előrelátható zajszintcsökkenés $L_{C-L_A} = +10$ dB-lel jellemzett zaj esetén).
- SNR = egyszámú értékelés (az az érték, amely levonásra kerül a mért C-súlyozású hangnyomásszintből, L_C , a fül belsejében fennálló

tényleges A-súlyozású zajszint megbecsülése érdekében).

Felelős gyártó: A Husqvarna AB, SE-561 82 Huskvarna, Svédország, tel: +46-36-146500.

Hangszint

Az FM rádió üzemmód és a Headset üzemmód maximális hangereje 82 dB (A) zajszintnek felel meg.

Anyagok

Alkatrész	Anyag	Alkatrész	Anyag
Belső fülvédő	ABS	Fejpánt	POM+TPE
Külső fülvédő, bal oldali	ABS	Sisakvilla	PA66GF30
Külső fülvédő, jobb oldali	ABS+TPE	Sisakvilla rugója	Acél
Borítások	ÁTL	Csavarok	Acél
Tömítőgyűrűk	ABS+TPE		

Sommario

Introduzione.....	103	Trasporto, stoccaggio e smaltimento.....	108
Sicurezza.....	104	Accessori.....	109
Montaggio.....	105	Dati tecnici.....	109
Utilizzo.....	106	Appendice	229
Manutenzione.....	108		

Introduzione

Descrizione del prodotto

Il prodotto X-SYNC (HP500BT-01, HP500BT-02) è un paio di cuffie protettive con comunicazione full-duplex integrata, *tecnologia wireless Bluetooth®* e radio FM.

Panoramica del prodotto

(Fig. 1)

1. Pulsante Rumori ambiente
2. Microfono dipendente dal livello
3. Pulsante Bluetooth®
4. Microfono vocale
5. Pulsante MODE (Modalità)
6. Uscita cavo caricabatterie USB-C
7. Pulsante Volume su
8. Pulsante Volume giù
9. Pulsante On/Off
10. Uscita microfono ad asta

Conformità e approvazioni

Con la presente, Husqvarna AB, SE-561 82 Huskvarna, Sweden, tel: +46-36-146500, dichiara che l'apparecchiatura radio di tipo HP500BT-01 e HP500BT-02 è conforme alle direttive 2014/53/EU, 2011/65/EU e al regolamento (EU) 2016/425. Regolamento 2016/425 sui dispositivi di protezione individuale e successive modifiche per l'applicazione nel Regno Unito. Il testo completo della dichiarazione di conformità UE e della dichiarazione di conformità per il Regno Unito è disponibile online al seguente indirizzo: www.husqvarna.com; cercare X-SYNC, HP500BT-01, HP500BT-02.

I valori di attenuazione del prodotto e i livelli acustici sono testati e approvati in base a: EN 352-1:2020 (fascia), EN 352-3:2020 (montaggio su casco), EN 352-4:2020, EN 352-6:2020 e EN 352-8:2020.

L'organismo notificato che partecipa alla valutazione della conformità è: numero dell'organismo notificato: 1974. PZT GmbH, Bismarckstraße 264 B, 26389 Wilhelmshaven, Germany.

Numero dell'organismo autorizzato per il Regno Unito: 0321. SATRA Technology Centre, Wyndham Way, Telford Way, Kettering, Northamptonshire, NN16 8SD, UK.

Il modello HP500BT-01 è un paio di cuffie protettive con fascia e il modello HP500BT-02 è un paio di cuffie protettive per casco. Il prodotto protegge dai rumori dannosi.

Certificazione e monitoraggio eseguiti da PZT.

La batteria è certificata in conformità alla normativa IEC62133 edizione 2.



UK Importer:
Husqvarna UK Ltd
Preston Road, Co. Durham
DL15 6UP

FCC ID: ZASHP500BT, IC ID: 23307-HP500BT

Dichiarazione di conformità del fornitore FCC per HP500BT-01, HP500BT-02, parte responsabile.

Prodotti professionali Husqvarna, Inc. 9335 Harris Corners Green Parkway Suite 500 Charlotte, NC 28269 Stati Uniti.

Informazioni di contatto degli Stati Uniti: Michael Campbell, Manager Product Compliance, telefono: +1 704 597 5000.

Dichiarazione di conformità FCC:

Questo dispositivo è conforme alla Parte 15 delle norme FCC. Il funzionamento è soggetto alle due condizioni seguenti: (1) Questo dispositivo non deve causare interferenze dannose e (2) deve tollerare qualsiasi interferenza in ricezione, comprese le interferenze che potrebbero causare un funzionamento indesiderato.

Questo dispositivo è stato testato e ritenuto conforme ai limiti per un dispositivo digitale di Classe B, secondo la Parte 15 delle norme FCC. Tali limiti sono stati definiti per assicurare un'adeguata protezione contro le interferenze nocive in installazioni residenziali. L'apparecchiatura genera, utilizza e può irradiare energia a radiofrequenza e, se non installata e utilizzata secondo le istruzioni, può causare interferenze nocive alle radiocomunicazioni. Tuttavia, non esiste alcuna garanzia che tali interferenze non si verifichino in una particolare installazione. Qualora il dispositivo dovesse generare interferenze nocive alla ricezione del segnale radio o televisivo, rilevate durante l'accensione o lo spegnimento del dispositivo, è opportuno eliminarle in uno o più dei modi seguenti:

- Aumentare la distanza tra il dispositivo e il ricevitore.
- Consultare il proprio rivenditore per ricevere assistenza.

La marcatura sul prodotto può essere trovata rimuovendo l'anello di tenuta e l'inserito di gomma in schiuma sulla cuffia destra.

Contiene il modulo trasmettitore IC: 12246A-BM64S2

Questo dispositivo è conforme agli standard RSS esenti da licenza di Industry Canada. Il funzionamento è

soggetto alle due condizioni seguenti: (1) il dispositivo non deve causare interferenze e (2) deve accettare qualsiasi interferenza, comprese le interferenze che potrebbero compromettere il funzionamento.

Secondo le normative Industry Canada, questo trasmettitore radio può funzionare solo utilizzando un'antenna di tipo e guadagno massimo (o inferiore) approvato per il trasmettitore da Industry Canada. Per ridurre la potenziale interferenza radio per gli altri utenti, il tipo di antenna e il relativo guadagno devono essere scelti in modo tale che la potenza irradiata isotropicamente (e.i.r.p.) non sia superiore a quella necessaria per una comunicazione efficace.

La marcatura sul prodotto può essere trovata rimuovendo l'anello di tenuta e l'inserito di gomma in schiuma sulla cuffia destra.

Marchi registrati

Il marchio denominativo e il logo *Bluetooth®* sono marchi registrati di proprietà di *Bluetooth SIG, inc.* e qualsiasi utilizzo di tali marchi da parte di Husqvarna è soggetto a licenza.

Sicurezza

Definizioni di sicurezza

Le avvertenze, le precauzioni e le note sono utilizzate per evidenziare le parti importanti del manuale.



AVVERTENZA: Utilizzato se è presente un rischio di lesioni o morte dell'operatore o di passanti nel caso in cui le istruzioni del manuale non vengano rispettate.



ATTENZIONE: Utilizzato se è presente un rischio di danni al prodotto, ad altri materiali oppure alla zona adiacente nel caso in cui le istruzioni del manuale non vengano rispettate.

Nota: Utilizzato per fornire ulteriori informazioni necessarie in una determinata situazione.

Istruzioni di sicurezza generali



AVVERTENZA: Leggere le seguenti avvertenze prima di utilizzare il prodotto.

- Utilizzare e conservare queste istruzioni.

- Per il massimo comfort e funzione, accertarsi di aver selezionato il prodotto corretto per l'uso.
- Non modificare o rimuovere componenti del prodotto. Eseguire esclusivamente i cambiamenti riportati nel presente manuale operatore.
- L'attenuazione del rumore del prodotto sarà gravemente compromessa se non vengono seguite le istruzioni riportate in questo manuale dell'operatore. Le cuffie, in particolare i cuscinetti, possono deteriorarsi con l'uso e devono essere controllate frequentemente per individuare eventuali rotture o perdite. Fare riferimento a *Manutenzione alla pagina 108*.
- Il prodotto può essere danneggiato da alcune sostanze chimiche. Per maggiori informazioni contattare il produttore. Tenere lontano da sostanze di tipo aggressivo e pulire il prodotto regolarmente. Utilizzare un panno con acqua e sapone. Non lavare o inserire completamente in acqua.
- L'assistenza e la riparazione devono essere eseguite da un'officina di assistenza autorizzata. Utilizzare unicamente ricambi originali Husqvarna.
- L'utilizzo delle cuffie non deve mai superare i 10 anni a partire dalla data di fabbricazione riportata sulla confezione.
- La funzionalità del prodotto potrebbe deteriorarsi con il consumo della batteria.

Istruzioni di sicurezza per il funzionamento

- L'operatore deve assicurarsi di indossare sempre le cuffie negli ambienti rumorosi.
- Prestare maggiore attenzione e ascoltare i segnali di avvertimento quando si utilizza il prodotto. Il rumore proveniente dai segnali di allarme può diminuire quando si utilizza il prodotto.
- L'udibilità dei segnali di avvertimento sul posto di lavoro specifico può essere compromessa durante l'utilizzo della struttura di intrattenimento.
- Assicurarsi che il prodotto non venga colpito durante il trasporto e l'uso.
- Utilizzare l'apparecchio solo a temperature tra -20 °C e +55 °C. Se si utilizza il prodotto ad altre temperature, ciò può causare danni ai componenti elettronici, batteria e parti meccaniche.
- Assicurarsi di sapere come utilizzare il prodotto prima di utilizzarlo. In caso di danni al prodotto, rivolgersi al proprio rivenditore di assistenza. Non aprire il rivestimento!
- Il montaggio delle protezioni igieniche sui cuscinetti può influire sulla prestazione acustica delle cuffie. Utilizzare sempre accessori originali.
- Non spingere le cuffie contro la struttura del casco. Questo potrebbe provocare delle crepe intorno al casco.

(Fig. 4)

- Non conservare il prodotto a temperature superiori a +55 °C, ad esempio su un cruscotto. Non conservare il prodotto a temperature inferiori a -20 °C.
- L'operatore deve assicurarsi che le cuffie siano montate, regolate e sottoposte a manutenzione secondo quanto indicato nel manuale dell'operatore.
- Le cuffie vengono fornite con ingresso audio di sicurezza. Prima dell'utilizzo, l'operatore deve controllarne il corretto funzionamento. In caso di distorsione o mancato funzionamento, l'operatore deve fare riferimento alle indicazioni di manutenzione del costruttore.

Sicurezza batterie

- Le cuffie sono dotate di attenuazione dipendente dal livello. Prima dell'utilizzo, l'operatore deve controllarne il corretto funzionamento. In caso di guasto o malfunzionamento, l'operatore deve attenersi alle istruzioni per la manutenzione fornite dal produttore.
- Il prodotto contiene batterie e componenti elettrici che possono incendiare atmosfere infiammabili o esplosive. Non usare in ambienti in cui una scintilla possa causare incendio o esplosione.
- Caricare il prodotto solo a una temperatura compresa tra 0 °C e +40 °C. Ricaricare fuori dall'intervallo di temperatura potrebbe danneggiare i componenti elettronici e la batteria.

Montaggio

Introduzione



AVVERTENZA: Spostare i capelli di lato prima di montare il prodotto. Assicurarsi che gli anelli di tenuta siano ben saldi contro la testa e intorno alle orecchie prima di utilizzare il prodotto.

Indossare le cuffie con la fascia

1. Posizionare la fascia sulla parte superiore della testa.
2. Spostare le cuffie verso l'alto o verso il basso per regolare l'altezza. (Fig. 5)

Montare le cuffie su un casco

1. Montare il tipo di attacco dell'adattatore corretto sulla struttura del casco. Fare riferimento a *Caschi omologati alla pagina 109*.
2. Fissare la forcella del casco sull'attacco dell'adattatore. (Fig. 6)

Nota: Fare riferimento a *Caschi omologati alla pagina 109* per ulteriori informazioni sul tipo di attacco del casco applicabile al proprio casco.

3. Spostare le cuffie nella posizione più bassa.
4. Sollevare le cuffie verso l'esterno e verso l'alto finché non si bloccano in posizione di standby. (Fig. 7)
5. Fare un segno sul cavo.
 - a) Per il casco H300, fare un segno a 27 cm/11 pollici (X) da ciascuna cuffia.
 - b) Per il casco Spire Vent X, fare un segno a 14,5 cm/6 pollici (Y) da ciascuna cuffia. (Fig. 8)
6. Posizionare l'attacco del casco nella relativa fessura. (Fig. 9)
7. Continuare con le istruzioni di montaggio per il casco omologato.



ATTENZIONE: Accertarsi che il cavo non sia attorcigliato o che abbia un piccolo raggio di curvatura. Accertarsi che il cavo possa muoversi facilmente nell'apertura del casco.

Montaggio delle cuffie sul casco H300

1. Slacciare il cinghiaggio della testa dal casco. (Fig. 10)
2. Fissare il cavo ai fori con le fascette stringicavo o le clip. (Fig. 11)

3. Se il cavo viene fissato con le fascette stringicavo, tagliare la fascetta stringicavo e spingere il blocco della fascetta stringicavo nella fessura laterale.
4. Creare un anello del cavo e collegare il cinghiaggio della testata e la protezione collo. Assicurarsi che il cavo sia tra la struttura del casco e il cinghiaggio della testa. (Fig. 12)

Montaggio delle cuffie sul casco Spire Vent X

1. Inserire il cavo in un anello all'indietro.
2. Collegare il cavo al cinghiaggio della testa con le fascette stringicavo. Collegare la fascetta stringicavo attraverso l'imbracatura della fascia.
3. Tagliare la fascetta stringicavo.
4. Inserire la parte rimanente del cavo in un anello all'indietro, dietro alla fascia posteriore. (Fig. 13)

Per fissare le cuffie in posizione di funzionamento

1. Mettere il casco sulla testa.
2. Regolare le cuffie fino a quando sono strette intorno alle orecchie e contro la testa. (Fig. 14)

Posizionare le cuffie in posizione di rientro

- Sollevare le cuffie verso l'esterno e verso l'alto finché non si bloccano in posizione di standby. (Fig. 15)

Posizionare le cuffie in posizione di rientro

1. Posizionare le cuffie in posizione standby. Fare riferimento a *Posizionare le cuffie in posizione di rientro alla pagina 106*.
2. Ruotare le cuffie all'indietro lungo il lato del casco finché non scattano in posizione di rientro. (Fig. 16)

Collegamento del microfono ad asta

Utilizzare un microfono boom in ambienti con molto rumore.

1. Fissare il filtro antivento al microfono ad asta.
2. Collegare il microfono ad asta all'uscita del microfono sulla cuffia destra. (Fig. 17)
3. Posizionare il microfono ad asta a 1 cm/0,4 pollici (A) dalla bocca.

Utilizzo

Introduzione



AVVERTENZA: Prima di utilizzare il prodotto, è necessario leggere e comprendere il capitolo relativo alla sicurezza.

Caricare il prodotto

1. Collegare il connettore USB-C del cavo del caricabatteria all'uscita sulla cuffia sinistra. (Fig. 18)
2. Collegare il connettore USB del cavo del caricabatteria a un caricabatterie USB o a un'altra presa di corrente USB.

Nota: L'uscita della presa di corrente deve essere a 5 V e 2 A per eseguire la ricarica alla massima capacità.

Nota: La spia LED sul pulsante Bluetooth® lampeggia lentamente in verde mentre la batteria è in carica. La spia LED sul pulsante Bluetooth® è verde fissa quando la batteria è completamente carica.

Avviamento del prodotto

- Tenere premuto il pulsante On/Off per 1 secondo.

Nota: Un segnale acustico indica che il prodotto è acceso. Un messaggio audio indica lo stato della

batteria e la quantità di dispositivi collegati con tecnologia wireless Bluetooth®.

Messaggio audio
BATTERY HIGH
BATTERY MEDIUM
BATTERY LOW
BATTERY CRITICAL

Messaggio audio	Spia LED sul pulsante Bluetooth®
ONE BLUETOOTH DEVICE CONNECTED	Il LED è blu.
TWO BLUETOOTH DEVICES CONNECTED	

Per passare dalla modalità radio FM alla modalità Bluetooth®

- Premere rapidamente il pulsante MODE 2 volte per passare dalla modalità radio FM alla modalità Bluetooth® e viceversa.

Nota: Un messaggio audio indica la modalità selezionata. Fare riferimento alla tabella seguente.

Messaggio audio
RADIO
BLUETOOTH

Modalità radio FM

Nella modalità Radio Fm si accede alla radio FM.

Cambiare stazione radio FM

- Tenere premuto per 1 secondo il pulsante Volume su o il pulsante Volume giù per cambiare stazione radio FM.

Modalità Bluetooth®

In modalità Bluetooth®, è possibile collegare il prodotto a un dispositivo con tecnologia wireless Bluetooth®.

Operazione di associazione Bluetooth®

1. Tenere premuto il pulsante Bluetooth® per 2 secondi per avviare l'operazione di associazione sul prodotto.

Nota: L'operazione di associazione inizia quando viene emesso un segnale acustico e il pulsante Bluetooth® lampeggia in blu. L'operazione di associazione è attiva per 30 secondi.

2. Avviare la funzione di associazione per la tecnologia wireless Bluetooth® sul dispositivo.
3. Se necessario, selezionare Husqvarna X-COM Active nell'elenco delle unità sul dispositivo.

Nota: Un messaggio audio indica lo stato del prodotto. Fare riferimento alla tabella seguente.

Messaggio audio	Spia LED sul pulsante Bluetooth®	Informazione
BLUETOOTH DEVICE CONNECTED	Spia blu fissa.	Il prodotto è collegato a un dispositivo con tecnologia wireless Bluetooth®.
BLUETOOTH CONNECTION FAILED	Spia rossa fissa per 2 secondi.	La batteria non è collegata a un dispositivo con tecnologia wireless Bluetooth®.

Nota: Un dispositivo con tecnologia wireless Bluetooth® collegato al prodotto, si collega automaticamente al prodotto la volta successiva che il prodotto viene utilizzato con il dispositivo.

Modifica dello streaming audio

- Tenere premuto il pulsante Volume su per 0,5 secondi per selezionare lo streaming audio successivo.
- Tenere premuto il pulsante Volume giù per 0,5 secondi per tornare allo streaming audio precedente.

Avvio o interruzione dello streaming audio

- Premere il pulsante MODE per interrompere o avviare lo streaming audio.

Accettare, terminare o ignorare una chiamata

Se il dispositivo mobile è collegato al prodotto con tecnologia wireless Bluetooth®, nelle cuffie è possibile sentire un segnale acustico in caso di chiamata in arrivo.

- Premere il pulsante MODE per accettare o terminare la chiamata.
- Premere il pulsante MODE per 1 secondo per ignorare una chiamata in arrivo.

Nota: Un segnale acustico indica quando la chiamata viene accettata o ignorata.

Messaggio audio	Informazione
CALL ENDED	La chiamata è terminata.

Regolare il volume

- Premere il pulsante del Volume su o il pulsante del Volume giù per regolare il volume. Un segnale acustico indica quando il volume è al livello minimo o massimo.

Impostare la modalità Rumori ambiente

La modalità Rumori ambiente consente di ascoltare i rumori dell'ambiente circostante.

- Premere il pulsante Rumori ambiente.

Nota: Un messaggio audio indica lo stato della modalità Rumori ambiente.

Messaggio audio
AMBIENT LEVEL HIGH
AMBIENT LEVEL MEDIUM
AMBIENT LEVEL LOW
AMBIENT LEVEL OFF

Arresto del prodotto

- Tenere premuto il pulsante On/Off per 1 secondo.

Nota: Un messaggio audio indica lo stato della batteria e le spie LED si spengono. Un segnale acustico indica che il prodotto è spento.

Spegnere il prodotto in modo forzato

- Tenere premuto il pulsante On/Off per 12 secondi.

Manutenzione

Manutenzione del prodotto



ATTENZIONE: Non lavare o inserire il prodotto completamente in acqua.



ATTENZIONE: Spray, liquidi o altri detergenti contenenti solventi e/o alcol possono ridurre il livello di protezione.



ATTENZIONE: Utilizzare ricambi originali Husqvarna.

1. Pulire il prodotto regolarmente. Utilizzare un panno con una soluzione di sapone delicata.
2. Eseguire un controllo delle condizioni degli anelli di tenuta e gli inserti di gomma in schiuma prima di ogni utilizzo.
3. Sostituire gli anelli di tenuta e gli inserti di gomma in schiuma ogni 6 mesi o con maggiore frequenza, se necessario. Durante il montaggio, verificare che il foro per l'aria sull'anello di tenuta sia rivolto verso il basso. Utilizzare il kit igiene originale, che include gli anelli di tenuta e gli inserti di gomma in schiuma. Per ulteriori informazioni sul kit igiene, fare riferimento a www.husqvarna.com. (Fig. 19)

Nota: Se le cuffie sono bagnate sul lato interno, lasciarle asciugare in posizione di rientro. Fare riferimento a *Posizionare le cuffie in posizione di rientro alla pagina 106*.

4. Sostituire la membrana del microfono vocale, se danneggiata.
5. Sostituire il filtro antivento del microfono dipendente dal livello, se danneggiato.
6. Sostituire il filtro antivento sul microfono ad asta, se danneggiato.
7. Sostituire il Comfort Pad della fascia, se necessario. (Fig. 20)

Trasporto, stoccaggio e smaltimento

Trasporto e stoccaggio



ATTENZIONE: Durante il trasporto e lo stoccaggio, portare le cuffie in posizione di funzionamento per ridurre l'usura della plastica.

- Sistemare le cuffie in posizione di funzionamento. Fare riferimento a *Per fissare le cuffie in posizione di funzionamento alla pagina 106*.
- Assicurarsi che gli anelli di tenuta non siano compressi.
- Conservare il prodotto in un ambiente asciutto e pulito.
- Durante lo stoccaggio, tenere il prodotto al riparo dalla luce solare.

- Caricare la batteria ogni 6 settimane per mantenere la qualità della batteria.
- Mettere il prodotto in un posto sicuro durante il trasporto.

Smaltimento

- Rispettare le norme nazionali.
- Utilizzare il sistema di smaltimento locale.
- Il prodotto o l'imballaggio del prodotto non è un rifiuto domestico. Riciclarlo in una stazione di riciclaggio per apparecchiature elettriche ed elettroniche.



Accessori

Caschi omologati

Usare il prodotto solo con i seguenti caschi.

Modello	Tipo di attacco del casco	Immagine dell'adattatore	Dimensioni approvate
Husqvarna Technical, H300	Adattatore H300	(Fig. 21)	M/L
Husqvarna Spire	Adattatore Spire	(Fig. 22)	L
KASK Zenith X			

Dati tecnici

Dati tecnici

Per i dati tecnici di ciascun prodotto, fare riferimento alle seguenti illustrazioni. Per ulteriori dati tecnici, fare

(Fig. 2)

(Fig. 3)

Per ulteriori informazioni sul contenuto dei dati tecnici, fare riferimento all'elenco seguente:

- F = Frequenze in cui l'attenuazione viene misurata.
- MF = Valore medio.
- SF = Deviazione standard.
- APV (Mf-Sf) = Valore presunto protezione.
- H = Valore di attenuazione ad alta frequenza (riduzione del livello di rumore previsto per il rumore dove $L_C-L_A = -2$ dB). M = Valore di attenuazione a media frequenza (riduzione del livello di rumore previsto per il rumore dove $L_C-L_A = +2$ dB). L = Valore di attenuazione a bassa frequenza (riduzione

riferimento alla scheda dei dati tecnici fornita come appendice al presente manuale dell'operatore.

del livello di rumore previsto per il rumore dove $L_C-L_A = +10$ dB).

- SNR = Single Number Rating (il valore che viene sottratto dal livello di pressione sonora ponderato C misurato, L_C , per stimare il livello acustico effettivo ponderato A all'interno dell'orecchio).

Produttore responsabile: Husqvarna AB, SE-561 82 Huskvarna, Svezia, tel.: +46-36-146500.

Livello acustico

Le modalità Radio FM e Auricolari hanno un livello acustico equivalente massimo di 82 dB (A).

Materiali

Componente	Materiale	Componente	Materiale
Padiglione auricolare interno	ABS	Fascia	POM+TPE
Auricolare esterno sinistro	ABS	Forcella casco	PA66GF30
Auricolare esterno destro	ABS+TPE	Molla della forcella casco	Acciaio
Inserti	VIOLA	Viti	Acciaio
Anelli di tenuta	ABS+TPE		

TURINYS

Įvadas.....	110	Transportavimas, saugojimas ir utilizavimas.....	115
Sauga.....	111	Priedai.....	115
Surinkimas.....	112	Techniniai duomenys.....	116
Naudojimas.....	113	Priedas	229
Techninė priežiūra.....	115		

Įvadas

Gaminio aprašas

Gaminys „X-SYNC (HP500BT-01, HP500BT-02)“ – tai apsauginės ausinės su integruotu viena laikiu abipusiu ryšiu, „Bluetooth®“ be laidė technologija ir FM radiju.

Gaminio apžvalga

(Pav. 1)

1. Aplinkos garso mygtukas
2. Pagal garso lygį veikiantis mikrofonas
3. Bluetooth® mygtukas
4. Kalbos ryšio mikrofonas
5. Režimo mygtukas
6. USB-C įkroviklio kabelio lizdas
7. Garsumo didinimo mygtukas
8. Garsumo mažinimo mygtukas
9. Įjungimo / išjungimo mygtukas
10. Gervinio mikrofono lizdas

Atitikties ir patvirtinimai

„Husqvarna AB“, „SE-561 82 Huskvarna, Sweden, tel: +46-36-146500“ pareiškia, kad „HP500BT-01“ ir „HP500BT-01“ tipo radijo ryšio įrenginys atitinka „2014/53/EU, 2011/65/EU“ ir reglamentą „(EU) 2016/425“. Taip pat atitinka reglamentą „2016/425“ dėl asmeninės apsaugos priemonių su pakeitimais, taikomais Didžiojoje Britanijoje. Visą ES atitikties deklaracijos ir JK atitikties deklaracijos tekstą galite rasti adresu www.husqvarna.com; ieškokite X-SYNC, HP500BT-01, HP500BT-02.

Gaminio garso slopinimo vertės ir triukšmo lygiai yra išbandyti ir patvirtinti remiantis: „EN 352-1:2020“ (su galvajuoste), „EN 352-3:2020“ (montuojamo ant šalmo), „EN 352-4:2020, EN 352-6:2020“ ir „EN 352-8:2020“.

Atitikties vertinime dalyvavusi notifikuotoji įstaiga: Notifikuotosios įstaigos numeris 1974. PZT GmbH, Bismarckstraße 264 B, 26389 Wilhelmshaven, Germany.

JK patvirtintosios įstaigos numeris 0321. SATRA Technology Centre, Wyndham Way, Telford Way, Kettering, Northamptonshire, NN16 8SD, UK.

Sertifikavimą ir stebėjimą vykdo PZT.

Modelis „HP500BT-01“ – tai apsauginės ausinės su galvajuoste, o modelis „HP500BT-02“ yra šalmui skirtos apsauginės ausinės. Gaminys apsaugo nuo kenksmingo triukšmo.

Akumuliatorius sertifikuotas remiantis IEC62133 2 leidimu.



UK Importer:
Husqvarna UK Ltd
Preston Road, Co. Durham
DL5 6UP

FCC ID: ZASHP500BT, IC ID: 23307-HP500BT

FCC teikėjų atitikties deklaracija, skirta už „HP500BT-01, HP500BT-02“ atsakingai šaliai.

Husqvarna Professional Products, Inc. 9335 Harris Corners Parkway Suite 500 Charlotte, NC 28269 United States.

JAV kontaktinė informacija: Michael Campbell, gaminių atitikties vadovas, tel. +1 704 597 5000.

FCC atitikties pareiškimas

Šis įrenginys atitinka FCC taisyklių 15 dalį. Naudojimui taikomos dvi sąlygos: (1) šis įrenginys negali kelti kenksmingų trikdžių ir (2) šis įrenginys turi priimti visus trikdžius, įskaitant trikdžius, dėl kurių gali sutrikti veikimas.

Pagal atliktus testus ši įranga atitinka B klasės skaitmeninio įrenginio apribojimus pagal FCC taisyklių 15 dalį. Šie apribojimai skirti suteikti tinkamą apsaugą nuo kenksmingų trikdžių gyvenamojoje aplinkoje. Ši įranga generuoja, naudoja ir skleidžia radijo dažnio

energiją, todėl, jei įrengta ir naudojama neatsižvelgiant į instrukcijas, ji gali skleisti kenksmingus trikdžius radijo ryšiu. Tačiau negalima garantuoti, kad konkrečioje aplinkoje šių trikdžių nebus. Jei ši įranga sukelia kenksmingus trikdžius gaunamam radijo arba televizijos signalui, kuriuos galima nustatyti išjungus įrangą, naudotojui rekomenduojama pamėginti pašalinti trikdžius toliau nurodomomis priemonėmis:

- Perkelkite įrangą toliau nuo antenos.
- Pagalbos kreipkitės į pardavėją.

Ant gaminio esantį ženklą galite rasti nuėmę sandarinimo žiedą ir akytos gumos įdėklą nuo dešinės ausinės.

Įrenginys turi siųstuvo modulį IC: 12246A-BM64S2

Šis įrenginys atitinka Kanados pramonės departamento (angl. Industry Canada) nelicencijuojamą RSS standartą (-us). Naudojimui taikomos dvi sąlygos: (1) Šis įrenginys negali kelti radijo bangų trikdžių; ir (2) šis įrenginys turi

priimti visus trikdžius, įskaitant trikdžius, dėl kurių gali sutrikti veikimas.

Pagal Kanados pramonės departamento reglamentus radijo siųstuvei gali naudoti tik Kanados pramonės departamento patvirtintus antenų tipus ir patvirtintą maksimalų stiprinimo koeficientą. Siekiant sumažinti radijo trikdžių tikimybę kitiems naudotojams, antenos tipas ir jos stiprinimo koeficientas turi būti parinkti taip, kad ekvivalentinės izotropinės spinduliuotės galia (e.i.r.p.) būtų ne didesnė, nei būtina sėkmingai komunikuoti.

Ant gaminio esantį ženklą galite rasti nuėmę sandarinimo žiedą ir akytos gumos įdėklą nuo dešinės ausinės.

Registruotieji prekiniai ženklai

Bluetooth® pavadinimas ir logotipai yra registruotieji prekės ženklai, priklausantys *Bluetooth SIG, inc.*, ir Husqvarna juos naudoja pagal licenciją.

Sauga

Saugos ženklų reikšmės

[spėjimai, perspėjimai ir pastabos yra skirtos atkreipti dėmesį į ypač svarbias vadovo dalis.



PERSPĖJIMAS: Naudojamas, kai naudotojui ar šalia esantiems asmenims kyla mirtino arba sunkaus sužeidimo pavojus arba, jei nesilaikoma vadove pateiktų nurodymų.



PASTABA: Naudojamas, kai kyla pavojus sugadinti gaminį, kitas medžiagas arba padaryti žalą aplinkai, jei nesilaikoma vadove pateiktų nurodymų.

Pasižymėkite: Naudojamas papildomai informacijai apie konkrečią situaciją pateikti.

Bendri saugumo reikalavimai



PERSPĖJIMAS: Prieš naudodami gaminį, perskaitykite toliau esančius įspėjimus.

- Naudokite šias instrukcijas ir išsaugokite ateičiai.
- Norėdami užtikrinti optimalų tinkamumą ir veikimą įsitikinkite, kad pasirinkote jums tinkantį gaminį.
- Nekeiskite ir nenuimkite gaminio dalių. Atlikite tik naudojimo instrukcijoje nurodytus pakeitimus.
- Gaminio triukšmo slopinimo savybės gali smarkiai pablogėti, jei nesivadovausite šioje naudojimo instrukcijoje pateiktais nurodymais. Naudojamos

apsauginės ausinės, o ypač jų pagalvėlės, dėvėti, todėl jas reikia reguliariai tikrinti, ar neatsirado pažeidimų ar įtrūkimų. Žr. *Techninė priežiūra psl. 115*.

- Šiam gaminui gali kenkti kai kurios cheminės medžiagos. Išsamesnę informaciją turi pateikti tokių medžiagų gamintojas. Venkite agresyvių medžiagų ir reguliariai valykite gaminį. Naudokite šluostę su vandeniu ir muilu. Neplaukite ir nepanardinkite vandenyje.
- Visi techninės priežiūros ir remonto darbai turi būti atliekami patvirtintose techninės priežiūros dirbtuvėse. Naudokite tik „Husqvarna“ originalias atsargines dalis.
- Niekada nenaudokite ausinių ilgiau nei 10 metų nuo pakuotėje nurodytos pagaminimo datos.
- Gaminio funkcionalumas gali pablogėti pagal akumuliatoriaus energijos sąnaudas.

Naudojimo saugos instrukcijos

- Dirbdamas triukšmingoje aplinkoje naudotojas visada turi dėvėti ausines.
- Naudodami gaminį būkite atsargūs ir klausykites, ar nėra įspėjamųjų signalų. Naudojant gaminį įspėjamųjų signalų keliamas triukšmas gali būti mažesnis.
- Įspėjamųjų signalų girdimumas tam tikrose darbo vietose gali būti sumažėjęs, kai naudojamas pramogų įrenginys.
- Pasirūpinkite, kad naudojant ir gabenant gaminys nebūtų sutrenktas.
- Gaminį naudokite tik aplinkoje, kurios temperatūra yra nuo -20°C iki $+55^{\circ}\text{C}$. Jei naudosite gaminį esant kitai temperatūrai, gali sugesti elektronika, akumuliatorius ir mechaninės dalys.

- Prieš naudodami gaminį įsitinkinkite, kad mokate juo naudotis. Jei gaminys pažeistas, kreipkitės į techninę priežiūrą atliekančią pardavėją. Neatidarykite korpuso!
- Uždėjus ant ausinių pagalvėlių higieninius uždangalus, gali pablogėti ausinių akustinės savybės. Būtinai naudokite originalias atsargines dalis.
- Nespauskite ausinių prie šalmo korpuso. Priešingu atveju aplink šalmo šoną gali atsirasti įtrūkių.

(Pav. 4)

- Nelaiykite gaminio aplinkoje, kurios temperatūra viršija +55 °C, pavyzdžiui, ant prietaisų skydo. Nelaiykite gaminio žemesnėje nei –20 °C temperatūroje.
- Dėvintysis asmuo turi užtikrinti, kad ausinės yra pritvirtintos, sureguliuotos ir prižiūrimos pagal šią naudojimo instrukciją.
- Ausinės pateikiamos su saugumui skirta garso įvestimi. Prieš naudodamas naudotojas privalo

patikrinti veikimą. Aptikus iškreipimų ar gedimų naudotojas turi kreiptis į gamintoją patarimo dėl priežiūros darbų.

Akumuliatorių naudojimo sauga

- Ausinėms būdingas slopinimas pagal garso lygį. Prieš naudojant būtina patikrinti veikimą. Aptikęs gedimą ar netinkamą veikimą, naudotojas turi vadovautis gamintojo nurodymais dėl priežiūros darbų.
- Gaminyje yra akumuliatorius ir elektrinės sudedamosios dalys, galinčios uždegti degią ar sprogia aplinką. Nenaudokite aplinkoje, kurioje kibirkštys gali sukelti gaisrą ar sprogimą.
- Gaminį įkraukite, kai aplinkos temperatūra yra nuo 0 °C iki +40 °C. Kraunant už šio temperatūros diapazono ribų, elektronika ir akumuliatorius gali būti sugadinti.

Surinkimas

Įvadas



PERSPĖJIMAS: Prieš surinkdami gaminį perkelkite plaukus į šoną. Prieš naudodami gaminį įsitinkinkite, kad sandarinimo žiedai tvirtai užsideda ant galvos ir aplink ausis.



PASTABA: Įsitinkinkite, kad kabelis nebūtų susuktas ir neturėtų mažo lenkimo spindulio. Įsitinkinkite, kad kabelį galima lengvai įkišti į šalme esančią angą.

Ausinių montavimas ant šalmo „H300“

1. Atsekite galvos dirželį nuo šalmo. (Pav. 10)
2. Pritvirtinkite kabelį prie angų tvirtinimo dirželiais arba spaustukais. (Pav. 11)
3. Jei kabelį tvirtinsite dirželiais, nupjaukite dirželį ir įstumkite jo fiksatorių į šoninį lizdą.
4. Padarykite kilpą iš kabelio ir pritvirtinkite galvos dirželį ir kaklo apsaugą. Įsitinkinkite, kad kabelis yra tarp korpuso ir galvos dirželio. (Pav. 12)

Ausinių montavimas ant šalmo „Spire Vent X“

1. Padarykite kilpą iš kabelio ir įdėkite į galinę dalį.
2. Pritvirtinkite kabelį prie galvos dirželio naudodami tvirtinimo dirželius. Pritvirtinkite tvirtinimo dirželį perkidami jį per galvajuostės užpakalinį dirželį.
3. Nupjaukite tvirtinimo dirželį.
4. Padarykite kilpą iš likusio kabelio ir perkelkite į galą, už galvajuostės užpakalinės dalies. (Pav. 13)

Ausinių perkėlimas į darbinę padėtį

1. Užsidėkite šalmą ant galvos.
2. Reguluokite ausines tol, kol jos gerai priglus prie ausų ir galvos. (Pav. 14)

Ausinių perkėlimas į parengties padėtį

- Lenkite ausines į viršų, kol jos užsifiksuos parengties padėtyje. (Pav. 15)

Ausinių su lankeliu užsidėjimas

1. Užsidėkite lankelį galvos viršuje.
2. Judinkite ausines aukštyn arba žemyn, norėdami sureguliuoti aukštį. (Pav. 5)

Ausinių montavimas ant šalmo

1. Pritvirtinkite tinkamo tipo adapterį prie šalmo korpuso. Žr. *Patvirtinti šalmai psl. 115*.
2. Pritvirtinkite šalmo šakutę prie adapterio. (Pav. 6)

Pasižymėkite: Žr. *Patvirtinti šalmai psl. 115* dėl papildomos informacijos apie jūsų šalmui tinkamus priedus.

3. Perkelkite ausines į žemiausią padėtį.
4. Lenkite ausines į viršų, kol jos užsifiksuos parengties padėtyje. (Pav. 7)
5. Pažymėkite kabelį.
 - a) Jei naudojate H300 šalimą, pažymėkite 27 cm / 11 col. (X) atstumą nuo kiekvienos ausinės.
 - b) Jei naudojate „Spire Vent X“ šalimą, pažymėkite 14,5 cm / 6 col. (X) atstumą nuo kiekvienos ausinės. (Pav. 8)
6. Įstatykite šalmo priedą į šalme esantį lizdą. (Pav. 9)
7. Pereikite prie patvirtinto šalmo surinkimo nurodymų.

Ausinių perkėlimas į stovėjimo padėtį

1. Perkelti ausines į parengties padėtį. Žr. *Ausinių perkėlimas į parengties padėtį psl. 112.*
2. Pasukite ausines atgal palei šalmo šoną, kol jos užsifiksuos parengties padėtyje. (Pav. 16)

Kaip prijungti gervinį mikrofoną

Gervinį mikrofoną naudokite triukšmingoje aplinkoje.

1. Pritvirtinkite prie gervinio mikrofono apsaugą nuo vėjo.
2. Prijunkite gervinį mikrofoną prie mikrofono lizdo, esančio dešinėje ausinėje. (Pav. 17)
3. Gervinis mikrofonas turi būti 1 cm / 0,4 col. (A) atstumu nuo burnos.

Naudojimas

Įvadas



PERSPĖJIMAS: Prieš naudodami gaminį perskaitykite ir supraskite saugos skyriaus informaciją.

Gaminio įkrovimas

1. Prijunkite įkrovimo kabelio USB-C jungtį prie kairiosios ausinės lizdo. (Pav. 18)
2. Prijunkite įkrovimo kabelio USB jungtį prie USB įkroviklio arba kito USB elektros lizdo.

Pasižymėkite: Kad būtų galima įkrauti maksimalia galia, elektros lizde turi būti 5 V srovė ir 2 A srovės stipris.

Pasižymėkite: Kai akumuliatorius įkraunamas, „Bluetooth®“ mygtuko LED indikatorius lėtai mirksės žaliai. Kai akumuliatorius bus visiškai įkrautas, „Bluetooth®“ mygtuko LED indikatorius pastoviai švies žaliai.

Gaminio paleidimas

- Paspauskite ir 1 sekundę palaikykite įjungimo / išjungimo mygtuką.

Pasižymėkite: Pyptelėjimas praneš, kad gaminys yra įjungtas. Garsiniu pranešimu bus nurodyta akumuliatoriaus būsena ir skaičius įrenginių, prijungtų naudojant „Bluetooth®“ be laidę technologiją.

Garsinis pranešimas
BATTERY HIGH
BATTERY MEDIUM
BATTERY LOW
BATTERY CRITICAL

Garsinis pranešimas	„Bluetooth®“ mygtuko LED indikatorius
ONE BLUETOOTH DEVICE CONNECTED	LED lemputė šviečia mėlynai.
TWO BLUETOOTH DEVICES CONNECTED	

Perjungimas iš FM radijo režimo į „Bluetooth®“ režimą ir atvirkščiai

- Greitai 2 kartus paspauskite režimo mygtuką, kad vietoje FM radijo režimo įjungtumėte „Bluetooth®“ režimą ir atvirkščiai.

Pasižymėkite: Garsiniu pranešimu bus nurodyta, kuris režimas pasirinktas. Žr. toliau pateiktą lentelę.

Garsinis pranešimas
RADIO
BLUETOOTH

FM radijo režimas

Kai įjungtas FM radijo režimas, galite naudotis radiju.

FM radijo stoties keitimas

- Kad pakeistumėte FM radijo stotį, paspauskite ir 1 sekundę palaikykite garsumo didinimo arba mažinimo mygtuką.

„Bluetooth®“ režimas

Kai įjungtas „Bluetooth®“ režimas, galite prijungti gaminį prie įrenginio naudodami „Bluetooth®“ be laidę technologiją.

Kaip atlikti „Bluetooth®“ susiejimo procedūrą

1. Paspauskite ir palaikykite Bluetooth® mygtuką 2 sekundes, kad pradėtumėte gaminio susiejimo procedūrą.

Pasižymėkite: Susiejimas prasidės, kai išgirsite pyptelėjimą, o „Bluetooth®“ mygtukas mirksės mėlynai. Susiejimo procedūra trunka 30 sekundžių.

- Įrenginyje įjunkite susiejimą per „Bluetooth®“ belaidę technologiją.
- Jei būtina, įrenginio ekrane iš galimų prietaisų sąrašo pasirinkite „Husqvarna X-COM Active“.

Pasižymėkite: Garsiniu pranešimu bus nurodyta gaminio būseną. Žr. toliau pateiktą lentelę.

Garsinis pranešimas	„Bluetooth®“ mygtuko LED indikatorius	Informacija
BLUETOOTH DEVICE CONNECTED	Pastoviai šviečia mėlynai.	Gaminys yra prijungtas prie įrenginio naudojant „Bluetooth®“ belaidę technologiją.
BLUETOOTH CONNECTION FAILED	2 sekundes šviečia raudonai.	Gaminys neprijungtas prie įrenginio naudojant „Bluetooth®“ belaidę technologiją.

Pasižymėkite: Prie jūsų gaminio prijungtas įrenginys su „Bluetooth®“ belaide technologija kitą kartą prie jūsų gaminio prisijungs automatiškai.

Kaip pakeisti garso transliaciją

- Paspauskite ir palaikykite garsumo didinimo mygtuką 0,5 sek., kad pasirinktumėte kitą garso transliaciją.
- Paspauskite ir palaikykite garsumo mažinimo mygtuką 0,5 sek., kad grįžtumėte į ankstesnę garso transliaciją.

Kaip sustabdyti arba pradėti garso transliaciją

- Paspauskite režimo mygtuką norėdami sustabdyti arba pradėti garso transliaciją.

Telefono skambučio priėmimas, užbaigimas arba atmetimas

Jei jūsų mobilusis įrenginys yra prijungtas prie gaminio su „Bluetooth®“ belaide technologija, esant gaunamajam skambučiui ausinėse pasigirs signalas.

- Paspauskite režimo mygtuką, kad priimtumėte arba užbaigtumėte telefono skambučių.
- Paspauskite ir palaikykite režimo mygtuką 1 sekundę, kad atstumtumėte gaunamąjį telefono skambučių.

Pasižymėkite: Pyptelėjimu bus pranešta apie telefono skambučio priėmimą arba atmetimą.

Garsinis pranešimas	Informacija
CALL ENDED	Telefono pokalbis baigtas.

Garsumo reguliavimas

- Norėdami reguliuoti garsumą, paspauskite garsumo didinimo arba mažinimo mygtuką. Pasiekus minimalų arba maksimalų garsumo lygį pasigirs pyptelėjimas.

Kaip nustatyti aplinkos garso režimą

Aplinkos garso režimas suteikia galimybę girdėti aplink jus esančius garsus.

- Paspauskite aplinkos garso mygtuką.

Pasižymėkite: Garsiniu pranešimu bus nurodyta aplinkos garso režimo būseną.

Garsinis pranešimas
AMBIENT LEVEL HIGH
AMBIENT LEVEL MEDIUM
AMBIENT LEVEL LOW
AMBIENT LEVEL OFF

Gaminio sustabdymas

- Paspauskite ir 1 sekundę palaikykite įjungimo / išjungimo mygtuką.

Pasižymėkite: Garsiniu pranešimu bus nurodyta akumuliatoriaus būseną, o LED indikatoriai užges. Pyptelėjimas praneša, kad gaminys yra išjungtas.

Priverstinis gaminio stabdymas

- Paspauskite ir palaikykite įjungimo / išjungimo mygtuką 12 sek.

Techninė priežiūra

Gaminio techninė priežiūra



PASTABA: Neplaukite ir visiškai nepanardinkite gaminio vandenyje.



PASTABA: Purškalai, skysčiai ir kiti valikliai su tirpikliais ir (arba) alkoholiu gali pabloginti apsaugines savybes.



PASTABA: Naudokite originalias „Husqvarna“ atsargines dalis.

1. Reguliariai valykite gaminį. Naudokite šluostę ir praskiestą muilo tirpalą.
2. Prieš kiekvieną naudojimą patikrinkite sandarinimo žiedų ir akytos gumos įdėklų būklę.
3. Sandarinimo žiedus ir akytosios gumos įdėklus keiskite kas 6 mėnesius arba dažniau, jei to reikia. Montavimo metu įsitikinkite, kad sandarinimo žiedo skylutė yra nukreipta žemyn. Naudokite originalų higieninį rinkinį su sandarinimo žiedais ir akytosios gumos įdėklais. Dėl papildomos informacijos apie higieninį rinkinį žr. www.husqvarna.com. (Pav. 19)

Pasižymėkite: Jei vidinė ausinių pusė yra drėgna, leiskite joms išdžiūti perkėle jas į stovėjimo padėtį. Žr. *Ausinių perkėlimas į stovėjimo padėtį psl. 113.*

4. Pakeiskite kalbos ryšio mikrofono membraną, jei ji pažeista.
5. Pakeiskite pagal garso lygį veikiančio mikrofono apsaugą nuo vėjo, jei ji pažeista.
6. Pakeiskite gervinio mikrofono apsaugą nuo vėjo, jei ji pažeista.
7. Jei reikia, pakeiskite galvajuostės „Comfort Pad“ pagalvėlę. (Pav. 20)

Transportavimas, saugojimas ir utilizavimas

Gabenimas ir laikymas



PASTABA: Gabendami ir sandėliuodami ausines perkelkite į darbinę padėtį, kad plastikinė medžiaga mažiau nusidėvėtų.

- Perkelkite ausines į darbinę padėtį. Žr. *Ausinių perkėlimas į darbinę padėtį psl. 112.*
- Pasirūpinkite, kad sandarinimo žiedai nebūtų suspausti.
- Laikykite gaminį sausoje, švarioje vietoje.
- Sandėliuojamą gaminį saugokite nuo saulės šviesos.
- Įkraukite akumuliatorių kas 6 savaites, kad išlaikytumėte gerą jo būklę.

- Gabendami gaminį, padėkite jį saugioje vietoje.

Šalinimas

- Laikykitės šalyje galiojančių nuostatų.
- Naudokite vietinę perdirbimo sistemą.
- Gaminys ar gaminio pakuotė nepriskiriami buitiniams atliekoms. Nuvežkite jį į elektros ir elektronikos įrenginių perdirbimo punktą.



Priedai

Patvirtinti šalmai

Įrenginį naudokite tik su toliau išvardytais šalmais.

Modelis	Šalmo priedo tipas	Adapterio vaizdas	Patvirtinti išmatavimai
Husqvarna Technical, H300	Adapteris „H300“	(Pav. 21)	M/L
Husqvarna Spire	Adapteris „Spire“	(Pav. 22)	L
KASK Zenith X			

Techniniai duomenys

Techniniai duomenys

Kiekvieno gaminio techninių duomenų ieškokite toliau pateikiamose iliustracijose. Daugiau techninių duomenų

rasite šios naudojimo instrukcijos techninių duomenų priede.

(Pav. 2)

(Pav. 3)

Daugiau informacijos apie techninių duomenų turinį ieškokite toliau pateiktame sąraše:

- F = dažniai, kuriuos nustačius matuojamas slopinimas.
- Mf = vidutinė vertė.
- Sf = standartinis nuokrypis.
- APV (Mf-Sf) = numanoma apsaugos vertė.
- H = aukštų dažnių slopinimo vertė (numatomas triukšmo lygio sumažinimas, kai $L_C-L_A = -2$ dB).
- M = vidutinių dažnių slopinimo vertė (numatomas triukšmo lygio sumažinimas, kai $L_C-L_A = +2$ dB). L = Žemų dažnių slopinimo vertė (numatomas triukšmo lygio sumažinimas, kai $L_C-L_A = +10$ dB).

- SNR = vieno skaičiaus vertinimas (vertė, kuri atimama iš išmatuoto C svertinio garso slėgio lygio – L_C , siekiant apskaičiuoti faktinį A svertinio garso lygį ausyje).

Atsakingas gamintojas: Husqvarna AB, SE-561 82 Huskvarna, Švedija, tel. +46-36-146500.

Garso lygis

FM radijo ir ausinių režimų maksimalus ekvivalentinis garso lygis yra 82 dB (A).

Medžiagos

Dalis	Medžiaga	Dalis	Medžiaga
Vidinis ausies kaušelis	ABS	Lankelis ant galvos	POM+TPE
Išorinis ausies kaušelis, kairės pusės	ABS	Šalmo šakutė	PA66GF30
Išorinis ausies kaušelis, dešinės pusės	ABS+TPE	Šalmo šakutės spyruoklė	Plieno
[dėklai	VIO	Varžtai	Plieno
Sandarinimo žiedai	ABS+TPE		

Saturs

Ievads.....	117	Pārvadāšana, glabāšana un utilizēšana.....	122
Drošība.....	118	Piederumi.....	122
Montāža.....	119	Tehniskie dati.....	123
Lietošana.....	120	Pielikums	229
Apkope.....	122		

Ievads

Izstrādājuma apraksts

Izstrādājums X-SYNC (HP500BT-01, HP500BT-02) ir dzirdes aizsarglīdzeklis ar iebūvētu pilnduplekso sakaru funkciju, *Bluetooth® bezvadu tehnoloģiju*

Izstrādājuma pārskats

(Att. 1)

1. Apkārtējās skaņas poga
2. No līmeņa atkarīgais mikrofons
3. Poga Bluetooth®
4. Runas mikrofons
5. Režīma poga
6. USB-C lādētāja kabeļa izvads
7. Skaļuma palielināšanas poga
8. Skaļuma samazināšanas poga
9. Ieslēgšanas/izslēgšanas poga
10. Stieņa mikrofona izvads

Atbilstība un apstiprinājumi

Ar šo Husqvarna AB, SE-561 82 Huskvarna, Sweden, tel: +46-36-146500 paziņo, ka radio aprīkojuma tips HP500BT-01 un HP500BT-01 atbilst 2014/53/EU, 2011/65/EU un regulai (EU) 2016/425. Regula 2016/425 par individuālajiem aizsarglīdzekļiem, pielāgota, lai nodrošinātu atbilstību Lielbritānijā. ES un AK atbilstības deklarācijas pilns teksts ir pieejams šajā interneta vietnē: www.husqvarna.com; meklēt X-SYNC, HP500BT-01, HP500BT-02.

Izstrādājuma trokšņu vērtināšanas vērtības un trokšņa līmeņi ir pārbaudīti un apstiprināti atbilstoši tālāk norādītajiem standartiem. EN 352-1:2020 (galvas saite), EN 352-3:2020 (ķiveri uzstādāmais variants), EN 352-4:2020, EN 352-6:2020 un EN 352-8:2020.

Pilnvarotā iestāde, kas iesaistīta atbilstības novērtējumā: Pilnvarotās iestādes numurs 1974. PZT GmbH, Bismarckstraße 264 B, 26389 Wilhelmshaven, Germany.

Apstiprinātās iestādes AK numurs 0321. SATRA Technology Centre, Wyndham Way, Telford Way, Kettering, Northamptonshire, NN16 8SD, UK.

Sertifikācija un uzraudzība, PZT.

un FM radio. Modelis HP500BT-01 ir dzirdes aizsarglīdzeklis ar galvas saiti, un modelis HP500BT-02 ir dzirdes aizsarglīdzeklis ķiveri. Izstrādājums nodrošina aizsardzību pret kaifīgiem trokšņiem.

Akumulators ir sertificēts atbilstoši IEC62133 2. izdevumam.



UK Importer:
Husqvarna UK Ltd
Preston Road, Co. Durham
DL15 6UP

FCC ID: ZASHP500BT, IC ID: 23307-HP500BT

FCC piegādātāju sniegtā atbilstības deklarācija HP500BT-01, HP500BT-02 atbildīgajai personai.

Husqvarna Professional Products, Inc. 9335 Harris Corners Parkway Suite 500 Charlotte, NC 28269 United states.

Kontaktinformācija ASV: Maikls Kembels (Michael Campbell), produktu atbilstības daļas vadītājs, tālrunis: +1 704 597 5000.

FCC atbilstības paziņojums:

Šī ierīce atbilst FCC noteikumu 15. daļā norādītajām prasībām. Uz darbību attiecas divi šādi nosacījumi: (1) Šī ierīce nedrīkst radīt traucējumus; un (2) šai ierīcei ir jāpieņem saņemtie traucējumi, tostarp traucējumi, kas var izraisīt nevēlamu ierīces darbību.

Šis aprīkojums ir pārbaudīts, un ir atzīta tā atbilstība B klases digitālās ierīces ierobežojumiem atbilstoši Federālās Sakaru komisijas (Federal Communications Commission — FCC) noteikumu 15. daļai. Šie

ierobežojumi ir izstrādāti, lai nodrošinātu saprātīgu aizsardzību pret kaitīgiem traucējumiem no ietaisēm apdzīvotās vietās. Šis aprīkojums ģenerē, izmanto un var izstarot radiofrekvenču enerģiju. Ja aprīkojums nav uzstādīts un netiek lietots atbilstoši norādījumiem, tas var radīt kaitīgus radiosakaru traucējumus. Tomēr nevar garantēt, ka konkrēta ietaise neradīs traucējumus. Ja šis aprīkojums rada kaitīgus radio vai televīzijas uztveršanas traucējumus, ko var noteikt, izslēdzot un ieslēdzot aprīkojumu, lietotājam ir ieteicams labot traucējumus, īstenojot vienu vai vairākus tālāk aprakstītos pasākumus.

- Palieliniet attālumu starp aprīkojumu un uztvērēju.
- Lai saņemtu palīdzību, sazinieties ar izplatītāju.

Markējumu uz izstrādājuma var atrast, ņemot blīvgredzenu un putu gumijas ieliktni uz labās ausiņas.

Satur raidītāja moduli IC: 12246A-BM64S2

Šī ierīce atbilst Industry Canada licences atbrīvojuuma RSS standarta(iem). Uz darbību attiecas divi tālāk

norādītie nosacījumi. (1) Šī ierīce nedrīkst radīt traucējumus; un (2) šai ierīcei ir jāiztur jebkādi traucējumi, tostarp traucējumi, kas var izraisīt nevēlamu ierīces darbību.

Atbilstoši Industry Canada noteikumiem šis radioraidītājs var darboties, tikai izmantojot antenu, kuras tips un maksimālais (vai mazāks) pastiprinājums ir Industry Canada apstiprināts raidītājam. Lai samazinātu potenciālos radio traucējumus citiem lietotājiem, antenas tips un tās pastiprinājums ir jāizvēlas tā, lai ekvivalenta ekvivalentā izotropiski izstarotā jauda (e.i.r.p.) nepārsniegtu to, kas ir nepieciešama sekmīgai saziņai.

Markējumu uz izstrādājuma var atrast, ņemot blīvgredzenu un putu gumijas ieliktni uz labās ausiņas.

Reģistrētās preču zīmes

Bluetooth® preču zīme un logotipi ir *Bluetooth SIG, inc.* reģistrētās preču zīmes, un Husqvarna tās izmanto atbilstoši licencei.

Drošība

Drošības definīcijas

Brīdinājumi, norādes "Uzmanību!" un piezīmes tiek izmantotas, lai izceltu īpaši svarīgas lietotāja rokasgrāmatas daļas.



BRĪDINĀJUMS: Tiek izmantota tad, ja rokasgrāmatā sniegto instrukciju neievērošanas dēļ operatoram vai blakus esošajām personām draud traumu vai nāves risks.



IEVĒROJIET: Tiek izmantota tad, ja rokasgrāmatā sniegto instrukciju neievērošanas dēļ rodas izstrādājuma, citu materiālu vai blakus esošās teritorijas bojājuma risks.

Piezīme: Tiek izmantota, lai sniegtu plašāku informāciju, kas nepieciešama attiecīgajā situācijā.

Vispārīga drošība



BRĪDINĀJUMS: Pirms izstrādājuma lietošanas izlasiet tālāk izklāstītos brīdinājumus.

- Izmantojiet un saglabājiet šos norādījumus.
- Lai nodrošinātu optimālu piemērotību un darbību, noteikti atlasiet pareizo izstrādājumu jūsu izmantošanas mērķim.

- Nemainiet un neņemiet izstrādājuma daļas. Veiciet tikai tādas izmaiņas, kas norādītas lietotāja rokasgrāmatā.
- Izstrādājuma trokšņa vājināšana var ievērojami pasliktināties, ja neievērosit norādījumus šajā lietotāja rokasgrāmatā. Ausiņas un it īpaši to spilventiņi var nolietoties, tādēļ ir regulāri jāpārbauda, vai tām nav radušās kādas plaisas vai bojājumi. Skatiet šeit: *Apkope lpp. 122*.
- Šo izstrādājumu var nelabvēlīgi ietekmēt noteiktu ķīmisko vielu iedarbība. Par sīkāku informāciju jautājiet ražotājam. Nepieļaujiet saskari ar agresīvām vielām un regulāri tīriet izstrādājumu. Izmantojiet drānu ar ūdeni un ziepēm. Nemazgājiet un neievietojiet pilnībā ūdenī.
- Visi apkopes un remontdarbi ir jāveic pilnvarotai apkopes darbnīcai. Izmantojiet tikai Husqvarna oriģinālās rezerves daļas.
- Nekad nelietojiet ausiņas ilgāk par 10 gadiem no ražošanas datuma, kas norādīts uz iepakojuma.
- Noliecoties akumulatoram, izstrādājuma darbības kvalitāte var pasliktināties.

Darba drošības norādījumi

- Lietotājam jānodrošina, lai trokšņainā vidē vienmēr tiktu lietotas ausiņas.
- Kad izmantojat izstrādājumu, esiet uzmanīgs un klausieties, vai neatskan brīdinājumu signāli. Izmantojot izstrādājumu, brīdinājumu signālu trokšnis var samazināties.
- Brīdinājumu signālu dzirdamība konkrētā darbavietā var tikt traucēta, kamēr tiek izmantota izklaides iespēja.
- Nodrošiniet, lai izstrādājums transportēšanas un lietošanas laikā netiktu pakļauts triecieniem.

- Izmantojiet izstrādājumu tikai temperatūrā no -20 °C līdz +55 °C. Ja izstrādājumu izmantojat citā temperatūrā, tas var izraisīt elektroniskas, akumulatora un mehānisko daļu bojājumus.
- Pārlicinieties, vai zināt, kā izstrādājumu lietot, pirms to lietojat. Ja novērojāt izstrādājuma bojājumus, sazinieties ar apkopes sniedzēju. Nekādā gadījumā neatveriet korpusu.
- Higiēnisko pārsegu uzstādīšana uz austiņu ieliktniem var ietekmēt austiņu akustiskās īpašības. Vienmēr izmantojiet oriģinālos piederumus.
- Nespiediet austiņas pret ķiveres apvalku. Pretējā gadījumā ķiveres sānos var rasties plaisas.

(Att. 4)

- Neuzglabājiet izstrādājumu temperatūrā, kas pārsniedz +55 °C, piemēram, uz automašīnas paneļa. Neuzglabājiet izstrādājumu temperatūrā, kas ir zemāka par -20 °C.
- Austiņām ir jābūt atbilstošā izmērā, un tās ir jāpielāgo un jātīra saskaņā ar lietotāja rokasgrāmatu.
- Drošības iemeslu dēļ austiņas ir aprīkotas ar audio ieeju. Pirms lietošanas valkātājam jāpārlicinās par

pareizu darbību. Ja tiek konstatēta kropļošana vai kļūme, lietotājam jāskata ražotāja ieteikumi par apkopi.

Akumulatora drošība

- Austiņas ir aprīkotas ar no līmeņa atkarīgu slāpēšanas funkciju. Pirms lietošanas valkātājam jāpārlicinās par pareizu darbību. Ja tiek konstatēts defekts vai kļūme, lietotājam jāskata ražotāja sniegtie apkopes norādījumi.
- Produkts sastāv no akumulatora un elektriskajiem komponentiem, kas var izraisīt aizdegšanos viegli uzliesmojošā vai sprādzienbīstamā vidē. Neizmantojiet tādā vidē, kurā dzirksteles var izraisīt materiāla aizdegšanos vai eksploziju.
- Izstrādājuma uzlādi veiciet tikai temperatūrā no 0 °C līdz +40 °C. Veicot uzlādi ārpus šī temperatūras diapazona, var tikt bojāta elektronika un akumulators.

Montāža

Ievads



BRĪDINĀJUMS: Pirms montējat izstrādājumu, pārvietojiet matus uz sāniem. Pārlicinieties, vai bīvgredzeni cieši pieguļ galvai un ap ausīm, pirms ekspluatējat izstrādājumu

Austiņu uzlikšana ar galvas lentu

1. Pārliciet galvas lentu sev pār galvu.
2. Virziet austiņas uz augšu vai leju, noregulējot augstumu. (Att. 5)

Austiņu montāža pie ķiveres

1. Ķiveres korpusam piestipriniet pareizā veida adaptera pierīci. Skatiet šeit: *Apstiprinātās ķiveres lpp. 122.*
2. Piestipriniet ķiveres dakšu adaptera pierīcei. (Att. 6)

Piezīme: Skatiet šeit: *Apstiprinātās ķiveres lpp. 122* papildinformāciju par to, kura ķiveres pierīce attiecas uz jūsu ķiveri.

3. Noregulējiet austiņas zemākajā pozīcijā.
4. Celiet austiņas uz āru un augšu, līdz tās tiek nofikasētas gaidstāves pozīcijā. (Att. 7)
5. Veiciet atzīmi uz kabeļa.
 - a) Ķiveri H300 veiciet atzīmi 27 cm / 11 collas (X) no katras austiņas.

b) Ķiveri Spire Vent X veiciet atzīmi 14,5 cm / 6 collas (Y) no katras austiņas. (Att. 8)

6. Ievietojiet ķiveres pierīci ķiveres atverē. (Att. 9)
7. Pārejiet pie montāžas instrukcijām jūsu apstiprinātajai ķiveri.



IEVĒROJIET: Pārlicinieties, vai kabelis nav savijies un vai tam nav mazs izliekuma rādīsluss. Pārlicinieties, vai kabelis var brīvi pārvietoties ķiveres atverē.

Austiņu montāža pie ķiveres H300

1. Atbrīvojiet galvas stiprinājumu no ķiveres. (Att. 10)
2. Piestipriniet kabeli atverēm, izmantojot kabeļu saites vai skavas. (Att. 11)
3. Ja piestiprināt kabeli ar saitēm, nogrieziet kabeļa saiti un ievietojiet saites fiksatoru sānu padziļinājumā.
4. Izveidojiet kabeļa cilpu un piestipriniet galvas stiprinājumu un kakla aizsargu. Pārlicinieties, vai kabelis ir starp ķiveres apvalku un galvas stiprinājumu. (Att. 12)

Austiņu montāža pie ķiveres Spire Vent X

1. Ievietojiet kabeli cilpā, kas vērsta atpakaļ.
2. Piestipriniet kabeli galvas stiprinājumam, izmantojot kabeļu saites. Piestipriniet kabeļa auklu caur stiprinājuma ap galvu aizmugures siksnu.
3. Nogrieziet kabeļu auklu.

4. No atlikušās kabeļa daļas izveidojiet uz aizmuguri vērstu cilpu (aiz aizmugurējās galvas saites). (Att. 13)

Austiņu novietošana ekspluatācijas pozīcijā

1. Uzlieciet ķiveri galvā.
2. Regulējiet austiņas, līdz tās cieši pieguļ ap ausīm un galvai. (Att. 14)

Austiņu novietošana uzgaides pozīcijā

- Celiet austiņas uz āru un augšu, līdz tās tiek nofiksētas gaidstāves pozīcijā. (Att. 15)

Austiņu novietošana novietošanas pozīcijā

1. Novietojiet austiņas gaidstāves pozīcijā. Skatiet šeit: *Austiņu novietošana uzgaides pozīcijā lpp. 120.*

2. Grieziet austiņas uz aizmuguri gar ķiveres sāniem, līdz tās tiek nofiksētas novietošanas pozīcijā. (Att. 16)

Stieņa mikroфона pievienošana

Izmantojiet stieņa mikrofonu vidē, kur ir liels troksnis.

1. Stieņa mikrofonam piestipriniet vēja filtru.
2. Savienojiet stieņa mikrofonu ar mikroфона izeju uz labās austiņas. (Att. 17)
3. Novietojiet stieņa mikrofonu 1 cm / 0,4 collu (A) attālumā no mutes.

Lietošana

Ievads



BRĪDINĀJUMS: Pirms sākat darbu ar produktu, izlasiet nodaļu par drošību un pārliecinieties, vai saprotat to.

Produkta lādēšana

1. Savienojiet lādētāja kabeļa USB-C savienotāju ar izvadu uz kreisās austiņas. (Att. 18)
2. Savienojiet lādētāja kabeļa USB savienotāju ar USB lādētāju vai citu USB strāvas avotu.

Piezīme: Lai panāktu maksimālu uzlādes efektivitāti, strāvas izvada parametriem jābūt 5 V un 2 A.

Piezīme: Akumulatora uzlādes laikā gaismas diodes indikators uz pogas Bluetooth® lēni mirgo zaļā krāsā. Kad akumulators ir pilnībā uzlādēts, gaismas diodes indikators uz pogas Bluetooth® nepārtraukti deg zaļā krāsā.

Izstrādājuma ieslēgšana

- Nospiediet un 1 sekundi turiet nospiestu ieslēgšanas/izslēgšanas pogu.

Piezīme: Pīkstiens norāda, ka izstrādājums ir ieslēgts. Audio ziņojums norāda akumulatora statusu un ierīču, kas pievienotas, izmantojot Bluetooth® bezvadu tehnoloģiju, skaitu.

Audio ziņojums
BATTERY LOW
BATTERY CRITICAL

Audio ziņojums	Gaismas diodes indikators uz pogas Bluetooth®
ONE BLUETOOTH DEVICE CONNECTED	Gaismas diode ir zila.
TWO BLUETOOTH DEVICES CONNECTED	

Pārslēgšanas starp FM radio režīmu un Bluetooth® režīmu

- Lai pārslēgtos starp FM radio režīmu un Bluetooth® režīmu, 2 reizes ātri nospiediet režīma pogu.

Piezīme: Audio ziņojums norāda, kurš režīms ir atlasīts. Skatiet tālāk sniegto tabulu.

Audio ziņojums
RADIO
BLUETOOTH

FM radio režīms

FM radio režīms sniedz iespēju iegūt piekļuvi FM radio.

FM radiostacijas maiņa

- Nospiediet un 1 sekundi turiet nospiestu skaļuma palielināšanas vai samazināšanas pogu, lai mainītu FM radio staciju.

Audio ziņojums
BATTERY HIGH
BATTERY MEDIUM

Režīms Bluetooth®

Bluetooth® režīmā izstrādājumu var savienot ar ierīci, izmantojot Bluetooth® bezvadu tehnoloģiju.

Bluetooth® savienošana pārī

1. Nospiediet un turiet nospiešanu pogu Bluetooth® 2 sekundes, lai aktivizētu izstrādājuma savienošanas pārī funkciju.

Piezīme: Pārī savienošana sākas, kad atskan pikstiens un poga Bluetooth® lēni mirgo zilā krāsā. Savienošanas pārī režīms ir aktīvs 30 sekundes.

2. Ierīcē startējiet Bluetooth® bezvadu tehnoloģijas savienošanu pārī.
3. Ja nepieciešams, ierīcē sarakstā atlasiet Husqvarna X-COM Active.

Piezīme: Audio ziņojums norāda izstrādājuma statusu. Skatiet tālāk sniegto tabulu.

Audio ziņojums	Gaismas diodes indikators uz pogas Bluetooth®	Informācija
BLUETOOTH DEVICE CONNECTED	Nepārtraukti deg zilā krāsā.	Izstrādājums ir savienots ar ierīci, izmantojot Bluetooth® bezvadu tehnoloģiju.
BLUETOOTH CONNECTION FAILED	2 sekundes nepārtraukti deg sarkanā krāsā.	Izstrādājums nav savienots ar ierīci, izmantojot Bluetooth® bezvadu tehnoloģiju.

Piezīme: Ierīce ar Bluetooth® bezvadu tehnoloģiju, kas savienota ar izstrādājumu, automātiski savienojas ar izstrādājumu, kad izstrādājums tiek nākamreiz lietots kopā ar ierīci.

Audio straumēšanas mainīšana

- Nospiediet un 0,5 sekundes turiet nospiešanu skaļuma palielināšanas pogu, lai atlasītu nākamo audio straumēšanas avotu.
- Nospiediet un 0,5 sekundes turiet nospiešanu skaļuma samazināšanas pogu, lai atlasītu iepriekšējo audio straumēšanas avotu.

Audio straumēšanas apturēšana un sākšana

- Lai apturētu vai sāktu audio straumēšanu, nospiediet režīma pogu.

Tālruņa zvana pieņemšana, beigšana vai noraidīšana

Ja jūsu mobilā ierīce ir savienota ar izstrādājumu, izmantojot Bluetooth® bezvadu tehnoloģiju, ienākoša tālruņa zvana gadījumā austiņās atskan signāls.

- Lai pieņemtu vai beigtu tālruņa zvānu, nospiediet režīma pogu.
- 1 sekundi turiet nospiešanu režīma pogu, lai noraidītu ienākošo tālruņa zvānu.

Piezīme: Pikstiens norāda, ka tālruņa zvans ir apstiprināts vai noraidīts.

Audio ziņojums	Informācija
CALL ENDED	Tālruņa zvans ir izbeigts.

Skaļuma regulēšana

- Nospiediet skaļuma palielināšanas vai samazināšanas pogu, lai regulētu skaļumu. Pikstiens norāda, ka ir sasniegts minimālais vai maksimālais skaļums.

Apkārtējās skaņas režīma iestatīšana

Apkārtējās skaņas režīmā ir dzirdamas apkārt esošās skaņas.

- Nospiediet apkārtējās skaņas režīmu.

Piezīme: Audio ziņojums norāda apkārtējās skaņas režīma statusu.

Audio ziņojums
AMBIENT LEVEL HIGH
AMBIENT LEVEL MEDIUM
AMBIENT LEVEL LOW
AMBIENT LEVEL OFF

Izstrādājuma apturēšana

- Nospiediet un 1 sekundi turiet nospiešanu ieslēgšanas/izslēgšanas pogu.

Piezīme: Audio ziņojums norāda akumulatora statusu, un gaismas diožu indikatori nodziest. Pikstiens norāda, ka izstrādājums ir izslēgts.

Izstrādājuma apstādīnāšana piespiedu kārtā

- Nospiediet un 12 sekundes turiet nospiešanu ieslēgšanas/izslēgšanas pogu.

Apkope

Izstrādājuma kopšana



IEVĒROJIET: Neskalojiet un neievietojiet izstrādājumu pilnībā ūdenī.



IEVĒROJIET: Aerosoli, šķidrumi vai citi tīrīšanas līdzekļi, kas satur šķīdinātājus un/vai spirtu, var samazināt aizsargspējas.



IEVĒROJIET: Izmantojiet Husqvarna oriģinālās rezerves daļas.

1. Regulāri tīriet izstrādājumu. Lietojiet drānu un vājas koncentrācijas ziepjūdeni.
2. Veiciet blīvredzenu stāvokļa un putu gumijas ieliktņu pārbaudi pirms katras lietošanas reizes.

3. Nomainiet blīvredzenus un putu gumijas ieliktņus reizi 6 mēnešos vai biežāk, ja nepieciešams. Pārliecinieties, vai montāžas laikā blīvredzēna gaisa atvere ir vērsta leju. Izmantojiet oriģinālo higiēnas komplektu, kurā iekļauti blīvredzeni un putu gumijas ieliktņi. Papildinformāciju par higiēnas komplektu skatiet šeit: www.husqvarna.com. (Att. 19)

Piezīme: Ja austiņas iekšpusē ir mitras, ļaujiet tām nožūt novietošanas pozīcijā. Skatiet šeit: *Austiņu novietošana novietošanas pozīcijā lpp. 120.*

4. Ja runas mikroфона membrāna ir bojāta, nomainiet to.
5. Ja no līmeņa atkarīgā mikroфона vēja filtrs ir bojāts, nomainiet to.
6. Ja stieņa mikroфона vēja filtrs ir bojāts, nomainiet to.
7. Ja nepieciešams, nomainiet galvas saites paliktni Comfort Pad. (Att. 20)

Pārvadāšana, glabāšana un utilizēšana

Pārvadāšana un uzglabāšana



IEVĒROJIET: Pārvadāšanas un uzglabāšanas laikā novietojiet austiņas darba pozīcijā, lai samazinātu plastmasas daļu nodilumu.

- Novietojiet austiņas ekspluatācijas pozīcijā. Skatiet šeit: *Austiņu novietošana ekspluatācijas pozīcijā lpp. 120.*
- Pārliecinieties, vai blīvredzeni nav saspiesti.
- Novietojiet izstrādājumu sausā un tīrā vietā.
- Uzglabāšanas laikā sargiet izstrādājumu no saules gaismas.
- Uzlādējiet akumulatoru ik pēc 6 nedēļām, lai uzturētu akumulatora kvalitāti.

- Transportēšanas laikā novietojiet izstrādājumu drošā vietā.

Utilizācija

- Ievērojiet savas valsts normatīvus.
- Izmantojiet vietējo pārstrādes sistēmu.
- Izstrādājums vai iepakojums nav sadzīves atkritumi. Utilizējiet to elektrisko un elektronisko ierīču pārstrādes uzņēmumā.



Piederumi

Apstiprinātās ķiveres

Izmantojiet izstrādājumu tikai ar tālāk norādītajām ķiverēm.

Modelis	Ķiveres pierces tips	Adaptēra diagramma	Apstiprinātie izmēri
Husqvarna Technical, H300	Adapteris H300	(Att. 21)	M/L

Modelis	Ķiveres pierīces tips	Adaptēra diagramma	Apstiprinātie izmēri
Husqvarna Spire	Adapteris Spire	(Att. 22)	L
KASK Zenith X			

Tehniskie dati

Tehniskie dati

skatiet šīs lietotāja rokasgrāmatas tehnisko datu pielikumā.

Katra izstrādājuma tehniskos datus skatiet tālāk sniegtajās instrukcijās. Papildu tehnisko informāciju

(Att. 2)

(Att. 3)

Papildinformāciju par tehnisko datu saturu skatiet šajā sarakstā:

- F = frekvences, kādās tiek mērīts trokšņa samazinājums.
- Mf = vidējā vērtība.
- Sf = standartnovirze.
- APV (Mf-Sf) = pieņemtā aizsardzības vērtība.
- H = augstas frekvences trokšņa vājinājuma vērtība (prognozētais trokšņa līmeņa samazinājums troksnim, kur $L_C - L_A = -2$ dB). M = vidējas frekvences trokšņa vājinājuma vērtība (prognozētais trokšņa līmeņa samazinājums troksnim, kur $L_C - L_A = +2$ dB). L = zemas frekvences trokšņa vājinājuma vērtība (prognozētais trokšņa līmeņa samazinājums troksnim, kur $L_C - L_A = +10$ dB).

- SNR = atsevišķa skaitļa vērtējums (vērtība, kas tiek atņemta no izmērītā C svērtā skaņas spiediena līmeņa, L_C , lai aprēķinātu efektīvo A svērtu skaņas līmeni auss iekšpusē).

Atbildīgais ražotājs: Husqvarna AB,
SE-561 82 Huskvarna, Zviedrija, tālr. nr.:
+46-36-146500.

Skaņas līmenis

FM radio režīma un austiņu režīma maksimālais ekvivalents nepārtrauktais skaņas spiediena līmenis ir 82 dB (A).

Materiāli

Daļa	Materiāls	Daļa	Materiāls
Iekšējais austiņu kauss	ABS	Galvas lenta	POM+TPE
Ārējais austiņu kauss, kreisais	ABS	Ķiveres dakša	PA66GF30
Ārējais austiņu kauss, labais	ABS+TPE	Ķiveres dakšas atspere	Tērauda
Ieliktni	VIOLETA	Skrūves	Tērauda
Blīvgredzeni	ABS+TPE		

Содржина

Вовед.....	124	Транспорт, чување и фрлање.....	130
Безбедност.....	125	Додатоци.....	130
Склопување.....	126	Технички податоци.....	130
Работа.....	127	Додаток.....	229
Одржување.....	129		

Вовед

Опис на производот

Овој производ X-SYNC (HP500BT-01, HP500BT-02) претставува заштитник за уши со интегрирана и целосно двострана комуникација, *Bluetooth®*

Преглед на производот

(Слика 1)

1. Копче за амбиентален звук
2. Микрофон што е зависен од нивото
3. Копче Bluetooth®
4. Микрофон за говор
5. Копче за режим
6. Приклучок за кабел за полнење преку USB-C
7. Копче за зголемување на јачината на звукот
8. Копче за намалување на јачината на звукот
9. Копче за вклучување/исклучување
10. Приклучок за телескопски микрофон

Усогласеност и одобрувања

Со овој документ, Husqvarna AB, SE-561 82 Huskvarna, Sweden, tel: +46-36-146500 изјавува дека видот на радиоопрема HP500BT-01 и HP500BT-01 е во согласност со 2014/53/EU, 2011/65/EU и регулативата (EU) 2016/425. Регулативата 2016/425 заштитна опрема, изменета за примена во Велика Британија. Целосниот текст на декларацијата за усогласеност на ЕУ и декларацијата за усогласеност на ОК е достапен на следната интернет-адреса: www.husqvarna.com; пребарајте X-SYNC, HP500BT-01, HP500BT-02.

Вредностите за придрушување на звукот и нивоата на бучава на производот се тестирани и одобрени во согласност со: EN 352-1:2020 (лента за на глава), EN 352-3:2020 (прицврстени на шлем), EN 352-4:2020, EN 352-6:2020 и EN 352-8:2020.

Овластеното тело што е вклучено во оценувањето на усогласеноста е: Број на овластено тело 1974. PZT GmbH, Bismarckstraße 264 B, 26389 Wilhelmshaven, Germany.

Број на овластено тело во ОК 0321. SATRA Technology Centre, Wyndham Way, Telford Way, Kettering, Northamptonshire, NN16 8SD, UK.

Сертификат и надгледување од страна на PZT.

безжична технологија и FM-радио. Моделот HP500BT-01 е заштитник за уши со лента за на глава, а моделот HP500BT-02 е заштитник за уши за шлем. Производот штити од штетна бучава.

Батеријата е сертифицирана според IEC62133, издание 2.



UK Importer:
Husqvarna UK Ltd
Preston Road, Co. Durham
DL5 6UP

ID-број на FCC: ZASHP500BT, ID-број на IC: 23307-HP500BT

Декларација за усогласеност за снабдувачи на FCC за HP500BT-01, HP500BT-02 одговорното лице.

Husqvarna Professional Products, Inc. 9335 Harris Corners Parkway Suite 500 Charlotte, NC 28269 United states.

Информации за контакт во САД: Michael Campbell, управник за усогласеност на производи, телефон: +1 704 597 5000.

Изјава за усогласеност на FCC:

Овој уред е усогласен со Дел 15 од Правилата на FCC. Работата е предмет на следниве два услови: (1) Овој уред не смее да предизвика штетни интерференции и (2) овој уред мора да ја прифати секоја интерференција што ја прима, вклучувајќи ја и интерференцијата што може да предизвика несакана работа на уредот.

Оваа опрема е тестирана и е утврдено дека ги исполнува ограничувањата за дигитални уреди од

Класа Б според дел 15 од Правилата на FCC. Овие ограничувања се дизајнирани за да обезбедат разумна заштита од штетна интерференција во резидентни услови. Оваа опрема создава, користи и може да емитува радиофреквентна енергија и, ако не е монтиран и ако не се користи според упатствата, може да предизвика штетна интерференција на радиокомуникациите. Сепак, нема гаранција дека интерференцијата нема да се случи во одредено монтирање. Ако оваа опрема предизвика штетна интерференција на радио или телевизиски прием, што може да се утврди со исклучување и вклучување на опремата, корисникот треба да се обиде да ја поправи интерференцијата со една или повеќе од следниве мерки:

- Зголемување на растојанието помеѓу опремата и приемникот.
- Консултирајте се со продавачот за да добиете помош.

Ознаките на производот може да се најдат ако го отстраните заптивниот прстен и гумената пена што е ставена во десната слушалка.

Содржи модул за пренос IC: 12246A-VM64S2

Овој уред ги исполнува барањата на RSS стандард(ите) на Industry Canada без лиценца.

Работата е предмет на следниве два услови: (1) овој уред не може да предизвика интерференција и (2) овој уред мора да ја прифати секоја интерференција, вклучувајќи ја и интерференцијата што може да предизвика несакана работа на уредот.

Според прописите на Industry Canada, овој радиопредавател може да работи само со користење антена од тип и максимално (или помало) емитување што е одобрено за предавател од Industry Canada. За да се намали потенцијалната радиоинтерференција на другите корисници, типот на антената и нејзиното емитување мора да се избере така што еквивалентната изотропна емитувана моќност (e.i.r.p.) не е поголема од таа што е неопходна за успешна комуникација.

Ознаките на производот може да се најдат ако го отстраните заптивниот прстен и гумената пена што е ставена во десната слушалка.

Регистрирани заштитни знаци

Знакот-збор и логоата *Bluetooth®* се регистрирани заштитни знаци во сопственост на *Bluetooth SIG, inc.* и секоје користење на тие знаци од страна на Husqvarna е под лиценца.

Безбедност

Дефиниции за безбедност

Предупредувањата, мерките на претпазливост и забелешките се користат за да укажат на особено важни делови од упатството.



ПРЕДУПРЕДУВАЊЕ: Тие се користат ако постои ризик од повреда или смрт на операторот или на присутните лица поради непочитување на упатствата.



ВНИМАНИЕ: Тие се користат ако постои ризик од оштетување на производот, на други материјали или на соседните области поради непочитување на упатствата.

Напомена: Тие се користат за давање повеќе информации кои се неопходни во дадена ситуација.

Општа безбедност



ПРЕДУПРЕДУВАЊЕ: Прочитајте ги следните упатствата за

предупредување пред да го користите производот.

- Користете ги и зачувајте ги овие упатства.
- За оптимална погодност и функција, уверете се дека сте го избрале точниот производ за користење.
- Не променувајте и не отстранувајте делови од производот. Вршете ги само промените што се наведени во овој прирачник за корисници.
- Способноста за придрушување на бучавата на производот значително ќе се намали ако не се придржувате до упатствата што се наведени во овој прирачник за корисници. Квалитетот на слушалките, а особено на перничината, може да се намали со употребата и треба редовно да се проверуваат поради можни напукнувања или протекувања. Погледнете во *Одржувањена страница 129*.
- На производот може негативно да влијаат одредени хемиски супстанции. Дополнителни информации може да се добијат од производителот. Чувајте го производот подалеку од агресивни супстанции и чистете го редовно. Користете крпа со вода и сапун. Не мијте го и не потопувајте го целосно во вода.
- Целата работа за сервисирање и поправање мора да се врши од одобрена работилница

за сервисирање. Користете само оригинални резервни делови од Husqvarna.

- Никогаш не користете ги слушалките подолго од 10 години од датумот на производството што на наведен на амбалажата.
- Функционалноста на производот може да се намали со потрошувачката на батеријата.

Упатства за безбедност при работа

- Лицето кое ги носи слушалките треба да се погрижи слушалките постојано да се носат во бучна околина.
- Бидете повнимателни и слушајте ги сигналите за предупредување кога го користите производот. Бучавата од сигналите за предупредување може да се намали кога го користите производот.
- Јачината на звукот на сигналите за предупредување на одредено работно место може да се намали кога се користи објект за забава.
- Внимавајте производот да не се удира при транспортот и при користењето.
- Користете го производот на температура од -20°C до +55°C. Ако го користите производот на друга температура, тоа може да предизвика оштетување на електрониката, батеријата и механичките делови.
- Уверете се дека знаете како да го користите производот пред да го користите. Разговарајте со сервисерот ако има оштетување на производот. Не отворајте го куќиштето!
- Постапувањето на хигиенските прекривки врз перничњата може да влијае врз акустичните перформанси на слушалките. Секогаш користете оригинални додатоци.

- Не туркајте ги слушалките кон оклопот на шлемот. Ако го направите тоа, може да се појават пукнатини на страничниот дел од шлемот.

(Слика 4)

- Не чувајте го производот на температури над +55°C, на пример, на контролен пулт. Не чувајте го производот на температури под -20°C.
- Лицето кое ги носи слушалките треба да провери дали слушалките се поставуваат, приспособуваат и одржуваат според ова упатство за операторот.
- Слушалките се доставени со аудиовлез што е поврзан со безбедноста. Корисникот треба да ја провери исправноста на оваа опрема пред користење. Ако открие изобличување или дефект, корисникот треба да ги погледне советите на производителот за одржување.

Безбедност на батеријата

- Слушалката има способност за придушвање што е зависно од нивото. Корисникот треба да ја провери исправноста на оваа опрема пред користење. Ако открие неисправност или дефект, корисникот треба да ги следи советите на производителот за одржување.
- Производот содржи батерија и електрични компоненти што може да предизвикаат палење во запаливи и експлозивни атмосфери. Не користете го во околини каде што искрите може да предизвикаат пожар или експлозија.
- Полнете го производот во рамките на температурниот опсег од 0°C до +40°C. Полнењето надвор од овој температурен опсег може да ги оштети електронските делови и батеријата.

Склопување

Вовед



ПРЕДУПРЕДУВАЊЕ: Тргнете ја косата настрана пред да го склопите производот. Уверете се дека заптивните прстени се цврсто поставени на главата и околу ушите пред да ракувате со производот.

За да ги ставите слушалките со лентата за на глава

1. Ставете ја лентата за на глава на горниот дел од главата.
2. Поместете ги слушалките нагоре или надолу за да ја приспособите висината. (Слика 5)

За да ги склопите слушалките на шлемот

1. Поставете го точниот вид на приклучок за адаптер на оклопот на шлемот. Погледнете во *Одобрени шлемовина страница 130*.
2. Склопете ја виљушката на шлемот на приклучокот за адаптер. (Слика 6)

Напомена: Погледнете во *Одобрени шлемовина страница 130* за подетални информации за тоа кој додаток за шлем е соодветен за вашиот шлем.

3. Ставете ги слушалките на најдолната положба.
4. Подигнете ги слушалките нанадвор и нагоре додека не се прицврстат во позиција на подготвеност. (Слика 7)
5. Означете ја позицијата на кабелот.

- a) За шлемот H300, означете ја позицијата на 27 cm/11 инчи (X) од секоја слушалка.
 - b) За шлемот Spire Vent X, означете ја позицијата на 14,5 cm/6 инчи (Y) од секоја слушалка. (Слика 8)
6. Ставете го додатокот за шлемот во отворот на шлемот. (Слика 9)
 7. Продолжете до упатствата за склопување за вашиот одобрен шлем.



ВНИМАНИЕ: Уверете се дека кабелот не е извиткан и дека нема мал радиус на виткање. Уверете се дека кабелот може да се движи лесно во отворот на шлемот.

За да ги склопите слушалките на шлемот H300

1. Ослободете го лежиштето за главата од шлемот. (Слика 10)
2. Прицврстете го кабелот на отворите со врвките за кабелот. (Слика 11)
3. Ако го прицврстите кабелот со врвки за кабел, пресечете ја врвката за кабел и вметнете ја бравата за врвка за кабел во страничниот отвор.
4. Направете јамка од кабелот и прицврстете ги лежиштето за главата и заштитата за вратот. Уверете се дека кабелот се наоѓа помеѓу оклопот на шлемот и лежиштето за главата. (Слика 12)

За да ги склопите слушалките на шлемот Spire Vent X

1. Ставете го кабелот во јамката наназад.
2. Прицврстете го кабелот за лежиштето за главата со врвките за кабелот. Прицврстете ја врвката за кабелот низ задниот ремен на лентата за на глава.

3. Пресечете ја врвката за кабелот.
4. Ставете го преостанатиот дел од кабелот во јамка нанапред, зад задната лента за на глава. (Слика 13)

За да ги ставите заштитниците за уши во работна положба

1. Ставете го шлемот на главата.
2. Приспособете ги заштитниците за уши цврсто на ушите и цврсто на главата. (Слика 14)

За да ги ставите слушалките во положба на подготвеност

- Подигнете ги слушалките нанадвор и нагоре додека не се прицврстат во позиција на подготвеност. (Слика 15)

За да ги ставите слушалките во неактивна положба

1. Ставете ги слушалките во положба на подготвеност. Погледнете во *За да ги ставите слушалките во положба на подготвеност на страница 127*.
2. Свртете ги слушалките наназад покрај страната од шлемот додека не се заклучат во неактивна положба. (Слика 16)

За да го поврзете телескопскиот микрофон

Користете телескопски микрофон во околини со многу бучава.

1. Прикачете го филтерот за ветер на телескопскиот микрофон.
2. Поврзете го телескопскиот микрофон со приклучокот за микрофон на десната слушалка. (Слика 17)
3. Ставете го телескопскиот микрофон на растојание од 1 cm/0,4 in. (A) од вашата уста.

Работа

Вовед



ПРЕДУПРЕДУВАЊЕ: Пред да ракувате со производот, мора да го прочитате и да го разберете делот за безбедност.

За да го полните производот

1. Поврзете го приклучокот USB-C на кабелот за полнење со приклучокот на левата слушалка. (Слика 18)
2. Поврзете го USB-приклучокот на кабелот за полнење со USB-полнач или друг приклучок за напојување преку USB.

Напомена: Излезната моќност на приклучокот за напојување мора да биде 5 V и 2 A за да се полни со максимален капацитет.

Напомена: LED-индикаторот на копчето Bluetooth® трепнува зелено бавно кога батеријата се полни. LED-индикаторот на копчето Bluetooth® е чисто зелено кога батеријата е целосно наполнета.

За да го стартувате производот

- Притиснете и задржете го копчето за вклучување/исклучување во времетраење од 1 секунда.

Напомена: Звукот што се слуша ве известува дека производот е вклучен. Аудиопорака ве известува за статусот на батеријата и бројот на уреди што се поврзани со безжичната технологија Bluetooth®.

Аудиопорака
BATTERY HIGH
BATTERY MEDIUM
BATTERY LOW
BATTERY CRITICAL

Аудиопорака	LED-индикатор на копчето Bluetooth®
ONE BLUETOOTH DEVICE CONNECTED	LED-светилката е сина.
TWO BLUETOOTH DEVICES CONNECTED	

За да променувате помеѓу режим на FM-радио и режим на Bluetooth®

- Брзо притиснете го копчето за режим 2 пати за да променувате помеѓу режим на FM-радио и режим на Bluetooth®.

Напомена: Аудиопорака ве известува кој режим сте го избрале. Погледнете ја табелата подолу.

Аудиопорака
RADIO
BLUETOOTH

Режим на FM-радио

Во режим на FM-радио добивате пристап до FM-радио.

За да промените станица на FM-радио

- Притиснете го и задржете го копчето за зголемување на јачината на звукот или копчето за намалување на јачината на звукот во времетраење од 1 секунда за да ја промените станицата на FM-радио.

Режим Bluetooth®

Во режим на Bluetooth®, може да го поврзете производот со уред преку безжична технологија Bluetooth®.

За операција за спарување со Bluetooth®

1. Притиснете го и задржете го копчето Bluetooth® во времетраење од 2 секунди за да ја започнете операцијата за спарување на вашиот производ.

Напомена: Операцијата за спарување започнува кога слушате звук и копчето Bluetooth® светнува со сина боја. Операцијата за спарување е активна 30 секунди.

2. Стартувајте ја функцијата за безжична технологија Bluetooth® на уредот.
3. Ако треба, изберете Husqvarna X-COM Active во списокот на единици на уредот.

Напомена: Аудиопорака ве известува за статусот на производот. Погледнете ја табелата подолу.

Аудиопорака	LED-индикатор на копчето Bluetooth®	Информации
BLUETOOTH DEVICE CONNECTED	Чисто сино.	Производот е поврзан со уред преку безжичната технологија Bluetooth®.
BLUETOOTH CONNECTION FAILED	Чисто црвено во времетраење од 2 секунди.	Производот е поврзан со уред преку безжичната технологија Bluetooth®.

Напомена: Уред со безжична технологија Bluetooth® што е поврзан со вашиот производ автоматски се поврзува со вашиот производ следниот пат кога производот се користи со уредот.

За да го промените проследувањето на аудио

- Притиснете го и задржете го копчето за зголемување на јачината на звукот во времетраење од 0,5 секунди за да го изберете следното проследување на аудио.
- Притиснете го и задржете го копчето за намалување на јачината на звукот во времетраење од 0,5 секунди за да се вратите назад на претходното проследување на аудио.

За да го запрете или започнете проследувањето на аудио

- Притиснете го копчето за режим за да го запрете или започнете проследувањето на аудио.

За да прифатите, завршите или отфрлите телефонски повик

Ако вашиот мобилен уред е поврзан со производот со безжичната технологија Bluetooth®, се слуша сигнал во слушалките кога има дојдовен телефонски повик.

- Притиснете го копчето за режим за да прифатите или да завршите телефонски повик.
- Притиснете го копчето за режим во времетраење од 1 секунда за да отфрлите дојдовен телефонски повик.

Напомена: Звук ве известува кога телефонскиот повик е прифатен или отфрлен.

Аудиопорака	Информации
CALL ENDED	Телефонскиот повик заврши.

За да ја приспособите јачината на звукот

- Притиснете го копчето за зголемување или за намалување на јачината на звукот за да ја приспособите јачината на звукот. Звук ве известува кога јачината на звукот е на минимално или максимално ниво.

За да поставите на режим на амбиентален звук

Режимот на амбиентален звук ви овозможува да ги слушнете звуците околу вас.

- Притиснете го копчето за амбиентален звук.

Напомена: Аудиопорака ве известува за статусот на режимот на амбиентален звук.

Аудиопорака
AMBIENT LEVEL HIGH
AMBIENT LEVEL MEDIUM
AMBIENT LEVEL LOW
AMBIENT LEVEL OFF

За да го исклучите производот

- Притиснете и задржете го копчето за вклучување/исклучување во времетраење од 1 секунда.

Напомена: Аудиопорака ве известува за статусот на батеријата и LED-индикаторите се исклучуваат. Звукот што се слуша ве известува дека производот е исклучен.

За да го исклучите производот принудно

- Притиснете и задржете го копчето за вклучување/исклучување во времетраење од 12 секунди.

Одржување

За да извршите одржување на производот



ВНИМАНИЕ: Не плакнете го производот и не потопувајте го целосно во вода.



ВНИМАНИЕ: Спрејот, течностите или другите средства за чистење што содржат раствори и/или алкохол може да ја намалат заштитната функција.



ВНИМАНИЕ: Користете оригинални резервни делови од Husqvarna.

1. Редовно чистете го производот. Користете крпа и благ раствор на сапун.

2. Проверувајте ја состојбата на заптивните прстени и на гумените пени пред секое користење.
3. Заменете ги заптивните прстени и гумените пени по еднаш на секои 6 месеци или почесто ако е потребно. Проверете дали испакнатиот дел на заптивниот прстен е свртен надолу при склопувањето. Користете го оригиналниот комплет за хигиена што ги вклучува заптивните прстени и гумените пени. Погледнете го www.husqvarna.com за повеќе информации за комплетот за хигиена. (Слика 19)

Напомена: Ако слушалките се мокри од внатрешната страна, оставете ги да се исушат во неактивна положба. Погледнете во *За да ги ставите слушалките во неактивна положба на страница 127*.

4. Заменете ја мембраната на микрофонот за говор доколку истата е оштетена.

5. Заменете го филтерот за ветер за микрофонот што е зависен од нивото доколку истиот е оштетен.
6. Заменете го филтерот за ветер на телескопскиот микрофон доколку истиот е оштетен.
7. Заменете го перничето за удобност на лентата за на глава ако има потреба. (Слика 20)

Транспорт, чување и фрлање

Транспорт и складирање



ВНИМАНИЕ: За време на транспортот и складирањето, ставете ги слушалките во работна положба за да се намали амортизацијата на пластичниот материјал.

- Ставете ги слушалките во работна положба. Погледнете во *За да ги ставите заштитниците за уши во работна положба на страница 127*.
- Уверете се дека заптивните прстени не се притиснати.
- Ставете го производот на суво и чисто место.
- За време на складирањето, чувајте го производот подалеку од сончева светлина.
- Полнете ја батеријата по еднаш на секои 6 седмици за да го одржувате квалитетот на батеријата.

- Производот треба да биде на безбедно место за време на транспортот.

Фрлање

- Почитувајте ги националните прописи.
- Користете го локалниот систем за рециклирање.
- Производот или амбалажата на производот не е домашен отпад. Рециклирајте го во најблиската станица за електрична и електронска опрема.



Додатоци

Одобрени шлемови

Користете го производот само со шлемовите наведени подолу.

Модел	Вид на додаток за шлем	Графика на адаптер	Одобрени димензии
Husqvarna Technical, H300	Адаптер H300	(Слика 21)	M/L
Husqvarna Spire	Адаптер Spire	(Слика 22)	L
KASK Zenith X			

Технички податоци

Технички податоци

Погледнете ги следните илустрации за технички податоци за секој производ. За повеќе технички

податоци, погледнете во листот за додаток на технички податоци во ова упатство за оператор.

(Слика 2)
(Слика 3)

За повеќе информации за содржината на техничките податоци, погледнете ја следната листа:

- F = фреквенции на кои се мери придушувањето на звукот.
- Mf = средна вредност.
- Sf = стандардно отстапување.
- APV (Mf-Sf) = претпоставена вредност на заштита.
- H = Вредност на придушување на висока фреквенција (претпоставено ниво на намалување на бучава за бучава каде што $L_C - L_A = -2$ dB). M = Вредност на придушување на средна фреквенција (претпоставено ниво на намалување на бучава за бучава каде што $L_C - L_A = +2$ dB). L =

Вредност на придушување на ниска фреквенција (претпоставено ниво на намалување на бучава за бучава каде што $L_C - L_A = +10$ dB).

- SNR = Степен на придушување на бучава (вредноста која се одзема од измереното C-пондерирано ниво на звучен притисок, L_C , за да се процени ефективното A-пондерирано ниво на звучен притисок во увото).

Одговорен производител: Husqvarna AB, SE-561 82 Huskvarna, Sweden, тел.: +46-36-146500.

Ниво на звук

Режимот на FM-радио и режимот на слушалки имаат максимално еквивалентно ниво на звук од 82 dB (A).

Материјали

Дел	Материјал	Дел	Материјал
Внатрешна чашка	ABS	Лента за на глава	POM+TPE
Надворешна чашка, лева	ABS	Виљушка од шлемот	PA66GF30
Надворешна чашка, десна	ABS+TPE	Пружина на виљушката од шлемот	Челик
Додатоци	PUR	Завртки	Челик
Заптивни прстени	ABS+TPE		

Inhoud

Inleiding.....	132	Vervoer, opslag en verwerking.....	137
Veiligheid.....	133	Accessoires.....	137
Montage.....	134	Technische gegevens.....	138
Werking.....	135	Bijlage	229
Onderhoud.....	137		

Inleiding

Productbeschrijving

Het product X-SYNC (HP500BT-01, HP500BT-02) is een gehoorbescherming met geïntegreerde full-duplex communicatie, *Bluetooth® draadloze technologie* en FM-

radio. Het model HP500BT-01 is gehoorbescherming met hoofdband en het model HP500BT-02 is gehoorbescherming voor een helm. Het product biedt bescherming tegen schadelijk geluid.

Productoverzicht

(Fig. 1)

1. Knop voor omgevingsgeluid
2. Niveau-afhankelijke microfoon
3. Bluetooth®-knop
4. Spraakmicrofoon
5. Mode-knop
6. Aansluiting voor kabel van USB-C-oplader
7. Knop volume omhoog
8. Knop volume omlaag
9. ON/OFF-knop
10. Aansluiting voor microfoonarm

De accu is gecertificeerd conform IEC62133 editie 2.



UK Importer:
Husqvarna UK Ltd
Preston Road, Co. Durham
DL5 6UP

Naleving en goedkeuringen

Hierbij verklaart Husqvarna AB SE-561 82 Huskvarna, Sweden, tel: +46-36-146500, dat het type radioapparatuur HP500BT-01 en HP500BT-01 voldoet aan 2014/53/EU, 2011/65/EU en de verordening (EU) 2016/425. Verordening 2016/425 betreffende persoonlijke beschermingsmiddelen, zoals gewijzigd om van toepassing te zijn in VK. De volledige tekst van de EU-verklaring van overeenstemming en de UK-verklaring van overeenstemming is beschikbaar op het volgende internetadres: www.husqvarna.com; zoek naar X-SYNC, HP500BT-01, HP500BT-02.

FCC ID: ZASHP500BT, IC ID: 23307-HP500BT

Verklaring van overeenstemming van FCC-leveranciers voor HP500BT-01, HP500BT-02 verantwoordelijke partij.

Husqvarna Professional Products, Inc. 9335 Harris Corners Parkway Suite 500 Charlotte, NC 28269 Verenigde Staten.

De dempingswaarden en geluidsniveaus van het product zijn getest en goedgekeurd overeenkomstig: EN 352-1:2020 (hoofdband), EN 352-3:2020 (op helm gemonteerd), EN 352-4:2020, EN 352-6:2020 en EN 352-8:2020.

Contactgegevens VS: Michael Campbell, Manager Product Compliance, telefoon: +1 704 597 5000.

Verklaring van overeenstemming FCC:

Aangemelde instantie die betrokken is bij de conformiteitsbeoordeling is: Nummer van aangemelde instantie 1974. PZT GmbH, Bismarckstraße 264 B, 26389 Wilhelmshaven, Germany.

Dit apparaat voldoet aan Deel 15 van de FCC-regels. Het gebruik is onderworpen aan de volgende twee voorwaarden: (1) dit apparaat mag geen schadelijke interferentie veroorzaken, en (2) dit apparaat moet elke ontvangen interferentie accepteren, inclusief interferentie die een ongewenste werking kan veroorzaken.

VK-nummer aangemelde instantie 0321. SATRA Technology Centre, Wyndham Way, Telford Way, Kettering, Northamptonshire, NN16 8SD, UK.

Certificering en bewaking door PZT.

Dit apparaat is getest en voldoet aan de normen voor een digitaal apparaat van klasse B, volgens Deel 15 van de FCC-voorschriften. Deze limieten zijn opgesteld om

een redelijke bescherming te bieden tegen schadelijke interferentie bij installatie in een woonwijk. Dit apparaat genereert en gebruikt radiogolven en kan mogelijk radiogolven uitzenden die communicatie via radiogolven kunnen verstoren wanneer dit apparaat niet wordt geïnstalleerd en gebruikt volgens de instructies. Er is echter geen garantie dat er geen interferentie zal optreden bij een bepaalde installatie. Als deze apparatuur schadelijke interferentie veroorzaakt bij uw radio- of televisieontvangst (dat kan worden vastgesteld door de apparatuur uit en in te schakelen), wordt de gebruiker aangeraden deze interferentie te corrigeren door een of meer van de volgende maatregelen:

- Vergroot de afstand tussen het apparaat en de ontvanger.
- Raadpleeg de dealer voor hulp.

U vindt de markering op het product als u de afdichting en het schuimrubberen inzetstuk op de rechter oorkap verwijderd.

Bevat zendermodule IC: 12246A-BM64S2

Dit apparaat voldoet aan de RSS-standaard(en) van Industry Canada met betrekking tot vrijstelling

van licenties. Het gebruik is onderworpen aan de volgende twee voorwaarden: (1) dit apparaat mag geen interferentie veroorzaken; en (2) dit apparaat moet elke interferentie accepteren, inclusief interferentie die een ongewenste werking van het apparaat kan veroorzaken.

Op basis van de regelgeving van Industry Canada mag deze radiozender alleen werken met een antenne van een type en maximale (of mindere) versterking zoals goedgekeurd voor de zender door Industry Canada. Om mogelijke radiostoringen voor andere gebruikers te beperken, moeten het type antenne en de versterking zodanig worden gekozen dat het equivalent isotropisch uitgestraald vermogen (e.i.r.p.) niet meer dan nodig is voor succesvolle communicatie.

U vindt de markering op het product als u de afdichting en het schuimrubberen inzetstuk op de rechter oorkap verwijderd.

Geregistreerde handelsmerken

Het *Bluetooth*[®]-woordmerk en de logo's zijn geregistreerde handelsmerken die eigendom zijn van *Bluetooth SIG, inc.* en het gebruik van deze merken door Husqvarna vindt plaats onder licentie.

Veiligheid

Veiligheidsdefinities

Waarschuwingen, voorzorgsmaatregelen en opmerkingen worden gebruikt om te wijzen op belangrijke delen van de handleiding.



WAARSCHUWING: Wordt gebruikt om te wijzen op de kans op ernstig of fataal letsel voor de gebruiker of omstanders wanneer de instructies in de handleiding niet worden gevolgd.



OPGELET: Wordt gebruikt indien er een risico bestaat op schade aan het product en andere eigendommen of aan de omgeving wanneer de instructies in de handleiding niet worden gevolgd.

Let op: Geven verdere informatie die nodig is in een bepaalde situatie.

Algemene veiligheid



WAARSCHUWING: Lees de volgende waarschuwingen voordat u het product gaat gebruiken.

- Gebruik en bewaar deze instructies.

- Voor een optimale pasvorm en functie moet u ervoor zorgen dat u het juiste product voor uw gebruik hebt geselecteerd.
- Vervang en verwijder geen onderdelen op het product. Breng alleen wijzigingen aan die in deze bedieningshandleiding beschreven staan.
- De geluidsdemping van het product kan ernstig worden verminderd als u de instructies in deze bedieningshandleiding niet opvolgt. Oorkappen, en met name kussens, kunnen door gebruik verslechteren en dienen regelmatig te worden gecontroleerd op scheurvorming en lekkage. Raadpleeg *Onderhoud op pagina 137*.
- Dit product kan slecht reageren op bepaalde chemische stoffen. Neem voor meer informatie contact op met de fabrikant. Houd de gehoorbescherming uit de buurt van agressieve stoffen en reinig het product regelmatig. Gebruik een doek met water en zeep. Niet wassen of volledig in water leggen.
- Alle onderhoudswerkzaamheden en reparaties moeten worden uitgevoerd door een erkende servicewerkplaats. Gebruik alleen originele reserveonderdelen van Husqvarna.
- Gebruik de oorkappen nooit langer dan 10 jaar vanaf de productiedatum op de verpakking.
- De functionaliteit van het product kan verslechteren door accugebruik.

Veiligheidsinstructies voor bediening

- De drager dient ervoor te zorgen dat de oorkappen te allen tijde wordt gedragen in lawaaierige omgevingen.
- Wees voorzichtig en blijf alert op waarschuwingssignalen wanneer u het product gebruikt. Het geluid van waarschuwingssignalen kan afnemen wanneer u het product gebruikt.
- De hoorbaarheid van waarschuwingssignalen op een specifieke werkplek kan worden beïnvloed tijdens het gebruik van de entertainment-faciliteit.
- Zorg ervoor dat het product niet wordt geraakt tijdens transport en gebruik.
- Gebruik het product alleen tussen temperaturen van -20 °C tot +55 °C. Als u het product bij andere temperaturen gebruikt, kan dit leiden tot beschadiging van de elektronica, de accu en de mechanische onderdelen.
- Zorg ervoor dat u weet hoe u het product gebruikt alvorens het in gebruik te nemen. Neem contact op met uw onderhoudsmonteur als er schade aan het product is. Open de behuizing niet!
- Het aanbrengen van hygiënehoesjes over de kussens kan de akoestische werking van de oorkappen negatief beïnvloeden. Gebruik altijd originele accessoires.
- Duw de oorkappen niet tegen de helmschaal. Indien u dat wel doet, dan kunnen er scheurtjes rond de zijkant van de helm ontstaan.

(Fig. 4)

- Sla het product niet op bij temperaturen boven +55 °C, bijvoorbeeld op een dashboard. Sla het product niet op bij temperaturen onder -20 °C.
- De drager dient ervoor te zorgen dat de oorkappen worden aangebracht, afgesteld en onderhouden overeenkomstig deze bedieningshandleiding.
- De oorkap is voorzien van een veiligheidsgebonden audio-ingang. De gebruiker dient vóór gebruik het product op een goede werking te controleren. Indien er vervorming of een defect wordt gedetecteerd, dient de gebruiker het advies van de fabrikant voor onderhoud op te volgen.

Veiligheid bij accu's

- De oorkap is voorzien van niveauafhankelijke demping. De gebruiker dient vóór gebruik het product op een goede werking te controleren. Indien er een defect of fout wordt gedetecteerd, dient de gebruiker het advies van de fabrikant voor onderhoud op te volgen.
- Het product bevat een accu en elektrische onderdelen, die in ontvlambare of explosieve omgevingen voor ontsteking kunnen zorgen. Gebruik dit product niet in omgevingen waar brand of een ontploffing door vonken kunnen ontstaan.
- Laad het product alleen op binnen een temperatuurbereik van 0 °C tot +40 °C. Opladen buiten dit temperatuurbereik kan de elektronica en de accu beschadigen.

Montage

Inleiding



WAARSCHUWING: Beweeg uw haar naar de zijkant voordat u het product monteert. Zorg ervoor dat de afdichtingen strak tegen uw hoofd en rond uw oren zitten voordat u het product gebruikt.

De oorkappen met hoofdband opzetten

1. Plaats de hoofdband op uw hoofd.
2. Beweeg de oorkappen omhoog of omlaag om de hoogte af te stellen. (Fig. 5)

De oorkappen aan een helm monteren

1. Bevestig het juiste type adapter op de helmschaal. Raadpleeg *Goedgekeurde helmen op pagina 137*.
2. Bevestig de helmschaal op de hulpstukadapter. (Fig. 6)

Let op: Raadpleeg *Goedgekeurde helmen op pagina 137* voor meer informatie over welke bevestiging geschikt is voor uw helm.

3. Beweeg de oorkappen naar de laagste positie.

4. Til de oorkappen naar buiten en omhoog tot ze in de ruststand vastklikken. (Fig. 7)
5. Markeer de kabel.
 - a) Plaats voor de helm H3000 een markering op 27 cm/11 inch (X) van elke oorkap.
 - b) Plaats voor de helm Spire Vent X een markering op 14,5 cm/6 inch (Y) van elke oorkap. (Fig. 8)
6. Plaats de helmbevestiging in de sleuf op de helm. (Fig. 9)
7. Ga verder met montageinstructies voor uw goedgekeurde helm.



OPGELET: Zorg ervoor dat de kabel niet verdraaid is of een kleine buigradius heeft. Zorg ervoor dat de kabel soepel kan bewegen in de opening van de helm.

De oorkappen aan een helm bevestigen H300

1. Maak de hoofdband los van de helm. (Fig. 10)
2. Bevestig de kabels met kabelbinders of kabelklemmen aan de gaten. (Fig. 11)

- Als u de kabel met de kabelbinders bevestigt, knipt u de kabelbinder door en duwt u het slotje van de kabelbinder in de sleuf aan de zijkant.
- Maak een lus van de kabel en bevestig de hoofdband en de nekbescherming. Zorg ervoor dat de kabel tussen de helmschaal en de hoofdband ligt. (Fig. 12)

De oorkappen aan een helm bevestigen Spire Vent X

- Plaats de kabel in een lus naar achteren.
- Bevestig de kabel met kabelbinders aan de hoofdband. Bevestig de kabelbinder via de achterband van de hoofdband.
- Knip de kabelbinder door.
- Plaats het resterende deel van de kabel in een lus naar voren, achter de achterste hoofdband. (Fig. 13)

De oorkappen in de werkstand zetten

- Zet de helm op uw hoofd.
- Pas de oorkappen aan totdat ze strak rond uw oren en strak tegen uw hoofd zitten. (Fig. 14)

De oorkappen in de ruststand zetten

- Til de oorkappen naar buiten en omhoog tot ze in de ruststand vastklikken. (Fig. 15)

De oorkappen in de parkeerstand zetten

- Zet de oorkappen in de ruststand. Raadpleeg *De oorkappen in de ruststand zetten op pagina 135*.
- Draai de oorkappen naar achteren langs de zijkant van de helm tot ze in de parkeerstand vastklikken. (Fig. 16)

De microfoonarm aansluiten

Gebruik een microfoonarm in omgevingen met veel lawaai.

- Bevestig het windfilter op de microfoonarm.
- Sluit de microfoonarm aan op de microfoon-aansluiting op de rechter oorkap. (Fig. 17)
- Plaats de microfoonarm op 1 cm/0,4 inch (A) van uw mond.

Werking

Inleiding



WAARSCHUWING: Voordat u het product gaat gebruiken, dient u het hoofdstuk over veiligheid te lezen en hebben begrepen.

Het product opladen

- Sluit de USB-C-connector op de laadkabel aan op de aansluiting aan de linker oorkap. (Fig. 18)
- Sluit de USB-connector op de laadkabel aan op een USB-oplader of een ander USB-stopcontact.

Let op: De uitgang van het stopcontact moet 5 V en 2 A zijn om op maximale capaciteit op te laden.

Let op: De led-indicator op de Bluetooth® knop knippert langzaam groen wanneer de accu wordt opgeladen. De led-indicator op de Bluetooth® knop brandt continu groen wanneer de accu volledig is opgeladen.

Product starten

- Houd de knop ON/OFF gedurende 1 seconde ingedrukt.

Let op: Een geluidssignaal geeft aan dat het product is ingeschakeld. Een audiob Bericht geeft aan

wat de accustatus en het aantal apparaten dat is verbonden met Bluetooth® draadloze technologie is.

Audiob Bericht
BATTERY HIGH
BATTERY MEDIUM
BATTERY LOW
BATTERY CRITICAL

Audiob Bericht	Led-indicator op de Bluetooth® knop
ONE BLUETOOTH DEVICES CONNECTED	Led brandt blauw.
TWO BLUETOOTH DEVICES CONNECTED	

Schakelen tussen de FM-radio- en Bluetooth®-modus

- Druk de modusknop snel 2 keer in om te schakelen tussen de FM-radiomodus en Bluetooth®-modus.

Let op: Een audiob Bericht geeft aan welke modus u hebt geselecteerd. Zie de onderstaande tabel.

Audiob bericht
RADIO
BLUETOOTH

FM-radiomodus

In de FM-radio-modus krijgt u toegang tot FM-radio.

Het FM-radiostation wijzigen

- Houd de knop volume omhoog of knop voor volume omlaag 1 seconde ingedrukt om van FM-radiozender te wisselen.

Bluetooth®-modus

In Bluetooth®-modus kunt u uw product aansluiten op een apparaat met draadloze Bluetooth®-technologie.

Bluetooth® koppelen

- Houd de Bluetooth®-knop 2 seconden ingedrukt om de koppelfunctie op uw product te starten.

Let op: Het koppelen begint wanneer u een pieptoon hoort en de Bluetooth®-knop blauw knippert. Het koppelen is 30 seconden ingeschakeld.

- Start het koppelen voor draadloze Bluetooth®-technologie op het apparaat.
- Selecteer indien nodig Husqvarna X-COM Active in de lijst met eenheden op uw apparaat.

Let op: Een audiob bericht geeft de status van het product aan. Zie de onderstaande tabel.

Audiob bericht	Led-indicator op de Bluetooth® knop	Informatie
BLUETOOTH DEVICE CONNECTED	Constant blauw.	Het product is verbonden met een apparaat met draadloze Bluetooth®-technologie.
BLUETOOTH CONNECTION FAILED	2 seconden constant rood.	Het product is niet verbonden met een apparaat met draadloze Bluetooth®-technologie.

Let op: Een apparaat met draadloze Bluetooth®-technologie dat is verbonden met uw product maakt de volgende keer dat u het product met het apparaat gebruikt automatisch verbinding.

Audiostreaming wijzigen

- Houd de knop voor volume omhoog 0,5 seconden ingedrukt om de volgende audiostream te selecteren.
- Houd de knop voor volume omlaag 0,5 seconden ingedrukt om terug te keren naar de vorige audiostream.

Audiostream stoppen of starten

- Druk op de modusknop om audiostream te stoppen of te starten.

Een telefoongesprek aannemen, beëindigen, of weigeren

Als uw mobiele apparaat is verbonden met het product met draadloze Bluetooth®-technologie, hoort u een signaal in de oorkappen wanneer er een inkomende oproep is.

- Druk op de modusknop om een telefoongesprek te accepteren of te beëindigen.
- Houd de modusknop 1 seconde ingedrukt om een inkomende oproep te weigeren.

Let op: U hoort een pieptoon wanneer de oproep wordt geaccepteerd of geweigerd.

Audiob bericht	Informatie
CALL ENDED	Het telefoongesprek is beëindigd.

Het volume aanpassen

- Druk op de knop volume omhoog of volume omlaag om het volume aan te passen. Een geluidssignaal geeft aan wanneer het volume het minimum- of maximumniveau heeft bereikt.

Omgevingsgeluidsmodus instellen

In de omgevingsgeluidsmodus hoort u het geluid om u heen.

- Druk op de knop voor omgevingsgeluid.

Let op: Een audiob bericht geeft de status van de omgevingsgeluidsmodus aan.

Audiob bericht
AMBIENT LEVEL HIGH
AMBIENT LEVEL MEDIUM
AMBIENT LEVEL LOW
AMBIENT LEVEL OFF

Product stoppen

- Houd de knop ON/OFF gedurende 1 seconde ingedrukt.

Let op: Een audiobericht geeft de accustatus aan en de led-indicatoren gaan uit. Een geluidssignaal geeft aan dat het product uitgeschakeld is.

Het product geforceerd stoppen

- Houd de knop ON/OFF gedurende 12 seconden ingedrukt.

Onderhoud

Onderhoud uitvoeren aan het product



OPGELET: Spoel het product niet af en leg het niet volledig in water.



OPGELET: Het gebruik van verstuivers, vloeistoffen of andere reinigingsmiddelen die oplosmiddelen en/of alcohol bevatten, kan de beschermende eigenschappen verminderen.



OPGELET: Gebruik originele Husqvarna-reserveonderdelen.

1. Maak het product regelmatig schoon. Gebruik een doek en een milde zeepoplossing.
2. Controleer de staat van de afdichtringen en de schuimrubber inzetstukken voor elk gebruik.

3. Vervang de afdichtringen en de schuimrubber inzetstukken elke 6 maanden, of vaker indien nodig. Zorg ervoor dat het luchtgat op de afdichtring naar beneden wijst tijdens de montage. Gebruik de originele hygiëneset met afdichtringen en schuimrubber inzetstukken. Raadpleeg www.husqvarna.com voor meer informatie over de hygiëneset. (Fig. 19)

Let op: Als de oorkappen nat zijn aan de binnenzijde, moet u ze laten drogen in parkeerstand. Raadpleeg *De oorkappen in de parkeerstand zetten op pagina 135*.

4. Vervang het membraan voor de spraakmicrofoon als deze beschadigd is.
5. Vervang het windfilter voor de niveauafhankelijke microfoon als dit beschadigd is.
6. Vervang het windfilter op de microfoonarm als dit beschadigd is.
7. Vervang het Comfort Pad van de hoofdband indien nodig. (Fig. 20)

Vervoer, opslag en verwerking

Transport en opslag



OPGELET: Zet tijdens transport en opslag de oorkappen in de bedrijfsstand om slijtage van het kunststof materiaal te verminderen.

- Zet de oorkappen in de werkstand. Raadpleeg *De oorkappen in de werkstand zetten op pagina 135*.
- Controleer of de afdichtringen niet ingedrukt zijn.
- Bewaar het product in een droge en schone ruimte.
- Bewaar het product buiten het zonlicht.
- Laad de accu elke 6 weken op om de kwaliteit van de accu te behouden.

- Plaats het product tijdens transport in een veilige ruimte.

Afvoer

- Houd u aan de nationale regelgeving.
- Gebruik het lokale recyclingsysteem.
- Het product of de verpakking ervan is geen huishoudelijk afval. Lever het in bij een recyclepunt voor elektrische en elektronische apparatuur.



Accessoires

Goedgekeurde helmen

Gebruik het product uitsluitend met de hieronder genoemde helmen.

Model	Type helmbevestiging	Afbeelding adapter	Goedgekeurde afmetingen
Husqvarna Technical, H300	Adapter H300	(Fig. 21)	M/L
Husqvarna Spire	Adapter Spire	(Fig. 22)	L
KASK Zenith X			

Technische gegevens

Technische gegevens

Raadpleeg de volgende afbeeldingen voor de technische gegevens van elk product. Raadpleeg voor

(Fig. 2)

(Fig. 3)

Raadpleeg de onderstaande lijst voor meer informatie over de inhoud van de technische gegevens:

- F = frequenties waarop demping is gemeten.
- Mf = gemiddelde waarde.
- Sf = standaardafwijking.
- APV (Mf-Sf) = aangenomen beschermingswaarde.
- H = Dempingswaarde bij hoge frequentie (verwachte demping van het geluidsniveau voor geluid met $L_C - L_A = -2$ dB). M = Dempingswaarde bij middelhoge frequentie (verwachte demping van het geluidsniveau voor geluid met $L_C - L_A = +2$ dB). L = Dempingswaarde bij lage frequentie (verwachte

meer technische gegevens het bijgevoegde blad met technische gegevens in deze bedieningshandleiding.

demping van het geluidsniveau voor geluid met $L_C - L_A = +10$ dB).

- SNR = Single Number Rating (de waarde die wordt afgetrokken van het gemeten C-gewogen geluidsdruk niveau, L_C , om het effectieve A-gewogen geluidsniveau in het oor te schatten).

Verantwoordelijke fabrikant: Husqvarna AB, SE-561 82 Huskvarna, Zweden, tel: +46-36-146500.

Geluidsniveau

De FM-radio-modus en Headset-modus hebben een maximaal equivalent geluidsniveau van 82 dB (A).

Materialen

Onderdeel	Materiaal	Onderdeel	Materiaal
Binnenste oorkussen	ABS	Hoofdband	POM+TPE
Buitenste oorkussen, links	ABS	Helmvork	PA66GF30
Buitenste oorkussen, rechts	ABS+TPE	Veer van de helmvork	Staal
Inzetstukken	PAARS	Schroeven	Staal
Afdichtringen	ABS+TPE		

INNHold

Innledning.....	139	Transport, oppbevaring og avhending.....	144
Sikkerhet.....	140	Tilbehør.....	144
Montering.....	141	Tekniske data.....	144
Drift.....	142	Vedlegg	229
Vedlikehold.....	143		

Innledning

Produktbeskrivelse

Produktet X-SYNC (HP500BT-01, HP500BT-02) er et hørselsvern med integrert full duplekskommunikasjon,

Bluetooth® trådløs teknologi og FM-radio. Modellen HP500BT-01 er et hørselsvern med hodebøyle, og modellen HP500BT-02 er et hørselsvern for hjelm. Produktet beskytter mot skadelig støy.

Produktoversikt

(Fig. 1)

1. Knapp for omgivelseslyd
2. Nivåavhengig mikrofon
3. Bluetooth®-knapp
4. Talemikrofon
5. Modusknapp
6. Utgang for USB-C-ladekabel
7. Volum opp-knapp
8. Volum ned-knapp
9. På/av-knapp
10. Utgang for eksternt mikrofon



UK Importer:
Husqvarna UK Ltd
Preston Road, Co. Durham
DL5 6UP

Samsvar og godkjenninger

Herved erklærer Husqvarna AB, SE-561 82 Huskvarna, Sweden, tel: +46-36-146500 at radioutstyrstypen HP500BT-01 og HP500BT-01 er i samsvar med 2014/53/EU, 2011/65/EU og forskriften (EU) 2016/425. Forskrift 2016/425 om personlig verneutstyr, endret til å gjelde i Storbritannia. Den fullstendige teksten for samsvarserklæringen for EU og for Storbritannia er tilgjengelig på følgende nettside: www.husqvarna.com; søk etter X-SYNC, HP500BT-01, HP500BT-02.

Produktets lydempingsverdier og lydnivåer er testet og godkjent i henhold til: EN 352-1:2020 (hodebøyle), EN 352-3:2020 (hjelmmontert) EN 352-4:2020, EN 352-6:2020 og EN 352-8:2020.

Kontrollorganet som var involvert i samsvarsvurderingen, er: Nummer på kontrollorgan 1974. PZT GmbH, Bismarckstraße 264 B, 26389 Wilhelmshaven, Germany.

Nummer på godkjent organ i Storbritannia 0321. SATRA Technology Centre, Wyndham Way, Telford Way, Kettering, Northamptonshire, NN16 8SD, UK.

Sertifisering og overvåking av PZT.

Batteriet er sertifisert i henhold til IEC62133 utgave 2.

FCC ID: ZASHP500BT, IC ID: 23307-HP500BT

FCC-leverandørers samsvarserklæring for HP500BT-01, HP500BT-02 ansvarlig part.

Husqvarna Professional Products, Inc. 9335 Harris Corners Parkway Suite 500 Charlotte, NC 28269, USA.

Kontaktinformasjon for USA: Michael Campbell, ansvarlig for produktsamsvar, tlf.: +1 704 597 5000.

FCC-erklæring om overholdelse:

Denne enheten samsvarer med del 15 i FCC-reglene.

Bruken av produktet er underlagt følgende to forhold:

- (1) Denne enheten skal ikke forårsake skadelige forstyrrelser.
- (2) Denne enheten må godta mottatte forstyrrelser, inkludert forstyrrelser som kan forårsake uønsket drift.

Dette utstyret er testet og funnet å være i samsvar med grensene for digitalt utstyr i klasse B, i henhold til del 15 av FCC-reglene. Disse grensene er utformet for å gi rimelig beskyttelse mot skadelig interferens ved installasjon i bolig. Dette utstyret genererer, bruker og kan utstråle radiofrekvent energi. Hvis det ikke installeres og brukes i samsvar med instruksjonene, kan det forårsake skadelig interferens

på radiokommunikasjon. Det er imidlertid ingen garanti for at interferens ikke vil forekomme i en bestemt installasjon. Hvis dette utstyret forårsaker skadelig interferens på radio- eller TV-mottak, noe som kan fastslås ved å slå utstyret av og på, anbefales det at brukeren prøver å korrigere interferensen med ett eller flere av følgende tiltak:

- Øk avstanden mellom utstyret og mottakeren.
- Ta kontakt med forhandleren for å få hjelp.

Du kan finne merking på produktet hvis du fjerner tetningsringen og skumgummiinnlegget på høyre øreklokke.

Inneholder sendermodul, IC: 12246A-BM64S2

Denne enheten samsvarer med Industry Canada-lisensfritatte RSS-standarder. Bruken av produktet er underlagt følgende forhold: (1) Denne enheten skal ikke forårsake forstyrrelser. (2) Denne enheten må godta forstyrrelser, inkludert forstyrrelser som kan forårsake uønsket drift av enheten.

Under Industry Canada-reglene skal denne radiosenderen bare brukes med en antenne av en type og maksimal (eller mindre) forsterkning som er godkjent for senderen av Industry Canada. For å redusere potensiell radiointerferens med andre brukere skal du velge antenntype og forsterkning slik at den effektive isotropiske utstrålte effekten (e.i.r.p.) ikke er større enn det som er nødvendig for å oppnå vellykket kommunikasjon.

Du kan finne merking på produktet hvis du fjerner tetningsringen og skumgummiinnlegget på høyre øreklokke.

Registrerte varemerker

Bluetooth® -ordmerket og -logoene er registrerte varemerker for *Bluetooth SIG, inc.*, og bruk av slike merker fra Husqvarna skjer under lisens.

Sikkerhet

Sikkerhetsdefinisjoner

Advarsler, oppfordringer og merknader brukes for å understreke spesielt viktige deler av bruksanvisningen.



ADVARSEL: Brukes hvis det er fare for personskade eller død for brukeren eller andre personer om instruksjonene i håndboken ikke følges.



OBS: Brukes hvis det er fare for skade på produktet, annet materiell eller nærliggende områder om instruksjonene i håndboken ikke følges.

Merk: Brukes for å gi mer nødvendig informasjon for en spesifikk situasjon.

Generell sikkerhet



ADVARSEL: Les de følgende advarselsinstruksjonene før du bruker produktet.

- Følg og ta vare på disse instruksjonene.
- For optimal tilpasning og funksjon må forsikre deg om at du har valgt riktig produkt til din bruk.
- Ikke endre eller fjern deler av produktet. Bare utfør endringer som beskrevet i denne bruksanvisningen.
- Støydempingen til produktet vil reduseres kraftig hvis du ikke følger instruksjonene i denne bruksanvisningen. Øreklokkene og særlig øreputene kan bli svekket gjennom bruk og må derfor

undersøkes regelmessig med tanke på sprekker og lekkasje. Se *Vedlikehold på side 143*.

- Dette produktet kan bli skadet av bestemte kjemiske stoffer. Kontakt forhandleren hvis du ønsker mer informasjon. Hold produktet unna aggressive stoffer, og rengjør produktet regelmessig. Bruk en klut med vann og såpe. Ikke legg produktet i vann.
- Alt av service og reparasjoner må utføres av et godkjent serviceverksted. Bruk bare originale Husqvarna-reservedeler.
- Bruk aldri øreklokkene lenger enn 10 år fra produksjonsdatoen som er angitt på emballasjen.
- Produktets funksjon kan svekkes ved batteriforbruk.

Sikkerhetsinstruksjoner for drift

- Brukeren må sørge for at øreklokkene brukes til enhver tid i støyende omgivelser.
- Vær mer varsom, og lytt etter faresignaler når du bruker produktet. Lyden fra faresignaler kan bli redusert når du bruker produktet.
- Når du bruker underholdningstjenestene, kan det hende du hører faresignalene dårligere.
- Pass på at produktet ikke får slag under transport og bruk.
- Produktet skal bare brukes i temperaturer mellom -20 og 55 °C. Hvis du bruker produktet i andre temperaturer, kan dette føre til skade på elektronikken, batteriet og mekaniske deler.
- Før bruk må du sørge for at du vet hvordan du bruker produktet. Snakk med serviceforhandleren din hvis det er skade på produktet. Ikke åpne huset!
- Bruk av hygienetrekk på putene kan påvirke øreklokkens akustiske egenskaper. Bruk alltid originalt tilbehør.

- Ikke skyv øreklokkene mot hjelmkallet. Dette kan forårsake sprekker på sidene på hjelmen.

(Fig. 4)

- Ikke oppbevar produktet ved temperaturer over +55 °C, for eksempel på et dashboard. Ikke oppbevar produktet ved temperaturer under -20 °C.
- Brukeren må sørge for at øreklokkene er montert, justert og vedlikeholdt i samsvar med denne bruksanvisningen.
- Øreklokkene er utstyrt med sikkerhetsrelatert lydinnngang. Brukeren bør kontrollere at den fungerer riktig før bruk. Hvis det forekommer forstyrrelser eller feil, må brukeren se til produsentens råd for vedlikehold.

Batterisikkerhet

- Øreklokkene er utstyrt med nivåavhengig demping. Brukeren bør kontrollere at de fungerer som de skal

før bruk. Hvis det oppdages forstyrrelser eller feil, må brukeren følge produsentens instruksjoner for vedlikehold.

- Produktet inneholder et batteri og elektriske komponenter, som kan forårsake antenning i brennbare eller eksplosive miljøer. Må ikke brukes i miljøer der gnister kan forårsake brann eller eksplosjon.
- Lad kun produktet innenfor temperaturområdet fra 0 °C til +40 °C. Lading utenfor dette temperaturområdet kan skade elektronikken og batteriet.

Montering

Innledning



ADVARSEL: Flytt håret ditt til siden før du setter på produktet. Kontroller at tetringsringene sitter tett mot hodet og rundt ørene før du begynner å bruke produktet.



OBS: Kontroller at kabelen ikke er vridd eller har en liten bøyingsradius. Kontroller at kabelen kan bevege seg jevnt inn i åpningen på hjelmen.

Slik setter du på øreklokker med hodebøyle

1. Plasser hodebøylen over toppen av hodet.
2. Flytt øreklokkene opp eller ned for å justere høyden. (Fig. 5)

Slik fester du øreklokkene til en hjelm

1. Fest riktig type adapterfeste til hjelmkallet. Se *Godkjente hjelmer på side 144*.
2. Fest hjelmgaffelen på festeadapteren. (Fig. 6)

Merk: Se *Godkjente hjelmer på side 144* for mer informasjon om hvilket hjelmtilbehør som passer til hjelmen din.

3. Flytt øreklokkene til den laveste posisjonen.
4. Løft øreklokkene ut og opp til de låses i standbyposisjon. (Fig. 7)
5. Merk kabelen.
 - a) For hjelmen H300, bør du merke kabelen 27 cm / 11 tommer (X) fra hver øreklokke.
 - b) For hjelmen Spire Vent X, bør du merke kabelen 14,5 cm / 6 tommer (Y) fra hver øreklokke. (Fig. 8)
6. Sett hjelmtilbehøret i sporet på hjelmen. (Fig. 9)

7. Gå til monteringsanvisningene for din godkjente hjelm.

Slik fester du øreklokkene til hjelmen H300

1. Løsne hodeselen fra hjelmen. (Fig. 10)
2. Fest kabelen til hullene ved hjelp av kabelstripsene eller klipsene. (Fig. 11)
3. Hvis du fester kabelen med kabelstrips, kutt kabelstripsen og skyv låsen på kabelstripsen inn i sidesporet.
4. Lag en løkke av kabelen, og fest hodeselen og nakkebeskyttelsen. Kontroller at kabelen er mellom hjelmkallet og hodeselen. (Fig. 12)

Slik fester du øreklokkene til hjelmen Spire Vent X

1. Legg kabelen i en løkke bakover.
2. Fest kabelen til hodeselen ved hjelp av kabelstripsene. Fest kabelstripsen gjennom den bakre stroppen på hodebøylen.
3. Kutt kabelstripsen.
4. Legg den gjenværende delen av kabelen i en løkke bakover, bak den bakre hodebøylen. (Fig. 13)

Slik setter du øreklokkene i driftsposisjon

1. Sett hjelmen på hodet.
2. Juster øreklokkene til de sitter stramt rundt ørene og tett opp mot hodet. (Fig. 14)

Slik setter du øreklokkene i standby-posisjon

- Løft øreklokkene ut og opp til de låses i standby-posisjon. (Fig. 15)

Slik setter du øreklokkene i parkeringsposisjon

1. Sett øreklokkene i standby-posisjon. Se *Slik setter du øreklokkene i standby-posisjon på side 142*.
2. Skyv øreklokkene bakover langs siden av hjelmen til de låses i parkeringsposisjonen. (Fig. 16)

Drift

Innledning



ADVARSEL: Før du bruker produktet, må du lese og forstå kapittelet om sikkerhet.

Slik lader du produktet

1. Koble USB-C-kontakten på ladekabelen til utgangen på venstre øreklokke. (Fig. 18)
2. Koble USB-kontakten på ladekabelen til en USB-lader eller en USB-strømforsyning.

Merk: Utgangen må ha en effekt på 5 V og 2 A for å lade ved maksimal kapasitet.

Merk: LED-indikatoren på Bluetooth®-knappen blinker sakte grønt når batteriet lader. LED-indikatoren på Bluetooth®-knappen lyser fast grønt når batteriet er fulladet.

Slik starter du produktet

- Trykk på og hold inne på/av-knappen i 1 sekund.

Merk: En pipelyd forteller deg at produktet er på. En lydmelding forteller deg batteristatus og antall enheter som er koblet til Bluetooth® med trådløs teknologi.

Lydmelding
BATTERY HIGH
BATTERY MEDIUM
BATTERY LOW
BATTERY CRITICAL

Slik kobler du til den eksterne mikrofonen

Bruk en ekstern mikrofon i miljøer med mye støy.

1. Fest vindfilteret på den eksterne mikrofonen.
2. Koble den eksterne mikrofonen til mikrofonutgangen på høyre øreklokke. (Fig. 17)
3. Plasser den eksterne mikrofonen 1 cm / 0,4 tommer (A) fra munnen.

Lydmelding	LED-indikator på Bluetooth®-knappen
ONE BLUETOOTH DEVICES CONNECTED	LED-lampen er blå.
TWO BLUETOOTH DEVICES CONNECTED	

Slik skifter du mellom FM-radio-modus og Bluetooth®-modus

- Trykk på modus-knappen raskt to ganger for å skifte mellom FM-radio-modus og Bluetooth®-modus.

Merk: En lydmelding forteller deg hvilken modus du har valgt. Se tabellen nedenfor.

Lydmelding
RADIO
BLUETOOTH

FM-radio-modus

I FM-radio-modus får du tilgang til FM-radio.

Slik bytter du FM-radiostasjon

- Trykk på og hold inne volum opp-knappen eller volum ned-knappen i ett sekund for å bytte FM-radiostasjon.

Bluetooth®-modus

I Bluetooth®-modusen kan du koble produktet til en enhet med trådløs Bluetooth®-teknologi.

Slik utfører du en Bluetooth®-sammenkobling

1. Trykk på og hold inne Bluetooth®-knappen og foroverknappen i to sekunder for å starte sammenkoblingen av produktet.

Merk: Sammenkoblingen starter når du hører en pipelyd og Bluetooth®-knappen blinker blått. Sammenkoblingsfunksjonen er på i 30 sekunder.

2. Start sammenkoblingen for trådløs Bluetooth®-teknologi på enheten.
3. Om nødvendig må du velge Husqvarna X-COM Active i listen over enheter på produktet ditt.

Merk: En lydmelding forteller deg om statusen til produktet. Se tabellen nedenfor.

Lydmelding	LED-indikator på Bluetooth®-knappen	Informasjon
BLUETOOTH DEVICE CONNECTED	Fast blått.	Produktet er koblet til en enhet med trådløs Bluetooth®-teknologi.
BLUETOOTH CONNECTION FAILED	Fast rødt i to sekunder.	Produktet er ikke koblet til en enhet med trådløs Bluetooth®-teknologi.

Merk: En enhet med trådløs Bluetooth®-teknologi som er koblet til produktet ditt, kobles automatisk til produktet ditt neste gang produktet brukes med enheten.

Slik endrer du lydstrømming

- Trykk på og hold inne volum opp-knappen i 0,5 sekunder for å velge neste lydstrømming.
- Trykk på og hold inne volum ned-knappen i 0,5 sekunder for å gå tilbake til forrige lydstrømming.

Slik stopper eller starter du lydstrømmingen

- Trykk på modus-knappen for å stoppe eller starte lydstrømmingen.

Slik godtar, avslutter eller avviser du et telefonanrop

Hvis mobilenheten er koblet til produktet med trådløs Bluetooth®-teknologi, høres et signal i øreklokkene ved et innkommende anrop.

- Trykk på modus-knappen for å godta eller avslutte telefonanropet.

- Trykk på modus-knappen i ett sekund for å avvise et innkommende anrop.

Merk: En pipelyd varsler deg når telefonsamtalen er godtatt eller avvist.

Lydmelding	Informasjon
CALL ENDED	Telefonsamtalen er avsluttet.

Slik justerer du volumet

- Trykk på volum opp- eller volum ned-knappen for å justere volumet. En pipelyd varsler deg når volumet er på minimums- eller maksimumsnivå.

Slik angir du til modus for omgivelseslyd

Med modus for omgivelseslyd, kan du høre lydene rundt deg.

- Trykk på knappen for omgivelseslyd.

Merk: En lydmelding forteller deg statusen for omgivelseslydmodus.

Lydmelding
AMBIENT LEVEL HIGH
AMBIENT LEVEL MEDIUM
AMBIENT LEVEL LOW
AMBIENT LEVEL OFF

Slik stopper du produktet

- Trykk på og hold inne på/av-knappen i 1 sekund.

Merk: En lydmelding informerer deg om batteristatus, og LED-indikatorene slukkes. En pipelyd forteller deg at produktet er av.

Slik stopper du produktet med makt

- Trykk på og hold inne på/av-knappen i 12 sekunder.

Vedlikehold

Slik utfører du vedlikehold på produktet



OBS: Ikke spyl produktet eller legg det i vann.



OBS: Spray, væske eller andre rengjøringsmidler som inneholder løsemidler og/eller alkohol, kan svekke beskyttelsesegenskapene.



OBS: Bruk Husqvarna originale reservedeler.

1. Rengjør produktet regelmessig. Bruk en klut med vann og mild såpe.
2. Sjekk tilstanden til tetningsringene og skumgummiinnleggene før hver gangs bruk.
3. Skift ut tetningsringene og skumgummiinnleggene hver sjettede måned, eller oftere om nødvendig. Kontroller at luftehullet på tetningsringen vender nedover under montering. Bruk det originale hygienesettet som inneholder tetningsringene og skumgummiinnleggene. Se www.husqvarna.com for mer informasjon om hygienesettet. (Fig. 19)

Merk: Hvis øreklokkene er våte på innsiden, må du la dem tørke i parkeringsposisjonen. Se *Slik setter du øreklokkene i parkeringsposisjon på side 142.*

4. Bytt ut membranen for talemikrofonen hvis den er skadet.
5. Bytt ut vindfilteret for den nivåavhengige mikrofonen hvis det er skadet.
6. Bytt ut vindfilteret på den eksterne mikrofonen hvis det er skadet.
7. Bytt ut Comfort Pad på hodebåndet hvis det er nødvendig. (Fig. 20)

Transport, oppbevaring og avhending

Transport og oppbevaring



OBS: Under transport og oppbevaring, bør du sette øreklokkene i bruksposisjon for å redusere slitasje på plastmaterialet.

- Sett øreklokkene i bruksposisjon. Se *Slik setter du øreklokkene i driftsposisjon på side 141.*
- Pass på at tetningsringene ikke presses sammen.
- Plasser produktet på et tørt og rent sted.
- Produktet må holdes unna sollys ved oppbevaring.
- Lad batteriet én gang hver sjettede uke for å opprettholde kvaliteten på batteriet.

- Legg produktet på et trygt sted under transport.

Kassering

- Følg nasjonale forskrifter.
- Bruk det lokale gjenvinningsssystemet.
- Produktet og produktemballasjen er ikke restavfall. Resirkuler det på et gjenvinningsanlegg for elektrisk og elektronisk utstyr.



Tilbehør

Godkjente hjelmer

Bruk produktet kun med hjelmene nedenfor.

Modell	Type hjelmtilbehør	Adaptergrafikk	Godkjente dimensjoner
Husqvarna Technical, H300	Adapter H300	(Fig. 21)	M/L
Husqvarna Spire	Adapter Spire	(Fig. 22)	L
KASK Zenith X			

Tekniske data

Tekniske data

Se illustrasjonene som følger, for tekniske data om hvert produkt. Du finner flere tekniske data i tillegget om tekniske data i denne brukerhåndboken.

(Fig. 2)

(Fig. 3)

Hvis du vil ha mer informasjon om innholdet i de tekniske dataene, kan du se listen som følger:

- F = frekvensen dempingen ble målt ved.
- Mf = gjennomsnittsverdi.
- Sf = standardavvik.
- APV (Mf-Sf) = antatt beskyttelsesverdi.
- H = dempingsverdi ved høy frekvens (antatt støynivåreduksjon for støy der $L_C - L_A = -2$ dB).
- M = dempingsverdi ved middels frekvens (antatt støynivåreduksjon for støy der $L_C - L_A = +2$ dB).
- L = dempingsverdi ved lav frekvens (antatt støynivåreduksjon for støy der $L_C - L_A = +10$ dB).

- SNR = Single Number Rating (klassifisering i tall) (Verdien som trekkes fra det målte C-vektede lydtryknivået, L_C , for å anslå det effektive A-vektede lydtryknivået inne i øret).

Ansvarlig produsent: Husqvarna AB, SE-561 82 Huskvarna, Sverige, tlf: +46 36 146500.

Lydnivå

FM-radio-modusen og Hodetelefon-modusen har et maksimal ekvivalent lydnivå på 82 dB(A).

Materialer

Del	Materiale	Del	Materiale
Indre øreklokke	ABS	Hodebøyle	POM+TPE
Ytre øreklokke, venstre	ABS	Hjelmgaffel	PA66GF30
Ytre øreklokke, høyre	ABS+TPE	Hjelmgaffelfjær	Stål
Innlegg	LIL	Skruer	Stål
Tetningsringer	ABS+TPE		

SPIS TREŚCI

Wstęp.....	146	Transport, przechowywanie i utylizacja.....	152
Bezpieczeństwo.....	147	Akcesoria.....	152
Montaż.....	148	Dane techniczne.....	152
Przeznaczenie.....	149	Załącznik	229
Przegląd.....	151		

Wstęp

Opis produktu

Produkt X-SYNC (HP500BT-01, HP500BT-02) jest ochronnikiem słuchu ze zintegrowaną komunikacją pełnodupleksową, *technologią bezprzewodową*

Przegląd produktu

(Rys. 1)

1. Przycisk dźwięku otoczenia
2. Mikrofon z regulacją poziomu
3. Przycisk Bluetooth®
4. Mikrofon rozmów
5. Przycisk trybu
6. Gniazdo kabla ładowarki USB-C
7. Przycisk zwiększania głośności
8. Przycisk zmniejszania głośności
9. Przycisk Wł./Wył.
10. Wyjście mikrofonu pałkowego

Zgodność i normy

Niniejszym Husqvarna AB, SE-561 82 Huskvarna, Sweden, tel: +46-36-146500, oświadcza, że typ urządzenia radiowego HP500BT-01 i HP500BT-02 jest zgodny z dyrektywami 2014/53/EU, 2011/65/EU i rozporządzeniem (EU) 2016/425. Rozporządzenie 2016/425 w sprawie środków ochrony indywidualnej, w brzmieniu zmienionym mającym zastosowanie w Wielkiej Brytanii. Kompletna treść deklaracji zgodności z wymogami UE i deklaracji zgodności z wymogami Wielkiej Brytanii są dostępne na stronie internetowej: www.husqvarna.com; należy wyszukać X-SYNC, HP500BT-01, HP500BT-02.

Wartości tłumienia i poziomów hałasu produktu zostały przetestowane i zatwierdzone zgodnie z normami: EN 352-1:2020 (pałak), EN 352-3:2020 (mocowanie na kasku), EN 352-4:2020, EN 352-6:2020 i EN 352-8:2020.

Jednostka notyfikowana oceniająca zgodność: Numer organu notyfikowanego 1974. PZT GmbH, Bismarckstraße 264 B, 26389 Wilhelmshaven, Germany.

Zatwierdzony numer organu notyfikowanego w Wielkiej Brytanii 0321. SATRA Technology Centre, Wyndham

Bluetooth® i radiem FM. Model HP500BT-01 to ochronnik słuchu z pałakiem, a model HP500BT-02 to ochronnik słuchu do kasku. Produkt zapewnia ochronę przed szkodliwym hałasem.

Way, Telford Way, Kettering, Northamptonshire, NN16 8SD, UK.

Certyfikacja i monitorowanie przez PZT.

Akumulator jest zgodny z normą IEC62133, wersja 2.



UK Importer:
Husqvarna UK Ltd
Preston Road, Co. Durham
DL5 6UP

FCC ID: ZASHP500BT, IC ID: 23307-HP500BT

Deklaracja zgodności FCC dostawcy dla podmiotu odpowiedzialnego HP500BT-01, HP500BT-02.

Husqvarna Professional Products, Inc. 9335 Harris Corners Parkway Suite 500 Charlotte, NC 28269 Stany Zjednoczone.

Dane kontaktowe (Stany Zjednoczone): Michael Campbell, kierownik ds. zgodności produktów, telefon: +1 704 597 5000.

Oświadczenie o zgodności z wymogami FCC

Urządzenie jest zgodne z wymogami FCC, część 15. Użytkowanie jest dozwolone pod dwoma następującymi warunkami: (1) Urządzenie nie może powodować zakłóceń; (2) urządzenie musi akceptować wszelkie odbierane zakłócenia, w tym zakłócenia mogące powodować niepożądane działanie urządzenia.

Urządzenie zostało przetestowane i uznane za kompatybilne z ograniczeniami dla klasy B urządzenia cyfrowego, zgodnie z wymogami FCC część 15. Niniejsze ograniczenia zostały określone w celu zapewnienia odpowiedniej ochrony przed szkodliwymi zakłóceniami w instalacjach mieszkalnych. Niniejsze urządzenie generuje, wykorzystuje i może emitować energię o częstotliwości radiowej oraz, jeśli nie jest używane zgodnie z niniejszymi instrukcjami, może powodować zakłócenia odbioru w systemach komunikacji radiowej. Nie można jednak zagwarantować, że w przypadku konkretnej instalacji zakłócenia nie wystąpią. Jeśli urządzenie powoduje szkodliwe zakłócenia odbioru sygnału radiowego lub telewizyjnego, co można sprawdzić włączając je i wyłączając, zachęca się użytkowników do podjęcia próby zmniejszenia tych zakłóceń za pomocą następujących środków:

- Zwiększenie odległości pomiędzy urządzeniem i odbiornikiem.
- Aby uzyskać pomoc, należy skontaktować się z dealerem.

Oznaczenie na produkcie można znaleźć po zdjęciu pierścienia uszczelniającego i gumowej wkładki piankowej na prawym nauszniku.

Zawiera układ scalony modułu nadajnika: 12246A-BM64S2

Używanie tego urządzenia zgodnie z przepisami Industry Canada dotyczącymi sprzętu radiowego (RSS)

nie wymaga uzyskania zezwolenia. Użytkowanie jest dozwolone pod dwoma następującymi warunkami: (1) urządzenie nie może powodować zakłóceń; (2) urządzenie musi akceptować wszelkie odbierane zakłócenia, w tym zakłócenia mogące powodować niepożądane działanie urządzenia.

W związku z przepisami Industry Canada ten nadajnik radiowy może działać tylko z wykorzystaniem anteny, której typ i maksymalne (lub mniejsze) wzmocnienie sygnału zostało zatwierdzone dla danego nadajnika przez Industry Canada. Aby ograniczyć zakłócenia radiowe innych użytkowników, typ anteny i wzmocnienie sygnału musi zostać wybrane w taki sposób, aby równoważna moc promieniowana izotropowo (EIRP) nie była wyższa, niż jest to wymagane do bezproblemowej komunikacji.

Oznaczenie na produkcie można znaleźć po zdjęciu pierścienia uszczelniającego i gumowej wkładki piankowej na prawym nauszniku.

Zarejestrowane znaki handlowe

Nazwa handlowa *Bluetooth®* i logo są zastrzeżonymi znakami towarowymi stanowiącymi własność *Bluetooth SIG, inc.* Każde wykorzystanie takich znaków przez Husqvarna odbywa się w ramach umowy licencyjnej.

Bezpieczeństwo

Definicje dotyczące bezpieczeństwa

Ostrzeżenia, uwagi i informacje są używane do zwrócenia uwagi na szczególnie ważne sekcje instrukcji obsługi.



OSTRZEŻENIE: Jest używane, gdy istnieje ryzyko poważnych obrażeń, śmierci operatora lub uszkodzenia otoczenia w wyniku nieprzestrzegania instrukcji obsługi.



UWAGA: Jest używane, gdy istnieje ryzyko uszkodzenia materiałów lub urządzenia w wyniku nieprzestrzegania instrukcji obsługi.

Uwaga: Stosuje się, aby przekazać więcej informacji, które są przydatne w danej sytuacji.

Ogólne zasady bezpieczeństwa



OSTRZEŻENIE: Przed rozpoczęciem użytkowania produktu przeczytać następujące ostrzeżenia.

- Stosować się do niniejszych instrukcji i zachować je w celu wykorzystania w przyszłości.
- Aby zapewnić optymalne dopasowanie i działanie, upewnić się, że wybrano produkt odpowiedni dla danego zastosowania.
- Nie wymieniać ani nie usuwać części z produktu. Zmiany należy wprowadzać wyłącznie w sposób określony w instrukcji użytkownika.
- W przypadku nieprzestrzegania wytycznych zawartych w niniejszej instrukcji obsługi tłumienie hałasu ulegnie znacznemu pogorszeniu. Nauszniki, a szczególnie poduszeczki, mogą się zużywać, dlatego należy je regularnie sprawdzać pod kątem pęknięć i uszkodzeń. Patrz *Przegląd na stronie 151*.
- Niektóre substancje chemiczne mogą wpływać negatywnie na ten produkt. Więcej informacji można uzyskać u producenta. Trzymać z dala od agresywnych substancji i regularnie czyścić produkt.

Używać ściereczki nasączonej wodą z mydłem. Nie myć ani nie zanurzać w wodzie.

- Wszystkie prace serwisowe i naprawcze muszą zostać wykonane przez autoryzowany warsztat serwisowy. Używać wyłącznie Husqvarna oryginalnych części zamiennych.
- Nigdy nie używać nauszników dłużej niż 10 lat od daty produkcji umieszczonej na opakowaniu.
- Działanie produktu może ulec pogorszeniu wraz ze zużyciem baterii.

Instrukcje bezpieczeństwa dotyczące obsługi

- W głośnym środowisku nauszniki powinny być noszone przez cały czas.
- Zachować szczególną ostrożność i słuchać sygnałów ostrzegawczych podczas użytkowania produktu. Poziom hałas powodowany sygnałami ostrzegawczymi można zmniejszyć podczas eksploatacji produktu.
- Słyszalność sygnałów ostrzegawczych w określonym miejscu pracy może być zakłócona w przypadku korzystania z funkcji rozrywkowych.
- Upewnić się, że produkt nie uderzy w żadne przedmioty podczas transportu i użytkowania.
- Używać produktu tylko w temperaturze od -20°C do +55°C. Jeśli produkt będzie użytkowany w innych temperaturach, może to spowodować uszkodzenie podzespołów elektronicznych, akumulatora lub części mechanicznych.
- Przed rozpoczęciem użytkowania produktu należy poznać sposób jego obsługi. Jeśli produkt jest uszkodzony, należy skontaktować się z centrum serwisowym. Nie otwierać obudowy!
- Dopasowanie nakładek higienicznych do poduszeczek może wpływać na wydajność nauszników. Zawsze należy korzystać z oryginalnych akcesoriów.

- Nie nakładać nauszników na skorupę kasku. W takim przypadku może to powodować występowanie pęknięć z boku kasku.

(Rys. 4)

- Nie przechowywać produktu w temperaturze przekraczającej +55°C, np. na desce rozdzielczej. Nie przechowywać produktu w temperaturze poniżej -20°C.
- Użytkownik powinien zadbać o to, by nauszniki były poprawnie nałożone, dopasowane i konserwowane zgodnie z wytycznymi zawartymi w niniejszej instrukcji obsługi.
- Nauszniki są wyposażone w bezpieczne wejście audio. Przed użyciem nauszników należy sprawdzić prawidłowość ich działania. Jeżeli występują zniekształcenia lub usterki, użytkownik powinien zasięgnąć rady producenta w celu konserwacji.

Zasady bezpieczeństwa związane z akumulatorem

- Nauszniki są wyposażone w funkcję regulowanego tłumienia. Przed użyciem należy sprawdzić prawidłowość działania. Jeżeli występują zniekształcenia lub usterki, użytkownik powinien postępować zgodnie z instrukcjami producenta w celu konserwacji.
- Niniejszy produkt zawiera akumulator oraz podzespoły elektryczne, które mogą spowodować zapłon w środowiskach łatwopalnych lub wybuchowych. Nie wolno używać w środowiskach, gdzie iskry mogą spowodować pożar lub wybuch.
- Ładować produkt tylko w temperaturze od 0°C do +40°C. Ładowanie poza tym zakresem temperatur może uszkodzić podzespoły elektroniczne i akumulator.

Montaż

Wstęp



OSTRZEŻENIE: Przed założeniem produktu odsunąć włosy na bok. Przed rozpoczęciem korzystania z produktu upewnić się, że pierścienie uszczelniające odpowiednio przylegają do głowy i uszu.

Zakładanie nauszników z pałąkiem

1. Umieścić pałąk na czubku głowy.
2. Przesunąć nauszniki w górę lub w dół w celu wyregulowania wysokości. (Rys. 5)

Mocowanie nauszników do kasku

1. Zamontować odpowiedni typ mocowania adaptera do skorupy kasku. Patrz *Zatwierdzone kaski na stronie 152*.
2. Zamontować widełki kasku na adapterze mocowania. (Rys. 6)

Uwaga: Patrz *Zatwierdzone kaski na stronie 152*, aby uzyskać więcej informacji na temat dopasowania mocowania do danego kasku.

3. Przesunąć nauszniki do najniższego położenia.
4. Podnosić nauszniki, aż do zablokowania w położeniu gotowości. (Rys. 7)
5. Oznaczyć kabel.

- a) W przypadku kasku H300 wykonać oznaczenie w odległości 27 cm/11 cali (Y) od każdego nausznika.
 - b) W przypadku kasku Spire Vent X wykonać oznaczenie w odległości 14,5 cm/6 cali (Y) od każdego nausznika. (Rys. 8)
6. Umieścić mocowanie kasku w gnieździe na kasku. (Rys. 9)
 7. Kontynuować wykonywanie instrukcji montażu dotyczących zatwierdzonego kasku.



UWAGA: Upewnij się, że kabel nie został skręcony oraz że jest delikatnie wygięty. Upewnij się, że kabel porusza się swobodnie w otworze kasku.

Mocowanie nauszników do kasku H300

1. Odłączyć uprząż od kasku. (Rys. 10)
2. Zamocować kabel do otworów za pomocą opasek kablowych lub zacisków. (Rys. 11)
3. W przypadku mocowania kabla za pomocą opasek kablowych przeciąć opaskę i wcisnąć jej blokadę do bocznego otworu.
4. Utworzyć pętlę z kabla i zamocować uprząż oraz osłonę szyjną. Upewnij się, że kabel znajduje się między skorupą kasku i uprzężą. (Rys. 12)

Mocowanie nauszników do kasku Spire Vent X

1. Umieścić kabel w tylnej pętli.
2. Zamocować kabel do uprząży za pomocą opasek kablowych. Zamocować opaskę kablową poprzez tylny pasek pałąka.

3. Uciąć opaskę kablową.
4. Umieścić pozostałą część kabla w pętli od tyłu, za tylną częścią pałąka. (Rys. 13)

Ustawienie nauszników w pozycji roboczej

1. Założyć kask na głowę.
2. Regulować nauszniki, aż będą odpowiednio przylegały do uszu i do głowy. (Rys. 14)

Ustawianie nauszników w pozycji gotowości

- Podnosić nauszniki, aż do zablokowania w położeniu gotowości. (Rys. 15)

Ustawianie nauszników w pozycji spoczynkowej

1. Ustawić nauszniki w pozycji spoczynkowej. Patrz *Ustawianie nauszników w pozycji gotowości na stronie 149.*
2. Obrócić nauszniki do tyłu wzdłuż boku kasku, aż do zablokowania w pozycji spoczynkowej. (Rys. 16)

Podłączanie mikrofonu pałąkowego

Mikrofonu pałąkowego należy używać w środowisku o wysokim poziomie hałasu.

1. Przymocować filtr wiatru do mikrofonu pałąkowego.
2. Podłączyć mikrofon pałąkowy do wyjścia mikrofonu na prawym nauszniku. (Rys. 17)
3. Ustawić mikrofon pałąkowy w odległości 1 cm/0,4 cala (A) od ust.

Przeznaczenie

Wstęp



OSTRZEŻENIE: Przed użyciem urządzenia należy przeczytać ze zrozumieniem rozdział poświęcony bezpieczeństwu.

Ładowanie produktu

1. Podłączyć złącze USB-C kabla ładowarki do wyjścia na lewym nauszniku. (Rys. 18)
2. Podłączyć złącze USB kabla ładowarki do ładowarki USB lub innego portu zasilania USB.

Uwaga: Moc wyjściowa źródła zasilania musi wynosić 5 V i 2 A, aby możliwe było ładowanie przy maksymalnej wydajności.

Uwaga: Kontrolka LED na przycisku Bluetooth® miga powoli na zielono podczas ładowania akumulatora. Gdy akumulator jest w pełni naładowany, kontrolka LED na przycisku Bluetooth® świeci się stale na zielono.

Uruchamianie produktu

- Nacisnąć i przytrzymać przycisk Wł./Wył. przez 1 sekundę.

Uwaga: Sygnał dźwiękowy informuje, że urządzenie jest włączone. Komunikat dźwiękowy informuje o stanie akumulatora i liczbie urządzeń podłączonych za pomocą technologii przewodowej Bluetooth®.

Komunikat dźwiękowy

BATTERY HIGH

Komunikat dźwiękowy
BATTERY MEDIUM
BATTERY LOW
BATTERY CRITICAL

Komunikat dźwiękowy	Kontrolka LED na przycisku Bluetooth®
ONE BLUETOOTH DEVICE CONNECTED	Dioda LED świeci na niebiesko.
TWO BLUETOOTH DEVICES CONNECTED	

Przełączanie się z trybu radia FM na tryb Bluetooth®

- Nacisnąć szybko 2 razy przycisk zmiany trybu, aby przełączyć się z trybu radia FM na tryb Bluetooth®.

Uwaga: Komunikat dźwiękowy informuje o wybranym trybie. Należy zapoznać się z poniższą tabelą.

Komunikat dźwiękowy
RADIO
BLUETOOTH

Tryb radia FM

W trybie radia FM można uzyskać dostęp do radia FM.

Zmiana stacji radiowej FM

- Nacisnąć i przytrzymać przycisk zwiększania lub zmniejszania głośności przez 1 sekundę, aby zmienić stację radiową FM.

Tryb Bluetooth®

W trybie Bluetooth® urządzenie może nawiązać połączenie z innym urządzeniem obsługującym technologię bezprzewodową Bluetooth®.

Proces parowania Bluetooth®

- Nacisnąć i przytrzymać przycisk Bluetooth® przez 2 sekundy, aby rozpocząć parowanie urządzenia.

Uwaga: Proces parowania rozpoczyna się po usłyszeniu sygnału dźwiękowego i mignięciu przycisku Bluetooth® na niebiesko. Proces parowania jest włączony przez 30 sekund.

- Aktywować proces parowania poprzez technologię bezprzewodową Bluetooth® w urządzeniu.

- Jeśli jest to konieczne, wybrać Husqvarna X-COM Active z listy jednostek w urządzeniu.

Uwaga: Komunikat dźwiękowy informuje o stanie urządzenia. Należy zapoznać się z poniższą tabelą.

Komunikat dźwiękowy	Kontrolka LED na przycisku Bluetooth®	Informacja
BLUETOOTH DEVICE CONNECTED	Ciągle niebieskie światło.	Produkt jest podłączony do urządzenia poprzez technologię bezprzewodową Bluetooth®.
BLUETOOTH CONNECTION FAILED	Ciągle czerwone światło przez 2 sekundy.	Produkt nie jest podłączony do urządzenia poprzez technologię bezprzewodową Bluetooth®.

Uwaga: Urządzenie obsługujące łączność bezprzewodową Bluetooth®, z którym nawiązano połączenie, automatycznie połączy się następnym razem z tym urządzeniem.

Zmiana strumieniowego przesyłania dźwięku

- Nacisnąć i przytrzymać przycisk zwiększania głośności przez 0,5 sekundy, aby wybrać następną kanał strumieniowego przesyłania dźwięku.
- Nacisnąć i przytrzymać przycisk zmniejszania głośności przez 0,5 sekundy, aby powrócić do poprzedniego kanału strumieniowego przesyłania dźwięku.

Zatrzymywanie i rozpoczynanie strumieniowego przesyłania dźwięku

- Nacisnąć przycisk zmiany trybu, aby zatrzymać lub rozpocząć strumieniowe przesyłanie dźwięku.

Odbieranie, kończenie i odrzucanie połączenia telefonicznego

Jeśli urządzenie mobilne jest połączone z produktem za pomocą łączności bezprzewodowej Bluetooth®, w nausznikach słychać sygnał przychodzącego połączenia telefonicznego.

- Nacisnąć przycisk trybu, aby odebrać lub zakończyć połączenie telefoniczne.
- Nacisnąć i przytrzymać przycisk trybu przez 1 sekundę, aby odrzucić przychodzące połączenie telefoniczne.

Uwaga: Sygnał dźwiękowy informuje o odebraniu lub odrzuceniu połączenia telefonicznego.

Komunikat dźwiękowy	Informacja
CALL ENDED	Połączenie telefoniczne zostało zakończone.

Regulacja głośności

- Nacisnąć przycisk zwiększania lub zmniejszania głośności, aby dostosować głośność. Sygnał dźwiękowy informuje o osiągnięciu najniższego lub najwyższego poziomu głośności.

Ustawianie trybu dźwięku otoczenia

Tryb dźwięku otoczenia umożliwia słuchanie dźwięków dobiegających z otoczenia.

- Nacisnąć przycisk dźwięku otoczenia.

Uwaga: Komunikat dźwiękowy informuje o stanie trybu dźwięku otoczenia.

Komunikat dźwiękowy

AMBIENT LEVEL HIGH

AMBIENT LEVEL MEDIUM

AMBIENT LEVEL LOW

AMBIENT LEVEL OFF

Wyłączanie produktu

- Nacisnąć i przytrzymać przycisk Wł./Wył. przez 1 sekundę.

Uwaga: Komunikat dźwiękowy informuje o stanie akumulatora, a kontrolki LED zgasną. Sygnał dźwiękowy informuje, że urządzenie jest wyłączone.

Wymuszone zatrzymanie pracy produktu

- Nacisnąć i przytrzymać przycisk Wł./Wył. przez 12 sekund.

Przegląd

Konserwacja produktu



UWAGA: Nie splukiwać produktu ani nie zanurzać go w wodzie.



UWAGA: Spraye, płyny lub inne środki czyszczące zawierające rozpuszczalniki i/lub alkohol mogą obniżyć właściwości ochronne.



UWAGA: Używać wyłącznie oryginalnych części zamiennych Husqvarna.

- Należy regularnie czyścić produkt. Używać ściereczki i wody z odrobiną mydła.
- Przed każdym użyciem przeprowadzić kontrolę stanu pierścieni uszczelniających i gumowych wkładek piankowych.
- Wymieniać pierścienie uszczelniające i gumowe wkładki piankowe co 6 miesięcy lub częściej w razie konieczności. Upewnić się, że podczas montażu otwór wentylacyjny na punktach pierścienia uszczelniającego jest skierowany w dół. Używać oryginalnego zestawu higienicznego, który zawiera pierścienie uszczelniające i gumowe wkładki z pianki. Informacje na temat zestawu higienicznego można znaleźć na stronie www.husqvarna.com. (Rys. 19)

Uwaga: Jeśli nauszniki są mokre po stronie wewnętrznej, poczekać na ich wyschnięcie w położeniu spoczynkowym. Patrz *Ustawianie nauszników w pozycji spoczynkowej na stronie 149*.

- Wymienić membranę mikrofonu mowy, jeśli jest uszkodzona.
- Wymienić filtr wiatru mikrofonu z regulacją poziomu, jeśli jest uszkodzony.
- Wymienić filtr wiatru mikrofonu pałkowego, jeśli jest uszkodzony.
- Wymienić poduszeczkę Comfort Pad pałaka, jeśli jest to konieczne. (Rys. 20)

Transport, przechowywanie i utylizacja

Transport i przechowywanie



UWAGA: Podczas transportu i przechowywania należy ustawić nauszniki w położeniu roboczym, aby ograniczyć zużycie tworzywa sztucznego.

- Ustawić nauszniki w pozycji roboczej. Patrz *Ustawienie nauszników w pozycji roboczej na stronie 149*.
- Upewnić się, że pierścienie uszczelniające nie są ściśnięte.
- Należy umieścić produkt w suchym i czystym miejscu.
- Podczas przechowywania nie należy wystawiać produktu na działanie promieni słonecznych.
- Ładować akumulator co 6 tygodni, aby utrzymać jego pojemność na odpowiednim poziomie.

- Umieścić produkt w bezpiecznym miejscu na czas transportu.

Utylizacja

- Należy przestrzegać krajowych przepisów.
- Należy użyć lokalnego systemu recyklingu.
- Tego produktu ani opakowania nie można traktować jak odpadów domowych. Należy poddawać je recyklingowi w zatwierdzonym punkcie zbiórki sprzętu elektrycznego i elektronicznego.



Akcesoria

Zatwierdzone kaski

Używać produktu tylko w połączeniu z kaskami przedstawionymi poniżej.

Model	Typ mocowania kasku	Rysunek adaptera	Zatwierdzone wymiary
Husqvarna Technical, H300	Adapter H300	(Rys. 21)	M/L
Husqvarna Spire	Adapter Spire	(Rys. 22)	L
KASK Zenith X			

Dane techniczne

Dane techniczne

Dane techniczne każdego produktu znajdują się na następujących ilustracjach. Więcej danych technicznych

(Rys. 2)
(Rys. 3)

Więcej informacji na temat zawartości danych technicznych można znaleźć na poniższej liście:

- F = częstotliwości, przy których mierzone jest tłumienie.
- Mf = wartość średnia.
- Sf = odchylenie standardowe.
- APV (Mf-Sf) = zakładana wartość ochrony.

można znaleźć w arkuszu danych technicznych załączonym do niniejszej instrukcji obsługi.

- H = wartość tłumienia wysokich częstotliwości (przewidywane zmniejszenie poziomu hałasu, gdzie $L_C-L_A = -2$ dB). M = wartość tłumienia średnich częstotliwości (przewidywane zmniejszenie poziomu hałasu, gdzie $L_C-L_A = +2$ dB). L = wartość tłumienia niskich częstotliwości (przewidywane zmniejszenie poziomu hałasu, gdzie $L_C-L_A = +10$ dB).

- SNR = klasyfikacja jednoliczbowa (wartość odjęta od ważonego poziomu dźwięku C, L_C w celu oszacowania efektywnego ważonego poziomu dźwięku A wewnątrz ucha).

Producent odpowiedzialny: Firma Husqvarna AB,
SE-561 82 Huskvarna, Szwecja, tel.: +46-36-146500.

Poziom głośności

Tryb radia FM i tryb zestawu słuchawkowego cechują się maksymalnym poziomem dźwięku wynoszącym 82 dB (A).

Materiały

Część	Materiał	Część	Materiał
Wewnętrzna nakładka uszna	ABS	Pałak	POM+TPE
Zewnętrzna nakładka uszna, lewa	ABS	Widelec kasku	PA66GF30
Zewnętrzna nakładka uszna, prawa	ABS+TPE	Sprężyna widelca kasku	Stal
Wkładki	PUR	Śruby	Stal
Pierścienie uszczelniające	ABS+TPE		

ÍNDICE

Introdução.....	154	Transporte, armazenamento e eliminação.....	160
Segurança.....	155	Acessórios.....	160
Montagem.....	156	Especificações técnicas.....	160
Funcionamento.....	157	Anexo	229
Manutenção.....	159		

Introdução

Descrição do produto

O produto X-SYNC (HP500BT-01, HP500BT-02) é um protetor acústico com comunicação full-duplex integrada, *tecnologia Bluetooth® sem fios* e rádio FM.

Vista geral do produto

(Fig. 1)

1. Botão de som ambiente
2. Microfone dependente do nível
3. Botão Bluetooth®
4. Microfone de voz
5. Botão de modo
6. Saída do cabo do carregador USB-C
7. Botão de aumento do volume
8. Botão de diminuição do volume
9. Botão ON/OFF
10. Saída do microfone de cabeça

Conformidade e aprovações

A Husqvarna AB, SE-561 82 Huskvarna, Sweden, tel: +46-36-146500, declara pelo presente que os tipos de equipamento de rádio HP500BT-01 e HP500BT-02 estão em conformidade as diretivas 2014/53/EU, 2011/65/EU e com o regulamento (EU) 2016/425. Regulamento 2016/425 relativo ao equipamento de proteção pessoal, conforme alterado para ser aplicado na Grã-Bretanha. O texto completo da declaração UE de conformidade e da declaração de conformidade do Reino Unido está disponível no seguinte endereço da Internet: www.husqvarna.com; pesquisar "X-SYNC, HP500BT-01, HP500BT-02".

Os valores de atenuação e os níveis de ruído do produto foram testados e aprovados de acordo com: EN 352-1:2020 (fita para a cabeça), EN 352-3:2020 (montagem no capacete), EN 352-4:2020, EN 352-6:2020 e EN 352-8:2020.

Organismo notificado envolvido na avaliação da conformidade: Número da entidade notificada 1974. PZT GmbH, Bismarckstraße 264 B, 26389 Wilhelmshaven, Germany.

Número da entidade aprovada no Reino Unido: 0321. SATRA Technology Centre, Wyndham Way, Telford Way, Kettering, Northamptonshire, NN16 8SD, UK.

O modelo HP500BT-01 é um protetor acústico com fita para a cabeça e o modelo HP500BT-02 é um protetor acústico para capacete. O produto proporciona proteção contra ruídos nocivos.

Certificação e monitorização pela PZT.

A bateria está certificada de acordo com a norma IEC62133, edição 2.



UK Importer:
Husqvarna UK Ltd
Preston Road, Co. Durham
DL5 6UP

ID FCC: ZASHP500BT, IC ID: 23307-HP500BT

Declaração de conformidade dos fornecedores da FCC para a parte responsável HP500BT-01, HP500BT-02.

Husqvarna Professional Products, Inc. 9335 Harris Corners Parkway Suite 500 Charlotte, NC 28269, Estados Unidos da América.

Informações de contacto dos EUA: Michael Campbell, Gestor de conformidade do produto, Telefone: +1 704 597 5000.

Declaração de conformidade da FCC:

Este dispositivo está em conformidade com a parte 15 das Normas da FCC. O funcionamento está sujeito às duas condições seguintes: (1) Este dispositivo pode não provocar interferências nocivas, e (2) este dispositivo tem de aceitar quaisquer interferências recebidas, incluindo interferências que possam provocar um funcionamento não pretendido.

Este equipamento foi testado e está em conformidade com os limites de um dispositivo digital de Classe B, de acordo com a parte 15 das Normas da FCC. Estes limites foram concebidos para proporcionar uma proteção razoável contra interferências nocivas em instalações residenciais. Este equipamento gera, utiliza e pode irradiar energia de radiofrequência e, se não for instalado e utilizado de acordo com as instruções, pode causar interferência nociva às comunicações via rádio. No entanto, não é possível garantir que não ocorrerão interferências numa determinada instalação. Se este equipamento causar interferências nocivas na recepção de rádio ou televisão, o que pode ser determinado desligando e ligando o equipamento, o utilizador é aconselhado a tentar corrigir a interferência através de uma ou mais das seguintes medidas:

- Aumente a distância entre o equipamento e o recetor.
- Para obter assistência, consulte o revendedor.

É possível encontrar as marcações do produto, se retirar o vedante circular e o perfil de espuma de borracha no protetor auricular direito.

Contém módulo transmissor IC: 12246A-BM64S2

Este dispositivo cumpre a(s) norma(s) RSS isentas de licença do Ministério da Indústria do Canadá.

O funcionamento está sujeito às duas condições seguintes: (1) este dispositivo não pode causar interferências e (2) este dispositivo tem de aceitar qualquer interferência, incluindo interferências que possam causar um funcionamento não pretendido do dispositivo.

Segundo os regulamentos do Ministério da Indústria do Canadá, este transmissor de rádio apenas poderá funcionar utilizando uma antena de um tipo e um ganho máximo (ou mínimo) aprovados para o transmissor pelo Ministério da Indústria do Canadá. Para reduzir a possibilidade de interferência com outros utilizadores, o tipo de antena e o respetivo ganho têm de ser escolhidos de modo a que a potência isotrópica radiada equivalente (e.i.r.p.) não seja superior ao necessário para uma comunicação bem-sucedida.

É possível encontrar as marcações do produto, se retirar o vedante circular e o perfil de espuma de borracha no protetor auricular direito.

Marcas comerciais registadas

A palavra e os logótipos *Bluetooth®* são marcas comerciais registadas propriedade da *Bluetooth SIG, inc.* e qualquer utilização de tais marcas pela Husqvarna é feita mediante licença.

Segurança

Definições de segurança

Os avisos, as precauções e as notas são utilizados para indicar partes especialmente importantes do manual.



ATENÇÃO: Utilizado no caso de existir risco de ferimento ou morte para o utilizador ou transeuntes, se não forem respeitadas as instruções do manual.



CUIDADO: Utilizado se existir risco de danos para o produto, para outros materiais ou para a área adjacente, se não forem respeitadas as instruções do manual.

Nota: Utilizado para disponibilizar informações adicionais necessárias numa determinada situação.

Segurança geral



ATENÇÃO: Leia as instruções de aviso que se seguem antes de utilizar o produto.

- Utilize e guarde estas instruções.

- Para um ajuste e funcionamento ideais, certifique-se de que selecionou o produto correto para a utilização que pretende.
- Não altere ou retire partes do produto. Realize apenas as alterações indicadas neste manual do utilizador.
- A atenuação do ruído do produto é gravemente prejudicada se não seguir as instruções indicadas neste manual do utilizador. Os protetores auriculares, em especial os almofadados, podem deteriorar-se com a sua utilização, devendo ser examinados em intervalos frequentes para detetar possíveis fissuras e fugas. Consulte *Manutenção na página 159*.
- Este produto pode ser afetado adversamente por determinadas substâncias químicas. Para mais informações, contacte o fabricante. Mantenha o produto afastado de substâncias agressivas e limpe-o regularmente. Utilize um pano com água e sabão. Não lave o produto nem o coloque totalmente dentro de água.
- Todos os trabalhos de manutenção e reparação têm de ser realizados por uma oficina aprovada. Utilize sempre peças sobresselentes originais Husqvarna.
- Nunca utilize os protetores auriculares durante mais de 10 anos a contar da data de fabrico indicada na embalagem.
- A funcionalidade do produto pode deteriorar-se com o consumo da bateria.

Instruções de segurança para funcionamento

- O utilizador deve certificar-se de que os protetores auriculares são sempre utilizados em ambientes ruidosos.
- Tenha mais cuidado e esteja mais atento a sinais de aviso quando estiver a utilizar o produto. O ruído dos sinais de aviso pode ser atenuado durante a utilização do produto.
- A audibilidade dos sinais de aviso em locais de trabalho específicos pode ser prejudicada durante a utilização da unidade de entretenimento.
- Certifique-se de que o produto não é atingido durante o transporte e utilização do mesmo.
- Utilize o produto apenas a temperaturas compreendidas entre os -20 °C e os +55 °C. Utilizar o produto a outras temperaturas pode resultar em danos nos componentes eletrónicos, mecânicos e da bateria.
- Certifique-se de que sabe como utilizar o produto antes de o utilizar. Caso o produto se encontre danificado, contacte o seu revendedor com assistência técnica. Não abra a estrutura!
- A colocação de coberturas higiénicas nas almofadas pode afetar o desempenho acústico dos protetores auriculares. Utilize sempre acessórios originais.
- Não pressione os protetores auriculares contra o casco do capacete. Se o fizer, poderá provocar fissuras nas partes laterais do capacete.

(Fig. 4)

- Não armazene o produto a temperaturas superiores a +55 °C, por exemplo num painel de navegação. Não armazene o produto a temperaturas inferiores a -20 °C.
- O utilizador deve certificar-se de que os protetores auriculares são instalados, ajustados e mantidos de acordo com este manual do utilizador.
- O protetor auricular é fornecido com uma entrada de áudio relacionada com a segurança. O utilizador deve verificar o funcionamento correto antes da utilização. Se for detetada distorção ou avaria, o utilizador deve consultar as orientações do fabricante para manutenção.

Segurança da bateria

- O protetor auricular é fornecido com atenuação em função do nível. O utilizador deve verificar o funcionamento correto antes da utilização. Se for detetado um mau funcionamento ou uma falha, o utilizador deve seguir as instruções do fabricante para a manutenção.
- O produto contém bateria e componentes elétricos que podem resultar em ignição quando em ambientes inflamáveis ou explosivos. Não utilize o produto em ambientes em que as faíscas possam provocar um incêndio ou uma explosão.
- Carregue o produto apenas a temperaturas num intervalo entre 0 °C e +40 °C. Carregar a temperaturas fora deste intervalo pode danificar o sistema eletrónico e a bateria.

Montagem

Introdução



ATENÇÃO: Mova o cabelo para o lado antes de colocar o produto. Certifique-se de que os vedantes circulares estão bem apertados na cabeça e em redor das suas orelhas antes de utilizar o produto.

Colocar os protetores auriculares com a fita para a cabeça

1. Coloque a fita para a cabeça na parte superior da sua cabeça.
2. Desloque os protetores auriculares para cima ou para baixo para ajustar a altura. (Fig. 5)

Instalar os protetores auriculares num capacete

1. Instale o tipo correto de fixação do adaptador no casco do capacete. Consulte *Capacetes aprovados na página 160*.

2. Coloque a forquilha do capacete no adaptador de fixação. (Fig. 6)

Nota: Consulte *Capacetes aprovados na página 160* para obter mais informações sobre que acessórios de capacete são aplicáveis ao seu capacete.

3. Desloque os protetores auriculares para a posição mais baixa.
4. Levante os protetores auriculares para cima e para fora até que encaixem na posição de espera. (Fig. 7)
5. Efetue uma marca no cabo.
 - a) Para o capacete H300, efetue uma marca a 27 cm/11 pol. (X) de cada protetor auricular.
 - b) Para o capacete Spire Vent X, efetue uma marca a 14,5 cm/6 pol. (Y) de cada protetor auricular. (Fig. 8)
6. Coloque o acessório do capacete na ranhura do capacete. (Fig. 9)
7. Continue a seguir as instruções de montagem do seu capacete aprovado.



CUIDADO: Certifique-se de que o cabo não se encontra torcido nem dobrado. Certifique-se de que o cabo se pode mover suavemente na abertura do capacete.

Instalar os protetores auriculares no capacete H300

1. Solte o arnês para a cabeça do capacete. (Fig. 10)
2. Fixe o cabo aos orifícios com os grampos ou as abraçadeiras. (Fig. 11)
3. Se fixar o cabo com abraçadeiras, corte a abraçadeira e coloque o bloqueio da mesma na ranhura lateral.
4. Curve o cabo e fixe o arnês para a cabeça e a proteção do pescoço. Certifique-se de que o cabo se encontra entre o casco do capacete e o arnês para a cabeça. (Fig. 12)

Instalar os protetores auriculares no capacete Spire Vent X

1. Coloque o cabo curvado para trás.
2. Fixe o cabo ao arnês para a cabeça com abraçadeiras. Fixe as abraçadeiras através da correia traseira da fita para a cabeça.
3. Corte a braçadeira.
4. Coloque a parte restante do cabo curvada para trás, atrás da fita para a testa. (Fig. 13)

Colocar os protetores auriculares na posição de funcionamento

1. Coloque o capacete na cabeça.

2. Ajuste os protetores auriculares até que estejam justos à volta das orelhas e da cabeça. (Fig. 14)

Colocar os protetores auriculares na posição de espera

- Levante os protetores auriculares para cima e para fora até que encaixem na posição de espera. (Fig. 15)

Colocar os protetores auriculares na posição de repouso

1. Coloque os protetores auriculares na posição de espera. Consulte *Colocar os protetores auriculares na posição de espera na página 157*.
2. Vire os protetores auriculares para trás ao longo da lateral do capacete até que encaixem na posição de repouso. (Fig. 16)

Ligar o microfone de cabeça

Utilize um microfone de cabeça em ambientes com bastante ruído.

1. Fixe o filtro de vento ao microfone de cabeça.
2. Ligue o microfone de cabeça à saída para microfone do protetor auricular direito. (Fig. 17)
3. Coloque o microfone de cabeça a uma distância de 1 cm (0,4 pol.) (A) da boca.

Funcionamento

Introdução



ATENÇÃO: Antes de utilizar o produto, tem ler e compreender o capítulo sobre segurança.

Carregar o produto

1. Ligue o conector USB-C do cabo do carregador à saída no protetor auricular esquerdo. (Fig. 18)
2. Ligue o conector USB do cabo do carregador a um carregador USB ou a outra tomada de alimentação USB.

Nota: A saída da tomada de alimentação tem de ser de 5 V e 2 A para carregar até à capacidade máxima.

Nota: O indicador LED no botão Bluetooth® pisca lentamente a verde quando a bateria está

a carregar. O indicador LED no botão Bluetooth® apresenta uma luz verde contínua quando a bateria está totalmente carregada.

Arrancar o produto

- Mantenha pressionado o botão On/Off durante 1 segundo.

Nota: Um sinal sonoro indica que o produto está ligado. Uma mensagem de áudio indica o estado da bateria e a quantidade de dispositivos ligados através da tecnologia Bluetooth® sem fios.

Mensagem de áudio
BATTERY HIGH
BATTERY MEDIUM
BATTERY LOW

Mensagem de áudio
BATTERY CRITICAL

Mensagem de áudio	Indicador LED no botão Bluetooth®
ONE BLUETOOTH DEVICE CONNECTED	O LED fica azul.
TWO BLUETOOTH DEVICES CONNECTED	

Alternar entre o modo de rádio FM e o modo Bluetooth®

- Pressione o botão Mode durante 2 segundos para alternar entre o modo de rádio FM e o modo Bluetooth®.

Nota: Uma mensagem de áudio indica o modo que selecionou. Consulte a tabela a seguir.

Mensagem de áudio
RADIO
BLUETOOTH

Modo de rádio FM

No modo de rádio FM tem acesso ao rádio FM.

Mudar de estação de rádio FM

- Mantenha premido o botão de aumento do volume ou o botão de diminuição do volume durante 1 segundo para mudar a estação de rádio FM.

Modo Bluetooth®

No modo Bluetooth® pode ligar o seu produto a um dispositivo com tecnologia Bluetooth® sem fios.

Realizar uma operação de emparelhamento por Bluetooth®

1. Pressione o botão Bluetooth® e o botão de avanço e mantenha-os pressionados durante 2 segundos para iniciar a operação de emparelhamento do seu produto.

Nota: A operação de emparelhamento começa quando se ouve um sinal sonoro e o botão Bluetooth® pisca a azul. A operação de emparelhamento é ativada durante 30 segundos.

2. Inicie a operação de emparelhamento da tecnologia Bluetooth® sem fios no dispositivo.
3. Se necessário, selecione "Husqvarna X-COM Active" na lista de unidades do seu dispositivo.

Nota: Uma mensagem de áudio indica o estado do produto. Consulte a tabela a seguir.

Mensagem de áudio	Indicador LED no botão Bluetooth®	Informação
BLUETOOTH DEVICE CONNECTED	Continuamente aceso a azul.	O produto está ligado a um dispositivo com tecnologia Bluetooth® sem fios.
BLUETOOTH CONNECTION FAILED	Continuamente aceso a vermelho durante 2 segundos.	O produto não está ligado a um dispositivo com tecnologia Bluetooth® sem fios.

Nota: Qualquer dispositivo com tecnologia Bluetooth® sem fios que se encontre ligado ao seu produto irá ligar-se automaticamente a este da próxima vez que o utilizar em conjunto com o mesmo.

Alterar a transmissão de áudio

- Mantenha premido o botão de aumento do volume durante 0,5 segundos para selecionar a próxima transmissão de áudio.
- Mantenha premido o botão de diminuição do volume durante 0,5 segundos para voltar para a transmissão de áudio anterior.

Parar ou iniciar a transmissão de áudio

- Pressione o botão Mode para parar ou iniciar a transmissão de áudio.

Aceitar, terminar ou rejeitar uma chamada telefónica

Se o seu dispositivo móvel estiver ligado ao produto com tecnologia Bluetooth® sem fios, ouve-se um sinal nos protetores auriculares quando é recebida uma chamada telefónica.

- Pressione o botão Mode para aceitar ou terminar a chamada telefónica.
- Pressione o botão Mode durante 1 segundo para rejeitar uma chamada telefónica recebida.

Nota: É emitido um sinal sonoro quando a chamada telefónica é aceite ou rejeitada.

Mensagem de áudio	Informação
CALL ENDED	A chamada telefónica terminou.

Ajustar o volume

- Pressione o botão de aumento do volume ou o botão de diminuição do volume para ajustar o volume. Um sinal sonoro indica-lhe quando o volume está no nível mínimo ou máximo.

Definir o modo de som ambiente

O modo de som ambiente permite-lhe ouvir os sons circundantes.

- Pressione o botão de som ambiente.

Nota: Uma mensagem de áudio indica o estado do modo de som ambiente.

Mensagem de áudio
AMBIENT LEVEL HIGH
AMBIENT LEVEL MEDIUM

Mensagem de áudio

AMBIENT LEVEL LOW

AMBIENT LEVEL OFF

Parar o produto

- Mantenha pressionado o botão On/Off durante 1 segundo.

Nota: Uma mensagem de áudio indica o estado da bateria, e os indicadores LED apagam-se. Um sinal sonoro indica que o produto está desligado.

Forçar a paragem do produto

- Mantenha pressionado o botão On/Off durante 12 segundos.

Manutenção

Efetuar a manutenção do produto



CUIDADO: Não verta água no produto nem o coloque totalmente dentro de água.



CUIDADO: Os sprays, líquidos ou outros agentes de limpeza que contenham solventes e/ou álcool podem diminuir a função de proteção.



CUIDADO: Utilize peças sobresselentes originais Husqvarna.

1. Limpe regularmente o produto. Utilize um pano e uma solução de sabão diluída.
2. Verifique o estado dos vedantes circulares e dos perfis de espuma de borracha antes de cada utilização.
3. Substitua os vedantes circulares e os perfis de espuma de borracha a cada 6 meses ou com maior frequência, se necessário. Certifique-se de que o orifício de ar no vedante circular está voltado para baixo durante a montagem. Utilize o kit de higiene original que inclui os anéis de vedação e os perfis de espuma de borracha. Consulte www.husqvarna.com para obter mais informações sobre o kit de higiene. (Fig. 19)

Nota: Se a parte interior dos protetores auriculares se encontrar molhada, deixe-os secar na posição de repouso. Consulte *Colocar os protetores auriculares na posição de repouso na página 157*.

4. Substitua a membrana do microfone de voz, se estiver danificada.
5. Substitua o filtro de vento do microfone dependente do nível, se estiver danificado.
6. Substitua o filtro de vento do microfone de cabeça, se estiver danificado.
7. Substitua a almofada de conforto da fita para a cabeça, se necessário. (Fig. 20)

Transporte, armazenamento e eliminação

Transporte e armazenamento



CUIDADO: Durante o transporte e o armazenamento, coloque os protetores auriculares na posição de funcionamento para diminuir o desgaste do material de plástico.

- Coloque os protetores auriculares na posição de utilização. Consulte *Colocar os protetores auriculares na posição de funcionamento na página 157*.
- Certifique-se de que os vedantes circulares não se encontram comprimidos.
- Coloque o produto num local seco e limpo.
- Mantenha o produto afastado da exposição à luz solar durante o armazenamento.

- Carregue a bateria a cada 6 semanas para conservar a qualidade da mesma.
- Durante o transporte, coloque o produto num local seguro.

Eliminação

- Respeite os regulamentos nacionais.
- Utilize o sistema de reciclagem local.
- O produto ou a respetiva embalagem não são resíduos domésticos. Recicle o equipamento numa estação de reciclagem para equipamentos elétricos e eletrónicos.



Acessórios

Capacetes aprovados

Utilize o produto apenas com os capacetes abaixo indicados.

Modelo	Tipo de acessório para capacete	Gráfico do adaptador	Dimensões aprovadas
Husqvarna Technical, H300	Adaptador H300	(Fig. 21)	M/L
Husqvarna Spire	Adaptador Spire	(Fig. 22)	L
KASK Zenith X			

Especificações técnicas

Especificações técnicas

Consulte as ilustrações que se seguem para obter as especificações técnicas de cada produto. Para obter

(Fig. 2)

(Fig. 3)

Para obter mais informações sobre o conteúdo das especificações técnicas, consulte a lista que se segue:

- F = Frequências às quais é medida a atenuação.
- Mf = Valor médio.
- Sf = Desvio padrão.
- APV (Mf-Sf) = Valor de proteção assumido.

mais dados técnicos, consulte a folha de especificações técnicas anexa deste manual do utilizador.

- H = Valor de atenuação de alta frequência (redução do nível previsto de ruído para ruídos em que $L_C - L_A = -2$ dB). M = Valor de atenuação de média frequência (redução do nível previsto de ruído para ruídos em que $L_C - L_A = +2$ dB). L = Valor de atenuação de baixa frequência (redução do nível previsto de ruído para ruídos em que $L_C - L_A = +10$ dB).

- SNR = Classificação de Número Único (valor que é subtraído ao nível de pressão sonora ponderado C medido, L_C , para determinar o nível sonoro ponderado A efetivo no interior do ouvido).

Fabricante responsável: A Husqvarna AB, SE-561 82 Huskvarna, Suécia, tel.: +46-36-146500.

Nível sonoro

O modo de rádio FM e o modo auricular têm um nível sonoro máximo equivalente de 82 dB (A).

Materiais

Peça	Material	Peça	Material
Parte interior do auscultador	ABS	Tira para a cabeça	POM+TPE
Parte exterior do auscultador, lado esquerdo	ABS	Forquilha do capacete	PA66GF30
Parte exterior do auscultador, lado direito	ABS+TPE	Mola da forquilha do capacete	Aço
Inserções	ROXO	Parafusos	Aço
Vedantes de anel	ABS+TPE		

CUPRINS

Introducere.....	162	Transportul, depozitarea și eliminarea.....	167
Siguranță.....	163	Accesorii.....	168
Asamblarea.....	164	Date tehnice.....	168
Funcționarea.....	165	Anexă	229
Întreținerea.....	167		

Introducere

Descrierea produsului

Produsul X-SYNC (HP500BT-01, HP500BT-02) este o protecție pentru auz cu comunicare full-duplex integrată, *Bluetooth® tehnologie wireless* și radio FM. Modelul

Prezentare generală a produsului

(Fig. 1)

1. Buton pentru sunet ambient
2. Microfon dependent de nivel
3. Butonul Bluetooth®
4. Microfon pentru vorbire
5. Butonul mod
6. Mufă pentru cablul încărcătorului USB-C
7. Buton creștere volum
8. Buton reducere volum
9. Buton ON/OFF (Pornire/oprire)
10. Mufă microfon cu braț

Conformitate și aprobări

Prin prezentul document, Husqvarna AB, SE-561 82 Huskvarna, Sweden, tel: +46-36-146500 declară că tipul de echipamente radio HP500BT-01 și HP500BT-02 este conform cu 2014/53/EU, 2011/65/EU și cu reglementarea (EU) 2016/425. Reglementarea 2016/425 privind echipamentul individual de protecție, după cum a fost modificată pentru a se aplica în GB. Textul integral al declarației de conformitate UE și al declarației de conformitate din UK este disponibil la următoarea adresă de internet: www.husqvarna.com; căutați X-SYNC, HP500BT-01, HP500BT-02.

Valorile de atenuare și nivelurile de zgomot ale produsului sunt testate și aprobate în conformitate cu: EN 352-1:2020 (bandă de susținere pe cap), EN 352-3:2020 (montată pe cască), EN 352-4:2020, EN 352-6:2020 și EN 352-8:2020.

Organismul notificat implicat în evaluarea de conformitate este: Număr organism notificat 1974. PZT GmbH, Bismarckstraße 264 B, 26389 Wilhelmshaven, Germany.

Număr organism aprobat în UK 0321. SATRA Technology Centre, Wyndham Way, Telford Way, Kettering, Northamptonshire, NN16 8SD, UK.

Certificare și monitorizare de PZT.

HP500BT-01 este o protecție pentru auz cu bandă de susținere pe cap și modelul HP500BT-02 este o protecție pentru auz pentru cască. Produsul oferă protecție împotriva zgomotelor dăunătoare.

Bateria este omologată în conformitate cu IEC62133 ediția 2.



UK Importer:
Husqvarna UK Ltd
Preston Road, Co. Durham
DL5 6UP

FCC ID: ZASHP500BT, IC ID: 23307-HP500BT

Declarația de conformitate a furnizorilor FCC pentru partea responsabilă HP500BT-01, HP500BT-02.

Produse profesionale Husqvarna, Inc. 9335 Harris Corners Parkway Suite 500 Charlotte, NC 28269 Statele Unite ale Americii.

Datei de contact pentru SUA: Michael Campbell, Director conformitatea produselor, Telefon: +1 704 597 5000.

Declarație de Conformitate FCC:

Acest dispozitiv este conform cu Partea 15 din Regulamentele FCC. Funcționarea sa face obiectul următoarelor două condiții: (1) acest dispozitiv nu poate provoca interferențe dăunătoare și (2) acest dispozitiv trebuie să accepte orice interferențe primite, inclusiv interferențele care pot provoca o funcționare nedorită.

Acest echipament a fost testat și declarat în conformitate cu limitele pentru un dispozitiv digital de clasă B, conform reglementărilor FCC, partea 15. Aceste limite

au fost concepute pentru a furniza protecție rezonabilă împotriva interferențelor dăunătoare pentru o instalație în mediu rezidențial. Echipamentul generează, utilizează și poate radia energie de radio frecvență, iar dacă nu este instalat și utilizat conform instrucțiunilor, poate provoca interferențe dăunătoare asupra comunicațiilor radio. Cu toate acestea, nu se poate garanta că acest fapt poate avea loc pentru o instalare anume. Dacă acest echipament provoacă interferență dăunătoare asupra recepției semnalelor de radio sau televiziune, care poate fi verificată prin oprirea și repornirea echipamentului, utilizatorul este încurajat să încerce corectarea interferenței prin luarea următoarelor măsuri:

- Mărirea distanței de separare dintre echipament și receptor.
- Consultați distribuitorul pentru ajutor.

Marcajul de pe produs poate fi găsit dacă înlăturați inelul de etanșare și inserția din spumă de cauciuc de pe casca pentru urechea dreaptă.

Conține modulul de transmîțător IC: 12246A-BM64S2

Acest dispozitiv este conform cu standardele RSS de frecvențe fără licență din Canada. Funcționarea

se face obiectul următoarelor două condiții: (1) acest dispozitiv nu poate provoca interferențe; și (2) acest dispozitiv trebuie să accepte orice interferențe, inclusiv interferențele care pot provoca o funcționare nedorită a dispozitivului.

Conform reglementărilor autorităților din domeniu din Canada, acest transmîțător radio poate funcționa numai cu ajutorul unei antene de tipul și cu amplificarea maximă (sau mai mică) aprobată pentru transmîțător de autoritățile din domeniu din Canada. Pentru a reduce eventualele interferențe radio la adresa altor utilizatori, tipul antenei și amplificarea acesteia trebuie alese astfel încât puterea echivalentă radiată izotrop (e.i.r.p.) să nu fie mai mare decât valoarea necesară pentru comunicații de succes.

Marcajul de pe produs poate fi găsit dacă înlăturați inelul de etanșare și inserția din spumă de cauciuc de pe casca pentru urechea dreaptă.

Mărci comerciale înregistrate

Marca și siglele *Bluetooth*[®] sunt mărci comerciale înregistrate ale *Bluetooth SIG, inc.*, iar utilizarea lor de către Husqvarna se face sub licență.

Siguranță

Definiții privind siguranța

Avertismentele, atenționările și notele sunt utilizate pentru a desemna părți foarte importante din manual.



AVERTISMENT: Se utilizează dacă există risc de vătămare sau de deces pentru operator sau pentru trecători, în cazul în care instrucțiunile din manual nu sunt respectate.



ATENȚIE: Se utilizează dacă există un risc de deteriorare a produsului, a altor materiale sau a zonelor învecinate, dacă instrucțiunile din manual nu sunt respectate.

Nota: Se utilizează pentru a furniza mai multe informații care sunt necesare într-o situație dată.

Siguranța generală



AVERTISMENT: Înainte de a utiliza produsul, citiți instrucțiunile de avertizare de mai jos.

- Utilizați și păstrați aceste instrucțiuni.
- Pentru confort și funcționare optime, asigurați-vă că ați selectat produsul corect pentru utilizarea proprie.

- Nu schimbați și nu eliminați piese de pe produs. Efectuați numai modificările care se regăsesc în acest manual al operatorului.
- Atenuarea zgomotului produsului poate fi serios afectată dacă nu urmați instrucțiunile din acest manual al operatorului. Câștile pentru ureche și, în special, pernuțele se pot deteriora prin utilizare și trebuie examinate la intervale frecvente pentru a se depista fisurile și scurgerile. Consultați *Întreținerea la pagina 167*.
- Acest produs poate fi afectat negativ de anumite substanțe chimice. Solicitați informații suplimentare de la producător. Feriți produsul de substanțele agresive și curățați-l periodic. Utilizați o lavetă cu apă și săpun. Nu spălați și nu scufundați complet în apă.
- Toate lucrările de service și reparații trebuie efectuate de un atelier de service aprobat. Utilizați doar piese de schimb originale Husqvarna.
- Nu utilizați niciodată căști pentru urechi mai mult de 10 ani de la data de fabricație indicată pe ambalaj.
- Funcționalitatea produsului se poate diminua pe măsură ce se consumă bateria.

Instrucțiuni de siguranță pentru utilizare

- Purtătorul trebuie să se asigure de purtarea în permanență în medii zgomotoase a căștilor pentru urechi.
- Fiți mai prudenți și ascultați dacă există semnale de avertizare atunci când utilizați produsul. Zgomotul provenit de la semnalele de avertizare poate fi redus atunci când utilizați produsul.

- Auditabilitatea semnalelor de avertizare la respectivul loc de muncă poate fi afectată în timpul utilizării funcției de divertisment.
- Asigurați-vă că produsul nu este supus loviturilor în timpul transportului și al utilizării.
- Utilizați produsul numai la temperaturi cuprinse între -20 °C și +55 °C. Dacă utilizați produsul la alte temperaturi, aceasta poate cauza deteriorarea componentelor electronice, a bateriei și a pieselor mecanice.
- Asigurați-vă că știți cum să utilizați produsul înainte de utilizare. Contactați reprezentantul de service dacă produsul prezintă deteriorări. Nu deschideți carcasa!
- Aplicarea capacelor igienice pe pernuțe poate afecta performanța acustică a căștilor pentru urechi. Utilizați întotdeauna accesoriile originale.
- Nu apăsați căștile pentru ureche pe scutul căștii de protecție. Dacă faceți acest lucru, pot fi cauzate fisuri în jurul părții laterale a căștii de protecție.

(Fig. 4)

- Nu depozitați produsul la temperaturi peste +55 °C, de exemplu pe un panou de bord. Nu depozitați produsul la temperaturi sub -20 °C.
- Purtătorul trebuie să se asigure de purtarea, reglarea și întreținerea căștilor pentru urechi în conformitate cu acest manual al operatorului.

Siguranța bateriei

- Casca pentru ureche este prevăzută cu atenuare în funcție de nivel. Utilizatorul trebuie să verifice funcționarea corectă înainte de utilizare. Dacă sunt detectate defecte sau disfuncții, utilizatorul trebuie să urmeze indicațiile pentru întreținere ale producătorului.
- Produsul conține bateria și componente electrice care ar putea produce aprinderea în medii inflamabile sau explozive. Nu le utilizați în medii în care scântelele pot provoca incendii sau explozii.
- Încărcați produsul numai în intervalul de temperatură 0 °C - +40 °C. Încărcarea în afara intervalului de temperatură poate deteriora componentele electronice și bateria.

Asamblarea

Introducere



AVERTISMENT: Dați-vă părul într-o parte înainte de a asambla produsul. Asigurați-vă că inelele de etanșare sunt strânse pe cap și în jurul urechilor înainte de a utiliza produsul.

Pentru fixarea căștilor pentru urechi cu banda de fixare pe cap

1. Plasați banda de fixare pe cap pe creștetul capului.
2. Pentru a ajusta înălțimea, deplasați căștile pentru urechi în sus sau în jos. (Fig. 5)

Pentru a monta căștile pentru urechi pe o cască de protecție

1. Asamblați tipul de accesoriu corect pentru adaptorul de pe scutul căștii. Consultați *Căștii de protecție aprobate la pagina 168*.
2. Asamblați furca căștii pe adaptorul cu accesoriu. (Fig. 6)

Nota: Consultați *Căștii de protecție aprobate la pagina 168* pentru mai multe informații despre

accesoriul căștii de protecție care se aplică în cazul căștii dvs. de protecție.

3. Montați căștile pentru urechi în poziția cea mai coborâtă.
4. Ridicați căștile pentru urechi până când se blochează în poziția de stand-by. (Fig. 7)
5. Faceți un semn pe cablu.
 - a) Pentru casca de protecție H300, faceți un semn de 27 cm/11 in (X) la distanță de fiecare cască pentru ureche.
 - b) Pentru casca de protecție Spire Vent X, faceți un semn de 14,5 cm/6 in (Y) la distanță de fiecare cască pentru ureche. (Fig. 8)
6. Așezați accesoriul pentru casca de protecție în fanta de pe casca de protecție. (Fig. 9)
7. Continuați cu instrucțiunile de asamblare pentru casca de protecție aprobată.



ATENȚIE: Cablul nu trebuie să fie răsucit sau să aibă o mică rază de îndoire. Cablul trebuie să se poată mișca fără probleme în orificiul căștii de protecție.

Pentru a monta căștile pentru ureche pe casca de protecție H300

1. Eliberați hamul pentru cap de pe casca de protecție. (Fig. 10)
2. Atașați cablul la orificii cu colierele pentru cabluri sau cleme. (Fig. 11)
3. Dacă prindeți cablul folosind coliere, tăiați colierul pentru cablu și apăsați elementul de blocare al acestuia în slotul lateral.
4. Faceți o buclă a cablului și atașați hamul pentru cap și protecția pentru gât. Cablul trebuie să se afle între scutul căștii de protecție și hamul pentru cap. (Fig. 12)

Pentru a monta căștile pentru ureche pe casca de protecție Spire Vent X

1. Așezați cablul într-o buclă posterioară.
2. Atașați cablul la hamul pentru cap cu colierele pentru cabluri. Atașați colierul pentru cablu prin cureaua posterioară a benzii de fixare pe cap.
3. Tăiați colierul pentru cablu.
4. Așezați partea rămasă a cablului într-o buclă posterioară, în spatele benzii de fixare pe ceafă. (Fig. 13)

Așezarea căștilor pentru ureche în poziția de funcționare

1. Așezați casca de protecție pe cap.

2. Reglați căștile pentru urechi până când acestea sunt strânse în jurul urechilor și pe cap. (Fig. 14)

Pentru a pune căștile pentru urechi în poziția de standby

- Ridicați căștile pentru urechi până când se blochează în poziția de stand-by. (Fig. 15)

Pentru a pune căștile pentru urechi în poziția de repaus

1. Puneți căștile pentru urechi în poziția de standby. Consultați *Pentru a pune căștile pentru urechi în poziția de standby la pagina 165.*
2. Rotiți căștile pentru urechi spre partea din spate de-a lungul părții laterale a căștii de protecție până când acestea se blochează în poziția de repaus. (Fig. 16)

Conectarea microfonului cu braț

Utilizați un microfon cu braț în mediile cu mult zgomot.

1. Atașați filtrul de vânt pe microfonul cu braț.
2. Conectați microfonul cu braț la ieșirea microfonului de pe casca pentru urechea dreaptă. (Fig. 17)
3. Poziționați microfonul cu braț la distanță de 1 cm/0,4 in. (A) de gură.

Funcționarea

Introducere



AVERTISMENT: Înainte de a utiliza produsul, trebuie să citiți și să înțelegeți capitoul privind siguranța.

Încărcarea produsului

1. Conectați conectorul USB-C de pe cablul încărcătorului la mufa de pe casca pentru urechea stângă. (Fig. 18)
2. Conectați conectorul USB de pe cablul de încărcare la un încărcător prin USB sau la altă mufă de alimentare USB.

Nota: Mufa de alimentare trebuie să aibă valorile de 5 V și 2 A pentru a încărca la capacitate maximă.

Nota: Indicatorul cu LED de pe butonul Bluetooth® se aprinde intermitent lent verde când bateria se încarcă. Indicatorul cu LED de pe butonul Bluetooth® rămâne aprins verde continuu când bateria este încărcată complet.

Pornirea produsului

- Apăsați și țineți apăsat butonul ON/OFF (Pornire/Oprire) timp de 1 secundă.

Nota: Un semnal sonor vă indică faptul că produsul este pornit. Un mesaj audio vă anunță care este starea bateriei și câte dispozitive sunt conectate prin tehnologia Bluetooth® wireless.

Mesaj audio

BATTERY HIGH

BATTERY MEDIUM

BATTERY LOW

BATTERY CRITICAL

Mesaj audio	Indicatorul cu LED de pe butonul Bluetooth®
ONE BLUETOOTH DEVICE CONNECTED	LED-ul este albastru.
TWO BLUETOOTH DEVICES CONNECTED	

Pentru a comuta între modul de radio FM și modul Bluetooth®

- Apăsăți butonul pentru modul rapid de 2 ori pentru a comuta între modul de radio FM și modul Bluetooth®.

Nota: Mesajul audio vă anunță ce mod ați selectat. Consultați tabelul de mai jos.

Mesaj audio
RADIO
BLUETOOTH

Modul radio FM

În modul radio FM, aveți acces la radioul FM.

Schimbarea postului de radio FM

- Apăsăți și țineți apăsat butonul de mărire sau de reducere a volumului timp de 1 secundă pentru schimbarea postului de radio FM.

Modul Bluetooth®

În modul Bluetooth®, vă puteți conecta produsul la un dispozitiv cu tehnologia wireless Bluetooth®.

Efectuarea unei operații de asociere Bluetooth®

1. Apăsăți și țineți apăsat pe butonul Bluetooth® timp de 2 secunde pentru a începe operația de asociere de pe produs.

Nota: Operația de asociere începe când auziți un semnal sonor și când butonul Bluetooth® se aprinde intermitent în albastru. Operația de asociere este activă 30 de secunde.

2. Începeți operația de asociere pentru tehnologia wireless Bluetooth® pe dispozitiv.
3. Dacă este necesar, selectați Husqvarna X-COM Active din lista de unități de pe dispozitivul dvs.

Nota: Un mesaj audio vă informează cu privire la starea produsului. Consultați tabelul de mai jos.

Mesaj audio	Indicatorul cu LED de pe butonul Bluetooth®	Informații
BLUETOOTH DEVICE CONNECTED	Albastru continuu.	Produsul este conectat la un dispozitiv cu tehnologia wireless Bluetooth®.
BLUETOOTH CONNECTION FAILED	Roșu continuu timp de 2 secunde.	Produsul nu este conectat la un dispozitiv cu tehnologia wireless Bluetooth®.

Nota: Un dispozitiv cu tehnologia wireless Bluetooth®, care este conectat la produsul dvs. se conectează automat la produsul dvs. la următoarea utilizare a produsului cu dispozitivul.

Schimbarea fluxului audio

- Apăsăți și țineți apăsat butonul de mărire a volumului timp de 0,5 secunde, pentru a selecta următorul flux audio.
- Apăsăți și țineți apăsat butonul de reducere a volumului timp de 0,5 secunde, pentru a reveni la fluxul audio anterior.

Oprirea sau pornirea redării în flux audio

- Apăsăți butonul de mod pentru a opri sau a porni redarea în flux audio.

Acceptarea, încheierea sau respingerea unui apel telefonic

Dacă dispozitivul mobil este conectat la un produs cu tehnologie wireless Bluetooth®, se aude un semnal în căștile pentru ureche când primiți un apel telefonic.

- Apăsăți butonul de mod, pentru a accepta sau a încheia apelul telefonic.
- Apăsăți butonul de mod timp de 1 secundă pentru a respinge un apel telefonic primit.

Nota: Un semnal sonor vă anunță când apelul telefonic este acceptat sau respins.

Mesaj audio	Informații
CALL ENDED	Apelul telefonic s-a încheiat.

Reglarea volumului

- Apăsăți butonul de mărire a volumului sau butonul de reducere a volumului pentru a regla volumul. Un semnal sonor vă indică atunci când volumul a ajuns la nivelul minim sau maxim.

Setarea la modul de sunet ambiant

Modul de sunet ambiant vă permite să auziți sunetele din jurul dvs.

- Apăsăți butonul pentru sunet ambiant.

Nota: Un mesaj audio vă informează asupra stării modului pentru sunet ambiant.

Mesaj audio
AMBIENT LEVEL HIGH
AMBIENT LEVEL MEDIUM
AMBIENT LEVEL LOW

Mesaj audio

AMBIENT LEVEL OFF

Oprirea produsului

- Apăsăți și țineți apăsat butonul ON/OFF (Pornire/Oprire) timp de 1 secundă.

Nota: Un mesaj audio vă informează asupra stării bateriei și indicatoarele cu LED se sting. Un semnal sonor vă indică faptul că produsul este oprit.

Oprirea forțată a produsului

- Apăsăți și țineți apăsat butonul ON/OFF (Pornire/Oprire) timp de 12 secunde.

Întreținerea

Întreținerea produsului



ATENȚIE: Nu spălați și nu scufundați produsul complet în apă.



ATENȚIE: Sprayurile, lichidele sau alți agenți de curățare care conțin solvenți și/sau alcool pot reduce funcția de protecție.



ATENȚIE: Utilizați piese de schimb Husqvarna originale.

1. Curățați produsul periodic. Folosiți o lavetă și o soluție slabă de săpun.
2. Verificați starea inelelor de etanșare și a inserțiilor din spumă de cauciuc înainte de fiecare utilizare.
3. Înlocuiți inelele de etanșare și inserțiile din spumă o dată la 6 luni sau mai frecvent dacă este necesar. Asigurați-vă că orificiul cu aer de pe punctele inelului de etanșare este îndreptată în jos în timpul asamblării. Utilizați kitul original de igienizare, care include inelele de etanșare și inserțiile din spumă. Consultați www.husqvarna.com pentru mai multe informații despre kitul de igienizare. (Fig. 19)

Nota: În cazul în care căștile pentru ureche sunt umede pe partea interioară, lăsați-le la uscat în poziția de repaus. Consultați *Pentru a pune căștile pentru urechi în poziția de repaus la pagina 165.*

4. Schimbați membrana microfonului pentru vorbire dacă este deteriorată.
5. Schimbați filtrul de vânt pentru microfonul dependent de nivel dacă este deteriorat.
6. Schimbați filtrul de vânt de pe microfonul cu braț dacă este deteriorat.
7. Înlocuiți pernuța Comfort Pad a benzii de susținere pe cap dacă este necesar. (Fig. 20)

Transportul, depozitarea și eliminarea

Transportul și depozitarea



ATENȚIE: În timpul transportului și a depozitării, poziționați căștile pentru urechi în poziția de funcționare pentru a reduce uzura materialului plastic.

- Puneți căștile pentru urechi în poziția de funcționare. Consultați *Așezarea căștilor pentru ureche în poziția de funcționare la pagina 165.*
- Asigurați-vă că inelele de etanșare nu sunt comprimate.
- Așezați produsul într-un spațiu uscat și curat.
- Nu lăsați produsul în lumina directă a soarelui în timpul depozitării.

- Încărcați bateria o dată la 6 săptămâni pentru a menține calitatea bateriei.
- În timpul transportului, așezați produsul într-un spațiu sigur.

- Nici produsul și nici ambalajul său nu sunt deșeuri menajere. Reciclați la un centru de reciclare pentru echipamente electrice și electronice.



Eliminarea la deșeuri

- Respectați reglementările naționale.
- Utilizați sistemul local de reciclare.

Accesorii

Căști de protecție aprobate

Utilizați produsul numai cu căștile de protecție de mai jos.

Model	Tipul de accesoriu pentru casca de protecție	Schemă adaptor	Dimensiuni aprobate
Husqvarna Technical, H300	Adaptorul H300	(Fig. 21)	M/L
Husqvarna Spire	Adaptorul Spire	(Fig. 22)	L
KASK Zenith X			

Date tehnice

Date tehnice

Consultați ilustrațiile de mai jos pentru datele tehnice ale fiecărui produs. Pentru mai multe date tehnice,

consultați fișa cu datele tehnice din anexa la acest manual al operatorului.

(Fig. 2)
(Fig. 3)

Pentru mai multe informații despre conținutul datelor tehnice, consultați lista de mai jos:

- F = frecvențele la care este măsurată atenuarea.
- Mf = valoarea medie.
- Sf = abatere standard.
- APV (Mf-Sf) = valoarea estimată a protecției.
- H = valoarea de atenuare pentru frecvențe înalte (reducerea nivelului de zgomot prevăzută pentru zgomot unde $L_C-L_A = -2$ dB). M = valoarea de atenuare pentru frecvențe medii (reducerea nivelului de zgomot prevăzută pentru zgomot unde $L_C-L_A = +2$ dB). L = valoarea de atenuare pentru frecvențe

joase (reducerea nivelului de zgomot prevăzută pentru zgomot unde $L_C-L_A = +10$ dB).

- SNR = număr unic nominal (valoarea care este scăzută din nivelul de presiune sonoră ponderată C măsurată, L_C , pentru a estima nivelul de zgomot ponderat efectiv A în ureche.

Producător responsabil: Husqvarna AB, SE-561 82 Huskvarna, Suedia, tel.: +46-36-146500.

Nivel de zgomot

Modul radio FM și modul Headset (Căști) au un nivel maxim de zgomot echivalent de 82 dB (A).

Materiale

Piesă	Material	Piesă	Material
Cupă interioară pentru ureche	ABS	Bandă de fixare pe cap	POM+TPE

Piesă	Material	Piesă	Material
Cupă exterioră pentru ureche, stânga	ABS	Furca destinată căștii de protecție	PA66GF30
Cupă exterioră pentru ureche, dreapta	ABS+TPE	Arcul furcii destinate căștii de protecție	Oțel
Inserții	PUR	Șuruburi	Oțel
Inele de etanșare	ABS+TPE		

Содержание

Введение.....	170	Транспортировка, хранение и утилизация.....	176
Безопасность.....	171	Принадлежности.....	176
Сборка.....	172	Технические данные.....	176
Эксплуатация.....	173	Приложение.....	229
Техническое обслуживание.....	175		

Введение

Описание изделия

Изделие X-SYNC (HP500BT-01, HP500BT-02) представляет собой средство защиты органов слуха со встроенной полнодуплексной связью, *технологией*

беспроводной связи Bluetooth® и FM-радио.

Модель HP500BT-01 представляет собой защитные наушники с оголовьем, а модель HP500BT-02 — защитные наушники, устанавливаемые на шлем. Изделие обеспечивает защиту от вредного шума.

Обзор изделия

(Рис. 1)

1. Кнопка режима окружающего звука
2. Микрофон с шумоподавлением
3. Кнопка Bluetooth®
4. Речевой микрофон
5. Кнопка выбора режима
6. Разъем USB-C кабеля зарядного устройства
7. Кнопка увеличения громкости
8. Кнопка уменьшения громкости
9. Кнопка включения/выключения
10. Разъем для съемного микрофона

Сертификация и мониторинг компанией PZT.

Аккумулятор сертифицирован в соответствии с IEC62133, редакция 2.



UK Importer:
Husqvarna UK Ltd
Preston Road, Co. Durham
DL5 6UP

Соответствие и одобрения

Настоящим Husqvarna AB, SE-561 82 Huskvarna, Sweden, tel: +46-36-146500, заявляет, что тип радиооборудования HP500BT-01 и HP500BT-01 соответствует требованиям 2014/53/EU, 2011/65/EU и нормативам (EU) 2016/425. Требования 2016/425 в отношении средств индивидуальной защиты с внесенными поправками для Великобритании. Полный текст декларации соответствия требованиям ЕС и Великобритании доступен на сайте: www.husqvarna.com; выполните поиск по запросу X-SYNC, HP500BT-01, HP500BT-02.

**Идентификатор FCC: ZASHP500BT,
идентификатор IC: 23307-HP500BT**

**Декларация поставщика о соответствии HP500BT-01,
HP500BT-02 требованиям FCC, ответственная
сторона.**

Husqvarna Professional Products, Inc. 9335 Harris
Corners Parkway Suite 500 Charlotte, NC 28269, США.

Контактное лицо на территории США: Майкл Кэмпбелл (Michael Campbell), руководитель отдела тестирования продукции на соответствие установленным стандартам, тел.: +1 704 597 5000.

Изделие прошло проверку на значения подавления и уровни шума и получило одобрение в соответствии с EN 352-1:2020 (оголовье), EN 352-3:2020 (модель для установки на шлем), EN 352-4:2020, EN 352-6:2020 и EN 352-8:2020.

Уполномоченная организация, проводившая оценку соответствия: Номер уполномоченной организации 1974. PZT GmbH, Bismarckstraße 264 B, 26389 Wilhelmshaven, Germany.

Заявление о соответствии требованиям FCC:

Данное устройство соответствует предписаниям Правил FCC, часть 15. Эксплуатация регламентируется двумя условиями: (1) Устройство не должно вызывать недопустимые помехи, и (2) устройство должно принимать любые полученные помехи, включая помехи, которые могут вызвать сбои в работе.

Номер уполномоченной организации в Великобритании 0321. SATRA Technology Centre, Wyndham Way, Telford Way, Kettering, Northamptonshire, NN16 8SD, UK.

Данное оборудование проверено на соответствие ограничениям для цифрового устройства класса В согласно части 15 Правил FCC. Эти ограничения разработаны для обеспечения надлежащей защиты от недопустимых помех при установке в жилых районах. Данное оборудование генерирует, использует и может излучать радиочастотную энергию, поэтому в случае несоблюдения инструкций по установке и эксплуатации оно может вызвать недопустимые помехи в радиосвязи. Тем не менее, мы не можем гарантировать, что такие помехи не возникнут при установке в конкретных условиях. Если данное оборудование все же вызывает недопустимые помехи при приеме радиосигнала (это можно определить, выключив и снова включив оборудование), пользователь может попытаться устранить помехи одним из следующих способов:

- Увеличьте расстояние между оборудованием и приемником сигнала.
- Обратитесь за помощью в дилерский центр.

Маркировка на изделии расположена под уплотнительным кольцом и поролоновой вставкой на правом наушнике.

Содержит модуль передатчика, идентификационный номер министерства промышленности Канады: 12246A-BM64S2

Данное устройство соответствует стандартам RSS министерства промышленности Канады, не

предусматривающим лицензирование. Эксплуатация регламентируется двумя условиями: (1) устройство не должно вызывать помехи; и (2) устройство должно принимать любые помехи, включая помехи, которые могут вызвать сбои в работе.

Согласно положениям министерства промышленности Канады, данный радиопередатчик может работать только при наличии антенны, тип и максимальный (либо меньший) коэффициент усиления которой утвержден министерством промышленности Канады для передатчиков. Чтобы уменьшить радиопомехи, передаваемые другим пользователям, тип антенны и ее коэффициент усиления должны выбираться таким образом, чтобы эквивалентная мощность изотропного излучения не превышала значений, достаточных для успешного установления связи.

Маркировка на изделии расположена под уплотнительным кольцом и поролоновой вставкой на правом наушнике.

Зарегистрированные товарные знаки

Словесный знак *Bluetooth®* и логотипы являются зарегистрированными товарными знаками, принадлежащими компании *Bluetooth SIG, inc.* Любое использование этих знаков компанией Husqvarna регулируется лицензионным соглашением.

Безопасность

Инструкции по технике безопасности

Предупреждения, предостережения и примечания используются для выделения особо важных пунктов руководства.



ПРЕДУПРЕЖДЕНИЕ:

Используется, когда несоблюдение инструкций руководства может привести к травмам или смерти оператора или находящихся рядом посторонних лиц.



ВНИМАНИЕ: Используется, когда несоблюдение инструкций руководства может привести к повреждению изделия, других материалов или прилегающей территории.

Примечание: Используется для предоставления дополнительных сведений о конкретной ситуации.

Общие правила техники безопасности



ПРЕДУПРЕЖДЕНИЕ: В обязательном порядке прочитайте следующие инструкции по технике безопасности, прежде чем приступить к эксплуатации изделия.

- Сохраните эти инструкции для дальнейшего использования.
- Правильный выбор изделия гарантирует его оптимальное прилегание и функционирование.
- Не заменяйте и не снимайте детали изделия. Допустимыми считаются только те замены, которые указаны в данном руководстве по эксплуатации.
- Несоблюдение инструкций из руководства по эксплуатации может значительно ухудшить шумоподавляющую способность изделия. Наушники, и в частности амбушюры, изнашиваются по мере использования и должны проверяться через короткие промежутки времени на предмет растрескивания и износа. См. раздел *Техническое обслуживание на стр. 175.*

- Определенные химические вещества могут оказывать негативное воздействие на данное изделие. Дополнительную информацию можно получить у производителя. Не допускайте контакта изделия с агрессивными веществами. Регулярно очищайте изделие. Для очистки изделия используйте ткань, смоченную в мыльном растворе. Не промывайте изделие и не погружайте его в воду.
- Все работы по обслуживанию и ремонту должны выполняться в официальном сервисном центре. Используйте только оригинальные запчасти Husqvarna.
- Запрещается использовать наушники по прошествии 10 лет с даты изготовления, указанной на упаковке.
- Работа изделия может ухудшаться по мере разрядки аккумулятора.

Инструкции по технике безопасности во время эксплуатации

- При работе в шумных условиях пользователь должен следить за тем, чтобы наушники всегда были надеты.
- При использовании изделия будьте бдительны и прислушивайтесь к предупреждающим сигналам. Надетые наушники могут понизить громкость предупреждающих сигналов.
- При использовании развлекательной функции слышимость предупреждающих сигналов в месте работы может быть снижена.
- Не допускайте ударов по изделию во время транспортировки и использования.
- Изделие разрешается использовать только при температуре от -20 до +55 °С. Температуры за пределами этого диапазона могут стать причиной повреждения электроники, аккумулятора и механических деталей.
- Перед началом эксплуатации изделия убедитесь, что вы понимаете правила пользования им. При повреждении изделия обратитесь в сервисный центр. Не вскрывайте корпус!
- Гигиенические чехлы на амбушюрах могут влиять на акустические характеристики

наушников. Используйте только оригинальные принадлежности.

- Не прижимайте наушники к шлему. Это может привести к образованию трещин по бокам шлема.

(Рис. 4)

- Не храните изделие при температуре выше +55 °С, например на приборной панели. Не храните изделие при температуре ниже -20 °С.
- Пользователь должен следить за тем, чтобы наушники использовались, регулировались и обслуживались в соответствии с настоящим руководством по эксплуатации.
- На наушниках предусмотрен аудиовход, исправность которого важна для обеспечения безопасности. Перед началом эксплуатации пользователь должен проверить исправность изделия. В случае обнаружения искажений или неисправностей пользователь должен обратиться к производителю за рекомендациями по ремонту.

Техника безопасности при работе с аккумулятором

- Наушники имеют уровневезависимую функцию шумоподавления. Перед началом эксплуатации пользователь должен проверить исправность изделия. В случае обнаружения искажений или неисправностей пользователь должен обратиться к производителю за рекомендациями по ремонту.
- Изделие оснащено аккумулятором и электрическими компонентами, которые могут вызвать возгорание в горячих или взрывоопасных средах. Не используйте наушники в условиях, в которых искры могут вызвать пожар или взрыв.
- Температура во время зарядки изделия должна быть в пределах от 0 до +40 °С. Зарядка при температуре, выходящей за пределы указанного диапазона, может повредить электронику и аккумулятор.

Сборка

Введение



ПРЕДУПРЕЖДЕНИЕ: Прежде чем надеть изделие, уберите волосы в сторону. Перед включением изделия убедитесь, что уплотнительные кольца плотно прилегают к голове и ушам.

2. Для регулировки по высоте перемещайте наушники вверх или вниз. (Рис. 5)

Установка наушников на шлем

1. Установите переходник подходящего типа на шлем. См. раздел *Одобрённые шлемы на стр. 176*.
2. Установите вилку шлема на переходник. (Рис. 6)

Надевание наушников с оголовьем

1. Наденьте оголовье на голову.

Примечание: См. раздел *Одобрённые шлемы на стр. 176*, где приведена

дополнительная информация о переходниках для различных шлемов.

- Установите наушники в крайнее нижнее положение.
- Потяните наушники наружу и вверх таким образом, чтобы они зафиксировались в положении готовности к работе. (Рис. 7)
- Нанесите отметки на провод.
 - Для шлема H300 отметка наносится на расстоянии 27 см (11 дюймов) (X) от каждого наушника.
 - Для шлема Spire Vent X отметка наносится на расстоянии 14,5 см (6 дюймов) (Y) от каждого наушника. (Рис. 8)
- Вставьте переходник в паз на шлеме. (Рис. 9)
- Продолжите сборку в соответствии с инструкциями для вашего шлема.



ВНИМАНИЕ: Не допускайте перекручивания провода и малого радиуса изгиба. Проверьте, что провод свободно движется в отверстии на шлеме.

Установка наушников на шлем H300

- Снимите оголовье со шлема. (Рис. 10)
- Зафиксируйте провод в отверстиях с помощью кабельных стяжек или фиксаторов. (Рис. 11)
- При креплении провода с помощью кабельных стяжек обрежьте стяжку и вставьте фиксатор стяжки в боковой паз.
- Сложите провод петлей и установите оголовье и защиту шеи. Провод должен проходить между шлемом и оголовьем. (Рис. 12)

Установка наушников на шлем Spire Vent X

- Сложите провод петлей, обращенной назад.

- Зафиксируйте провод на оголовье с помощью кабельных стяжек. Закрепите кабельную стяжку, пропустив ее вокруг заднего ремешка оголовья.
- Обрежьте кабельную стяжку.
- Сложите оставшийся провод петлей, обращенной назад, за задней частью оголовья. (Рис. 13)

Установка наушников в рабочее положение

- Наденьте шлем на голову.
- Отрегулируйте положение наушников таким образом, чтобы они плотно прилегали к ушам и голове. (Рис. 14)

Установка наушников в положение готовности к работе

- Потяните наушники наружу и вверх таким образом, чтобы они зафиксировались в положении готовности к работе. (Рис. 15)

Установка наушников в положение хранения

- Переведите наушники в положение готовности к работе. См. раздел *Установка наушников в положение готовности к работе на стр. 173*.
- Поворачивайте наушники назад вдоль боковой поверхности шлема до тех пор, пока они не зафиксируются в положении хранения. (Рис. 16)

Подключение съемного микрофона

Съемный микрофон предназначен для использования в местах с высоким уровнем шума.

- Установите ветрозащиту на съемный микрофон.
- Подсоедините съемный микрофон к разъему микрофона на правом наушнике. (Рис. 17)
- Установите съемный микрофон на расстоянии 1 см (0,4 дюйма) (A) от рта.

Эксплуатация

Введение



ПРЕДУПРЕЖДЕНИЕ: Перед эксплуатацией прибора необходимо внимательно изучить раздел безопасности.

Зарядка изделия

- Подсоедините разъем USB-C кабеля зарядки к разъему на левом наушнике. (Рис. 18)
- Подключите USB-разъем кабеля зарядного устройства к USB-разъему зарядного устройства или другому USB-разъему питания.

Примечание: Для зарядки при максимальных характеристиках выходные напряжение и сила тока разъема должны составлять 5 В и 2 А соответственно.

Примечание: Во время зарядки аккумулятора светодиодный индикатор на кнопке Bluetooth® медленно мигает зеленым. Когда аккумулятор полностью заряжен, светодиодный индикатор на кнопке Bluetooth® горит ровным зеленым светом.

Запуск изделия

- Нажмите и удерживайте кнопку включения/выключения в течение 1 секунды.

Примечание: Раздастся звуковой сигнал, указывающий на включение изделия. Будет выведено аудиосообщение о состоянии аккумулятора и количестве устройств, подключенных по технологии беспроводной связи Bluetooth®.

Аудиосообщение
BATTERY HIGH
BATTERY MEDIUM
BATTERY LOW
BATTERY CRITICAL

Аудиосообщение	Светодиодный индикатор на кнопке Bluetooth®
ONE BLUETOOTH DEVICE CONNECTED	Светодиодный индикатор горит синим.
TWO BLUETOOTH DEVICES CONNECTED	

Переключение между режимом FM-радио и режимом Bluetooth®

- Чтобы переключиться между режимом FM-радио и режимом Bluetooth®, быстро нажмите кнопку выбора режима 2 раза.

Примечание: Будет выведено аудиосообщение о выбранном режиме. См. таблицу ниже.

Аудиосообщение
RADIO
BLUETOOTH

Режим радиостанции ЧМ

В режиме радиостанции ЧМ можно слушать радиостанции частотно-модульного радиовещания (ЧМ).

Переключение между FM-радиостанциями

- Нажмите и удерживайте кнопку увеличения или уменьшения громкости в течение 1 секунды, чтобы переключить FM-радиостанцию.

Режим Bluetooth®

В режиме Bluetooth® изделие можно подключить к устройству с технологией беспроводной связи Bluetooth®.

Процедура сопряжения по Bluetooth®

- Нажмите и удерживайте кнопку Bluetooth® в течение 2 секунд, чтобы активировать режим сопряжения на устройстве.

Примечание: Режим сопряжения включится, когда будет подан звуковой сигнал и кнопка Bluetooth® будет мигать синим. Режим сопряжения активен в течение 30 секунд.

- Включите режим сопряжения по Bluetooth® на устройстве.
- При необходимости выберите Husqvarna X-COM Active в списке на устройстве.

Примечание: Будет выведено аудиосообщение о состоянии изделия. См. таблицу ниже.

Аудиосообщение	Светодиодный индикатор на кнопке Bluetooth®	Информация
BLUETOOTH DEVICE CONNECTED	Горит ровным синим светом.	Изделие подключено к устройству по Bluetooth®.
BLUETOOTH CONNECTION FAILED	Горит ровным красным светом в течение 2 секунд.	Изделие не подключено к устройству по Bluetooth®.

Примечание: При следующем использовании изделия с устройством с технологией беспроводной связи Bluetooth®, которое было подключено ранее, это устройство автоматически устанавливает связь с изделием.

Переключение каналов потоковой передачи аудио

- Нажмите и удерживайте кнопку увеличения громкости в течение 0,5 секунды, чтобы выбрать следующий канал потоковой передачи аудио.
- Нажмите и удерживайте кнопку уменьшения громкости в течение 0,5 секунды, чтобы вернуться к предыдущему каналу потоковой передачи аудио.

Запуск и остановка потоковой передачи аудио

- Нажмите кнопку выбора режима, чтобы начать или остановить потоковую передачу аудио.

Принятие, завершение или отклонение телефонного звонка

Если мобильное устройство подключено к изделию по Bluetooth®, то при поступлении входящего звонка в наушниках будет слышен соответствующий сигнал.

- Нажмите кнопку выбора режима, чтобы принять или завершить телефонный звонок.
- Нажмите и удерживайте кнопку выбора режима в течение 1 секунды, чтобы отклонить входящий звонок.

Примечание: При принятии или отклонении телефонного звонка подается звуковой сигнал.

Аудиосообщение	Информация
CALL ENDED	Телефонный звонок завершен.

Регулировка громкости

- Для регулировки громкости нажмите на кнопку уменьшения или увеличения громкости. Звуковой сигнал указывает на достижение минимальной или максимальной громкости.

Установка режима окружающего звука

Режим окружающего звука позволяет слышать звуки окружающей среды.

- Нажмите кнопку режима окружающего звука.

Примечание: Будет выведено аудиосообщение о состоянии режима окружающего звука.

Аудиосообщение
AMBIENT LEVEL HIGH
AMBIENT LEVEL MEDIUM
AMBIENT LEVEL LOW
AMBIENT LEVEL OFF

Выключение изделия

- Нажмите и удерживайте кнопку включения/выключения в течение 1 секунды.

Примечание: Будет выведено аудиосообщение о состоянии аккумулятора, и светодиодные индикаторы погаснут. Раздастся звуковой сигнал, указывающий на выключение изделия.

Принудительное выключение изделия

- Нажмите и удерживайте кнопку включения/выключения в течение 12 секунд.

Техническое обслуживание

Техническое обслуживание изделия



ВНИМАНИЕ: Не промывайте изделие и не погружайте его в воду.



ВНИМАНИЕ: Аэрозоль, жидкости и другие чистящие средства, содержащие растворители и/или спирт, могут снизить защитные свойства изделия.



ВНИМАНИЕ: Используйте оригинальные запчасти Husqvarna.

1. Регулярно очищайте изделие. Используйте ткань, смоченную в слабом мыльном растворе.

2. Перед каждым использованием проверяйте состояние уплотнительных колец и поролоновых вставок.
3. Замена уплотнительных колец и поролоновых вставок выполняется каждые 6 месяцев или чаще, если требуется. Следите, чтобы воздушное отверстие на уплотнительном кольце во время сборки было направлено вниз. Используйте оригинальный гигиенический комплект, в который входят уплотнительные кольца и поролоновые вставки. Дополнительную информацию о гигиеническом комплекте см. на сайте www.husqvarna.com. (Рис. 19)

Примечание: Если наушники влажные внутри, дайте им просохнуть в положении хранения. См. раздел *Установка наушников в положение хранения на стр. 173*.

4. Замените мембрану речевого микрофона, если она повреждена.
5. Замените ветрозащиту микрофона с шумоподавлением, если она повреждена.
6. Замените ветрозащиту съемного микрофона, если она повреждена.
7. При необходимости замените мягкую подкладку оголовья. (Рис. 20)

Транспортировка, хранение и утилизация

Транспортировка и хранение



ВНИМАНИЕ: На время транспортировки и хранения установите наушники в рабочее положение, чтобы уменьшить износ пластиковых деталей.

- Переведите наушники в рабочее положение. См. раздел *Установка наушников в рабочее положение на стр. 173.*
- Проверьте, что уплотнительные кольца не сжаты.
- Поместите изделие в сухое и чистое место.
- Храните изделие вдали от солнечных лучей.
- Для сохранения емкости аккумулятора заряжайте его с периодичностью раз в 6 недель.
- На время транспортировки поместите изделие в безопасное место.

Утилизация

- Соблюдайте местное законодательство.
- Воспользуйтесь услугами местной системы переработки.
- Запрещается утилизировать данное изделие и его упаковку в качестве бытовых отходов. Изделие необходимо передать в пункт переработки электрического и электронного оборудования.



Принадлежности

Одобренные шлемы

Изделие совместимо только с перечисленными ниже шлемами.

Модель	Тип переходника шлема	Изображение переходника	Одобренные размеры
Husqvarna Technical, H300	Переходник H300	(Рис. 21)	M/L
Husqvarna Spire	Переходник Spire	(Рис. 22)	L
KASK Zenith X			

Технические данные

Технические данные

Технические данные каждого изделия см. на следующих изображениях. Дополнительную

информацию о технических характеристиках см. в приложении к техническим данным в этом руководстве по эксплуатации.

(Рис. 2)
(Рис. 3)

Дополнительные сведения о технических данных см. в следующем списке:

- F = частоты, на которых измеряется подавление.
- Mf = среднее значение.
- Sf = стандартное отклонение.
- APV (Mf-Sf) = принятый уровень защиты.

- N = значение подавления на высоких частотах (ожидаемое снижение уровня шума, где $L_C - L_A = -2$ дБ). M = значение подавления на средних частотах (ожидаемое снижение уровня шума, где $L_C - L_A = +2$ дБ). L = значения подавления на низких частотах (ожидаемое снижение уровня шума, где $L_C - L_A = +10$ дБ).
- SNR = одиночный показатель поглощения шума (значение, которое вычитается из измеренного C-взвешенного уровня звукового давления, L_C , для

получения эффективного A-взвешенного уровня звука в ухе).

Ответственный производитель: Husqvarna AB, SE-561 82 Huskvarna, Швеция, тел.: +46-36-146500.

Уровень шума

Максимальный эквивалентный уровень шума в режимах ЧМ-радиостанции и гарнитуры равен 82 дБ (A).

Материалы

Часть	Материал	Часть	Материал
Внутренняя чашка наушника	ABS	Оголовье	ПОМ+ТРЕ
Наружная чашка наушника, левая	ABS	Вилка шлема	РА66GF30
Наружная чашка наушника, правая	ABS+ТРЕ	Пружина вилки шлема	Сталь
Вставки	PUR	Винты	Сталь
Уплотнительные кольца	ABS+ТРЕ		

Obsah

Úvod.....	178	Preprava, skladovanie a likvidácia.....	183
Bezpečnosť.....	179	Prislušenstvo.....	183
Montáž.....	180	Technické údaje.....	184
Prevádzka.....	181	Príloha	229
Údržba.....	183		

Úvod

Popis výrobku

Výrobok X-SYNC (HP500BT-01, HP500BT-02) je ochrana sluchu so zabudovanou plnohodnotnou objemnou komunikáciou, *bezdrôtovou technológiou*

Prehľad výrobku

(Obr. 1)

1. Tlačidlo zvuku z okolia
2. Mikrofón závislý od úrovne hluku
3. Tlačidlo Bluetooth®
4. Hlasový mikrofón
5. Tlačidlo režimu
6. Výstup kábla nabíjačky USB-C
7. Tlačidlo na zvýšenie hlasitosti
8. Tlačidlo na zníženie hlasitosti
9. Vypínač
10. Výstup pre mikrofón s ramienkom

Súlad a schválenia

Týmto spoločnosť Husqvarna AB, SE-561 82 Huskvarna, Sweden, tel: +46-36-146500, vyhlasuje, že typ rádiového zariadenia HP500BT-01 a HP500BT-02 je v súlade so smernicou 2014/53/EU, 2011/65/EU a s nariadením (EÚ) 2016/425. Nariadenie 2016/425 a osobných ochranných prostriedkoch, zmenené a doplnené pre uplatnenie vo VB. Úplné znenie vyhlásenia o zhode EÚ a vyhlásenie o zhode pre Spojené kráľovstvo je uvedené na tejto internetovej adrese: www.husqvarna.com, výraz pre vyhľadávanie: X-SYNC, HP500BT-01, HP500BT-02.

Hodnoty utlmenia a hladiny hluku sa v prípade výrobku testovali a schválili v súlade s požiadavkami noriem: EN 352-1:2020 (hlavový pás), EN 352-3:2020 (upevnenie na prilbu), EN 352-4:2020, EN 352-6:2020 a EN 352-8:2020.

Notifikovaný orgán vykonávajúci posúdenie súladu je: číslo notifikovaného orgánu 1974. PZT GmbH, Bismarckstraße 264 B, 26389 Wilhelmshaven, Germany.

Schválený orgán pre Spojené kráľovstvo, číslo: 0321. SATRA Technology Centre, Wyndham Way, Telford Way, Kettering, Northamptonshire, NN16 8SD, UK.

Osvedčovanie a monitorovanie spoločnosťou PZT.

Bluetooth® a rádiom FM. Model HP500BT-01 je ochrana sluchu s hlavovým pásom a model HP500BT-02 je ochrana sluchu k prilbe. Výrobok poskytuje ochranu pred škodlivým hlukom.

Batéria má osvedčenie v súlade s požiadavkami normy IEC62133, vydanie 2.



UK Importer:
Husqvarna UK Ltd
Preston Road, Co. Durham
DL5 6UP

FCC ID: ZASHP500BT, IC ID: 23307-HP500BT

Vyhľadanie dodávateľa o zhode FCC pre zodpovednú stranu produktu HP500BT-01, HP500BT-02.

Husqvarna Professional Products, Inc. 9335 Harris Corners Parkway Suite 500 Charlotte, NC 28269, USA.

Kontaktné informácie v USA: Michael Campbell, Manager Product Compliance, tel. č.: +1 704 597 5000.

Vyhľadanie o zhode FCC:

Toto zariadenie je v súlade s časťou 15 pravidiel FCC. Pri prevádzke musia byť dodržané tieto dve podmienky: (1) Toto zariadenie nesmie spôsobovať škodlivé rušenie a (2) toto zariadenie musí tolerovať akékoľvek prijaté rušenie vrátane rušenia, ktoré môže viesť k neželanému fungovaniu zariadenia.

Toto zariadenie bolo testované a zistilo sa, že je v súlade s obmedzeniami pre digitálne zariadenie triedy B podľa časti 15 pravidiel FCC. Tieto obmedzenia sú navrhnuté tak, aby poskytovali náležitú ochranu pred škodlivým rušením pri domácich inštaláciách.

Toto zariadenie vytvára, používa a môže vyžarovať rádiovú frekvenciu energiu a v prípade, že nie je nainštalované a nepoužíva sa v súlade s pokynmi, môže spôsobovať škodlivé rušenie rádiových komunikácií. Neexistuje však žiadna záruka, že pri konkrétnej inštalácii k rušeniu nedôjde. V prípade, že toto zariadenie spôsobí škodlivé rušenie rádiového alebo televízneho príjmu, ktoré je možné zistiť vypnutím a zapnutím zariadenia, používateľovi odporúčame pokúsiť sa o odstránenie rušenia prijatím jedného alebo viacerých z nasledujúcich opatrení:

- Zväčšením vzdialenosti medzi zariadením a prijímačom.
- Obráťte sa na predajcu so žiadosťou o pomoc.

Označenie výrobku možno nájsť po odstránení tesniaceho krúžku a vložky z penovej gúmy na pravom chrániči sluchu.

Obsahuje modul vysielacza IC: 12246A-BM64S2

Toto zariadenie je v súlade s normami RSS vyňatými z licencie Ministerstva priemyslu Kanady. Pri prevádzke

musia byť dodržané tieto dve podmienky: (1) toto zariadenie nesmie spôsobovať rušenie a (2) toto zariadenie musí tolerovať akékoľvek rušenie vrátane rušenia, ktoré môže viesť k neželanému fungovaniu zariadenia.

V súlade s nariadeniami Ministerstva priemyslu Kanady sa tento rádiový vysielateľ môže využívať len s anténou s maximálnym (alebo menším) ziskom schváleným pre vysielateľ Ministerstvom priemyslu Kanady. Na zníženie potenciálneho rádiového rušenia z hľadiska ostatných používateľov musí byť typ antény a jej zisk vybratý tak, aby ekvivalentný izotropický vyžiarovaný výkon (e.i.r.p.) nebol väčší, než je potrebný na úspešnú komunikáciu.

Označenie výrobku možno nájsť po odstránení tesniaceho krúžku a vložky z penovej gúmy na pravom chrániči sluchu.

Registrované ochranné známky

Slovné označenie *Bluetooth®* a súvisiace logá sú registrované ochranné známky spoločnosti *Bluetooth SIG, inc.* a každé použitie takýchto značiek spoločnosťou Husqvarna vychádza z licencie.

Bezpečnosť

Bezpečnostné definície

Výstrahy, upozornenia a poznámky slúžia na zdôraznenie mimoriadne dôležitých častí návodu.



VÝSTRAHA: Používa sa, ak pre obsluhu alebo osoby v okolí existuje nebezpečenstvo poranenia alebo smrti v prípade nedodržania pokynov v návode.



VAROVANIE: Používa sa, ak hrozí nebezpečenstvo poškodenia produktu, iných materiálov alebo okolitej oblasti v prípade nedodržania pokynov v návode.

Poznámka: Používa sa na poskytnutie informácií nad rámec nevyhnutných informácií v danej situácii.

Všeobecné bezpečnostné pokyny



VÝSTRAHA: Skôr než budete výrobok používať, prečítajte si nasledujúce výstrahy.

- Používajte a odložte si tieto pokyny.
- Na zaistenie optimálneho prispôsobenia a funkcie vyberte správny výrobok na príslušné použitie.
- Nemeňte ani neodstraňujte súčasti výrobku. Vykonávajte len zmeny uvedené v tomto návode na obsluhu.

- Účinnosť tlmenia hluku výrobkom môže byť vážne narušená v prípade nedodržania pokynov uvedených v tomto návode na obsluhu. Chrániče sluchu, najmä ušnice, sa používaním môžu opotrebovať a v pravidelných intervaloch by sa na nich mali kontrolovať prípadné praskliny a prenikanie hluku. V časti *Údržba na strane 183*.
- Tento výrobok môže byť nepriaznivo ovplyvnený určitými chemickými látkami. Ďalšie informácie si vyžiadajte od výrobcu. Výrobok nevystavujte pôsobeniu agresívnych látok a pravidelne ho čistite. Používajte handričku a mydlovú vodu. Neumývajte ani úplne neponárajte do vody.
- Všetky servisné a opravné práce musí vykonať autorizovaný servis. Používajte iba originálne náhradné diely Husqvarna.
- Nikdy nepoužívajte chrániče sluchu dlhšie ako 10 rokov od dátumu výroby uvedeného na obale.
- Funkčnosť výrobku sa môže so znižujúcim sa stavom batérie zhoršiť.

Bezpečnostné pokyny pre prevádzku

- Používateľ musí zabezpečiť, aby mal v hlučnom prostredí po celý čas nasadené chrániče sluchu.
- Pri používaní výrobku venujte zvýšenú pozornosť výstražným signálom. Pri používaní výrobku sa intenzita výstražných signálov môže znížiť.
- Vnímanie výstražných signálov na danom pracovisku sa môže narušiť pri používaní zábavnej funkcie.
- Zaisťte, aby sa výrobok nepoškodil nárazom počas prepravy alebo používania.

- Výrobok používajte len v teplotnom rozsahu od -20 °C do +55 °C. Ak výrobok používate pri iných teplotách, môže to spôsobiť poškodenie elektroniky, batérie a mechanických častí.
- Pred používaním výrobku sa oboznámte so spôsobom jeho používania. V prípade poškodenia výrobku sa obráťte na servisného predajcu. Neotvárajte puzdro!
- Nasadenie hygienických krytov na ušnice môže ovplyvniť akustickú výkonnosť chráničov sluchu. Vždy používajte originálne príslušenstvo.
- Chrániče sluchu nepritlačajte o prilbu. Mohlo by to spôsobiť praskliny na boku prilby.

(Obr. 4)

- Výrobok neodkladajte na miesta s teplotou presahujúcou +55 °C, napríklad na palubnú dosku. Výrobok neodkladajte na miesta s teplotou nižšou než -20 °C.
- Používateľ musí zabezpečiť, aby bolo nasadenie, upravenie a udržiavanie chráničov sluchu v súlade s návodom na obsluhu.

- Chrániče sluchu sú vybavené bezpečnostným zvukovým vstupom. Pred použitím je potrebné, aby používateľ skontroloval správnu funkčnosť výrobku. V prípade zistenia skreslenia alebo poruchy musí používateľ postupovať podľa pokynov výrobcu týkajúcich sa údržby.

Bezpečnosť batérie

- Chránič sluchu je vybavený funkciou tlmenia, ktoré sa mení podľa úrovne hluku. Pred použitím je potrebné, aby používateľ skontroloval správnu funkčnosť výrobku. V prípade zistenia poruchy musí používateľ postupovať podľa pokynov výrobcu týkajúcich sa údržby.
- Výrobok obsahuje batériu a elektrické komponenty, ktoré môžu v horľavej alebo výbušnej atmosfére spôsobiť zapálenie. Nepoužívajte v prostrediach, kde môžu iskry spôsobiť požiar alebo výbuch.
- Výrobok nabíjajte len v teplotnom rozsahu 0 °C až +40 °C. Nabíjanie mimo tohto teplotného rozsahu môže spôsobiť poškodenie elektroniky a batérie.

Montáž

Úvod



VÝSTRAHA: Pred zostavením výrobku si presuňte vlasy nabok. Pred používaním výrobku skontrolujte, či vám tesniace krúžky tesne priliehajú k hlave a ušiam.

- b) V prípade prilby Spire Vent X urobte značku 14,5 cm/6 palcov (Y) od každého z chráničov sluchu. (Obr. 8)
6. Vložte upevnenie k prilbe do štrbiny na prilbe. (Obr. 9)
7. Pokračujte podľa pokynov na montáž k vašej schválenej prilbe.

Nasadenie chráničov sluchu s hlavovým pásom

1. Nasadte si hlavový pás cez vrch hlavy.
2. Nastavte výšku chráničov sluchu posúvaním nahor alebo nadol. (Obr. 5)

Montáž chráničov sluchu na prilbu

1. Namontujte na prilbu správny upevňovací adaptér. V časti *Schválené prilby na strane 183*.
2. Namontujte na upevňovací adaptér vidlicu prilby. (Obr. 6)

Poznámka: V časti *Schválené prilby na strane 183* nájdete ďalšie informácie o tom, ktoré upevnenie vyhovuje vašej prilbe.

3. Nastavte chrániče sluchu do najnižšej polohy.
4. Nadvihnite chrániče sluchu a posuňte ich smerom von a nahor, aby sa zaistili v pohotovostnej polohe. (Obr. 7)
5. Na kábli urobte značku.
 - a) V prípade prilby H300 urobte značku 27 cm/11 palcov (X) od každého z chráničov sluchu.



VAROVANIE: Zaistite, aby kábel nebol skrútený ani sa príliš prudko neohýbal. Zaistite, aby sa kábel hladko pohyboval v otvore helmy.

Montáž chráničov sluchu na prilbu H300

1. Uvoľnite hlavový popruh z prilby. (Obr. 10)
2. Pomocou káblových spŕon alebo svoriek upevnite kábel k otvorom. (Obr. 11)
3. Ak kábel upevňujete pomocou káblových spŕon, skráťte kábovú sponu a zatlačte zámok kábovej spony do bočnej drážky.
4. Urobte kábovú slučku a pripojte hlavový popruh a chránič krku. Zaistite, aby sa kábel nachádzal medzi plášťom prilby a hlavovým popruhom. (Obr. 12)

Montáž chráničov sluchu na prilbu Spire Vent X

1. Založte kábel v slučke dozadu.
2. Pomocou káblových spŕon upevnite kábel k hlavovému popruhu. Upevnite kábovú sponu na zadný popruh hlavového pásu.
3. Skráťte kábové spony.

4. Zvyšný časť kábla v slučke presuňte dozadu za zadný hlavový pás. (Obr. 13)

Nastavenie chráničov sluchu do prevádzkovej polohy

1. Nasad'te si prilbu na hlavu.
2. Upravte chrániče sluchu tak, aby vám pevne sedeli na ušiach a na hlave. (Obr. 14)

Nastavenie chráničov sluchu do pohotovostnej polohy

- Nadvihnite chrániče sluchu a posuňte ich smerom von a nahor, aby sa zaistili v pohotovostnej polohe. (Obr. 15)

Nastavenie chráničov sluchu do odkladacej polohy

1. Nastavte chrániče sluchu do pohotovostnej polohy. V časti *Nastavenie chráničov sluchu do pohotovostnej polohy na strane 181*.

2. Otočte chrániče sluchu dozadu po boku prilby tak, aby sa zaistili v odkladacej polohe. (Obr. 16)

Pripojenie mikrofónu s ramienkom

V prostredí s veľkým hlukom používajte mikrofón s ramienkom.

1. Pripojte na mikrofón s ramienkom redukciu šumu vetra.
2. Pripojte mikrofón s ramienkom k výstupu mikrofónu na pravom chrániči sluchu. (Obr. 17)
3. Umiestnite mikrofón s ramienkom 1 cm/0,4 palca (A) od úst.

Prevádzka

Úvod



VÝSTRAHA: Pred používaním výrobku si musíte prečítať kapitolu o bezpečnosti a porozumieť informáciám, ktoré sa v nej uvádzajú.

Nabíjanie výrobku

1. Pripojte konektor USB-C kábla nabíjačky k výstupu na ľavom chrániči sluchu. (Obr. 18)
2. Pripojte konektor USB kábla nabíjačky k nabíjačke USB alebo k inému napájacíemu výstupu USB.

Poznámka: Napájací výstup musí mať 5 V a 2 A, aby nabíjal maximálnou rýchlosťou.

Poznámka: Keď sa batéria nabíja, indikátor LED na tlačidle Bluetooth® pomaly bliká nazeleno. Keď je batéria úplne nabitá, indikátor LED na tlačidle Bluetooth® svieti nazeleno.

Zapnutie výrobku

- Stlačte a na 1 sekundu podržte vypínač.

Poznámka: Pipnutie signalizuje, že výrobok je zapnutý. Zvukové hlásenie informuje o stave batérie a množstve zariadení pripojených pomocou bezdrôtovej technológie Bluetooth®.

Zvukové hlásenie
BATTERY HIGH
BATTERY MEDIUM
BATTERY LOW
BATTERY CRITICAL

Zvukové hlásenie	Indikátor LED na tlačidle Bluetooth®
ONE BLUETOOTH DEVICE CONNECTED	Indikátor LED je modrý.
TWO BLUETOOTH DEVICES CONNECTED	

Prepínanie medzi režimom rádia FM a režimom Bluetooth®

- Prepínanie medzi režimom rádia FM a režimom Bluetooth® vykonajte stlačením tlačidla režimu 2-krát v rýchlom slede.

Poznámka: Zvukové hlásenie vás informuje, ktorý režim ste vybrali. Pozrite si nižšie uvedenú tabuľku.

Zvukové hlásenie
RADIO
BLUETOOTH

Režim rádia FM

V režime rádia FM získate prístup k rádiu FM.

Prepnutie rozhlasovej stanice v pásme FM

- Ak chcete zmeniť stanicu rádia FM, stlačte a podržte tlačidlo na zvýšenie hlasitosti alebo tlačidlo na zníženie hlasitosti na 1 sekundu.

Režim Bluetooth®

V režime Bluetooth® môžete spárovať svoj výrobok so zariadením podporujúcim bezdrôtovú technológiu Bluetooth®.

Vykonanie párovania Bluetooth®

- Ak chcete spustiť párovanie výrobku, stlačte a na 2 sekundy podržte tlačidlo Bluetooth®.

Poznámka: Párovanie sa spustí, keď zaznie pípnutie a tlačidlo Bluetooth® bliká namodro. Párovanie je zapnuté počas 30 sekúnd.

- Spustíte párovanie pre bezdrôtovú technológiu Bluetooth® na zariadení.
- V prípade potreby zo zoznamu jednotiek vo svojom zariadení vyberte možnosť Husqvarna X-COM Active.

Poznámka: Zvukové hlásenie vás bude informovať o stave výrobku. Pozrite si nižšie uvedenú tabuľku.

Zvukové hlásenie	Indikátor LED na tlačidle Bluetooth®	Informácia
BLUETOOTH DEVICE CONNECTED	Svieti namodro.	Výrobok je pripojený k zariadeniu pomocou technológie bezdrôtovej komunikácie Bluetooth®.
BLUETOOTH CONNECTION FAILED	Svieti načerveno 2 sekundy.	Výrobok nie je pripojený k zariadeniu pomocou technológie bezdrôtovej komunikácie Bluetooth®.

Poznámka: Zariadenie s bezdrôtovou technológiou Bluetooth® pripojené k výrobku sa nabudúce automaticky pripojí k výrobku pri nasledujúcom použití výrobku spolu so zariadením.

Zmena streamovania zvuku

- Ak chcete vybrať ďalší zdroj zvuku, stlačte a podržte tlačidlo na zvýšenie hlasitosti 0,5 sekundy.
- Ak sa chcete vrátiť k predchádzajúcemu zdroju zvuku, na 0,5 sekundy stlačte a podržte tlačidlo na zníženie hlasitosti.

Zastavenie alebo spustenie streamovania zvuku

- Ak chcete zastaviť alebo spustiť streamovanie zvuku, stlačte tlačidlo režimu.

Prijatie, ukončenie alebo odmietnutie telefonického hovoru

Ak je vaše mobilné zariadenie pripojené k výrobku pomocou bezdrôtovej technológie Bluetooth®, pri prichádzajúcom telefonickom hovore sa v chráničoch sluchu ozve signál.

- Telefonický hovor prijmete alebo ukončíte stlačením tlačidla režimu.
- Stlačením tlačidla režimu na 1 sekundu prichádzajúci hovor odmietnete.

Poznámka: Po prijatí alebo zamietnutí telefonického hovoru zaznie pípnutie.

Zvukové hlásenie	Informácia
CALL ENDED	Telefonický hovor sa skončil.

Nastavenie hlasitosti

- Nastavenie hlasitosti vykonajte podržaním tlačidla na zvýšenie alebo zníženie hlasitosti. Pípnutie vás upozorní, že hlasitosť je na minimálnej alebo maximálnej úrovni.

Nastavenie režimu zvuku z okolia

Režim zvuku z okolia umožňuje počuť zvuky okolo vás.

- Stlačte tlačidlo zvuku z okolia.

Poznámka: O stave režimu zvuku z okolia bude informovať zvukové hlásenie.

Zvukové hlásenie
AMBIENT LEVEL HIGH
AMBIENT LEVEL MEDIUM
AMBIENT LEVEL LOW
AMBIENT LEVEL OFF

Zastavenie výrobku

- Stlačte a na 1 sekundu podržte vypínač.

Poznámka: Zvukové hlásenie vás bude informovať o stave batérie a indikátory LED zhasnú. Pípnutie signalizuje, že sa výrobok vypol.

Nútené zastavenie výrobku

- Stlačte vypínač na 12 sekúnd.

Údržba

Údržba výrobku



VAROVANIE: Výrobok neoplachujte ani ho úplne neponárajte do vody.



VAROVANIE: Spreje, kvapaliny alebo iné čistiace prostriedky, ktoré obsahujú rozpúšťadlá a/alebo alkohol môžu zhoršiť ochranné vlastnosti.



VAROVANIE: Používajte originálne náhradné diely Husqvarna.

1. Výrobok pravidelne čistite. Používajte handričku so slabým mydlovým roztokom.
2. Pred každým použitím skontrolujte stav tesniacich krúžkov a vložiek z penovej gumy.

3. Tesniace krúžky a vložky z penovej gumy vymieňajte raz za 6 mesiacov, prípadne častejšie. Vzduchový otvor na tesniacom krúžku musí smerovať počas montáže nadol. Použite originálnu hygienickú súpravu, ktorá obsahuje tesniace krúžky a vložky z penovej gumy. Informácie o hygienickej súprave nájdete na stránke www.husqvarna.com. (Obr. 19)

Poznámka: Ak sú chrániče sluchu na vnútornej strane mokré, nechajte ich vyschnúť v odkladacej polohe. V časti *Nastavenie chráničov sluchu do odkladacej polohy na strane 181*.

4. Vymeňte membránu hlasového mikrofónu, ak je poškodená.
5. V prípade poškodenia vymeňte redukciu šumu vetra na mikrofóne závislom od úrovne hluku.
6. V prípade poškodenia vymeňte redukciu šumu vetra na mikrofóne s ramienkom.
7. V prípade potreby vymeňte vložku Comfort Pad hlavového pásu. (Obr. 20)

Preprava, skladovanie a likvidácia

Preprava a uskladnenie



VAROVANIE: Počas prepravy a uskladnenia nastavte chrániče sluchu do prevádzkovej polohy, aby sa znížilo opotrebovanie plastového materiálu.

- Nastavte chrániče sluchu do prevádzkovej polohy. V časti *Nastavenie chráničov sluchu do prevádzkovej polohy na strane 181*.
- Skontrolujte, či tesniace krúžky nie sú stlačené.
- Výrobok odložte na suché a čisté miesto.
- Výrobok počas skladovania nevystavujte slnečnému žiareniu.
- Batériu nabíjajte každých 6 týždňov, aby si zachovala kvalitu.

- Pri preprave odložte výrobok na bezpečné miesto.

Likvidácia

- Dodržiavajte vnútroštátne predpisy.
- Použite miestny recyklačný systém.
- Výrobok alebo jeho obal nepredstavuje komunálny odpad. Recyklujte ho v recyklačnej stanici určenej pre elektrické a elektronické zariadenia.



Príslušenstvo

Schválené prílby

Výrobok používajte len s nasledujúcimi prílbami.

Model	Typ upevnenia k prilbe	Ilustrácia adaptéra	Schválené rozmery
Husqvarna Technical, H300	Adaptér H300	(Obr. 21)	M/L
Husqvarna Spire	Adaptér Spire	(Obr. 22)	L
KASK Zenith X			

Technické údaje

Technické údaje

Pozrite si nasledujúce schémy s technickými údajmi o každom výrobku. Ďalšie technické údaje nájdete

(Obr. 2)

(Obr. 3)

Ďalšie informácie o obsahu technických údajov sú uvedené v nasledujúcom zozname:

- F = frekvencie, pri ktorých sa meria útlm.
- Mf = priemerná hodnota.
- Sf = štandardná odchýlka.
- APV (Mf – Sf) = predpokladaná hodnota ochrany.
- H = hodnota útlmu pri vysokých frekvenciách (predpokladané zníženie hladiny hluku pre hluk, kde $L_C - L_A = -2$ dB). M = hodnota útlmu pri stredných frekvenciách (predpokladané zníženie hladiny hluku pre hluk, kde $L_C - L_A = +2$ dB). L = hodnota útlmu pri nízkych frekvenciách (predpokladané zníženie hladiny hluku pre hluk, kde $L_C - L_A = +10$ dB).

v prílohe s technickými údajmi v tomto návode na obsluhu.

- SNR = jednočíselné ohodnotenie (hodnota, ktorá sa odčíta od nameranej úrovne váženého akustického tlaku na stupnici C – L_C – s cieľom získať odhad efektívneho váženého akustického tlaku na stupnici A vnútri ucha.

Zodpovedný výrobca: Husqvarna AB, SE-561 82
Huskvarna, Švédsko, tel.: +46-36-146500.

Hladina hluku

V režime rádia FM a v režime náhlavnej súpravy má maximálna ekvivalentná hladina hluku hodnotu 82 dB (A).

Materiály

Diel	Materiál	Diel	Materiál
Vnútorá ušnica	ABS	Hlavový pás	POM + TPE
Vonkajšia ušnica, ľavá	ABS	Vidlica prilby	PA66GF30
Vonkajšia ušnica, pravá	ABS+TPE	Pružina vidlice prilby	Oceľ
Vložky	FIAL.	Skrutky	Oceľ
Tesniace krúžky	ABS+TPE		

VSEBINA

Uvod.....	185	Transport skladiščenje in odstranitev.....	190
Varnost.....	186	Dodatna oprema.....	190
Montaža.....	187	Tehnični podatki.....	191
Delovanje.....	188	Dodatek	229
Vzdrževanje.....	189		

Uvod

Opis izdelka

Izdelek X-SYNC (HP500BT-01, HP500BT-02) so zaščitne slušalke z integriranim komunikacijskim sistemom s polnim dupleksom, brezžično tehnologijo

Pregled izdelka

(Sl. 1)

1. Gumb za zvok iz okolice
2. Od ravni odvisen mikrofoni
3. Gumb Bluetooth®
4. Mikrofoni za govor
5. Gumb za način
6. Vtičnica za kabel polnilnika s priključkom USB-C
7. Gumb za zvišanje glasnosti
8. Gumb za znižanje glasnosti
9. Gumb za vklop/izklop
10. Vtičnica za mikrofoni na nosilcu

Skladnost in odobritve

Družba Husqvarna AB, SE-561 82 Huskvarna, Sweden, tel: +46-36-146500 izjavlja, da je radijska oprema vrst HP500BT-01 in HP500BT-01 skladna s standardom 2014/53/EU, 2011/65/EU in uredbo (EU) 2016/425. Uredba 2016/425 o osebni varovalni opremi, in sicer z vsemi spremembami, ki veljajo v VB. Celotno besedilo izjave o skladnosti EU in izjave o skladnosti ZK je na voljo na naslednjem spletnem naslovu: www.husqvarna.com; iščite X-SYNC, HP500BT-01, HP500BT-02.

Ravni zmanjšanja in ravni hrupa so preizkušene in odobrene v skladu z naslednjimi standardi: EN 352-1:2020 (z naglavnim trakom), EN 352-3:2020 (nameščene na čeladi), EN 352-4:2020, EN 352-6:2020 in EN 352-8:2020.

Priglašeni organ, odgovoren za oceno skladnosti: Številka priglašenega organa 1974. PZT GmbH, Bismarckstraße 264 B, 26389 Wilhelmshaven, Germany.

Številka priglašenega organa v ZK 0321. SATRA Technology Centre, Wyndham Way, Telford Way, Kettering, Northamptonshire, NN16 8SD, UK.

Izdaja certifikata in nadzor: PZT.

Bluetooth® in radiom FM. Model HP500BT-01 so zaščitne slušalke z naglavnim trakom, model HP500BT-02 pa so zaščitne slušalke za čelado. Izdelek ščiti pred škodljivim hrupom.

Akumulatorska baterija je potrjena v skladu s standardom IEC62133, izdajo 2.



UK Importer:
Husqvarna UK Ltd
Preston Road, Co. Durham
DL5 6UP

ID komisije FCC: ZASHP500BT, IC ID: 23307-HP500BT

Izjava o skladnosti dobaviteljev FCC za HP500BT-01, HP500BT-02 odgovorna stranka.

Husqvarna Professional Products, Inc. 9335 Harris Corners Parkway Suite 500 Charlotte, NC 28269 United States.

Kontaktna oseba za ZDA: Michael Campbell, direktor skladnosti izdelkov, telefon: +1 704 597 5000.

Izjava o skladnosti FCC:

Ta naprava je skladna s 15. delom pravil komisije FCC. Za delovanje veljata naslednja pogoja: (1) ta naprava ne sme povzročati škodljivih motenj; in (2) ta naprava mora sprejeti vse motnje, vključno z motnjami, ki lahko povzročijo neželeno delovanje.

Ta oprema je preskušena in je v skladu z mejnimi vrednostmi za digitalne naprave razreda B v skladu s 15. delom pravil komisije FCC. Te mejne vrednosti zagotavljajo primerno zaščito pred škodljivimi motnjami pri uporabi na stanovanjskih območjih. Ta oprema

ustvarja, uporablja in lahko oddaja radiofrekvenčno energijo; če se ne namesti in uporablja v skladu z navodili, lahko povzroči škodljive motnje radijskih komunikacij. Kljub temu ni mogoče zagotoviti, da se pri določenih namestitvah ne bodo pojavile motnje. Če ta oprema povzroča škodljive motnje za sprejem radijskih ali televizijskih frekvenc, kar je mogoče ugotoviti z vklopom in izklopom opreme, lahko uporabnik poskusi odpraviti motnje z enim ali več naslednjimi ukrepi:

- Povečajte razdaljo med opremo in sprejemnikom.
- Za pomoč se obrnite na prodajalca.

Oznake na izdelku si lahko ogledate, če odstranite tesnilni obruč ter vstavke iz penaste gume z desnega naušnika.

Vsebuje oddajni modul z oznako IC: 12246A-BM64S2

Naprava je skladna s standardi kanadskega ministrstva za industrijo RSS za naprave, za katere ni potrebna licenca. Za delovanje veljata naslednja pogoja: (1)

naprava ne sme povzročati škodljivih motenj; in (2) naprava mora sprejeti vse motnje, vključno z motnjami, ki lahko povzročijo neželeno delovanje.

V skladu s predpisi Industry Canada lahko radijski oddajnik deluje samo ob uporabi antene ustrezne vrste ter z najvišjim (ali manjšim) ojačanjem, kot ga za oddajnik dovoljuje Industry Canada. Za omejitve potencialnih radijskih motenj za druge uporabnike je treba vrsto antene in njeno ojačanje izbrati tako, da njena ekvivalentna izotropno sevana moč (e.i.r.p) ni višja, kot je potrebno za uspešno komunikacijo.

Oznake na izdelku si lahko ogledate, če odstranite tesnilni obruč ter vstavke iz penaste gume z desnega naušnika.

Registrirane blagovne znamke

Besedna znamka in logotipi *Bluetooth®* so registrirane blagovne znamke v lasti *Bluetooth SIG, inc.*. Vsaka uporaba teh oznak s strani Husqvarna je na podlagi licence.

Varnost

Varnostne definicije

Opozorila, svarila in opombe opozarjajo na posebej pomembne dele priročnika.



OPOZORILO: Se uporabi, če obstaja nevarnost telesne poškodbe ali smrti uporabnika ali opazovalcev ob neupoštevanju navodil v tem priročniku.



POZOR: Se uporabi, če obstaja nevarnost poškodbe izdelka, drugih materialov ali okolice ob neupoštevanju navodil v tem priročniku.

Opomba: Se uporabi za podajanje podrobnejših informacij, potrebnih v dani situaciji.

Splošna varnost



OPOZORILO: Pred uporabo izdelka preberite navodila v povezavi z opozorili v nadaljevanju.

- Uporaba in shranjevanje teh navodil.
- Za optimalno prileganje in delovanje preverite, ali ste izbrali pravi izdelek za namen uporabe.
- Ne spreminjajte ali odstranjujte delov izdelka. Izvajajte samo spremembe, ki so navedene v teh navodilih za uporabo.
- Stopnja zmanjševanja hrupa izdelka se lahko ob neupoštevanju navodil za uporabo močno zmanjša. Glušniki, še posebej blazinice, se lahko sčasoma

obrabijo, zato morate biti redno pozorni na morebitne razpoke in poškodbe. Glejte, *Vzdrževanje na strani 189*.

- Nekatere kemične snovi lahko škodljivo vplivajo na ta izdelek. Za dodatne informacije se je treba obrniti na proizvajalca. Ne izpostavljajte agresivnim sredstvom in izdelek redno čistite. Uporabljajte krpo in milnico. Ne operite ali potopite v vodo.
- Vse servise in popravila lahko izvaja samo pooblaščen servisna delavnica. Uporabljajte samo originalne nadomestne dele Husqvarna.
- Glušnikov nikoli ne uporabljajte, če so starejši od 10 let, od datuma izdelave, navedenega na embalaži.
- Delovanje izdelka se lahko poslabša s porabo akumulatorske baterije.

Varnostna navodila za uporabo

- Uporabnik mora glušnike uporabljati, kadar koli je v hrupnem okolju.
- Med uporabo izdelka bodite previdnejši in pozornejši na opozorilne signale. Med uporabo izdelka so opozorilni zvočni signali lahko pridušeni.
- Slišnost opozorilnih signalov na nekaterih delovnih mestih je lahko znižana med uporabo funkcije središča zabave.
- Med transportom in uporabo izdelka ne sme biti izpostavljen udarcem.
- Izdelek uporabljajte samo v temperaturnem območju med $-20\text{ }^{\circ}\text{C}$ in $+55\text{ }^{\circ}\text{C}$. Med uporabo izdelka v drugih temperaturnih območjih lahko pride do poškodb elektronskih delov, akumulatorske baterije in mehanskih delov.
- Pred začetkom uporabe se morate seznaniti z načinom uporabe izdelka. V primeru poškodbe izdelka se obrnite na serviserja. Ne odpirajte ohišja!

- Če na blazinice namestite higiensko zaščito, lahko to vpliva na akustično zmogljivost glušnikov. Uporabljajte samo originalno dodatno opremo.
- Glušnikov ne pritiskajte ob lupino čelade. V tem primeru lahko pride do razpok ob straneh čelade.

(Sl. 4)

- Izdelka ne shranjujte pri temperaturah nad +55 °C, na primer na armaturni plošči. Izdelka ne shranjujte pri temperaturah pod -20 °C.
- Uporabnik mora glušnike nositi in vzdrževati v skladu s temi navodili za uporabo.
- Glušniki so opremljeni z varnostnim zvočnim vhodom. Uporabnik mora pred uporabo preveriti pravilno delovanje. Če uporabnik opazi deformacije ali napako, se mora seznaniti z nasveti proizvajalca glede vzdrževanja.

Varna uporaba baterije

- Glušnik se ponša s funkcijo nivojskega zniževanja ravni hrupa. Uporabnik mora pred uporabo preveriti pravilno delovanje. Če uporabnik opazi deformacije ali napako, mora slediti navodilom proizvajalca glede vzdrževanja.
- V izdelku so akumulatorska baterija in električni sestavni deli, ki lahko v vnetljivih ali eksplozivnih ozračjih povzročijo vžig. Ne uporabljajte v okoljih, kjer lahko iskre povzročijo požar ali eksplozijo.
- Polnite samo v temperaturnem območju med 0 °C in +40 °C. Polnjenje zunaj tega temperaturnega območja lahko poškoduje elektroniko in akumulatorsko baterijo.

Montaža

Uvod



OPOZORILO: Pred nameščanjem izdelka, odmaknite lase. Pred uporabo izdelka se morajo tesnilni obročki tesno prilagati glavi in okrog ušes.

Namestitev glušnikov z naglavnim trakom

1. Naglavni trak položite prek glave.
2. Glušnika premaknite navzgor ali navzdol, da prilagodite višino. (Sl. 5)

Namestitev glušnikov na čelado

1. Pritrdite ustrezno vrsto nastavka na lupino čelade. Glejte, *Homologirane čelade na strani 190*.
2. Pritrdite vilice čelade na nastavek. (Sl. 6)

Opomba: Glejte, *Homologirane čelade na strani 190* za več informacij o tem, kateri nastavek za čelado je primeren za vašo čelado.

3. Glušnika spustite v najnižji položaj.
4. Glušnika povlecite navzven in ju dvignite dokler se ne zaskočita v položaj za stanje pripravljenosti. (Sl. 7)
5. Označite kabel.
 - a) Pri čeladi H300 napravite oznako 27 cm/11 palcev (Y) od posameznega glušnika.
 - b) Pri čeladi Spire Vent X napravite oznako 14,5 cm/6 palcev (Y) od posameznega glušnika. (Sl. 8)
6. Nastavek vstavite v režo v čeladi. (Sl. 9)
7. Sledite navodilom za sestavljanje, ki veljajo za vašo čelado.



POZOR: Kabel ne sme biti zviti ali preozko prelomljen. Kabel se mora prosto premikati v odprtini čelade.

Namestitev glušnikov na čelado H300

1. Naglavni pasček odprite s čelade. (Sl. 10)
2. Kabel pritrdite v odprtino s kabelskimi vezicami ali sponkami. (Sl. 11)
3. Če pritrdite kabel s kabelskimi vezicami, odrežite kabelsko vezico in del kabelske vezice z jezičkom potisnite v stransko režo.
4. Kabel zvijte v zanko in namestite naglavni pasček ter zaščito za vrat. Kabel mora biti med lupino čelade in naglavnim pasčkom. (Sl. 12)

Namestitev glušnikov na čelado Spire Vent X

1. Kabel vstavite v zanki proti zadnjemu delu.
2. Kabel pritrdite na naglavni pasček s kabelskimi vezicami. Kabelsko vezico speljite skozi zadnji del naglavnega traku.
3. Odrežite kabelsko vezico.
4. Preostali del kabla v zanki speljite nazaj za zadnji del naglavnega traku. (Sl. 13)

Prestavitev glušnikov v delovni položaj

1. Nataknite čelado na glavo.
2. Glušnika prilagodite tako, da se bosta tesno prilagala ušesom in glavi. (Sl. 14)

Postavitev glušnikov v položaj za mirovanje

- Glušnika povlecite navzven in ju dvignite dokler se ne zaskočita v položaj za stanje pripravljenosti. (Sl. 15)

Postavitev glušnikov v vmesni položaj

1. Glušnika premaknite v položaj za stanje pripravljenosti. Glejte, *Postavitev glušnikov v položaj za mirovanje na strani 187*.
2. Glušnika zasukajte nazaj na stran čelade, dokler se ne zakleneta v vmesnem položaju. (Sl. 16)

Priključitev mikrofona na nosilcu

V hrupnih okoljih uporabljajte mikrofona na nosilcu.

1. Pritrдите vetni filter na mikrofona na nosilcu.
2. Mikrofona na nosilcu priklopite v vtičnico za mikrofona na desnem glušniku. (Sl. 17)
3. Mikrofona na nosilcu namestite 1 cm/0,4 palca (A) od ust.

Delovanje

Uvod



OPOZORILO: Pred uporabo izdelka morate prebrati in razumeti poglavje o varnosti.

Polnjenje izdelka

1. Priključek USB-C polnilnega kabla priključite v vtičnico na levem glušniku. (Sl. 18)
2. Priključek USB polnilnega kabla priključite v polnilnik USB ali drugo vtičnico USB.

Opomba: Zmogljivost vtičnice mora biti 5 V in 2 A za polnjenje z najvišjo hitrostjo.

Opomba: LED-indikator na gumbu Bluetooth® počasi utripa zeleno, ko se akumulatorska baterija polni. LED-indikator na gumbu Bluetooth® svetli zeleno, ko je akumulatorska baterija polna.

Zagonski izdelki

- Pritisnite in za 1 sekundo pridržite gumb za vklop/izklop.

Opomba: Zvočni signal sporoči, da je izdelek vklopljen. Zvočno sporočilo vam sporoči stanje akumulatorske baterije in količino naprav, ki so povezane prek brezžične tehnologije Bluetooth®.

Zvočna sporočila
BATTERY HIGH
BATTERY MEDIUM
BATTERY LOW
BATTERY CRITICAL

Zvočna sporočila	LED-indikator na gumbu Bluetooth®
ONE BLUETOOTH DEVICE CONNECTED	LED je modre barve.
TWO BLUETOOTH DEVICES CONNECTED	

Preklop med načinom radia FM in načinom Bluetooth®

- Dvakrat hitro pritisnite gumb za preklop načina, ko želite preklopiti med načinom radia FM in načinom Bluetooth®.

Opomba: Zvočno sporočilo vam sporoči, kateri način ste izbrali. Glejte spodnjo tabelo.

Zvočna sporočila
RADIO
BLUETOOTH

Način FM-radia

V načinu FM-radia lahko poslušate radijske postaje FM.

Spreminjanje radijskih postaj FM

- Pritisnite in za 1 sekundo pridržite gumb za zvišanje glasnosti ali gumb za znižanje glasnosti, če želite zamenjati radijsko postajo FM.

Način Bluetooth®

V načinu Bluetooth® lahko svoj izdelek povežete z napravo prek brezžične tehnologije Bluetooth®.

Seznanjanje naprav Bluetooth®

1. Pritisnite in za 2 sekundi pridržite gumb Bluetooth®, da začnete postopek seznanjanja v svoji napravi.

Opomba: Postopek seznanjanja se prične, ko se oglasi zvočni signal in gumb Bluetooth® utripa modro. Postopek seznanjanja je aktiven 30 sekund.

- Začnite postopek seznanjanja za brezžično tehnologijo Bluetooth® v napravi.
- Po potrebi s seznama enot v svoji napravi izberite Husqvarna X-COM Active.

Opomba: Zvočno sporočilo vas seznanja s stanjem izdelka. Glejte spodnjo tabelo.

Zvočna sporočila	LED-indikator na gumbu Bluetooth®	Informacije
BLUETOOTH DEVICE CONNECTED	Neprekinjeno sveti modro.	Izdelek je povezan z napravo prek brezžične tehnologije Bluetooth®.
BLUETOOTH CONNECTION FAILED	2 sekundi sveti neprekinjeno rdeče.	Izdelek ni povezan z napravo prek brezžične tehnologije Bluetooth®.

Opomba: Naprava z brezžično tehnologijo Bluetooth®, ki je povezana z vašim izdelkom, se ob naslednji uporabi izdelka samodejno poveže z vašim izdelkom.

Sprememba pretakanja zvoka

- Pritisnite in za 0,5 sekunde pridržite gumb za zvišanje glasnosti, da izberete naslednje pretakanje zvoka.
- Pritisnite in za 0,5 sekunde pridržite gumb za znižanje glasnosti, da izberete prejšnje pretakanje zvoka.

Konec ali začetek pretakanja zvoka

- Pritisnite gumb za preklon načina, če želite končati ali začeti pretakanje zvoka.

Sprejem, konec ali zavrnitev telefonskega klica

Če je vaša mobilna naprava povezana z izdelkom prek brezžične tehnologije Bluetooth®, boste v primeru dohodnega klica v glušnikih slišali signal.

- Za sprejem ali konec telefonskega klica pritisnite gumb za preklon načina.

- Za 1 sekundo pritisnite gumb za preklon načina, če želite zavrniti dohodni telefonski klic.

Opomba: Zvočni signal vam sporoči, ko sprejmete ali zavrnite telefonski klic.

Zvočna sporočila	Informacije
CALL ENDED	Telefonski klic je končan.

Nastavitev glasnosti

- Za nastavitev glasnosti pritisnite gumb za zvišanje ali znižanje glasnosti. Zvočni signal vam sporoči, ko je glasnost na najnižji ali najvišji ravni.

Preklon v način zvoka iz okolice

Način zvoka iz okolice vam omogoča, da slišite zvoke okoli sebe.

- Pritisnite gumb za način zvoka iz okolice.

Opomba: Zvočno sporočilo vas seznanja s stanjem načina zvoka iz okolice.

Zvočna sporočila
AMBIENT LEVEL HIGH
AMBIENT LEVEL MEDIUM
AMBIENT LEVEL LOW
AMBIENT LEVEL OFF

Zaustavitev izdelka

- Pritisnite in za 1 sekundo pridržite gumb za vklop/izklop.

Opomba: Zvočno sporočilo vas seznanja s stanjem akumulatorske baterije in LED-indikatorji prenehajo svetiti. Zvočni signal sporoči, da je izdelek izklopljen.

Prisilni izklop izdelka

- Pritisnite in za 12 sekund pridržite gumb za vklop/izklop.

Vzdrževanje

Vzdrževanje izdelka



POZOR: Izdelka ne izpirajte ali potaplajte v vodo.



POZOR: Razpršila, tekočine ali druga čistilna sredstva, ki vsebujejo topila in/ali alkohol, lahko zmanjšajo učinkovitost zaščitne funkcije.



POZOR: Uporabljajte originalne nadomestne dele Husqvarna.

1. Redno čistite izdelek. Uporabite krpo in blago milnico.
2. Pred vsako uporabo preverite stanje tesnilnih obročkov in vložkov iz penaste gume.
3. Na vsakih 6 mesecev ali po potrebi pogosteje zamenjajte tesnilne obročke in vložke iz penaste gume. Zračna odprtina na tesnilnem obročku naj bo med sestavljanjem obrnjena navzdol. Uporabite originalni komplet za higieno, ki vključuje tesnilne obročke in vložke iz penaste gume. Za več informacij o kompletu za higieno glejte www.husqvarna.com. (Sl. 19)

Opomba: Če so glušniki na notranji strani mokri, naj se posušijo v vmesnem položaju. Glejte, *Postavitev glušnikov v vmesni položaj na strani 188.*

4. Zamenjajte membrano za mikrofon za govor, če je poškodovana.
5. Zamenjajte vetni filter na od ravni odvisnem mikrofonu, če je poškodovan.
6. Zamenjajte vetni filter na mikrofonu na nosilcu, če je poškodovan.
7. Po potrebi zamenjajte mehko blazinico na naglavnem traku. (Sl. 20)

Transport skladiščenje in odstranitev

Prevoz in skladiščenje



POZOR: Med prevozom in shranjevanjem naj bodo glušniki v delovnem položaju, da omejite obrabo plastičnega materiala.

- Glušnike premaknite v delovni položaj. Glejte, *Prestavitev glušnikov v delovni položaj na strani 187.*
- Tesnilni obročki ne smejo biti stisnjeni.
- Izdelek postavite v suh in čist prostor.
- Med shranjevanjem naj izdelek ne bo izpostavljen sončni svetlobi.
- Akumulatorsko baterijo napolnite na vsakih 6 tednov in tako ohranjajte kakovost baterije.

- Izdelek mora biti med prevozom varno spravljen.

Odlaganje

- Spoštujte državne predpise.
- Uporabite lokalni reciklažni sistem.
- Izdelek ali embalaža izdelka ne spadata med gospodinjske odpadke. Treba ga je reciklirati v zbirnem centru za reciklažo električne in elektronske opreme.



Dodatna oprema

Homologirane čelade

Izdelek uporabljajte samo skupaj s spodaj navedenimi čeladami.

Model	Vrsta nastavka za čelado	Grafika adapterja	Homologirane dimenzije
Husqvarna Technical, H300	Adapter H300	(Sl. 21)	M/L
Husqvarna Spire	Adapter Spire	(Sl. 22)	L
KASK Zenith X			

Tehnični podatki

Tehnični podatki

Za tehnične podatke o posameznem izdelku glejte slike v nadaljevanju. Za več tehničnih podatkov glejte dodatni list s tehničnimi podatki v teh navodilih za uporabo.

(Sl. 2)

(Sl. 3)

Za več informacij o vsebini tehničnih podatkov glejte naslednji seznam:

- F = frekvence, pri katerih je izmerjena raven zniževanja.
- Mf = povprečna vrednost.
- Sf = standardno odstopanje.
- APV (Mf-Sf) = ocenjena stopnja zaščite.
- H = rednost zniževanja visokih frekvenc (predvideno zniževanje ravni hrupa pri $L_C-L_A = -2$ dB). M = vrednost zniževanja srednjih frekvenc (predvideno zniževanje ravni hrupa pri $L_C-L_A = +2$ dB). L =

vrednost zniževanja nizkih frekvenc (predvideno zniževanje ravni hrupa pri $L_C-L_A = +10$ dB).

- SNR = enoštevilska ocena (vrednost odšteta od C-vrednotene ravni zvočnega tlaka, L_C , za oceno A-vrednotene ravni zvoka znotraj ušesa).

Odgovoren proizvajalec: Husqvarna AB, SE-561 82 Huskvarna, Švedska, tel.: +46-36-146500.

Raven hrupa

Način FM-radia in načina slušalk imata najvišjo ekvivalentno raven zvoka pri 82 dB (A).

Materiali

Del	Material	Del	Material
Notranja ušesna čašica	ABS	Naglavni trak	POM+TPE
Zunanja ušesna čašica, levo	ABS	Vilice čelade	PA66GF30
Zunanja ušesna čašica, desno	ABS+TPE	Vzmet vilic čelade	Jeklo
Vložki	VIJOLIČNA	Vijaki	Jeklo
Tesnilni obroči	ABS+TPE		

Sadržaj

Uvod.....	192	Transport, skladištenje i odlaganje.....	197
Bezbednost.....	193	Oprema.....	197
Sklapanje.....	194	Tehnički podaci.....	198
Rukovanje.....	195	Appendix	229
Održavanje.....	197		

Uvod

Opis proizvoda

Proizvod X-SYNC (HP500BT-01, HP500BT-02) je štitnik za uši sa ugrađenom dvosmernom komunikacijom,

Pregled proizvoda

(Sl. 1)

1. Dugme za ambijentalni zvuk
2. Mikrofon zavisao od nivoa
3. Bluetooth® dugme
4. Mikrofon za govor
5. Dugme režim
6. Priključak za USB-C kabl punjača
7. Dugme za pojačanje jačine zvuka
8. Dugme za smanjenje jačine zvuka
9. Dugme On/Off (za uključivanje/isključivanje)
10. Izlaz za podesivi mikrofon na držaču

Usaglašenost i odobrenja

Ovim putem, Husqvarna AB, SE-561 82 Huskvarna, Sweden, tel: +46-36-146500, izjavljuje da je radio oprema tipa HP500BT-01 i HP500BT-01 usaglašena sa 2014/53/EU, 2011/65/EU i uredbom (EU) 2016/425. Uredba 2016/425 o ličnoj zaštitnoj opremi, kako je izmenjena za primenu u Velikoj Britaniji. Celokupan tekst EU deklaracije o usaglašenosti i UK deklaracije o usaglašenosti je dostupan na sledećoj internet adresi: www.husqvarna.com; potražite X-SYNC, HP500BT-01, HP500BT-02.

Vrednosti prigušenja buke proizvoda i nivoi buke su testirani i odobreni u skladu sa: EN 352-1:2020 (traka za glavu), EN 352-3:2020 (montirano na šlem), EN 352-4:2020, EN 352-6:2020 i EN 352-8:2020.

Ovlašćeno telo uključeno u procenu usaglašenosti je: Broj ovlašćenog tela 1974. PZT GmbH, Bismarckstraße 264 B, 26389 Wilhelmshaven, Germany.

Broj ovlašćenog tela u Ujedinjenom Kraljevstvu 0321. SATRA Technology Centre, Wyndham Way, Telford Way, Kettering, Northamptonshire, NN16 8SD, UK.

Sertifikacija i monitoring od strane PZT.

Baterija je sertifikovana u skladu sa IEC62133 izdanje 2.

Bluetooth® bežičnom tehnologijom i FM radijom. Model HP500BT-01 je štitnik za uši sa trakom za glavu, a model HP500BT-02 je štitnik za uši za šlem. Proizvod pruža zaštitu od štetne buke.



UK Importer:
Husqvarna UK Ltd
Preston Road, Co. Durham
DL5 6UP

FCC ID: ZASHP500BT, IC ID: 23307-HP500BT

Deklaracija o usaglašenosti FCC dobavljača za HP500BT-01, HP500BT-02 odgovornu stranu.

Husqvarna Professional Products, Inc. 9335 Harris Corners Parkway Suite 500 Charlotte, NC 28269 Sjedinjene Države.

SAD informacije za kontakt: Michael Campbell, menadžer za usaglašenost proizvoda, telefon: +1 704 597 5000.

FCC izjava o usaglašenosti:

Ovaj uređaj je usaglašen sa delom 15 FCC pravila. Rad je podložan sledećim dvama uslovima: (1) Ovaj uređaj ne sme izazivati štetne smetnje i (2) ovaj uređaj mora prihvatiti primljene smetnje, uključujući smetnje koje mogu izazvati neželjeni rad.

Ova oprema je testirana i utvrđeno je da je u skladu sa ograničenjima za digitalne uređaje klase B, u skladu sa delom 15 pravila FCC. Ova ograničenja su uspostavljena radi osiguranja razumne zaštite od štetnih smetnji u stambenim instalacijama. Ova oprema generiše, koristi i može da zrači radiofrekventnu energiju i stoga, u slučaju da nije instalirana i da se ne koristi

u skladu sa uputstvima, može izazvati štetne smetnje koje ometaju radio-komunikacije. Međutim, ne postoje garancije da do smetnji neće doći u određenoj instalaciji. Ako ova oprema izaziva štetne smetnje radio ili televizijskog prijema, što se može utvrditi isključivanjem i uključivanjem opreme, korisniku se savetuje da proba da otkloni smetnje primenom jedne ili više sledećih mera:

- Povećajte rastojanje između opreme i prijemnika.
- Obratite se prodavcu za pomoć.

Oznaka na proizvodu se može pronaći ako uklonite zaptivni prsten i umetak od sunderaste gume na desnom antifonu.

Sadrži modul predajnika IC: 12246A-BM64S2

Ovaj uređaj je usaglašen sa standardima Ministarstva industrije Kanade za radio-standarde izuzete od licence. Rad je podložan sledećim dvama uslovima: (1) ovaj uređaj ne sme izazvati smetnje i (2) ovaj uređaj

mora prihvatati smetnje, uključujući smetnje koje mogu izazvati neželjeni rad uređaja.

Prema propisima Ministarstva industrije Kanade, ovaj radio-predajnik može raditi samo korišćenjem antene tipa i maksimalnog (ili manjeg) dobitanja odobrenog za predajnik od strane Ministarstva industrije Kanade. Kako bi se smanjile potencijalne radio-smetnje drugim korisnicima, tip antene i dobitanje moraju biti tako izabrani da ekvivalent izotropno zračenje snage (e.i.r.p.) nije veći od onog neophodnog za uspešnu komunikaciju.

Oznaka na proizvodu se može pronaći ako uklonite zaptivni prsten i umetak od sunderaste gume na desnom antifonu.

Registrovani žigovi

Oznaka reči *Bluetooth®* i logotipi su registrovani žigovi u vlasništvu kompanije *Bluetooth SIG, inc.* i svaka njihova upotreba od strane kompanije Husqvarna je pod licencom.

Bezbednost

Bezbednosne definicije

Upozorenja, mere opreza i napomene se koriste da ukažu na naročito važne delove korisničkog uputstva.



UPOZORENJE: Koristi se ako, usled nepoštovanja uputstava, postoji rizik od nastanka telesnih povreda ili smrti kod rukovaoca ili prisutnih osoba.



OPREZ: Koristi se ako, usled nepoštovanja uputstava, postoji rizik od nastanka oštećenja na proizvodu, drugim materijalima ili susednim oblastima.

Napomena: Koristi se za pružanje više informacija koje su neophodne u datoj situaciji.

Opšta bezbednost



UPOZORENJE: Pročitajte upozoravajuća uputstva koja slede pre korišćenja proizvoda.

- Pročitajte i sačuvajte ova uputstva.
- Za optimalno uklanjanje i funkcionisanje, pobrinite se da izaberete odgovarajući proizvod za svoju upotrebu.
- Nemojte menjati niti uklanjati delove na proizvodu. Vršite samo one izmene koje su navedene u ovom korisničkom priručniku.
- Stepem prigušenja buke proizvoda će se ozbiljno smanjiti ako ne pratite uputstva u ovom korisničkom priručniku. Antifoni, a posebno jastučići, mogu se

oštetiti upotrebom i trebalo bi ih redovno pregledati da bi se utvrdilo da li imaju pukotina i oštećenja. Pogledajte *Održavanje na stranici 197*.

- Određene hemijske supstance mogu da imaju negativan uticaj na ovaj proizvod. Dodatne informacije možete zatražiti od proizvođača. Držite proizvod dalje od agresivnih supstanci i redovno ga čistite. Koristite krpu sa vodom i sapunicom. Nemojte ga prati ili potapati u vodu.
- Sve servisne i radove popravke mora vršiti ovlašćena servisna radionica. Koristite samo Husqvarna originalne rezervne delove.
- Nikada nemojte da koristite antifone duže od 10 godina od datuma proizvodnje navedenog na pakovanju.
- Funkcionalnost proizvoda može da se pogorša sa potrošnjom baterije.

Bezbednosna uputstva za rukovanje

- Korisnik bi trebalo da se postara da u bučnim okruženjima sve vreme nosi antifone.
- Budite pažljiviji i oslušujte signale upozorenja kada koristite proizvod. Jačina signala upozorenja može biti umanjena kada koristite proizvod.
- Čujnost signala upozorenja na određenom radnom mestu može biti umanjena prilikom korišćenja uređaja za zabavu.
- Vodite računa da proizvod ne bude udaren tokom transporta i korišćenja.
- Koristite proizvod samo na temperaturama između -20 °C i +55 °C. Ako koristite proizvod na drugim temperaturama, to može uzrokovati oštećenje elektronike, baterije i mehaničkih delova.
- Postarajte se da znate kako da koristite proizvod pre njegovog korišćenja. Obratite se servisnom

predstavniku ako postoji oštećenje na proizvodu. Nemojte otvarati oblogu!

- Postavljanje higijenskih presvlak na jastučiće može uticati na akustične performanse antifona. Uvek upotrebljavajte originalnu opremu.
- Nemojte pritiskati antifone o školjku šlema. Ako to uradite, može doći do pukotina oko strane šlema.

(Sl. 4)

- Nemojte ostavljati proizvod na temperaturama iznad +55 °C, na primer, na komandnu tablu. Nemojte skladištiti proizvod na temperaturama ispod -20 °C.
- Korisnik bi trebalo da se postara da su antifoni na mestu, kao i da su podeseni i održavani u skladu sa ovim korisničkim uputstvom.
- Antifon se isporučuje uz bezbednosni audio ulaz. Potrebno je da korisnik proveri ispravan rad pre korišćenja. Ako se otkrije izobličenje ili kvar,

potrebno je da korisnik pogleda proizvođačeve preporuke za održavanje.

Bezbedna upotreba baterije

- Antifon se isporučuje sa prigušenjem zavisnim od nivoa. Potrebno je da korisnik proveri ispravan rad pre korišćenja. Ako se otkrije kvar ili greška, potrebno je da korisnik prati proizvođačeve preporuke za održavanje.
- Proizvod sadrži bateriju i električne komponente koje mogu da dovedu do zapaljenja u zapaljivom ili eksplozivnom okruženju. Ne koristite ih u okruženjima gde varnice mogu da dovedu do požara ili eksplozije.
- Punite proizvod samo u temperaturnom opsegu od 0 °C do +40 °C. Punjenje izvan temperaturnog opsega može oštetiti elektroniku i bateriju.

Sklapanje

Uvod



UPOZORENJE: Pomerite kosu u stranu pre nego što sklopite proizvod. Pobrinite se da zaptivni prstenovi dobro naležu na vašu glavu i oko ušiju pre nego što pustite proizvod u rad.



OPREZ: Pobrinite se da kabl nije uvijen i da nema mali radijus savijanja. Pobrinite se da kabl može lako da prođe kroz otvor šlema.

Postavljanje antifona sa trakom za glavu

1. Postavite traku za glavu preko vrha glave.
2. Pomerite antifone nagore ili nadole da biste prilagodili visinu. (Sl. 5)

Postavljanje antifona na šlem

1. Sklopite ispravan tip priključka adaptera na školjku šlema. Pogledajte *Odobreni šlemovi na stranici 197*.
2. Sklopite viljušku za šlem na priključak adaptera. (Sl. 6)

Napomena: Pogledajte *Odobreni šlemovi na stranici 197* za više informacija o tome koji je držač za šlem pogodan za vaš šlem.

3. Pomerite antifone u najniži položaj.
4. Podignite antifone izvan i nagore dok se ne zaključaju u položaju mirovanja. (Sl. 7)
5. Napravite oznaku na kablju.
 - a) Za šlem H300, napravite oznaku 27 cm / 11 inča (X) od svakog antifona.
 - b) Za šlem Spire Vent X, napravite oznaku 14,5 cm / 6 inča (Y) od svakog antifona. (Sl. 8)
6. Postavite držač za šlem u prerez na šlemu. (Sl. 9)
7. Nastavite da pratite uputstva za sklapanje za vaš odobreni šlem.

Postavljanje antifona na šlem H300

1. Otpustite traku za glavu sa šlema. (Sl. 10)
2. Pričvrstite kabl na otvore pomoću vezica kabla ili spojnice. (Sl. 11)
3. Ako kabl pričvršćujete pomoću vezica kabla, isecite vezicu i gurnite vezicu u bočni otvor.
4. Napravite petlju od kabla i pričvrstite traku za glavu i zaštitu za vrat. Uverite se da je kabl između školjke šlema i trake za glavu. (Sl. 12)

Postavljanje antifona na šlem Spire Vent X

1. Postavite kabl u petlju nazad.
2. Pričvrstite kabl na traku za glavu pomoću vezica kabla. Pričvrstite vezicu kabla kroz zadnju traku trake za glavu.
3. Presecite vezicu kabla.
4. Postavite preostali deo kabla u petlju nazad, iza zadnjeg dela trake za glavu. (Sl. 13)

Stavljanje antifona u položaj za rad

1. Stavite šlem na glavu.
2. Podesite antifone dok ne nalegnu dobro na vaše uši i čvrsto oko vaše glave. (Sl. 14)

Stavljanje antifona u položaj mirovanja

- Podignite antifone izvan i nagore dok se ne zaključaju u položaju mirovanja. (Sl. 15)

Stavljanje antifona u neaktivni položaj

1. Stavite antifone u položaj mirovanja. Pogledajte *Stavljanje antifona u položaj mirovanja na stranici 194.*
2. Okrenite antifone unazad duž ivice šlema dok se ne zaključaju u neaktivnom položaju. (Sl. 16)

Povezivanje podesivog mikrofona na držaču

Koristite podesivi mikrofon na držaču u okruženjima sa jakim bukom.

1. Postavite filter za vetar na podesivi mikrofon na držaču.
2. Povežite podesivi mikrofon na držaču na izlaz za mikrofon na desnom antifonu. (Sl. 17)
3. Postavite podesivi mikrofon na držaču na 1 cm / 0,4 inča (A) od usta.

Rukovanje

Uvod



UPOZORENJE: Pre rada sa proizvodom, morate pročitati i razumeti poglavlje o bezbednosti.

Punjenje proizvoda

1. Povežite USB-C konektor na kablu punjača na priključak na levom antifonu. (Sl. 18)
2. Povežite USB konektor na kablu punjača na USB punjač ili drugi USB priključak.

Napomena: Priključak utičnice mora biti 5 V i 2 A za punjenje pri maksimalnom kapacitetu.

Napomena: LED indikator na Bluetooth® dugmetu trepće polako zeleno kada se baterija puni. LED indikator na Bluetooth® dugmetu je postojane zelene boje kada je baterija u potpunosti napunjena.

Pokretanje proizvoda

- Pritisnite i držite dugme za uključivanje/isključivanje 1 sekundu.

Napomena: Zvučni signal vas obaveštava da je proizvod uključen. Audio poruka vas obaveštava o statusu baterije i broju uređaja koji su povezani Bluetooth® bežičnom tehnologijom.

Audio poruka
BATTERY HIGH
BATTERY MEDIUM
BATTERY LOW
BATTERY CRITICAL

Audio poruka	LED indikator na Bluetooth® dugmetu
ONE BLUETOOTH DEVICE CONNECTED	LED indikator je plave boje.
TWO BLUETOOTH DEVICES CONNECTED	

Promena između režima FM radija i Bluetooth® režima

- Brzo pritisnite dugme režim 2 sekunde da biste promenili između režima FM radija i Bluetooth® režima.

Napomena: Audio poruka vas obaveštava koji ste režim izabrali. Pogledajte tabelu ispod.

Audio poruka
RADIO
BLUETOOTH

Režim FM radija

U režimu FM radija imate pristup FM radiju.

Promena FM radio-stanice

- Pritisnite i držite dugme za pojačanje jačine zvuka ili dugme za smanjenje jačine zvuka 1 sekundu da biste promenili FM radio-stanicu.

Bluetooth® režim

U Bluetooth® režimu možete povezati proizvod sa uređajem pomoću Bluetooth® bežične tehnologije.

Obavljanje Bluetooth® operacije uparivanja

1. Pritisnite i držite Bluetooth® dugme 2 sekunde da biste pokrenuli operaciju uparivanja na vašem proizvodu.

Napomena: Operacija uparivanja počinje kada čujete zvučni signal a Bluetooth® dugme trepće plavom bojom. Operacija uparivanja je uključena 30 sekundi.

2. Pokrenite operaciju uparivanja za Bluetooth® bežičnu tehnologiju na uređaju.
3. Ako je potrebno, izaberite Husqvarna X-COM Active na listi jedinica na vašem uređaju.

Napomena: Audio poruka vas obaveštava o statusu proizvoda. Pogledajte tabelu ispod.

Audio poruka	LED indikator na Bluetooth® dugmetu	Informacije
BLUETOOTH DEVICE CONNECTED	Postojana plava boja.	Proizvod je povezan na uređaj pomoću Bluetooth® bežične tehnologije.
BLUETOOTH CONNECTION FAILED	Postojana crvena boja 2 sekunde.	Proizvod nije povezan na uređaj pomoću Bluetooth® bežične tehnologije.

Napomena: Uređaj sa Bluetooth® bežičnom tehnologijom koji je povezan na vaš proizvod, automatski se povezuje na vaš proizvod kada se sledeći put proizvod koristi sa uređajem.

Promena audio striminga

- Pritisnite i držite dugme za pojačanje jačine zvuka 0,5 sekundi da biste izabrali sledeći audio striming.
- Pritisnite i držite dugme za smanjenje jačine zvuka 0,5 sekundi da biste se vratili na prethodni audio striming.

Zaustavljanje ili pokretanje audio striminga

- Pritisnite dugme režim da biste zaustavili ili pokrenuli audio striming.

Prihvatanje, završavanje ili odbacivanje telefonskog poziva

Ako je vaš mobilni uređaj povezan sa proizvodom pomoću Bluetooth® bežične tehnologije, signal se čuje u utifonima kada postoji dolazni telefonski poziv.

- Pritisnite dugme režim da biste prihvatili ili završili telefonski poziv.
- Pritisnite dugme režim 1 sekundu da biste odbacili dolazni telefonski poziv.

Napomena: Zvučni signal vas obaveštava kada je telefonski poziv prihvaćen ili odbačen.

Audio poruka	Informacije
CALL ENDED	Telefonski poziv je završen.

Podešavanje jačine zvuka

- Pritisnite dugme za pojačanje jačine zvuka ili dugme za smanjenje jačine zvuka da biste prilagodili jačinu zvuka. Zvučni signal vas obaveštava kada je jačina zvuka na minimalnom ili maksimalnom nivou.

Podešavanje režima ambijentalnog zvuka

Režim ambijentalnog zvuka vam omogućava da čujete zvukove oko sebe.

- Pritisnite dugme za ambijentalni zvuk.

Napomena: Audio poruka vas obaveštava o statusu režima ambijentalnog zvuka.

Audio poruka
AMBIENT LEVEL HIGH
AMBIENT LEVEL MEDIUM
AMBIENT LEVEL LOW
AMBIENT LEVEL OFF

Zaustavljanje proizvoda

- Pritisnite i držite dugme za uključivanje/isključivanje 1 sekundu.

Napomena: Audio poruka vas obaveštava o statusu baterije i LED indikator se isključuju. Zvučni signal vas obaveštava da je proizvod isključen.

Zaustavljanje proizvoda na silu

- Pritisnite i držite dugme za uključivanje/isključivanje 12 sekundi.

Održavanje

Održavanje proizvoda



OPREZ: Nemojte stavljati proizvod pod mlaz vode ili ga potapati u vodu.



OPREZ: Sprej, tečnosti ili ostala sredstva za čišćenje koja sadrže razređivače i/ili alkohol mogu da umanje zaštitnu funkciju.



OPREZ: Koristite Husqvarna originalne rezervne delove.

1. Redovno čistite proizvod. Koristite krpu i blagi rastvor sapuna.
2. Proverite stanje zaptivnih prstenova i umetaka od sunderaste gume pre svake upotrebe.
3. Zamenite zaptivne prstenove i umetke od sunderaste gume na svakih 6 meseci ili češće ako je potrebno. Uverite se da je otvor za vazduh na zaptivnom prstenu okrenut ka dole za vreme sklapanja. Koristite originalne higijenske komplete koji sadrže zaptivne prstenove i umetke od sunderaste gume. Pogledajte www.husqvarna.com za više informacija o higijenskim kompletima. (Sl. 19)

Napomena: Ako su antifoni vlažni na unutrašnjoj strani, ostavite ih da se osuše u neaktivnom položaju. Pogledajte *Stavljanje antifona u neaktivni položaj na stranici 195*.

4. Zamenite membranu za mikrofon za govor ako je oštećena.
5. Zamenite filter za vetar za mikrofon zavisan od nivoa ako je oštećen.
6. Zamenite filter za vetar na podesivom mikrofONU na držaču ako je oštećen.
7. Zamenite podlogu za udobnost trake za glavu ako je potrebno. (Sl. 20)

Transport, skladištenje i odlaganje

Transport i skladištenje



OPREZ: Tokom transporta i skladištenja postavite antifone u položaj za rad kako bi se smanjilo habanje plastičnog materijala.

- Stavite antifone u položaj za rad. Pogledajte *Stavljanje antifona u položaj za rad na stranici 194*.
- Uverite se da zaptivni prstenovi nisu sabijeni.
- Čuvajte proizvod na suvom i čistom mestu.
- Držite proizvod podalje od sunčeve svetlosti tokom skladištenja.
- Napunite bateriju na svakih 6 nedelja kako bi se očuvao kvalitet baterije.

- Stavite proizvod u siguran prostor tokom transporta.

Odlaganje

- Poštujte nacionalne propise.
- Koristite lokalni sistem za reciklažu.
- Ovaj proizvod ili pakovanje ne treba tretirati kao kućni otpad. Reciklirajte ga na lokaciji za recikliranje električne i elektronske opreme.



Oprema

Odobreni šlemovi

Koristite proizvod samo sa šlemovima navedenim u nastavku.

Model	Tip držača za šlem	Grafički prikaz adaptera	Odobrene dimenzije
Husqvarna Technical, H300	Adapter H300	(Sl. 21)	M/L
Husqvarna Spire	Adapter Spire	(Sl. 22)	L
KASK Zenith X			

Tehnički podaci

Tehnički podaci

Pogledajte ilustracije u nastavku da biste videli tehničke podatke o svakom proizvodu. Za više tehničkih

podataka, pogledajte prilog sa tehničkim podacima u ovom uputstvu za upotrebu.

(Sl. 2)

(Sl. 3)

Dodatne informacije o sadržaju tehničkih podataka potražite u spisku u nastavku:

- F = frekvencije pri kojima se prigušenje buke meri.
- Mf = srednja vrednost.
- Sf = standardno odstupanje.
- APV (Mf-Sf) = pretpostavljena vrednost zaštite.
- H = vrednost prigušenja buke visoke frekvencije (predviđeno smanjenje nivoa buke za buku gde je $L_C - L_A = -2$ dB). M = vrednost prigušenja buke srednje frekvencije (predviđeno smanjenje nivoa buke za buku gde je $L_C - L_A = +2$ dB).
- L = vrednost prigušenja buke niske frekvencije

(predviđeno smanjenje nivoa buke za buku gde je $L_C - L_A = +10$ dB).

- SNR = stepen prigušenja buke (vrednost koja se oduzima od izmerenog C-ponderisanog nivoa zvučnog pritiska, L_C , kako bi se procenio efektivni A-ponderisani nivo zvuka u uvu).

Odgovorni proizvođač: Husqvarna AB, SE-561 82 Huskvarna, Švedska, tel: +46-36-146500.

Nivo zvuka

Režim FM radija i režim slušalice imaju maksimalni ekvivalentni nivo zvuka od 82 dB (A).

Materijali

Deo	Materijal	Deo	Materijal
Unutrašnja školjka	ABS	Traka za glavu	POM+TPE
Spoljna školjka, leva	ABS	Račva šlema	PA66GF30
Spoljna školjka, desna	ABS+TPE	Opruga račve šlema	Čelik
Umeci	PUR	Šrafovi	Čelik
Zaptivni prstenovi	ABS+TPE		

Innehåll

Introduktion.....	199	Transport, förvaring och kassering.....	204
Säkerhet.....	200	Tillbehör.....	204
Montering.....	201	Tekniska data.....	205
Drift.....	202	Bilaga	229
Underhåll.....	203		

Introduktion

Produktbeskrivning

Produkten X-SYNC (HP500BT-01, HP500BT-02) är ett hörselskydd med inbyggd kommunikation i full

duplex, trådlös Bluetooth®-teknik och FM-radio. Modell HP500BT-01 är ett hörselskydd med hjässsbygel och modell HP500BT-02 är ett hörselskydd för hjälmar. Produkten skyddar mot skadligt ljud.

Produktöversikt

(Fig. 1)

1. Knapp för omgivningsljud
2. Nivåanpassad mikrofon
3. Bluetooth®-knapp
4. Röstmikrofon
5. Lägesknapp
6. Kabeluttag för USB-C-laddare
7. Knapp för att höja volymen
8. Knapp för att sänka volymen
9. På/Av-knapp
10. Uttag för bommikrofon



UK Importer:
Husqvarna UK Ltd
Preston Road, Co. Durham
DL5 6UP

Överensstämmelse och godkännanden

Husqvarna AB, SE-561 82 Huskvarna, Sweden, tel: +46-36-146500, försäkrar härmed att radioutrustningen av typen HP500BT-01 och HP500BT-01 uppfyller kraven i 2014/53/EU, 2011/65/EU och förordning (EU) 2016/425. Förordningen 2016/425 om personlig skyddsutrustning, i dess ändrade lydelse för att gälla i Storbritannien. Du finner den fullständiga EU-försäkran om överensstämmelse och UK-försäkran om överensstämmelse på följande webbadress: www.husqvarna.com: sök efter X-SYNC, HP500BT-01, HP500BT-02.

Produktens dämpningsvärden och ljudnivåer är testade och godkända enligt: EN 352-1:2020 (hjässsbygel), EN 352-3:2020 (hjälmmontering), EN 352-4:2020, EN 352-6:2020 och EN 352-8:2020.

Anmälda organ som deltar i bedömningen av överensstämmelse är: Nummer för anmält organ 1974. PZT GmbH, Bismarckstraße 264 B, 26389 Wilhelmshaven, Germany.

Nummer för anmält organ i Storbritannien 0321. SATRA Technology Centre, Wyndham Way, Telford Way, Kettering, Northamptonshire, NN16 8SD, UK.

Certifiering och övervakning av PZT.

Batteriet är certifierat enligt IEC62133 utgåva 2.

FCC ID: ZASHP500BT, IC ID: 23307-HP500BT

Leverantörens försäkran om FCC-överensstämmelse för HP500BT-01, HP500BT-02 ansvarig part.

Husqvarna Professional Products, Inc. 9335 Harris Corners Parkway Suite 500 Charlotte, NC 28269 USA.

Kontaktuppgifter i USA: James Campbell, Manager Product Compliance, telefon: +1 704 597 5000.

FCC-överensstämmelse:

Enheten uppfyller avsnitt 15 i FCC:s regler. Driften är föremål för följande två villkor: (1) Enheten får inte orsaka skadliga störningar, och (2) enheten måste acceptera alla mottagna störningar, inklusive störningar som kan orsaka önskad drift.

Denna utrustning har testats och uppfyller gränsvärdena för en digital enhet av klass B enligt avsnitt 15 i FCC:s regler. Dessa begränsningar har utformats för att ge rimligt skydd mot skadliga störningar i bostadsmiljö. Utrustningen genererar, använder och kan utstråla radiofrekvensenergi och den kan, om den inte installeras och används i enlighet med instruktionerna, orsaka skadliga radiokommunikationsstörningar. Det finns emellertid ingen garanti för att störning inte kan

inträffa i en viss installation. Om utrustningen orsakar skadliga störningar på radio- eller tv-mottagning, vilket kan avgöras genom att utrustningen stängs av och slås på, bör användaren försöka korrigera störningen med hjälp av en eller flera av följande åtgärder:

- Öka avståndet mellan utrustningen och mottagaren.
- Kontakta återförsäljaren för hjälp.

Du hittar märkningen på produkten om du tar bort tåtningsringen och skumgumminlägget på höger hörselkåpa.

Innehåller sändarmodul IC: 12246A-BM64S2

Enheten uppfyller RSS-standarder som är undantagna Industry Canada-licens. Driften är föremål för följande två villkor: (1) Enheten får inte orsaka störningar, och (2) enheten måste acceptera alla störningar, inklusive störningar som kan orsaka oönskad drift.

Enligt Industry Canada-förordningar får den här radiosändaren endast användas med en antenn av en typ och med maximal (eller lägre) förstärkning som godkänds för sändare av Industry Canada. För att minska potentiella radiostörningar för andra användare måste antenntypen och dess förstärkning väljas så att EIRP (Equivalent Isotropically Radiated Power) inte är större än vad som behövs för lyckad kommunikation.

Du hittar märkningen på produkten om du tar bort tåtningsringen och skumgumminlägget på höger hörselkåpa.

Registrerade varumärken

Ordmärket och logotypen *Bluetooth®* är registrerade varumärken som ägs av *Bluetooth SIG, inc.*, och all användning av sådana märken av Husqvarna sker med licens.

Säkerhet

Säkerhetsdefinitioner

Varningar, försiktighetsåtgärder och anmärkningar används för att betona speciellt viktiga delar i bruksanvisningen.



WARNING: Används om det finns risk för skador eller dödsfall för användaren eller kringstående om anvisningarna i bruksanvisningen inte följs.



OBSERVERA: Används om det finns risk för skada på produkten, annat material eller det angränsande området om anvisningarna i bruksanvisningen inte följs.

Notera: Används för att ge mer information som är nödvändig i en viss situation.

Allmän säkerhet



WARNING: Läs varningsinstruktionerna nedan innan du använder produkten.

- Använd och spara dessa anvisningar.
- För optimal passform och funktion ska du se till att du har valt rätt produkt för din användning.
- Ändra inte och ta inte bort delar på produkten. Utför endast ändringar enligt den här bruksanvisningen.
- Produktens ljuddämpning minskar drastiskt om du inte följer anvisningarna i den här bruksanvisningen. Hörselkåpor, och särskilt kuddar, kan försämrats med användning, och du bör med jämna mellanrum kontrollera att de inte har spruckit eller försämrats. Se *Underhåll på sida 203*.

- Vissa kemiska ämnen kan ha negativ inverkan på denna produkt. Vid behov av ytterligare information bör tillverkaren kontaktas. Håll dig borta från aggressiva ämnen och rengör produkten regelbundet. Använd en trasa med vatten och tvål. Tvätta inte och sänk in ner den helt i vatten.
- Service och reparationer får endast utföras av en auktoriserad serviceverkstad. Använd endast originaltillbehör från Husqvarna.
- Använd aldrig hörselkåpor längre än tio år från tillverkningsdatumet som anges på förpackningen.
- Produktens funktion kan försämrats med batteriförbrukningen.

Säkerhetsinstruktioner för drift

- Du måste alltid använda hörselkåporna i högljudna miljöer.
- Var försiktigare och lyssna efter varningssignaler när du använder produkten. Ljudet från varningssignaler kan minskas när du använder produkten.
- Varningssignalernas hörbarhet vid en viss arbetsplats kan försämrats vid användning av underhållningsfunktionerna.
- Se till att produkten inte utsätts för stötar under transport och användning.
- Använd endast produkten vid temperaturer mellan -20 °C och +55 °C. Om du använder produkten vid andra temperaturer kan det orsaka skador på elektronik, batteri och mekaniska delar.
- Se till att du vet hur du ska använda produkten före användning. Prata med en serviceverkstad om det finns skador på produkten. Öppna inte höljet!
- Om du använder hygienskydd på kuddarna kan det påverka hörselkåpornas akustiska prestanda. Använd alltid originaltillbehör.

- Tryck inte hörselkåporna mot hjälmskalet. Om du gör det kan det leda till sprickor på sidan av hjälmen.

(Fig. 4)

- Placera inte produkten i förvaring vid temperaturer över +55 °C, exempelvis på en instrumentpanel.
- Placera inte produkten i förvaring vid temperaturer under -20 °C.
- Du måste se till att hörselkåporna sitter ordentligt fast och underhålls enligt den här bruksanvisningen.
- Hörselkåporna har en säkerhetsrelaterad ljudingång. Användaren kontrollerar att produkten fungerar som den ska före användning. Om användaren upptäcker förvrängning eller bristande funktion ska tillverkarens anvisningar för underhåll följas.

Batterisäkerhet

- Hörselkåpan är försedd med nivåanpassad dämpning. Användaren kontrollerar att produkten

fungerar som den ska före användning. Om användaren upptäcker felfunktion eller andra fel ska tillverkarens anvisningar för underhåll följas.

- Produkten innehåller ett batteri och elektriska komponenter som kan orsaka antändning i lättantändliga och explosiva miljöer. Använd inte produkten i miljöer där gnistor kan orsaka eldsvåda eller explosion.
- Ladda endast produkten inom temperaturintervallet 0 °C till +40 °C. Laddning utanför temperaturintervallet kan skada elektroniken och batteriet.

Montering

Inledning



VARNING: För undan håret innan du monterar produkten. Se till att tätningringarna sitter tätt mot huvudet och runt öronen innan du använder produkten.

Sätta på sig hörselkåpor med hjässbygel

1. Sätt hjässbygeln på huvudet.
2. Flytta kåporna uppåt eller nedåt för att justera höjden. (Fig. 5)

Montera hörselkåporna på en hjälm

1. Montera rätt typ av adapterfäste på hjälmskalet. Se *Godkända hjälmar på sida 204*.
2. Montera hjälmgaffeln på tillbehörsadaptern. (Fig. 6)

Notera: Se *Godkända hjälmar på sida 204* för mer information om vilket hjälmfäste som gäller för din hjälm.

3. Flytta hörselkåporna till det lägsta läget.
4. Lyft hörselkåporna utåt och uppåt så att de låser sig i standbyläge. (Fig. 7)
5. Gör en markering på kabeln.
 - a) För hjälmen H300 ska du göra en markering 27 cm (X) från varje hörselkåpa.
 - b) För hjälmen Spire Vent X ska du göra en markering 14,5 cm (Y) från varje hörselkåpa. (Fig. 8)
6. Placera hjälmfästet i spåret på hjälmen. (Fig. 9)

7. Gå vidare till monteringsanvisningar för just din godkända hjälm.



OBSERVERA: Se till att kabeln inte är vriden eller har liten böjningsradie. Se till att kabeln löper smidigt in i öppningen på hjälmen.

Montera hörselkåporna på hjälmen H300

1. Lossa inredningen från hjälmen. (Fig. 10)
2. Anslut kabeln till hålen med buntbanden eller klämmorna. (Fig. 11)
3. Om du fäster kabeln med buntband klipper du av buntbandet och trycker in buntbandets lås i sidospåret.
4. Gör en ögla på kabeln och fäst inredningen och nackskyddet. Se till att kabeln är mellan hjälmskalet och inredningen. (Fig. 12)

Montera hörselkåporna på hjälmen Spire Vent X

1. Lägg kabeln i en ögla bakåt.
2. Fäst kabeln vid inredningen med buntband. Sätt fast buntbandet genom hjässbygeln bakersta rem.
3. Klipp av buntbandet.
4. Lägg den återstående delen av kabeln i en ögla bakåt, bakom den bakre hjässbygeln. (Fig. 13)

Sätta hörselkåporna i arbetsläge

1. Sätt hjälmen på huvudet.
2. Justera hörselkåporna tills de sitter tätt runt öronen och tätt mot huvudet. (Fig. 14)

Sätta hörselkåporna i standbyläge ()

- Lyft hörselkåporna utåt och uppåt så att de låser sig i standbyläge. (Fig. 15)

Sätta hörselkåporna i parkeringsläge ()

1. Sätt hörselkåporna i standbyläge. Se *Sätta hörselkåporna i standbyläge () på sida 202*.
2. Vrid hörselkåporna bakåt längs sidan av hjälmen tills de låser sig i parkeringsläge. (Fig. 16)

Drift

Introduktion



WARNING: Innan du använder produkten måste du läsa igenom och förstå kapitlet om säkerhet.

Ladda produkten

1. Anslut USB-C-kontakten på laddningskabeln till utgången på vänster hörselkåpa. (Fig. 18)
2. Anslut USB-kontakten på laddningskabeln till en USB-laddare eller ett annat USB-eluttag.

Notera: Eluttags uteffekt måste vara 5 V och 2 A för att ladda med maximal kapacitet.

Notera: LED-kontrolllampan på Bluetooth®-knappen blinkar långsamt grönt när batteriet laddas. LED-kontrolllampan på Bluetooth®-knappen lyser med fast grönt sken när batteriet är fulladdat.

Starta produkten

- Håll på/av-knappen intryckt en sekund.

Notera: En ljudsignal indikerar att produkten är påslagen. Ett ljudmeddelande uppger batteristatusen och antalet enheter som är anslutna via trådlös Bluetooth®-teknik.

Ljudmeddelande
BATTERY HIGH
BATTERY MEDIUM
BATTERY LOW
BATTERY CRITICAL

Ansluta bommikrofonen

Använd en bommikrofon i miljöer med högt ljud.

1. Montera vindfiltret på bommikrofonen.
2. Anslut bommikrofonen till mikrofonuttaget på höger hörselkåpa. (Fig. 17)
3. Placera bommikrofonen 1 cm (A) från munnen.

Ljudmeddelande	LED-kontrolllampan på Bluetooth®-knappen
ONE BLUETOOTH DEVICE CONNECTED	Lampan är blå.
TWO BLUETOOTH DEVICES CONNECTED	

Växla mellan FM-radioläge och Bluetooth®-läge

- Tryck snabbt två gånger på lägesknappen för att växla mellan FM-radioläge och Bluetooth®-läge.

Notera: Ett ljudmeddelande uppger vilket läge du har valt. Se tabellen nedan.

Ljudmeddelande
RADIO
BLUETOOTH

FM-radioläge

I FM-radioläge har du tillgång till FM-radio.

Byta FM-radiostation

- Håll knappen för att höja volymen eller knappen för att sänka volymen intryckt en sekund för att byta FM-radiostation.

Bluetooth®-läge

I Bluetooth®-läge kan du ansluta produkten till en enhet med trådlös Bluetooth®-teknik.

Parkoppla med Bluetooth®

1. Håll Bluetooth®-knappen intryckt två sekunder för att starta produktens parkopplingsfunktion.

Notera: Parkopplingen startar när du hör ett pip och Bluetooth®-knappen blinkar blått. Parkopplingen är aktiverad i 30 sekunder.

2. Starta parkopplingsfunktionen för trådlös Bluetooth®-teknik på enheten.
3. Välj Husqvarna X-COM Active i listan över enheter på din enhet om det behövs.

Notera: Ett ljudmeddelande uppger produktens status. Se tabellen nedan.

Ljudmeddelande	LED-kontrolllampan på Bluetooth®-knappen	Information
BLUETOOTH DEVICE CONNECTED	Fast blått sken.	Produkten är ansluten till en enhet med trådlös Bluetooth®-teknik.
BLUETOOTH CONNECTION FAILED	Fast rött sken i två sekunder.	Produkten är inte ansluten till en enhet med trådlös Bluetooth®-teknik.

Notera: En enhet med trådlös Bluetooth®-teknik som är ansluten till produkten ansluter automatiskt till din produkt nästa gång produkten används med enheten.

Ändra ljudströmning

- Håll knappen för att höja volymen intryckt 0,5 sekunder för att välja nästa ljudströmning.
- Håll knapp för att sänka volymen intryckt 0,5 sekunder för att välja föregående ljudströmning.

Stoppa eller starta ljudströmning

- Tryck på lägesknappen för att stoppa eller starta ljudströmningen.

Ta emot, avsluta eller avvisa ett telefonsamtal

Om din mobila enhet är ansluten till produkten via trådlös Bluetooth®-teknik hörs en signal i hörselkåporna när du får ett inkommande telefonsamtal.

- Tryck på lägesknappen för att ta emot eller avsluta ett samtal.
- Tryck på lägesknappen en sekund om du vill avvisa ett inkommande telefonsamtal.

Notera: En ljudsignal anger när samtalet har tagits emot eller avvisats.

Ljudmeddelande	Information
CALL ENDED	Telefonsamtalet har avslutats.

Justera volymen

- Tryck på knappen för att höja volymen eller knappen för att sänka volymen för att ställa in ljudvolymen. En ljudsignal anger när volymen nått den lägsta eller högsta nivån.

Ställa in läget för omgivningsljud

Med läget för omgivningsljud kan du höra ljuden omkring dig.

- Tryck på knappen för omgivningsljud.

Notera: Ett ljudmeddelande uppger statusen för läget för omgivningsljud.

Ljudmeddelande
AMBIENT LEVEL HIGH
AMBIENT LEVEL MEDIUM
AMBIENT LEVEL LOW
AMBIENT LEVEL OFF

Stoppa produkten

- Håll på/av-knappen intryckt en sekund.

Notera: Ett ljudmeddelande uppger batteristatusen och lamporna slocknar. En ljudsignal indikerar att produkten är avstängd.

Tvinga fram produktstopp

- Håll på/av-knappen intryckt tolv sekunder.

Underhåll

Underhålla produkten



OBSERVERA: Spola inte och placera inte produkten helt i vatten.



OBSERVERA: Spray, vätskor och andra rengöringsmedel som innehåller lösningsmedel och/eller alkohol kan försämra skyddsfunktionen.



OBSERVERA: Använd Husqvarna-originaldelar.

1. Rengör produkten regelbundet. Använd en trasa och mild tvålösning.
2. Kontrollera skicket på tätningsringarna och skumgummiinläggen före varje användning.
3. Byt ut tätningsringarna och skumgummiinläggen var sjätte månad eller oftare om det behövs. Se till att lufthålet på tätningsringen pekar nedåt vid montering. Använd det ursprungliga hygienkitet som innehåller tätningsringarna och skumgummiinläggen. Se www.husqvarna.com för information om hygienkitet. (Fig. 19)

Notera: Om hörselkåporna är våta på insidan ska du låta dem torka i parkeringsläge. Se *Sätta hörselkåporna i parkeringsläge () på sida 202.*

4. Byt ut röstmikrofonens membran om det är skadat.
5. Byt ut vindfiltret på den nivåanpassade mikrofonen om det är skadat.
6. Byt ut vindfiltret på bommikrofonen om det är skadat.
7. Byt ut vadderingsringen på hjässbygeln om det behövs. (Fig. 20)

Transport, förvaring och kassering

Transport och förvaring



OBSERVERA: Placera hörselkåporna i arbetsläge för att minska slitage på plastmaterialet under transport och förvaring.

- Sätt hörselkåporna i arbetsläget. Se *Sätta hörselkåporna i arbetsläge på sida 201.*
- Se till att tätningsringarna inte är komprimerade.
- Placera produkten i ett torrt och rent utrymme.
- Se till att produkten inte utsätts för solljus vid förvaring.
- Ladda batteriet var sjätte vecka för att behålla kvaliteten på batteriet.

- Placera produkten på en säker plats under transport.

Avfallshantering

- Följ nationella föreskrifter.
- Använd det lokala återvinningssystemet.
- Produkten eller dess förpackning är inte hushållsavfall. Återvinn den vid en återvinningsstation för elektrisk och elektronisk utrustning.



Tillbehör

Godkända hjälmar

Använd endast produkten med hjälmarna nedan.

Modell	Typ av hjälmfäste	Bild på adapter	Godkända mått
Husqvarna Technical, H300	Adapter H300	(Fig. 21)	M/L
Husqvarna Spire	Adapter Spire	(Fig. 22)	L
KASK Zenith X			

Tekniska data

Tekniska data

Bilderna nedan innehåller tekniska data för alla produkter. Fler tekniska data finns i bilagan med tekniska data i den här bruksanvisningen.

(Fig. 2)

(Fig. 3)

Mer information om innehållet i avsnittet om tekniska data finns i följande lista:

- F = frekvenser där dämpning mäts.
- Mf = medelvärde.
- Sf = standardavvikelse.
- APV (Mf-Sf) = förväntat skyddsvärde.
- H = dämpningsvärde vid högfrekvent buller (förväntad ljudnivåreducering för buller där $L_C - L_A = -2$ dB). M = dämpningsvärde vid mellanfrekvent buller (förväntad ljudnivåreducering för buller där $L_C - L_A = +2$ dB). L = dämpningsvärde vid lågfrekvent

buller (förväntad ljudnivåreducering för buller $L_C - L_A = +10$ dB).

- SNR = Single Number Rating (det värde som dras bort från uppmätt C-viktad ljudtrycksnivå, L_C , för att uppskatta effektiv A-viktad ljudnivå i örat).

Ansvarig tillverkare: Husqvarna AB, 561 82 Huskvarna, Sverige, tel: +46-36-146500.

Ljudnivå

FM-radioläge och headsetläge har en maximal ekvivalent ljudnivå 82 dB (A).

Material

Del	Material	Del	Material
Inre öronskydd	ABS	Hjässbygel	POM+TPE
Yttre öronskydd, vänster	ABS	Hjälmgaffel	PA66GF30
Yttre öronskydd, höger	ABS+TPE	Hjälmgaffelfjäder	Stål
Inlägg	LILA	Skruvur	Stål
Tätningringar	ABS+TPE		

İçindekiler

Giriş.....	206	Taşıma, depolama ve atma.....	211
Güvenlik.....	207	Aksesuarlar.....	211
Montaj.....	208	Teknik veriler.....	212
Çalışma.....	209	Ek	229
Bakım.....	210		

Giriş

Ürün açıklaması

X-SYNC (HP500BT-01, HP500BT-02) ürünü, entegre tam çift taraflı iletişim, *Bluetooth® kablosuz teknoloji*si ve FM radyo özelliklerine sahip bir kulak koruma

Ürüne genel bakış

(Şek. 1)

1. Ortam sesi düğmesi
2. Seviyeye bağlı mikrofon
3. Bluetooth® düğmesi
4. Konuşma mikrofonu
5. Mod düğmesi
6. USB-C şarj kablosu çıkışı
7. Ses seviyesi artırma düğmesi
8. Ses seviyesi azaltma düğmesi
9. On/Off düğmesi
10. Boom mikrofon çıkışı

Uyumluluk ve onaylar

Husqvarna AB, SE-561 82 Huskvarna, Sweden, tel: +46-36-146500 işbu belgeyle HP500BT-01 ve HP500BT-01 radyo ekipmanı türünün 2014/53/EU, 2011/65/EU ve (EU) 2016/425 düzenlemesine uygun olduğunu beyan eder. Kişisel koruyucu ekipmanlarla ilgili düzenleme 2016/425, Büyük Britanya için geçerli olmak üzere değiştirilmiştir. AB uyumluluk bildirim ve Birleşik Krallık uyumluluk bildirim metinlerinin tamamı, şu internet adresinde mevcuttur: www.husqvarna.com; X-SYNC, HP500BT-01, HP500BT-02 ögesini arayın.

Ürün azaltma değerleri ve gürültü düzeyleri şunlara göre test edilip onaylanmıştır: EN 352-1:2020 (kafa bandı), EN 352-3:2020 (barete monte) EN 352-4:2020, EN 352-6:2020 ve EN 352-8:2020.

Uyumluluk değerlendirmesini yapan onaylanmış kuruluş: Onaylanmış kuruluş numarası 1974. PZT GmbH, Bismarckstraße 264 B, 26389 Wilhelmshaven, Germany.

Onaylanmış kuruluş Birleşik Krallık numarası 0321. SATRA Technology Centre, Wyndham Way, Telford Way, Kettering, Northamptonshire, NN16 8SD, UK.

PZT tarafından Sertifikalandırma ve İzleme.

Akü, IEC62133 sürüm 2 uyarınca sertifikalıdır.

ekipmandır. HP500BT-01 modeli, kafa bantlı bir kulak koruma ekipmandır ve HP500BT-02 modeli baret için bir kulak koruma ekipmandır. Ürün zararlı gürültüye karşı koruma sağlar.



UK Importer:
Husqvarna UK Ltd
Preston Road, Co. Durham
DL5 6UP

FCC ID: ZASHP500BT, IC ID: 23307-HP500BT

HP500BT-01, HP500BT-02 Sorumlu Taraf için FCC Tedarikçi Uyumluluk Bildirimi.

Husqvarna Professional Products, Inc. 9335 Harris Corners Parkway Suite 500 Charlotte, NC 28269, ABD.

ABD İletişim Bilgileri: Michael Campbell, Ürün Uyumluluğu Müdürü, Telefon: +1 704 597 5000.

FCC Uyumluluk Bildirimi:

Bu cihaz FCC Kuralları Bölüm 15 ile uyumludur. Cihazın kullanımı şu iki koşula bağlıdır: (1) Bu cihaz zararlı girişime neden olamaz ve (2) bu cihaz, istenmeyen çalışmalara neden olabilecek girişimler dahil olmak üzere tüm girişimleri kabul etmelidir.

Bu ekipman test edilmiş ve ekipmanın FCC Kuralları kısım 15'e uygun olarak B Sınıfı dijital cihaz sınırlamalarına uyduğu tespit edilmiştir. Bu sınırlar, konut için kurulumda zararlı girişime karşı makul koruma sağlamak üzere tasarlanmıştır. Bu ekipman radyo frekansı enerjisi üretir, kullanır ve yayabilir; talimatlara uygun olarak kurulmaz ve kullanılmazsa radyo iletişimde zararlı girişime neden olabilir.

Bununla birlikte, belirli bir kurulumda girişime neden olmayacağına dair bir garanti bulunmamaktadır. Bu cihaz, açıp kapatılması ile belirlenebilen şekilde, radyo veya televizyon sinyallerinin alımında zararlı girişimlere neden oluyorsa kullanıcı aşağıdaki önlemlerden birini veya birkaçını kullanarak girişimi düzeltmeye çalışmalıdır:

- Cihaz ile alıcı arasındaki mesafeyi artırın.
- Yardım için bayiye danışın.

Ürün üzerindeki işaret, sağ kulaklık üzerindeki keçe bileziği ve köpük lastik parça çıkarılarak bulunabilir.

IC verici modülü içerir: 12246A-BM64S2

Bu cihaz, Industry Canada lisansından muaf RSS standartları ile uyumludur. Cihazın kullanımı şu iki koşula bağlıdır: (1) Bu cihaz girişime neden olamaz ve (2) bu cihaz, istenmeyen çalışmaya neden olabilecek girişim dahil tüm girişimleri kabul etmelidir.

Industry Canada düzenlemeleri uyarınca bu telsiz vericisi, yalnızca Industry Canada tarafından verici için onaylanan ve maksimum (veya daha az) kazançla sahip olan bir anten tipi kullanılarak çalışabilir. Diğer kullanıcıların maruz kalabileceği olası radyo girişimini azaltmak için eşdeğer izotropik yayılım gücünün (e.i.r.p.) başarılı iletimi için gereken denizden fazla olmadığı bir anten tipi ve kazancı seçilmelidir.

Ürün üzerindeki işaret, sağ kulaklık üzerindeki keçe bileziği ve köpük lastik parça çıkarılarak bulunabilir.

Tescilli ticari markalar

Bluetooth® marka ismi ve logoları, *Bluetooth SIG, inc.* mülkiyetinde olan tescilli ticari markalardır ve Husqvarna, bu tür markaları ruhsatlı olarak kullanmaktadır.

Güvenlik

Güvenlik tanımları

Kılavuzdaki önemli kısımları vurgulamak için uyarılar ve notlar kullanılmıştır.



UYARI: Kılavuzdaki talimatlara uyulmadığı takdirde operatör veya çevredeki kişiler için ciddi yaralanma veya ölüm tehlikesi varsa kullanılır.



DİKKAT: Kılavuzdaki talimatlara uyulmadığı takdirde ürünün, diğer malzemelerin veya çevrenin zarar görme riski olduğunda kullanılır.

Not: Belirli bir durumda bilgi verilmesi gerektiğinde kullanılır.

Genel güvenlik



UYARI: Ürünü kullanmadan önce aşağıdaki uyarı talimatlarını okuyun.

- Bu talimatları uygulayın ve kaybetmeyin.
- En iyi uyumu ve işlevselliği sağlayabilmek için kullanımınıza uygun doğru ürünü seçtiğinizden emin olun.
- Üründeki parçaları değiştirmeyin veya çıkarmayın. Yalnızca bu kullanım kılavuzunda belirtilen değişiklikleri gerçekleştirin.
- Bu kullanım kılavuzundaki talimatları izlemediğiniz takdirde ürünün gürtülü azaltma performansı önemli ölçüde düşer. Kulaklıklar ve özellikle kulak yastıkları kullanıldıkça yıpranabilir, bunlar çatlak ve sızıntı

bakımından düzenli aralıklarla incelenmelidir. Bkz. *Bakım sayfa: 210.*

- Bu ürün belli kimyasal maddelerden olumsuz etkilenebilir. Daha ayrıntılı bilgiler üreticiden talep edilmelidir. Ürünü aşındırıcı maddelerden uzak tutun ve düzenli olarak temizleyin. Su ve sabun ile birlikte bir bez kullanın. Yıkamayın veya tamamen suya batırmayın.
- Tüm servis ve onarım işleri onaylı bir servis atölyesi tarafından gerçekleştirilmelidir. Yalnızca orijinal Husqvarna yedek parçaları kullanın.
- Kulaklığı, ambalajda belirtilen üretim tarihinden sonraki 10 yıldan daha uzun bir süre boyunca kullanmayın.
- Ürünün işlevselliği, akü tüketimi nedeniyle bozulabilir.

Kullanım için güvenlik talimatları

- Kullanıcının, gürtülü ortamlarda kulaklığı daima takması gerekir.
- Ürünü kullanırken daha dikkatli olun ve uyarı sinyallerini dinleyin. Ürünü kullanırken uyarı sinyallerinden gelen ses azalabilir.
- Eğlence özelliği kullanılırken belirli iş yerindeki uyarı sinyallerinin duyulabilirliği olumsuz etkilenebilir.
- Ürünün taşınma ve kullanım esnasında herhangi bir yere çarpılmadığından emin olun.
- Ürünü yalnızca -20°C ve +55°C arasındaki sıcaklıklarda kullanın. Ürünü bu aralık dışındaki sıcaklıklarda kullanmanız elektronik parçalarda, aküde ve mekanik parçalarda hasara neden olabilir.
- Kullanmadan önce ürünün nasıl kullanılacağını bildiğinizden emin olun. Üründe hasar varsa servis bayinize görüşün. Muhafazayı açmayın!
- Kulak yastıklarına hijyen kılıflarının takılması kulaklıkların akustik performansını olumsuz etkileyebilir. Her zaman orijinal aksesuarları kullanın.

- Kulaklıkları baret gövdesine doğru bastırmayın. Bunu yaparsanız baretin yan kısmında çatlaklar oluşabilir.

(Şek. 4)

- Ürünü +55°C üzerindeki sıcaklıklarda depolamayın, örneğin araba panosu üzerinde. Ürünü -20°C altındaki sıcaklıklarda depolamayın.
- Kullanıcının, kulaklığın kullanım kılavuzuna uygun şekilde takıldığından, ayarlandığından ve bakımının yapıldığından emin olması gerekir.
- Kulaklık, güvenlikle ilgili ses girişi özelliğine sahiptir. Kullanıcı, ürünü kullanmadan önce doğru çalışıp çalışmadığını kontrol etmelidir. Bozulma veya arıza tespit edilirse kullanıcı, bakımla ilgili konularda üretici tavsiyelerine başvurmalıdır.

Akü güvenliği

- Kulaklık, seviyeye bağlı azaltma özelliğine sahiptir. Kullanıcı, ürünü kullanmadan önce doğru çalışıp çalışmadığını kontrol etmelidir. Bir arıza veya hata tespit edilirse kullanıcı, bakımla ilgili konularda üreticinin talimatlarına uymalıdır.
- Üründe, yanıcı veya patlayıcı ortamlarda tutuşmaya neden olabilecek akü ve elektrikli bileşenler bulunur. Kıvılcımların yangına veya patlamaya neden olabileceği ortamlarda kullanmayın.
- Ürünü yalnızca 0°C - +40°C arasındaki sıcaklıklarda şarj edin. Bu aralık dışındaki sıcaklıklarda şarj edilmesi elektronik parçalarda ve aküde hasara neden olabilir.

Montaj

Giriş



UYARI: Ürünü takmadan önce saçınızı yüzünüzden çekin. Ürünü çalıştırmadan önce keçe bileziklerinin başınıza ve kulaklarınızın çevresine sıkıca oturduğundan emin olun.



DİKKAT: Kablonun bükülmediğinden veya küçük bir kıvrılma yarıçapına sahip olmadığından emin olun. Kablonun, baretin açıklığına sorunsuz şekilde girebildiğinden emin olun.

Kafa bandı ile kulaklıkların takılması

1. Kafa bandını başınızın üstünden geçirin.
2. Yüksekliği ayarlamak için kulaklığı yukarı veya aşağı hareket ettirin. (Şek. 5)

Kulaklıkların barete takılması

1. Baret gövdesine, doğru adaptör ataşman türünü takın. Bkz. *Onaylı baretler sayfa: 211*.
2. Baret çatalını ataşman adaptörünün üzerine takın. (Şek. 6)

Not: Bkz. *Onaylı baretler sayfa: 211* Baretinize hangi baret ataşmanının uygun olduğu hakkında daha fazla bilgi için.

3. Kulaklıkları en düşük konuma getirin.
4. Kulaklıkları, bekleme konumunda sabitlenene kadar dışa ve yukarı doğru kaldırın. (Şek. 7)
5. Kablo üzerine bir işaret koyun.
 - a) H300 barette her kulaklıktan 27 cm/11 inç mesafeye bir işaret (X) koyun.
 - b) Spire Vent X barette her kulaklıktan 14,5 cm/6 inç mesafeye bir işaret (Y) koyun. (Şek. 8)
6. Baret ataşmanını baret üzerindeki yuvaya yerleştirin. (Şek. 9)
7. Onaylı baretinize yönelik montaj talimatlarına devam edin.

Kulaklıkların H300 barete takılması

1. Kafa kuşam askılığını baretten ayırın. (Şek. 10)
2. Kablo bağlarını veya klipsleri kullanarak kabloyu deliklere tutturun. (Şek. 11)
3. Kabloyu kablo bağları ile tutturursanız kablo bağı kesin ve kablo bağı kilidini yan yuvaya itin.
4. Kabloyla bir halka yapın ve kafa kuşam askılığı ile boyun korumasını tutturun. Kablonun baret gövdesi ve kafa kuşam askılığı arasında olduğundan emin olun. (Şek. 12)

Kulaklıkların Spire Vent X barete takılması

1. Kabloyla geriye doğru bir halka yapın.
2. Kablo bağlarını kullanarak kabloyu kafa kuşam askılığına tutturun. Kabloyu kafa bandının arka kısmından geçirerek tutturun.
3. Kablo bağı kesin.
4. Kablonun geri kalan kısmını geriye doğru bir halka yaparak arka kafa bandının arkasına yerleştirin. (Şek. 13)

Kulaklıkları çalışma konumuna getirme

1. Baret başınıza takın.
2. Kulaklıkları, kulaklarınızın çevresine ve başınıza sıkıca oturacak şekilde ayarlayın. (Şek. 14)

Kulaklığı bekleme konumuna getirme

- Kulaklıkları, bekleme konumunda sabitlenene kadar dışa ve yukarı doğru kaldırın. (Şek. 15)

Kulaklığı park konumuna getirme

1. Kulaklıkları bekleme konumuna getirin. Bkz. *Kulaklığı bekleme konumuna getirme sayfa: 208.*
2. Kulaklıkları, park konumunda sabitlenene kadar baretin yan tarafından geriye doğru çevirin. (Şek. 16)

Boom mikrofonun bağlanması

Çok gürültülü ortamlarda bir boom mikrofon kullanın.

1. Rüzgar filtresini boom mikrofonu takın.
2. Boom mikrofonu sağ kulaklıktaki mikrofon çıkışına bağlayın. (Şek. 17)
3. Boom mikrofonu ağızınızdan 1 cm/0,4 inç (A) mesafeye yerleştirin.

Çalışma

Giriş



UYARI: Ürünü kullanmadan önce güvenlik bölümünü okuyup anlamalısınız.

Ürünün şarj edilmesi

1. Şarj kablosu üzerindeki USB-C konektörünü sol kulaklıktaki çıkışa bağlayın. (Şek. 18)
2. Şarj kablosundaki USB konektörünü bir USB şarj cihazına veya başka bir USB güç çıkışına bağlayın.

Not: Maksimum kapasitede şarj etmek için güç çıkışının 5 V ve 2 A çıkışa sahip olması gerekir.

Not: Akü şarj olurken Bluetooth® düğmesinin üzerindeki LED gösterge yavaşça yeşil renkte yanıp söner. Akü tamamen şarj olduğunda Bluetooth® düğmesinin üzerindeki LED gösterge sürekli yeşil yanar.

Ürünü çalıştırma

- On/off düğmesini 1 saniye basılı tutun.

Not: Ürünün açıldığını belirten bir uyarı sesi duyulur. Bir sesli mesaj, akü durumunu ve Bluetooth® kablolu teknolojiyle bağlı cihazların sayısını bildirir.

Sesli mesaj
BATTERY HIGH
BATTERY MEDIUM
BATTERY LOW
BATTERY CRITICAL

Sesli mesaj	Bluetooth® düğmesindeki LED gösterge
ONE BLUETOOTH DEVICE CONNECTED	LED mavi yanar.
TWO BLUETOOTH DEVICES CONNECTED	

FM radyo modu ve Bluetooth® modu arasında geçiş yapma

- FM radyo modu ve Bluetooth® modu arasında geçiş yapmak için mod düğmesine 2 kez hızlıca basın.

Not: Bir sesli mesaj hangi modu seçtiğinizi bildirir. Aşağıdaki tabloya bakın.

Sesli mesaj
RADIO
BLUETOOTH

FM radyo modu

FM radyo modunda FM radyoya erişebilirsiniz.

FM radyo istasyonunun değiştirilmesi

- FM radyo istasyonunu değiştirmek için ses artırma düğmesini veya ses azaltma düğmesini 1 saniye boyunca basılı tutun.

Bluetooth® modu

Bluetooth® modunda ürününüzü Bluetooth® kablolu teknolojisine sahip bir cihaza bağlayabilirsiniz.

Bluetooth® eşleştirme işlemi yapılması

1. Ürününüzdeki eşleştirme işlemi başlatmak için Bluetooth® düğmesini 2 saniye basılı tutun.

Not: Eşleştirme işlemi, bir uyarı sesi duyduğunuzda ve Bluetooth® düğmesi mavi renkte yanıp söndüğünde başlar. Eşleştirme işlemi 30 saniye devam eder.

- Cihazdaki Bluetooth® kablosuz teknolojisi için eşleştirme işlemi başlatın.
- Gerekiyorsa cihazınızdaki birimlerin listesinden Husqvarna X-COM Active öğesini seçin.

Not: Bir sesli mesaj, ürünün durumu hakkında bilgi verir. Aşağıdaki tabloya bakın.

Sesli mesaj	Bluetooth® düğmesindeki LED gösterge	Bilgi
BLUETOOTH DEVICE CONNECTED	Sürekli mavi yanar.	Ürün, Bluetooth® kablosuz teknolojisine sahip bir cihaza bağlandı.
BLUETOOTH CONNECTION FAILED	2 saniye boyunca sürekli kırmızı yanar.	Ürün, Bluetooth® kablosuz teknolojisine sahip bir cihaza bağlanmadı.

Not: Bluetooth® kablosuz teknolojisine sahip ve ürününüze bağlanmış bir cihazı, ürününüzle tekrar kullandığınızda cihaz ürününüze otomatik olarak bağlanır.

Ses akışının değiştirilmesi

- Bir sonraki ses akışını seçmek için ses artırma düğmesini 0,5 saniye boyunca basılı tutun.
- Önceki ses akışına geri dönmek için ses azaltma düğmesini 0,5 saniye basılı tutun.

Ses akışının durdurulması veya başlatılması

- Ses akışını durdurmak veya başlatmak için mod düğmesine basın.

Bir telefon görüşmesinin kabul edilmesi, sonlandırılması veya yok sayılması

Mobil cihazınız Bluetooth® kablosuz teknolojisine sahip ürüne bağlıysa bir telefon görüşmesi geldiğinde kulaklıklarda bir sinyal duyulur.

- Telefon görüşmesini kabul etmek veya sonlandırmak için mod düğmesine basın.

- Gelen bir telefon görüşmesini yok saymak için mod düğmesine 1 saniye basın.

Not: Telefon görüşmesi kabul edildiğinde veya yok sayıldığında bir uyarı sesi duyulur.

Sesli mesaj	Bilgi
CALL ENDED	Telefon görüşmesi sona erdi.

Ses seviyesinin ayarlanması

- Ses seviyesini ayarlamak için ses artırma düğmesine veya ses azaltma düğmesine basın. Ses seviyesi minimum veya maksimum seviyede olduğunda bir uyarı sesi duyulur.

Ortam sesi modunun ayarlanması

Ortam sesi modu etrafınızdaki sesleri duymanızı sağlar.

- Ortam sesi düğmesine basın.

Not: Bir sesli mesaj, ortam sesi modunun durumunu bildirir.

Sesli mesaj
AMBIENT LEVEL HIGH
AMBIENT LEVEL MEDIUM
AMBIENT LEVEL LOW
AMBIENT LEVEL OFF

Ürünü durdurma

- On/off düğmesini 1 saniye basılı tutun.

Not: Bir sesli mesaj, akü durumunu bildirir ve LED göstergeleri söner. Ürünün kapandığını belirten bir uyarı sesi duyulur.

Ürünün zorla durdurulması

- On/off düğmesini 12 saniye basılı tutun.

Bakım

Üründe bakım yapılması



DİKKAT: Ürüne su tutmayın veya ürünü tamamen suya batırmayın.



DİKKAT: Püskürtme, sıvılar veya çözücü ve/veya alkol içeren diğer temizlik maddeleri koruyucu fonksiyonu azaltabilir.



DİKKAT: Husqvarna orijinal yedek parçaları kullanın.

1. Ürünü düzenli olarak temizleyin. Hafif bir sabun solüsyonu ve bez kullanın.
2. Her kullanımdan önce keçe bileziklerinin ve köpük lastik parçalarının durumunu kontrol edin.
3. Keçe bileziklerini ve köpük lastik parçaları her 6 ayda veya gerekirse daha sık değiştirin. Montaj sırasında keçe bileziği üzerindeki hava deliğinin aşağıya dönük olduğundan emin olun. Keçe bilezikleri ve köpük lastik parçaları içeren orijinal hijyen kitini kullanın. Hijyen kiti hakkında daha fazla bilgi için bkz. www.husqvarna.com. (Şek. 19)
4. Hasar görmüşse konuşma mikrofonunun membranını değiştirin.
5. Hasar görmüşse seviyeye bağlı mikrofonun rüzgar filtresini değiştirin.
6. Hasar görmüşse boom mikrofondaki rüzgar filtresini değiştirin.
7. Gerekirse kafa bandındaki Konfor Pedini değiştirin. (Şek. 20)

Not: Kulaklıkların içi ıslaksa park konumunda kurumaya bırakın. Bkz. *Kulaklığı park konumuna getirme sayfa: 209.*

Taşıma, depolama ve atma

Taşıma ve depolama



DİKKAT: Taşıma ve depolama sırasında, plastik malzemede aşınmayı azaltmak için kulaklıkları çalışma konumuna getirin.

- Kulaklıkları çalışma konumuna getirin. Bkz. *Kulaklıkları çalışma konumuna getirme sayfa: 208.*
- Keçe bileziklerinin sıkışmadığından emin olun.
- Ürünü kuru ve temiz bir yere koyun.
- Depolama sırasında ürünü güneş ışığından uzak tutun.
- Akünün kalitesini korumak için aküyü her 6 haftada bir şarj edin.

- Taşıma esnasında ürünü güvenli bir yere koyun.

Bertaraf

- Ulusal düzenlemelere uyun.
- Yerel geri dönüşüm sistemini kullanın.
- Ürün ya da ürünün ambalajı evsel atık değildir. Ürünü, elektrikli ve elektronik ekipmanlar için bir geri dönüşüm istasyonunda geri dönüştürün.



Aksesuarlar

Onaylı baretler

Ürünü yalnızca aşağıda belirtilen baretlerle kullanın.

Model	Baret ataşmanı tipi	Adaptör grafiği	Onaylı boyutlar
Husqvarna Technical, H300	H300 adaptör	(Şek. 21)	M/L
Husqvarna Spire	Spire adaptör	(Şek. 22)	L
KASK Zenith X			

Teknik veriler

Teknik veriler

Her bir ürünle ilgili teknik veriler için aşağıdaki resimlere bakın. Daha fazla teknik veri için bu kullanım kılavuzundaki teknik veri ek sayfasına bakın.

(Şek. 2)
(Şek. 3)

Teknik verilerin içeriği hakkında daha fazla bilgi için aşağıdaki listeye bakın:

- F = Azaltmanın ölçüldüğü frekanslar.
- Mf = Ortalama değer.
- Sf = Standart sapma.
- APV (Mf-Sf) = Varsayılan Koruma Değeri.
- H = Yüksek frekans azaltma değeri ($L_C - L_A = -2$ dB olan gürültü ortamı için tahmini gürültü düzeyi azaltma). M = Orta frekans azaltma değeri ($L_C - L_A = +2$ dB olan gürültü ortamı için tahmini gürültü düzeyi azaltma). L = Düşük frekans azaltma değeri ($L_C - L_A = +10$ dB olan gürültü ortamı için tahmini gürültü düzeyi azaltma).

- SNR = Tek Sayı Oranı (kulağın içindeki etkili A ağırlıklı ses düzeyini tahmin etmek için ölçülen C ağırlıklı ses basıncı düzeyinden çıkarılmış değer, L_C).

Sorumlu üretici: Husqvarna AB, SE-561 82 Huskvarna, İsveç, tel: +46-36-146500.

Ses düzeyi

FM radyo modu ve Kulaklık modu, maksimum 82 dB (A) eşdeğer ses seviyesine sahiptir.

Malzemeler

Parça	Malzeme	Parça	Malzeme
İç kulaklık çanağı	ABS	Kafa bandı	POM+TPE
Dış kulaklık çanağı, sol	ABS	Baret çatalı	PA66GF30
Dış kulaklık çanağı, sağ	ABS+TPE	Baret çatalı yayı	Çelik
Parçalar	MOR	Vidalar	Çelik
Keçe bilezikleri	ABS+TPE		

Contenido

Introducción.....	213	Transporte, almacenamiento y eliminación de residuos.....	218
Seguridad.....	214	Accesorios.....	219
Montaje.....	215	Datos técnicos.....	219
Funcionamiento.....	216	Anexo	229
Mantenimiento.....	218		

Introducción

Descripción del producto

El producto X-SYNC (HP500BT-01, HP500BT-02) son protectores auriculares con comunicación dúplex completa integrada, *tecnología inalámbrica con*

Bluetooth® y radio FM. El modelo HP500BT-01 son protectores auriculares con vincha, y el modelo HP500BT-02 corresponde a protectores auriculares para casco. El producto brinda protección contra ruidos nocivos.

Descripción general del producto

(Fig. 1)

1. Botón de sonido ambiental
2. Micrófono dependiente del nivel
3. Botón Bluetooth®
4. Micrófono de voz
5. Botón de modo
6. Salida de cable de carga USB-C
7. Botón para subir el volumen
8. Botón para bajar el volumen
9. Botón de encendido/apagado
10. Salida del micrófono con brazo

La batería está certificada según IEC62133 edición 2.



UK Importer:
Husqvarna UK Ltd
Preston Road, Co. Durham
DL5 6UP

Cumplimiento y aprobaciones

Por el presente, Husqvarna AB, SE-561 82 Huskvarna, Sweden, tel: +46-36-146500, declara que el equipo de radio tipo HP500BT-01 y HP500BT-01 cumple con la norma 2014/53/EU, 2011/65/EU y la regulación (EU) 2016/425. Regulación 2016/425 sobre equipos de protección personal, modificado para su aplicación en GB. El texto completo de la declaración de conformidad de la UE y de la declaración de conformidad del Reino Unido está disponible en la siguiente dirección de Internet: www.husqvarna.com; busque X-SYNC, HP500BT-01, HP500BT-02.

Los niveles de ruido y los valores de atenuación del producto se probaron y aprobaron de acuerdo con: EN 352-1:2020 (vincha), EN 352-3:2020 (montado en casco), EN 352-4:2020, EN 352-6:2020 y EN 352-8:2020.

El organismo notificado involucrado en la evaluación de conformidad es: Número de organismo notificado 1974. PZT GmbH, Bismarckstraße 264 B, 26389 Wilhelmshaven, Germany.

Número del organismo aprobado del Reino Unido 0321. SATRA Technology Centre, Wyndham Way, Telford Way, Kettering, Northamptonshire, NN16 8SD, UK.

Certificación y monitoreo por PZT.

ID de FCC: ZASHP500BT, ID de IC: 23307-HP500BT

Declaración de conformidad del proveedor de FCC para parte responsable HP500BT-01, HP500BT-02.

Husqvarna Professional Products, Inc. 9335 Harris Corners Parkway Suite 500 Charlotte, NC 28269, Estados Unidos.

Información de contacto para EE. UU.: Michael Campbell, director de Cumplimiento de Productos, teléfono: +1 704 597 5000.

Declaración de conformidad de la FCC:

Este dispositivo cumple con el Segmento 15 de las Reglas de FCC. El funcionamiento está sujeto a las siguientes dos condiciones: 1) Es posible que este dispositivo no provoque interferencias perjudiciales, y 2) este dispositivo debe aceptar cualquier interferencia recibida, incluso aquella que provoque un funcionamiento no deseado.

Este equipo se probó y se comprobó que cumple con los límites de un dispositivo digital de Clase B, conforme con el Segmento 15 de las Reglas de FCC.

Estos límites están diseñados para proporcionar una protección razonable contra interferencias perjudiciales en una instalación residencial. Este equipo genera, utiliza y puede irradiar energía de radiofrecuencia y, si no se instala ni se utiliza según las instrucciones, puede causar interferencias perjudiciales para las radiocomunicaciones. Sin embargo, no hay garantía de que no se producirán interferencias en una instalación particular. Si este equipo causa una interferencia perjudicial a la recepción de radio o televisión, lo que se puede determinar apagando o encendiendo el equipo, se aconseja al usuario que trate de corregir las interferencias mediante una de las siguientes medidas:

- Aumente la separación entre el equipo y el receptor.
- Consulte a su distribuidor para solicitar ayuda.

Puede encontrar la marca en el producto si retira el aro de sellado y el inserto de gomaespuma en la orejera derecha.

Contiene IC de módulo transmisor: 12246A-BM64S2

Este dispositivo cumple con los estándares de RSS no sujetos a licencias de Industry Canada.

El funcionamiento está sujeto a las siguientes dos condiciones: 1) es posible que este dispositivo no provoque interferencias, y 2) este dispositivo debe aceptar cualquier interferencia, incluida aquella que provoque un funcionamiento no deseado del dispositivo.

Bajo las normas de Industry Canada, este radiotransmisor solo operará mediante una antena de un tipo y de ganancia máxima (o menor) aprobada para el transmisor por Industry Canada. Para reducir posibles interferencias de radio a otros usuarios, se debe elegir el tipo de antena y su ganancia, de manera que la potencia isotrópica radiada (p.i.r.e.) no sea más de la necesaria para una comunicación correcta.

Puede encontrar la marca en el producto si retira el aro de sellado y el inserto de gomaespuma en la orejera derecha.

Marcas comerciales

La marca denominativa y los logotipos de *Bluetooth®* son marcas comerciales de *Bluetooth SIG, inc.* y cualquier uso de dichas marcas por Husqvarna está sometido a un acuerdo de licencias.

Seguridad

Definiciones de seguridad

Las advertencias, precauciones y notas se utilizan para señalar las piezas particularmente importantes del manual.



ADVERTENCIA: Se utilizan para señalar el riesgo de lesiones graves o mortales para el operador o para aquellos que se encuentren cerca si no se siguen las instrucciones del manual.



AVISO: Se utilizan para señalar el riesgo de dañar la máquina, otros materiales o el área adyacente si no se siguen las instrucciones del manual.

Tenga en cuenta: Se utilizan para entregar más información necesaria en situaciones particulares.

Seguridad general



ADVERTENCIA: Lea atentamente las instrucciones de advertencia siguientes antes de usar el producto.

- Utilice y guarde estas instrucciones.
- Para lograr un funcionamiento y un ajuste perfectos, asegúrese de que haber seleccionado el producto correcto para su uso.

- No modifique ni desmonte las piezas del producto. Solo realice las modificaciones que se indican en este manual de usuario.
- La atenuación del ruido del producto se verá gravemente afectada si no sigue las instrucciones incluidas en este manual de usuario. Las orejeras, especialmente las almohadillas, pueden deteriorarse con el uso y deben examinarse de manera regular en busca de grietas o fugas. Consulte *Mantenimiento en la página 218*.
- Este producto puede ser afectado negativamente por algunas sustancias químicas. Para obtener más información al respecto, consulte al fabricante. Manténgase alejado de sustancias agresivas y limpie el producto con regularidad. Utilice un paño con agua y jabón. No lave ni sumerja completamente en agua.
- Todas las tareas de mantenimiento y reparación se deben realizar en un taller de servicio autorizado. Solo utilice piezas de repuesto originales Husqvarna.
- Nunca utilice las orejeras más de 10 años a partir de la fecha de fabricación que se indica en el envase.
- La funcionalidad del producto puede deteriorarse con el consumo de batería.

Instrucciones de seguridad para el funcionamiento

- El usuario debe asegurarse de utilizar las orejeras en todo momento en entornos ruidosos.
- Sea más cuidadoso y escuche si se producen señales de advertencia cuando utilice el producto. El

ruido de las señales de advertencia se puede reducir cuando utilice el producto.

- Es posible que la audición de las señales de advertencia en un lugar de trabajo específico sea afectada mientras se utiliza la instalación recreativa.
- Asegúrese de que el producto no se golpee durante el transporte y el uso.
- Utilice el producto solo a temperaturas de entre -20 °C y +55 °C. Si utiliza el producto a otras temperaturas, se pueden producir daños en el sistema electrónico, la batería y en las partes mecánicas.
- Asegúrese de saber cómo utilizar el producto antes de usarlo. Póngase en contacto con su concesionario de servicio si hay daños en el producto. ¡No abra la cubierta!
- Es posible que el ajuste de los recubrimientos higiénicos en las almohadillas afecte el rendimiento acústico de las orejeras. Siempre utilice accesorios originales.
- No presione las orejeras contra la carcasa del casco. Si lo hace, puede causar grietas alrededor del lateral del casco.

(Fig. 4)

- No almacene el producto a temperaturas superiores a +55 °C, por ejemplo, en un panel. No almacene el producto a temperaturas inferiores a -20 °C.

- El usuario debe asegurarse de que las orejeras estén colocadas, ajustadas y de que se les realice mantenimiento en conformidad con este manual de usuario.
- La orejera se proporciona con entrada de audio de seguridad. El usuario debe comprobar el correcto funcionamiento antes de su uso. Si se detecta alguna distorsión o falla, el usuario debe consultar los consejos del fabricante para mantenimiento.

Seguridad de la batería

- La orejera cuenta con una atenuación dependiente del nivel. El usuario debe comprobar el correcto funcionamiento antes de su uso. Si se detecta un funcionamiento incorrecto o falla, el usuario debe seguir las instrucciones del fabricante para su mantenimiento.
- El producto contiene una batería y componentes eléctricos que pueden provocar un incendio en atmósferas inflamables o explosivas. No lo utilice en entornos donde chispas podrían provocar un incendio o explosión.
- Solo cargue el producto dentro de un rango de temperatura de 0 °C a +40 °C. La carga fuera del rango de temperatura puede dañar el sistema electrónico y la batería.

Montaje

Introducción



ADVERTENCIA: Mueva el pelo hacia un lado antes de montar el producto. Asegúrese de que los aros de sellado estén apretados contra su cabeza y alrededor de sus orejas antes de usar el producto.

Para colocar las orejeras con vincha

1. Colóquese la vincha sobre la cabeza.
2. Mueva las orejeras hacia arriba o hacia abajo para ajustar la altura. (Fig. 5)

Para montar las orejeras en un casco

1. Monte el tipo de accesorio de adaptador correcto en la carcasa del casco. Consulte *Cascos aprobados en la página 219*.
2. Monte la horquilla del casco en el adaptador del accesorio. (Fig. 6)

Tenga en cuenta: Consulte *Cascos aprobados en la página 219* para obtener más información sobre qué accesorio del casco se aplica a su casco.

3. Mueva las orejeras a la posición más baja.

4. Levante las orejeras hacia fuera y hacia arriba hasta que queden en posición de espera. (Fig. 7)
5. Haga una marca en el cable.
 - a) Para el casco H300, haga una marca a 27 cm/11 in (X) de cada orejera.
 - b) Para el casco Spire Vent X, haga una marca a 14,5 cm/6 in (Y) de cada orejera. (Fig. 8)
6. Ponga el accesorio del casco en la ranura del casco. (Fig. 9)
7. Siga las instrucciones de montaje para su casco aprobado.



AVISO: Asegúrese de que el cable no esté retorcido ni tenga un pequeño radio de curvatura. Asegúrese de que el cable se pueda mover suavemente en la apertura del casco.

Para montar las orejeras al casco H300

1. Suelte el arnés de cabeza del casco. (Fig. 10)
2. Fije el cable a los orificios con las bridas para cables o sujetadores. (Fig. 11)
3. Si fija el cable con bridas para cables, corte la brida para cables y empuje el bloque de la brida a través de la ranura lateral.

- Haga un bucle del cable y fije el arnés de cabeza y la protección de cuello. Asegúrese de que el cable esté entre la carcasa del casco y el arnés de cabeza. (Fig. 12)

Para montar las orejeras al casco Spire Vent X

- Coloque el cable en un bucle hacia atrás.
- Conecte el cable al arnés de cabeza con las bridas para cables. Conecte la brida para cables a través de la correa posterior de la diadema.
- Corte la brida para cables.
- Coloque la parte restante del cable en un bucle hacia atrás, detrás de la vincha trasera. (Fig. 13)

Para poner las orejeras en posición de funcionamiento

- Póngase el casco en la cabeza.
- Ajuste las orejeras hasta que estén apretadas alrededor de las orejas y contra su cabeza. (Fig. 14)

Para colocar las orejeras en posición de espera

- Levante las orejeras hacia fuera y hacia arriba hasta que queden en posición de espera. (Fig. 15)

Para colocar las orejeras en posición de reposo

- Ponga las orejeras en posición de espera. Consulte *Para colocar las orejeras en posición de espera en la página 216.*
- Gire las orejeras hacia atrás a lo largo del lateral del casco hasta que queden en la posición de estacionamiento. (Fig. 16)

Para conectar el micrófono con brazo

Utilice un micrófono con brazo en entornos con mucho ruido.

- Conecte el filtro de viento en el micrófono con brazo.
- Conecte el micrófono con brazo a la salida del micrófono en la orejera derecha. (Fig. 17)
- Coloque el micrófono con brazo a 1 cm/0,4 in (A) de la boca.

Funcionamiento

Introducción



ADVERTENCIA: Antes de utilizar el producto, debe leer y entender el capítulo sobre seguridad.

Para cargar el producto

- Enchufe el conector USB-C del cable del cargador a la salida de la orejera izquierda. (Fig. 18)
- Enchufe el conector USB del cable del cargador a un cargador USB o a otra toma de corriente USB.

Tenga en cuenta: La salida de la toma de corriente debe ser de 5 V y 2 A para cargar a máxima capacidad.

Tenga en cuenta: El indicador LED del botón Bluetooth® parpadea lentamente en verde cuando la batería se está cargando. El indicador LED del botón Bluetooth® se ilumina en verde continuo cuando la batería está completamente cargada.

Para poner en marcha el producto

- Mantenga presionado el botón on/off durante 1 segundo.

Tenga en cuenta: Un pitido indica que el producto está encendido. Un mensaje de audio indica el estado de la batería y la cantidad de dispositivos conectados con tecnología inalámbrica Bluetooth®.

Mensaje de audio
BATTERY HIGH
BATTERY MEDIUM
BATTERY LOW
BATTERY CRITICAL

Mensaje de audio	Indicador LED en el botón Bluetooth®
ONE BLUETOOTH DEVICE CONNECTED	La luz LED es azul.
TWO BLUETOOTH DEVICES CONNECTED	

Para cambiar entre modo de radio FM y el modo Bluetooth®

- Presione el botón de la TDF rápidamente 2 veces para cambiar entre el modo de radio FM y el modo Bluetooth®.

Tenga en cuenta: Un mensaje de audio indica el modo que seleccionó. Consulte la tabla que aparece a continuación.

Mensaje de audio
RADIO
BLUETOOTH

Modo de radio FM

En el modo de radio FM obtiene acceso a la radio FM.

Para cambiar la emisora de radio FM

- Mantenga presionado el botón para subir o bajar el volumen durante 1 segundo a fin de cambiar de emisora de radio FM.

Modo Bluetooth®

En el modo Bluetooth® puede conectar el producto a un dispositivo con tecnología inalámbrica Bluetooth®.

Para realizar una operación de emparejamiento Bluetooth®

1. Mantenga presionado el botón Bluetooth® durante 2 segundos para comenzar con la operación de emparejamiento de su producto.

Tenga en cuenta: La operación de emparejamiento se inicia cuando se escucha un pitido y el botón Bluetooth® parpadea en azul. La operación de emparejamiento está activa durante 30 minutos.

2. Inicie la operación de emparejamiento para la tecnología inalámbrica Bluetooth® en el dispositivo.
3. Si es necesario, seleccione Husqvarna X-COM Active en la lista de unidades del dispositivo.

Tenga en cuenta: Un mensaje de audio indica el estado del producto. Consulte la tabla que aparece a continuación.

Mensaje de audio	Indicador LED en el botón Bluetooth®	Información
BLUETOOTH DEVICE CONNECTED	Azul continuo.	El producto está conectado a un dispositivo con tecnología inalámbrica Bluetooth®.
BLUETOOTH CONNECTION FAILED	Rojo continuo durante 2 segundos.	El producto no está conectado a un dispositivo con tecnología inalámbrica Bluetooth®.

Tenga en cuenta: Un dispositivo con tecnología inalámbrica Bluetooth® que se conecta a su producto, se conecta automáticamente a su producto la próxima vez que el producto se utiliza con el dispositivo.

Para cambiar la transmisión de audio

- Mantenga presionado el botón para subir el volumen durante 0,5 segundos a fin de seleccionar la siguiente transmisión de audio.
- Mantenga presionado el botón para bajar el volumen durante 0,5 segundos a fin de volver a la transmisión de audio anterior.

Para detener o iniciar la transmisión de audio

- Presione el botón de la TDF para detener o iniciar una transmisión de audio.

Para aceptar, finalizar o descartar una llamada telefónica

Si su dispositivo móvil está conectado al producto con tecnología inalámbrica Bluetooth®, se oye una señal en las orejas cuando hay una llamada entrante.

- Presione el botón de la TDF para aceptar o finalizar la llamada telefónica.
- Presione el botón de la TDF durante 1 segundo para descartar una llamada telefónica entrante.

Tenga en cuenta: Un pitido indica cuándo se acepta o se descarta la llamada telefónica.

Mensaje de audio	Información
CALL ENDED	La llamada telefónica ha finalizado.

Para ajustar el volumen

- Presione el botón para subir o bajar volumen para ajustar el volumen. Un pitido indica cuando el volumen está en el nivel mínimo o máximo.

Para establecer el modo de sonido ambiental

El modo de sonido ambiental permite escuchar los sonidos que lo rodean.

- Presione el botón de sonido ambiental.

Tenga en cuenta: Un mensaje de audio indica el estado del modo de sonido ambiental.

Mensaje de audio
AMBIENT LEVEL HIGH
AMBIENT LEVEL MEDIUM

Mensaje de audio
AMBIENT LEVEL LOW
AMBIENT LEVEL OFF

Para detener el producto

- Mantenga presionado el botón on/off durante 1 segundo.

Tenga en cuenta: Un mensaje de audio indica el estado de la batería y los indicadores LED se apagan. Un pitido indica que el producto está apagado.

Para detener el producto por la fuerza

- Mantenga presionado el botón on/off durante 12 segundos.

Mantenimiento

Para realizar mantenimiento en el producto



AVISO: No enjuague ni sumerja el producto completamente en agua.



AVISO: Los aerosoles, líquidos u otros productos de limpieza que contengan disolventes o alcohol pueden disminuir la función de protección.



AVISO: Use piezas de repuesto originales de Husqvarna.

1. Limpie el producto con regularidad. Utilice un paño y una solución de jabón suave.
2. Realice una comprobación del estado de los aros de sellado y los insertos de gomaespuma antes de cada uso.

3. Sustituya los aros de sellado y los insertos de gomaespuma cada 6 meses o más a menudo si es necesario. Asegúrese de que el orificio de aire en el aro de sellado apunte hacia abajo durante el montaje. Utilice el kit de higiene original que incluye los aros de sellado y los insertos de gomaespuma. Consulte www.husqvarna.com para obtener más información sobre el kit de higiene. (Fig. 19)

Tenga en cuenta: Si las orejeras están mojadas en el lado interior, déjelas secar en posición de estacionamiento. Consulte *Para colocar las orejeras en posición de reposo en la página 216.*

4. Reemplace la membrana del micrófono de voz si está dañada.
5. Reemplace el filtro de viento del micrófono dependiente del nivel si está dañado.
6. Cambie el filtro de viento del micrófono con brazo si está dañado.
7. Reemplace la almohadilla de comodidad de la vincha si es necesario. (Fig. 20)

Transporte, almacenamiento y eliminación de residuos

Transporte y almacenamiento



AVISO: Durante el transporte y el almacenamiento, coloque las orejeras en la posición de funcionamiento para disminuir el desgaste del material plástico.

- Colocar las orejeras en posición de funcionamiento. Consulte *Para poner las orejeras en posición de funcionamiento en la página 216.*
- Asegúrese de que los aros de sellado no estén comprimidos.
- Coloque el producto en un lugar limpio y seco.
- Mantenga el producto alejado de la luz solar durante el almacenamiento.

- Cargue la batería cada 6 semanas para mantener la calidad de la batería.
- Coloque el producto en un espacio seguro durante el transporte.
- El producto o paquete del producto no es residuo doméstico. Recíclolo en una planta de reciclaje para equipo eléctrico y electrónico.



Eliminación

- Siga las normativas nacionales.
- Utilice el sistema de reciclaje local.

Accesorios

Cascos aprobados

Utilice el producto solo con los cascos a continuación.

Modelo	Tipo del accesorio del casco	Gráfico del adaptador	Dimensiones aprobadas
Husqvarna Technical, H300	Adaptador H300	(Fig. 21)	M/L
Husqvarna Spire	Adaptador Spire	(Fig. 22)	L
KASK Zenith X			

Datos técnicos

Datos técnicos

Consulte las ilustraciones que se indican a continuación para conocer los datos técnicos de cada producto.

(Fig. 2)

(Fig. 3)

Para obtener más información sobre el contenido de los datos técnicos, consulte la lista que se presenta a continuación:

- F = Frecuencias en las que se mide la atenuación.
- Mf = Valor medio.
- Sf = Desviación estándar.
- APV (Mf-Sf) = Valor de protección asumido.
- H = Valor de atenuación de alta frecuencia (reducción de nivel de ruido previsto para ruidos donde $L_C - L_A = -2$ dB). M = Valor de atenuación de frecuencia media (reducción de nivel de ruido previsto para ruidos donde $L_C - L_A = +2$ dB). L = Valor

Para obtener más datos técnicos, consulte la hoja del apéndice de datos técnicos en este manual de usuario.

de atenuación de baja frecuencia (reducción de nivel de ruido previsto para ruidos donde $L_C - L_A = +10$ dB).

- SNR = Clasificación de único número (el valor que se resta del nivel de presión acústica C ponderado medido, L_C , a fin de calcular el nivel sonoro A ponderado efectivo en el interior del oído).

Fabricante responsable: Husqvarna AB, SE-561 82 Husqvarna, Suecia, tel.: +46-36-146500.

Nivel sonoro

El modo de radio FM y el modo de auriculares tienen un nivel sonoro máximo equivalente de 82 dB (A).

Materiales

Pieza	Material	Pieza	Material
Auricular interior	ABS	Vincha	POM+TPE
Auricular exterior, izquierdo	ABS	Horquilla del casco	PA66GF30

Pieza	Material	Pieza	Material
Auricular exterior, derecho	ABS+TPE	Resorte de horquilla de casco	Acero
Insertos	PUR	Tornillos	Acero
Anillos de estanqueidad	ABS+TPE		

Table des matières

Introduction.....	221	Transport, entreposage et mise au rebut.....	227
Sécurité.....	222	Accessoires.....	227
Montage.....	223	Caractéristiques techniques.....	227
Fonctionnement.....	224	Annexe	229
Entretien.....	226		

Introduction

Description du produit

Le produit X-SYNC (HP500BT-01, HP500BT-02) est un protecteur d'oreille avec une transmission bidirectionnelle intégrée, une *technologie sans fil*

Présentation de l'appareil

(Fig. 1)

1. Bouton de son ambiant
2. Microphone dépendant du niveau
3. Bouton Bluetooth®
4. Microphone de communication
5. Bouton de mode
6. Prise de câble de chargement USB-C
7. Bouton d'augmentation de volume
8. Bouton de réduction de volume
9. Bouton On/Off (marche/arrêt)
10. Sortie du microphone monté sur tige

Conformité aux normes et homologations

Par la présente, Husqvarna AB, SE-561 82 Huskvarna, Sweden, tel: +46-36-146500, déclare que l'équipement radio de type HP500BT-01 et HP500BT-01 est conforme à 2014/53/EU, 2011/65/EU et à la réglementation (EU) 2016/425. Réglementation 2016/425 relative aux équipements de protection personnelle, telle que modifiée pour s'appliquer en Grande-Bretagne. Le texte intégral de la déclaration de conformité de l'UE et de la déclaration de conformité du Royaume-Uni peut être obtenu à l'adresse Internet suivante : www.husqvarna.com; rechercher X-SYNC, HP500BT-01, HP500BT-02.

Les valeurs d'atténuation et les niveaux sonores du produit sont testés et approuvés conformément aux exigences suivantes : EN 352-1:2020 (serre-tête), EN 352-3:2020 (monté sur casque), EN 352-4:2020, EN 352-6:2020 et EN 352-8:2020.

L'organisme notifié impliqué dans l'évaluation de la conformité est le suivant : Numéro de l'organisme notifié 1974. PZT GmbH, Bismarckstraße 264 B, 26389 Wilhelmshaven, Germany.

Bluetooth® et une radio FM. Le modèle HP500BT-01 est un protecteur d'oreilles avec serre-tête et le modèle HP500BT-02 est un protecteur d'oreilles pour casque. Le produit offre une protection contre les bruits nocifs.

Numéro d'organisme approuvé au Royaume-Uni 0321. SATRA Technology Centre, Wyndham Way, Telford Way, Kettering, Northamptonshire, NN16 8SD, UK.

Certification et suivi par PZT.

La batterie est certifiée conforme à la norme IEC62133 édition 2.



UK Importer:
Husqvarna UK Ltd
Preston Road, Co. Durham
DL5 6UP

FCC ID : ZASHP500BT, ID IC : 23307-HP500BT

Déclaration de conformité FCC des fournisseurs pour la partie responsable HP500BT-01, HP500BT-02.

Husqvarna Professional Products, Inc. 9335 Harris Corners Parkway Suite 500 Charlotte, NC 28269 United states.

Personne-ressource aux États-Unis : Michael Campbell, directeur principal de la conformité aux tests de qualité, téléphone : +1 704 597 5000.

Déclaration de conformité FCC

Cet appareil est conforme à la section 15 des règlements de la FCC. Son utilisation est soumise aux deux conditions suivantes : (1) Cet appareil ne doit pas causer d'interférences nocives, et (2) cet appareil

doit accepter toutes les interférences reçues, y compris les interférences pouvant provoquer un fonctionnement indésirable.

Cet équipement a été testé et trouvé conforme aux limites d'un appareil de classe B, conformément à l'article 15 des règlements de la FCC. Ces limites sont conçues pour fournir une protection raisonnable contre les interférences nuisibles dans une installation résidentielle. Cet équipement produit, utilise et peut émettre des fréquences radio et, s'il n'est pas installé et utilisé conformément aux instructions, il peut provoquer des interférences nuisibles aux communications radio. Cependant, il n'y a aucune garantie que des interférences ne pourront pas se produire dans une installation particulière. Si cet équipement engendre des interférences nuisibles pour la réception radio ou télévisuelle, ce qui peut être déterminé en éteignant l'équipement, l'utilisateur est encouragé à essayer de corriger l'interférence en prenant une ou plusieurs des mesures suivantes :

- Augmenter la distance entre l'équipement et le récepteur.
- Pour obtenir de l'aide, consulter le concessionnaire.

On peut trouver des marquages sur le produit si on retire l'anneau d'étanchéité et l'insertion antibruit en caoutchouc mousse du protecteur d'oreille de droite.

Comporte un module émetteur IC : 12246A-BM64S2

Le présent appareil est conforme aux CNR d'Industrie Canada applicables aux appareils radio exempts de licence. L'exploitation est autorisée aux deux conditions suivantes: (1) l'appareil ne doit pas produire de brouillage, et (2) l'utilisateur de l'appareil doit accepter tout brouillage radioélectrique subi, même si le brouillage est susceptible d'en compromettre le fonctionnement.

Conformément à la réglementation d'Industrie Canada, le présent émetteur radio peut fonctionner avec une antenne d'un type et d'un gain maximal (ou inférieur) approuvé pour l'émetteur par Industrie Canada. Dans le but de réduire les risques de brouillage radioélectrique à l'intention des autres utilisateurs, il faut choisir le type d'antenne et son gain de sorte que la puissance isotrope rayonnée équivalente (p.i.r.e.) ne dépasse pas l'intensité nécessaire à l'établissement d'une communication satisfaisante.

Marques déposées

La marque et les logos *Bluetooth®* sont des marques déposées appartenant à *Bluetooth SIG, inc.* et tout usage de ces marques par Husqvarna est soumis à licence.

Sécurité

Définitions relatives à la sécurité

Les avertissements, recommandations et remarques soulignent des points du manuel qui revêtent une importance particulière.



AVERTISSEMENT : Indique la présence d'un risque de blessure ou de décès de l'utilisateur ou de personnes à proximité si les instructions du manuel ne sont pas suivies.



MISE EN GARDE : Indique la présence d'un risque de dommages au produit, à d'autres appareils ou à la zone adjacente si les instructions du manuel ne sont pas suivies.

Remarque : Utilisé pour donner des renseignements plus détaillés qui sont nécessaires dans une situation donnée.

Consignes générales de sécurité



AVERTISSEMENT : Lire les messages d'avertissement qui suivent avant d'utiliser l'appareil.

- Utiliser et conserver ces instructions.
- Pour une adaptation et une utilisation optimales, prendre soin de sélectionner le bon produit.
- Ne pas changer ou retirer des pièces du produit. N'effectuer que les modifications indiquées dans ce manuel d'utilisation.
- La fonction d'atténuation du bruit du produit sera gravement compromise si on ne suit pas les instructions du présent manuel d'utilisation. Les écouteurs, plus particulièrement les coussinets, peuvent se détériorer ou se fissurer à l'usage et doivent être régulièrement inspectés afin de vérifier la présence de fissures et de fuites. Se reporter à *Entretien à la page 226*.
- Ce produit peut être endommagé par certaines substances chimiques. Pour obtenir des renseignements supplémentaires, communiquer avec le fabricant. Rester à l'écart des substances agressives et nettoyer le produit régulièrement. Utiliser un chiffon avec de l'eau et du savon. Ne pas laver ou tremper complètement dans de l'eau.
- Tous les travaux d'entretien et de réparation doivent être effectués par un atelier d'entretien agréé. Utiliser des pièces de rechange d'origine Husqvarna.
- Ne jamais utiliser les protecteurs d'oreilles après plus de 10 ans à compter de la date de fabrication figurant sur l'emballage.
- La fonctionnalité du produit peut se détériorer au fil du temps avec la consommation de la batterie.

Consignes de sécurité pour l'utilisation

- Dans un environnement bruyant, l'utilisateur doit s'assurer de porter les protecteurs d'oreilles en permanence.
 - Être plus prudent et écouter les signaux d'avertissement lors de l'utilisation du produit. Le bruit provenant de signaux d'avertissement peut être réduit lorsqu'on utilise le produit.
 - L'audibilité des signaux d'avertissement sur un site de travail spécifique peut diminuer lorsqu'on utilise les fonctions de divertissement.
 - S'assurer de ne pas heurter l'outil pendant le transport.
 - Utiliser le produit seulement à des températures comprises entre $-20\text{ }^{\circ}\text{C}$ et $+55\text{ }^{\circ}\text{C}$. Si on utilise le produit sous d'autres températures, cela peut causer des dommages au système électronique, à la batterie et aux pièces mécaniques.
 - Avant de faire fonctionner le produit, s'assurer de savoir comment l'utiliser. En cas de dommages au produit, communiquer avec votre atelier d'entretien. Ne pas ouvrir le boîtier!
 - L'adaptation de bonnettes hygiéniques aux coussinets peut réduire l'efficacité acoustique des protecteurs d'oreilles. Toujours utiliser des accessoires d'origine.
 - Ne pas appuyer les protecteurs d'oreilles contre la coque du casque. Dans le cas contraire, cela pourrait engendrer des fissures autour du côté du casque.
- Ne pas ranger le produit à des températures supérieures à $+55\text{ }^{\circ}\text{C}$, par exemple sur un tableau de bord. Ne pas ranger le produit à des températures inférieures à $-20\text{ }^{\circ}\text{C}$.
 - L'utilisateur doit s'assurer que les protecteurs d'oreilles sont installés, ajustés et entretenus conformément à ce manuel de l'opérateur.
 - Le protecteur d'oreille est fourni avec une entrée audio de sécurité. L'utilisateur doit vérifier le bon fonctionnement avant utilisation. Si une distorsion ou une panne est détectée, l'utilisateur doit consulter les conseils d'entretien du fabricant.

Sécurité en matière de batteries

- Les écouteurs offrent une atténuation du bruit dépendante du niveau. L'utilisateur doit vérifier le bon fonctionnement du produit avant de l'utiliser. Si le produit ne fonctionne pas correctement ou est défectueux, l'utilisateur doit consulter les instructions d'entretien du fabricant.
- Le produit comporte une batterie et des composants électriques susceptibles de provoquer une inflammation dans les atmosphères inflammables ou explosives. Ne pas l'utiliser dans des milieux où des étincelles peuvent engendrer une incendie ou une explosion.
- Toujours charger le produits dans la plage de température comprise entre $0\text{ }^{\circ}\text{C}$ et $+40\text{ }^{\circ}\text{C}$. Le fait de charger dans une plage de températures extérieures charge peut endommager l'électronique et la batterie.

(Fig. 4)

Montage

Introduction



AVERTISSEMENT : Déplacer les cheveux sur le côté avant d'assembler le produit. S'assurer que les anneaux d'étanchéité sont serrés contre votre tête et autour de votre oreille avant d'utiliser le produit.

Pour porter le protecteur d'oreilles avec serre-tête

1. Placez le serre-tête sur le dessus de votre tête.
2. Déplacez le protecteur d'oreilles vers le haut ou vers le bas pour régler la hauteur. (Fig. 5)

Pour monter les protecteurs d'oreilles sur un casque

1. Fixer l'adaptateur approprié sur la coque du casque. Se reporter à *Casques homologués à la page 227*.
2. Fixer la fourche du casque sur l'adaptateur. (Fig. 6)

Remarque

: Se reporter à *Casques homologués à la page 227* pour obtenir des renseignements supplémentaires sur l'accessoire adéquat pour votre casque.

3. Déplacer le protecteur d'oreilles à la position médiane.
4. Soulever le protecteur d'oreilles vers l'extérieur et vers le haut jusqu'à ce qu'il se bloque à la position d'attente. (Fig. 7)
5. Faire un repère sur le câble.
 - a) Pour le casque H300, tracer un repère (X) à 27 cm (11 po) de chaque écouteur.
 - b) Pour les casques Spire Vent X, tracer un repère (Y) à 14,5 cm (6 po) de chaque écouteur. (Fig. 8)
6. Placer l'accessoire de casque dans la fente située sur le casque. (Fig. 9)
7. Continuer de suivre les instructions de montage fournies avec le casque homologué.



MISE EN GARDE : S'assurer que le câble n'est pas tordu ni ne présente un petit rayon de courbure. S'assurer que le câble peut se déplacer régulièrement dans l'ouverture du casque.

Pour fixer les écouteurs au casque H300

1. Détacher le harnais de tête du casque. (Fig. 10)
2. Fixer le câble dans les trous au moyen d'attaches de câble ou d'agrafes. (Fig. 11)
3. Si le câble est fixé avec des attaches de câble, couper l'embout de l'attache de câble et pousser son verrou dans la fente latérale.
4. Faire une boucle au moyen du câble et monter le harnais de tête et le protège-nuque. S'assurer que le câble ne se trouve pas entre la coque du casque et le harnais de tête. (Fig. 12)

Pour fixer les écouteurs au casque Spire Vent X

1. Placer les câbles dans une boucle vers l'arrière.
2. Brancher le câble sur le harnais de tête au moyen de serre-câbles. Fixer l'attache de câble à travers la courroie arrière du serre-tête.
3. Couper l'attache de câble.
4. Placer la partie restante du câble en boucle vers l'arrière, derrière le serre-tête. (Fig. 13)

Pour placer les protecteurs d'oreille à la position d'utilisation

1. Placer le casque sur la tête.

2. Ajuster les protecteurs d'oreilles jusqu'à ce qu'ils soient bien posés sur les oreilles et bien serrés contre la tête. (Fig. 14)

Pour placer les protecteurs d'oreilles à la position d'attente

- Soulever le protecteur d'oreilles vers l'extérieur et vers le haut jusqu'à ce qu'il se bloque à la position d'attente. (Fig. 15)

Pour placer les protecteurs d'oreilles à la position de stationnement

1. Placer les protecteurs d'oreille à la position de veille. Se reporter à *Pour placer les protecteurs d'oreilles à la position d'attente à la page 224.*
2. Tourner les protecteurs d'oreilles vers l'arrière le long du côté du casque jusqu'à ce qu'ils bloquent à la position de stationnement. (Fig. 16)

Pour brancher le microphone monté sur tige

Utiliser un microphone antibruit dans des milieux qui présentent beaucoup de bruit.

1. Fixer la bonnette anti-vent sur le microphone monté sur tige.
2. Brancher le microphone monté sur tige à la prise du microphone située sur l'écouteur de droite. (Fig. 17)
3. Placer le microphone monté sur tige à 1 cm (0,4 po) (A) de votre bouche.

Fonctionnement

Introduction



AVERTISSEMENT : Avant d'utiliser le produit, lire et bien comprendre le chapitre sur la sécurité.

Recharge du produit

1. Brancher le connecteur USB-C du câble de chargement à la prise située sur l'écouteur de gauche. (Fig. 18)
2. Brancher le connecteur USB du câble de chargement à un chargeur USB ou à une prise d'alimentation USB.

Remarque : La sortie de la prise de courant doit être de 5 V et de 2 A pour pouvoir charger le produit à capacité maximale.

Remarque : Le voyant à DEL sur le bouton Bluetooth® clignote lentement en vert lorsque la batterie est en cours de chargement. Le voyant à DEL sur le bouton Bluetooth® est vert fixe lorsque la batterie est complètement chargée.

Mise sous tension de l'appareil

- Appuyer sur le bouton on/off (marche/arrêt) et le maintenir enfoncé pendant 1 seconde.

Remarque : Un bip indique que le produit est allumé. Un message audio vous indique l'état de la batterie ainsi que le nombre d'appareils connectés à la technologie sans fil Bluetooth®.

Message audio
BATTERY HIGH
BATTERY MEDIUM

Message audio
BATTERY LOW
BATTERY CRITICAL

Message audio	Voyant à DEL sur le bouton Bluetooth®
ONE BLUETOOTH DEVICE CONNECTED	Le voyant à DEL est bleu.
TWO BLUETOOTH DEVICES CONNECTED	

Pour basculer entre le mode radio FM et le mode Bluetooth®

- Appuyer rapidement deux fois sur le bouton de mode pour basculer entre le mode radio FM et le mode Bluetooth®.

Remarque : Un message audio vous indique le mode sélectionné. Se reporter au tableau ci-dessous.

Message audio
RADIO
BLUETOOTH

Mode radio FM.

Le mode radio FM donne accès aux stations de radio FM.

Pour changer une station de radio FM

- Maintenir le bouton d'augmentation du volume ou le bouton de réduction du volume enfoncé pendant 1 seconde pour changer de station de radio FM.

Mode Bluetooth®

En mode Bluetooth®, vous pouvez connecter votre produit à un appareil doté de la technologie sans fil Bluetooth®.

Pour effectuer un jumelage Bluetooth®

- Appuyer sur le bouton Bluetooth® et le maintenir enfoncé pendant 2 secondes pour démarrer le jumelage du produit.

Remarque : L'opération de jumelage commence lorsque vous entendez un bip et que le bouton Bluetooth® clignote en bleu. Le jumelage est actif pendant 30 secondes.

- Démarrer le jumelage avec la technologie sans fil Bluetooth® sur votre appareil.

- Sélectionner Husqvarna X-COM Active dans la liste des périphériques sur votre appareil, si nécessaire.

Remarque : Un message audio vous informe sur l'état du produit. Se reporter au tableau ci-dessous.

Message audio	Voyant à DEL sur le bouton Bluetooth®	Information
BLUETOOTH DEVICE CONNECTED	Bleu fixe.	Le produit est connecté à un appareil doté de la technologie sans fil Bluetooth®.
BLUETOOTH CONNECTION FAILED	Rouge fixe pendant 2 secondes.	Le produit n'est pas connecté à un appareil doté de la technologie sans fil Bluetooth®.

Remarque : Un appareil doté de la technologie sans fil Bluetooth® connecté à votre produit se connecte automatiquement à celui-ci lors de sa prochaine utilisation.

Pour modifier la diffusion audio

- Maintenir le bouton d'augmentation du volume enfoncé pendant 0,5 seconde pour sélectionner la prochaine diffusion audio.
- Maintenir le bouton de réduction du volume enfoncé pendant 0,5 seconde pour revenir à la diffusion audio précédente.

Pour arrêter ou démarrer la lecture audio

- Appuyer sur le bouton de mode pour arrêter ou démarrer la diffusion audio.

Pour accepter, refuser ou mettre fin à un appel téléphonique

Si votre appareil mobile est connecté au produit avec la technologie sans fil Bluetooth®, un signal est émis dans les écouteurs lors d'un appel entrant.

- Appuyer sur le bouton de mode pour accepter ou mettre fin à l'appel téléphonique.
- Appuyez sur le bouton de mode pendant 1 seconde pour ignorer un appel entrant.

Remarque : Un bip vous indique lorsque l'appel téléphonique est accepté ou ignoré.

Message audio	Information
CALL ENDED	L'appel téléphonique est terminé.

Réglage du volume

- Pour régler le volume, appuyer le bouton d'augmentation ou de réduction de volume. Un signal sonore indique lorsque vous avez atteint le volume minimal ou maximal.

Pour régler le mode de son ambiant

Le mode de son ambiant vous permet d'entendre les sons autour de vous.

- Appuyer sur le bouton de son ambiant.

Remarque : Un message audio vous indique l'état du mode de son ambiant.

Message audio
AMBIENT LEVEL HIGH

Message audio
AMBIENT LEVEL MEDIUM
AMBIENT LEVEL LOW
AMBIENT LEVEL OFF

Arrêt de la machine

- Appuyer sur le bouton on/off (marche/arrêt) et le maintenir enfoncé pendant 1 seconde.

Remarque : Un message audio vous indique l'état de la batterie et les voyants à DEL s'éteignent. Un bip indique que le produit est éteint.

Pour forcer l'arrêt du produit

- Appuyer sur le bouton on/off (marche/arrêt) et le maintenir enfoncé pendant 12 secondes.

Entretien

Pour entretenir le produit



MISE EN GARDE : Ne pas laver ou tremper complètement le produit dans de l'eau.



MISE EN GARDE : Les vaporisateurs, les liquides ou les autres produits de nettoyage contenant des solvants ou de l'alcool peuvent réduire les capacités de protection.



MISE EN GARDE : Utiliser les pièces de rechange d'origine Husqvarna.

1. Nettoyer le produit régulièrement. Utiliser un chiffon et une solution légèrement savonneuse.
2. Effectuer un contrôle de l'état des anneaux d'étanchéité et des insertions en caoutchouc mousse avant chaque utilisation.

3. Remplacer les bagues d'étanchéité et les coussinets en mousse de caoutchouc une fois à chaque 6 mois ou plus fréquemment, au besoin. S'assurer que l'orifice d'air sur la bague d'étanchéité est orienté vers le bas pendant le montage. Utiliser la trousse d'hygiène originale qui comprend les bagues d'étanchéité et les coussinets en mousse de caoutchouc. Se reporter à www.husqvarna.com pour obtenir de plus amples renseignements sur la trousse d'hygiène. (Fig. 19)

Remarque : Si l'intérieur des protecteurs d'oreilles est humide, laisser ceux-ci sécher à la position de stationnement. Se reporter à *Pour placer les protecteurs d'oreilles à la position de stationnement à la page 224.*

4. Remplacer la membrane du microphone de communication si celle-ci est endommagée.
5. Remplacer la bonnette anti-vent du microphone dépendant du niveau si celle-ci est endommagée.
6. Remplacer la bonnette anti-vent du microphone monté sur tige si celle-ci est endommagée.
7. Remplacez le coussinet de confort du serre-tête au besoin. (Fig. 20)

Transport, entreposage et mise au rebut

Transport et entreposage



MISE EN GARDE : Pendant le transport et du remisage, placer les écouteurs en position de fonctionnement pour réduire l'usure du plastique.

- Placer les protecteurs d'oreilles à la position d'utilisation. Se reporter à *Pour placer les protecteurs d'oreille à la position d'utilisation à la page 224.*
- S'assurer que les anneaux d'étanchéité ne sont pas comprimés.
- Placer le produit dans un endroit sec et propre.
- Garder le produit à l'abri de la lumière du soleil.
- Charger la batterie toutes les 6 semaines afin de maintenir la qualité de la batterie.

- Lors du transport, placer le produit à un endroit sûr.

Mise au rebut

- Respecter les règlements nationaux.
- Utiliser le système de recyclage local.
- Le produit ou l'emballage du produit n'est pas un déchet domestique. Recycler dans un centre de recyclage pour équipements électriques et électroniques.



Accessoires

Casques homologués

Utiliser le produit avec les casques ci-dessous seulement.

Modèle	Type d'accessoire du casque	Illustration de l'adaptateur	Dimensions homologuées
Husqvarna Technical, H300	Adaptateur H300	(Fig. 21)	M/L
Husqvarna Spire	Adaptateur Spire	(Fig. 22)	L
KASK Zenith X			

Caractéristiques techniques

Caractéristiques techniques

Se reporter aux illustrations suivantes pour connaître les caractéristiques techniques de chaque produit.

(Fig. 2)
(Fig. 3)

Pour en savoir plus sur le contenu des données techniques, se reporter à la liste suivante :

- F = Fréquence à laquelle l'atténuation est mesurée.
- Mf = Valeur moyenne.
- Sf = Déviation standard.
- APV (Mf-Sf) = Valeur de protection assumée.

Pour plus de caractéristiques techniques, se reporter à l'annexe des caractéristiques techniques dans ce manuel de l'opérateur.

- H = valeur d'atténuation haute fréquence (prédiction de réduction de niveau de bruit avec $L_C-L_A = -2$ dB). M = valeur d'atténuation fréquence moyenne (prédiction de réduction de niveau de bruit avec $L_C-L_A = +2$ dB). L = valeur d'atténuation basse fréquence (prédiction de réduction de niveau de bruit avec $L_C-L_A = +10$ dB).

- SNR = valeur d'identification unique (valeur qui sera retranchée du niveau de pression acoustique pondéré en C mesuré, L_C , afin d'estimer le niveau sonore pondéré en A effectif à l'intérieur de l'oreille).

Niveau sonore

Le mode radio FM et le mode casque ont un niveau sonore maximal équivalent de 82 dB (A).

Fabricant responsable : Husqvarna AB, SE-561 82
Husqvarna, Suède, tél. : +46-36-146500.

Matériaux

Pièce	Matériau	Pièce	Matériau
Oreillette intérieure	ABS	Serre-tête	POM+TPE
Oreillette extérieure, gauche	ABS	Fourche de casque	PA66GF30
Oreillette extérieur, droite	ABS+TPE	Ressort de fourche de casque	Acier
Insertions	PUR	Vis	Acier
Anneaux d'étanchéité	ABS+TPE		

Technical data

Technical data	
Frequency spectrum for Bluetooth® wireless technology	
Bluetooth® wireless technology output power	

352-4. Criterion level EN 352-4:2020 H=114 dB, M= 111 dB, L=99 dB.

352-6					
Bluetooth® wireless technology relationship between sound output level and input signal level					
Sound pressure level dB(A)	60	65	70	75	79.7
Maximum sound pressure level ¹	<82 dB(A)				
Input signal level dBFS	-37.9	-32.8	-27.8	-22.4	-14.0
Maximum input signal level dBFS	79.7 dB(A) at -14 dBFS				
Usage time for the maximum input signal that corresponds to an equivalent sound output level of 82dB(A) over 8 h	8.0 h				

The output level of the audio circuit of this hearing protector may exceed the exposure limit.

352-8

- The product is equipped with an entertainment audio facility.
- The earmuffs provides audio signal sound pressure level limitation and limits the entertainment audio signal to 82 dB(A).

Sound pressure level	
Bluetooth® wireless technology maximum sound pressure level dB(A)	80.1 at -10 dBFS
FM radio sound pressure level dB(A)	78.2

¹ No criterion level calculated.

Attenuation tested according to ANSI S3.19-1974									
Frequency (Hz)									
Mean attenuation dB(A)									
Standard deviation dB(A)									
NRR, dB									
Headband force, lbs									
Headband size	S, M, L								

The level of noise entering a person's ear, when hearing protector is worn as directed, is closely approximated by the difference between the A-weighted environmental noise level and the NRR.

Example:

1. The environmental noise level as measured at the ear is 92 dBA.
2. The NRR is 21 decibels (dB).
3. The level of noise entering the ear is approximately equal to 92 dB(A) - 21 dB(A).



CAUTION: For noise environments dominated by frequencies below 500 Hz the C-weighted environmental noise level should be used.

Improper fit of this device will reduce its effectiveness in attenuating noise. Consult the enclosed instructions for proper fit (in example this manual).

Although hearing protectors can be recommended for protection against the harmful effects of impulsive noise, the Noise Reduction Rating (NRR) is based on the attenuation of continuous noise and may not be an accurate indicator of the protection attainable against impulsive noise such as gunfire.

Headband type									
Clamping force									
AS/NZS 1270									
Frequency (Hz)	125	250	500	1000	2000	4000	8000	SLC80	Class
Mean at-tenuation dB									
Standard deviation dB									
Assumed protection value dB									

Helmet attached earmuff									
Clamping force									
AS/NZS 1270									
Frequency (Hz)	125	250	500	1000	2000	4000	8000	SLC80	Class
Mean at-tenuation dB									
Standard deviation dB									
Assumed protection value dB									

Hearing protector Class 5 tested to AS/NZS 1270. When selected, used and maintained as specified in AS/NZS 1269, these protectors may be used in noise up to 110 dB(A) assuming an 85 dB(A) criterion than 85 dB(A) may require a higher protector class. Testing according to ANSI S3.19 1974, AS/NZS 1270:2002 and CSAZ94.2-2014 by PZT GmbH, Brismarcstr. 264B, 26389 Wilhelmshaven, Germany (EU Notified Body 1974).



FR

Cet appareil,
ses cordons,
et batterie
se recyclent

À DÉPOSER
EN MAGASIN

OU

À DÉPOSER
EN DÉCHÈTERIE

Points de collecte sur www.quefairedemesdechets.fr
Privilégiez la réparation ou le don de votre appareil !

Husqvarna®

www.husqvarna.com

Original instructions
Оригинални инструкции
Originalna uputstva
Původní pokyny
Originale instruktioner
Originalanweisungen
Αρχικές οδηγίες
Instrucciones originales
Originaljuhend
Alkuperäiset ohjeet

Instructions d'origine
Originalne upute
Eredeti útmutatás
Istruzioni originali
Originalios instrukcijos

Lietošanas pamācība
Оригинални упатства
Originele instructies
Originale instruksjoner
Oryginalne instrukcje
Instruções originais
Instrucțiuni inițiale
Оригинальные инструкции
Původné pokyny
Izvirna navodila
Originalna uputstva
Bruksanvisning i original
Orjinal talimatlar
Instrucciones originales
Instructions d'origine



FR



1143675-38

Rev. A



2023-07-12