

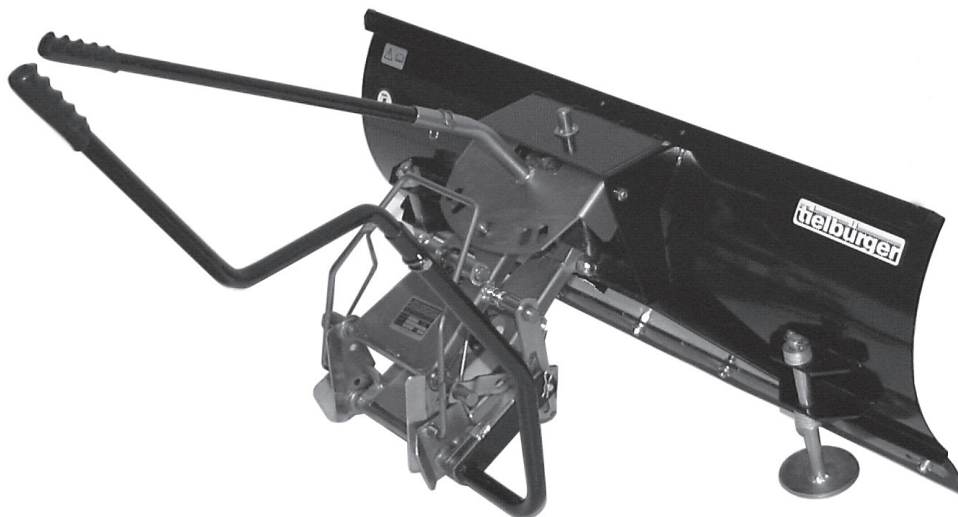
# tielbürger®

## Snowblade ts125



AE-015-001GI

Operating instructions  
and  
assembly instructions



Copyright © 2016 by Julius Tielbürger GmbH & Co. KG, Stemwede. Reproduction not permitted, neither in part nor in full. KR-392-002GI REV. 00

171506095/0EN

EN- Translation of the Original Operating Instructions

**Julius Tielbürger** GmbH & Co. KG Maschinenfabrik  
Postdamm 12 D-32351 Stemwede-Openwehe Tel.: +49 (0) 57 73/80 20 Fax: +49 (0) 57 73/81 75  
Internet: [www.tielbuenger.de](http://www.tielbuenger.de)

This document is a publication by Julius Tielbürger GmbH & Co KG, Postdamm 12, D-32351 Stemwede-Oppenwehe ([www.tielbuerger.de](http://www.tielbuerger.de)).

This document represents the technical status at the time of printing. Changes in technology and equipment reserved. Shown Illustrations and images may differ from the original.

All rights including translation reserved. Reproduction by any method, e.g. photocopy, microfilming or the capture in electronic data processing systems, require the prior written approval by the editor. Reprinting, also in part, is prohibited.

All trademarks, registered trademarks, trade names and brand names are the property of their respective owners and are recognized by us.

© Copyright 2016 by Julius Tielbürger GmbH & Co KG

# Content

<b>1 Operating and assembly instructions</b> .....	<b>4</b>
1.1 General .....	4
1.2 Warnings and symbols.....	5
<b>2 Fundamental safety instructions</b> .....	<b>6</b>
2.1 Designated use of the machine .....	6
2.2 Organizational measures .....	6
2.3 Selection and qualification of personnel - Basic responsibilities .....	7
<b>3 Condition at delivery and scope of delivery</b> .....	<b>8</b>
<b>4 Illustration of device showing danger area, description of components, position of safety stickers and identification plate</b> .....	<b>9</b>
<b>5 Components of the Tielbürger quick-release system</b> .....	<b>10</b>
5.1 Attachment sets for tractor mowers.....	10
5.2 Components of the quick-release system .....	10
5.3 Accessories .....	10
<b>6 Assembly</b> .....	<b>11</b>
<b>7 Commissioning</b> .....	<b>13</b>
7.1 Fundamental safety instructions for standard operation.....	13
7.2 Coupling and uncoupling the shovel blade .....	14
7.3 Raising and lowering the shovel blade.....	15
7.4 Angling the shovel blade .....	16
7.5 Adjusting the height of the skids .....	17
7.6 Fitting wheels (optional extra) .....	18
7.7 Safety folding mechanism .....	19
<b>8 Service and maintenance</b> .....	<b>20</b>
8.1 Fundamental safety instructions .....	20
8.2 Service schedule .....	21
<b>9 Possible faults and their elimination</b> .....	<b>21</b>
<b>10 Terms of Guarantee</b> .....	<b>21</b>
<b>11 Spare parts list</b> .....	<b>22</b>
<b>12 Manufacturer's declaration</b> .....	<b>24</b>

## 1 Operating and assembly instructions

### 1.1 General

These operating and assembly instructions are designed to familiarize the user with the machine and its designated use.

The operating and assembly instructions contain important information on how to operate the machine safely, properly and most efficiently. Observing these instructions helps to avoid danger, to reduce repair costs and downtimes and to increase the reliability and life of the machine.

The operating and assembly instructions must always be available wherever the machine is in use.

These operating and assembly instructions must be read and applied by any person in charge of carrying out work with and on the machine, such as

- operation including setting up, troubleshooting in the course of work, evacuation of production waste, care and disposal of fuels and consumables
- maintenance (servicing, inspection, repair) and/or
- transport.

In addition to the operating and assembly instructions and to the mandatory rules and regulations for accident prevention and environmental protection in the country and place of use of the machine, the generally recognized technical rules for safe and proper working must also be observed.

## 1.2 Warnings and symbols



Read the instructions for use



**DANGER**  
indicates immediate danger. Ignoring this instruction poses a risk of serious or fatal injury.



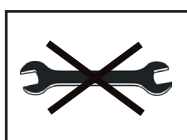
**WARNING**  
indicates a potentially dangerous situation. Ignoring this instruction may lead to serious or fatal injury.



**CAUTION**  
indicates a potentially dangerous situation. Ignoring this instruction may lead to minor injury.



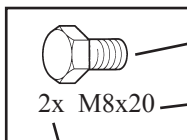
**IMPORTANT**  
indicates tips for use and other useful information.



Do not use tools



Use a workbench



Symbol  
2x M8x20 Type  
Quantity

Symbol	Type Example:	Description
Bolt	M8 x 16	M = Metric S = Diameter in mm 16 = Length in mm
Washer	8,1 - 58 - 5	8,1 = Inner diameter 58 = Outer diameter 5 = Material thickness in mm
Nut	M8 (S)	M = Metric 8 = Inner diameter (S) = Lock nut
Open-end spanner Nut driver Screwdriver	8	8 = Size in mm
Phillips screwdriver	PZ 2 PH 2	PZ 2 = Pozidrive in mm PH2 = Phillips size 2

## 2 Fundamental safety instructions

### 2.1 Designated use of the machine

The product has been built in accordance with state-of-the-art standards and the recognized safety rules. Nevertheless, its use may constitute a risk to life and limb to the user or third parties, or cause damage to the product and other material property.

The product must only be assembled in technically perfect condition in accordance with its designated use and the instructions set out in the operating and assembly manual, and only by safety-conscious persons who are fully aware of the risks involved in operating the machine. Any functional disorders, especially those affecting safety, should therefore be rectified immediately.

The product is designed exclusively for fitting to machines approved by the manufacturer and for accessories approved by the manufacturer. Using the machine for purposes other than those mentioned above is considered contrary to its designated use. The manufacturer/supplier cannot be held liable for any damage resulting from such use. The risk of such misuse lies entirely with the user.

Operating the machine within the limits of its designated use also involves observing the instructions set out in the operating and assembly manual and complying with the inspection and maintenance directives.

### 2.2 Organizational measures

The operating and assembly instructions must always be at hand at the place of use of the machine.

In addition to the operating and assembly instructions, observe and instruct the user in all other generally applicable legal and other mandatory regulations relevant to accident prevention and environmental protection. These compulsory regulations may also deal with the handling of hazardous substances, issuing and/or wearing of personal protective equipment, or traffic regulations.

The operating and assembly instructions must be supplemented by instructions covering the duties involved in supervising and notifying special organizational features, such as job organization, working sequences or the personnel entrusted with the work.

Personnel entrusted with work on the machine must have read the operating instructions and in particular the chapter on safety before beginning work. Reading the instructions after work has begun is too late. This applies especially to persons working only occasionally on the machine, e.g. during setting up or maintenance. Check - at least from time to time - whether the personnel is carrying out the work in compliance with the operating instructions and paying attention to risks and safety factors.

For reasons of safety, long hair must be tied back or otherwise secured, garments must be close-fitting and no jewellery may be worn, including rings. Injury may result from being caught up in the machinery or from

rings catching on moving parts.

Use protective equipment wherever required by the circumstances or by law.

Observe all safety instructions and warnings attached to the machine.

Make sure that safety instructions and warnings attached to the machine are always complete and perfectly legible.

In the event of safety-relevant modifications or changes in the behaviour of the machine during operation, stop the machine immediately and report the malfunction to the relevant specialized dealer.

Never make any modifications, additions or conversions which might affect safety without the manufacturer's approval. This also applies to the installation and adjustment of safety devices and valves as well as to welding work on load-bearing elements. Only use original spare parts from the manufacturer. These meet technical requirements and include warranty and guarantee claims. Adhere to prescribed intervals or those specified in the operating and assembly instructions for routine checks and inspections.

For the execution of maintenance work, tools and workshop equipment adapted to the task on hand are absolutely indispensable.

The personnel must be familiar with the location and operation of fire extinguishers.

Observe all fire-warning and fire-fighting procedures.

### 2.3 Selection and qualification of personnel - Basic responsibilities

Any work on and with the product must be executed by reliable personnel only. Statutory minimum age limits must be observed.

Employ only trained or instructed staff and set out clearly the individual responsibilities of the personnel for operation, set-up, maintenance and repair.

Make sure that only authorized personnel works on or with the product.

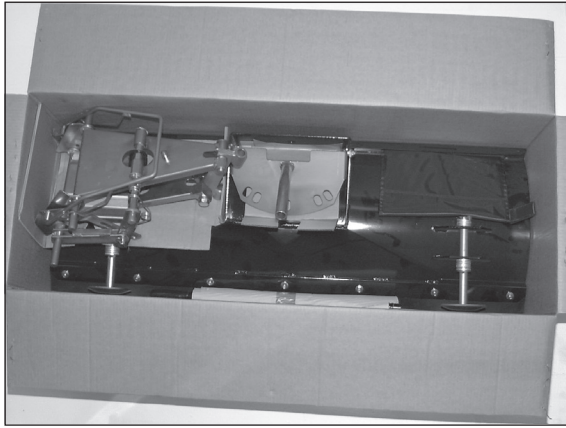
Do not allow persons to be trained or instructed or persons taking part in a general training course to work on or with the product without being permanently supervised by an experienced person.

Work on the electrical system and equipment of the product should only be carried out by a skilled electrician or by instructed persons under the supervision and guidance of a skilled electrician and in accordance with electrical engineering rules and regulations.

Work on chassis, brake and steering systems must only be performed by skilled personnel that have been specially trained for such work.

Work on the hydraulic system must only be carried out by personnel with special knowledge and experience of hydraulic equipment.

### 3 Condition at delivery and scope of delivery



Checking the original packing (shovel blade)



Specifications of shovel blade attachment

#### Scope of delivery

1x Document folder with operating instructions

1x Link pin

1x Lever for angling the shovel blade

1x Mounting bracket

1x Shovel blade

The transport packaging should be recycled.

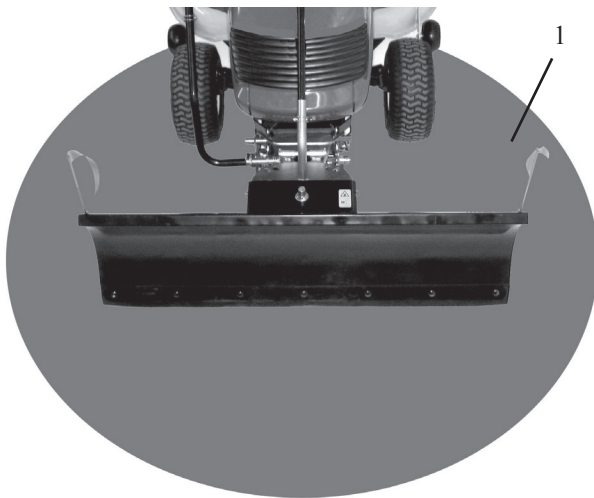
#### Scope of delivery

Check that the shovel blade attachment supplied is correct and complete.

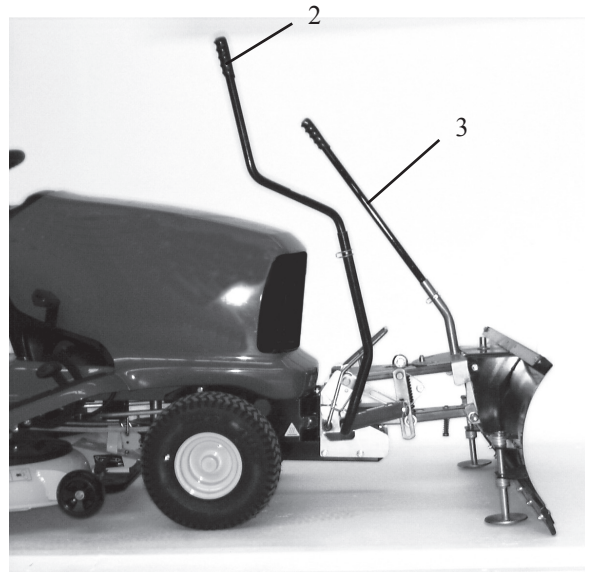
The transport packaging should be recycled.



4 Illustration of device showing danger area, description of components, position of safety stickers and identification plate



Dia. = 10 m

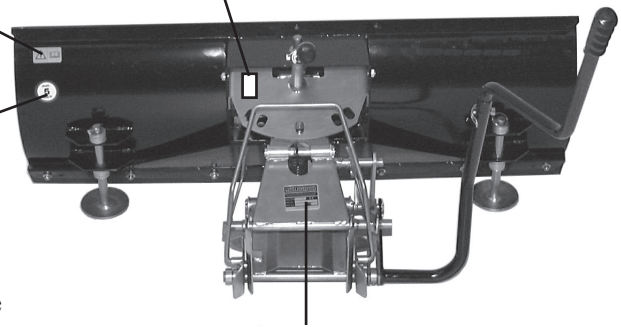


Do not stand in the vicinity of a raised, unsecured load.

Before operating the equipment, read and observe the operating and safety instructions.



Max. speed 5 km/h



1. Danger area
2. Lever for raising and lowering the shovel blade
3. Lever for adjusting angle of shovel blade
4. Manufacturer's name
5. CE mark
6. Machine number
7. Machine designation
8. Weight
9. Year of manufacture
10. Adress of manufacturer
11. Engine manufacturer
12. Engine output
13. Part number

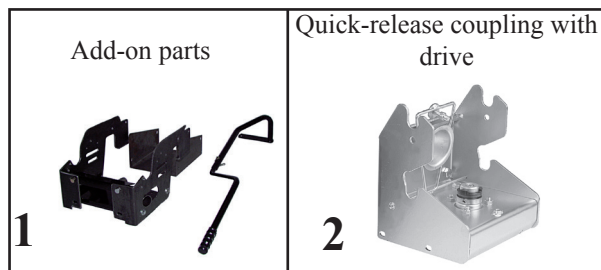
4	<b>tielbürger</b>	Julius Tielbürger GmbH & Co. KG Postdamm 12 32351 Stemwede	10
7	Model:		
11	Engine:		
12	kW:		13
12	Weight: kg		
8		P/N: MUSTER	6
8		S/N: MUSTER	
9	Made in Germany 2007	CE	

## 5 Components of the Tielbürger quick-release system

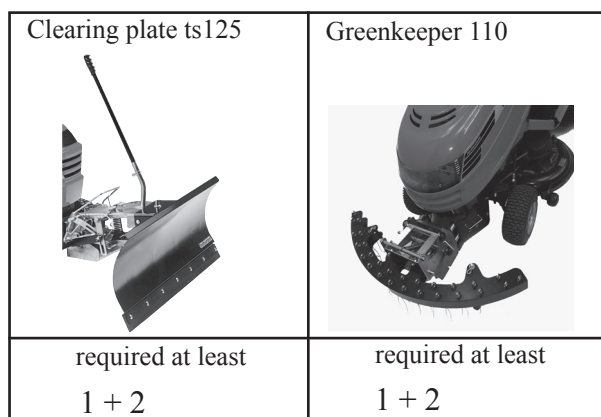
### 5.1 Attachment sets for tractor mowers

Attachment components and quick-release couplings with or without drive system are manufactured specifically for all models of tractor mower. Ask your specialist dealer for details.

### 5.2 Components of the quick-release system



### 5.3 Accessories




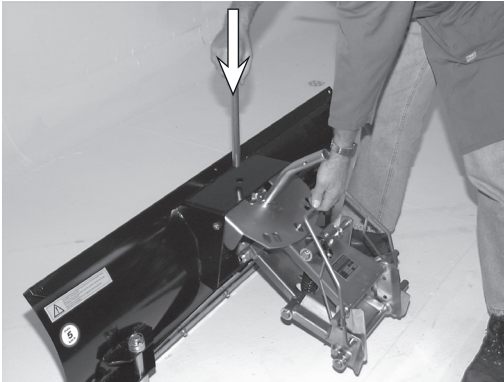
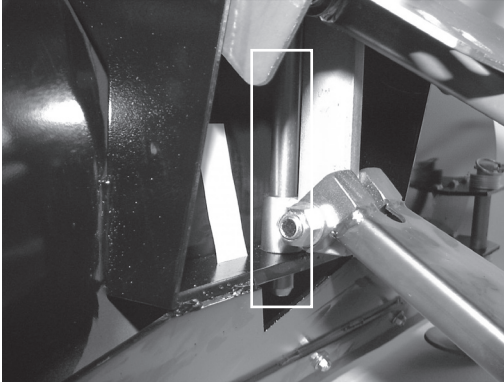
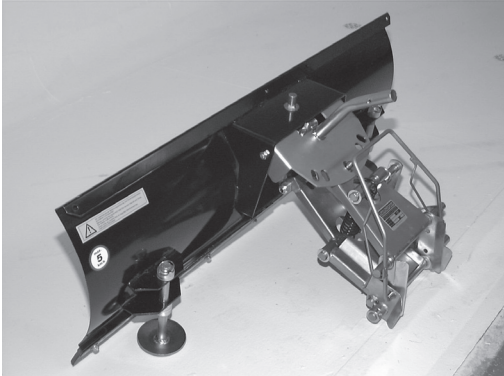
Please ask your dealer for further accessories.


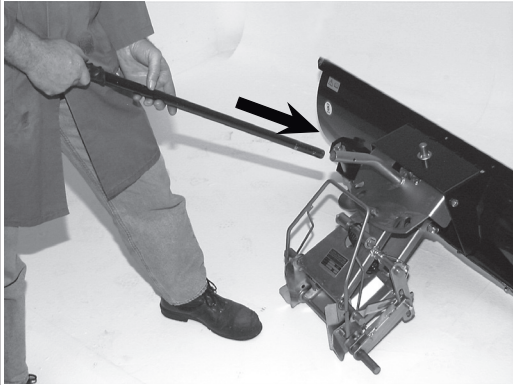
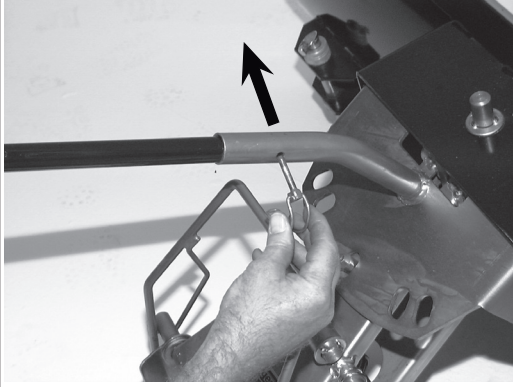
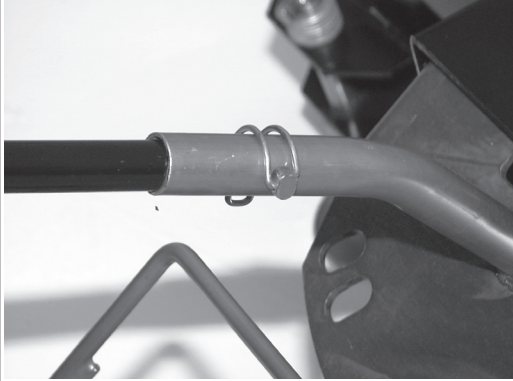
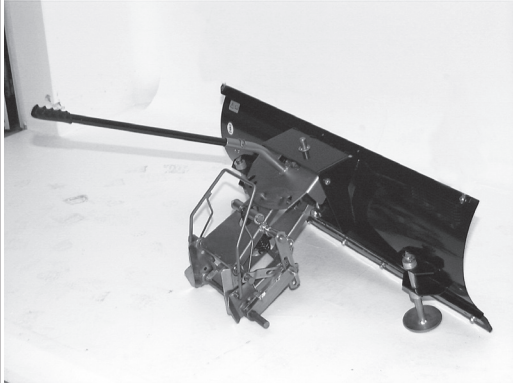
You can get more information on the internet at :[www.tielbuerger.de](http://www.tielbuerger.de)

6 Assembly



**IMPORTANT !**  
Observe safety instructions.  
Before you begin, obtain an overview of the assembly procedure and the parts and tools required.

		<p>Link pin</p>
		<p>The mounting bracket is attached to the shovel blade by means of the link pin.</p>
		<p>Correct position of link pin.</p>
		<p>Mounting bracket fitted to ts125 shovel blade.</p>

		<p>Note: lifting linkage is part of the attachment frame.</p>
		<p>Insert lever for angle setting in locating tube on positioner plate.</p>
		<p>Secure lever with locking pin.</p>
		<p>Fitted lever with locking pin.</p>
		<p>Shovel blade with lever fitted.</p>

## 7 Commissioning

### 7.1 Fundamental safety instructions for standard operation

Avoid any operational mode that may be prejudicial to safety.

Before beginning work, familiarize yourself with the location of installation and circumstances of the site. This includes obstacles in the working and travelling area, the earth load capacity and any barriers separating the location of installation from public roads.

Take the necessary precautions to ensure that the machine is used only when in a safe and reliable state. Operate the machine only if all protective and safety-oriented devices, such as removable safety devices, sound-proofing elements and exhausters, are in place and fully functional.

Check the machine for obvious damage and faults each time you use it. Report any changes (incl. changes in the machine's working behaviour) to a specialized dealer. If necessary, stop the machine immediately and lock it.

In the event of malfunctions, stop the machine immediately and lock it. Have any defects rectified immediately.

Start the machine from the driver's seat only.

During start-up and shut-down procedures always watch the indicators in accordance with the operating and assembly instructions.

Before starting up or setting the machine in motion, make sure that nobody is at risk.

Before starting work or travelling with the machine, check that the braking, steering, signalling and lighting systems are fully functional.

Before setting the machine in motion always check that the accessories have been safely stowed away.

When driving on public roads, pathways or open spaces, observe the applicable traffic regulations and, if appropriate, make the necessary adjustments to the machine to ensure it meets the legal requirements.

In conditions of poor visibility and after dark always ensure that there is sufficient lighting.

Always keep at a distance from the edges of building pits and slopes.

Avoid any operation that might be a risk to machine stability.

Never travel across slopes; always keep the working equipment and the load close to the ground, especially when travelling downhill.

On sloping terrain always adapt your travelling speed to the prevailing ground conditions. Never change to a lower gear on a slope but always before reaching it.

Before leaving the driver's seat always secure the machine against inadvertent movement and unauthorized use.



#### WARNING

Observe maximum speed of 5 km/h!

## 7.2 Coupling and uncoupling the shovel blade



### DANGER

Switch off the engine. Secure the tractor mower to prevent it moving and take precautions to ensure it cannot be started inadvertently.

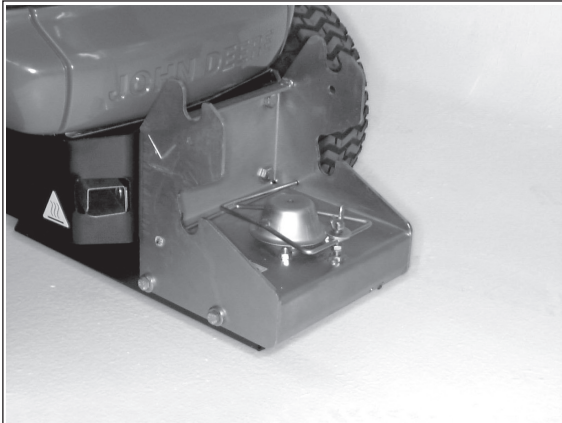


Read the operating instructions supplied by the tractor mower manufacturer.

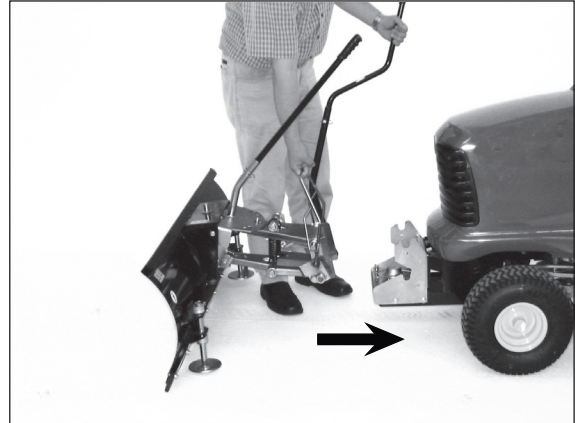


### WARNING

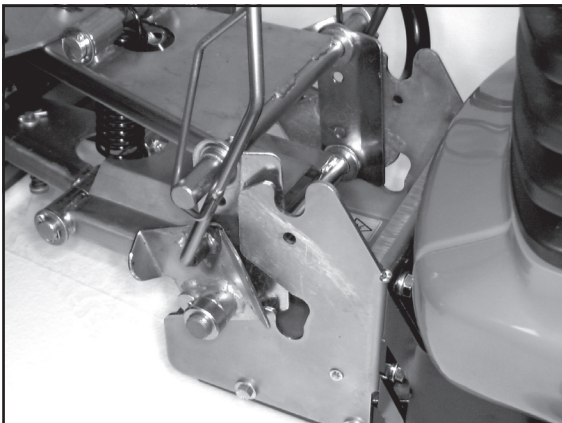
If the drive system is not being used, the quick-release coupling safety cover must be secured by the wing nut.



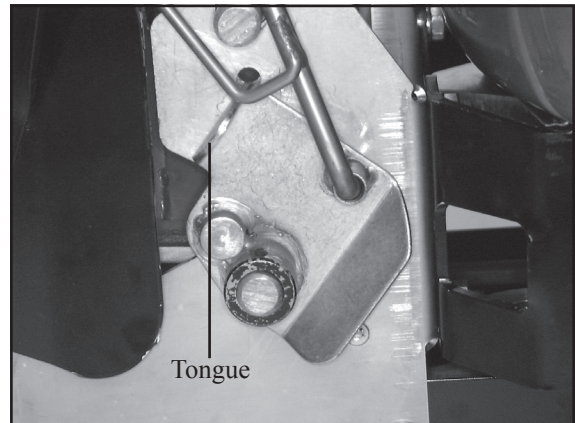
1) The quick-release coupling safety cover must be closed.



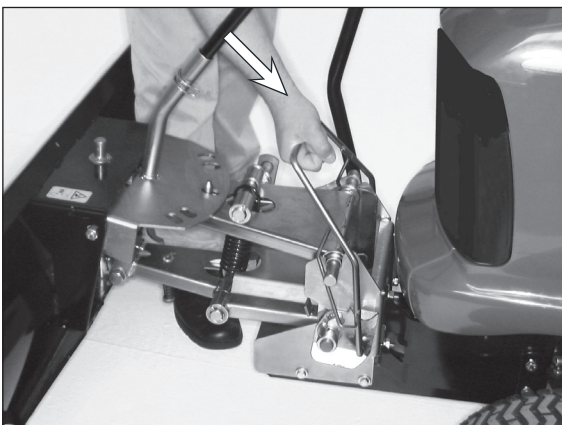
2) Hold the lifting lever with your left hand.  
Pull shovel blade attachment towards tractor mower.



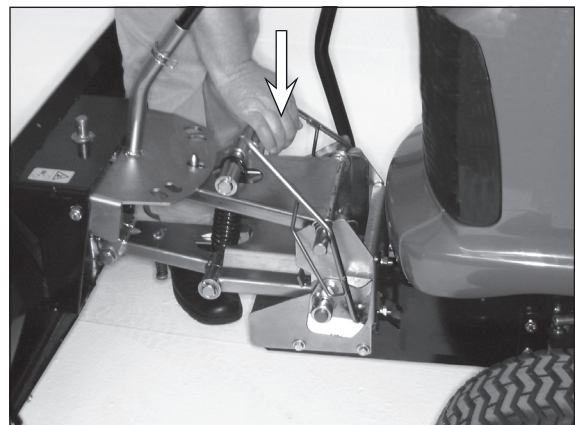
3) Position prior to engagement. Now lift mounting bracket and engage.



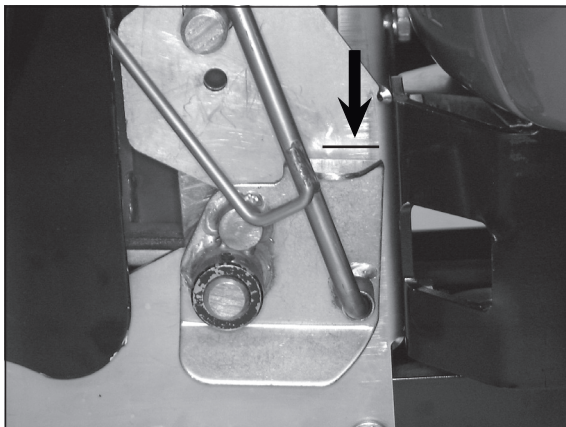
4) Tongue prior to locking. Mounting bracket engaged.



5) Press coupling hoop downwards at an angle.



6) Locking the shovel blade.



7) Correctly locked. The tongue must be pushed as far as the horizontal notch.



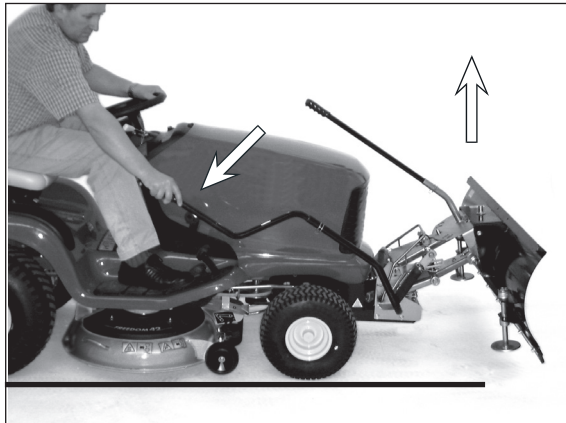
**WARNING**

Before using the shovel blade attachment, make absolutely certain that the quick-release coupling is securely locked.

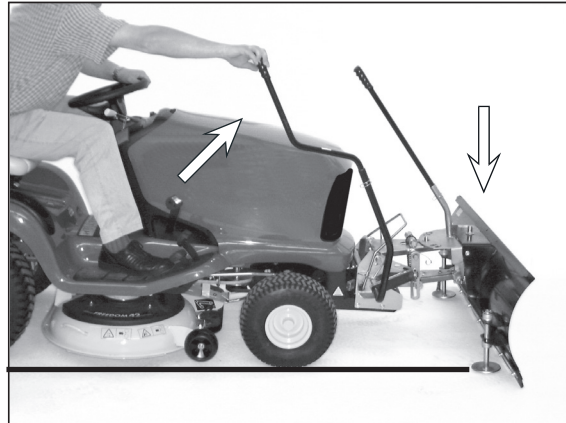
**Uncoupling the shovel blade attachment is the reverse procedure.**

**When uncoupling, hold the shovel blade securely by the lifting lever so that it doesn't tip forwards.**

**7.3 Raising and lowering the shovel blade**



1) To raise the shovel blade attachment, press the lever down.



2) To lower the shovel blade attachment, move the lever up.



**WARNING**

Make sure there are no people or objects in the danger area. Otherwise personal injury or damage to property could result.



**WARNING**

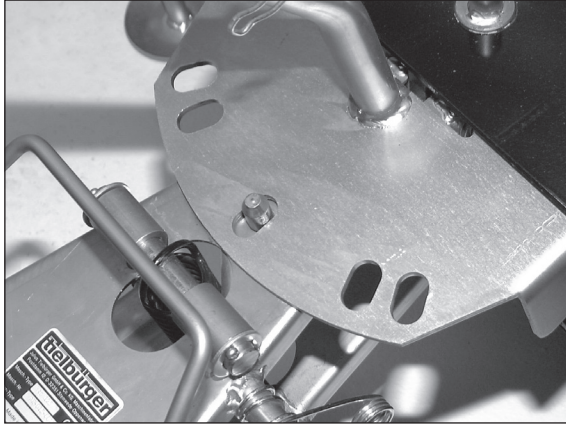
Do not stand in the vicinity of a raised, unsecured shovel blade. When not in use, the shovel blade must be in the fully lowered position.

## 7.4 Angling the shovel blade

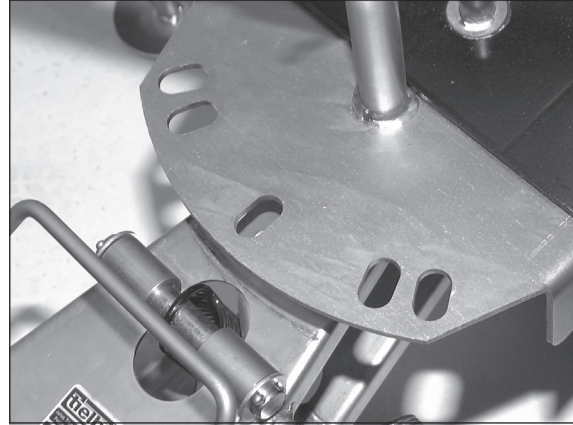


### WARNING

Make sure there are no people or objects in the danger area. Otherwise personal injury or damage to property could result.



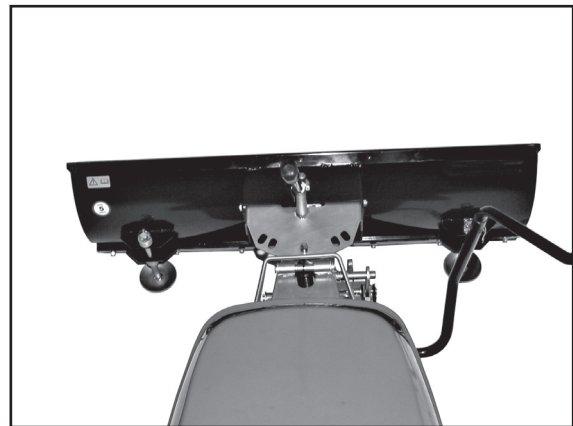
1) Basic setting. Shovel blade facing straight ahead. Pin locks shovel blade in position.



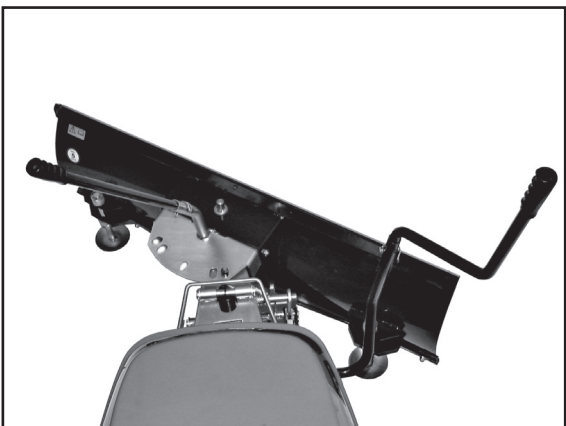
2) Positioner plate with five angle settings. To adjust the blade angle, the operating rod has to be lifted up.



3) Lift the operating rod and turn the shovel blade to the desired angle.



4) This setting is recommended for piling up.



5) Sideways angle settings are suitable for pushing material to the side. Photo shows blade angle set to right.



### WARNING

Do not stand in the vicinity of a raised, unsecured shovel blade. When not in use, the shovel blade must be in the fully lowered position.



## 7.5 Adjusting the height of the skids



### DANGER

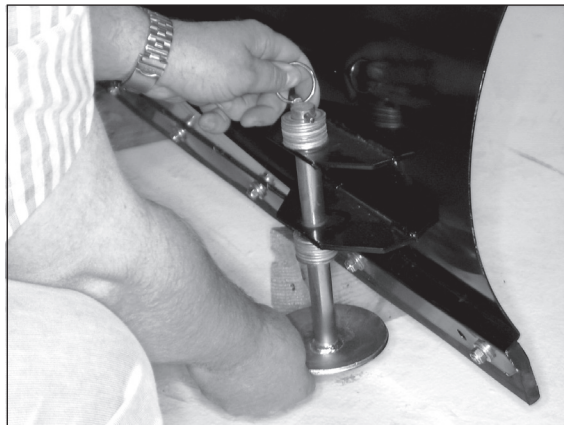
Switch off the engine. Secure the tractor mower to prevent it moving and take precautions to ensure it cannot be started inadvertently.



Read the operating instructions supplied by the tractor mower manufacturer.



1) Raise the shovel blade slightly and place two wooden blocks under the blade.



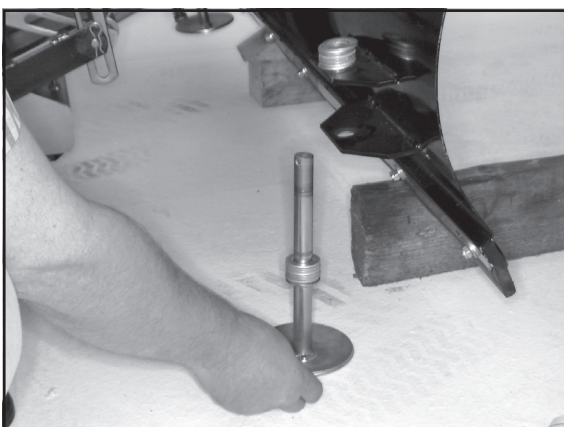
2) Remove folding pin.



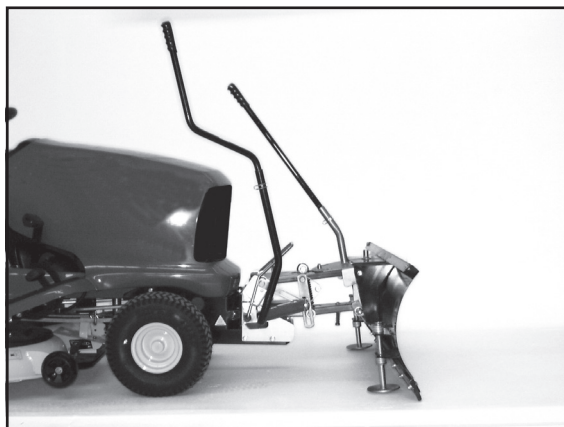
3) Pull skid downwards and remove.



4) The height setting of the skids is adjusted by repositioning the shims.



5) When the skid height has been adjusted, the skid is slid upwards through the guides and secured using the folding pin. Repeat the procedure for the left-hand skid.



6) Raise the shovel blade slightly and remove the wooden blocks. The gap between the ground and the rubber strip should be 2 - 3 mm.



### WARNING

Do not stand in the vicinity of a raised, unsecured shovel blade. When not in use, the shovel blade must be in the fully lowered position.

## 7.6 Fitting wheels (optional extra)

Favourably for sensitive surfaces.

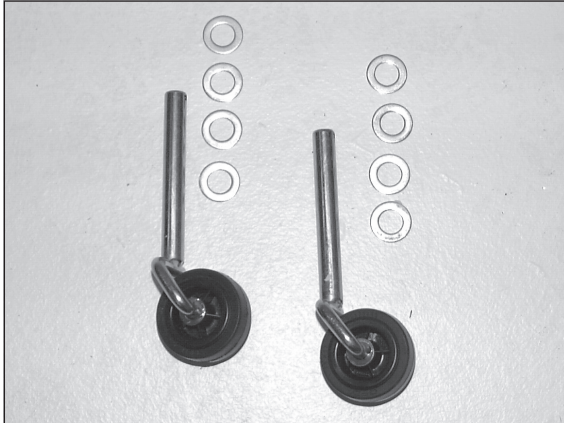


### DANGER

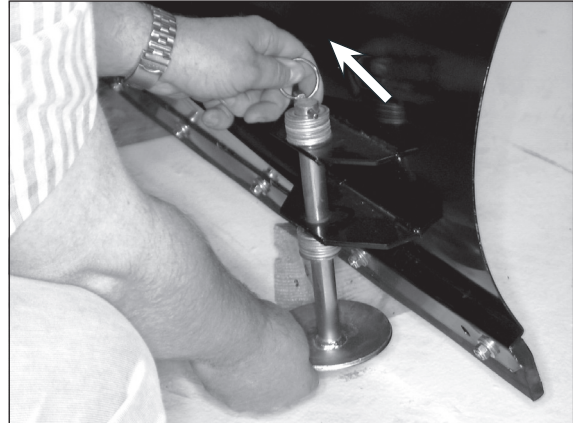
Switch off the engine. Secure the tractor mower to prevent it moving and take precautions to ensure it cannot be started inadvertently.



Read the operating instructions supplied by the tractor mower manufacturer.



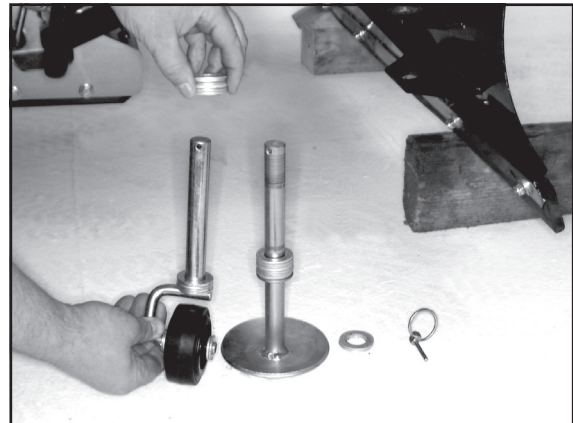
1) Wheels and shims.



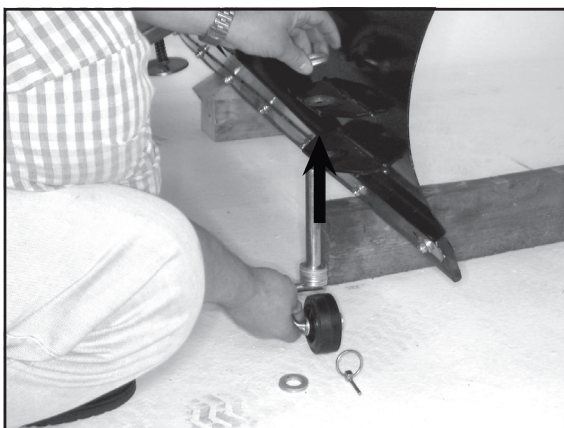
2) Raise shovel blade. Remove folding pin.



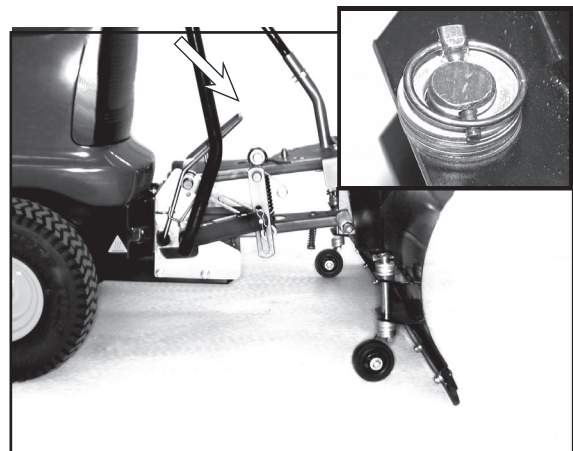
3) Pull skid downwards and remove.



4) Remove shims from skids and fit to wheels.



5) Slide wheel upwards through the guides. Repeat the procedure for the left-hand wheels.



6) Secure wheel with folding pin. The gap between the ground and the rubber strip should be 2 - 3 mm.



### WARNING

Do not stand in the vicinity of a raised, unsecured shovel blade. When not in use, the shovel blade must be in the fully lowered position.

## 7.7 Safety folding mechanism



### WARNING

The safety folding mechanism only functions with obstructions with a maximum height of 7 cm. Observe maximum speed of 5 km/h!

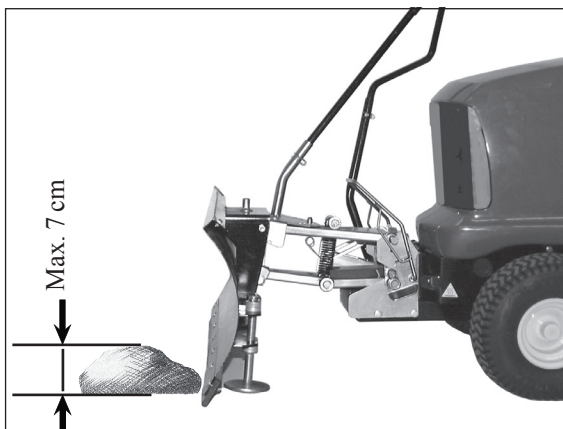
The shovel blade is fitted with a safety folding mechanism. It is intended to prevent injury to the driver and damage to the tractor mower if the blade strikes an obstruction. Compared to other safety systems on shovel blades, the force transmitted to the driver and tractor mower is substantially smaller.

Please note that this is an emergency device. Do not therefore drive carelessly, always think ahead and look out for obstructions such as manhole covers, edging stones and tree stumps, etc.



### DANGER

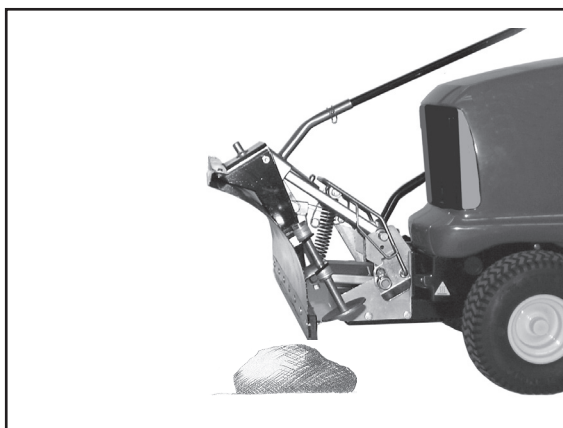
If the shovel blade does not return to its original position after striking an obstruction, attempt to raise it using the lifting lever. Do not reach inside the safety folding mechanism as there is a risk of your fingers/hand becoming trapped.



1) Shovel blade strikes an obstruction.



2) Shovel blade lower edge folds back. Safety folding mechanism disengaged.



3) The blade also lifts upwards from the ground.



4) The angle setting mechanism is released and the shovel blade clears the obstacle.

## 8 Service and maintenance

### 8.1 Fundamental safety instructions

Observe the adjusting, maintenance and inspection activities and intervals set out in the operating instructions, including information on the replacement of parts and equipment. These activities may be executed by skilled personnel only. See maintenance schedule. Brief operating personnel before beginning special operations and maintenance work, and appoint a person to supervise the activities.

In any work concerning the operation, conversion or adjustment of the machine and its safety-oriented devices or any work related to maintenance, inspection and repair, always observe the start-up and shut-down procedures set out in the operating instructions and the information on maintenance work. Ensure that the maintenance area is adequately secured.

If the machine is completely shut down for maintenance and repair work, it must be secured against inadvertent starting by:

- removing the ignition key
- attaching a warning sign to the ignition unit.

Carry out maintenance and repair work only if the machine is positioned on stable and level ground and has been secured against inadvertent movement and buckling.

To avoid the risk of accidents, individual parts and large assemblies being moved for replacement purposes should be carefully attached to lifting tackle and secured. Use only suitable and technically perfect lifting gear and suspension systems with adequate lifting capacity. Never work or stand under suspended loads. Never use machine parts as a climbing aid.

Keep all handles and steps free from dirt, snow and ice. Clean the machine, especially connections and threaded unions, of any traces of oil, fuel or preservatives before carrying out maintenance/repair. Never use aggressive detergents. Use lint-free cleaning rags.

Before cleaning the machine with water, high-pressure cleaner or detergents, cover or tape up all openings which - for safety and functional reasons - must be protected against water, steam or detergent penetration. Special care must be taken with electric motors and other components under voltage.

After cleaning, remove all covers and tapes applied for that purpose.

After cleaning, examine all fuel and oil lines for leaks, loose connections, chafe marks and damage. Any defects found must be rectified without delay.

Always tighten any screwed connections that have been loosened during maintenance and repair.

Any safety devices removed for set-up, maintenance or repair purposes must be refitted and checked immediately upon completion of the maintenance and repair work.

Ensure that all consumables and replaced parts are disposed of safely and with minimum environmental impact.

The electrical equipment of machines is to be inspected and checked at regular intervals. Defects such as loose connections or scorched cables must be rectified immediately.

Before starting work on high-voltage assemblies and after cutting out the power supply, the power cable must be grounded and components such as capacitors short-circuited with a grounding rod.

Never leave internal combustion engines to run in a closed or small room. The exhaust gas contains poisonous carbon monoxide.

Observe the regulations in force at the respective site. Carry out welding, flame-cutting and grinding work on the machine only if this has been expressly authorized, i.e. there may be a risk of fire or explosion!

Before carrying out welding, flame-cutting and grinding operations, clean the machine and its surroundings from dust and other inflammable substances and make sure that the premises are adequately ventilated (risk of explosion).

Check all lines, hoses and screwed connections regularly for leaks and obvious damage. Repair damage immediately. Splashed oil may cause injury and fire. During operation, all sound baffles must be closed. Always wear the prescribed ear protectors. When handling oil, grease and other chemical substances, observe the product-related safety regulations.

Be careful when handling hot consumables (risk of burning or scalding).



#### IMPORTANT

Pay attention to the following:

- fuel and oil leaks, rectify if necessary
- snug fit of bolts and nuts, tighten if necessary
- ease of movement of all moving parts, lubricate if necessary

## 8.2 Service schedule

	Before using,	After every ... hours of service					At least every 3 months	At least once a year	After cleaning, always ...
		5	10	25	50	100			
Check bolts and nuts			K						
Check engine air filter and clean if necessary	K								
F = Serviced by specialist dealer K = Checked by operator W = Serviced by operator									



### IMPORTANT

Observe the manufacturer's servicing instructions for the tractor mower.

## 9 Possible faults and their elimination



### IMPORTANT

Should a fault occur that is not listed in this table, consult a specialized dealer. If all remedies described here have been unsuccessful, consult a specialized dealer.



### IMPORTANT

Use only original spare parts from the manufacturer that are available from your specialized dealer. These will ensure that the machine functions correctly.

Fault	Remedy
Tyres spin	Set shovel blade at greater angle. Fit snow chains.
Shovel blade leaves too much snow behind	Adjust the height of the skids.

## 10 Terms of Guarantee

The manufacturer's terms of guarantee are valid in the territory of the Federal Republic of Germany.

This guarantee applies if the appliance is used correctly in accordance with its intended purpose, if it is treated in a proper manner and if the information contained in the operating instructions is followed.

This guarantee does not cover damage arising as a result of normal wear and tear of working parts; such as

filter elements, spark plugs, tyres, light bulbs, friction linings, fan belts, blades, improper treatment, negligent use, installation of non-original spare parts, insufficient care and/or maintenance, or non-compliance with the operating instructions.

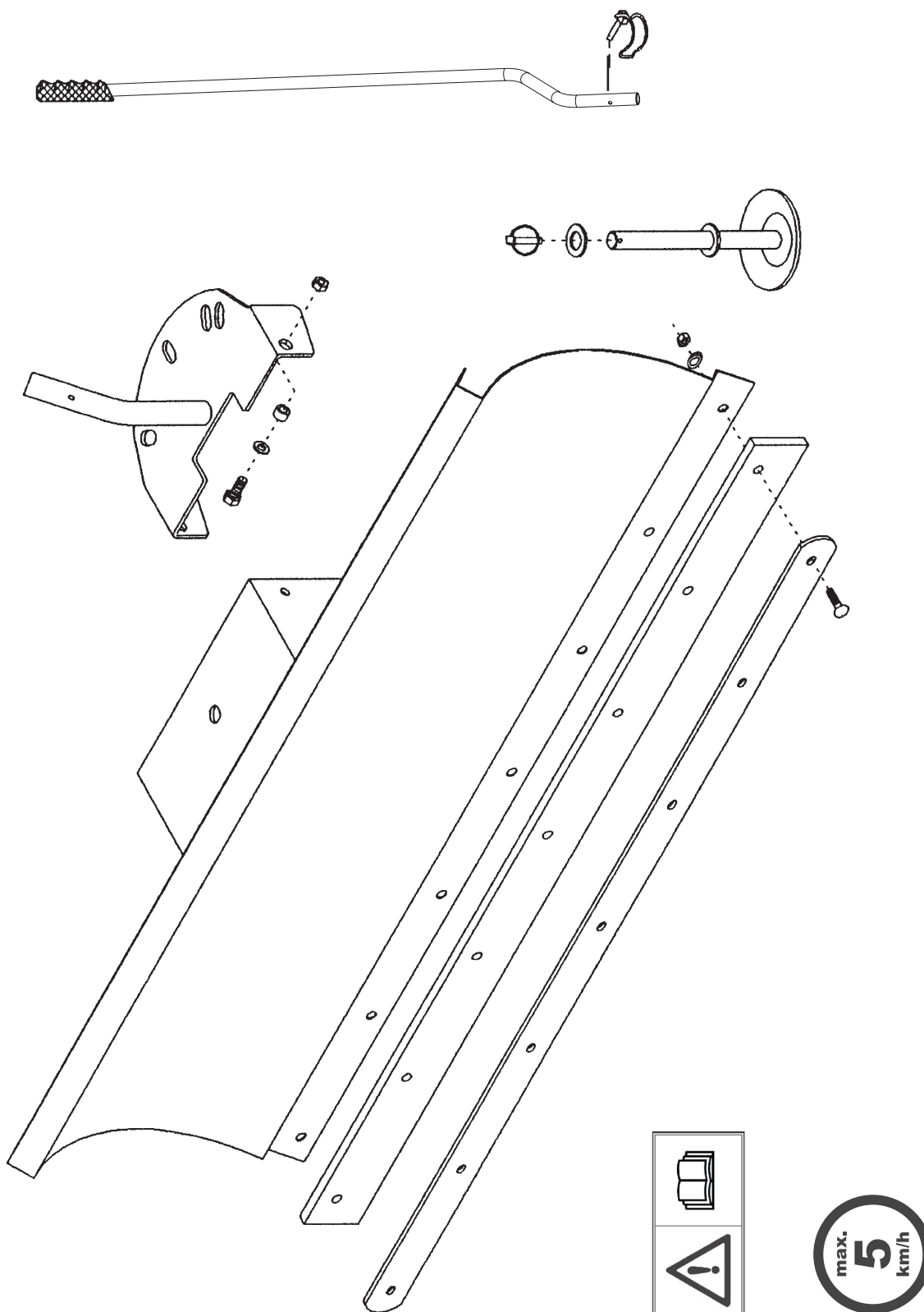
Outside the Federal Republic of Germany, the terms of guarantee published by our local state agency apply.

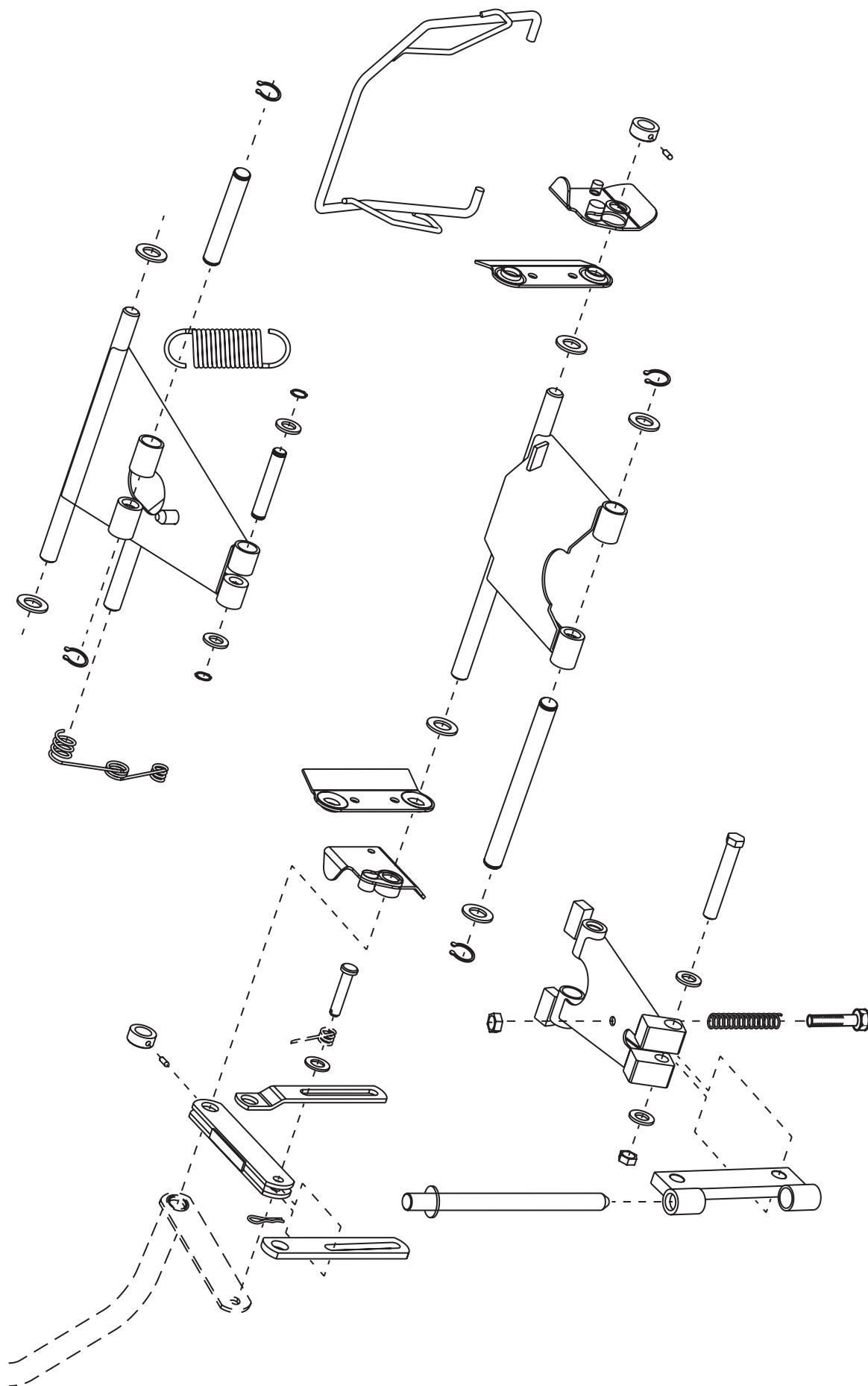
## 11 Spare parts list



### Important

Under „remarks“ you will be able to identify the parts. Please use only genuine spare parts of the manufacturer. Only this way, a safe operation of the machine is guaranteed. Item numbers in parentheses are wearing parts.





## 12 Manufacturer's declaration

Manufacturer: **Julius Tielbürger GmbH & Co.KG**  
**Maschinenfabrik**  
**Postdamm 12**  
**D-32351 Stemwede-Oppenwehe**

**Note:**

**Combined with the Tielbürger system, the device described in this instruction manual conforms to the definition of interchangeable equipment in accordance with the Machinery Directive 2006/42/EC.**

**The device may only be used as described in this instruction manual.**

**It is prohibited to use this device in any way not described in this instruction manual! The conformity declaration is documented in the instruction manual for the corresponding Tielbürger system.**

KR-392-002GI