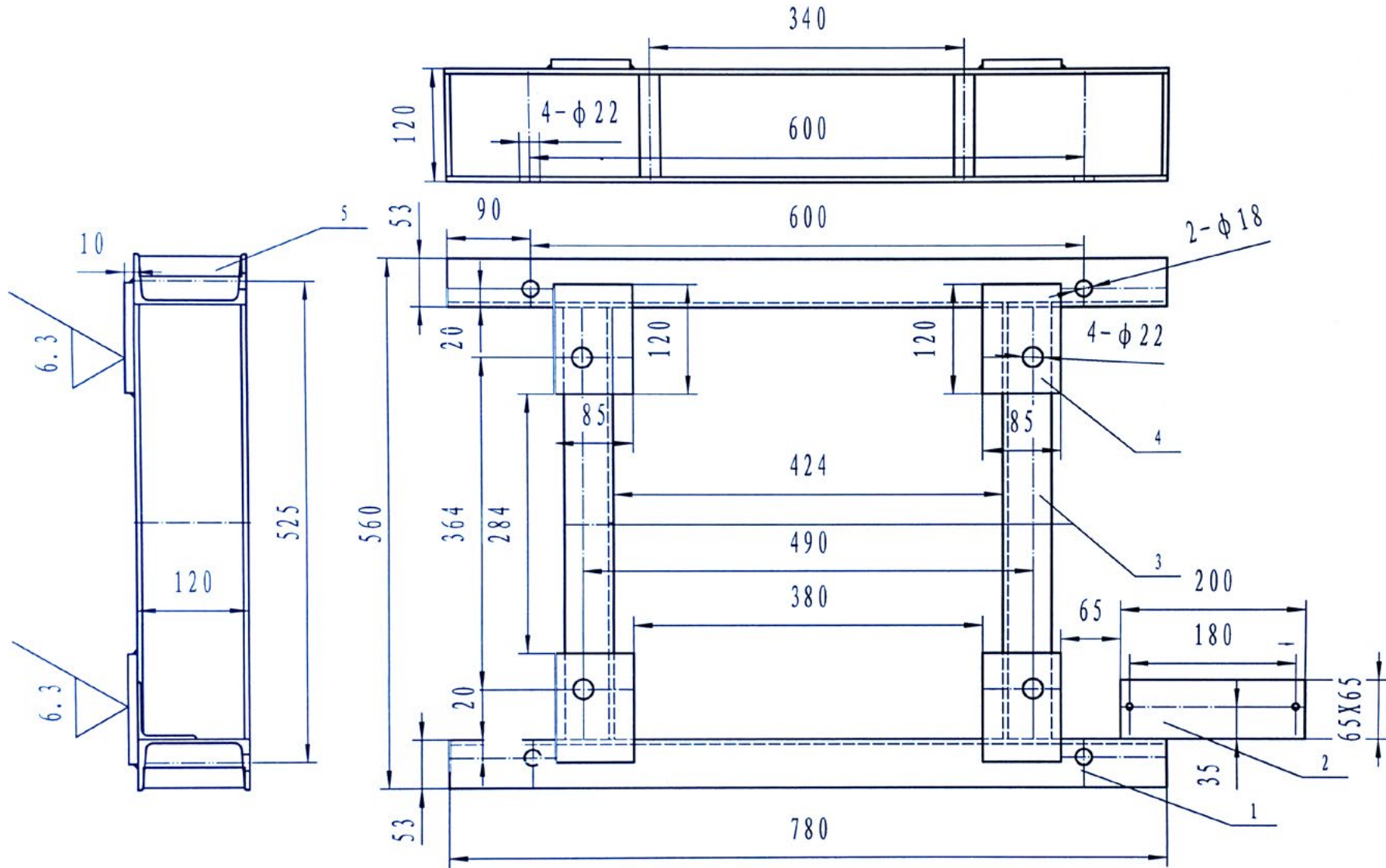




2200 KDJ AC WINCH DIAGRAM



VALUE WITHOUT COMPROMISE